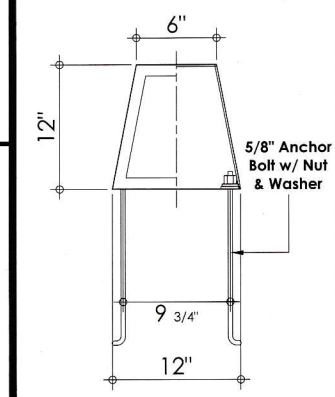
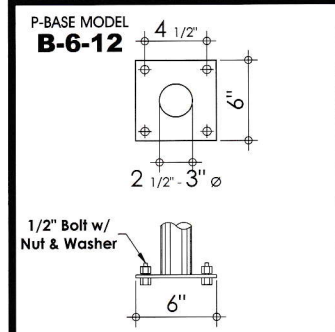
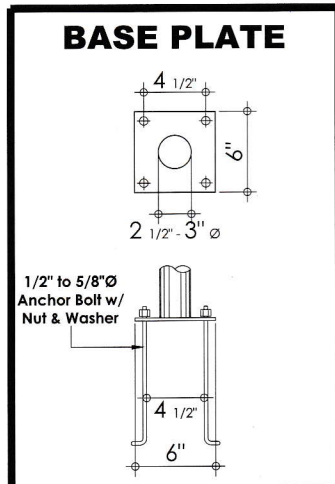
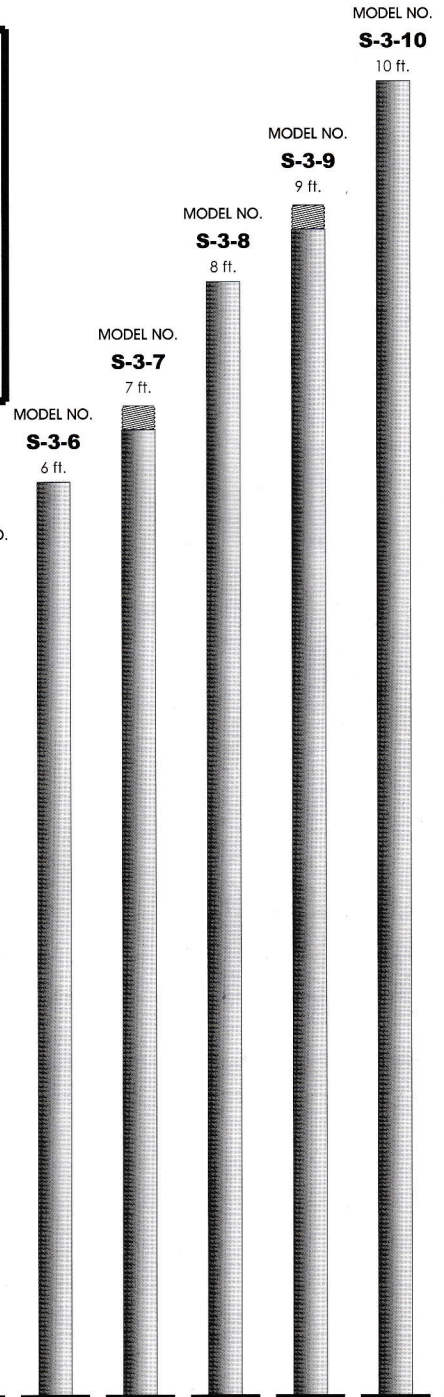
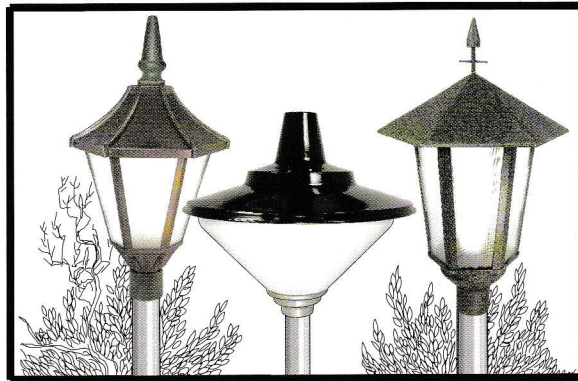
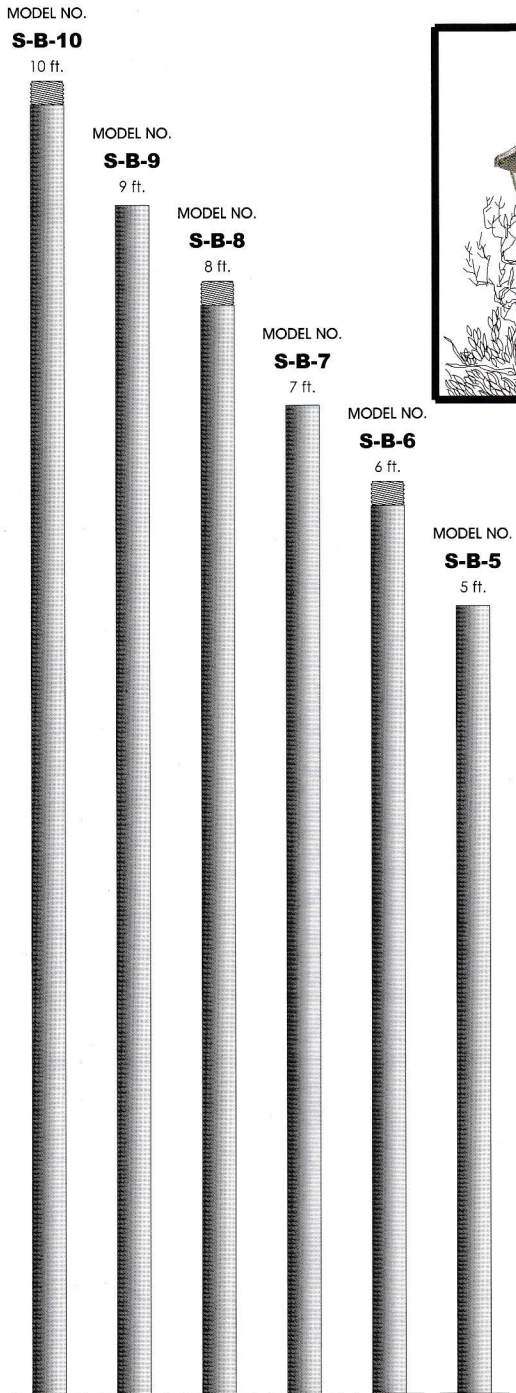


2 1/2"Ø & 3"Ø PIPE STRAIGHT STEEL POST & ACCESSORIES



PEDESTAL BASE

2 1/2"Ø PIPE STRAIGHT STEEL POST

Zinc electro-galvanized straight steel lamp post and pedestal base, coated with red oxide and enamel paint finish. Complete with anchor bolts, bolts, nuts and washer.

Available in Aluminum paint, Copper antique powder coating finish and wrinkle black baking enamel finish.

3"Ø PIPE STRAIGHT STEEL POST

Specification other than the above standard models are made to order.