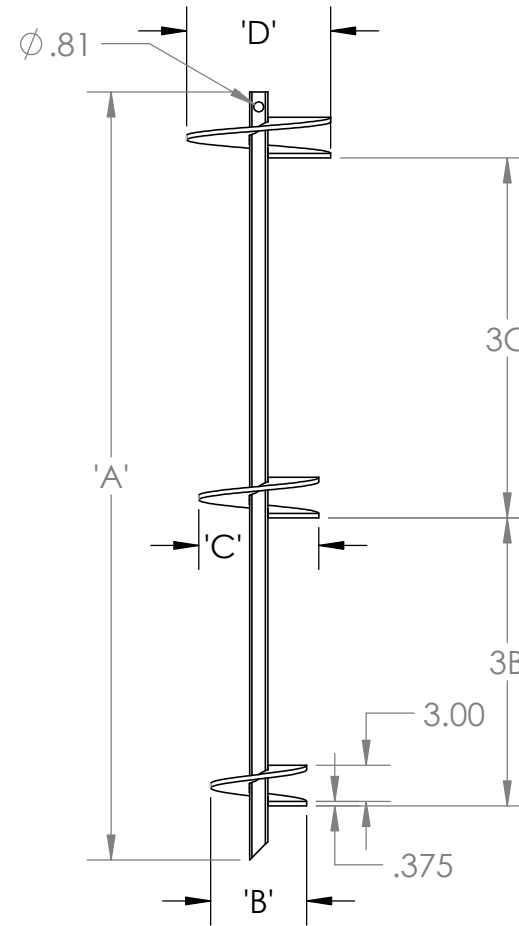


DOUBLE FLIGHT



TRIPLE FLIGHT

PART NUMBER	'A'	'B'	'C'	'D'	WEIGHT (LBS)
G6632	3'	8"	10"	-	36
G6634	3.5'	8"	10"	-	40
G6636	5.5'	8"	10"	12"	66
G6637	7'	10"	12"	14"	89

**Notes:**

- 1) All dimensions in inches.
- 2) Galvanized post fabrication.

**Unless otherwise noted:**  
 All dimensions are in inches  
 Degrees: +/- 5.0  
 0 place decimal: +/- 0.1  
 1 place decimal: +/- 0.01  
 2 place decimal: +/- 0.03

REV	REV DATE	ECR #



**MATERIAL:** 1-1/2" ROUND CORNERED SQUARE STEEL BAR & 3/8" STEEL PLATE

POWER-GRIP SQUARE SHAFT ANCHOR

**P/N:** POWER-GRIP SQUARE SHAFT ANCHOR - DATA SHEET

**WEIGHT:** SEE TABLE

**Date:** 10/6/2022

**DRAWN BY:** JM

**Rev:** A