

Solid Door Refrigerators & Freezers



CR1-19 / CF1-19



CR2-35 / CF2-35

Model	Size
CR1-19	19 Cu-Ft
CR2-35	35 Cu-Ft
CF1-19	19 Cu-Ft
CF2-35	35 Cu-Ft

STANDARD FEATURES

- CFC Free Refrigerant and foam
- Solid state thermostat with digital display
- Stainless steel front and sides
- Field reversible 1-door units
- Heating element concealed in door frame to eliminate any condensation
- Self closing doors remain open past 90°
- Non twist solid mullions on 2 & 3 door units
- Environmentally friendly HFC 134A and 404A
- EZ slide out condenser
- Stainless steel door handle
- Whisper quiet
- Solid construction
- Holds sheet pans front to back
- High efficiency polyurethane insulation
- Zero clearance back and sides

REFRIGERATION / FREEZERS

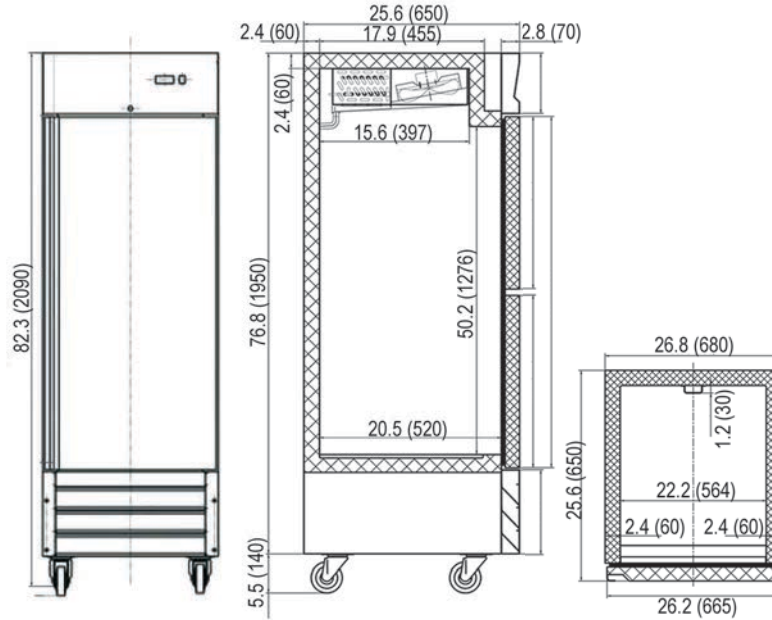
Items	Description	Items	Description
Front, Top & Sides	430 Stainless steel	Temperature control	Solid State T-stat with Digital Display
Door	430 Stainless steel	Comply to standard	ANSI / NSF-7
External back	430 Stainless steel	Refrigerating system	Capillary tube
Cabinet internal	Powder Coated Aluminum	Refrigerant	(CR) R134a (CF) R404a
Internal floor	304 Stainless steel	Temperature Range	(CR) 33°F — 40°F (CF) -10°F
Insulation	Polyurethane (CFC free)	Evaporator/Condenser	Aluminum + Copper
Shelves	Heavy duty, PVC coating – 3 or 4 layers	Condensing unit	Bottom Mounted



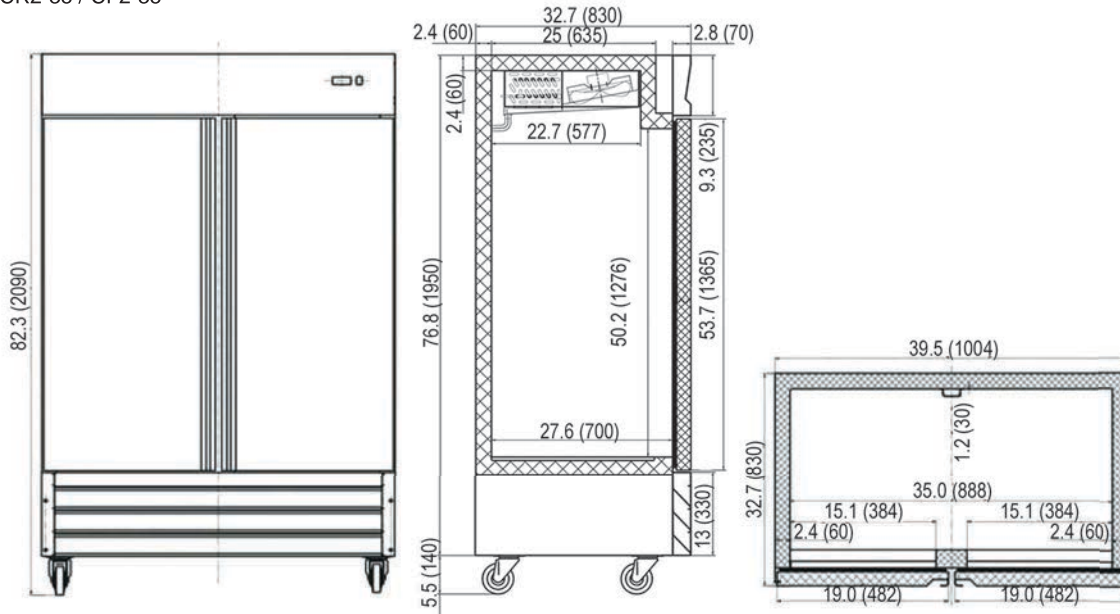


DETAILS AND DIMENSIONS

CR1-19 / CF1-19



CR2-35 / CF2-35



Model	Doors	Storage CAP (Cu-ft)	Shelves	Cabinet Dim (in) External			HP	Voltage /Hz /ph	Amp	NEMA Plug	Cord Lgth (ft)	Crated Weight (lbs)
				W	D	H						
CR1-19	1	19	3	26.8	25.6	82.3	3/8	115/60/1	6	5-15P	10	291
CF1-19	1	19	3	26.8	25.6	82.3	5/8	115/60/1	11	5-15P	10	295
CR2-35	2	35	6	39.5	32.7	82.3	1/2	115/60/1	9	5-15P	10	412
CF2-35	2	35	6	39.5	32.7	82.3	1	115/60/1	12	5-15P	10	419