

MASON BEE HOME ASSEMBLY INSTRUCTIONS

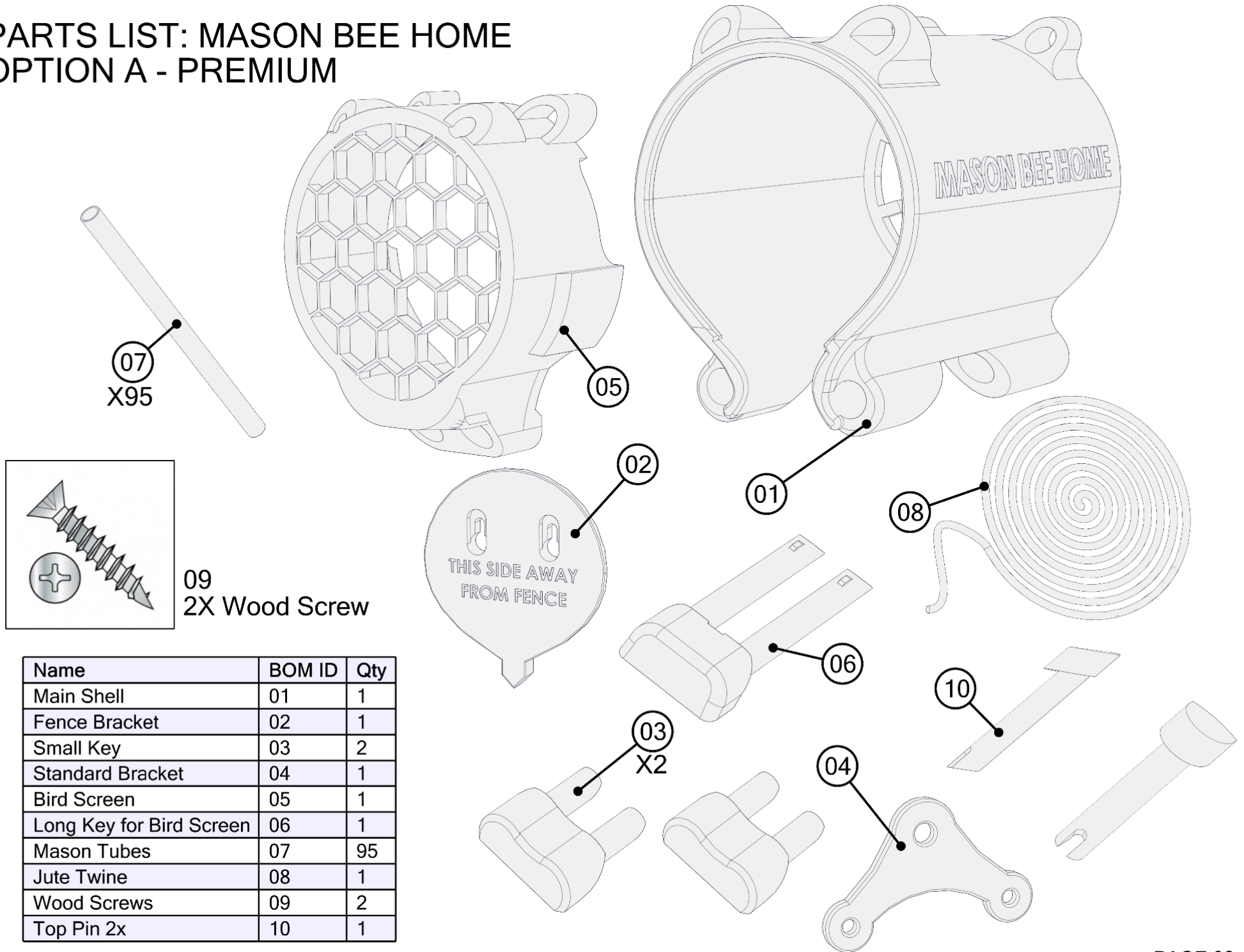


HANG IT

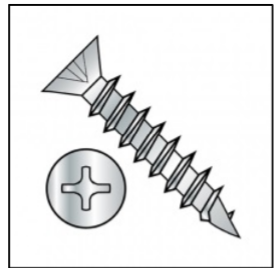


MOUNT IT

PARTS LIST: MASON BEE HOME OPTION A - PREMIUM



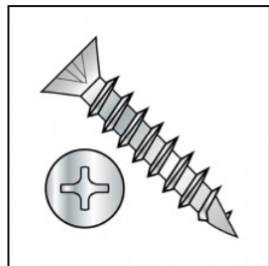
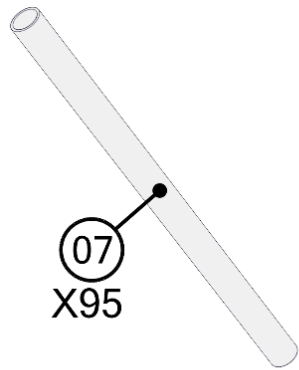
07
X95



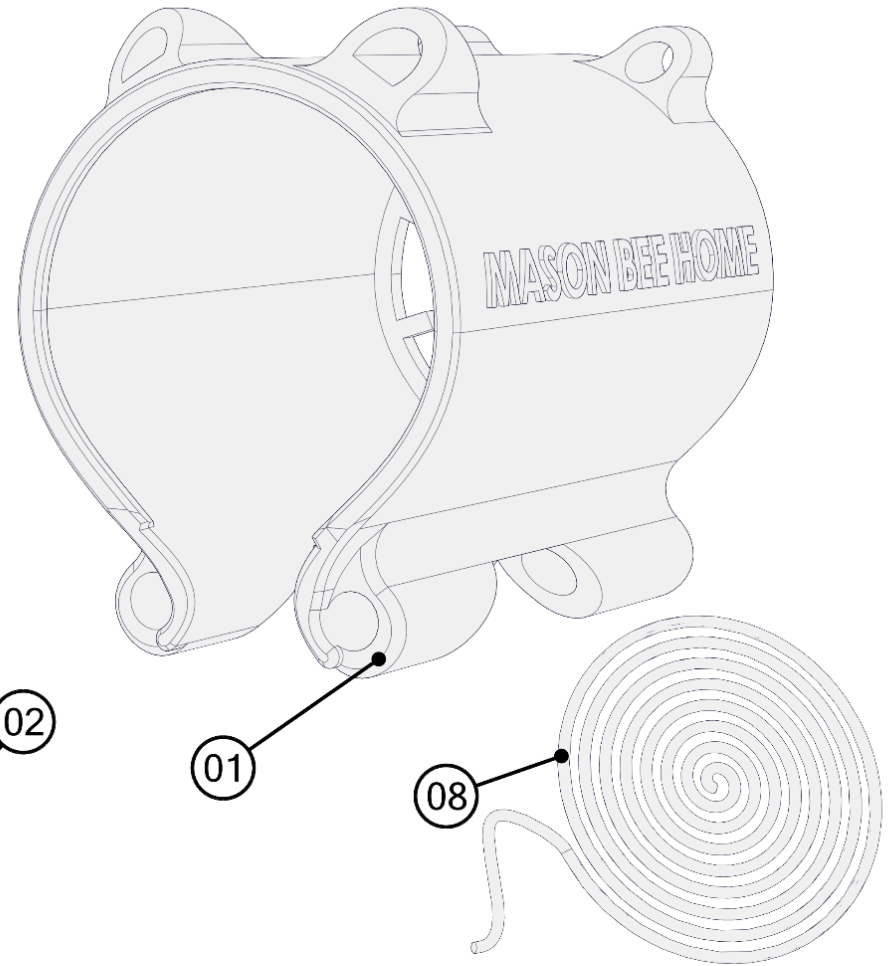
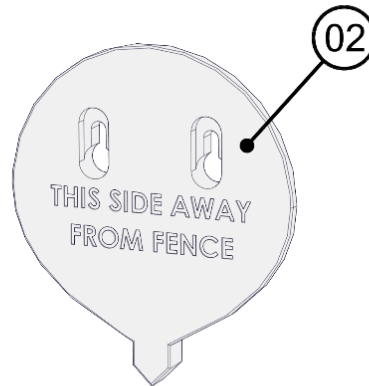
09
2X Wood Screw

Name	BOM ID	Qty
Main Shell	01	1
Fence Bracket	02	1
Small Key	03	2
Standard Bracket	04	1
Bird Screen	05	1
Long Key for Bird Screen	06	1
Mason Tubes	07	95
Jute Twine	08	1
Wood Screws	09	2
Top Pin 2x	10	1

PARTS LIST: MASON BEE HOME OPTION B - No Bird Screen



09
2X Wood Screw



01

08

03
X2

04

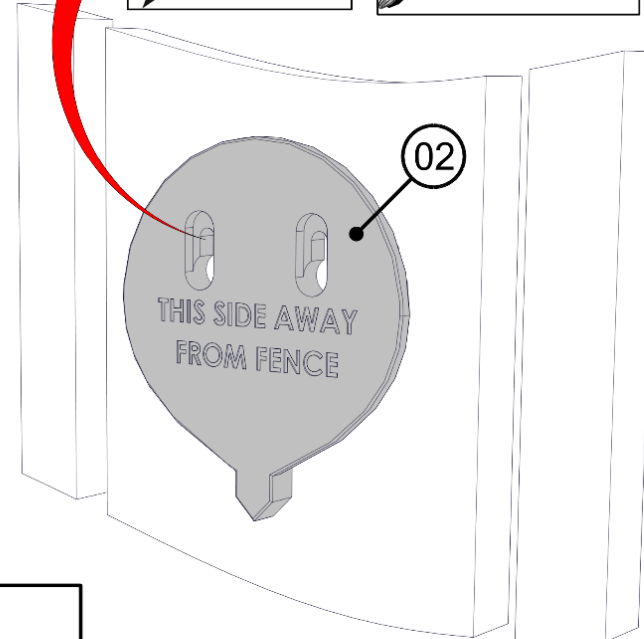
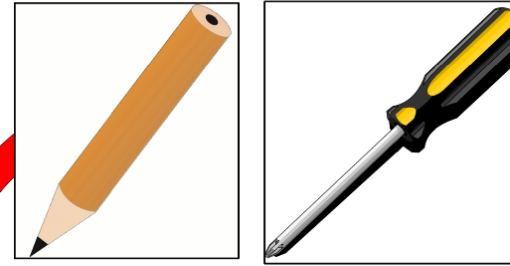
Name	BOM ID	Qty
Main Shell	01	1
Fence Bracket	02	1
Small Key	03	2
Standard Bracket	04	1
Bird Screen	05	1
Mason Tubes	07	95
Jute Twine	08	1
Wood Screws	09	2

ASSEMBLY: MASON BEE HOME
ALL OPTIONS
STEP 01 - Install attachment hardware

Place 02 Fence Bracket onto fence or other vertical surface and mark location of both holes *A1.

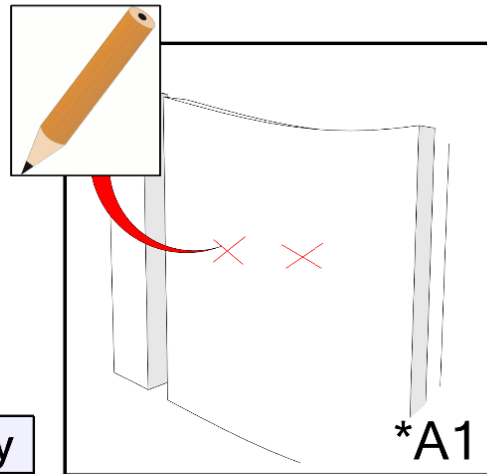
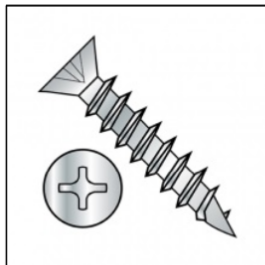
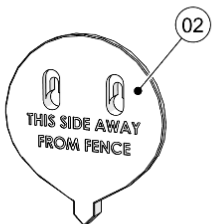
Remove 02 Fence Bracket from fence. Using a phillips screwdriver attach both provided 09 Wood Screws. Be sure to allow enough space on screws so that the Fence Bracket slides on easily and snug.

TOOLS REQUIRED



*FENCE SHOWN FOR REFERENCE
 *FENCE TEMPLATE ALSO INCLUDED

PARTS REQUIRED



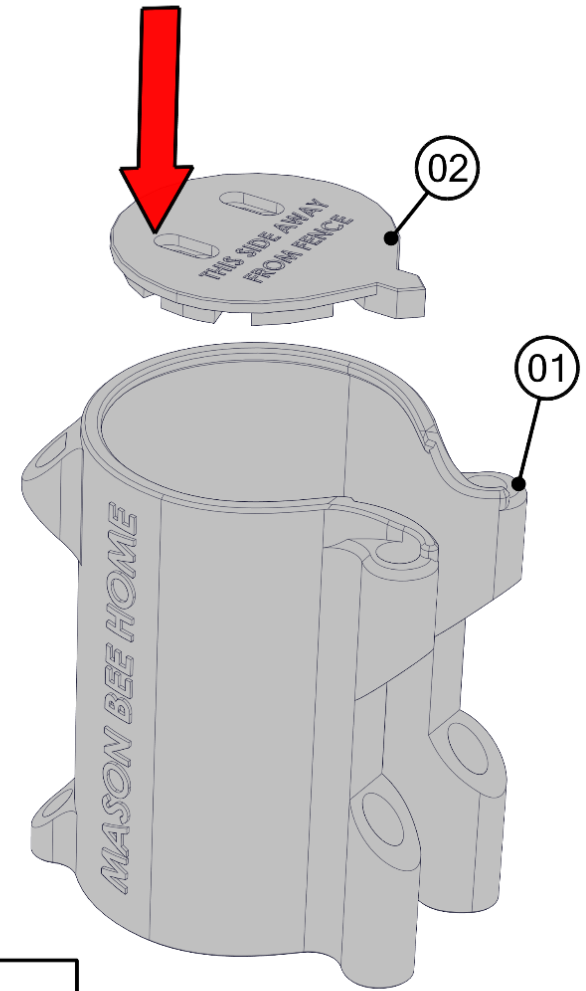
Name	BOM ID	Qty
Fence Bracket	02	1
Wood Screws	09	2

**Skip this step if you plan to hang your Mason Bee Home using the provided twine.

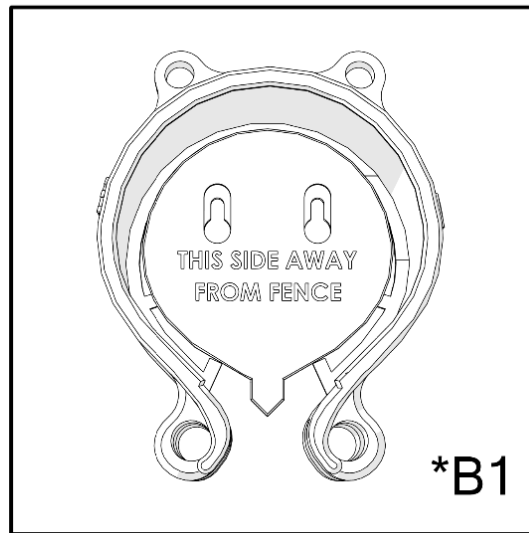
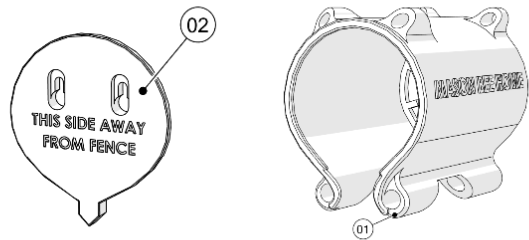
ASSEMBLY: MASON BEE HOME
 ALL OPTIONS
 STEP 02 - Insert Fence Bracket

Place 01 Main Shell so that the front of the house is pointing up.

Slide 02 Fence Bracket into 01 Main Shell so that the text 'this side away from fence' is also pointing up. The bottom of the Fence Bracket should fit snug between the grooves of the Main Shell *B1.



PARTS REQUIRED



Name	BOM ID	Qty
Main Shell	01	1
Fence Bracket	02	1

*B1

ASSEMBLY: MASON BEE HOME

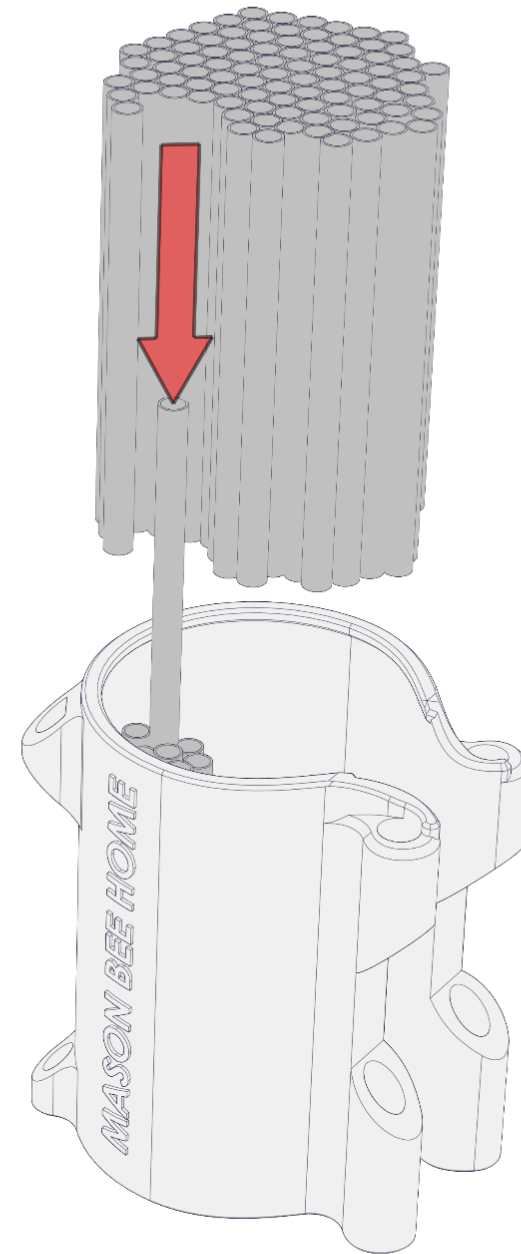
ALL OPTIONS

STEP 03 - Insert Mason Tubes

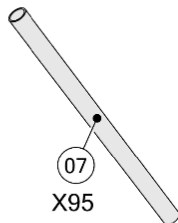
Keeping assembly 01/02 placed vertical start inserting 07 Mason Tubes into the opening at the top.

Place each tube vertically until all 95 tubes are used. It's helpful to tip the 01/02 assembly slightly backwards to keep the tubes from falling over during placement. *B2

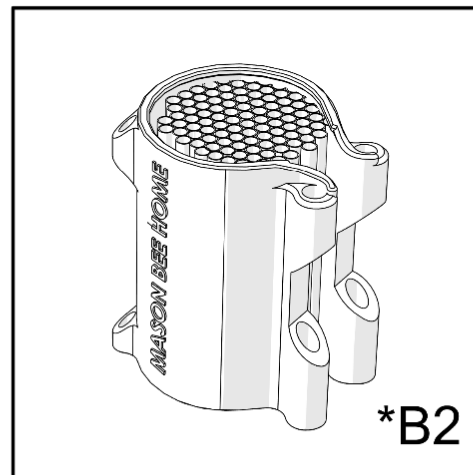
For option C, Mason Tubes are not included. Qty may need to be adjusted depending on size.



PARTS REQUIRED



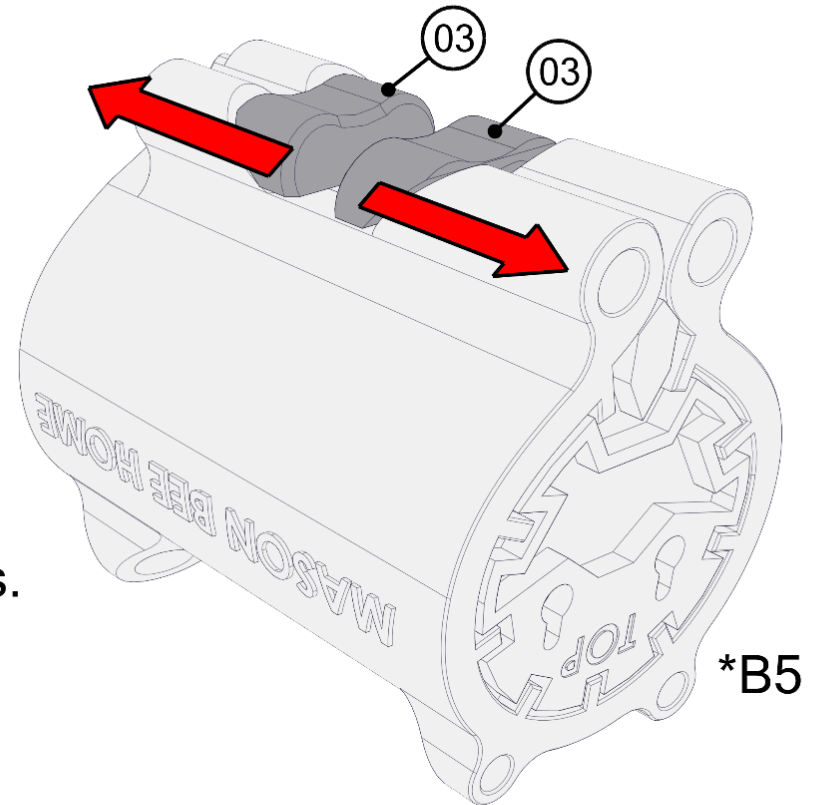
Name	BOM ID	Qty
Mason Tubes	07	95



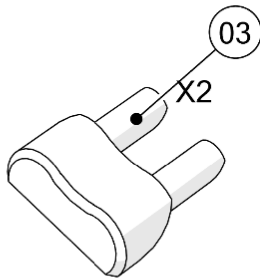
ASSEMBLY: MASON BEE HOME
 ALL OPTIONS
 STEP 04 - Compress and insert Keys

Gently squeeze the bottom of the shell so that the two sides touch *B3. Be sure to allow tubes to shift into place, they should fit snug without being crushed *B4.

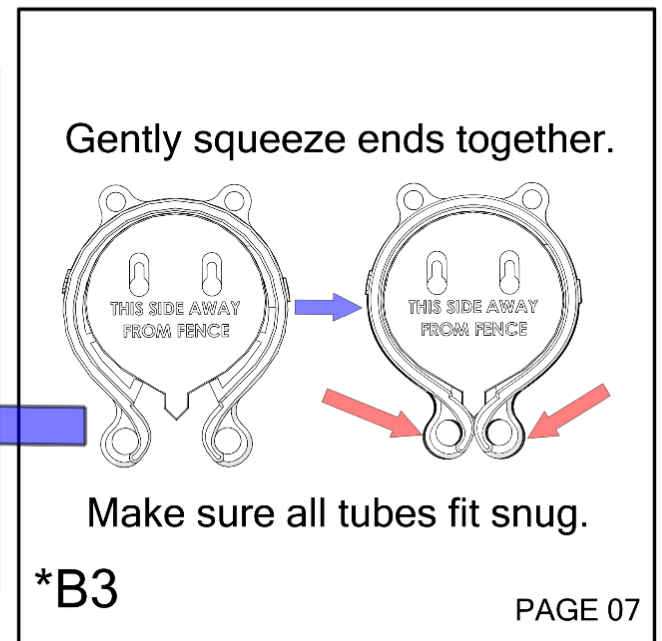
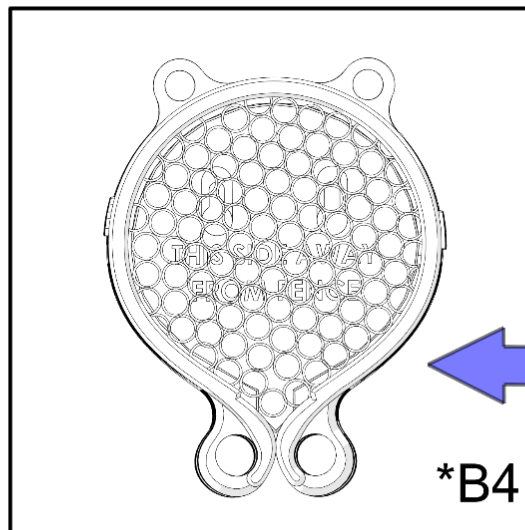
Insert one 03 Key in the back two keyholes and the other 03 Key in the forward keyholes. Keys should be inserted all the way *B5.



PARTS REQUIRED



Name	BOM ID	Qty
Small Key	03	2



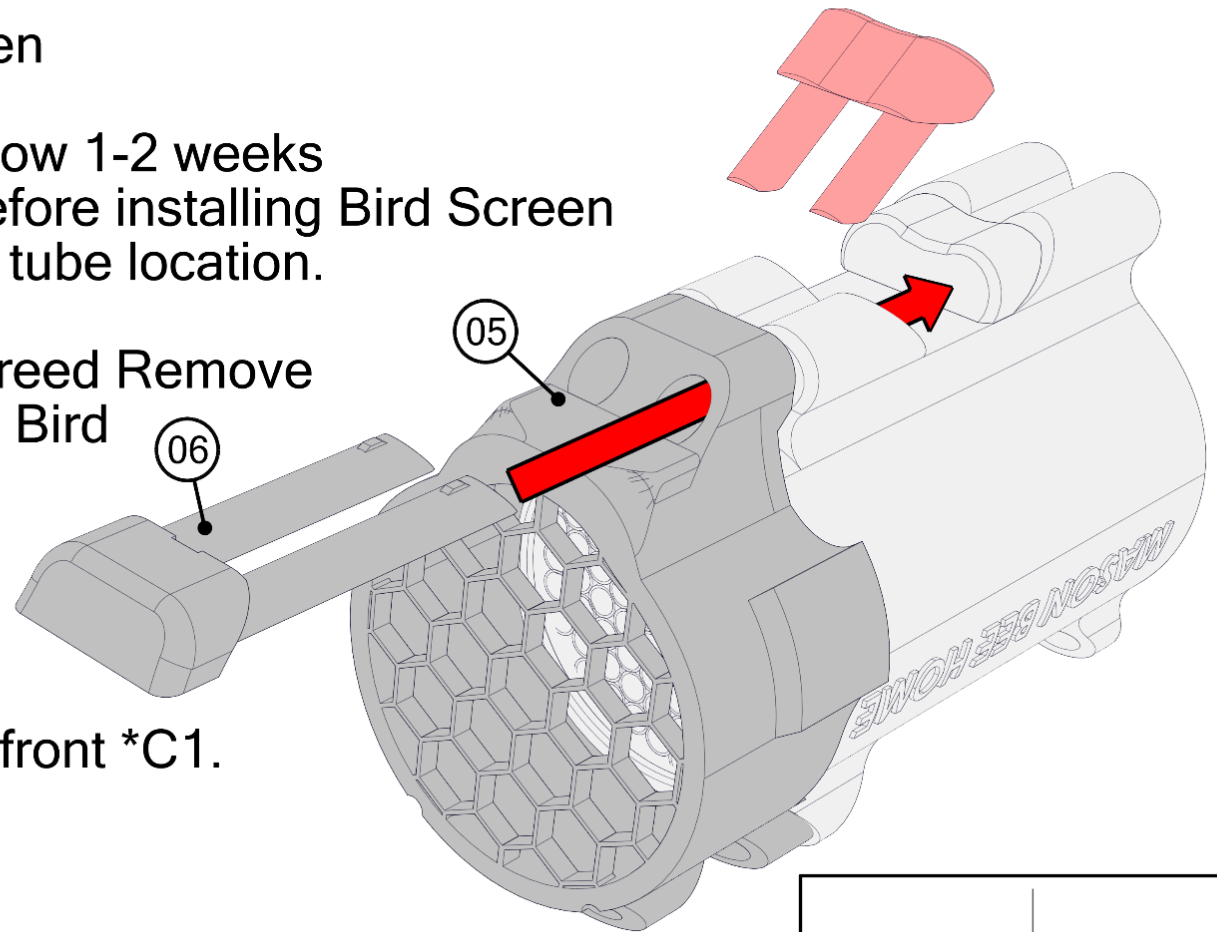
**ASSEMBLY: MASON BEE HOME
FOR OPTION A
STEP 05a - Install Bird Screen**

Skip this step for now and allow 1-2 weeks after Mason Bees emerge before installing Bird Screen so the females can establish tube location.

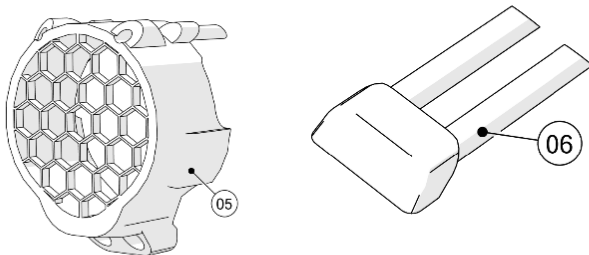
Once ready to install Bird Screen Remove front 03 Small Key. Install 05 Bird Screen so that the the larger holes on the screen line up with holes on the bottom of the Main Shell.

Install 06 Long Key from the front *C1.

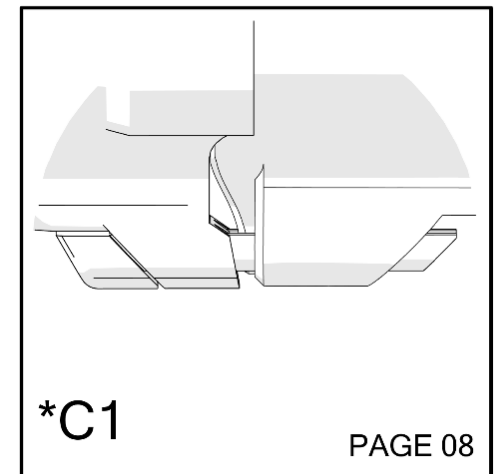
REMOVE FRONT KEY
KEEP FOR NEXT SEASON



PARTS REQUIRED



Name	BOM ID	Qty
Bird Screen	05	1
Long Key for Bird Screen	06	1

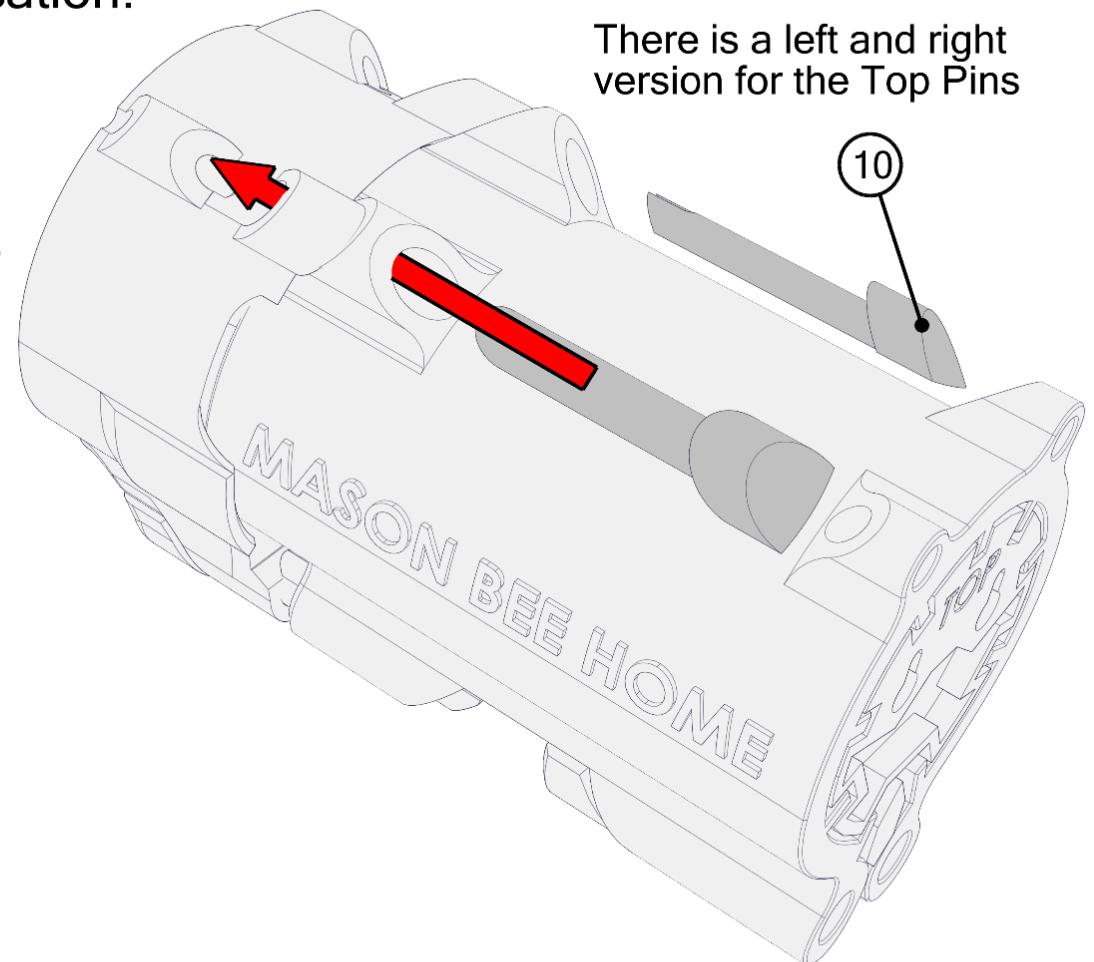


*C1

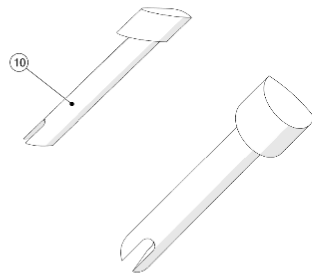
ASSEMBLY: MASON BEE HOME FOR OPTIONS A STEP 05b - Install Bird Screen

Skip this step for now and allow 1-2 weeks after Mason Bees emerge before installing Bird Screen so the females can establish tube location.

Insert both 10 Top Pins to secure the Bird Screen to the Main Shell
There is a left and right side Top Pin
They should install snug and contour to the holes in the Main Shell.



PARTS REQUIRED



Name	BOM ID	Qty
Top Pin 2x	10	1

ASSEMBLY: MASON BEE HOME ALL OPTIONS

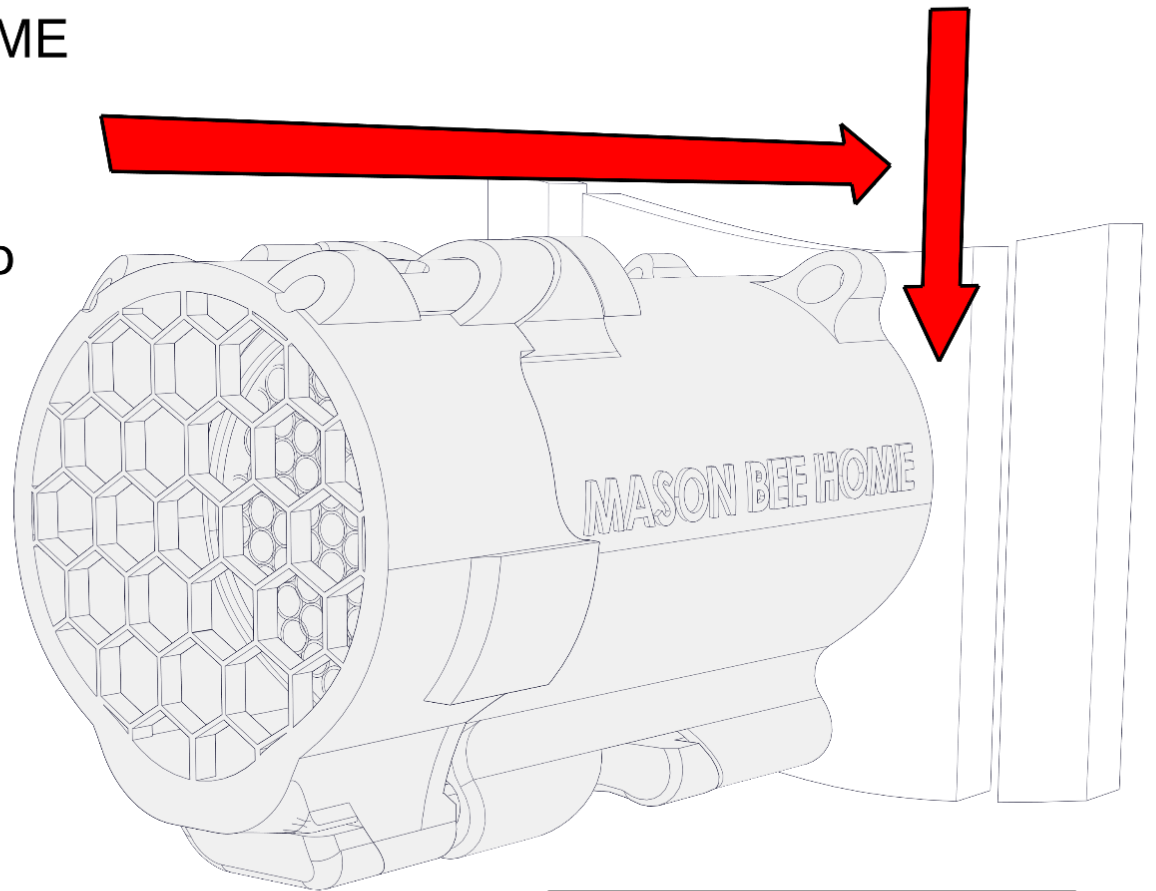
Last Step - Fence Installation

Skip to next step if you intend to hang using twine.

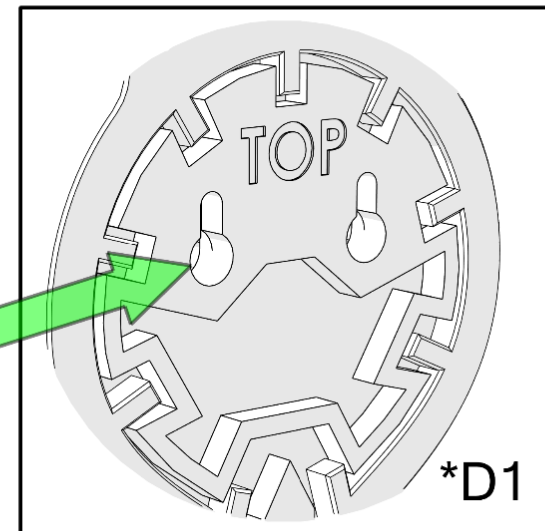
Using screw placement from step 01, insert completed Mason Bee Home assembly.

The back of the home has keyhole slots *D1. They should line up with the installed screws. The back of the home should easily press against the fence and then slide down into location.

The final fit should be snug. Do not force this step. If installation is difficult or if the home is loose, adjust screws and try again.



Keyhole slots shown at back of home



ASSEMBLY: MASON BEE HOME
ALL OPTIONS
 Alternative Last Step - Hanging Installation

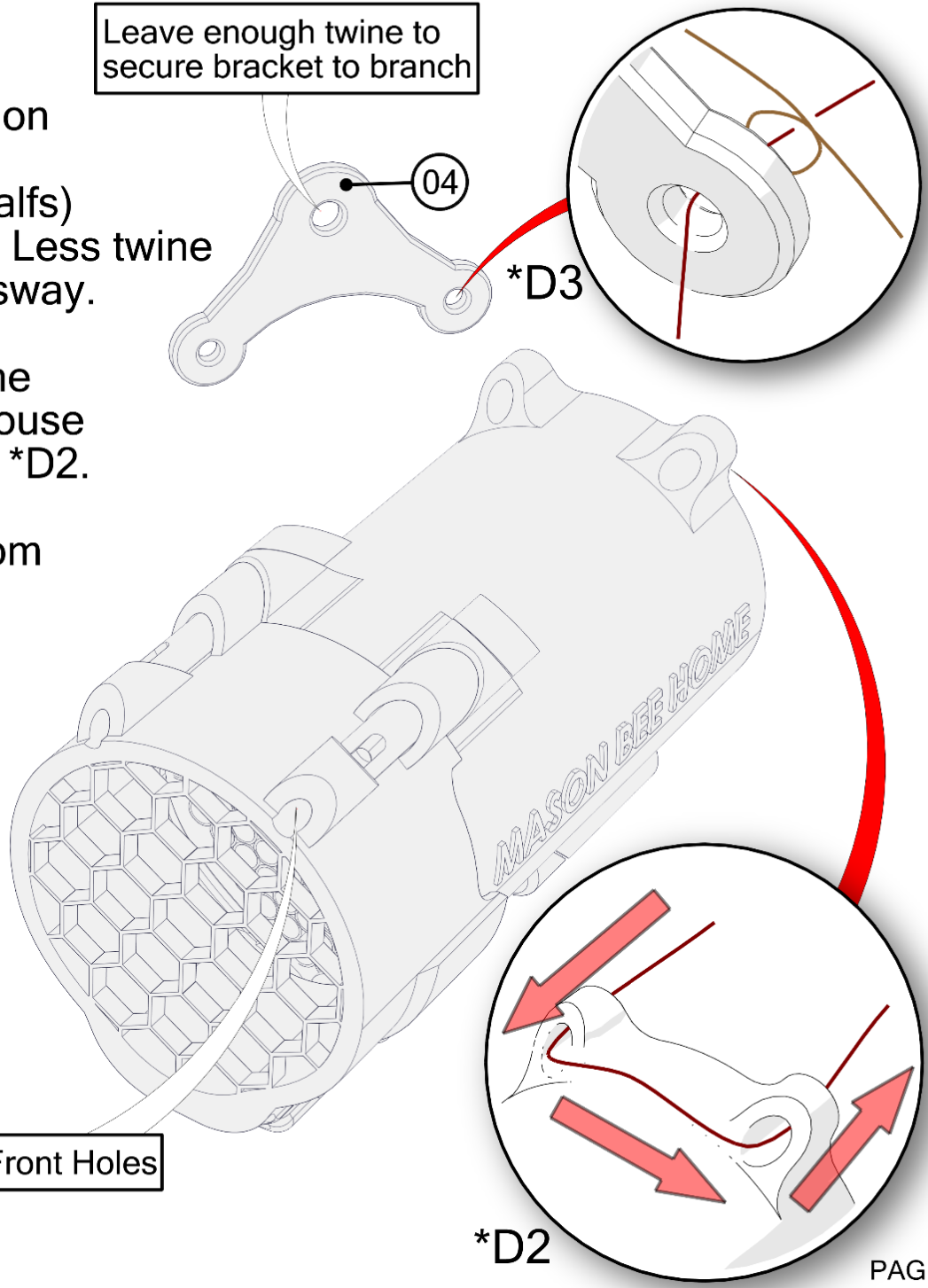
Cut the provided Jute Twine to size (2 halves) and thread through holes at the top *D2. Less twine is better for this step and helps prevent sway.

Start by inserting twine through one of the back holes, then around the top of the house and then through the corresponding hole *D2.

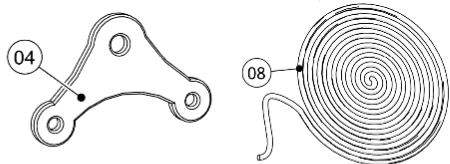
Thread one end through one of the bottom holes of the 04 Standard Bracket, and tie both ends together *D3.

Repeat using the front holes.
 Finish by using remaining twine through top 04 Standard Bracket and secure to branch or overhang.

Leave enough twine to secure bracket to branch



PARTS REQUIRED



Name	BOM ID	Qty
Standard Bracket	04	1
Jute Twine	08	1

Front Holes

*D2

ASSEMBLY: MASON BEE HOME ALL OPTIONS Last Step - Fence Installation

To remove pins use a flat-head screwdriver.

For bottom large pin, insert screwdriver in slot between the pin and the body and rotate.

For the top pins, insert screwdriver into the slot towards the front and press on pin towards the back of the mason bee home.

Pins are intended to fit snug and may take a little pressure to remove.

