

U.S Suggested Retail Price List  
Jun-18

Phone: 260-665-2769

Fax: 260-665-3047

Email: iim@mobility-usa.com

[www.mobility-usa.com](http://www.mobility-usa.com)

Quote: \_\_\_\_\_

P.O. \_\_\_\_\_

### Bill To

Dealer: \_\_\_\_\_ Contact: \_\_\_\_\_

Address: \_\_\_\_\_

City: \_\_\_\_\_ State: \_\_\_\_\_ Zip: \_\_\_\_\_

Phone: \_\_\_\_\_ Fax: \_\_\_\_\_

Email: \_\_\_\_\_ Mark For: \_\_\_\_\_

### Ship To Same as Bill To \_\_\_\_\_

Dealer: \_\_\_\_\_ Contact: \_\_\_\_\_

Address: \_\_\_\_\_

City: \_\_\_\_\_ State: \_\_\_\_\_ Zip: \_\_\_\_\_

Phone: \_\_\_\_\_ Fax: \_\_\_\_\_

Email: \_\_\_\_\_ Mark For: \_\_\_\_\_

### Dynamico Features and Specifications

- **Frame** - non-toxic varnished chromium-plated steel
- **Black Pelvic Support** - adjustable in height and depth
- **Black Chest Support** - adjustable in height, removable
- **Black Harness** - double thickness cotton fabric with velcro straps, adjustable in height and girth with belts and buckles, easy to remove for washing
- **Wheels** - 3.2" castors with double brake
- **Bumpers** - semi-elastic PVC to protect from impacts

### Dynamico

Part Number	Description	Price
_____ DYN-1	<b>Extra Small Dynamico</b> Yellow Frame	\$1,700.00
_____ DYN-2	<b>Small Dynamico</b> Yellow Frame	\$1,800.00
_____ DYN-3	<b>Medium Dynamico</b> Yellow Frame	\$1,900.00
_____ DYN-4	<b>Large Dynamico</b> Black Frame	\$2,000.00
_____ DYN-5	<b>Extra Large Dynamico</b> Black Frame	\$2,150.00



### Positioning Options

Part Number	Description	Price
_____ DYN809-1	<b>Arm Supports Xs *</b>	\$600.00
_____ DYN809-2	<b>Arm Supports Sm &amp; Md *</b>	\$625.00
_____ DYN809-4	<b>Arm Supports Lg &amp; Xl *</b>	\$650.00
_____ 943	<b>Arm Straps Xs &amp; Sm</b>	\$40.00
_____ 943-3	<b>Arm Straps Md, Lg, &amp; Xl</b>	\$40.00
_____ DYN813-1	<b>Adjustable Handlebar Xs *</b>	\$300.00
_____ DYN813-2	<b>Adjustable Handlebar Sm &amp; Md *</b>	\$300.00
_____ DYN813-4	<b>Adjustable Handlebar Lg &amp; Xl *</b>	\$300.00



Client:

PO:

Dynamico Indoor

**Positioning Options Continued**

Part Number	Description	Price
_____ DYN815-2	<b>Abduction Saddle Sm</b>	\$450.00
_____ DYN815-3	<b>Abduction Saddle Md</b>	\$450.00
_____ DYN815-4	<b>Abduction Saddle Lg</b>	\$450.00
_____ DYN814-1	<b>Leg Divider Xs</b>	\$450.00
_____ DYN814-2	<b>Leg Divider Sm</b>	\$450.00
_____ DYN814-3	<b>Leg Divider Md</b>	\$450.00
_____ DYN814-4	<b>Leg Divider Lg</b>	\$450.00
_____ DYN814-5	<b>Leg Divider Xl</b>	\$450.00



**Accessories**

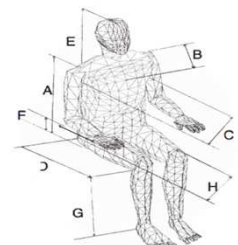
Part Number	Description	Price
_____ DYN824-1	<b>Transparent Tray Xs, Sm, &amp; Md *</b>	\$475.00
_____ DYN824-4	<b>Transparent Tray Lg &amp; Xl *</b>	\$475.00
_____ DYN810-2	<b>Weight Bars Sm 11 lbs total</b>	\$200.00
_____ DYN810-3	<b>Weight Bars Md 13.5 lbs total</b>	\$200.00
_____ DYN810-4	<b>Weight Bars Lg 16 lbs total</b>	\$250.00
_____ DYN810-5	<b>Weight Bars Xl 19 lbs total</b>	\$250.00
_____ DYN811	<b>Adjustable Brakes</b>	\$200.00
_____ DYN812	<b>Directional Locks</b>	\$200.00



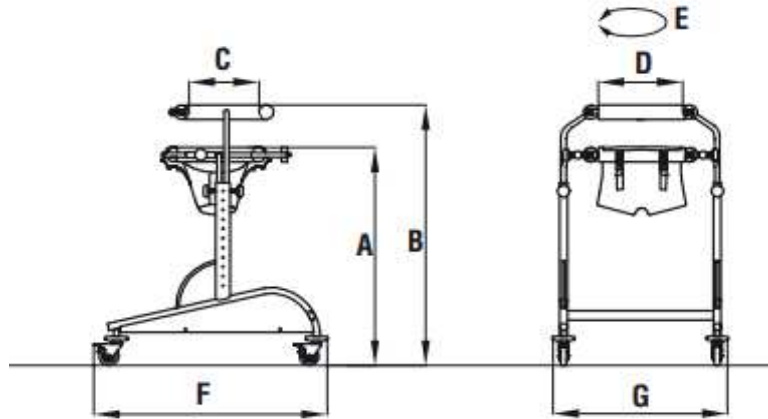
\* The following accessories can not be used in combination 809, 813, or 824

**Client Measurements**

A Back height \_\_\_\_\_ F Lower leg length \_\_\_\_\_  
 B Chest depth \_\_\_\_\_ G Head height \_\_\_\_\_  
 C Chest width \_\_\_\_\_ H Arm height \_\_\_\_\_  
 D Seat depth \_\_\_\_\_ Age: \_\_\_\_\_  
 E Seat width \_\_\_\_\_ Weight: \_\_\_\_\_

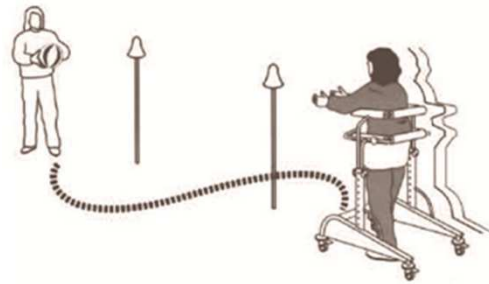


**Dimensions**



Measurements in Inches

Dynamico Indoor	X Small	Small	Medium	Large	X Large
Max Capacity	121 lbs	154 lbs	187 lbs	220.5 lbs	253.5 lbs
User Height	29.5 - 39	37 - 51	47 - 61	55 - 68.5	62.5 - 76.5
Unit Weight	26.5 lbs	32 lbs	34 lbs	37.5 lbs	43.5 lbs
Turning Width	39	41	42	46	50
A	17 - 23.5	26 - 32	30 - 40	33.5 - 44	38.5 - 47
B	20.5 - 27.5	30 - 37	35 - 45.5	36 - 49.5	42.5 - 54
C	7	8	10	12	12.5
D	10	11	12	14	16
E	25.5	29.5	33.5	43	47
F	31	33	34.5	37.5	41.5
G	26	26	26	28	30



Note: All specification and prices are subject to change without notice. Prices listed are only valid if ordering with a gait trainer. The HCPCS codes provided are not intended to be billing or legal advice, rather Innovation In Motion's interpretation of the code definitions. Use of the codes provided does not ensure coverage or payment for the item. For coverage information, verify the policy of the appropriate payer. It is recommended to contact Innovation In Motion with any questions regarding proper ordering of the chair at 1-800-327-0681.