

Combine Cylinder Bars To Fit JD

MODEL	PART #	DESCRIPTION	ROWS OF HOLES	PRICE
4400	V12043	HARDENED	2 ROWS	\$ 435.00
6600	V12044	HARDENED	2 ROWS	\$ 430.00
6600	V12044H	EXTRA HARDENED	2 ROWS	\$ 460.00
7700	V12045	HARDENED	2 ROWS	\$ 465.00
7700	V12045H	EXTRA HARDENED	2 ROWS	\$ 489.00
8800	V12065	HARDENED	2 ROWS	\$ 500.00
8800	V12065	EXTRA HARDENED	2 ROWS	\$ 620.00
9400-9500	V12070	HARDENED	2 ROWS	\$ 570.00
9410-9510	V12068	HARDENED	1 ROW	\$ 570.00
9400-9500	V12070H	EXTRA HARDENED	2 ROWS	\$ 620.00
9410-9510	V12068H	EXTRA HARDENED	1 ROW	\$ 620.00
9600	V12071	HARDENED	2 ROWS	\$ 610.00
9600	V12071H	EXTRA HARDENED	2 ROWS	\$ 695.00
9600-9610	V12072	HARDENED	1 ROW	\$ 640.00
9600-9610	V12072H	EXTRA HARDENED	1 ROW	\$ 710.00

HARDENED = STANDARD

EXTRA-HARDENED= HEAT TREATED FOR LONGER WEAR

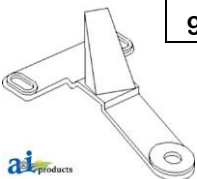
ALL BARS ARE BALANCED AND SOLD WITH HARDWARE!

STS Rotor Bar Kits To Fit JD

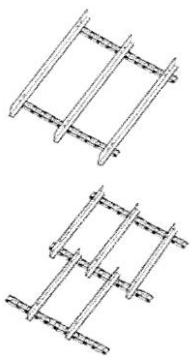


MODEL	PART #	DESCRIPTION	PRICE
9650 LATE/ 60 / 70 9750 LATE/ 60 / 70 9860 SN 000725>/ 70	AH216678	ROTOR THRESHING ELEMENT KIT (3 PC.) *BULLET ROTOR HIGH WEAR	\$ 279.00
9650-70/ 9750-70 9860-80	AH216675	2 ND ROW ROTOR ELEMENT KIT (3 PC.) *BULLET ROTOR HIGH WEAR	\$ 379.00
9660-70/ 9760-70 9860-70	AH216677	REAR THRESHING ELEMENT (3 PC.) (HARDENED) *BULLET ROTOR	\$ 179.00
9660/ 9760/ 9860	AH209118	CHROME THRESHING ELEMENT (3 PC.) STANDARD ROTOR	\$ 209.00
9560/ 9650-70/ 9750-70/ 9860-80	AH208554	ROTOR TINES (SET OF 3)	\$ 79.50
9560/ 9660-70/ 9750-70/ 9860-70	AH209123	CHROME ROTOR TINES (SET OF 3)	\$ 155.00

PRICES SUBJECT TO CHANGE WITH OUT NOTICE!



JD COMBINE FEEDER HOUSE CHAINS



MODEL	PART #	# of SLATS	PRICE EA.
JD 94-9500	AH 207777	34 Slats	\$ 795.00 SALE
JD 9650/ 9750 STS	AH148102	30 Slats	\$ 789.00 SALE
JD 9600	AH 143399	51 Slats	\$ 1075.00 SALE
JD 8800	AH 116718	42 Slats	\$ 695.00 SALE
JD 7700	AH 116716	28 Slats	\$ 535.00 SALE
JD 6600	AH 116713	28 Slats	\$ 525.00 SALE
JD 4400	AH 116712	28 Slats	\$ 479.00 SALE
ALL JD	H 118583	Feeder House Sprocket	\$ 49.75 SALE



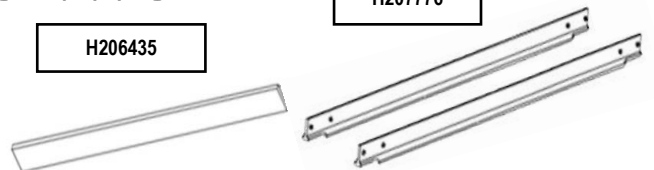
Sprocket # H118583

FEEDER HOUSE CHAIN SLATS

MODEL	PART #	PRICE EA.
JD9400-9500 Series, 9650STS, 9660STS, 9750STS, 9760STS	H206436 New # H134002	\$ 23.75
9600 Series	H207776	\$ 19.95

H206435

H207776



CONCAVES TO FIT JD COMBINES

MODEL	PART #	# of BARS	PRICE EA.
JD 9650-9870STS	V18029	3 PC. SET COMPLETE	\$ 1925.00 SALE
JD 94-9500	AH 150497	13 Bar (New Style)	\$ 1035.00 SALE
JD 9600	AH 150496	13 Bar (New Style)	\$ 1170.00 SALE
JD 8800	AH 113444	13 Bar (Titan Style)	\$ 1049.00 SALE
JD 7700 Late	AH 113443	13 Bar (Titan Style)	\$ 825.00 SALE
JD 6600	AH 113442	13 Bar (Titan Style)	\$ 745.00 SALE
JD 4400	AH 85396	13 Bar (Titan Style)	\$ 625.00 SALE



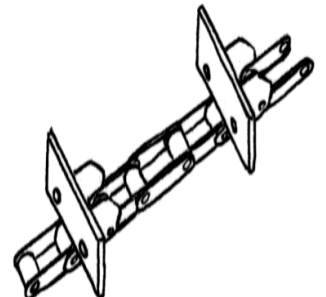
CLEAN GRAIN ELEVATOR CHAINS

PART #	TO FIT:	PRICE EA.
AH162441	9400, 9410, 9500, 9510	\$ 259.00 SALE
AH162058	9450/9550/9560/9650/9660/	\$ 389.00 SALE
AH162442	9600, 9610	\$ 266.00 SALE
H133143	9000/STS (ALL) LOWER CLEAN GRAIN SPROCKET	\$ 29.95 SALE
H177988	9000/STS (ALL) UPPER CLEAN GRAIN SPROCKET	\$ 45.50 SALE
AH87747	6620 / 7700 / 7720 CLEAN GRAIN CHAIN	\$185.00 SALE
AXE28559	9560-9570STS,9650-9670STS,9750-9760STS,9860STS	\$349.00 SALE



RETURN ELEVATOR CHAIN

Part #	To Fit:	PRICE EA.
AH131074	9400, 9410, 9450, 9500, 9510, 9550, 9560, 9600, 9610, 9650, 9660	\$ 225.00 SALE
AH98032	6620/7720 SER.# 610301->	\$ 210.00 SALE
AH96388	6620/7720 SER.# <-61300	\$ 199.00 SALE
H177988	(ALL)UPPER AND LOWER RETURN ELEVATOR SPROCKET	\$ 44.50 SALE
AH148021	9560-70STS,9650-70STS,9750-70STS,9860-70STS	\$ 178.00 SALE



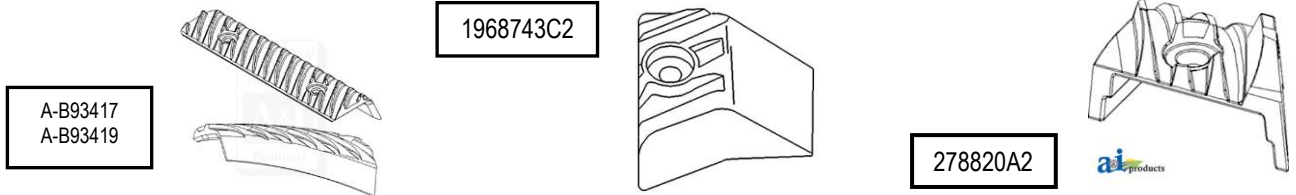
CALL US FOR ALL YOUR COMBINE REPLACEMENT PART NEEDS!



CASE IH ROTOR BAR KITS

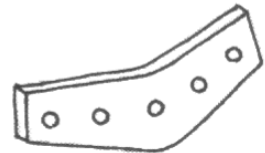


PART#	TO FIT:	PRICE EA.
A-B93417 12 Helical/9 Straight	1440, 1460, 1640, 1660, 1666, 2166, 2366	\$ 444.00
A-B93419 12 Helical/3 Straight	1440, 1460, 1640, 1660, 1666, 2166, 2366	\$ 277.00
A-1309336C2 (STANDARD HARDENED)	1640, 1660, 1666, 1680, 1688, 2166, 2188, 2366, 2388, 2577, 2588, 5088, 6088, 7010	\$ 13.95 SALE
1968743C2 (Speciality Rotor-CHROME) Includes Hardware	1640, 1660, 1666, 1680, 1688, 2166, 2188, 2366, 2388, 2577, 2588, 5088, 6088, 7010	\$ 18.95 ea. SALE
278820A2 (CHROME) (Specialty Rotor Segment W/ Spike)	1640, 1660, 1666, 1680, 1688, 2166, 2188, 2366, 2388, 2577, 2588, 5088, 6088, 7010 IMPROVES FLOW OF MATERIAL THRU MACHINE	\$ 27.95 ea.
1309175C3 (HARDENED) (Specialty Rotor Segment W/ Spike)	1640, 1660, 1666, 1680, 1688, 2166, 2188, 2366, 2388, 2577, 2588, 5088, 6088, 7010	\$ 13.95 EA.



WEARBARS (CHROME)

PART #	DESCRIPTION	TO FIT C-IH	PRICE
B94525	3 Bar Set w/Hardware	1420-40-60, 1620-40-60, 1688,2366	\$ 227.00
B94527	2 Bar Set w/Hardware	1480, 1680, 2188, 2388	\$ 159.00
B93732	Blade Impeller Chrome Wear Bar Set	1480, 1680, 2188, 2388	\$ 473.00



CASE IH FEEDER HOUSE CHAINS AND SLATS

PART #	FEEDER LENGTH	# OF LINKS	MODEL TO FIT C-IH	SLAT #	PRICE
117869A1	47"	60	(1420,1440,1460,1620,1640,1644,1660,1666)	10	\$ 410.00
117871A1-S	54"	69	(1440,1460,1640,1660,1666,2144,2166,2366)	12 SERATED	\$ 449.00
117872A1-S	54"	69	(1480,1680,1688,2188)	12 SERATED	\$ 545.00
195666A2	54"	69	(1680,1688,2188,2388 3-STRAND)	22 SERATED	\$ 875.00
195670A2	60"	76	(2188,2377,2388,2577,2588 3-STRAND)	26	\$ 899.00
136438A1	60"	76	(2144,2166,2344,2366)	10 SERATED	\$ 639.00
118268A1	SLAT	N/A	(1644,1666,2144,2166,2344,2366)	N/A	\$ 24.75
118269A1	SLAT	N/A	(1680,1688,2188)	N/A	\$ 32.50
118270A1	SLAT	N/A	(1640,1660,1666 SERRATED)	N/A	\$ 31.00
196357A1	SLAT	N/A	(2188,2388 SMOOTH RIGHT HAND)	23.38"	\$ 22.75
196358A1	SLAT	N/A	(2188,2388 SMOOTH LEFT HAND)	N/A	\$ 22.50
196359A2	SLAT	N/A	(2188,2377,2388,2577,2588 SERRATED RH)	54"&60" CHAINS	\$ 28.50
196360A3	SLAT	N/A	(2188,2377,2388,2577,2588 SERRATED LH)	N/A	\$ 30.50

PRICES SUBJECT TO CHANGE WITHOUT NOTICE!



CASE IH CONCAVES

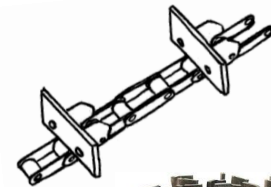
PART #	DESCRIPTION	TO FIT C-IH	PRICE
1302606C5	Front with Lip	1440, 1460	\$ 455.00 SALE
1302607C4	Middle and Rear	1440,1460 Series	\$ 499.00 SALE
B93572	Set of 3	1440,1460	\$ 1249.00 SALE
B96128	Set of 3	1640/ 60 / 66 Series	\$ 1249.00 SALE
B96125	Set of 3	80 Series	\$ 1429.00 SALE
193782C6	Front with Lip	80, 88 Series	\$ 635.00 SALE
193783C5	Middle and Rear	80, 88 Series	\$ 529.00 SALE
386189A1	Middle and Rear	80 Series	\$ 531.00 SALE



CASE IH ELEVATOR CHAINS

Clean Grain

PART#	TO FIT C-IH	PRICE
A-1321334C92	1640,1660, 1666, 2166, 2366	\$ 309.00 SALE
A-1317482C92	1680, 1688, 2188, 2388	\$ 332.00 SALE
A-87281911	7010,7120,AFX8010,8020,9120	\$ 489.00 SALE



Return Grain

PART#	TO FIT C-IH	PRICE
A-1303114C91	Most Combine Models	\$ 205.00 SALE

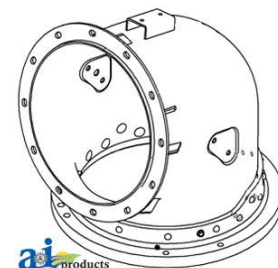
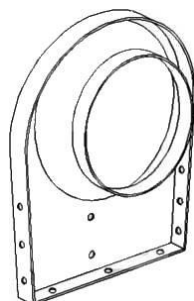
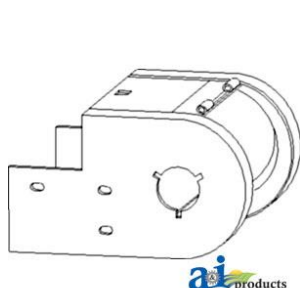


Elevator Sprockets

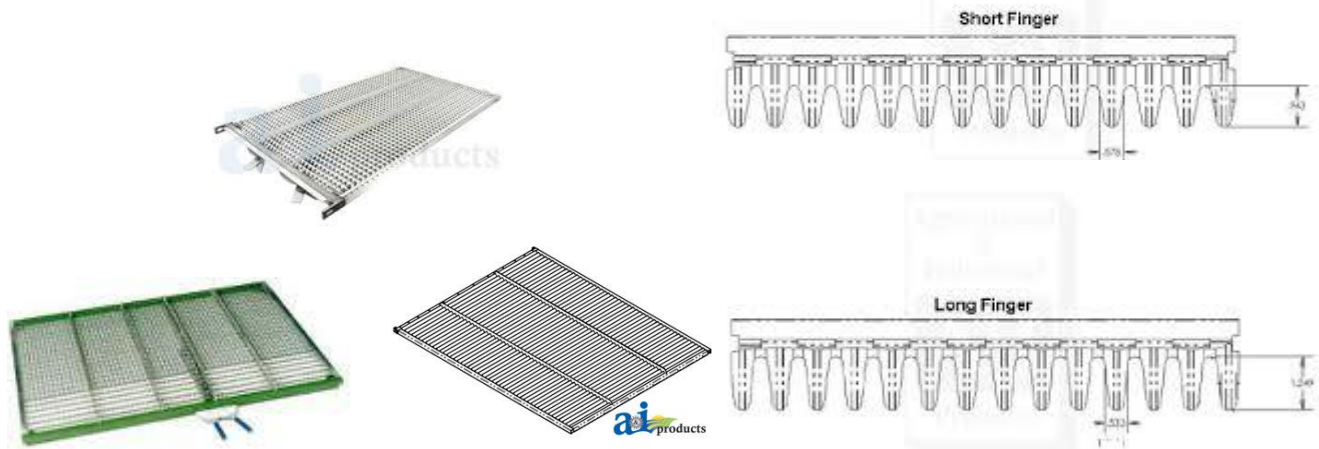
PART#	TO FIT C-IH	PRICE
1317192C1	UPPER/ LOWER CLEAN GRAIN SPROCKET (1640,1660,1666,1680,1688,2144,2166,2188,2344,2366,2388)	\$ 66.50 ea.
168683C1	CLEAN GRAIN/ TAILINGS ELEVATOR (1420,1440,1460,1480,1620,1640,1660,1666,1680,1688,2144,2166,2188, 2344,2366,2388)	\$ 49.50 ea.
1317250C91	BEARING GRAIN ELEVATOR HEAD SHAFT (1640-2588)	\$ 52.50 ea.

CLEAN GRAIN ELEVATOR BOOTS

PART #	DESCRIPTION	TO FIT C-IH MODEL #	PRICE
A-1318585C3	Clean Grain Boot-Outer	1640,1660, 1666, 1680, 1688, 2166, 2366 ALL Without Yield Monitor	\$ 44.50 ea.
A-1317673C2	Clean Grain Boot-Inner	1640, 1660, 1666, 2166, 2366	\$ 51.75 ea.
A-1318584C2	Clean Grain Boot-Inner	1680, 1682, 1688, 2188, 2388	\$ 69.75 ea.
A-191771C1	Tailings Elevator Boot	1420,1440,1460,1620,1640,1660,1666	\$ 193.00 ea.
A-183160C1	Tailings Elevator Boot	1480,1680,1688,2144,2166,2188	\$ 237.00 ea.
248308A2	AUGER ELBOW	1420-2588	\$ 599.00 ea.
192475C3	LOWER UNLOAD HOUSING	1420-2388	\$ 859.00 ea.



COMBINE SIEVES



CASE IH

PART #	DESCRIPTION	DIMENSIONS	PRICE
1957314C8	(1640,1660,1666,2144,2166,2344,2366) LONG FINGER TOP	45"X 75"	\$ 929.00 SALE
1994961C5	(1666,2144,2166,2366) BOTTOM LONG SHOE	45"X65"	\$ 810.00 SALE
1322659C6	(1680,1688,2188,2388,2577,2588) LONG FINGER TOP	60"X75"	\$ 1335.00 SALE
1979328C8	(1680,1688,2188,2388,2577,2588) SHORT FINGER BOTTOM	60"X65"	\$ 1139.00 SALE
1330686C2	(1440,1460,1640,1660) LONG FINGER/SHORT SHOE TOP	45"X61.75"	\$ 695.00 SALE
1347016C2	(1440,1460,1640,1660) SHORT FINGER/SHORT SHOE BOTTOM	45"X51.5"	\$ 570.00 SALE

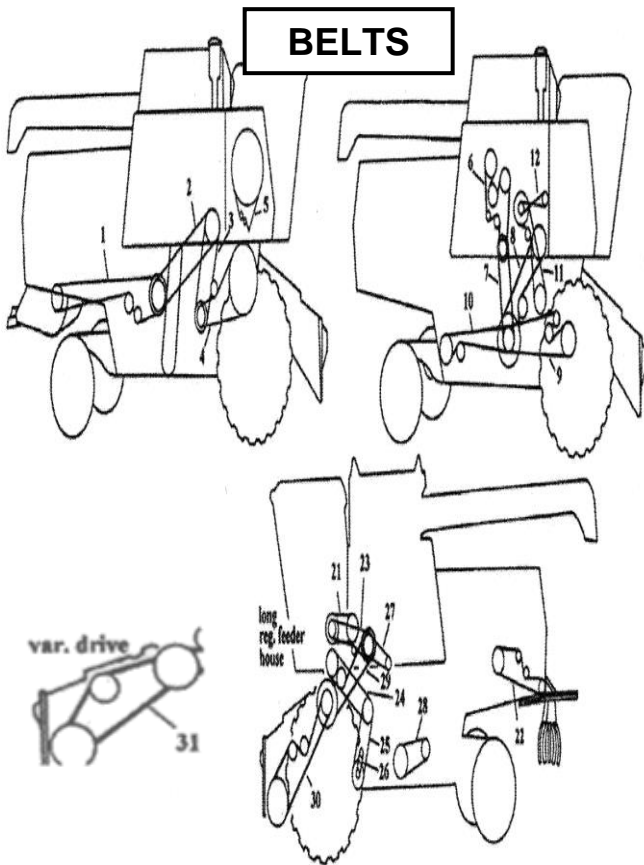
JOHN DEERE

PART #	DESCRIPTION	PRICE
AH87876	4400, 4420 TOP SIEVE LONG FINGER	\$544.00 SALE
AH85351	4400, 4420 LOWER BLUNT FINGER	\$599.00 SALE
AH99750	6600,6620 SER.#-610300 TOP LONG FINGER	\$519.00 SALE
AH99748	6600,6620 SER.#-610300 LOWER BLUNT FINGER	\$612.00 SALE
AH106772	7700, 7720 SER.#-610500 TOP LONG FINGER	\$620.00 SALE
AH106770	7700,7720SER.#-610500 LOWER SHORT FINGER	\$755.00 SALE
AH172951	9400,9410,9450,9500,9510,9550 TOP LONG FINGER	\$366.00 SALE
AH130160	9400,9410,9450,9500,9510,9550 LOWER BLUNT FINGER	\$359.00 SALE
AH212253	9560STS,9570STS GENERAL PURPOSE	\$639.00 SALE
AH212245	9650-9770STS TOP LONG FINGER	\$989.00 SALE
AH212241	9650-9770STS BOTTOM BLUNT FINGER	\$895.00 SALE

CALL US FOR YOUR COMBINE NEEDS!

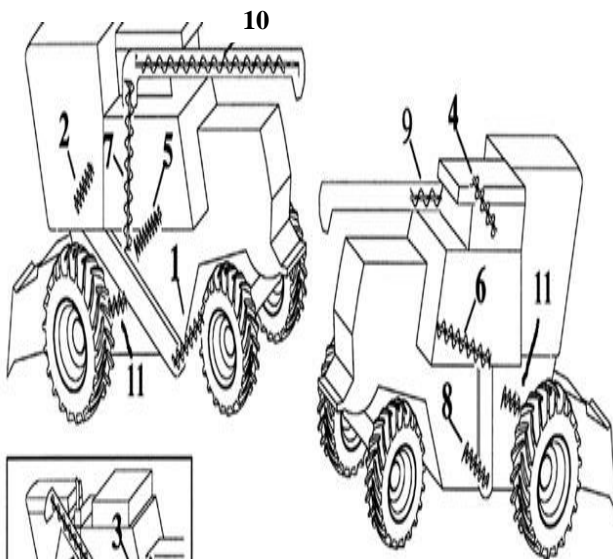
PRICES SUBJECT TO CHANGE WITHOUT NOTICE!

BELTS AND AUGERS TO FIT JD 20 SERIES COMBINES



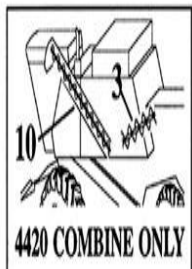
#	PART #	DESCRIPTION	TO FIT MODEL #	PRICE
1	H103344	Rear Straw Chopper	6620, 7720, 8820	\$ 85.50
2	H101436	Straw Chopper Drive	6600, 6620, 7720, 8820, 9400, 9410, 9450	\$ 49.50
3	H113749	Torq-Sensing Countershaft Drive	6600, 6620, 7700, 7720, 8820	\$ 129.00
4	H110375	Cylinder	6620, 7720, 8820	\$ 143.00
4	H96421	Cylinder	6620 SN<-551900, 7720 SN<-556300	\$ 119.00
4	H96423	Cylinder-3 Band	6620, 7720 (315-830 rpm)	\$ 87.00
6	H77766	Clean Grain	6620	\$ 53.00
7	H161339	Torque Sensing (HD)	6620, 7720, 8820	\$ 175.00
8	H110300	Secondary Counter Shaft	6620 (SN551900->), 7720 (SN556301->), 8820 (SN556101->)	\$ 42.00
9	H77010	Shoe Grain Supply Augers	6620, 7700, 7720, 8820	\$ 54.00
10	N110085	Tailings, Lower Auger	6620, 7700, 7720, 8820, 9400, 9410, 9450, 9500, 9510, 9550, 9560, 9600, 9610, 9650	\$ 59.00
11	H96414	Beater-(100% Beater Speed) Corn & Bean	6620, 7720, 8820	\$ 25.00
21	AH96300	Unloading Auger Drive (Set of 2)	6620, 7720, 8820	\$ 51.00
23	H108175	Multi-Grove Separator Drive	6620, 7700 SN 8001->, 7720, 8820	\$ 119.00
29	H23927	Feeder House Drive w/Reverser	6600, 6620, 7700 SN 8001->, 7720, 8820	\$ 68.00
30	H111519	Regular Lower Feeder House Drive	6620 SN 502551-615100 7720 SN 507351, 9650 SN<-700500	\$ 102.00
30	H97929	Long Lower Feeder House Drive	6620 SN 403301->, 7720 SN 409101-> 8820 SN 414851->	\$ 112.00
31	H110921	Feeder Variable Conveyor Drive	6620, 7720, 8820	\$ 137.00

AUGERS

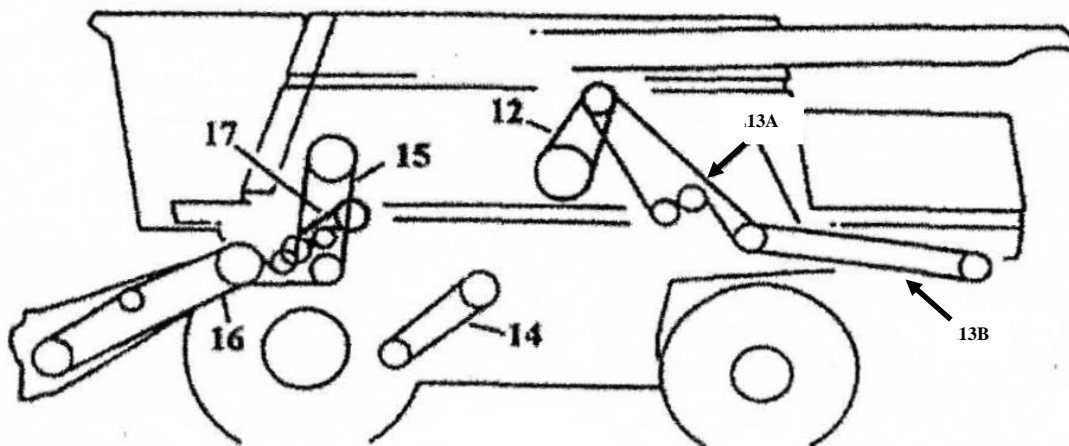
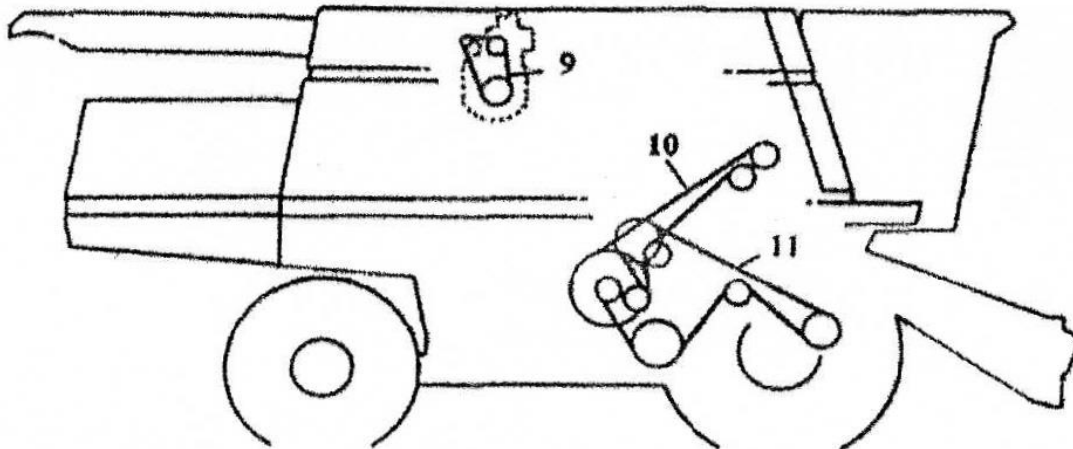
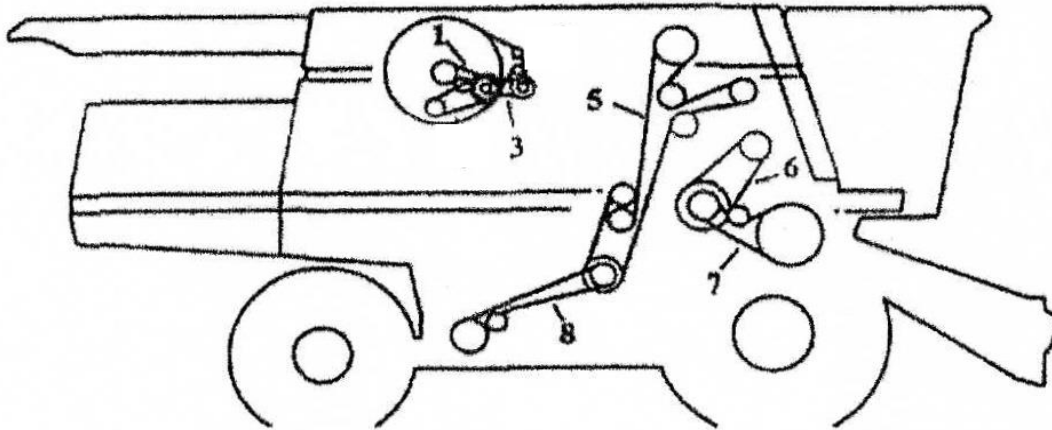


20 SERIES COMBINES

#	PART #	DESCRIPTION	MODEL #	PRICE
1	AH76130	AUGER LOWER TAILINGS	4420	\$136.00
1	AH93662	AUGER LOWER TAILINGS	6620 SN:<-610300	\$261.00
1	AH122335	AUGER LOWER TAILINGS	6620 SN:610301->	\$199.00
1	AH93663	AUGER LOWER TAILINGS	7720 SN:<-610500	\$223.00
1	AH122336	AUGER LOWER TAILINGS	7720 SN:610501->	\$215.00
2	AH76573	AUGER UPPER TAILINGS	4420	\$159.00
2	AH127650	AUGER UPPER TAILINGS	6620 SN:610301->	\$242.00
2	AH75435	AUGER UPPER TAILINGS	6620 SN:<-610300	\$166.00
2	AH127651	AUGER UPPER TAILINGS	7720 SN:610501->	\$262.00
2	AH75436	AUGER UPPER TAILINGS	7720 SN:<-610500	\$242.00
3	AH76218	GRAIN TANK CROSS AUGER	4420	\$122.00
4	AH127728	TANK LOADING	6620	\$245.00
4	AH127729	TANK LOADING	7720	\$295.00
5	AH98211	FRONT TANK CROSS	6620	\$463.00
5	AH98212	FRONT TANK CROSS	7720	\$485.00
6	AH103727	REAR TANK CROSS	6620 SN:<-600000	\$446.00
6	AH114715	REAR TANK CROSS	6620 SN:600001->	\$399.00
6	AH103728	REAR TANK CROSS	7720 SN:<-600000	\$485.00
6	AH114716	REAR TANK CROSS	7720 SN:600001->	\$429.00
7	AH123929	VERTICAL UNLOAD AUGER	6620,7720	\$462.00
8	AH76772	LOWER CLEAN GRAIN	4420	\$178.00
8	AH91283	LOWER CLEAN GRAIN	6620	\$219.00
8	AH107442	LOWER CLEAN GRAIN	7720	\$189.00
9	AH143731	HORIZONTAL UNLOAD AUGER	6620,7720 (14')	\$690.00
10	AH114138	OUTER UNLOADING AUGER	4420	\$499.00
10	AH76241	INNER UNLOADING AUGER	4420	\$553.00
10	AH123437	UNLOADING AUGER	6620/7720 SN:<-610500	\$697.00
10	AH143729	HORIZONTAL UNLOADING AUGER	7720	\$699.00
11	AH95943	SHOE GRAIN SUPPLY (RH)	6620, 7720	\$261.00
11	AH95944	SHOE GRAIN SUPPLY (LH)	6620, 7720	\$269.00



BELTS TO FIT JD 9000 SERIES COMBINES



#	PART #	DESCRIPTION	TO FIT MODEL #	PRICE
1	H153297	Cooling Fan	9500 High Power Fan, 9600 SN: 641717-> 9500, 9610, 9650	\$ 67.00
1	H132808	Cooling Fan	9400, 9410, 9450, 9500 Low Power, 9600	\$ 23.75
3	H146636	Rotary Screen	9400, 9410, 9500, 9510, 9600, 9610, 9650CTS, 9660, 9660CTS	\$ 14.50

5	H135458	Clean Grain Elevator	9600 SN <640300	\$ 116.00
5	H137830	Clean Grain Elevator	9400 SN <-640100, 9500 SN: <640200	\$ 116.00
5	H141167	Clean Grain Elevator	9400 SN <-640101, 9500 SN <-640201, 9610	\$ 125.00
5	H160171	Clean Grain Elevator	9410, 9510	\$ 126.00
6	H210476	Cylinder Intermediate Drive	9400, 9410, 9450, 9500, 9550, 9600, 9650CTS Replaces # H162629 & H115759	\$ 282.00
6	H137670	Cylinder Intermediate Drive for Extended Range	9400, 9410, 9450, 9500, 9550	\$ 292.00
7	H115881	Cylinder Drive	9400, 9410, 9450, 9500, 9510, 9550, 9600, 9610, 9650	\$ 175.00
7	H118618	Cylinder Drive (Slow Speed)	9400, 9410, 9450, 9500, 9510, 9550, 9600, 9610, 9650	\$ 179.00
8	N110085	Tailings, Lower Auger	9400, 9410, 9450, 9500, 9510, 9550, 9600, 9610	\$ 62.00
9	H134344	Alternator	9500 S/N<665200	\$ 13.50
10	H128010	Secondary Countershaft	9400, 9410, 9450, 9500, 9510, 9550, 9600, 9610, 9650	\$ 69.50
11	H131169	Shoe, Straw Walker & Conveyor Augers	9400, 9410, 9450, 9500, 9510, 9550, 9600, 9610, 9650CTS, 9660, 9660CTS	\$ 121.00
12	AH127866	Unloading System (Set of 2)	9400, 9410, 9450, 9500, 9550, 9560, 9600, 9610, 9650,	\$ 89.25
13A	H125380	Chopper Belt (FRONT)	9400, 9410, 9500, 9510, 9600, 9610	\$ 68.00
13B	H101436	Chopper Belt (REAR)	9400, 9410, 9450	\$ 49.00
13B	H125381	Chopper Belt (REAR)	9500, 9510, 9600, 9610	\$ 69.75
13B	E46113	Chopper Belt (Windrow Position)(REAR)	9400, 9410, 9450	\$ 23.50
13B	H23950	Chopper Belt (Windrow Position)(REAR)	9500, 9510, 9550, 9600, 9610, 9650	\$ 39.00
14	H137264	Separator Fan, Slow Speed (490-980 RPM)	9400 SN<670100), 9500 SN<670200, 9600 <670300	\$ 59.75
14	H140404	Separator Fan, Regular Speed (750-1350 RPM)	9400 SN <-670100, 9500 SN <-670200, 9600 SN <-670300	\$ 79.50
14	H152146	Separator Fan, Regular Speed (750-1350 RPM)	9400 SN 670101->, 9410, 9450, 9500 SN 670201->, 9510, 9550, 9600 SN 670301->, 9610, 9650	\$ 79.50
14	H152180	Separator Fan, Slow Speed (490-980 RPM)	9400 SN 670101->, 9410, 9450, 9500 SN 670201->, 9510, 9550, 9600SN 670301->, 9610, 9650	\$ 59.90
15	H125565	Power Shaft/Reel Pump	9400 SN <635100, 9500 SN <638897, 9600 SN <635300	\$ 109.00
15	H151952	Power Shaft/Reel Pump	9400 SN <935100,9410, 9450, 9500 SN 638898>, 9510, 9550, 9600 <635301, 9610, 9650, 9660	\$ 91.00
16	H161648	Variable Speed Feeder House	9400, 9410, 9450, 9500, 9510, 9550 SN<-700200, 9600, 9610, 9650CTS	\$ 181.00
17	AH163931	Beater Drive at 75%	9400, 9500, 9600	\$ 68.00
17	AH139436	Beater Drive at 100% (Set of 2)	9400, 9410, 9450, 9500, 9510, 9550, 9560, 9600, 9610, 9650, 9660	\$ 64.00



RADIATOR CLEANING TOOL

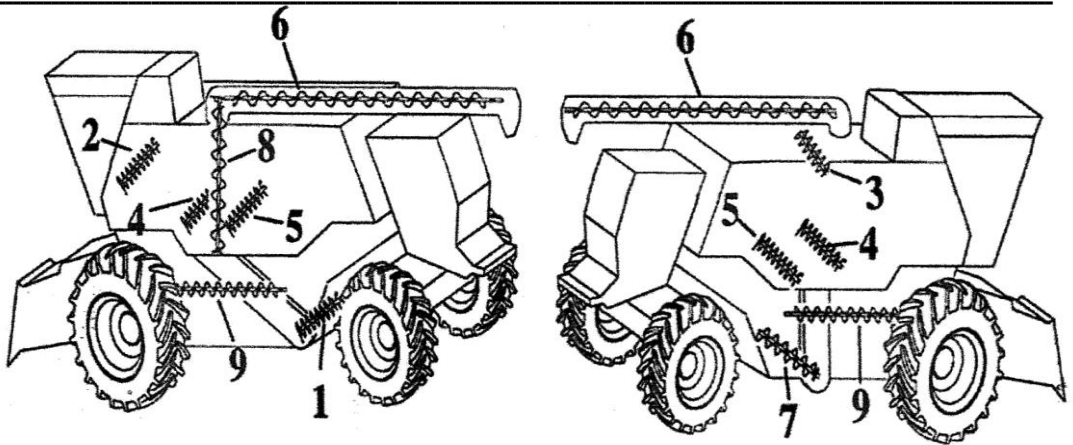


- Clean Air Filters, Radiators And More...
- Air Wand Pressure Up To **135psi MAX**
- Water Wand Attaches To Garden Hose

“ONE OF THE HANDIEST TOOLS ON THE FARM”!

\$ 29.95 SALE

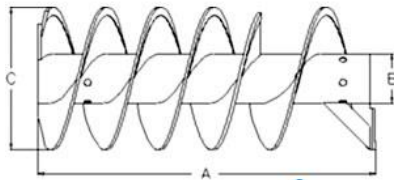
AUGERS TO FIT JD 9000 SERIES COMBINE



#	PART #	Length	DESCRIPTION	TO FIT JD MODEL #	PRICE
1	AH146322	94.500"	Lower, Tailings	9400, 9410, 9450, 9500, 9510, 9540, 9550, 9560, 9580, 9650	\$231.00
1	AH146313	105.312"	Lower, Tailings	9600, 9610, 9640, 9650, 9660	\$269.00
2	AH125894	71.750"	Upper, Tailings	9600, 9610, 9650, 9660, 9680	\$207.00
2	AH125895	63.062"	Upper, Tailings	9400, 9410, 9450, 9500, 9510, 9550, 9560, 9650 CTS, 9660 CTS	\$217.00
3	AH136091	50"	Tank Loading	9400 SN<-640100 / 9500 SN<-640200	\$299.00
3	AH136635	50.000"	Tank Loading	9400 SN 640101->, 9410, (9500, ALL SN 640201->), 9510	\$399.00
3	AH136092	56.500"	Tank Loading	9600 SN <-640300	\$309.00
3	AH136636	56.500"	Tank Loading	9600 SN 640301->, 9610	\$318.00
3	AH218485 (AH205897)	54.440"	Tank Loading	9450, 9550, 9560, 9650, 9650CTS, 9650STS, 9660, 9660CTS, 9660STS, 9750, 9750STS, 9760STS, 9860STS	\$527.00
3	AH146214	29.160"	Tank Loading (Fold Down)	9400, 9500, 9510	\$399.00
3	AH146215	29.750"	Tank Loading (Fold Down)	9600, 9610	\$359.00
3	AH146554	28.125"	Tank Loading (Fold Down)	9410, 9510, 9400SN: 660101>, (9500, ALL SN: 660201>), (9780CTS, 9780HM CTS ALL SN: 071443 - 072697)	\$279.00
3	AH146553	33.250"	Tank Loading (Fold Down)	9600, 9610	\$289.00
4	AXE18077	112.312"	Tank Front Cross (OLD # AH201744)	9400, 9410, 9450, 9500, 9510, 9550, 9560, 9560STS, 9650CTS, 9650STS, 9660CTS, 9660STS, 9750STS, 9760STS	\$575.00
4	AH202875	123.125"	Tank, Front Cross	9600, 9610, 9650, 9660	\$546.00
5	AXE18078	112.312"	Tank Rear Cross (OLD # AH201743)	9400, 9410, 9450, 9500, 9510, 9550, 9560, 9560STS, 9650CTS, 9650STS, 9660CTS, 9660STS, 9750STS, 9760STS	\$568.00
5	AH202881	123.125"	Tank Rear Cross	9600, 9610, 9650	\$490.00
6	AH112435	74"	Horizontal Unloading	(2 PC.) For Use With AH143731 Or AH143727	\$455.00
6	AH143727	129.125"	Horizontal Unloading (Balanced)	(9400, 9410, 9450, 9500, 9510, 9540, 9550, 9560, 9600, 9610, 9640, 9650, 9650CTS, 9650STS, 9660, 9750STS, ALL w/2 piece augers used w/A-AH112435 above for 17' auger)	\$624.00
6	AH143729	201.125"	Horizontal Unloading	(9400, 9410, 9500, 9510, 9600 ALL w/1 piece 17' augers)	\$721.00
7	AH141576	92.250"	Lower, Clean Grain	9600, 9610	\$299.00
7	AH141577	79.375"	Lower, Clean Grain	9400, 9410, 9500, 9510	\$331.00
7	AH162153	93.000"	Lower, Clean Grain	9450, 9550, 9560, 9650 CTS/STS, 9660 CTS/STS (82.125" long)	\$518.00
8	AH124852	43.750"	Vertical Unloading	9400, 9410, 9450SN <695100, 9500, 9510, 9550SN <695200, 9600, 9610, 9650SN <695300, 9650CTS SN <695400	\$435.00
8	AH164070	30.250"	Vertical Unloading (Heavy Duty)	9560STS, 9570STS, 9650STS, 9660STS, 9670STS, 9750STS, 9760STS, 9770STS	\$571.00
8	AH154962	High Wear	Vertical Unloading	9410, 9450 SN: <695100, 9510, 9550 SN: <695200, 9610, 9650 SN: <695300, 9650CTS SN: <695400, CTSII	\$699.00
9	AH130424	57.500"	Shoe Grain Supply (RH)	9400, 9410, 9450, 9500, 9510, 9540, 9550, 9560, 9600, 9610, 9650, 9660	\$162.00
9	AH130425	57.500"	Shoe Grain Supply (LH)	9400, 9410, 9450, 9500, 9510, 9540, 9550, 9600, 9610, 9650	\$139.00

Prices are subject to change without notice.

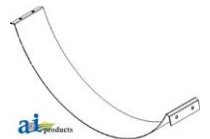
John Deere STS Augers



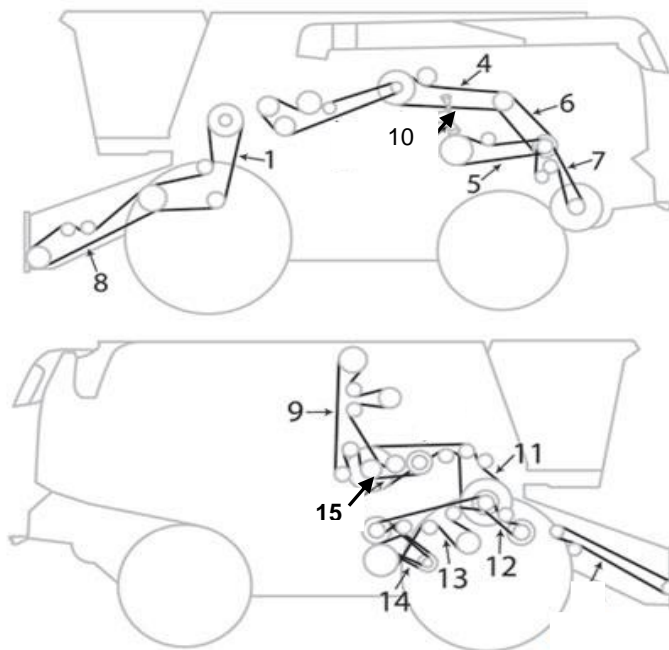
PART #	LENGTH	DESCRIPTION	MODEL	PRICE EA.
AH218246	71.562"	LOWER CLEAN GRAIN	9560-70STS	\$377.00
AH162154	82.125"	LOWER CLEAN GRAIN	9650-70 9750-70	\$477.00
AH168284	40.625"	CLEANING SHOE LH	9650-70 9750-70 9860-70	\$282.00
AH168285		CLEANING SHOE RH		\$295.00
AH146786	40.75"	SHOE LH	9560-70	\$115.00
AH146787		SHOE RH	9650-70 9750-70	\$110.00
AH223220	51.875"	TANK LOADING	9560-70	\$479.00
AH218485	57.125"	TANK LOADING	9650-70 9750-70	\$529.00
AH205897-E	65.50"	EXTENDED TANK LOADING	9650-70 9750-70	\$679.00
AH202510	61.312"	LOWER TAILINGS	9560-70	\$239.00
AH202519	25.69"	UPPER TAILINGS	9560-70	\$139.00
AXE18077	(AH201744) 112.312"	TANK CROSS FRONT	9560-70 9650-70	\$574.00
AXE18078	(AH201743)	TANK CROSS REAR	9750-60	\$574.00
AH146840	N/A	VERTICAL UNLOAD	9560-70 9650-70 9750	\$399.00
AH112435	74"	HORIZONTAL UNLOAD (SHORT) INNER 18.5'-21.5'	9560-70 9650-60 9750	\$460.00
AH169061	83.125	HORIZONTAL UNLOADING	9650 SER. # 690501+ 9660/9750-70	\$560.00
AH226067	84.5"	HORIZONTAL UNLOAD	9560-70 9650-70 9750-60	\$658.00
AH143727	129.125"	HORIZONTAL UNLOAD 17'	9650/9750	\$610.00
AH173595	156"	HORIZONTAL UNLOAD OUTER 21.5'	9560-70 9660 9760-70	\$788.00
AH143731	165"	HORIZONTAL UNLOAD OUTER W/AH112435-20'	9560/9650/9750	\$685.00

STS THRESHING PARTS

MODEL	PART #	DESCRIPTION	PRICE
9650-9870	BH81876	CONCAVE COVER PLATE SET (3) W/ HARDWARE * NARROW AND WIDE CONCAVES	\$ 129.00
9650-9870	FPJDSTS2	COVER PLATE (HALF COVER) *FOR USE W/ HELICAL CONCAVE	\$ 67.95 EA.
9650-9860	H209762C	WEAR PLATE FOR DISCHARGE BEATER (CHROME)	\$ 89.50 EA.
9560-9870	H165407	SERRATED WEAR PLATE (FRONT BEATER)	\$ 13.95 EA.
9650-9870	AH205259HB	HELICAL BAR CONCAVE (CORN/SOYBEANS)	\$935.00 EA.

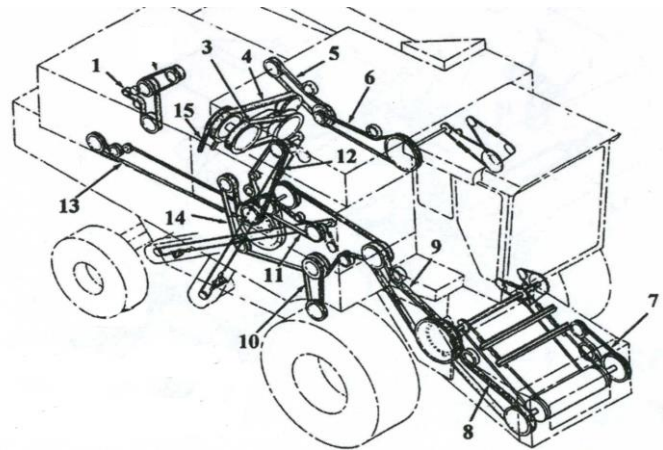


JOHN DEERE STS COMBINE BELTS



#	PART #	DESCRIPTION	MODEL#	PRICE
1	H126345	BELT HEADER / REEL PUMP STD (1 1/4" V)	9560STS, 9570 STS	\$ 99.00
1	H209507	HEADER / REEL PUMP HIGH CAPACITY	9560STS, 9570STS	\$ 289.00
1	H156541	HEADER / REEL PUMP HIGH CAPACITY	9650-70, 9750-70, 9860-70	\$ 269.00
1	H156796	HEADER /REEL PUMP STANDARD	9650-70, 9750-70, 9860	\$ 110.00
1	H229018	HEADER /REEL PUMP W/ MULTI-SPEED FEEDER HOUSE (3 BAND)	9670, 9770, 9870	\$ 250.00
4	AH160080	UNLOADING AUGER	ALL STS	\$ 102.00
5	H219182	DISCHARG BEATER	ALL STS	\$ 79.00
6	HXE15671	(H157514) COUNTER SHAFT/ DISCHARGE BEATER (DUAL BAND)	ALL STS	\$ 90.00
7	H204747	STRAW CHOPPER (LOWER)	9560STS, 9650-60STS, 9750-60STS	\$ 159.00
7	H201571	STRAW CHOPPER (LOWER)	9650 SN <700500, 9750 SN <700600	\$ 96.00
8	H157732	VARIABLE DRIVE FEEDER HOUSE (STD)	9650 SN <700500, 9750 SN <700600	\$ 189.00
8	H205169	VARIABLE DRIVE FEEDER HOUSE (STD)	9650 SN 700501>, 9750 SN 700601>	\$ 150.00
8	H220911	VAR. DRIVE FEEDER HOUSE (HIGH TORQUE)	9660-70, 9760-70, 9860 STS	\$ 309.00
8	H218726	VAR. DRIVE FH (STANDARD) 1.5"	9650 SN 700500>, 9750 SN 700600>	\$ 322.00
8	H201334	FEEDR HOUSE VARIABLE SPEED STD.	9560STS, 9570STS, 9660STS	\$ 159.00
8	H174885	FIXED SPEED FEEDER HOUSE (HD)	9560STS, 9660STS, 9760STS, 9860-70STS	\$ 249.00
8	H203474	FEEDER HOUSE FIXED SPEED	9560STS,9660STS,9760STS,9860STS	\$ 112.00
8	H126345	FIXED SPEED FEEDER HOUSE W/REVERSER	9560STS,9660STS,9760STS	\$ 99.00
9	H218645	CLEAN GRAIN ELEVATOR	9560-70STS, 9650-60STS, 9760STS, 9860STS	\$ 135.00
9	H223230	CLEAN GRAIN ELEVATOR	9770STS, 9870STS	\$ 159.00
10	H221498	VARIABLE ROTOR DRIVE	9560-70, 9650-70, 9750-60STS	\$ 465.00
11	AH150678	JACKSHAFT FRONT (RH)	9650-70, 9750-70, 9860-70STS	\$ 109.00
11	AH202773	(C100) JACKSHAFT FRONT (RH) (2PC.)	9560-70 STS	\$ 59.00
12	H211581	FEED ACCELERATOR (STD)	9560 SN:<715301, 9570, 9660 SN:<715401, 9670, 9760 SN:<715501, 9770, 9860 SN<715601, 9870 STS	\$ 167.00
12	H221731	FEED ACCELERATOR (STD)	9560 SN:<-715300, 9650, 9660 SN:<715400, 9750, 9760 SN:<715500, 9860 <715600	\$ 113.00
12	H221733	FEED ACCELERATOR (HIGH SPEED)	9660-70, 9760-70, 9860, 9870 SN 730100>	\$ 149.50
13	H175587	SHOE FAN	9560STS,9660STS,9760STS,9860STS	\$ 155.00
14	H206048	CLEANING FAN (STD)	9660STS,9760STS,9860STS	\$ 65.00
14	H211601	CLEANING FAN (SLOW SPEED)	9560STS,9660STS,9760STS,9860STS	\$ 66.00
15	H154731	TAILINGS AUGER/ ELEVATOR	ALL STS	\$ 31.00

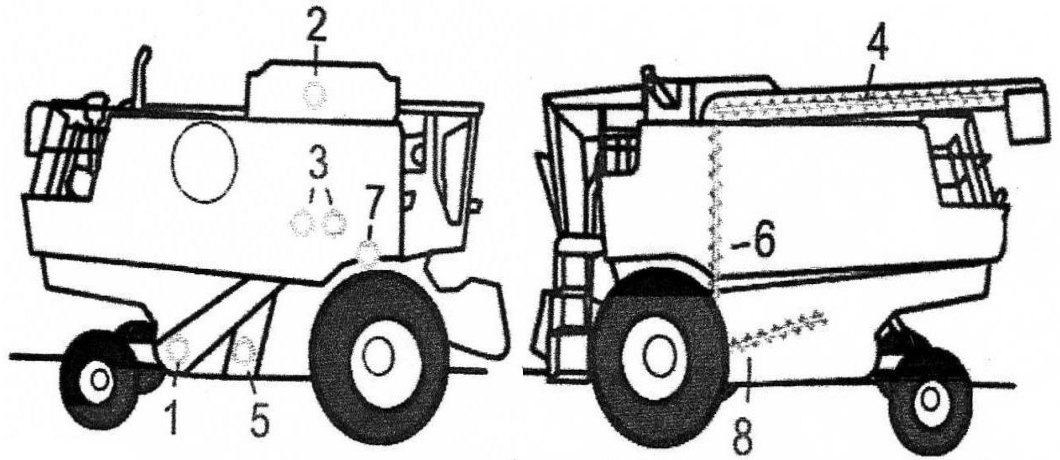
BELTS to FIT C-IH 1400 – 2300 SERIES COMBINES



- | | |
|------------------------------|--------------------------|
| 1. Fan / Alternator | 9. Feeder Drive |
| 3. Rotor Variable Drive | 10. Cleaning Fan Drive |
| 4. Separator Drive | 11. Fan Jackshaft Drive |
| 5. Auxiliary Pump Drive | 12. Elevator Drive |
| 6. Grain Tank Unloader Drive | 13. Straw Spreader Drive |
| 7. Reel Pump Drive | 14. Straw Chopper Drive |
| 8. Feeder Jackshaft Drive | |

#	PART #	DESCRIPTION	TO FIT MODEL #	PRICE
1	610K8	Fan, Alternator, & Water Pump	1666, 1688, 2166, 2188	\$ 18.50
3	244423A1	Rotor Variable Drive	2388 ser.# < JJC0272999 W/ 175" Drive Pulley	\$ 309.00
3	244422A4	Rotor Variable Drive	1480, 1680, 1688, 2188	\$ 299.00
3	244420A1	Rotor Variable Drive	1440, 1460, 1640, 1660, 1666, 2166, 2366	\$ 285.00
3	413159A1	Rotor Variable Drive	2377 SN<-HAJ0295000 W/ 20.5" PULLEY / 2388 SN JJC0273000-HAJ02950000 W/ 20.5" PULLY	\$ 419.00
3	87301455	Rotor Variable Drive	2377 SN-HAJ0295000->, 2388 SN HAJ0295001->, 2577, 2588, 5088	\$ 395.00
4	1330499C1	Separator Drive	1680 W/ Cummins Engine	\$ 189.00
4	191241C2	Separator Drive	1440, 1460, 1620, 1640, 1660, 1666, 2166, 2366	\$ 264.00
4	191244C1	Separator Drive	1480, 1680, 1680 SN <-45689	\$ 219.00
4	1541702C1	Separator Drive	1680 w/Ext Cleaning System, 1688, 2188, 2388 S/N <-JJC0270499	\$ 199.00
5	1970115C1-C96	Auxiliary Pump Drive	1620 SN JJC0032630>, 1620 SN <-97103, 1640, 1660	\$ 26.00
5	124573A1	Auxiliary Pump Drive	2144, 2166, 2188	\$ 79.00
6	191290C1- C130	Grain Tank Unloader Drive	1440, 1460, 1640, 1660	\$ 37.00
6	191291C1	Grain Tank Unloader Drive	1480, 1680	\$ 97.00
6	1989217C1	Grain Tank Unloader Drive	1680 SN JJC0115352>, 1688, 2188, 2377, 2388, 2577, 2588	\$ 97.00
7	1321565C1	Reel Pump Drive	1640 SN JJC0097171 – JJC0097189 w/54 1/2" feeder, 1660 SN JJC010367 – JJC0103799 w/54 1/2" feeder, 1680 SN JJC0115001 – JJC0117059 w/54 1/2" feeder	\$ 45.00
7	1330311C1	Reel Pump Drive	1640 SN JJC0034860 – JJC0097170 w/54 1/2" feeder, 1660 SN JJC0039130 – JJC00103066 w/54 1/2" feeder, 1680 SN JJC0046598 – JJC00115000 w/54 1/2" feeder	\$ 39.00
8	1313095C2	Feeder Jackshaft Drive	1440, 1440 (For 47" Feeder House), 1460, 1460 (For 47" Feeder House), 1640, 1660, 1660 (For 47" Feeder House), 1666	\$ 178.00
8	1308489C2	Feeder Jackshaft Drive	1480, 1688, 2144, 2166, 2188, 2366, 2388 SN <JJC0268799 (ALL for 60" Feeder) 1480, 1680, 1688, 2166, 2188, 2366, 2388 SN<JJC0268799 (ALL for 60" Feeder)	\$ 239.00
8	1313097C3	Feeder Jackshaft Drive	1440 SN <20714, 1460 SN <23247, 1480, 1640, 1660, 1666, 1680, 1688, 2166, 2188, 2366, 2388 SN<JJC0268799 (ALL for 54 1/2" Feeder)	\$ 169.00
9	1315168C1	Feeder Drive	1640, 1660, 1680 ALL w/Rock Trap	\$ 239.00
9	1315169C1	Feeder Drive	1620, 1680 ALL w/rock trap	\$ 112.00
9	1315074C1	Feeder Drive (w/rock trap)	1480, 1680, 1688, 2188, 2377, 2388, 2577, 2588 (ALL w/Rock Trap)	\$ 244.00
10	195396C2	Cleaning Fan Drive	1440, 1460, 1480, 1640, 1660, 1680	\$ 66.00
10	1541569C1	Cleaning Fan Drive	1640 w/Ext Length Cleaning System, 1660 SN JJC0038346>, 1666, 1680 w/Ext Length Cleaning System, 1688, 2166, 2188, 2366 SN <JJC0184544, 2388 SN<JJC0198067	\$ 49.00
10	301146A1	Cleaning Fan Drive	Late 2366 / 2388 AFS / 2588 / 5088 / 6088 / 7088	\$ 47.50
11	188213C1- C124	Fan Jackshaft Drive	1480, 1680, 1688, 2188, 2388 SN <JJC0198067	\$ 33.00
11	191305C1- C108	Fan Jackshaft Drive	1440, 1460, 1640, 1660, 1660 SN<-38346, 1666, 1680, 2166	\$ 29.00
12	181055C1	Elevator Drive	1440, 1460, 1480, 1640, 1660, 1666, 1680, 1688, 2166, 2188, 2366, 2388 (ALL w/Straw Chopper)	\$ 178.00
12,14	186509C2	Elevator Drive	1440, 1460, 1480, 1620, 1640, 1660, 1666, 1680, 1688, 2166, 2188, 2366	\$ 154.00
13	196371C1- B220	Straw Spreader Drive	1440 SN 20715->, 1460 SN 23250->, 1480 SN 24001->, 1482, 1640, 1660, 1666, 1680, 1682, 1688, 2166, 2188, 2366, 2377, 2388, 2577	\$ 36.00
14	1315265C1 (B96/02)	Straw Chopper Drive	1640, 1660, 1666, 1680, 1688, 2166, 2366	\$ 52.00
14	1315266C1	Straw Chopper Drive	1680, 1688, 2188, 2377, 2388, 2577, 2588	\$ 93.00
	C105 (K20047)	C-IH 1020 Drive Belt	7/8" x 109", 460-500 rpm. w/ 3" Cutting System	\$ 29.00

AUGERS TO FIT C-IH 1400-2500 SERIES COMBINES



#	PART #	LENGTH	DESCRIPTION	TO FIT C-IH MODEL #	PRICE
1	191734C1	62.5"	Lower Tailings	1440, 1460, 1640, 1644, 1660, 1666	\$157.00
1	192549C2	85.250"	Lower Tailings	1480, 1680, 1688	\$339.00
2	1319710C1	81.500"	Grain Delivery	1440-60 (* Need Update #1319967C91 OEM PURCHASED)	\$219.00
2	1318912C3	79.060"	Grain Delivery; 1 1/4" Shaft	1640, 1660, 1666, 2166, 2366	\$297.00
2	249275A1	47.375"	Grain Delivery	1660, 1666, 1680, 1688, 2166, 2188, 2588, 2366,, 2388	\$554.00
2	320724A3	47.5"	INCLINED GRAIN DELIVERY STAINLESS	ALL 1600- 2300 AFS	\$715.00
2	162103C91	11.375"	Grain Delivery (For Corn & Grain)	1420, 1440, 1460, 1480, 1620, 1640, 1660, 1666, 2166, 815, 915	\$ 89.00
3	87617556	110.375"	Grain Tank Bottom OLD# 192784C2	1440, 1460, 1480, 1640, 1660, 1666, 1680, 1688, 2166, 2188, 2366, 2388	\$449.00
4	1347499C2	182.875"	UNLOADING	1640 SN <JJC0097103, 1660 SN <JJC0102897, 1680 SN <JJC0115382	\$875.00
4	192845C2	146.250"	Unloading	1420, 1440, 1460, 1480, Early 1640	\$529.00
4	1317935C1	182.125"	Unloading (PIN STYLE)	1460, 1470, 1480, 1640 SN <-JJC0097103, 1660 SN <-JJC0102897, 1680 SN <-JJC0115352, 1682	\$550.00 SALE
4	1317680C2	89.250"	Unloading, Rear Split, 172" (14.3')	1660 SN JJC0038346>, 1666, 1680, 1688, 2166, 2188, 2366, 2388	\$424.00
4	282176A2	90.500"	Unloading, Front Split, 172/208"	1660, 1666, 1680, 1688, 2166, 2188, 2366, 2388	\$559.00
4	199023A1	125.250"	Unloading, Rear Split, 208" (17.3')	1660, 1666, 1680, 1688, 2166, 2366, 2188, 2388	\$529.00
4	1317891C1	96.187"	Unloading, Front Split 172"	1660 (SN<JJC002897), 1680 (SN<JJC0115352)	\$512.00
5	1319169C1	70.310"	Clean Grain	1440, 1460	\$187.00
5	1317484C2	68.750"	Clean Grain	1640, 1660, 1666, 1670, 2166, 2366	\$182.00
5	1317409C1	76.000"	Clean Grain	1680, 1688	\$243.00
5	143959A2	76.375"	Clean Grain	2188, 2388	\$279.00
5	1319173C1	76.000"	Clean Grain	1480	\$197.00
6	192835C1	49.125"	Vertical Unloading	1440, 1460, 1480, 1640 SN <-JJC0097103, 1660 SN <-JJC0102897, 1680 SN <-JJC0115352	\$447.00
6	1347389C1	49.750"	Vertical Unloading	1640 SN JJC0097103-7, 1666, 1688, 2166, 2188, 2366, 2388, 1640 SN JJC0097103->, 1660 SN JJC0102897->, 1680 SN JJC0115352->	\$395.00
7	192563C1	37.625"	Tailings Delivery	1480, 1680, 1688, 2188, 2388	\$183.00
7	193225C1	25.625"	Tailings Delivery	1440, 1460, 1640, 1660, 1666, 2144, 2166, 2366, 2340	\$174.00
8	1308541C1	78.250"	Grain Bed - 4 required 7/8" Hex Shaft	1420, 1440, 1460, 1480, 1620, 1640, 1660, 1666, 1680, 1688, 2166, 2188, 2366, 2388	\$151.00
8	193398C1	78.250"	Grain Bed - 4 required 1.125" Hex Shaft	1440 SN <30000 / 1460 SN < 32023 1480 SN <34000	\$147.00

Augers for most Combines are Available!

CASE IH AFX Rotor Update Kit

FOR 40/60 & 80 SRIES COMBINES



AFX ROTOR KIT FEATURES:
 *Smooth And Even Feeding
 *More Consistent Material Flow
 *Reduced Horsepower Requirement
 *Increased Capacity



PART #	MODEL	DESCRIPTION	PRICE
A-RFAFX60	1440,1460,1640,1644,1666, 2144,2166,2366	AFX CONVERSION FRONT KIT	\$ 1795.00
A-RFAFX80	1480,1680,1688,2188, 2388,2577,2588	AFX CONVERSION FRONT KIT	\$ 2135.00

CASE IH ROTOR TRANSITION CONES

FOR 1400-2500 SERIES



PART #	MATERIAL	VANES	MODEL	PRICE
A-186032C1	3/16"	STD.	14-1620	\$ 1390.00
A-365928A2	1/4"	STD.	1440-2366	\$ 1535.00
A-437318A1	3/16"	STD.	1480-2588	\$ 1299.00
A-443123A1	1/4"	STD.	1480-2588	\$ 1470.00
A-428878A1	1/4"	S.S.	1480-2588	\$ 1755.00



Loewen Rotor Cones Are Made Of C1045 High Carbon Abrasive Resistant Steel, And Are Designed Only With One Welded Seam For Less Wear Points And Longer Life. 3/16" And 1/4" Cones Are Available With 3/16" Vanes In Standard Or Stainless Steel.

COMBINE STRAW CHOPPER PARTS

PART #	TYPE	MODEL	DESCRIPTION	PRICE EA.
A-H215004	JD	9400-9650	STATIONARY KNIFE	\$ 6.95
AH171588	JD	4400-9660	6 PC. STRAIGHT BLADE SET	\$ 35.50
AH205909	JD	9550-9860	4 PAIR PADDLE SET	\$ 69.75 SALE
AH171588-DB	JD	4400-9660	6 PC. DOUBLE BEVEL SET	\$ 49.75
A-H114535	JD	4420-9660 CTS	RH STD. FIN (NEXT TO THE END)	\$ 26.95
A-H114536	JD	4420-9660 CTS	LH STD. FIN (NEXT TO THE END)	\$ 26.95
A-H114537	JD	4420-9660 CTS	RH INNER STD. FIN	\$ 19.80
A-H114538	JD	4420-9660 CTS	LH INNER STD. FIN	\$ 19.80
A-H130948	JD	4420-9660 CTS	LH OUTER STD.	\$ 31.95
A-H130949	JD	4420-9660 CTS	RH OUTER STD.	\$ 29.50
A-H150401	JD	9500-9860	RH WIDE SPREAD FIN	\$ 39.90
A-H150402	JD	9500-9860	LH WIDE SPREAD FIN	\$ 39.90
A-H150403	JD	9500-9860	RH WIDE SPREAD INNER FIN	\$ 21.75
A-H150404	JD	9500-9860	LH WIDE SPREAD INNER FIN	\$ 21.75
AH143048	JD	9400-9660CTS	CHOPPER FLOOR	\$ 449.50
AH137792	JD	9400-9560CTS	CHOPPER VANE SUPPORT	\$ 289.00
AH125998	JD	9600-9660CTS	CHOPPER VANE SUPPORT	\$ 269.00
B96349	CIH	1420-2377	2 PC. PLAIN KNIFE SET	\$ 26.95
396960A1	CIH	2344-2388	U SHAPE BLADE	\$ 12.25
396962A1	CIH	2344-2388	SINGLE ANGLE KNIFE	\$ 9.80
442832A1	CIH	1420-2366	2 PC. BLADE	\$ 27.50
87315088	CIH	2377-2388	U SHAPE BLADE	\$ 27.50

