

LEGENDS/SYMBOLS

	FINISHED WOOD		PLYWOOD
	DIMENSION LUMBER		BATT INSULATION
	FACE BRICK		GROUT
	RIGID INSULATION		GLAZED TILE
	CUT STONE		MARBLE
	CONCRETE		ACOUSTICAL CEILING
	CONCRETE BLOCK		SHIM PACK
	STEEL IN SECTION		ALUMINUM

DENOTES BLOCKING OR SHIM, NOT CONTINUOUS, NOT NECESSARILY ONE PIECE & NOT BY THEUT GLASS

DENOTES BACKER ROD OR CAULK ROPE - N.B.E.

ANCHOR LOCATION

FASTENER LOCATION

DIMENSIONAL REFERENCE / ELEVATION

WORKING POINT

FIELD APPLIED SEALANT (NOT BY THEUT)

SHOP DRILL

FIELD DRILL

GLAZING INDICATION NUMBER

2 ← DETAIL NUMBER

5.01 ← SHEET NUMBER

A WINDOW MARK

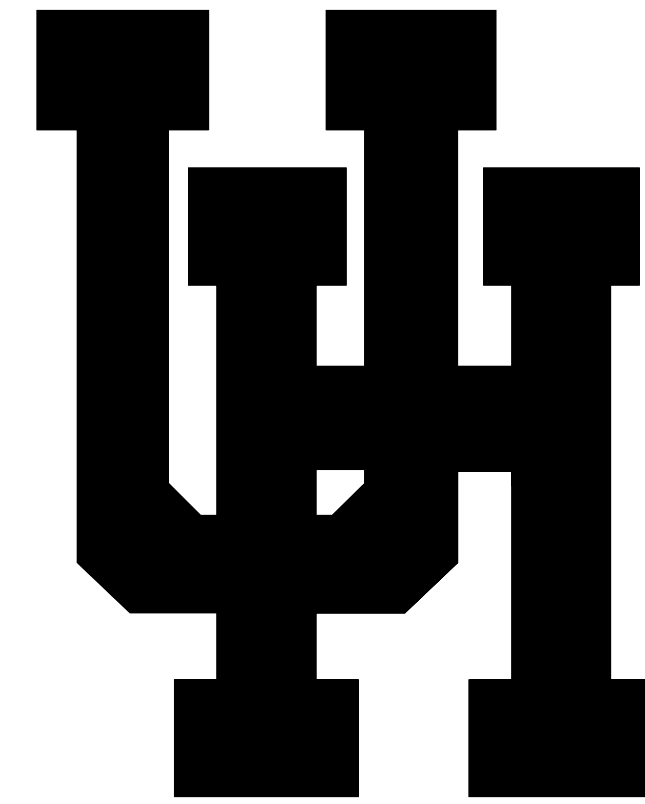
1 REVISION NO. (SMALL TRIANGLE)

A DOOR NUMBERS

A
4.01 ELEVATION LOCATION-VIEW POINT
ELEVATION MARK/TITLE
ELEVATION SHEET NUMBER

DENOTES NORTH DIRECTION

576 UNIV. OF HOUSTON
FLEMING TEACHING LAB



ARCHITECT:
ARCHITECT NAME AND ADDRESS

ERECTOR
CUSTOMER NAME AND ADDRESS

THE FOLLOWING DOCUMENTS WERE USED TO APPLY MANUFACTURERS CONFIRMED QUOTED JOB SCOPE TO THE JOB CONDITIONS.

DATED: 6/17/10
ARCHITECTURAL DRAWINGS:

CUSTOMER TAKEOFF: YES _____

SPECIFICATIONS: 08710 08800 _____

ADDENDUM: NA _____

OTHER: NA _____

THE FOLLOWING IS A LIST OF ITEMS THAT DEVIATE FROM THE PROJECT SPECIFICATIONS. IF NO CHANGES ARE NOTED ON THE SHOP DRAWINGS OR TO COMMENTS SHOWN BELOW, MANUFACTURER WILL PRODUCE & SUPPLY MATERIAL AS OUTLINED IN THE APPROVED SUBMITTED SHOP DRAWINGS.

A
B
C
D
E
F
G
H
I
J

INDEX

SHEET NUMBER	DESCRIPTION
.01	COVER-SHEET
.02	GENERAL-INFO
1.01-1.08	FLOOR-PLANS
2.01-2.12	WINDOW-ELEVATIONS
3.01-3.11	DETAILS
4.01-4.07	SUNSHADES

ABBREVIATIONS

A/C = ACCESS CONTROLLED	N.I.C. = NOT IN CONTRACT
A.F.F. = ABOVE FINISHED FLOOR	N.T.S. = NOT TO SCALE
B.O. = BY OTHERS	O.D. = OPENING DIMENSION
B.O.H. = BOTTOM OF HORIZONTAL	O.F.D. = OVERALL FRAME DIMENSION
C = CENTER LINE	REF. = REFERENCE
DIM. = DIMENSION	R.O. = ROUGH OPENING
D.L.O. = DAYLIGHT OPENING	T.O.F.F. = TOP OF FINISHED FLOOR
D.L. = DEAD LOAD (ANCHOR)	T.O.H. = TOP OF HORIZONTAL
D.O. = DOOR OPENING	T.O.S. = TOP OF SLAB
EL. = ELEVATION	T.O.STL. = TOP OF STEEL
F.D. = FRAME DIMENSION	U.N.O. = UNLESS NOTED OTHERWISE
F.F. = FINISH FLOOR	W.C. = WEB CENTER
G.C. = GENERAL CONTRACTOR	W.D. = WINDOW DIMENSION
M.O. = MASONRY OPENING	W.L. = WIND LOAD (ANCHOR)
M.L. = MULLION LENGTH	W.P. = WORKING POINT
N.B.T.G. = NOT BY THEUT GLASS	

				2ND REV. (ENGINEER REVIEW)	3/17/11				
				1ST. REVISION	2/1/11				
				1ST. SUBMISSION	10/20/10				
				NO					
								DESCRIPTION	DATE
									DRAWING SUBMISSION

CUSTOMER NAME AND ADDRESS OR PROJECT NAME AND ADDRESS

PROJECT NAME AND ADDRESS

PROJECT:	ARCHITECT:	CUSTOMER:	
DRAWN BY: CCW	DATE: 10/20/10		
CHECKED BY: ST	DATE: 10/20/10		
JOB NO.:	FLEMING		
SHEET NO.:	.01		

PRODUCT TYPES

THERMAL WINDOWS 4150
 FIXED WINDOWS
 (W-1) (W-2)
 VISTAWALL RELIANCE 2 1/2" X 8 1/4" CURTAIN WALL SYSTEM
 FRONT SET TO ACCEPT 1" GLASS (WW-1047 FACE CAP)
 (W-3) (W-4) (AL-1) (AL-2) (AL-3) (AL-4) (AL-5) (AL-6) (AL-7) (AL-8) (AL-9) (AL-10) (AL-11) (AL-12) (AL-13) (AL-14) (AL-15) (AL-16) (AL-17) (AL-18) (AL-19) (AL-20)

VISTAWALL RELIANCE 2 1/2" X 7 1/4" CURTAIN WALL SYSTEM
 FRONT SET TO ACCEPT 1" GLASS (WW-110 FACE CAP)
 (AL-1) (AL-2) (AL-3) (AL-4) (AL-5) (AL-6) (AL-7) (AL-8) (AL-9) (AL-10) (AL-11) (AL-12) (AL-13) (AL-14) (AL-15) (AL-16) (AL-17) (AL-18) (AL-19) (AL-20)

VISTAWALL MEDIUM STILE DOORS WITH 12" BOTTOM RAILS
 (107) (108) (114) (115) (116) (128) (129) (215) (230) (314) (328) (415) (416)

FINISH TYPE AND COLOR:

KYNAR PAINTED
 2 COAT
 3 COAT

NOTES:

- 1) ALL WATER PROOFING MEMBRANE IS SUPPLIED AND INSTALLED BY OTHERS.
- 2) ALL INTERIOR FINISH CAULKING IS BY OTHERS.
- 3) ALL BREAK METAL FLASHING CALLED OUT AS "BY METAL PANEL MANUFACTURER" IS BY OTHERS.
- 4) ALL BREAK METAL FLASHING, UNLESS SHOWN ON THESE DRAWINGS, IS BY OTHERS.

FINISH DESCRIPTION:
 WINDOWS - KYNAR "BRIGHT SILVER"

STOREFRONT DOORS - KYNAR "BRIGHT SILVER"
 CURTAINWALL FACE CAPS - KYNAR "BRIGHT SILVER"
 CURTAINWALL BACK MEMBERS - CLEAR ANODIZED
 CURTAINWALL BACK MEMBERS - @ VESTIBULES CLEAR ANODIZED

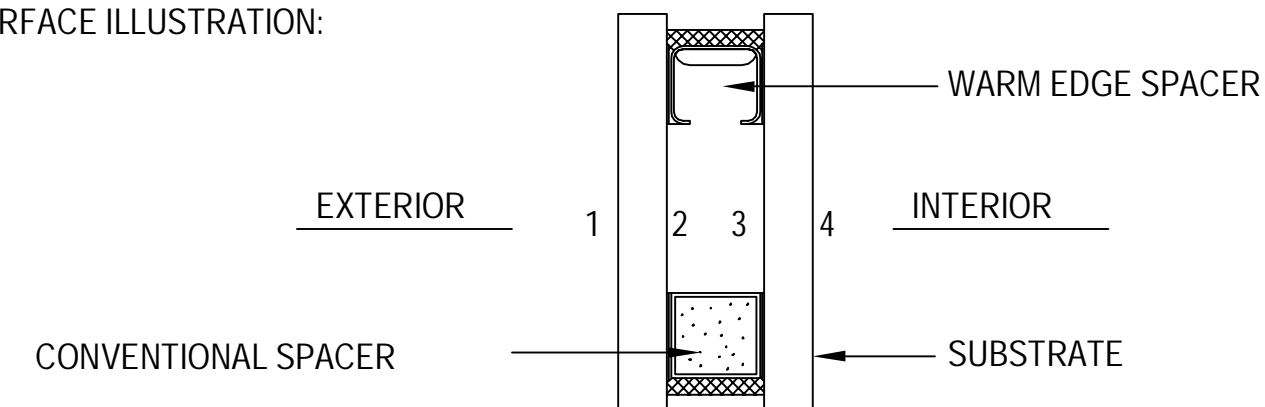
COLOR DESCRIPTION:

COLOR TO BE SELECTED BY ARCHITECT

SPECIAL NOTES:

GLASS SCHEDULE

GLASS SURFACE ILLUSTRATION:



GLAZING TYPE	DESCRIPTION	SUPPLIED BY		GLAZED BY	
		VISTAWALL	THEUT	VISTAWALL	THEUT
(G1)	1" VISION ANNEALED/ANNEALED OUTBOARD - 1/4" CLEAR ANNEALED - SPACER - 1/2" AIRSPACE INBOARD - 1/4" CLEAR ANNEALED WITH SOLARBAN 60 LOW-E ON #3 SURFACE		X		X
(G11)	1" VISION TEMPERED/TEMPERED OUTBOARD - 1/4" CLEAR TEMPERED - SPACER - 1/2" AIRSPACE INBOARD - 1/4" CLEAR TEMPERED WITH SOLARBAN 60 LOW-E ON #3 SURFACE		X		X
(G2)	1" SPANDREL HEAT STRENGTHENED/HEAT STRENGTHENED OUTBOARD - 1/4" CLEAR HEAT STRENGTHENED SPACER - 1/2" AIRSPACE INBOARD - 1/4" CLEAR TEMPERED - WITH WHITE SPANDREL ON #4 SURFACE SPANDREL - WHITE OPACI-COAT 300 #0-0310 HIGH OPACING WHITE (6MM PPG CLEAR)		X		X
(G3)	1" VISION ANNEALED/ANNEALED OUTBOARD - 1/4" CLEAR ANNEALED SPACER - 1/2" AIRSPACE INBOARD - 1/4" CLEAR ANNEALED		X		X
(G31)	1" VISION TEMPERED/TEMPERED OUTBOARD - 1/4" CLEAR TEMPERED - SPACER - 1/2" AIRSPACE INBOARD - 1/4" CLEAR TEMPERED		X		X

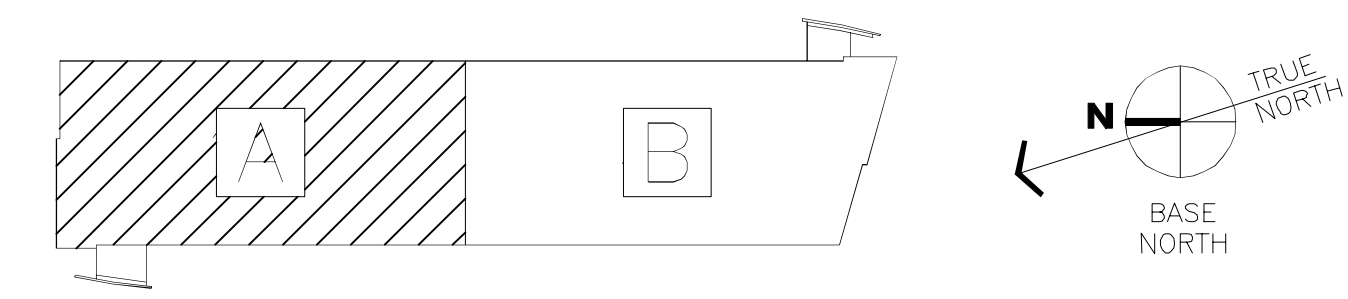
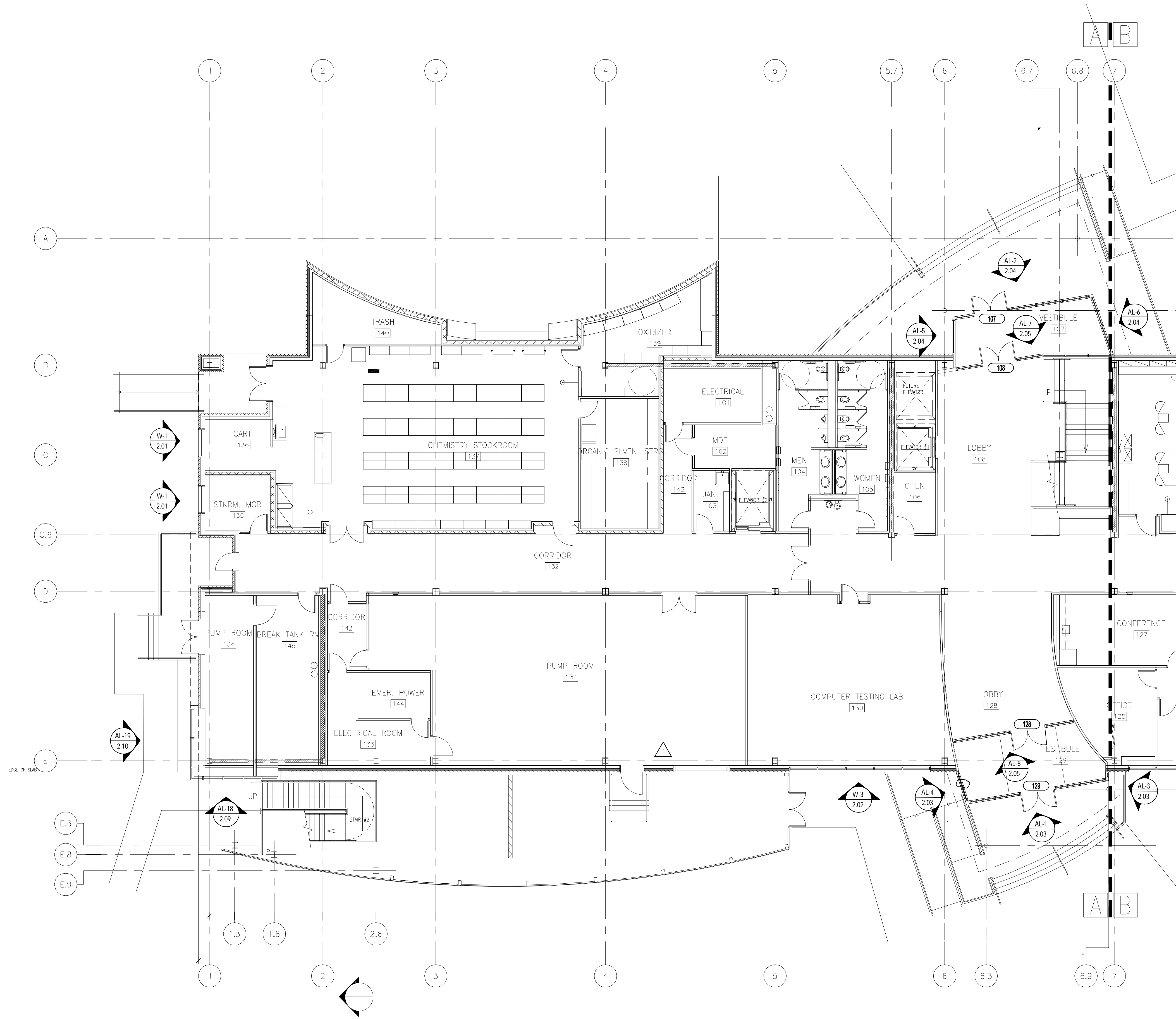
DOOR SCHEDULE

DOOR	HW	HAND	DOOR OPENING	FRAME	FRAMING	LOCATION
107	10.2	PAIR	6'-0" X 8'-0"	AL-2	RELIANCE	VESTIBULE 107
108	20.1	PAIR	6'-0" X 8'-0"	AL-7	RELIANCE	VESTIBULE 107
115	10.1	PAIR	6'-0" X 6'-11"	AL-9	RELIANCE	VESTIBULE 115
116	20.1	PAIR	6'-0" X 6'-11"	AL-9	RELIANCE	VESTIBULE 115
128	20.1	PAIR	6'-0" X 8'-0"	AL-8	RELIANCE	VESTIBULE 128
129	10.2	PAIR	6'-0" X 8'-0"	AL-1	RELIANCE	VESTIBULE 128

DOOR NOTES:

- DOORS ARE MEDIUM STILE WITH 12" BOTTOM RAILS
- ALL DOOR HARDWARE IS SUPPLIED BY OTHERS
- DOORS WILL BE PREPPED FOR HARDWARE FROM APPROVED HARDWARE SCHEDULE. HARDWARE SCHEDULE WILL NEED TO BE PROVIDED PRIOR TO DOOR FABRICATION IS RELEASED.
- DOORS ARE SET UP TO RECEIVE 1" GLAZING

PROJECT:	CUSTOMER NAME AND ADDRESS OR PROJECT NAME AND ADDRESS
DRAWN BY:	CCW
CHECKED BY:	ST
JOB NO.:	FLEMING
SHEET NO.:	.02
DATE:	10/20/10
ARCHITECT:	
CUSTOMER:	
2ND REV. (ENGINEER REVIEW):	3/17/11
1ST. REVISION:	2/11/11
1ST. SUBMISSION:	10/20/10
NO.	DESCRIPTION
DRAWING SUBMISSION	



ARCH/G.C. NOTE:

FLOOR PLANS ARE PROVIDED FOR OPENING TYPE LOCATION ONLY. REFER TO SPECIFIC MARK ELEVATIONS FOR SIZE REFERENCE DIMENSIONING, MULLION SPACING, ETC.

1ST FLOOR PLAN PLAN "A"

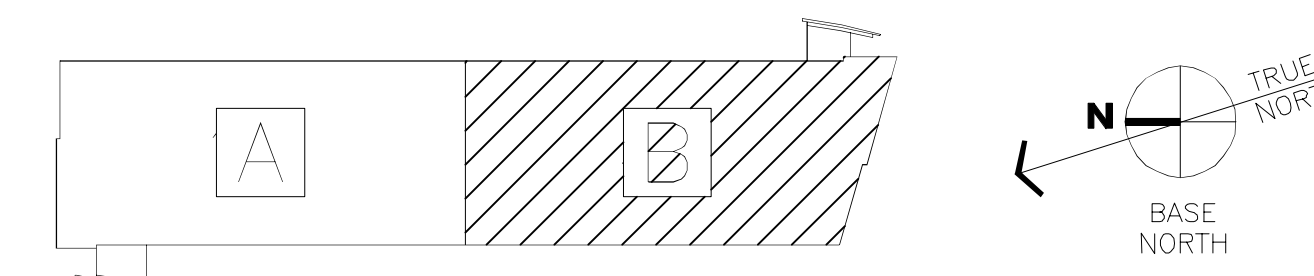
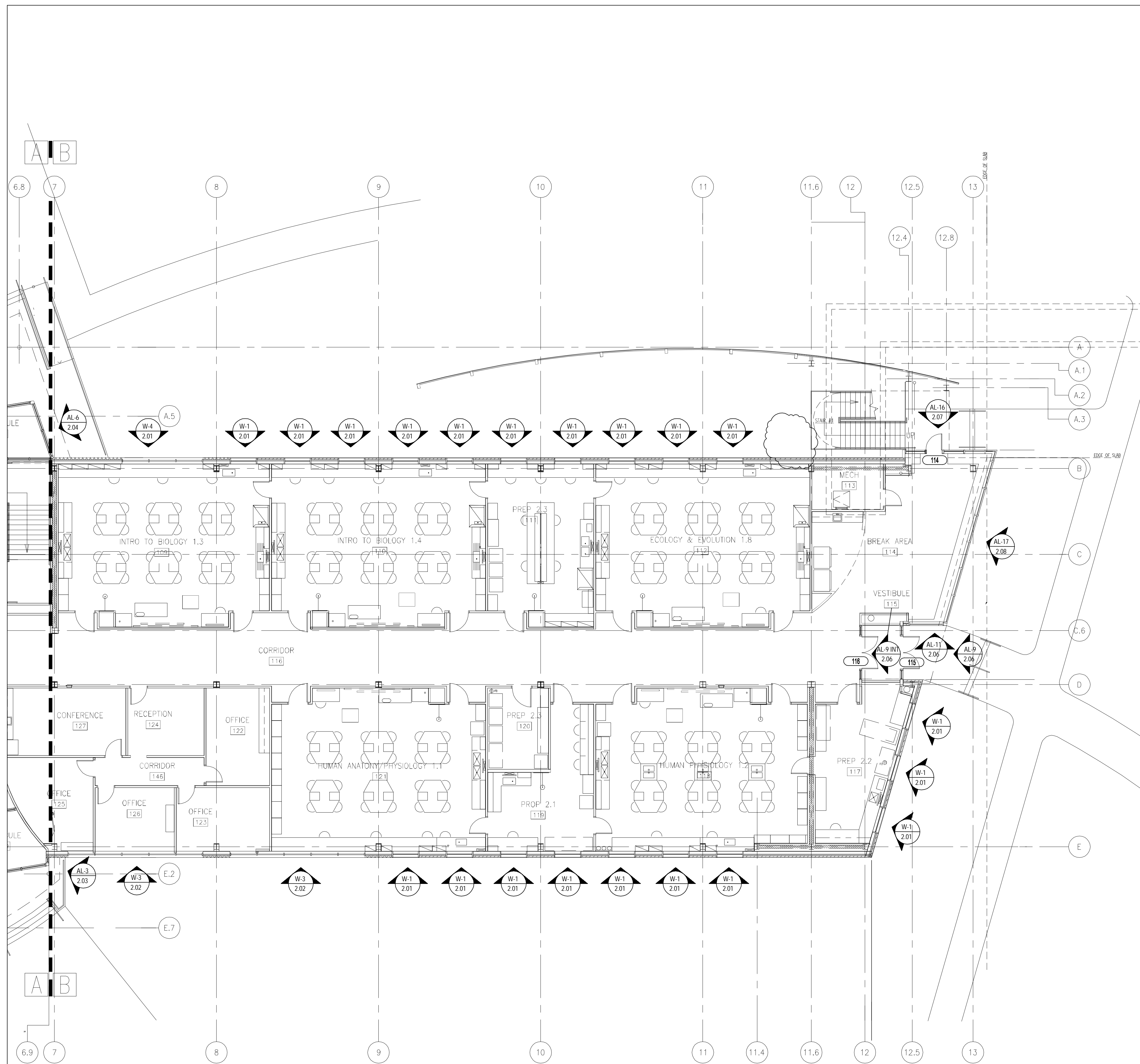
N.T.S.

ARCHITECTURAL REFERENCE A2.01A

	2ND. REV. (ENGINEER REVIEW)	3/17/11	
	1ST. REVISION	2/1/11	
	1ST. SUBMISSION	10/20/10	
	NO		DATE
			DESCRIPTION
			DRAWING SUBMISSION

PROJECT NAME AND ADDRESS OR
CUSTOMER NAME AND ADDRESS

PROJECT NAME AND ADDRESS	
PROJECT:	
DRAWN BY:	CCW
CHECKED BY:	ST
JOB NO.:	FLEMING
SHEET NO.:	1.01
DATE:	10/20/10
DATE:	10/20/10
ARCHITECT:	
CUSTOMER:	



ARCH/G.C. NOTE:

FLOOR PLANS ARE PROVIDED FOR OPENING TYPE LOCATION ONLY. REFER TO SPECIFIC MARK ELEVATIONS FOR SIZE REFERENCE DIMENSIONING, MULLION SPACING, ETC.

1ST FLOOR PLAN PLAN "B"

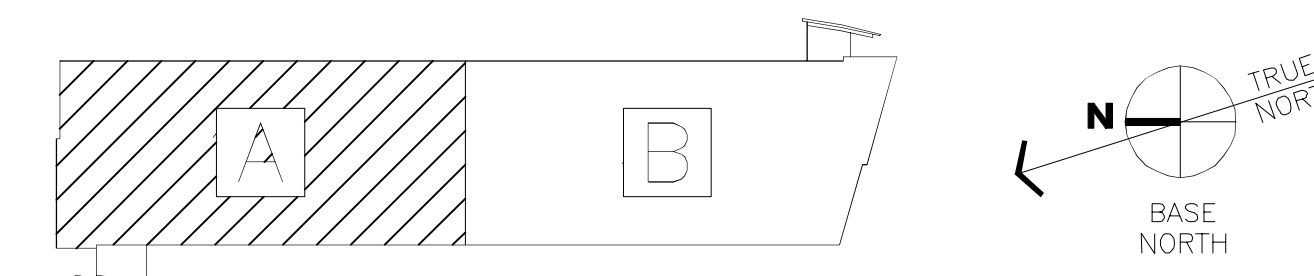
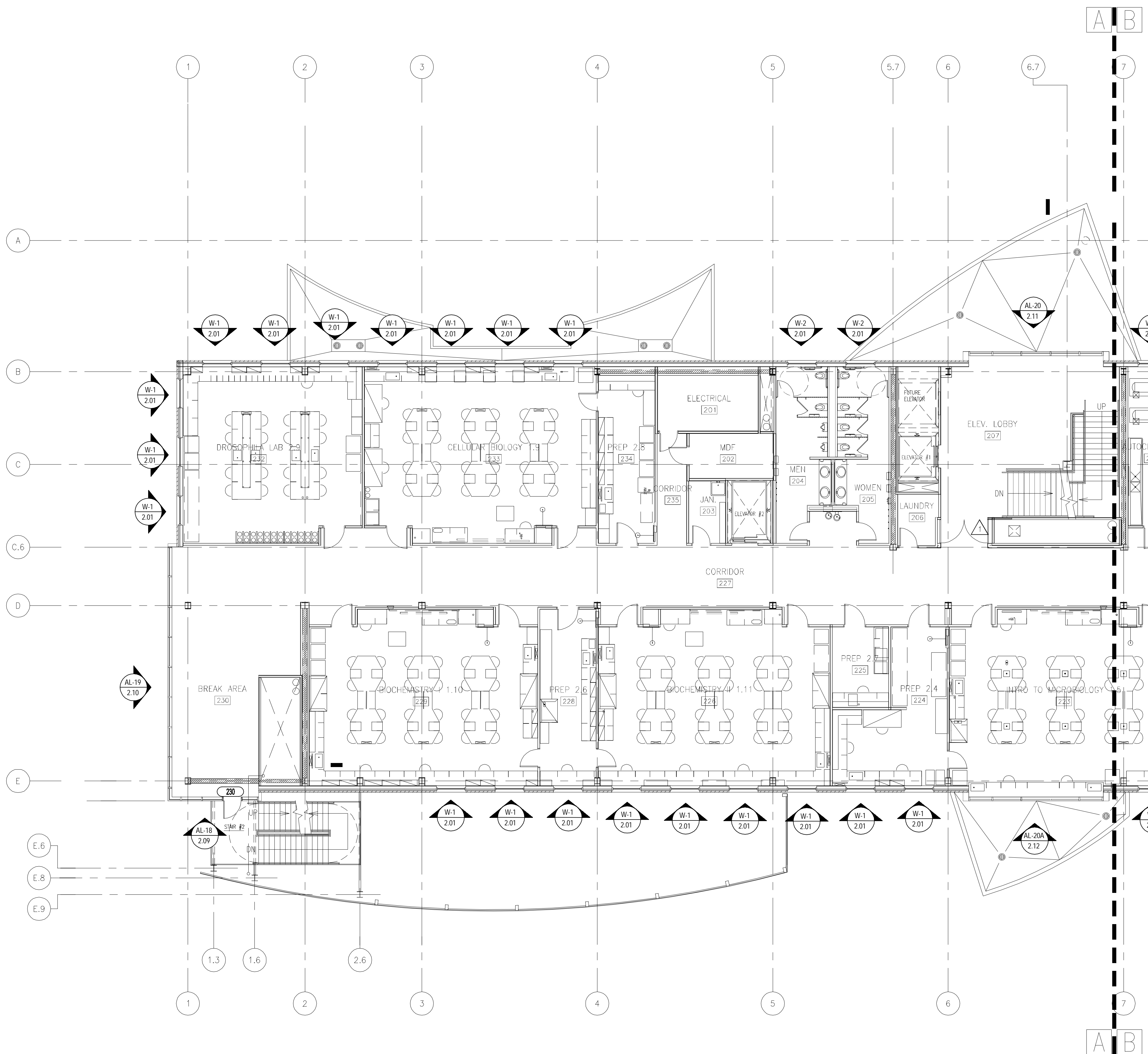
N.T.S.
ARCHITECTURAL REFERENCE A2.01B

NO	DESCRIPTION	DATE
2ND. REV. (ENGINEER REVIEW)		3/17/11
1ST. REVISION		2/1/11
1ST. SUBMISSION		10/20/10

PROJECT NAME AND ADDRESS OR
CUSTOMER NAME AND ADDRESS

PROJECT:	PROJECT NAME AND ADDRESS
DRAWN BY:	CCW
CHECKED BY:	ST
JOB NO.:	FLEMING
SHEET NO.:	1.02
DATE:	10/20/10
DATE:	10/20/10
ARCHITECT:	
CUSTOMER:	

DRAWING SUBMISSION



ARCH/G.C. NOTE:

FLOOR PLANS ARE PROVIDED FOR OPENING TYPE LOCATION ONLY. REFER TO SPECIFIC MARK ELEVATIONS FOR SIZE REFERENCE DIMENSIONING, MULLION SPACING, ETC.

2ND FLOOR PLAN PLAN "A"

N.T.S.

ARCHITECTURAL REFERENCE A2.02A

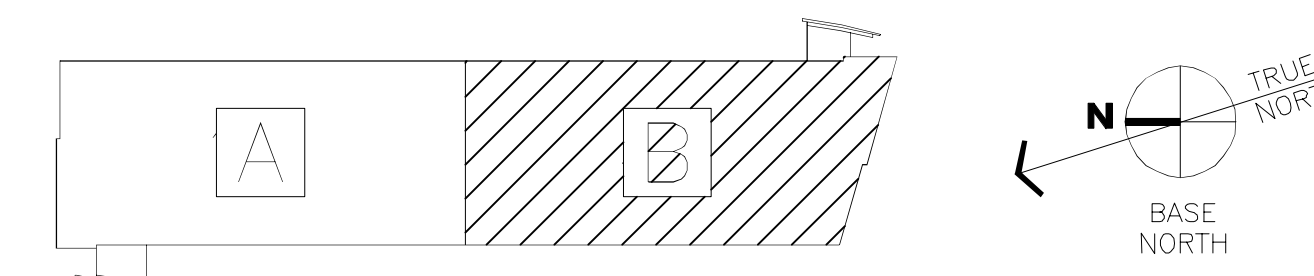
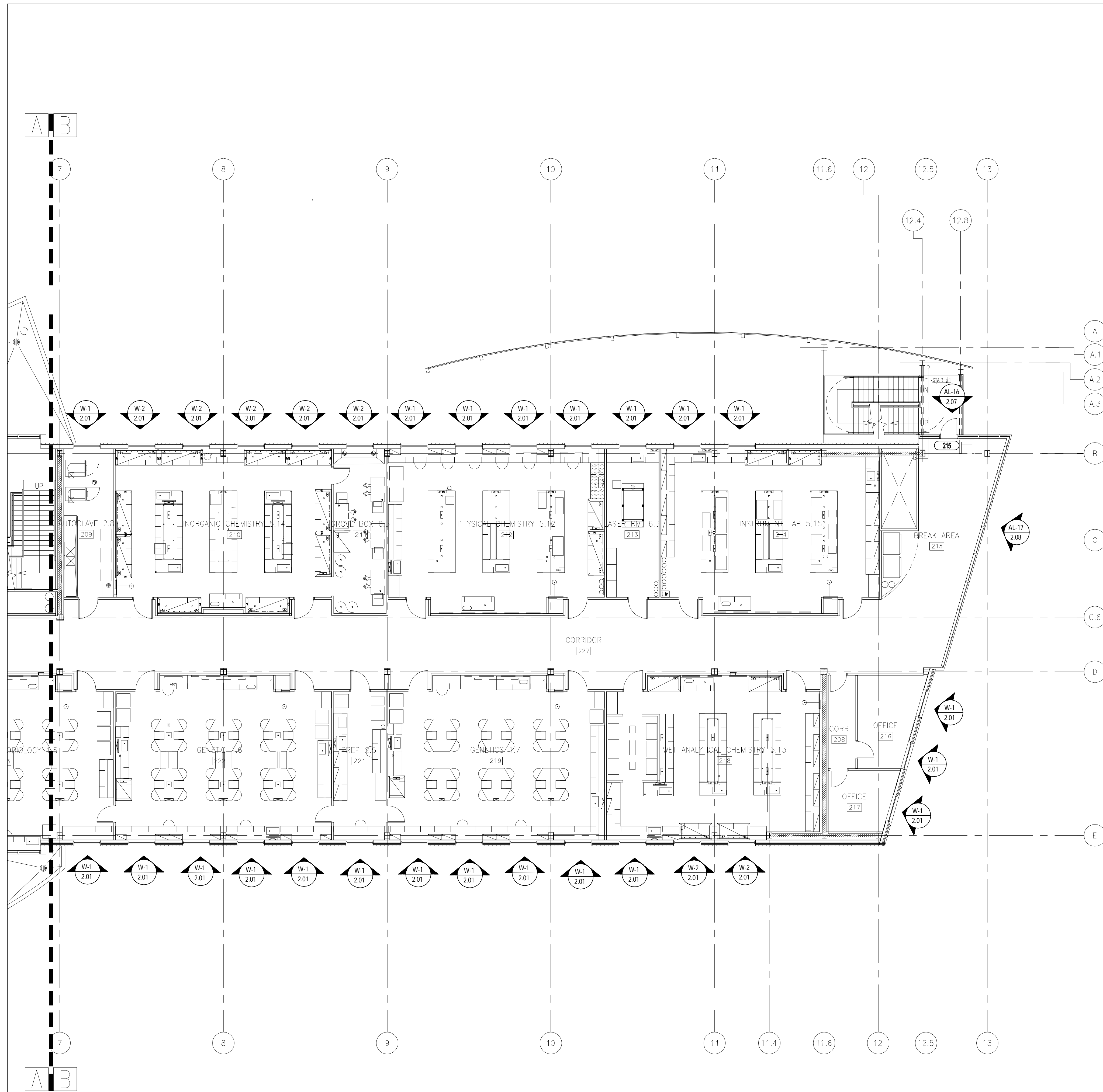
NO	DESCRIPTION	DATE
2ND. REV. (ENGINEER REVIEW)	3/17/11	
1ST. REVISION	2/11/11	
1ST. SUBMISSION	10/20/10	

PROJECT NAME AND ADDRESS OR
CUSTOMER NAME AND ADDRESS

PROJECT NAME AND ADDRESS

PROJECT:	ARCHITECT:	CUSTOMER:
DRAWN BY: CCW	DATE: 10/20/10	
CHECKED BY: ST	DATE: 10/20/10	
JOB NO: FLEMING		
SHEET NO: 1.03		

DRAWING SUBMISSION



ARCH/G.C. NOTE:

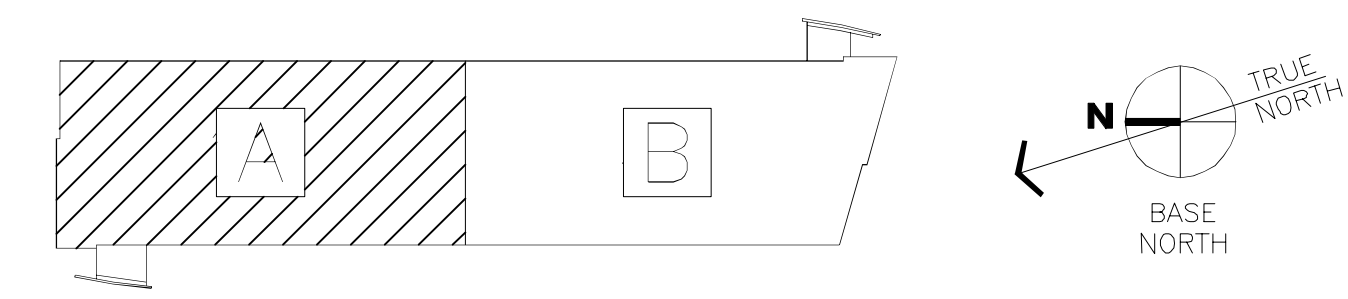
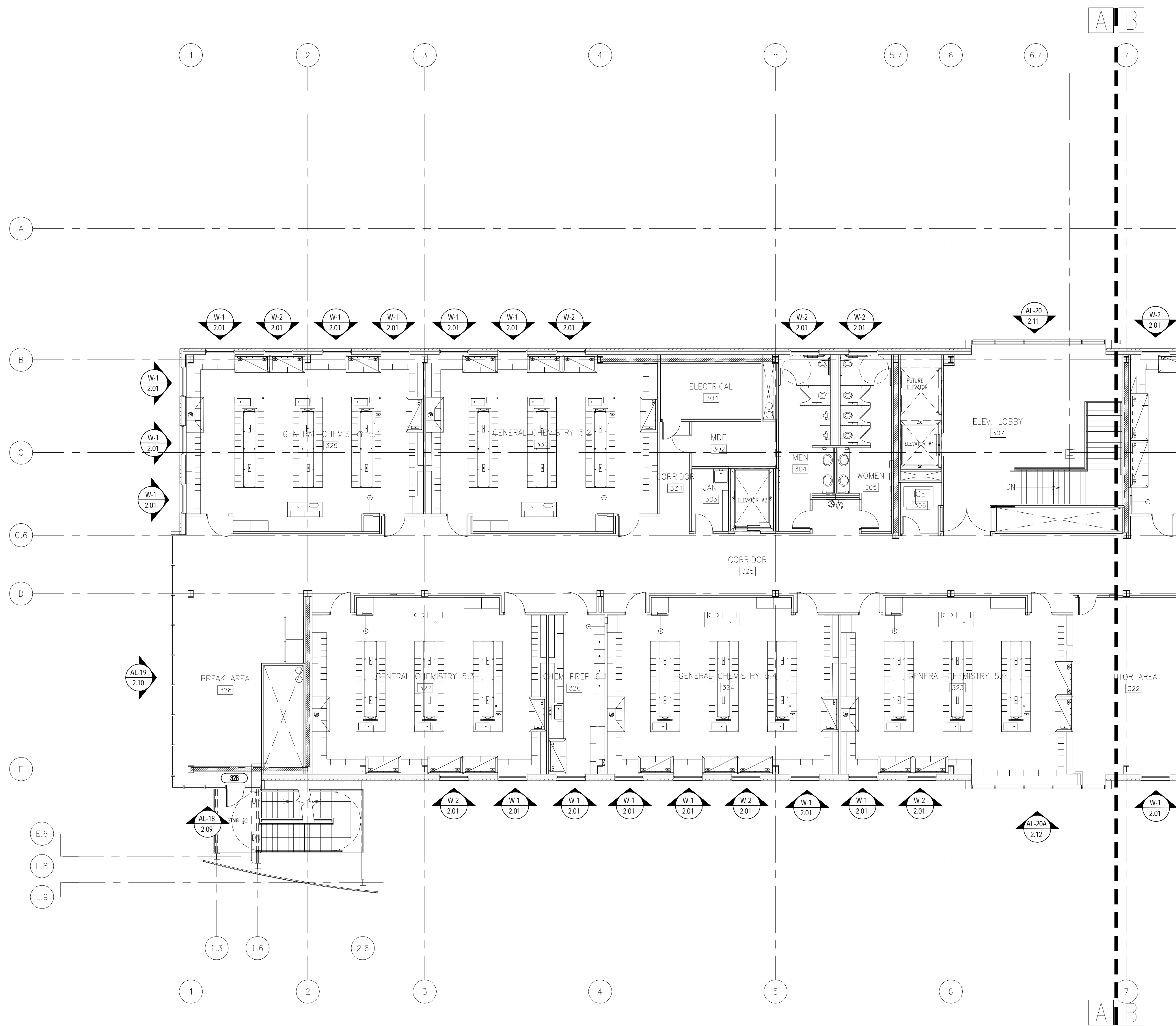
FLOOR PLANS ARE PROVIDED FOR OPENING TYPE LOCATION ONLY. REFER TO SPECIFIC MARK ELEVATIONS FOR SIZE REFERENCE DIMENSIONING, MULLION SPACING, ETC.

2ND FLOOR PLAN PLAN "B"

N.T.S.

ARCHITECTURAL REFERENCE A2.02B

PROJECT NAME AND ADDRESS OR CUSTOMER NAME AND ADDRESS		DRAWING SUBMISSION	
PROJECT:	ARCHITECT:	NO	DATE
DRAWN BY: CCW	DATE: 10/20/10	2ND. REV. (ENGINEER REVIEW) 3/17/11	
CHECKED BY: ST	DATE: 10/20/10	1ST. REVISION 2/11/11	
JOB NO.: FLEMING		1ST. SUBMISSION 10/20/10	
SHEET NO.: 1.04			



ARCH/G.C. NOTE:

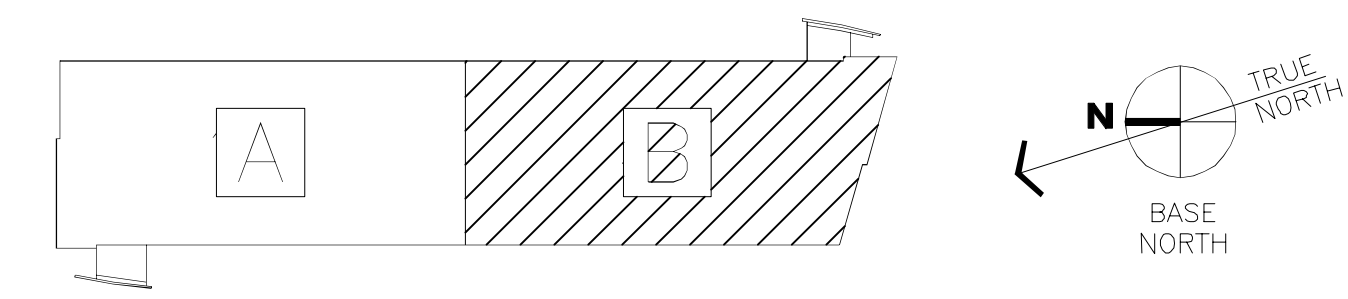
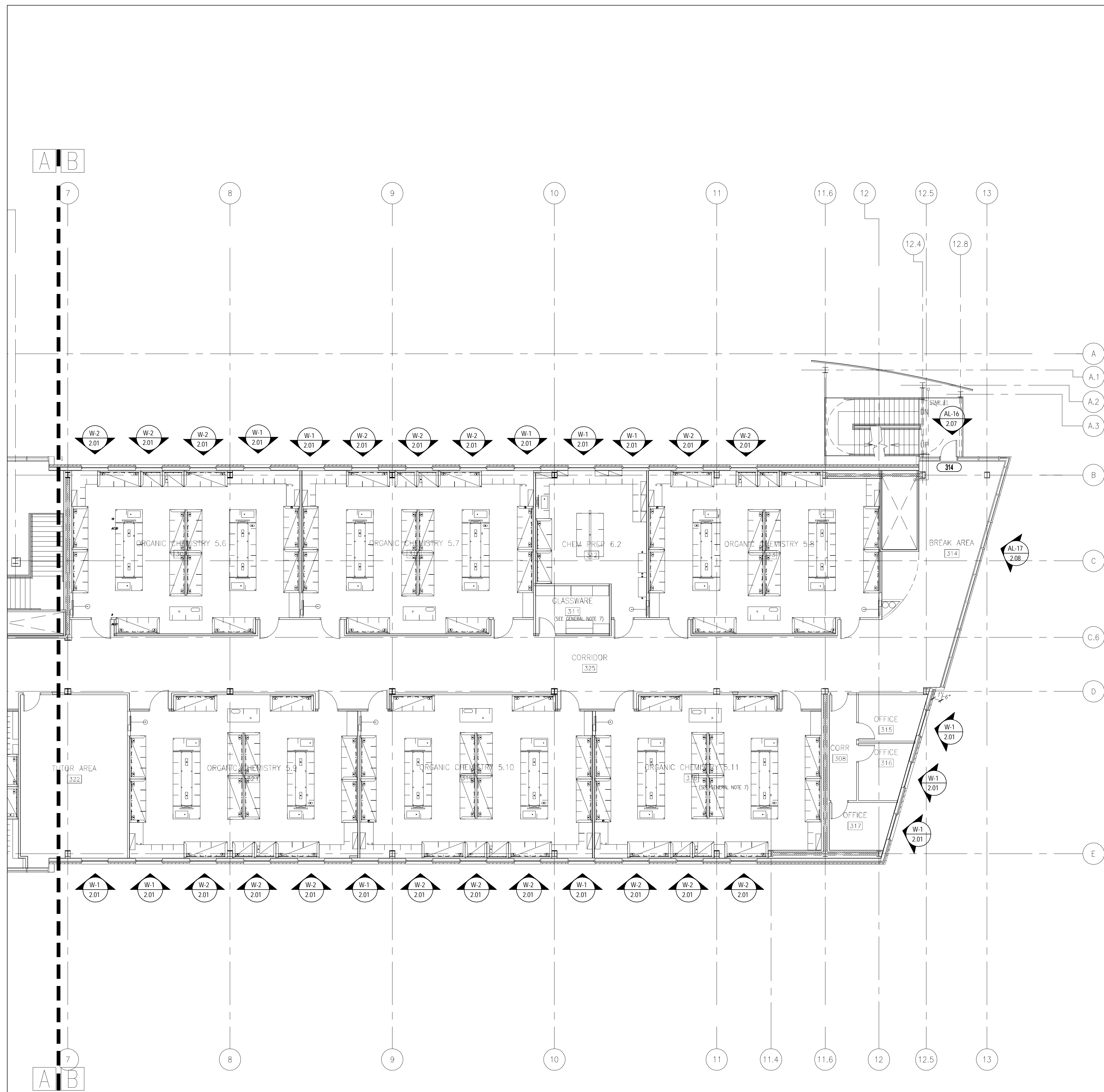
FLOOR PLANS ARE PROVIDED FOR OPENING TYPE LOCATION ONLY. REFER TO SPECIFIC MARK ELEVATIONS FOR SIZE REFERENCE DIMENSIONING, MULLION SPACING, ETC.

3RD FLOOR PLAN PLAN "A"

N.T.S.

ARCHITECTURAL REFERENCE A2.03A

PROJECT NAME AND ADDRESS OR CUSTOMER NAME AND ADDRESS		DRAWING SUBMISSION	
PROJECT:	ARCHITECT:	DATE:	NO
DRAWN BY: CCW	ARCHITECT: FLEMING	DATE: 10/20/10	DESCRIPTION
CHECKED BY: ST	CUSTOMER:	DATE: 10/20/10	NO
JOB NO.:			DATE
SHEET NO.:			3/17/11
			2/1/11
			10/20/10



ARCH/G.C. NOTE:

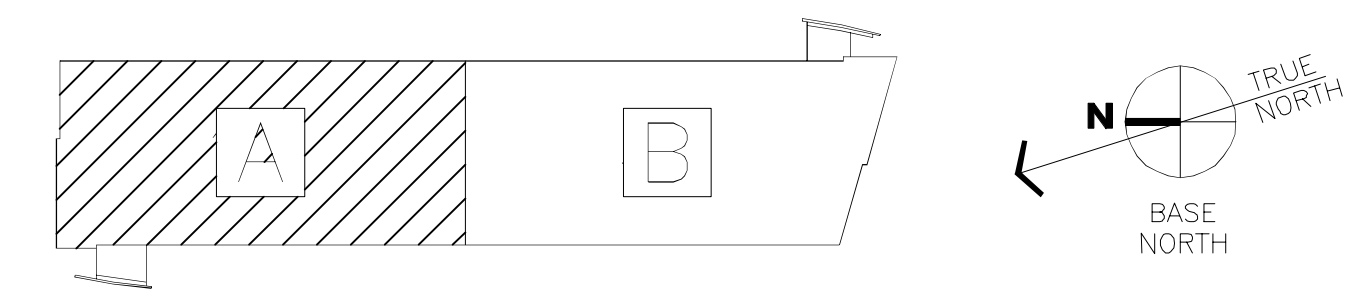
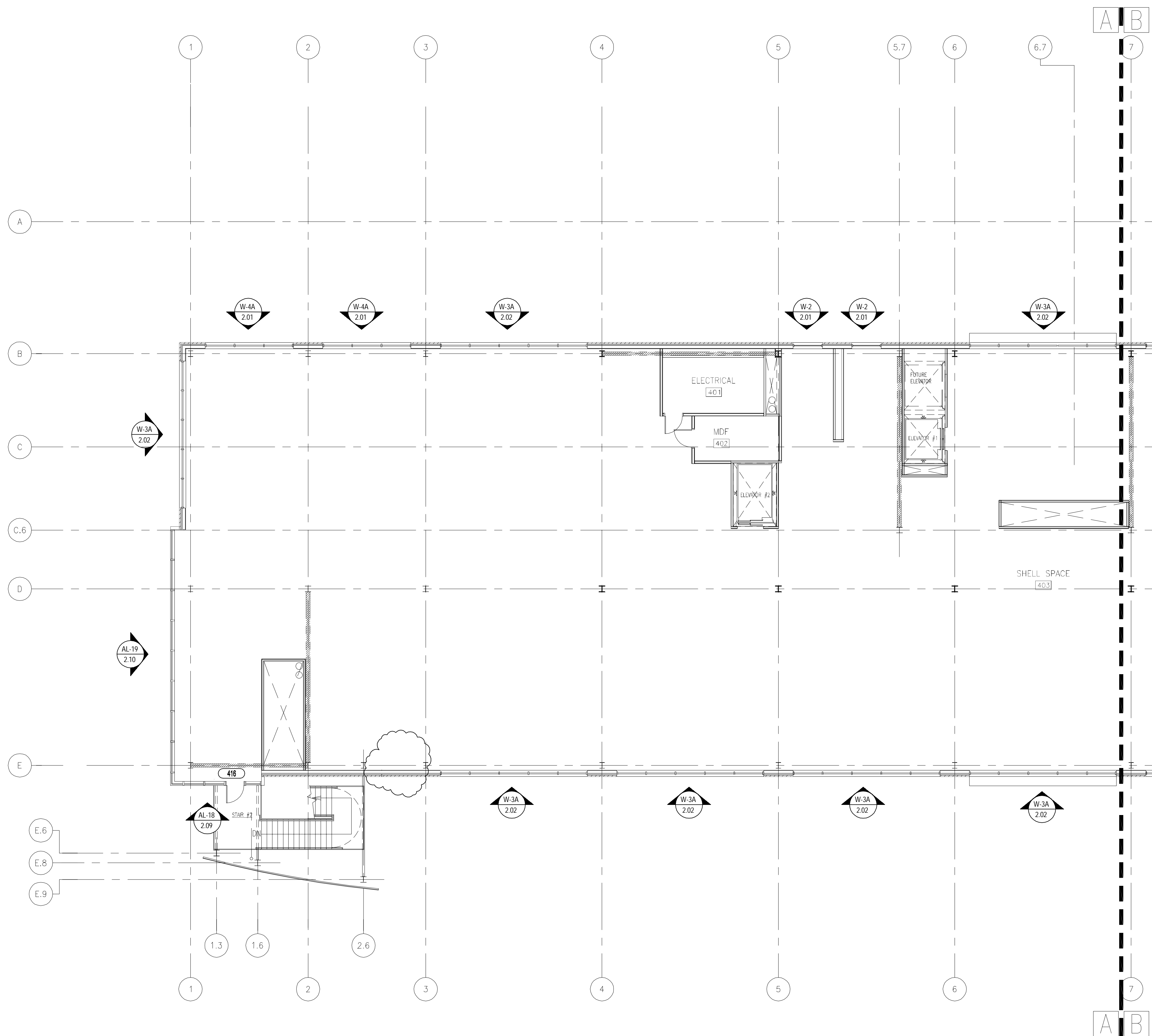
FLOOR PLANS ARE PROVIDED FOR OPENING TYPE LOCATION ONLY. REFER TO SPECIFIC MARK ELEVATIONS FOR SIZE REFERENCE DIMENSIONING, MULLION SPACING, ETC.

3RD FLOOR PLAN PLAN "B"

N.T.S.

ARCHITECTURAL REFERENCE A2.03B

PROJECT NAME AND ADDRESS OR CUSTOMER NAME AND ADDRESS		DRAWING SUBMISSION	
PROJECT:	ARCHITECT:	DATE:	DATE:
DRAWN BY: CCW	ARCHITECT:	10/20/10	3/17/11
CHECKED BY: ST	CUSTOMER:	10/20/10	2/1/11
JOB NO.:			10/20/10
	FLEMING		
SHEET NO.:			
	1.06		



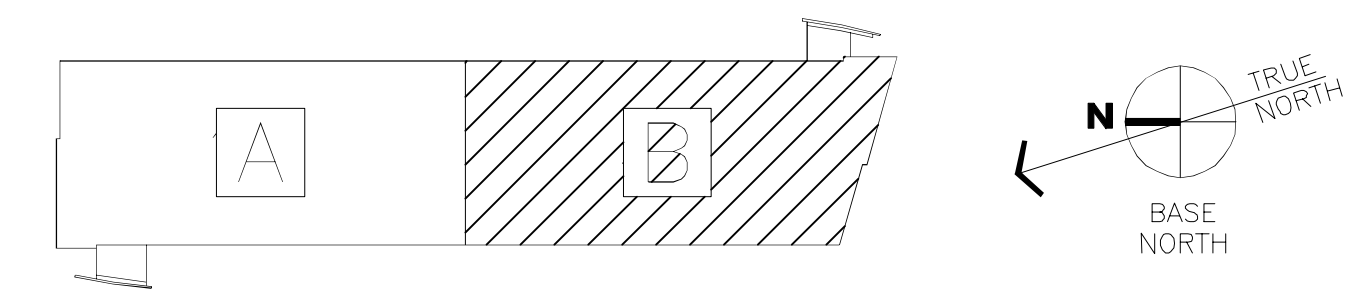
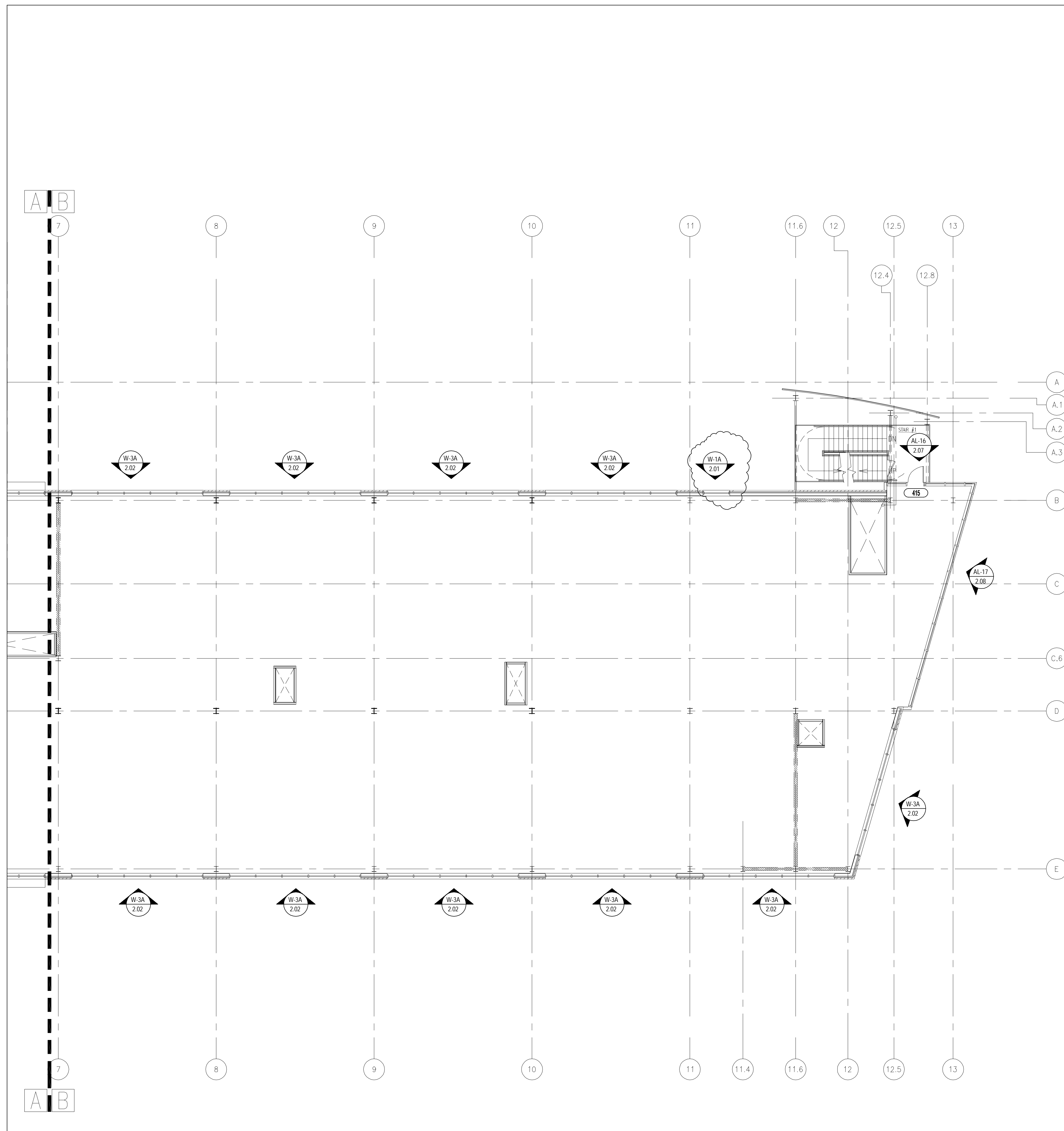
ARCH/G.C. NOTE:

FLOOR PLANS ARE PROVIDED FOR OPENING TYPE LOCATION ONLY. REFER TO SPECIFIC MARK ELEVATIONS FOR SIZE REFERENCE DIMENSIONING, MULLION SPACING, ETC.

4TH FLOOR PLAN PLAN "A"

N.T.S.
ARCHITECTURAL REFERENCE A2.04A

PROJECT NAME AND ADDRESS OR CUSTOMER NAME AND ADDRESS		DRAWING SUBMISSION	
PROJECT:	ARCHITECT:	DATE:	DATE:
DRAWN BY: CCW	ARCHITECT:	10/20/10	3/17/11
CHECKED BY: ST	CUSTOMER:	10/20/10	2/1/11
JOB NO.: FLEMING			10/20/10
SHEET NO.: 1.07			



ARCH/G.C. NOTE:

FLOOR PLANS ARE PROVIDED FOR OPENING TYPE LOCATION ONLY. REFER TO SPECIFIC MARK ELEVATIONS FOR SIZE REFERENCE DIMENSIONING, MULLION SPACING, ETC.

4TH FLOOR PLAN PLAN "B"

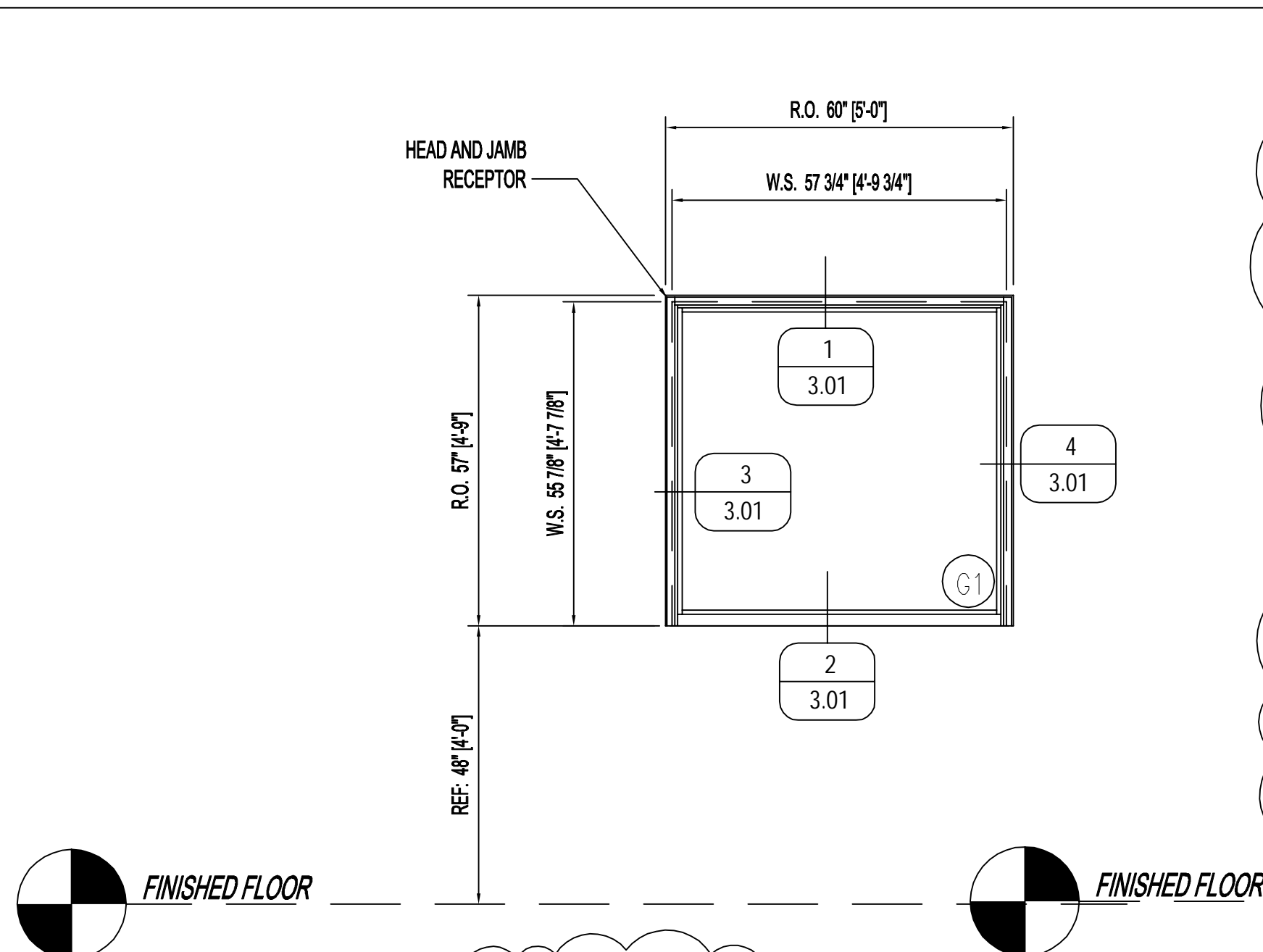
N.T.S.

ARCHITECTURAL REFERENCE A2.04B

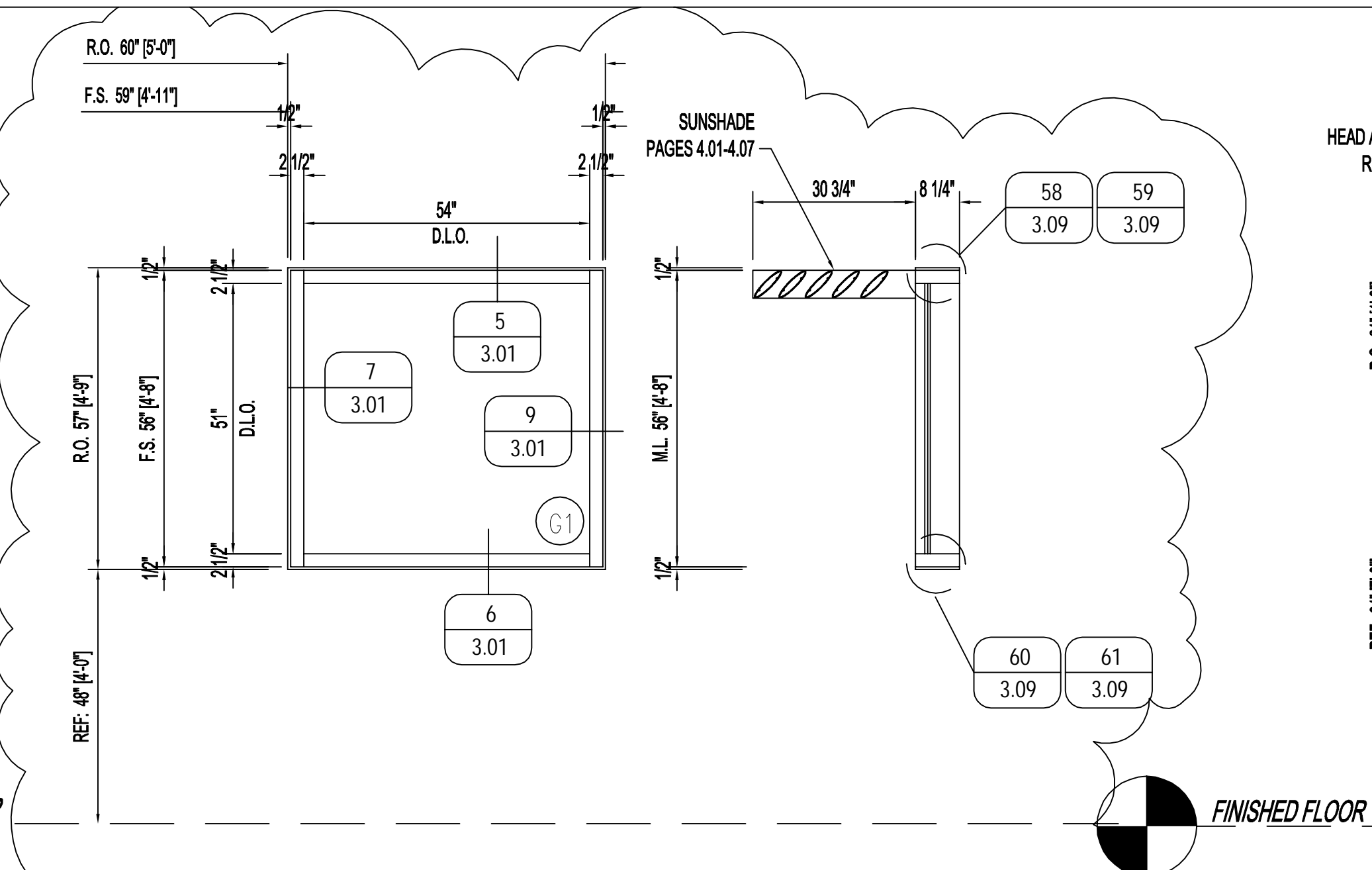
PROJECT NAME AND ADDRESS OR CUSTOMER NAME AND ADDRESS		NO	DESCRIPTION	DATE
PROJECT NAME AND ADDRESS		2ND. REV. (ENGINEER REVIEW)	3/17/11	
		1ST. REVISION	2/1/11	
		1ST. SUBMISSION	10/20/10	
				DRAWING SUBMISSION

PROJECT NAME AND ADDRESS

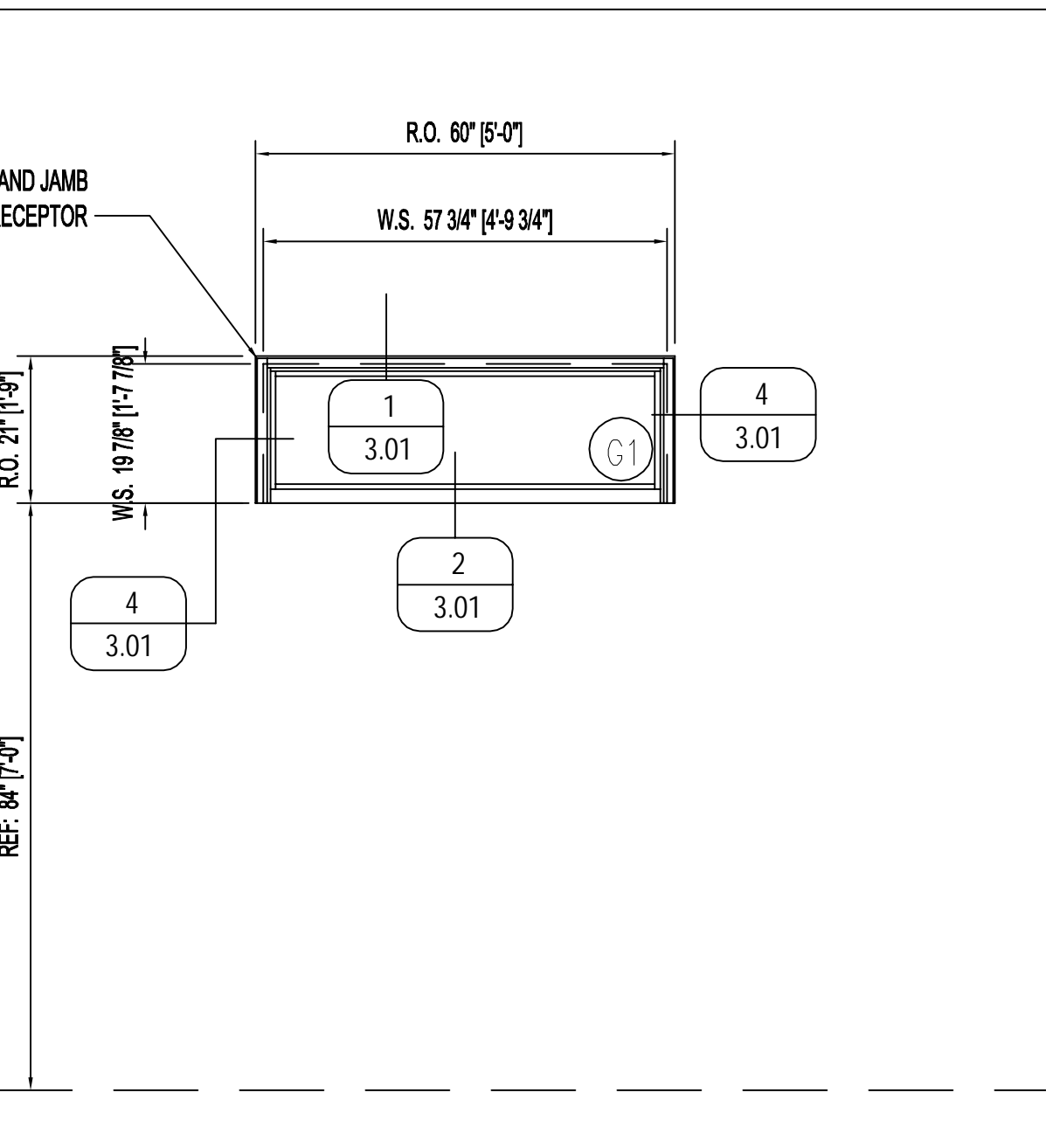
PROJECT:	ARCHITECT:	CUSTOMER:
DRAWN BY: CCW	DATE: 10/20/10	
CHECKED BY: ST	DATE: 10/20/10	
JOB NO.: FLEMING		
SHEET NO.: 1.08		



ELEVATION W-1
 SCALE: 1/2"=1'-0"
 THERMAL WINDOWS 4150 FIXED
 ARCH. REF: A0.31
 TOTAL QUANTITY = (89) EIGHTY NINE REQUIRED

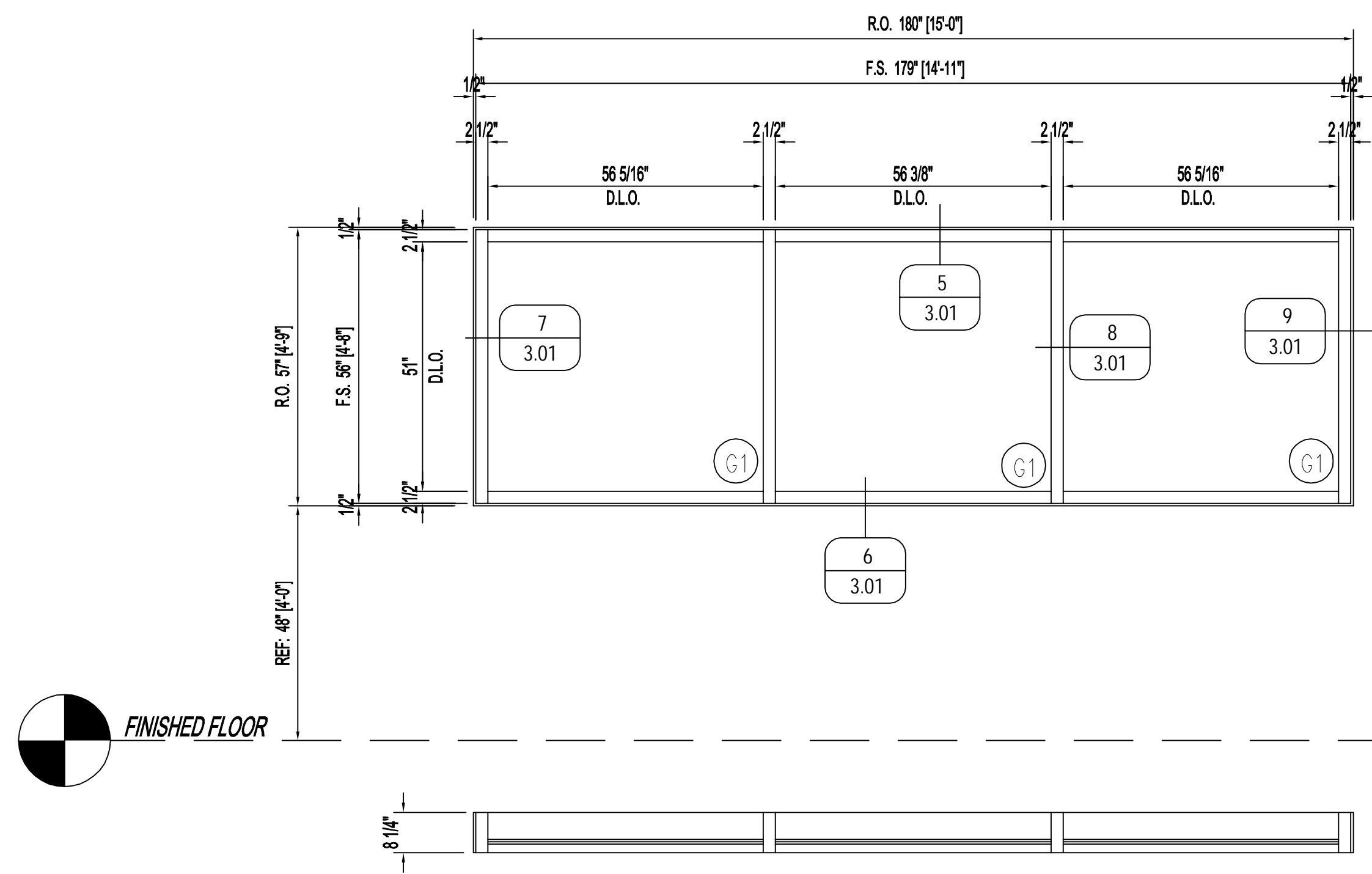


ELEVATION W-1A
 SCALE: 1/2"=1'-0"
 OLD CASTLE RELIANCE 2 1/2" X 8 1/4" CURTAINWALL
 SUNSHADES
 ARCH. REF: NA
 TOTAL QUANTITY = (1) ONE REQUIRED

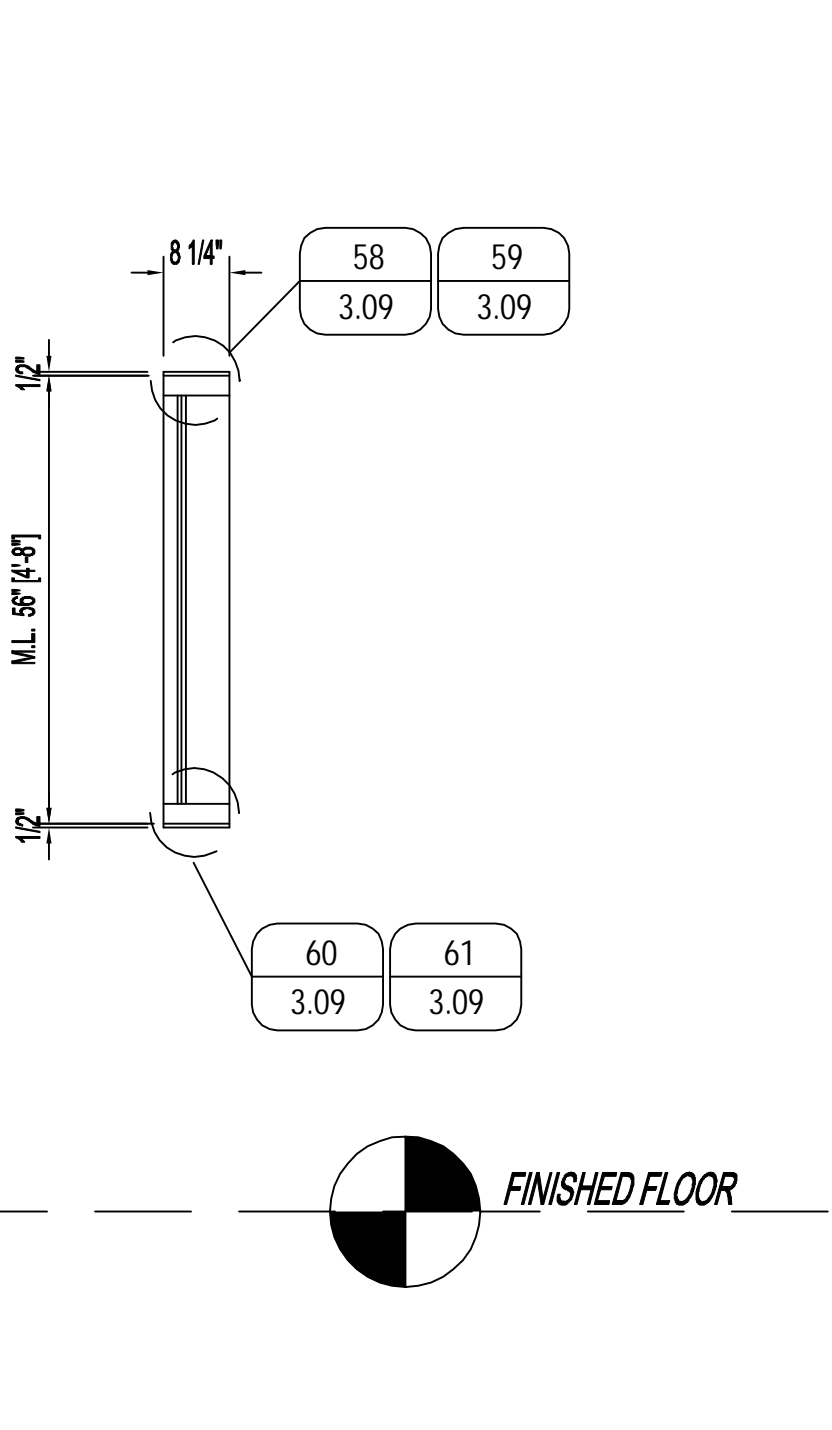


ELEVATION W-2
 SCALE: 1/2"=1'-0"
 THERMAL WINDOWS 4150 FIXED
 ARCH. REF: A0.31
 TOTAL QUANTITY = (33) THIRTY THREE REQUIRED

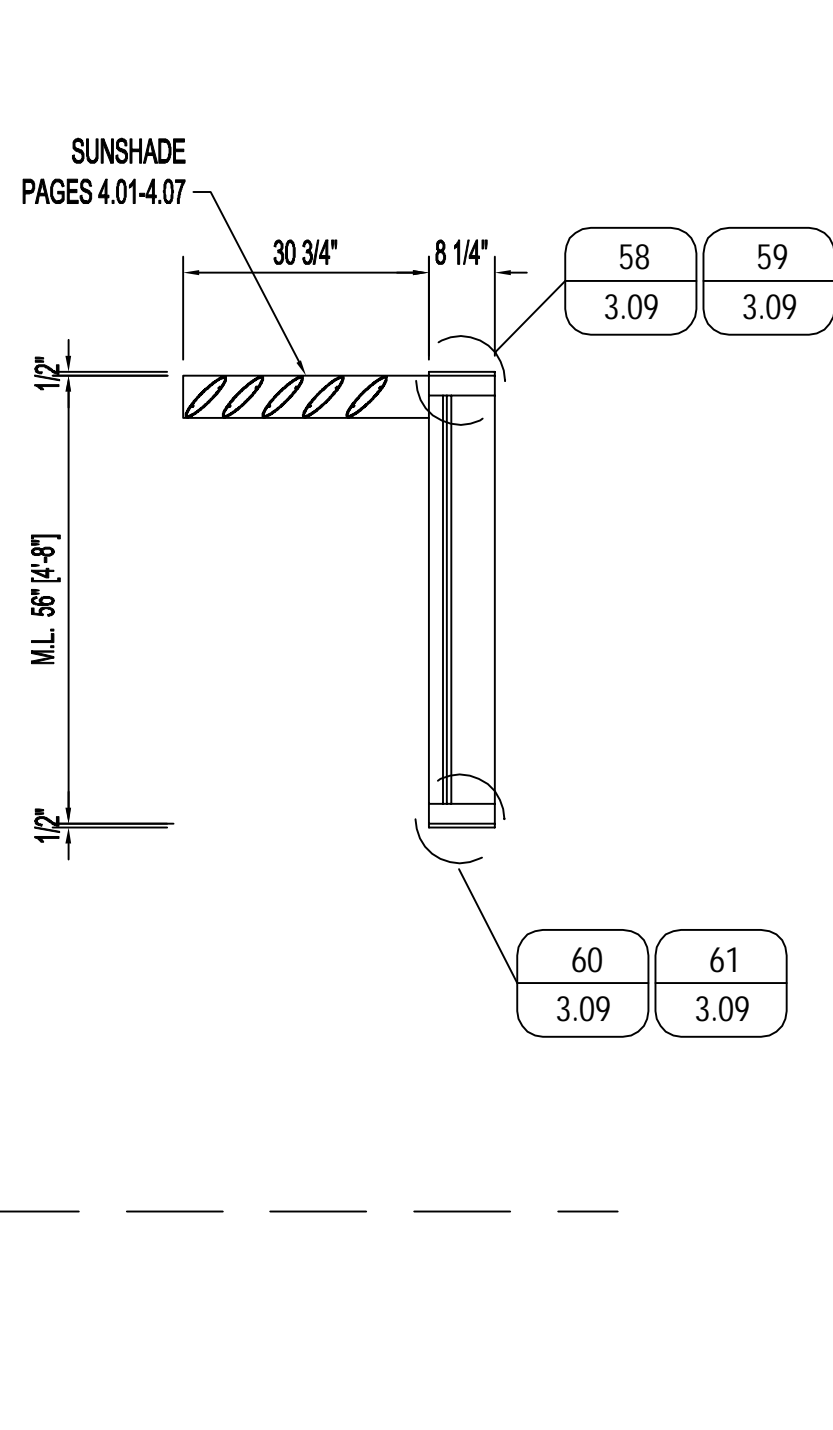
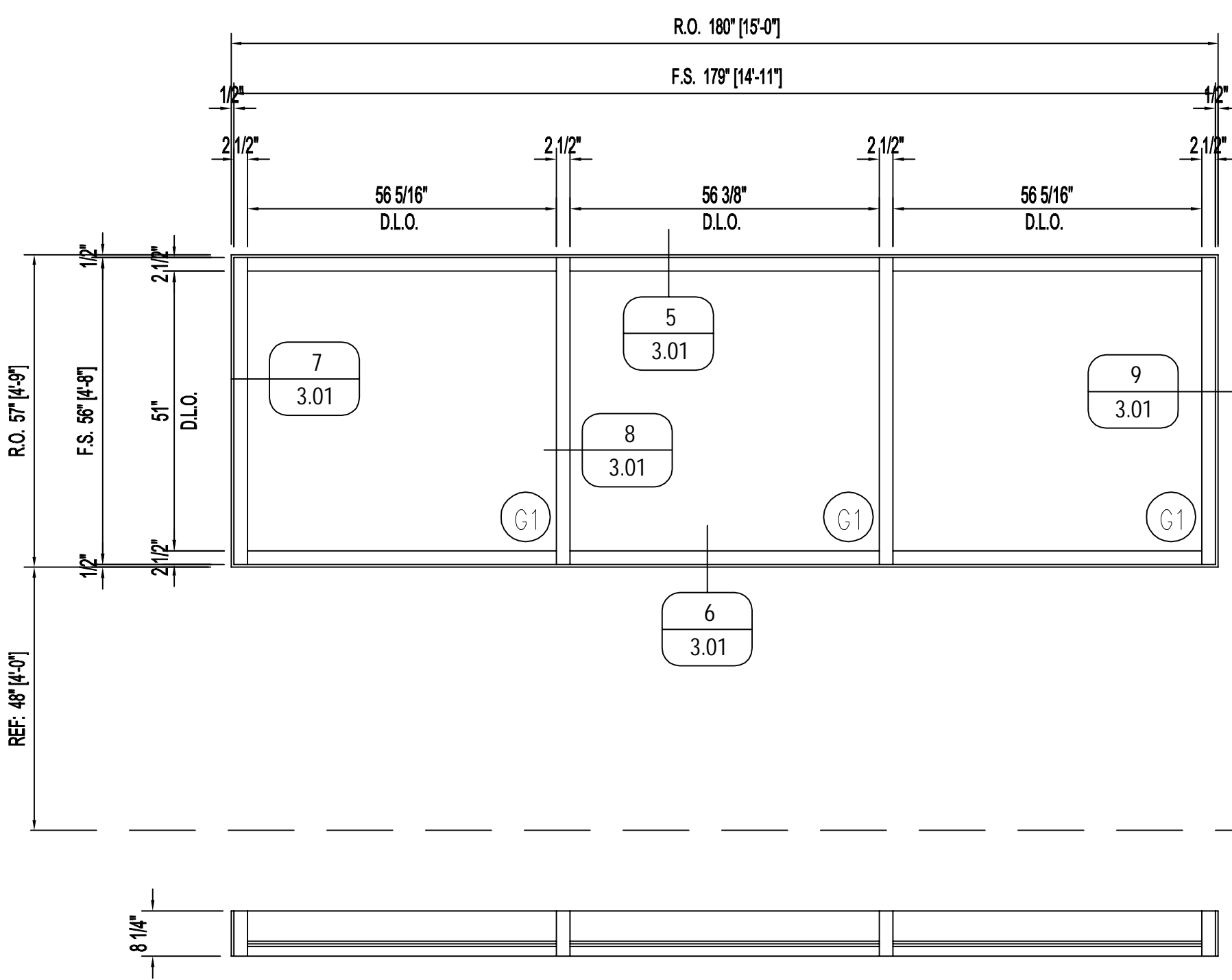
THEUT NOTE:
 PLEASE FIELD VERIFY ALL DIMENSIONS.



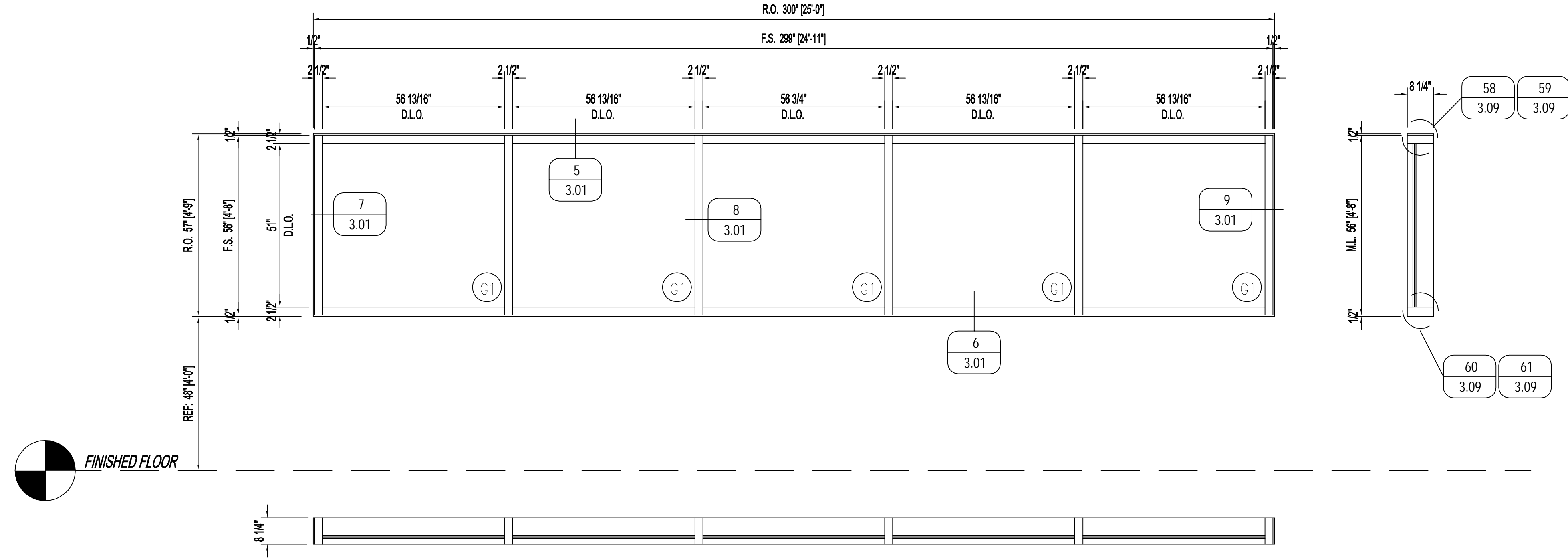
ELEVATION W-4
 SCALE: 1/2"=1'-0"
 OLD CASTLE RELIANCE 2 1/2" X 8 1/4" CURTAINWALL
 ARCH. REF: A0.31
 TOTAL QUANTITY = (1) THREE REQUIRED



ELEVATION W-4A
 SCALE: 1/2"=1'-0"
 OLD CASTLE RELIANCE 2 1/2" X 8 1/4" CURTAINWALL
 SUNSHADES
 ARCH. REF: A0.31
 TOTAL QUANTITY = (2) TWO REQUIRED



PROJECT:		CUSTOMER NAME AND ADDRESS	
DRAWN BY: CCW		DATE: 10/20/10	
CHECKED BY: ST		DATE: 10/20/10	
JOB NO.: FLEMING		ARCHITECT: 3/17/11	
SHEET NO.: 2.01		CUSTOMER: 2/1/11	
		10/20/10	
		DESCRIPTION	
		DRAWING SUBMISSION	
		DATE	
		NO	
		1ST. SUBMISSION	
		1ST. REVISION	
		2ND REV. (ENGINEER REVIEW)	



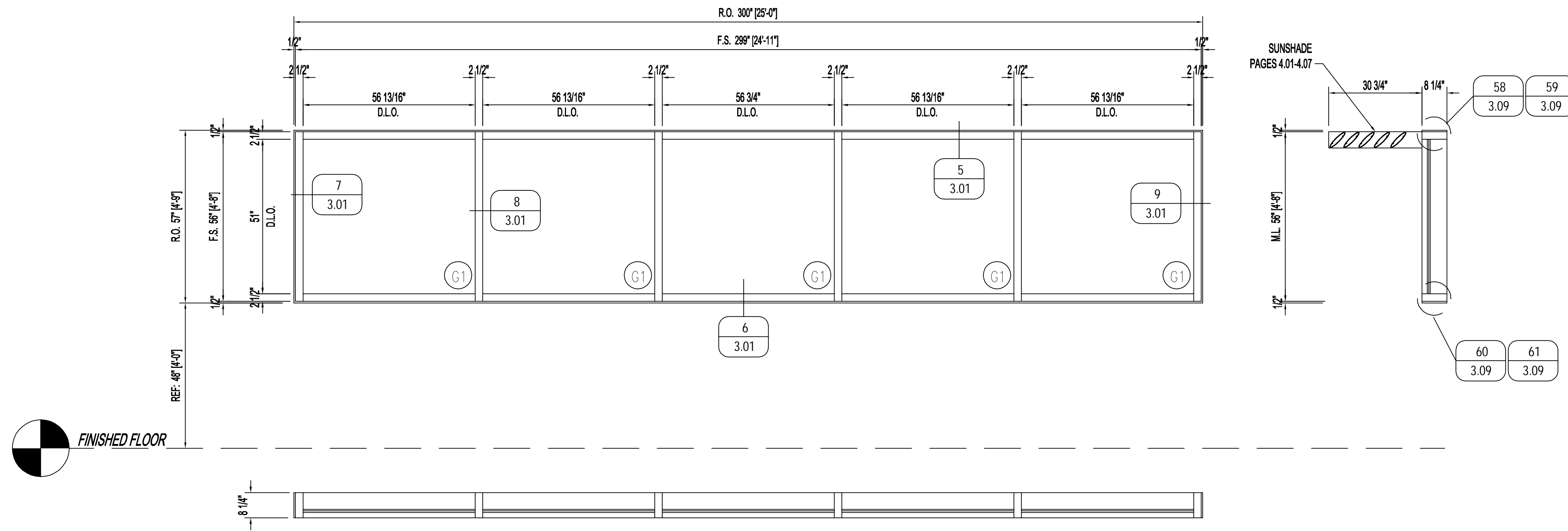
ELEVATION W-3

SCALE: 1/2"=1'-0"

OLD CASTLE RELIANCE 2 1/2" X 8 1/4" CURTAINWALL
 ARCH. REF: A0.31
 TOTAL QUANTITY = (3) THREE REQUIRED

THEUT NOTE:

PLEASE FIELD VERIFY ALL DIMENSIONS.

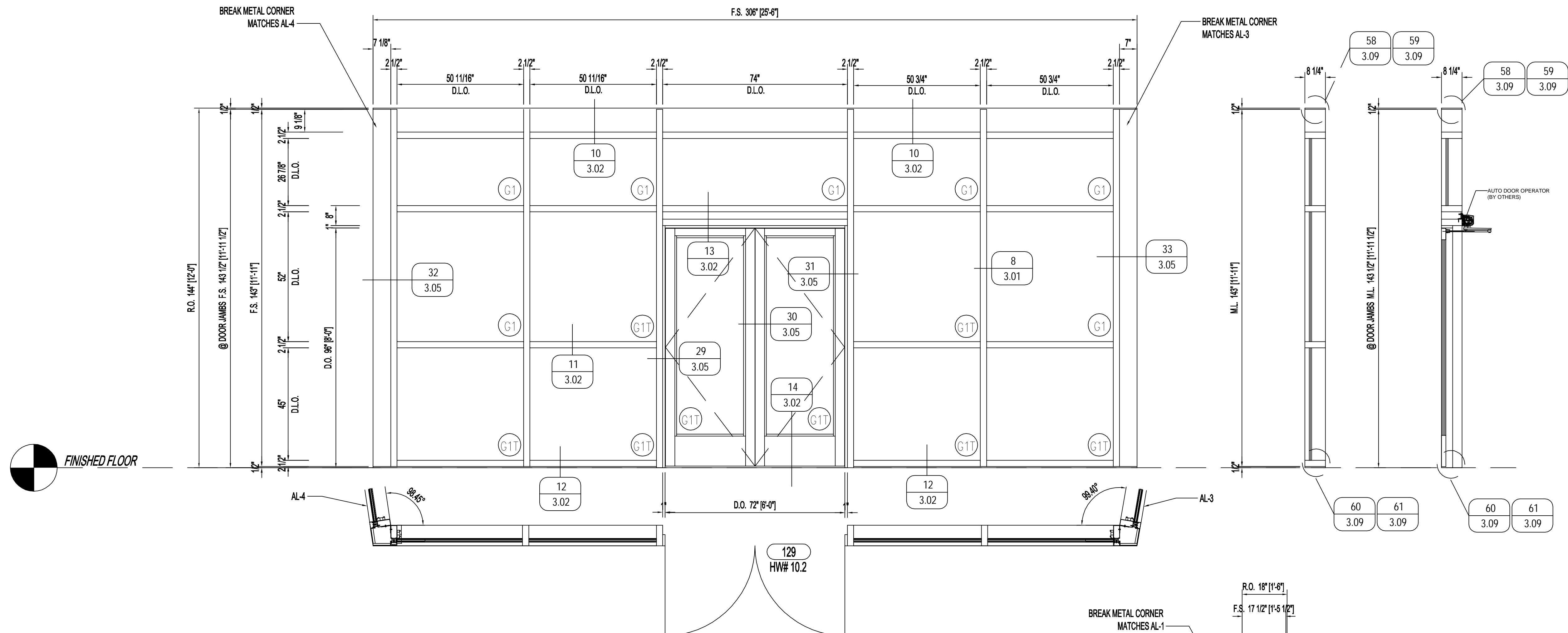


ELEVATION W-3A

SCALE: 1/2"=1'-0"

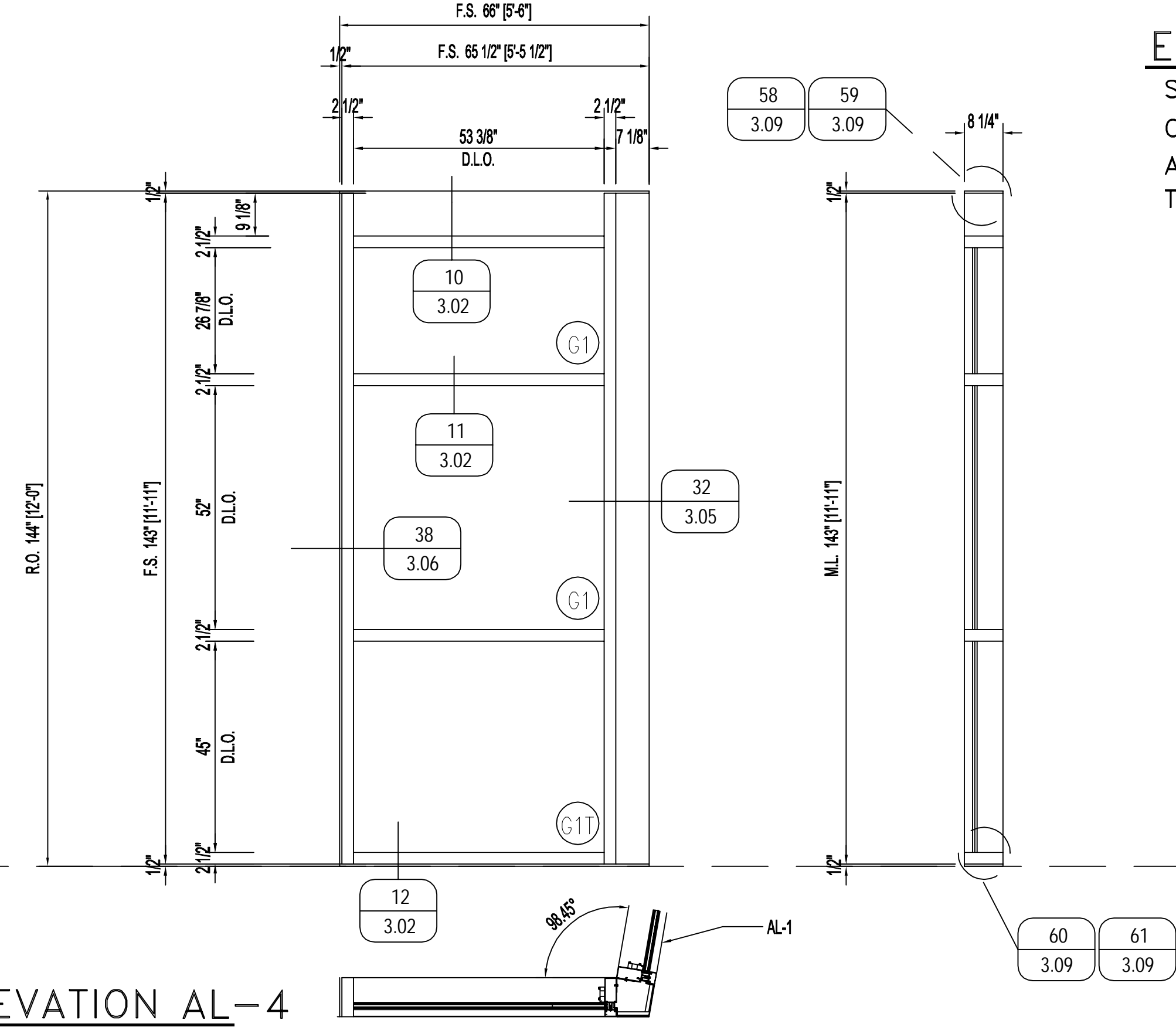
OLD CASTLE RELIANCE 2 1/2" X 8 1/4" CURTAINWALL
 SUNSHADES
 ARCH. REF: A0.31
 TOTAL QUANTITY = (30) THIRTY REQUIRED

PROJECT:		DRAWN BY:		DATE:	
PROJECT NAME AND ADDRESS		CCW		10/20/10	
CUSTOMER NAME AND ADDRESS		CHECKED BY:		DATE:	
		ST		10/20/10	
PROJECT NAME AND ADDRESS		JOB NO.:		SHEET NO.:	
		FLEMING		2.02	
PROJECT NAME AND ADDRESS		ARCHITECT:		DATE:	
		CUSTOMER:		DRAWING SUBMISSION	
PROJECT NAME AND ADDRESS		2ND REV. (ENGINEER REVIEW)		3/17/11	
		1ST. REVISION		2/1/11	
		1ST. SUBMISSION		10/20/10	
		NO		DESCRIPTION	
				DATE	

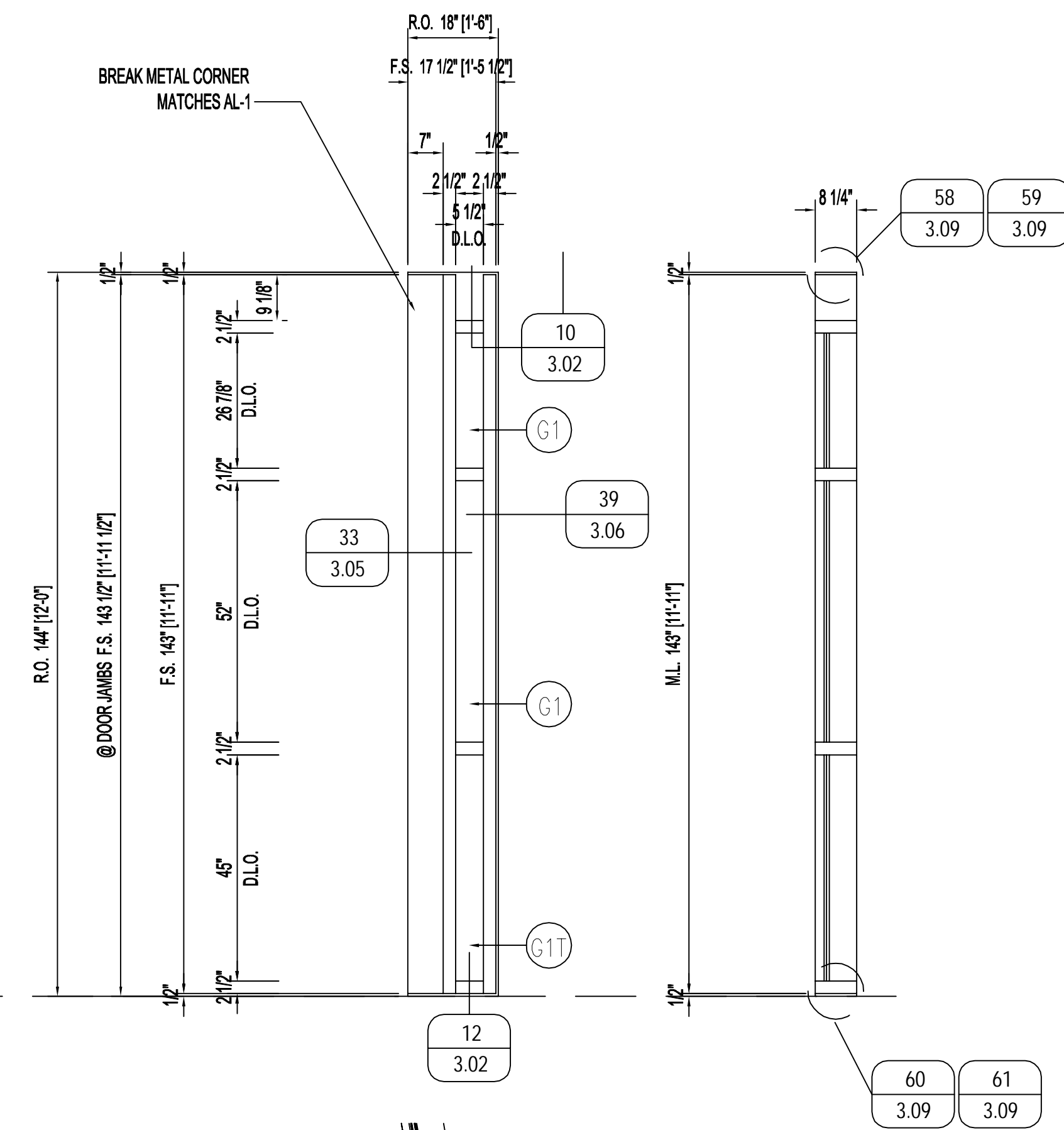


ELEVATION AL-1
 SCALE: 1/2"=1'-0"
 OLD CASTLE RELIANCE 2 1/2" X 8 1/4" CURTAINWALL
 ARCH. REF: A0.31
 TOTAL QUANTITY = (1) ONE REQUIRED

THEUT NOTE:
 PLEASE FIELD VERIFY ALL DIMENSIONS.



ELEVATION AL-4
 SCALE: 1/2"=1'-0"
 OLD CASTLE RELIANCE 2 1/2" X 8 1/4" CURTAINWALL
 ARCH. REF: A0.31
 TOTAL QUANTITY = (1) ONE REQUIRED



ELEVATION AL-3
 SCALE: 1/2"=1'-0"
 OLD CASTLE RELIANCE 2 1/2" X 8 1/4" CURTAINWALL
 ARCH. REF: A0.31
 TOTAL QUANTITY = (1) ONE REQUIRED

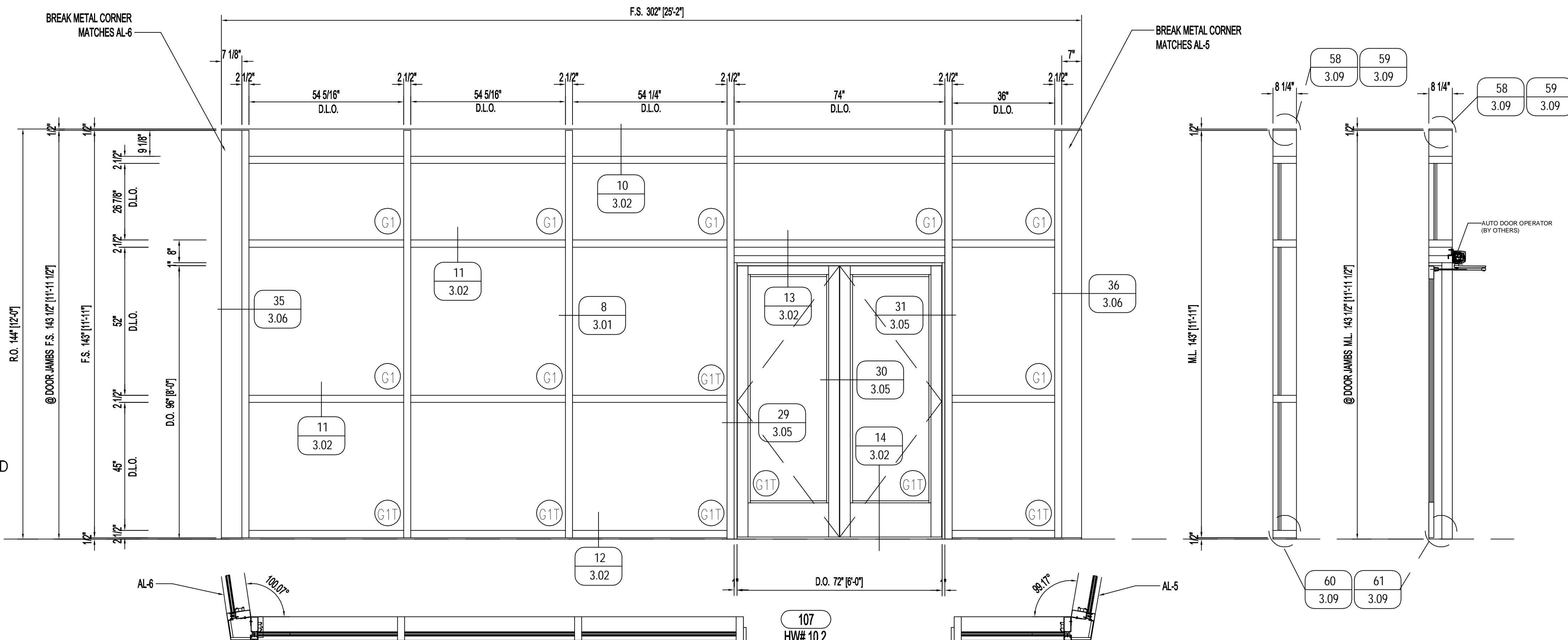
PROJECT:	ARCHITECT:	CUSTOMER:
DATE:	DATE:	DATE:
NO.	DESCRIPTION	DATE
10/20/10	1ST. SUBMISSION	10/20/10
2/1/11	1ST. REVISION	2/1/11
3/17/11	2ND REV. (ENGINEER REVIEW)	3/17/11
DRAWING SUBMISSION		

CUSTOMER NAME AND ADDRESS OR PROJECT NAME AND ADDRESS

PROJECT:	ARCHITECT:	CUSTOMER:
DATE:	DATE:	DATE:
NO.	DESCRIPTION	DATE
10/20/10	1ST. SUBMISSION	10/20/10
2/1/11	1ST. REVISION	2/1/11
3/17/11	2ND REV. (ENGINEER REVIEW)	3/17/11
DRAWING SUBMISSION		

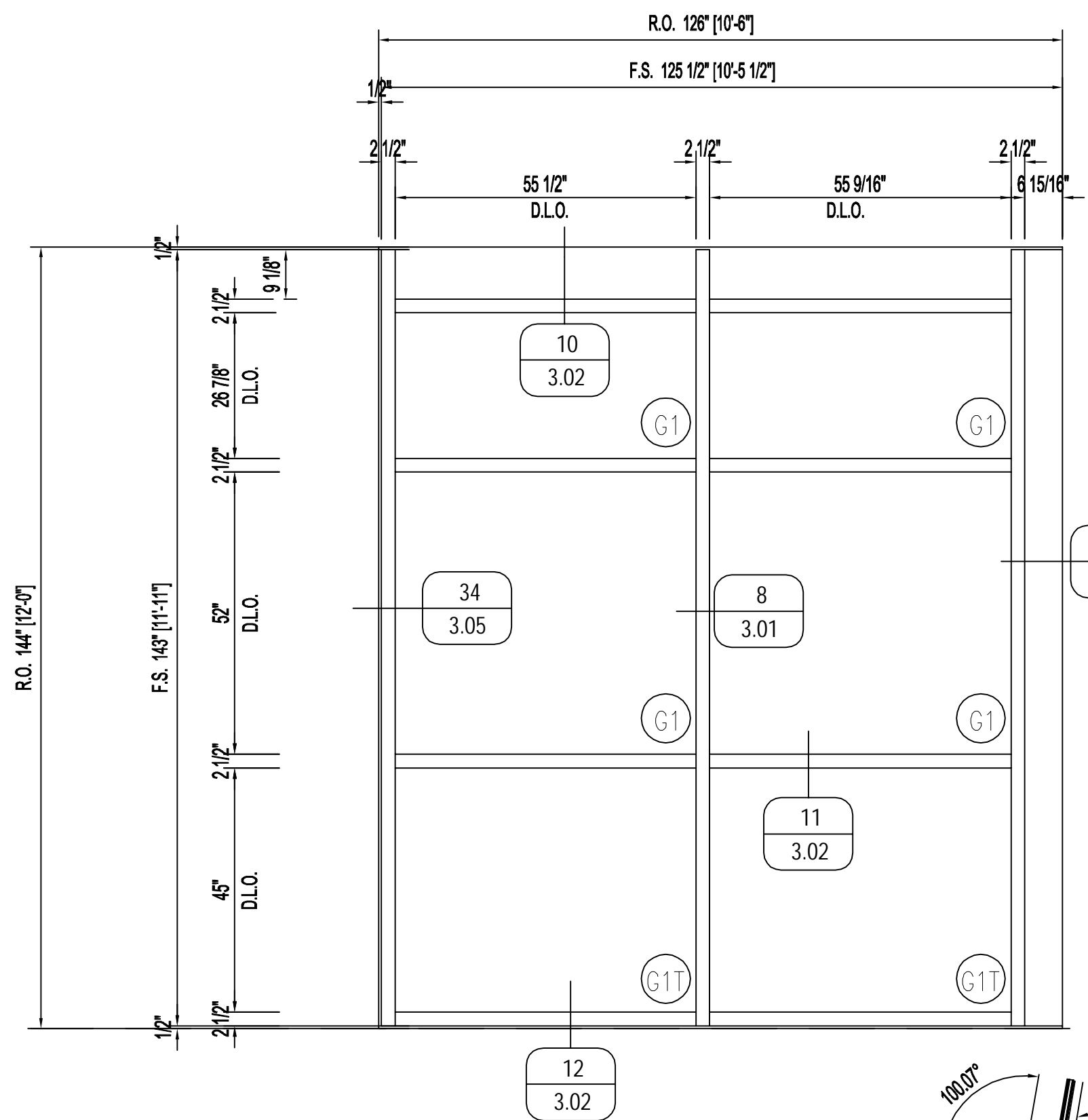
ELEVATION AL-2

SCALE: 1/2"=1'-0"
 OLD CASTLE RELIANCE
 2 1/2" X 8 1/4" CURTAINWALL
 ARCH. REF: A0.31
 TOTAL QUANTITY = (1) ONE REQUIRED



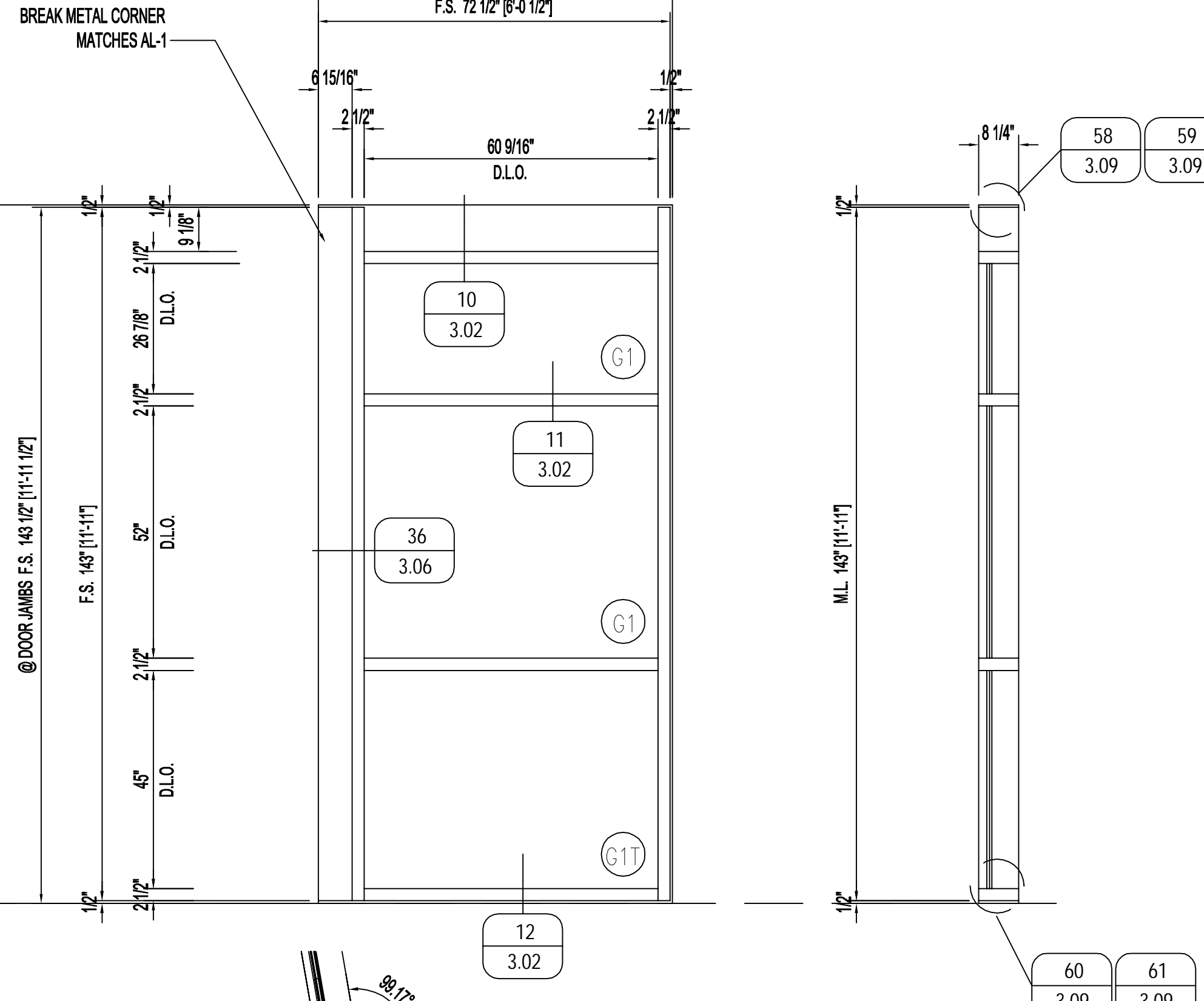
THEUT NOTE:

PLEASE FIELD VERIFY ALL DIMENSIONS.



ELEVATION AL-6

SCALE: 1/2"=1'-0"
 OLD CASTLE RELIANCE 2 1/2" X 8 1/4" CURTAINWALL
 ARCH. REF: A0.31
 TOTAL QUANTITY = (1) ONE REQUIRED



ELEVATION AL-5

SCALE: 1/2"=1'-0"
 OLD CASTLE RELIANCE 2 1/2" X 8 1/4" CURTAINWALL
 ARCH. REF: A0.31
 TOTAL QUANTITY = (1) ONE REQUIRED



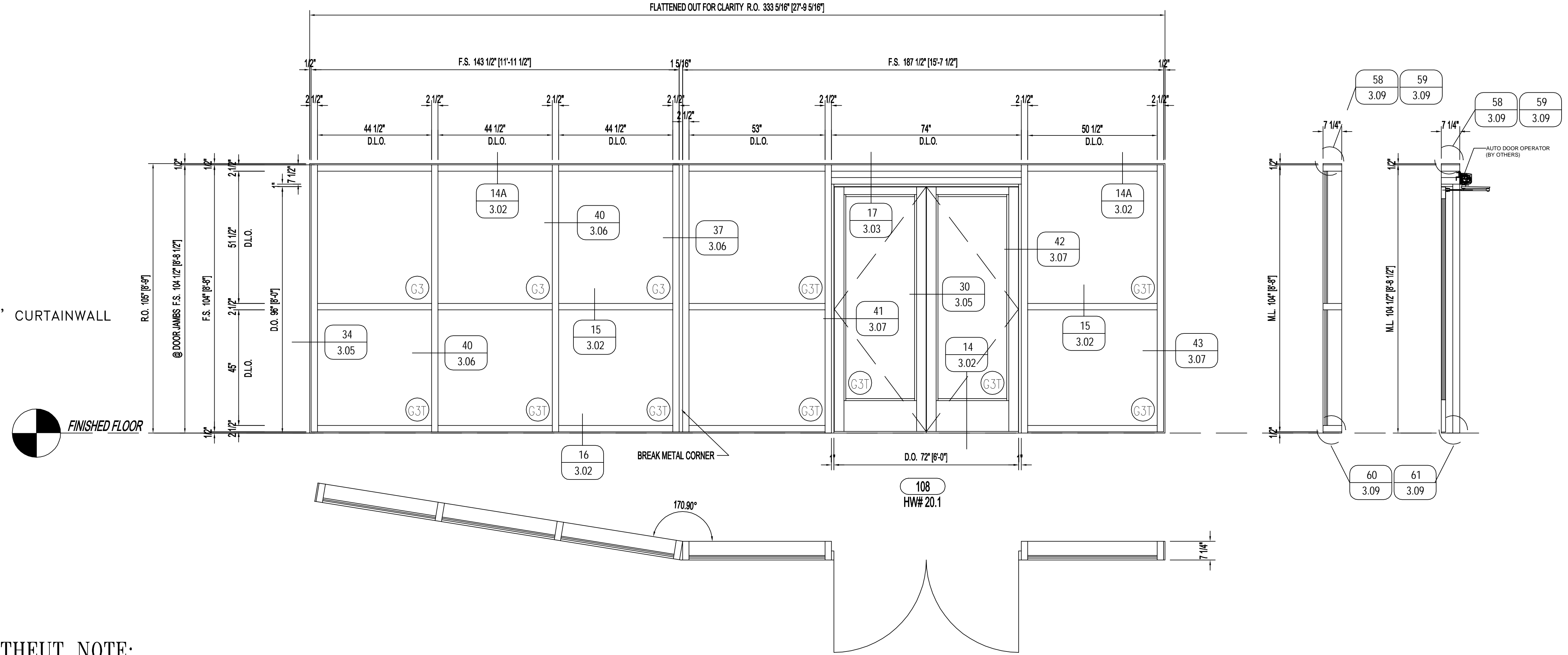
PROJECT:		PROJECT NAME AND ADDRESS	
DRAWN BY:		ARCHITECT:	
CHECKED BY:		CUSTOMER:	
JOB NO.:		DATE:	
SHEET NO.:		DRAWING SUBMISSION	
2ND REV. (ENGINEER REVIEW)	3/17/11	1ST. REVISION	2/1/11
1ST. SUBMISSION	10/20/10	DESCRIPTION	DATE
NO			

PROJECT NAME AND ADDRESS

ELEVATION AL-7

SCALE: 1/2" = 1'-0"

OLD CASTLE RELIANCE 2 1/2" X 7 1/4" CURTAINWALL
 ARCH. REF: A0.31
 TOTAL QUANTITY = (1) ONE REQUIRED

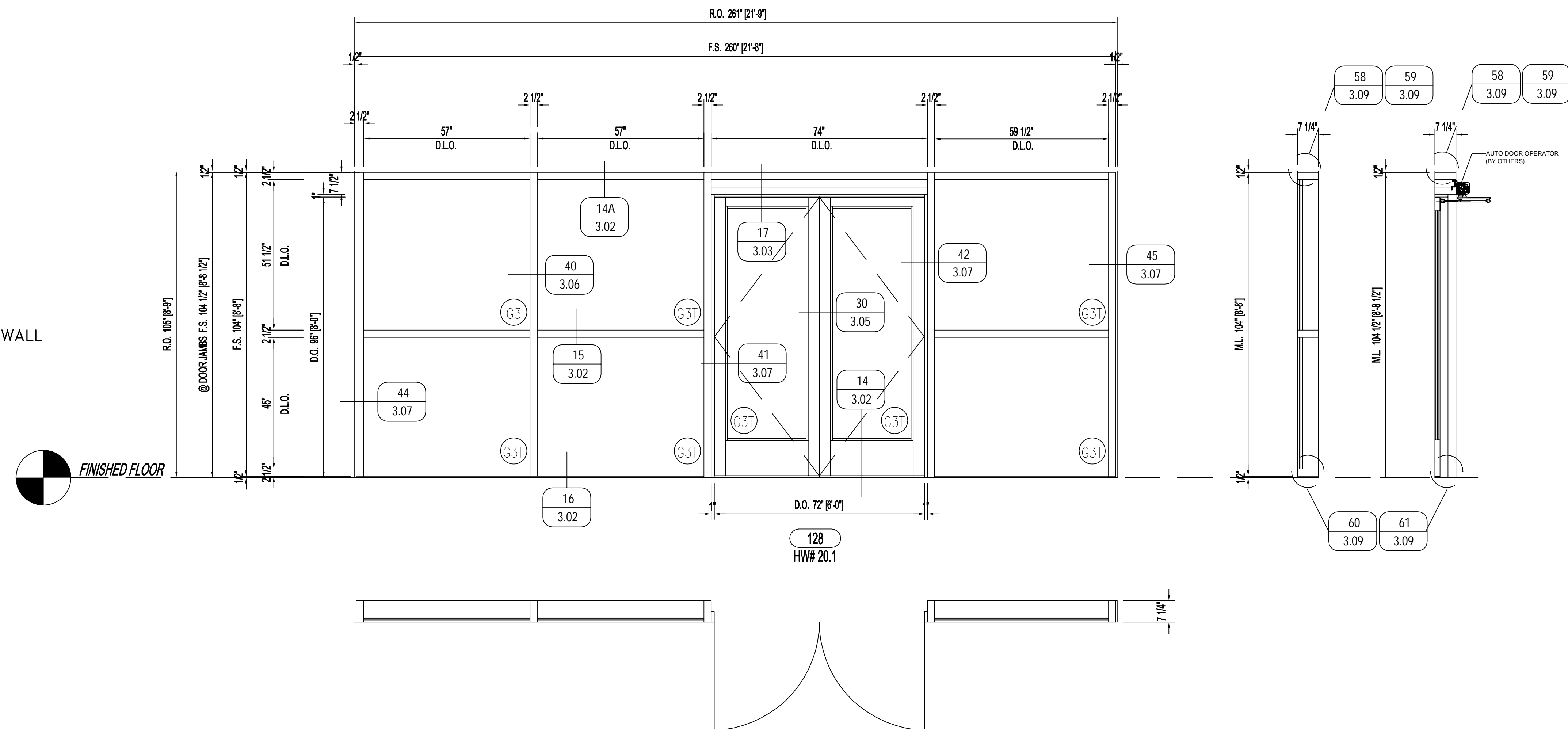


THEUT NOTE:
 PLEASE FIELD VERIFY ALL DIMENSIONS.

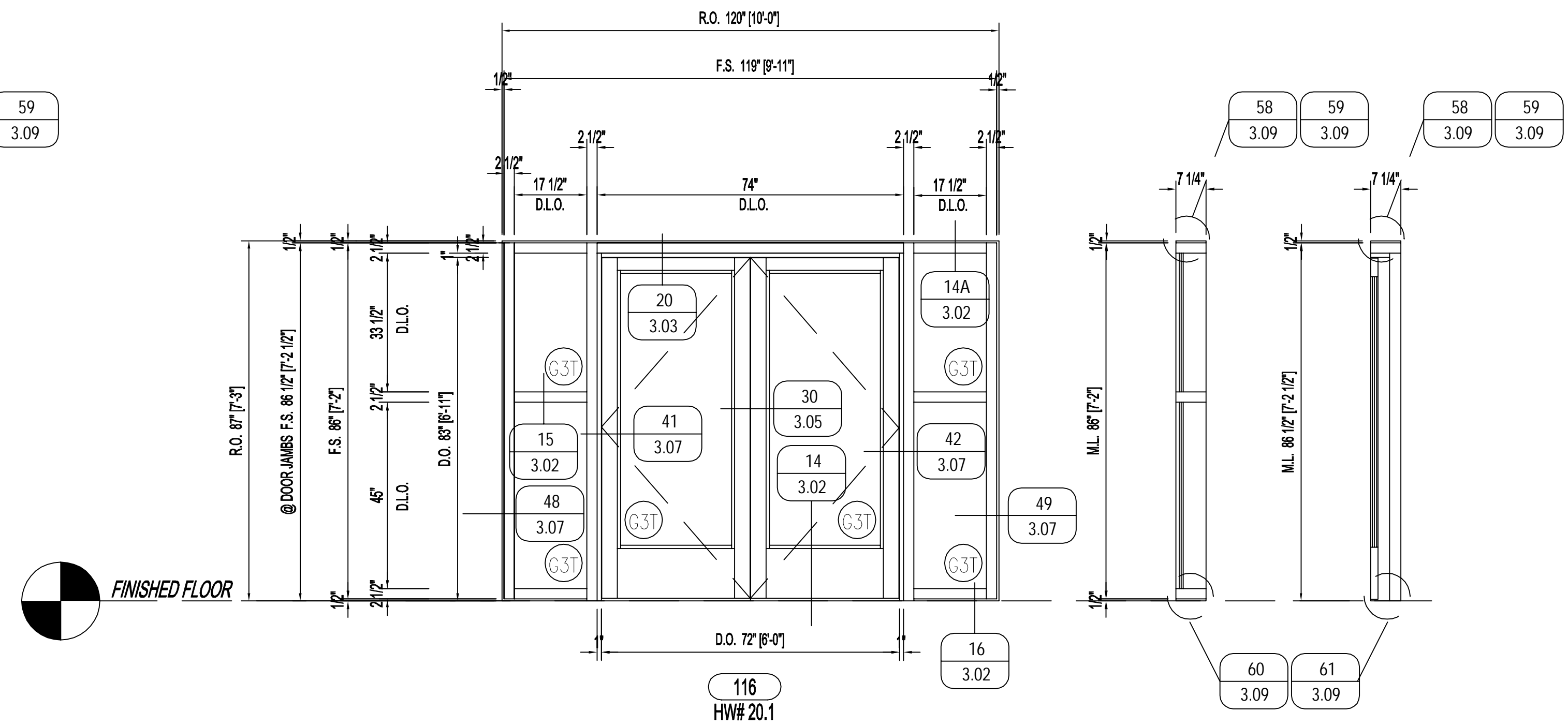
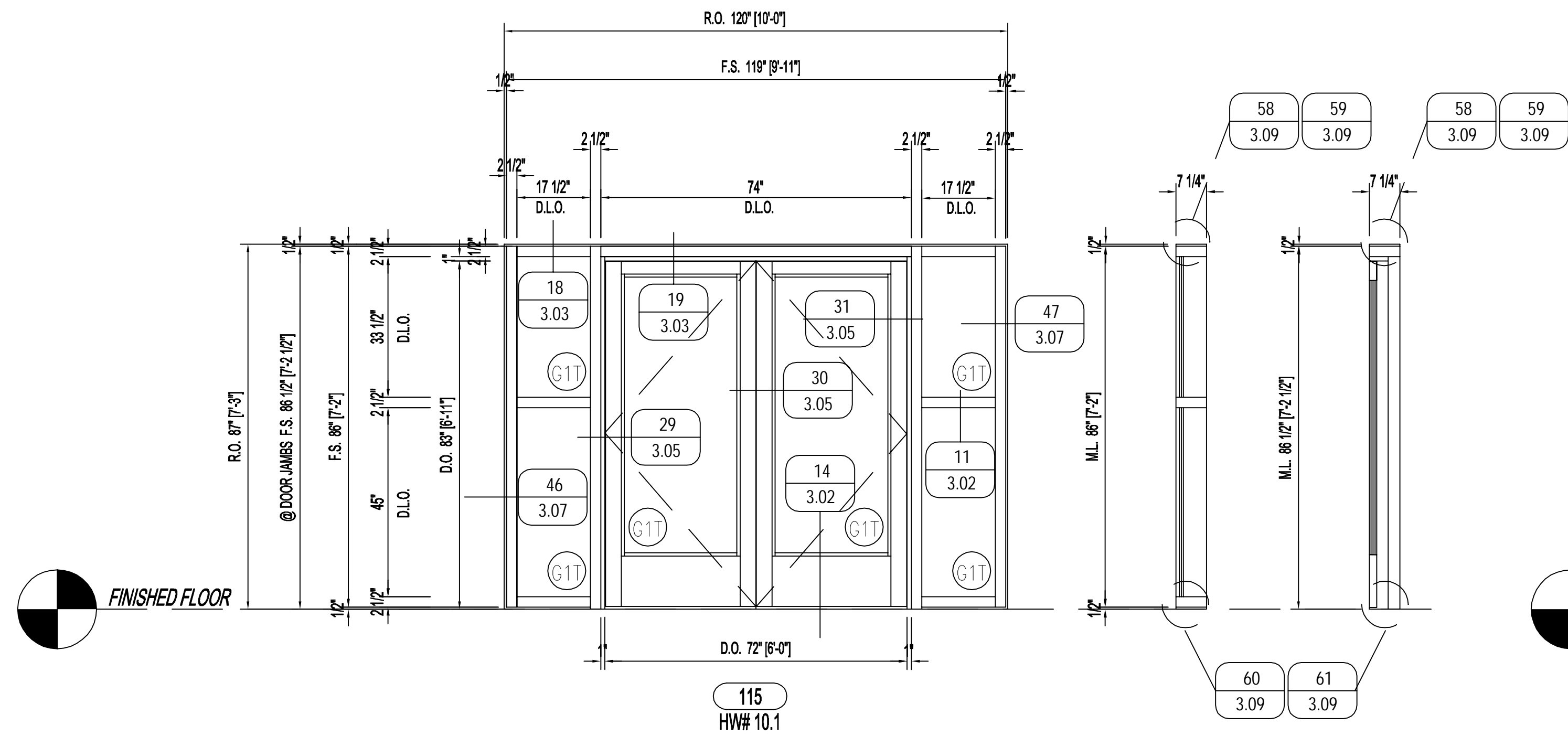
ELEVATION AL-8

SCALE: 1/2" = 1'-0"

OLD CASTLE RELIANCE 2 1/2" X 7 1/4" CURTAINWALL
 ARCH. REF: A0.31
 TOTAL QUANTITY = (1) ONE REQUIRED



PROJECT:	CUSTOMER NAME AND ADDRESS OR PROJECT NAME AND ADDRESS
DRAWN BY:	CCW
CHECKED BY:	ST
JOB NO.:	FLEMING
SHEET NO.:	2.05
DATE:	10/20/10
ARCHITECT:	
CUSTOMER:	
DESCRIPTION:	
NO:	
DATE:	
DATE:	3/17/11
DATE:	2/11/11
DATE:	10/20/10
DATE:	



THEUT NOTE:
PLEASE FIELD VERIFY ALL DIMENSIONS.

ELEVATION AL-9

SCALE: 1/2"=1'-0"

OLD CASTLE RELIANCE 2 1/2" X 8 1/4" CURTAINWALL

ARCH. REF: A0.31

TOTAL QUANTITY = (1) ONE REQUIRED

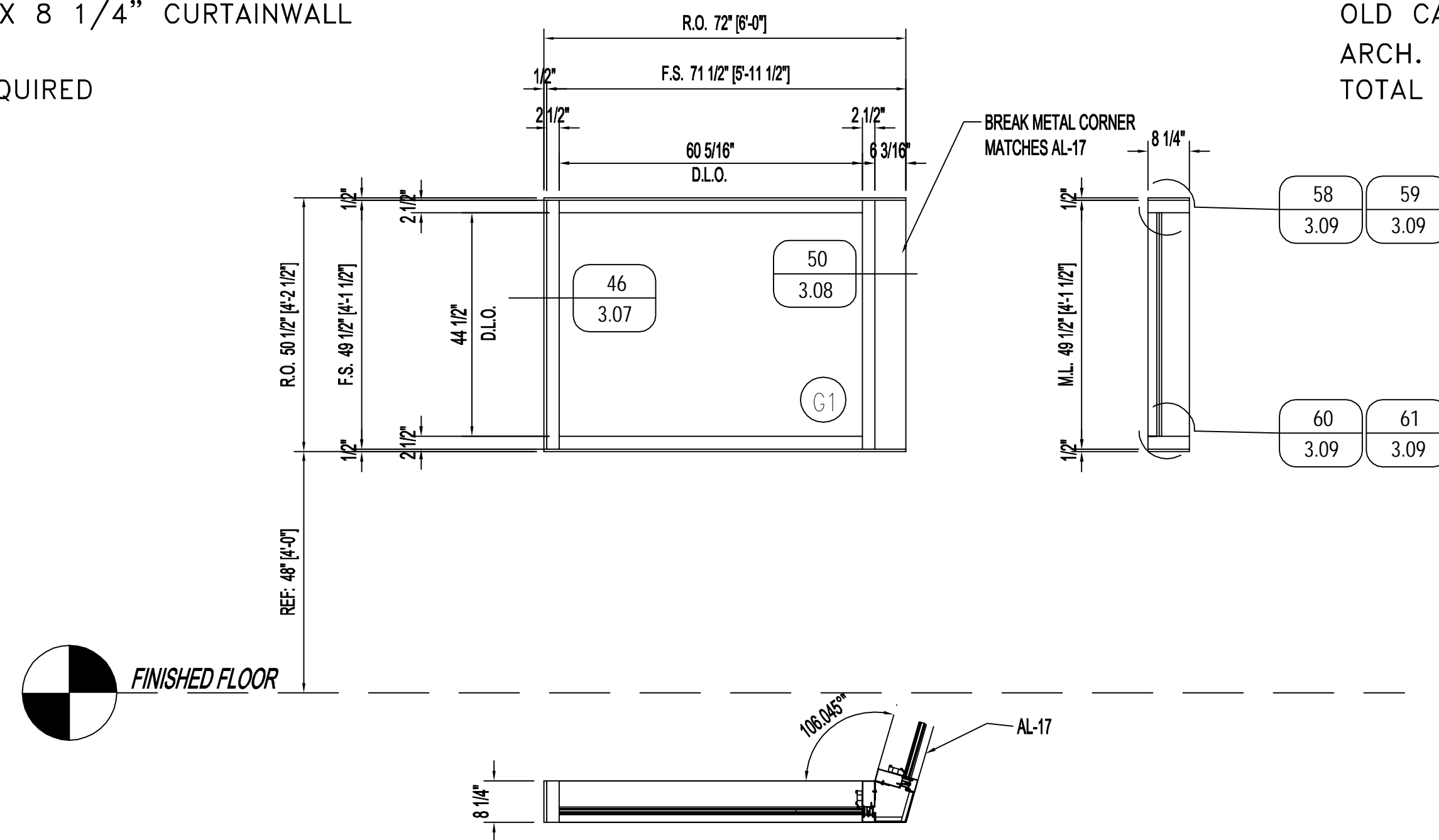
ELEVATION AL-9 INTERIOR

SCALE: 1/2"=1'-0"

OLD CASTLE RELIANCE 2 1/2" X 7 1/4" CURTAINWALL

ARCH. REF: A0.31

TOTAL QUANTITY = (1) ONE REQUIRED



ELEVATION AL-11

SCALE: 1/2"=1'-0"

OLD CASTLE RELIANCE 2 1/2" X 8 1/4" CURTAINWALL

ARCH. REF: A0.31

TOTAL QUANTITY = (1) ONE REQUIRED

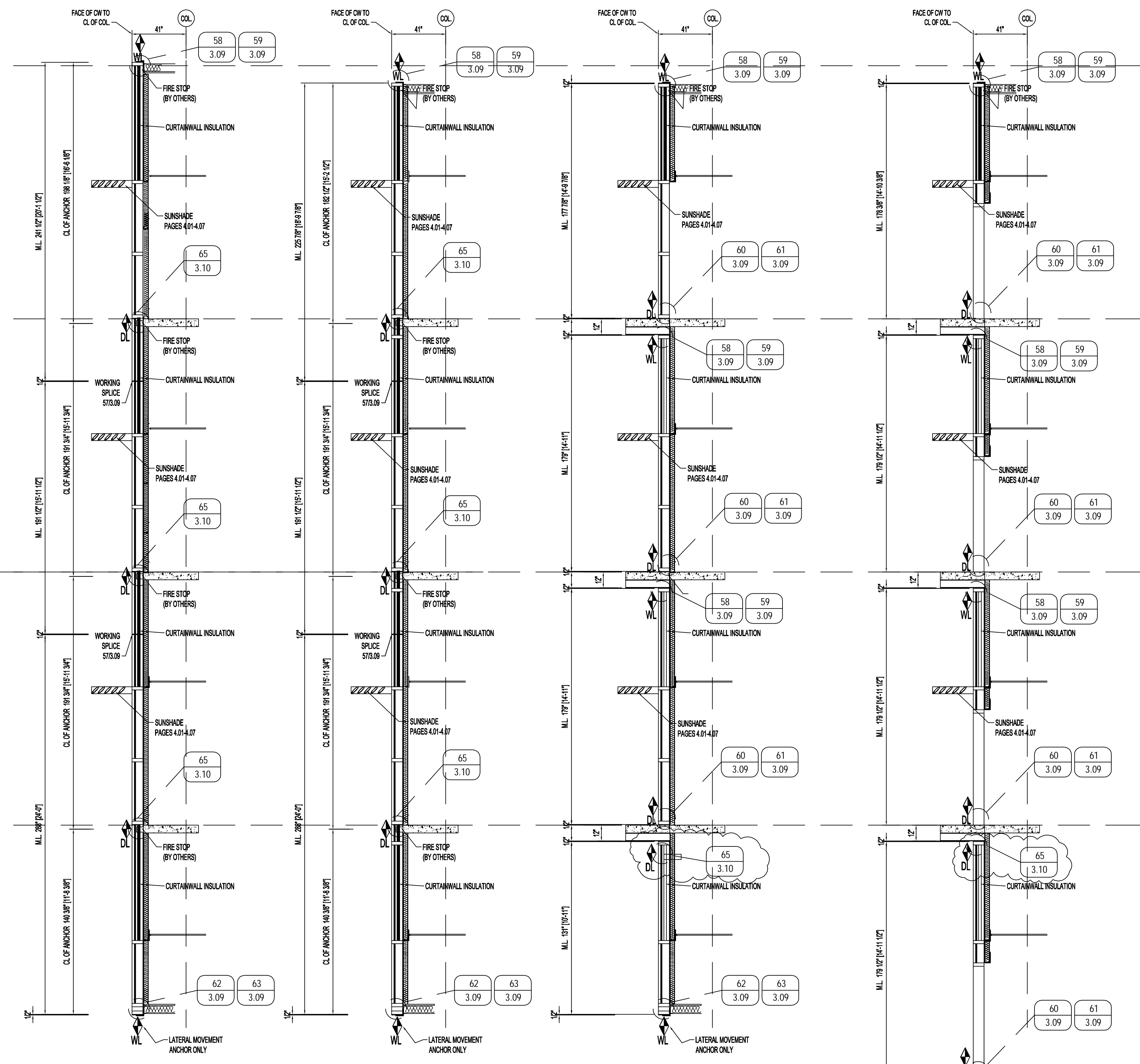
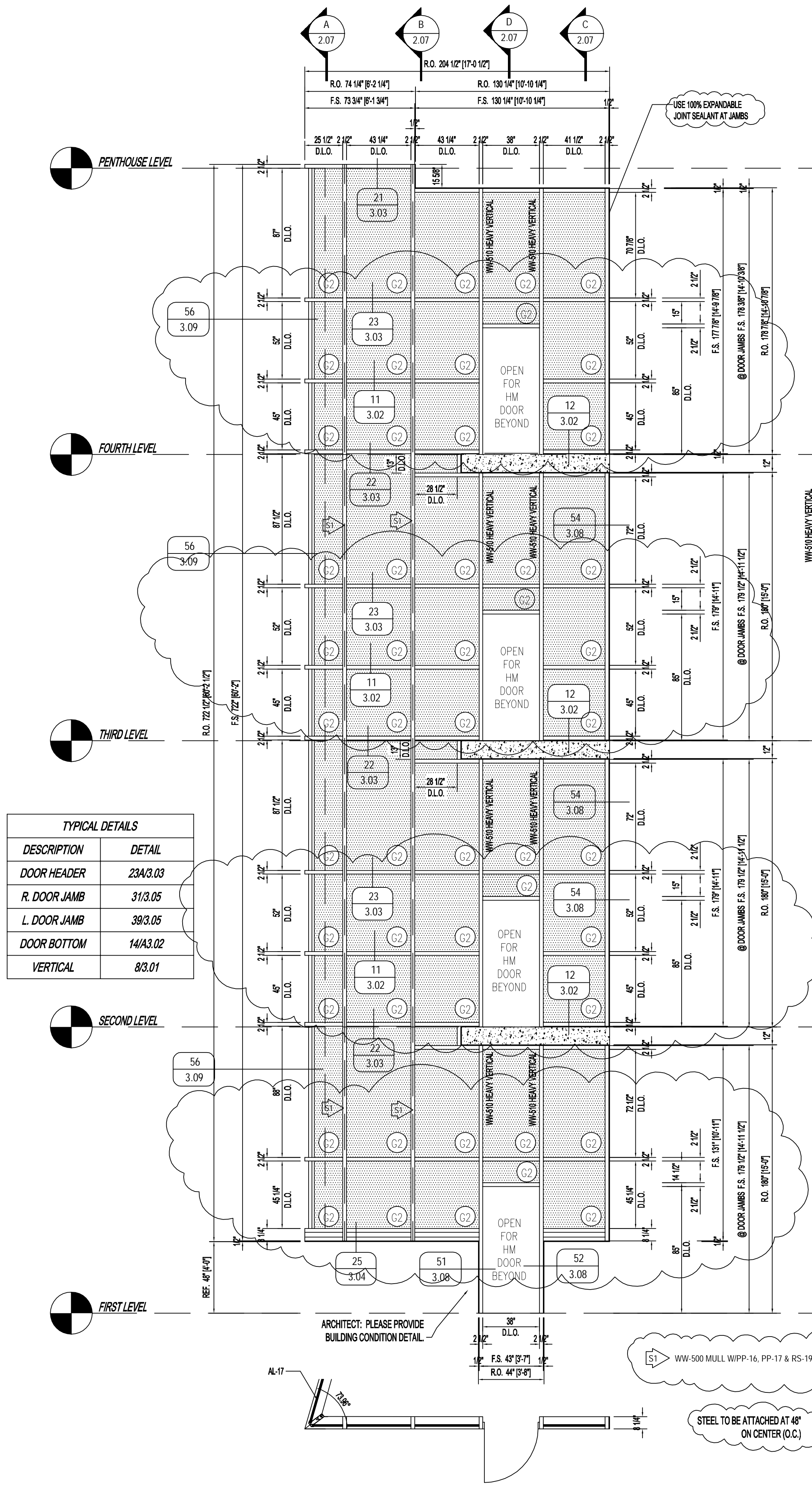
CUSTOMER NAME AND ADDRESS
PROJECT NAME AND ADDRESS

PROJECT NAME AND ADDRESS

PROJECT:	CCW	DATE:	10/20/10
CHECKED BY:	ST	DATE:	10/20/10
JOB NO.:	FLEMING		
SHEET NO.:	2.06		

NO.	DESCRIPTION	DATE
2ND REV. (ENGINEER REVIEW)		3/17/11
1ST. REVISION		2/1/11
1ST. SUBMISSION		10/20/10

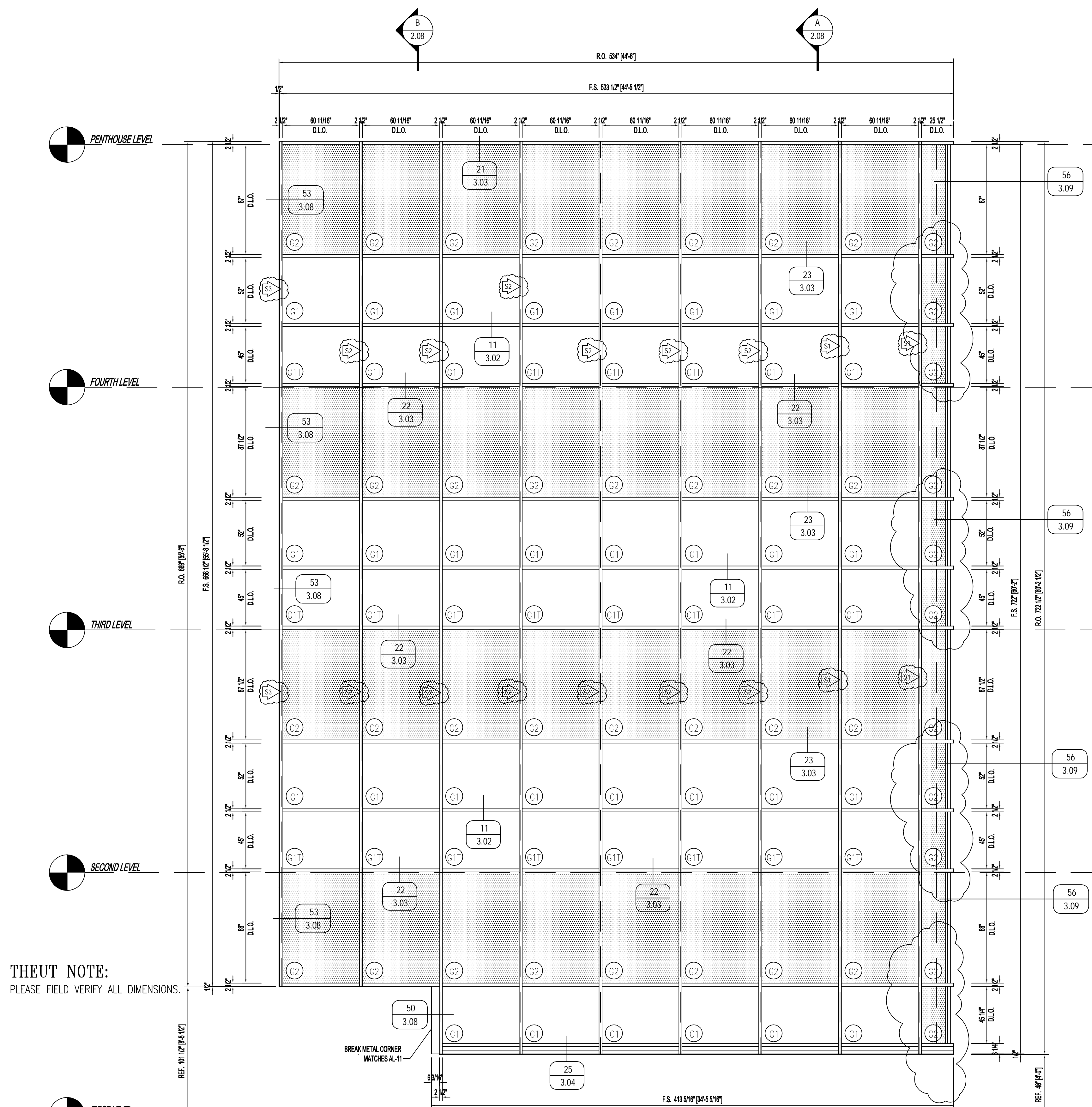
DRAWING SUBMISSION



ELEVATION AL-16
 SCALE: 1/4" = 1'-0"
 OLD CASTLE RELIANCE 2 1/2" X 8 1/4" CURTAINWALL
 ARCH. REF: A0.31
 TOTAL QUANTITY = (1) ONE REQUIRED

THEUT NOTE:
 PLEASE FIELD VERIFY ALL DIMENSIONS.

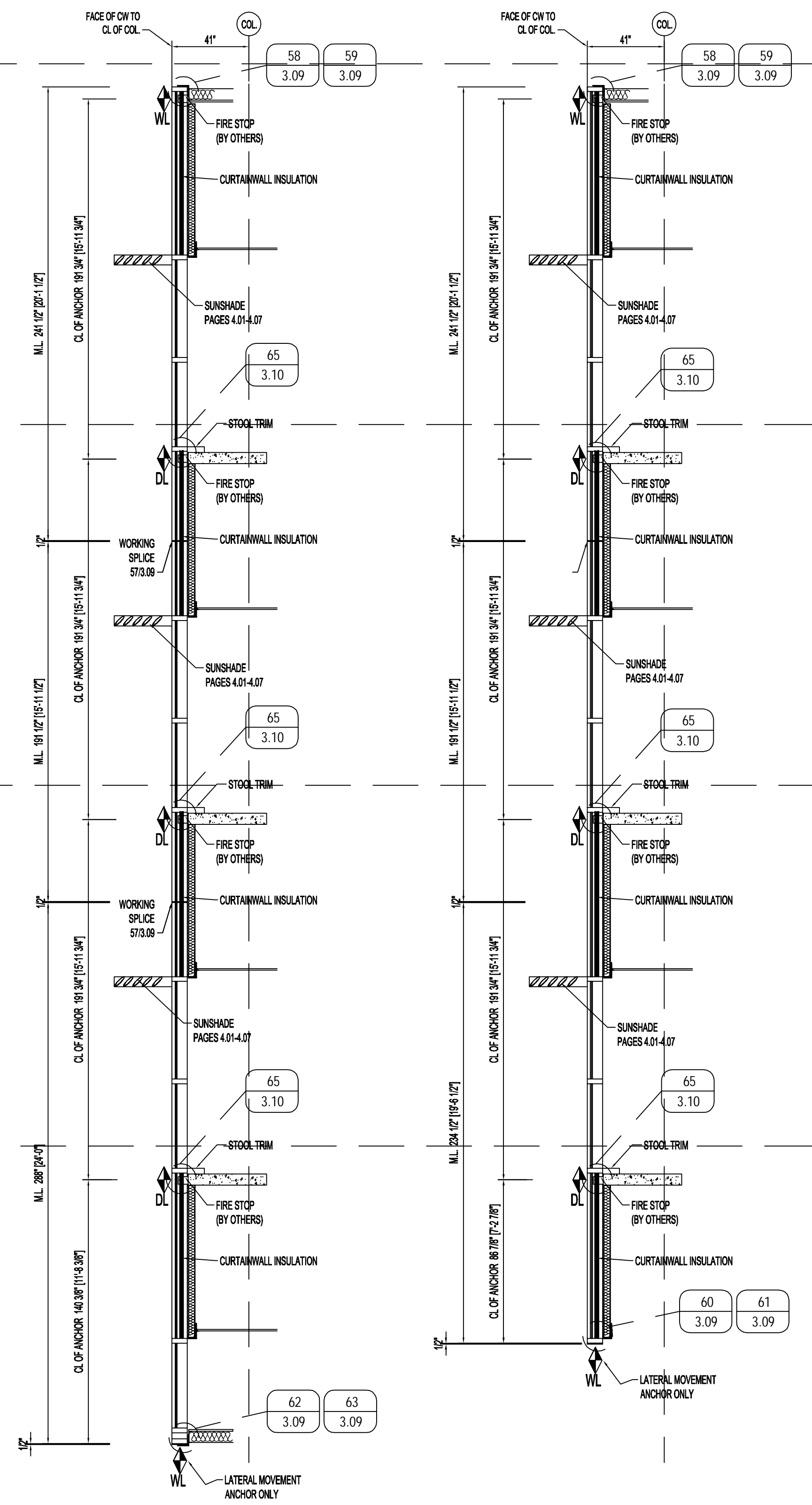
PROJECT NAME AND ADDRESS		CUSTOMER NAME AND ADDRESS	
PROJECT:	CCW	DATE:	10/20/10
CHECKED BY:	ST	DATE:	10/20/10
JOB NO.:	FLEMING	ARCHITECT:	3/17/11
SHEET NO.:	2.07	CUSTOMER:	2/1/11
			10/20/10
			1ST. SUBMISSION
			1ST. REVISION
			2ND REV. (ENGINEER REVIEW)
			DATE
			DRAWING SUBMISSION
			DESCRIPTION
			NO



THEUT NOTE:
PLEASE FIELD VERIFY ALL DIMENSIONS.

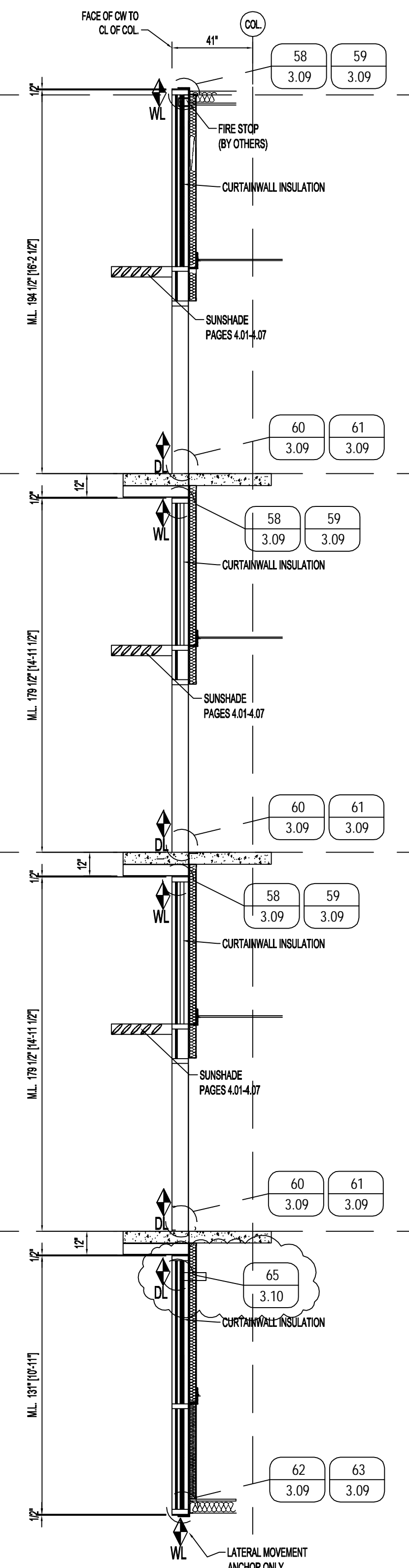
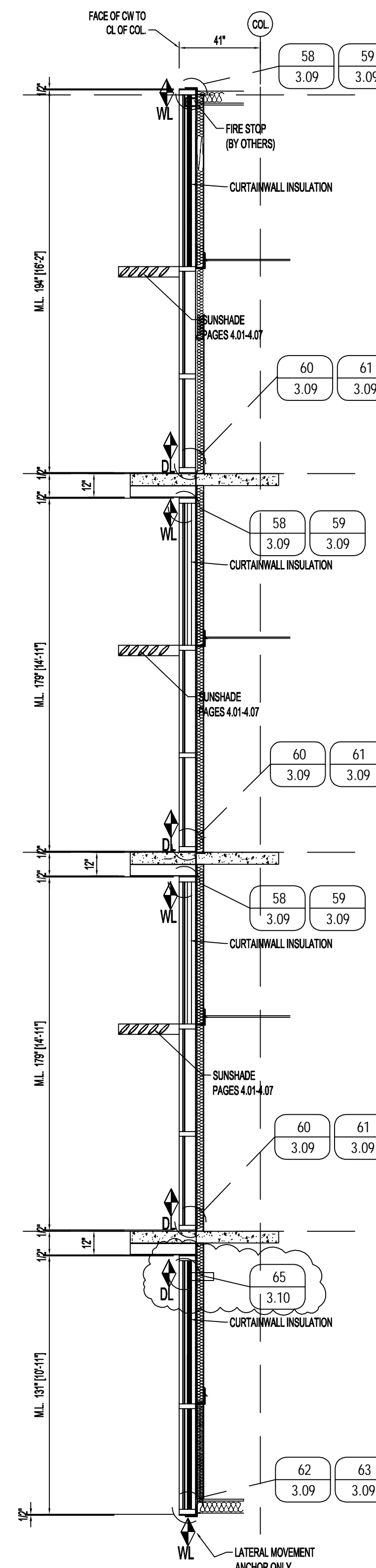
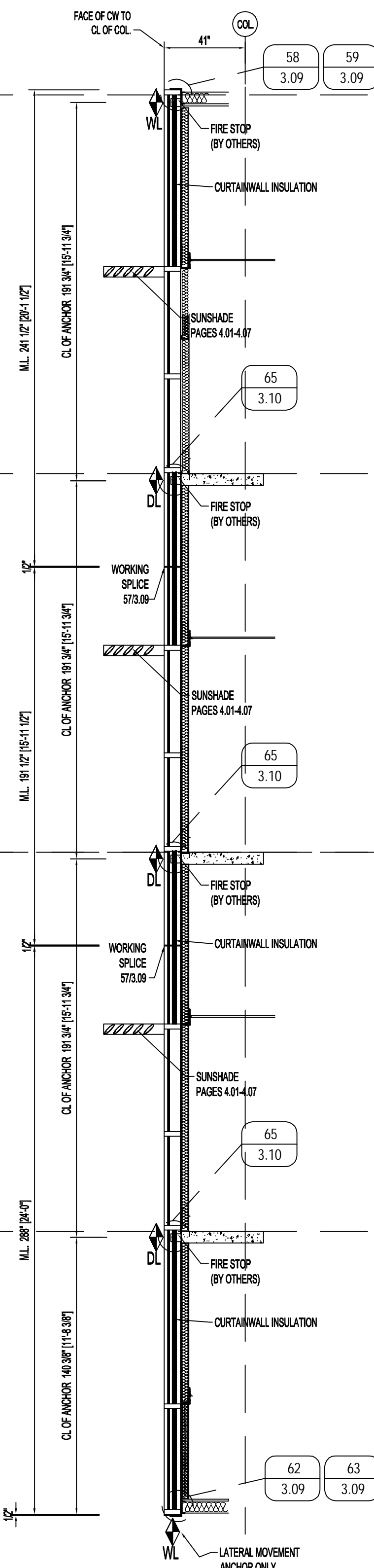
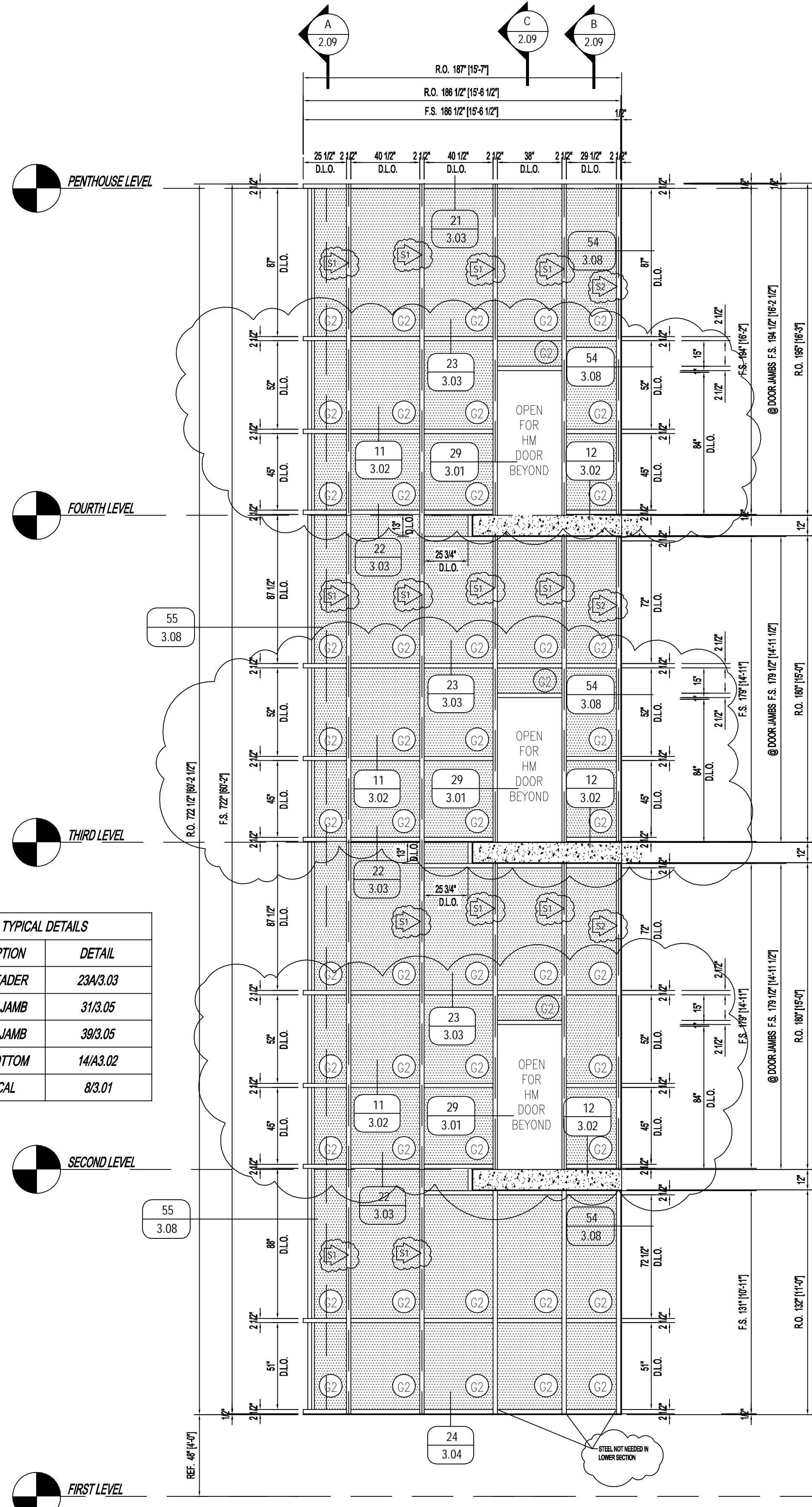
- S1 WW-500 MULL W/PP-16, PP-17 & RS-19 STEEL CHANNEL FULL HEIGHT
- S2 WW-500 MULL W/PP-16 & RS-19 STEEL CHANNEL FULL HEIGHT
- S3 WW-503 MULL W/ RS-19 STEEL CHANNEL FULL HEIGHT

STEEL TO BE ATTACHED AT 4" ON CENTER (O.C.)



ELEVATION AL-17
SCALE: 1/4" = 1'-0"
OLD CASTLE RELIANCE 2 1/2" X 8 1/4" CURTAINWALL
ARCH. REF: A0.31
TOTAL QUANTITY = (1) ONE REQUIRED

PROJECT NAME AND ADDRESS		CUSTOMER NAME AND ADDRESS	
PROJECT:	CCW	ARCHITECT:	FLEMING
CHECKED BY:	ST	CUSTOMER:	
JOB NO.:		DATE:	10/20/10
SHEET NO.:		DATE:	10/20/10
DRAWING SUBMISSION		DATE	
DESCRIPTION		NO	
1ST. SUBMISSION		10/20/10	
1ST. REVISION		2/1/11	
2ND REV. (ENGINEER REVIEW)		3/17/11	



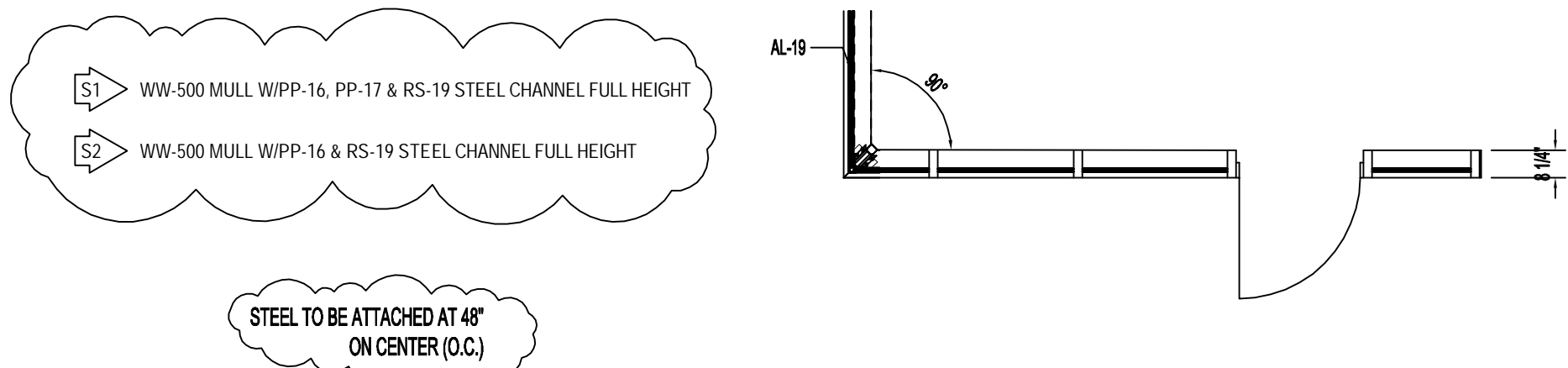
SECTION A

SECTION B

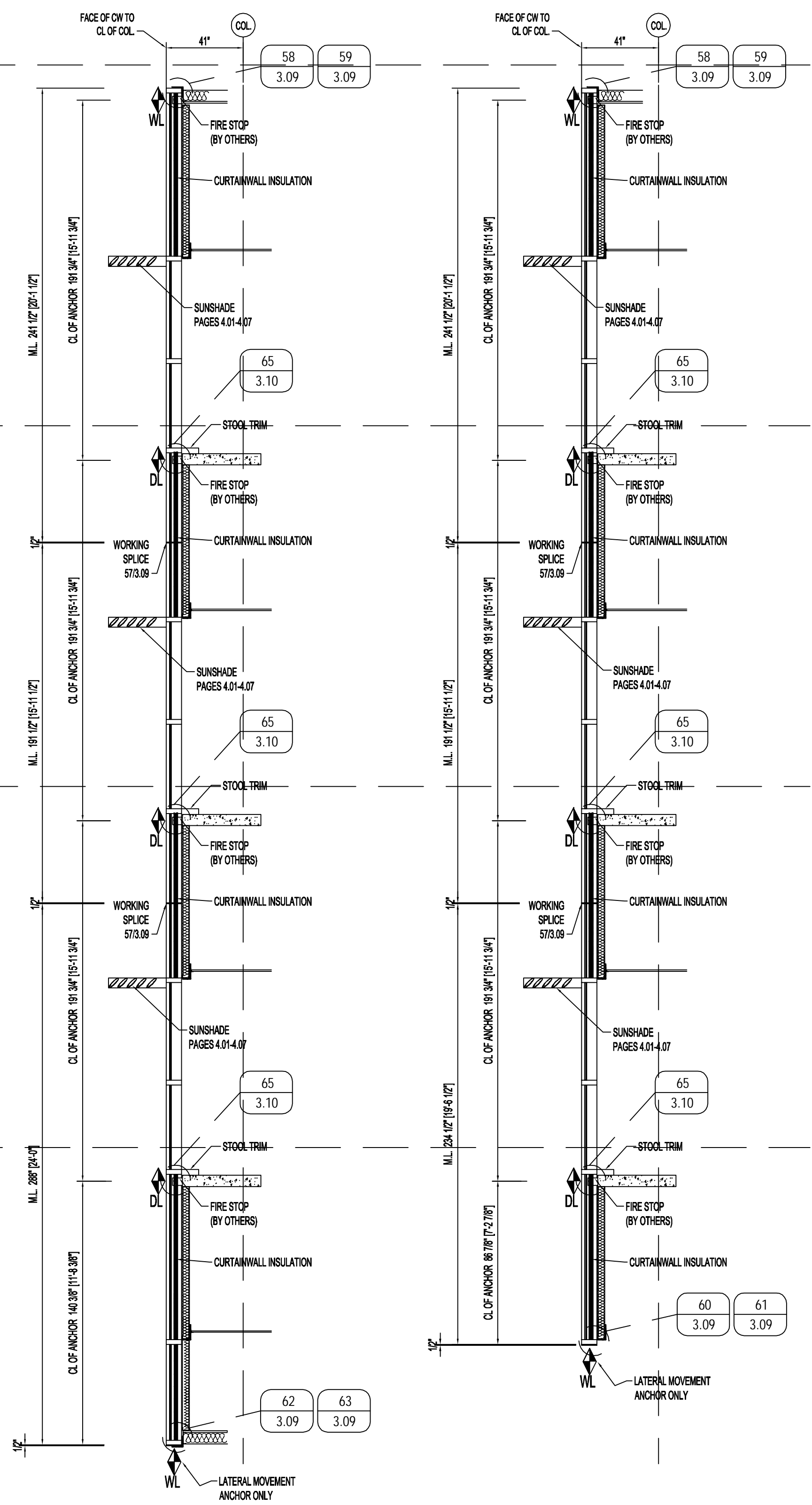
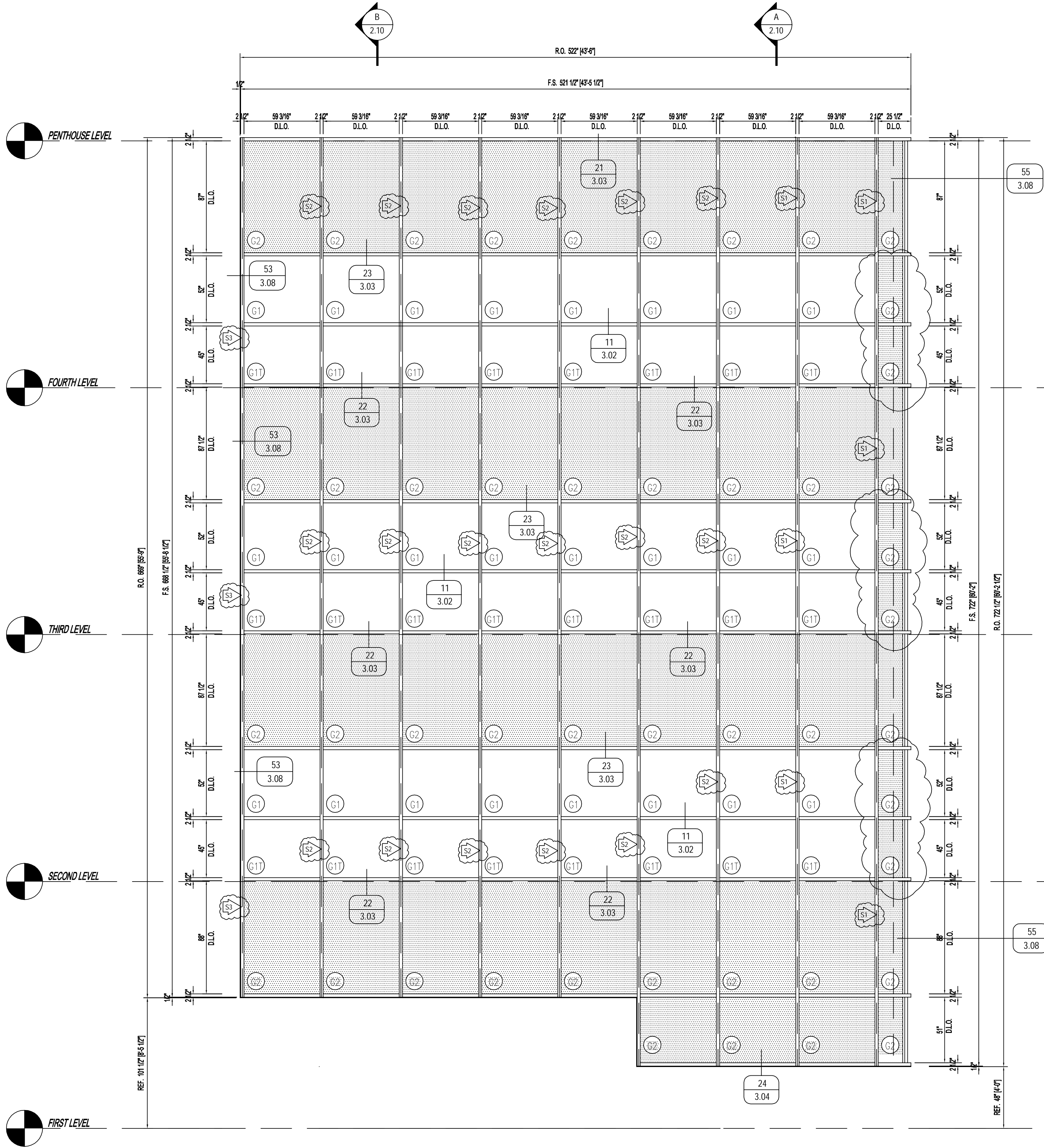
SECTION C

ELEVATION AL-18
 SCALE: 1/4" = 1'-0"
 OLD CASTLE RELIANCE 2 1/2" X 8 1/4" CURTAINWALL
 ARCH. REF: A0.31
 TOTAL QUANTITY = (1) ONE REQUIRED

THEUT NOTE:
 PLEASE FIELD VERIFY ALL DIMENSIONS.



PROJECT NAME AND ADDRESS		CUSTOMER NAME AND ADDRESS	
PROJECT:	CCW	ARCHITECT:	ST
DRAWN BY:	CCW	DATE:	10/20/10
CHECKED BY:	ST	DATE:	10/20/10
JOB NO.:	FLEMING	DATE:	10/20/10
SHEET NO.:	2.09	DESCRIPTION:	DRAWING SUBMISSION
		NO	
		1ST. SUBMISSION	10/20/10
		1ST. REVISION	2/1/11
		2ND REV. (ENGINEER REVIEW)	3/17/11



ELEVATION AL-19
 SCALE: 1/4" = 1'-0"
 OLD CASTLE RELIANCE 2 1/2" X 8 1/4" CURTAINWALL
 ARCH. REF: A0.31
 TOTAL QUANTITY = (1) ONE REQUIRED

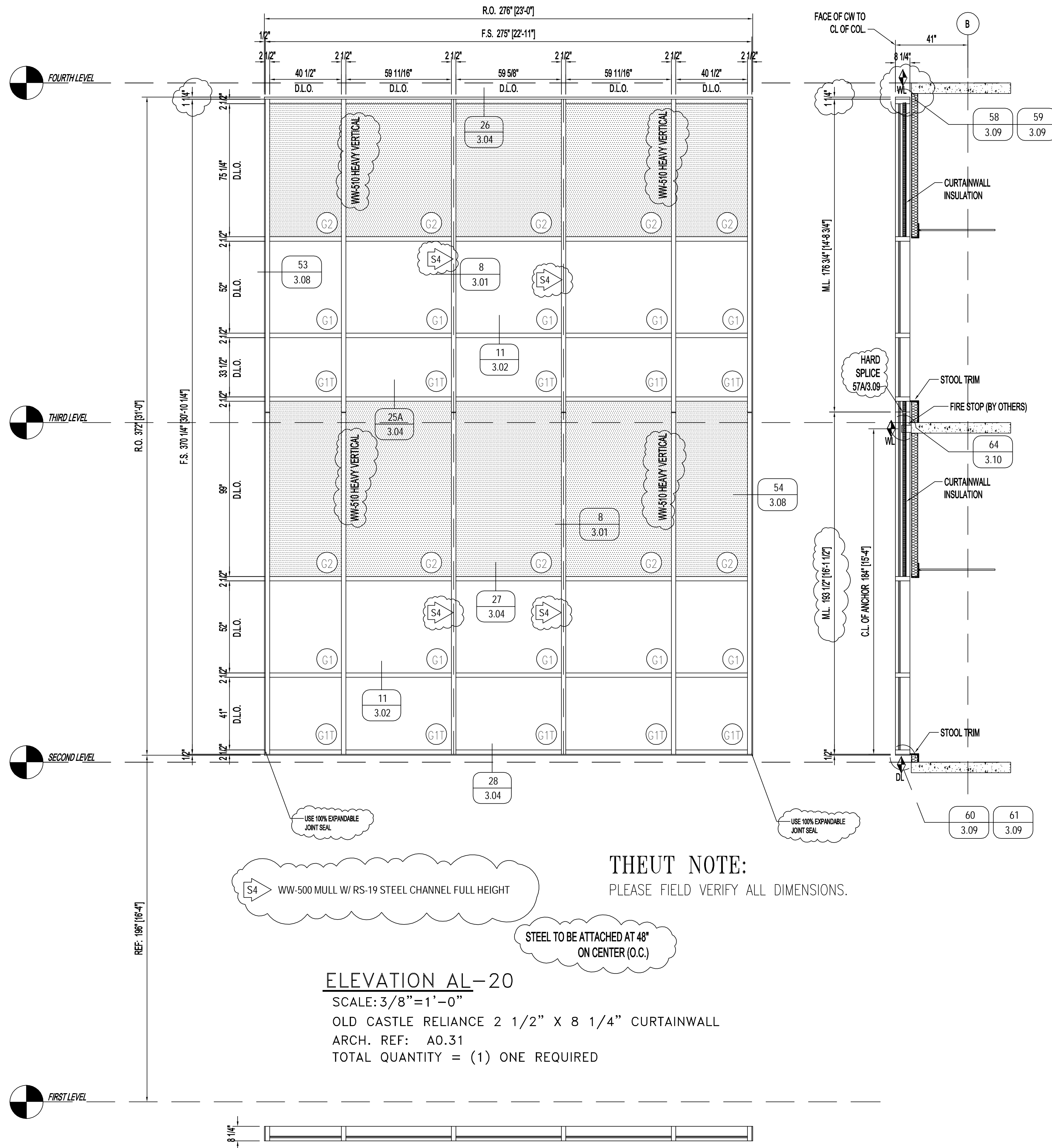
- 1 WW-500 MULL W/PP-16, PP-17 & RS-19 STEEL CHANNEL FULL HEIGHT
- 2 WW-500 MULL W/PP-16 & RS-19 STEEL CHANNEL FULL HEIGHT
- 3 WW-503 MULL W/ RS-19 STEEL CHANNEL FULL HEIGHT

STEEL TO BE ATTACHED AT 48" ON CENTER (O.C.)

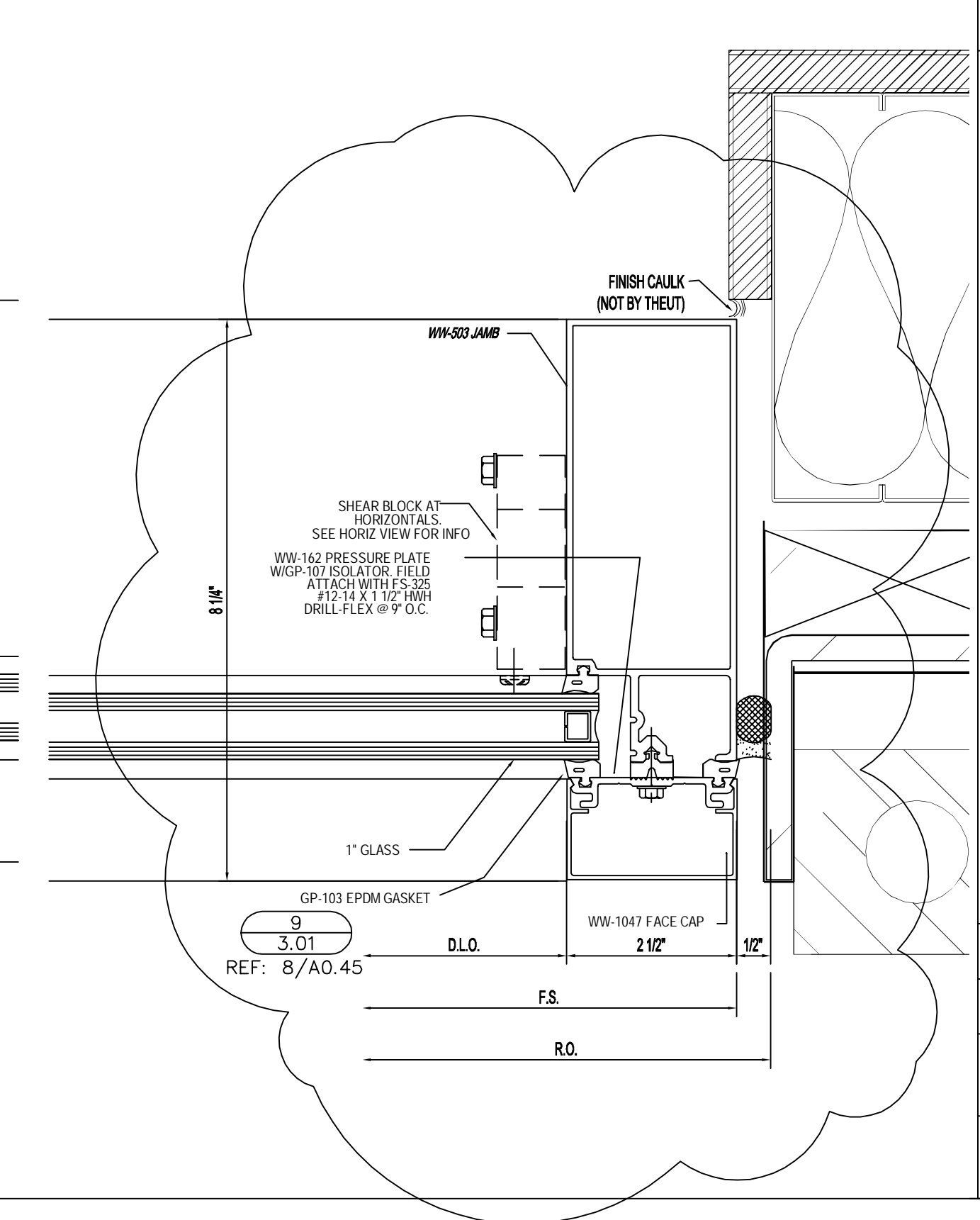
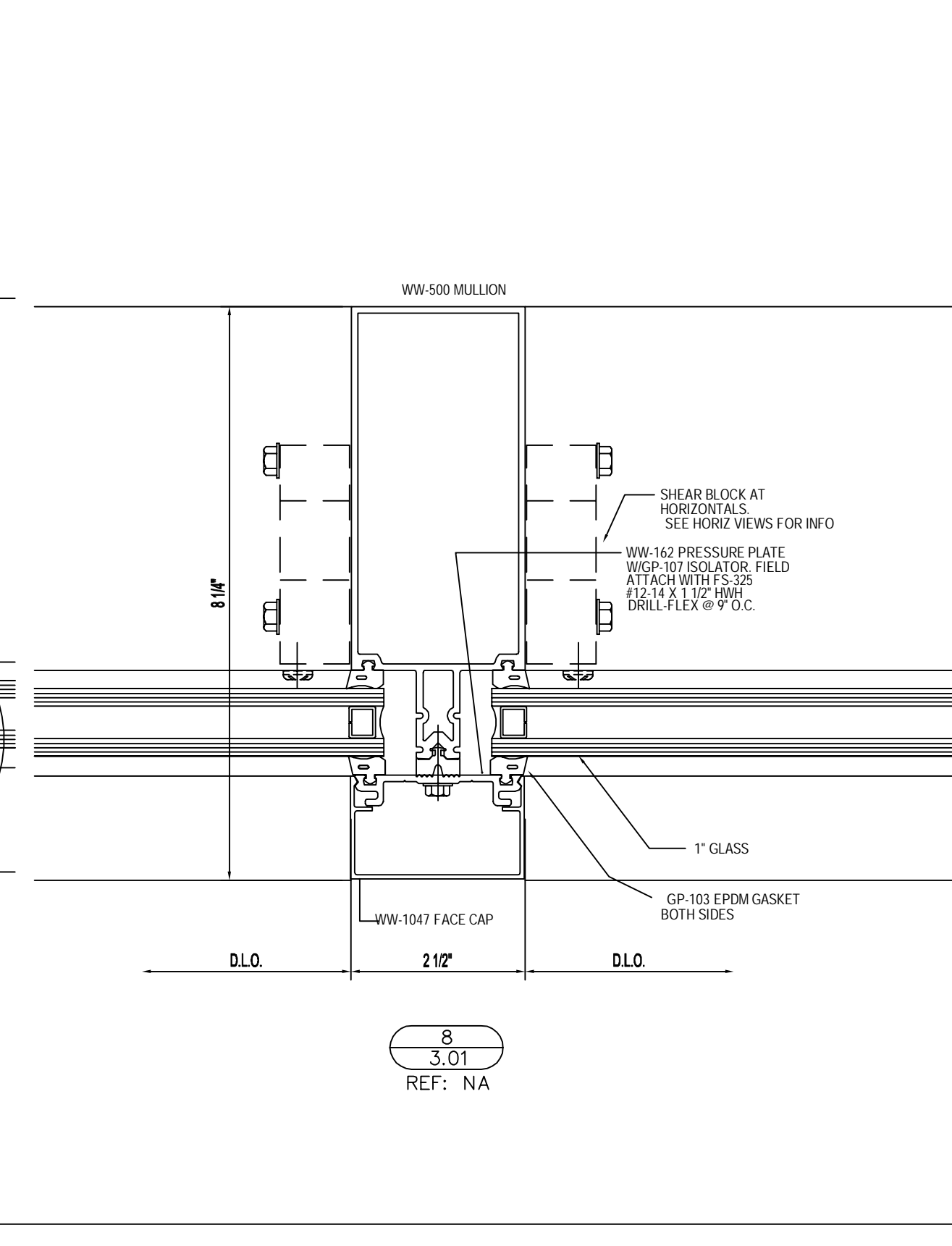
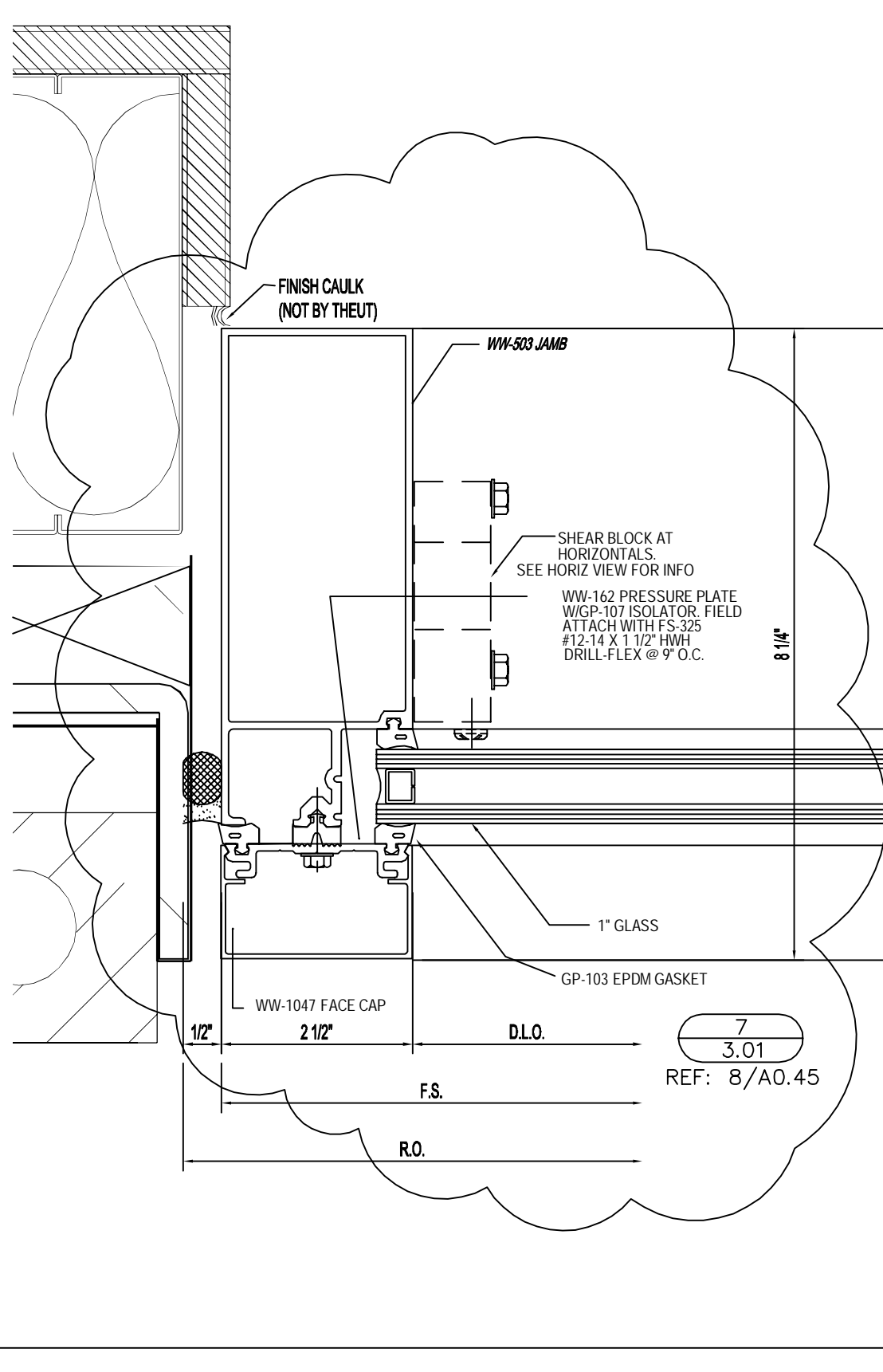
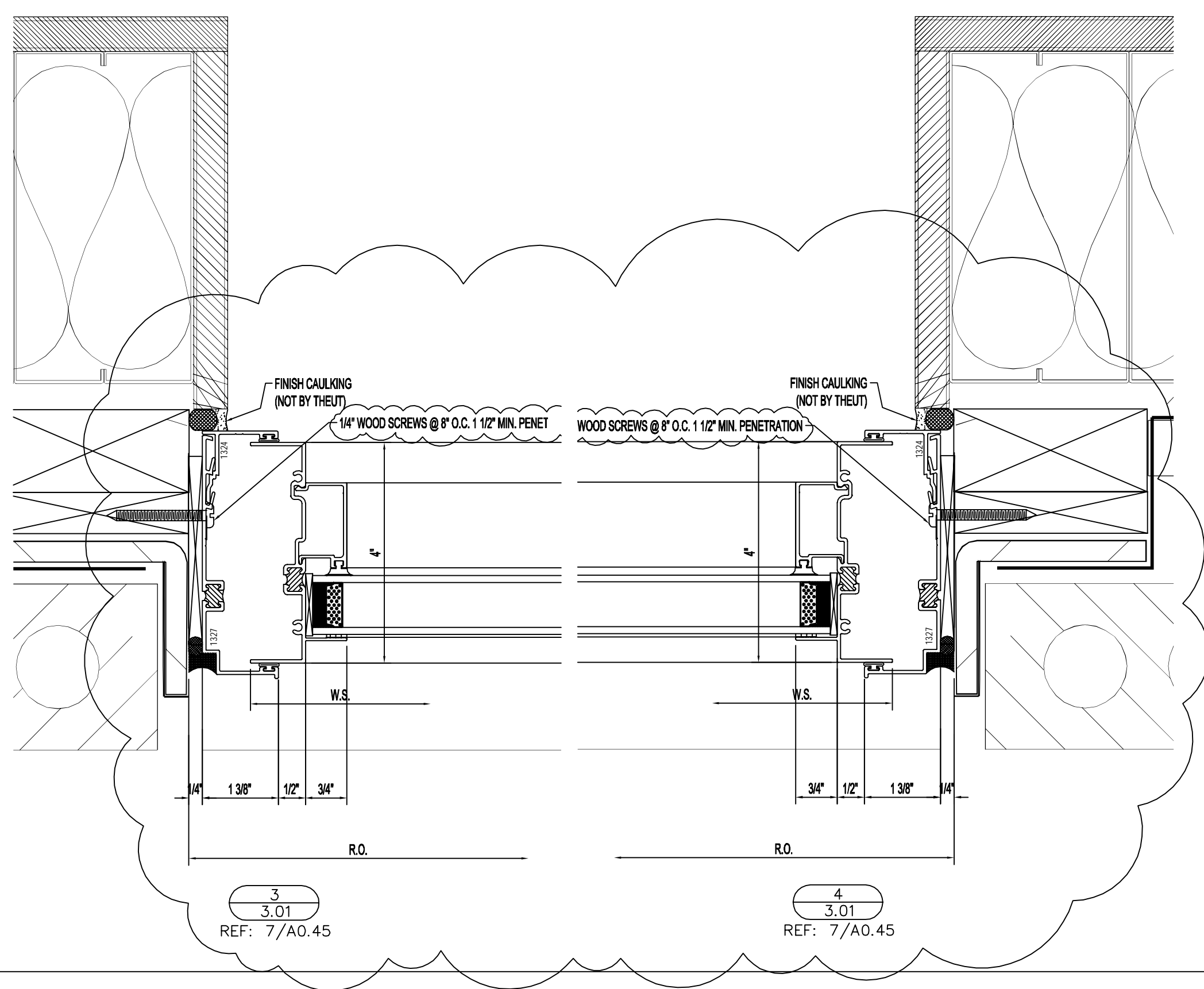
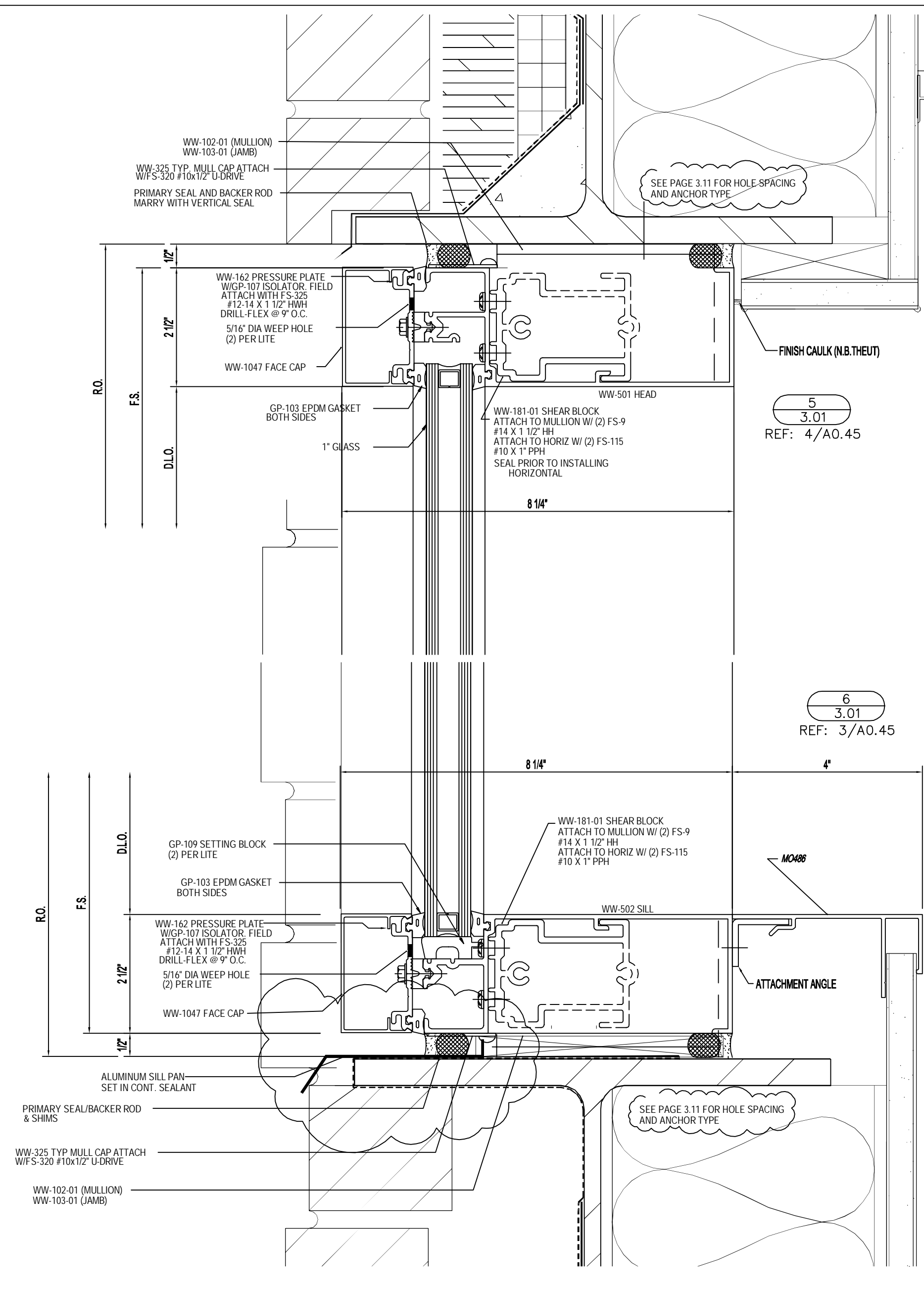
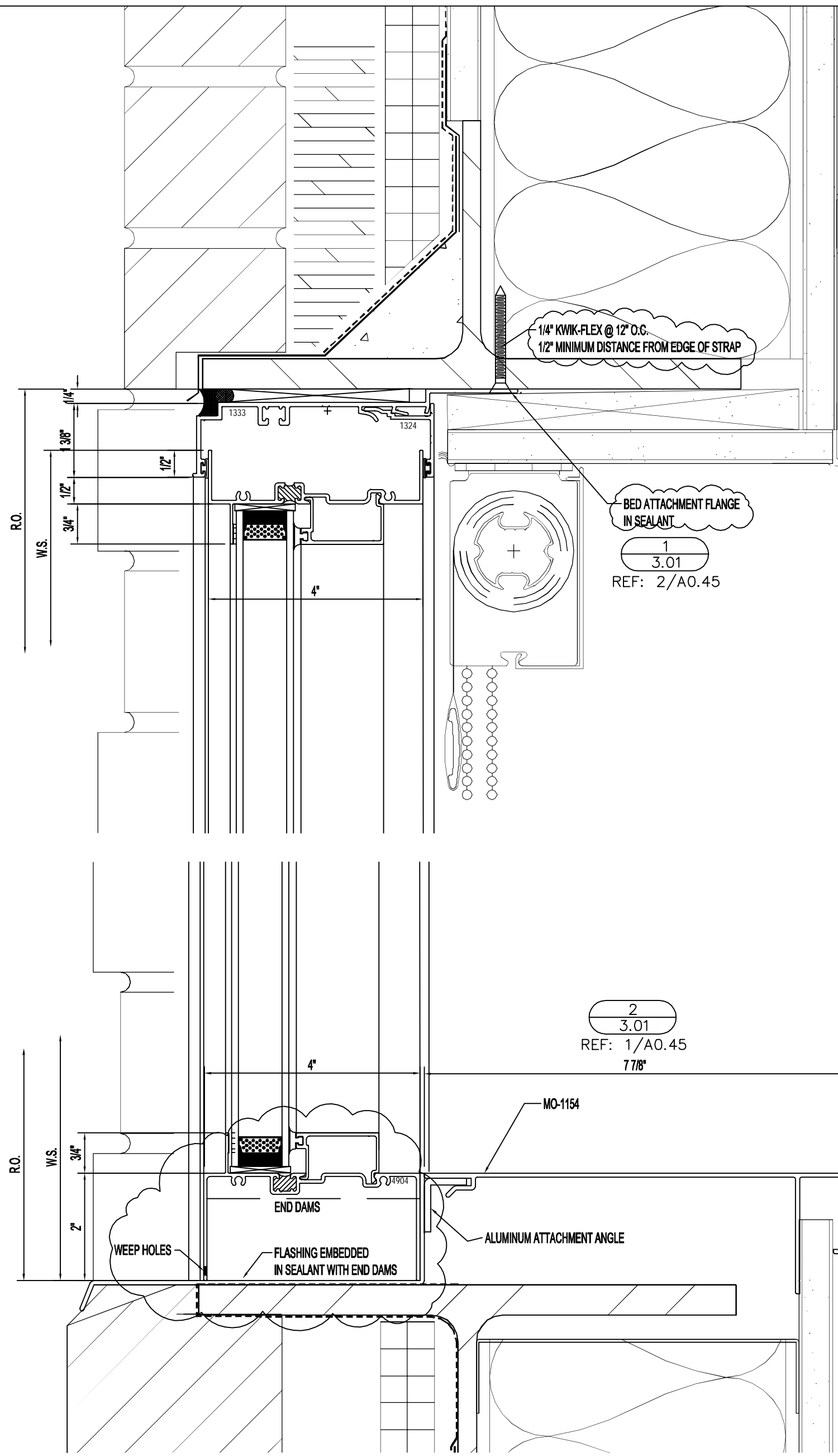
THEUT NOTE:
 PLEASE FIELD VERIFY ALL DIMENSIONS.



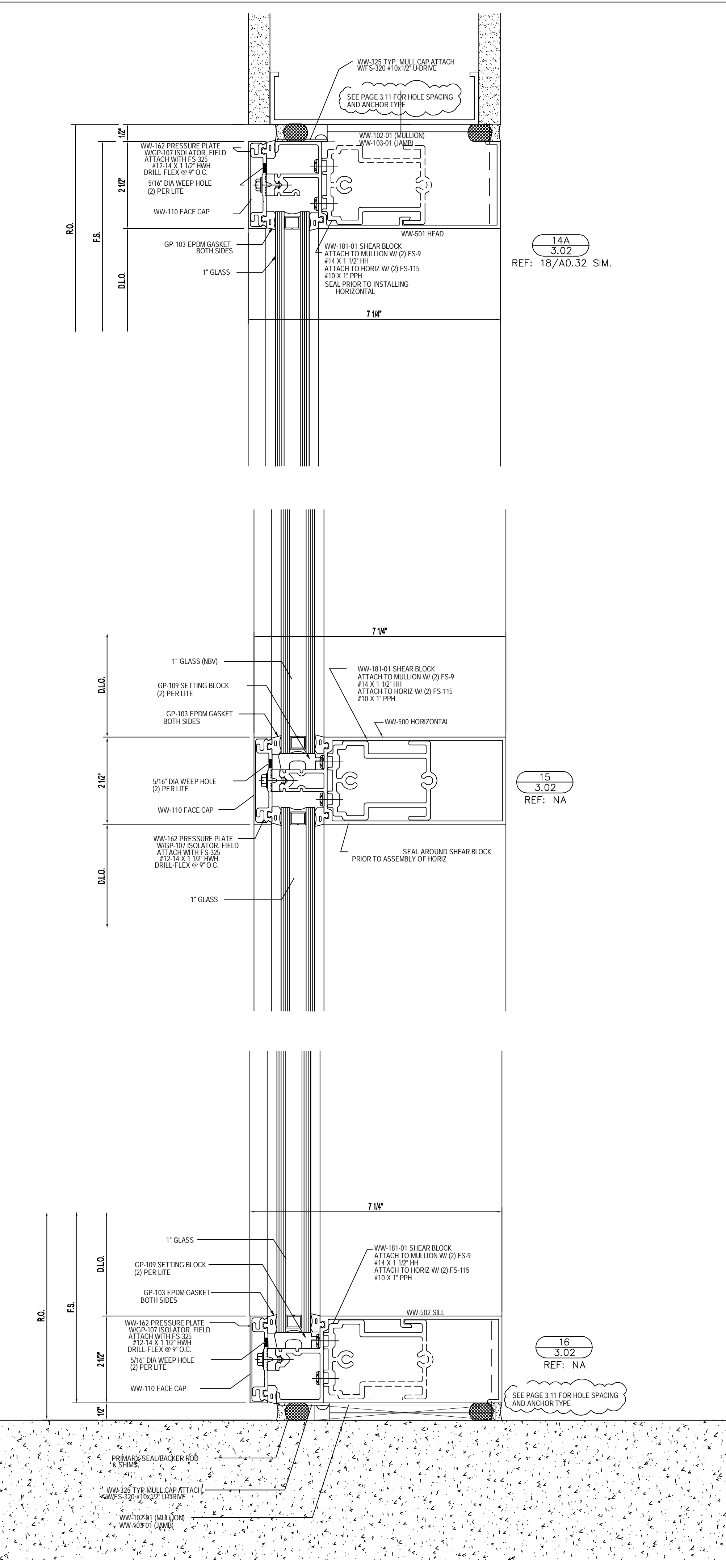
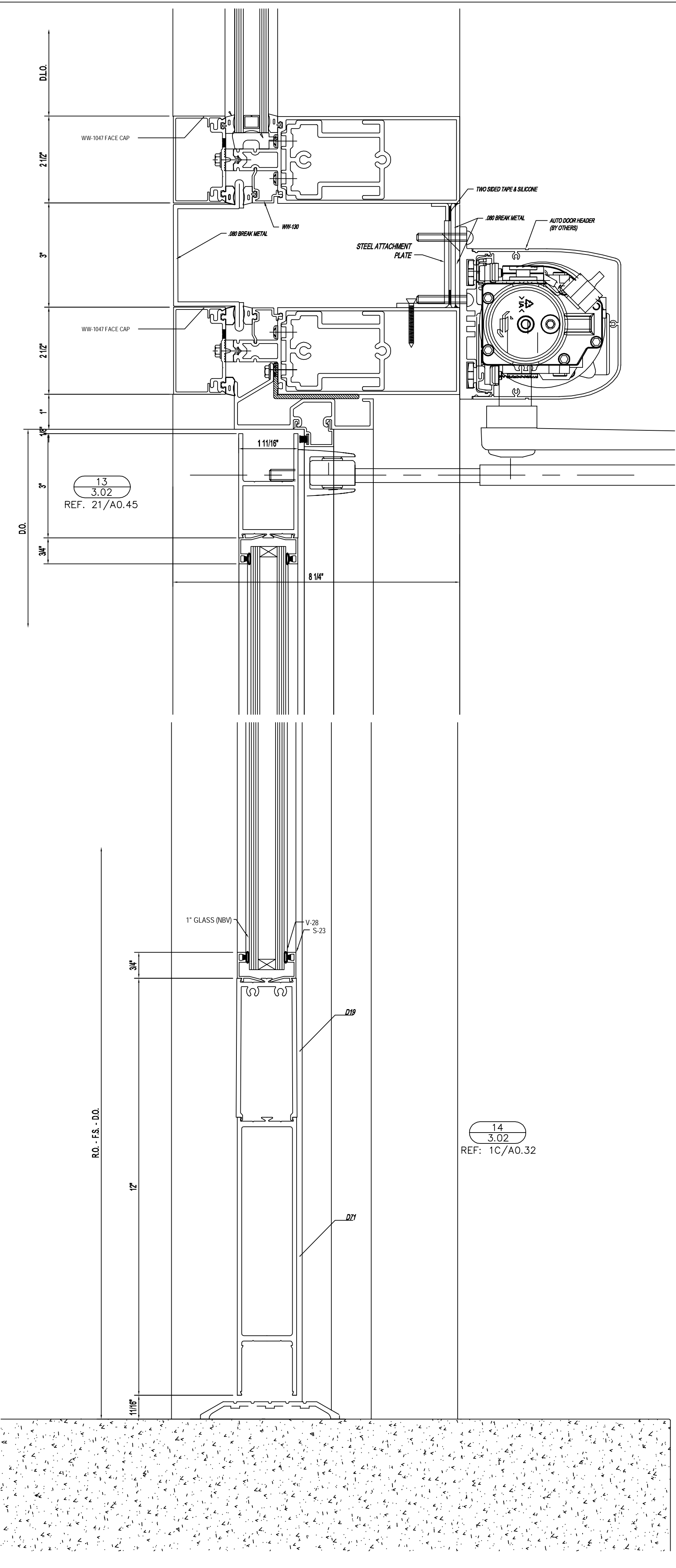
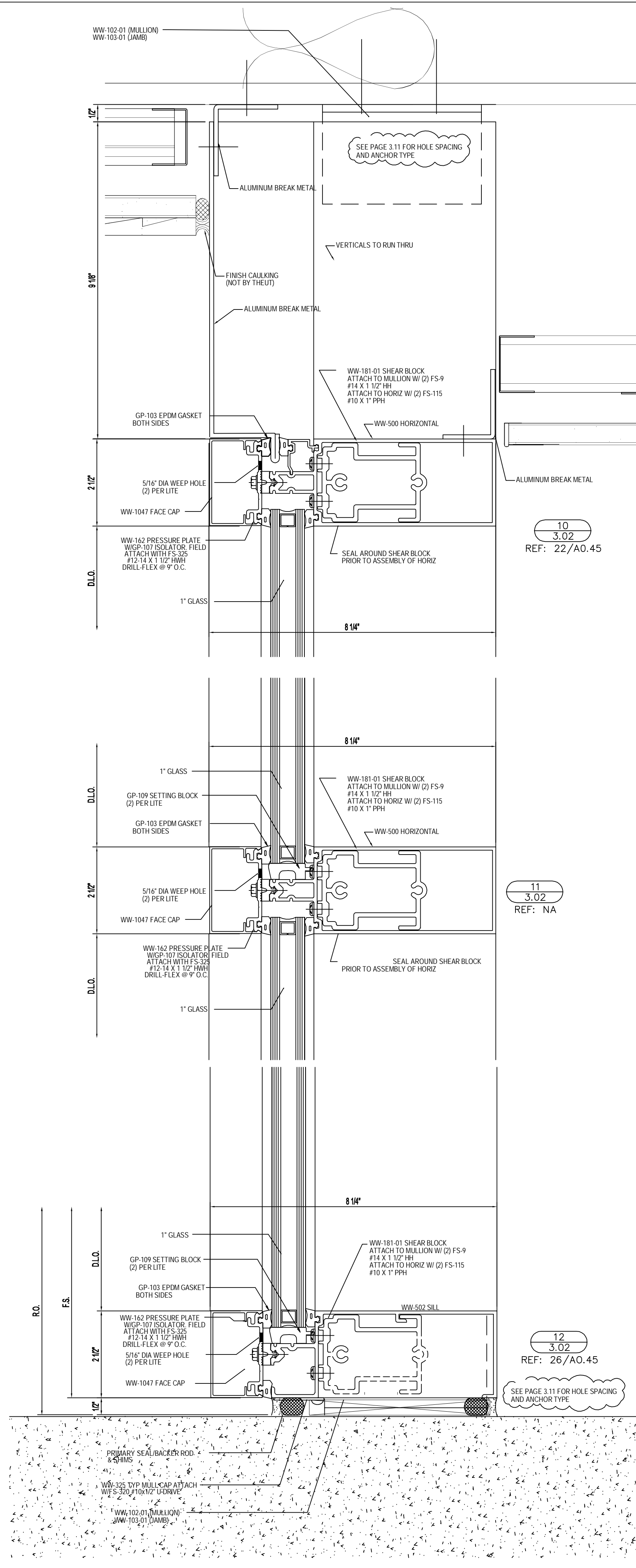
PROJECT NAME AND ADDRESS		CUSTOMER NAME AND ADDRESS	
PROJECT:	CCW	ARCHITECT:	DATE: 10/20/10
CHECKED BY:	ST	CUSTOMER:	DATE: 10/20/10
JOB NO.: FLEMING		SHEET NO.: 2.10	
PROJECT NO.:		DRAWING SUBMISSION	
2ND REV. (ENGINEER REVIEW)		3/17/11	
1ST. REVISION		2/1/11	
1ST. SUBMISSION		10/20/10	
NO		DATE	
DESCRIPTION		DATE	



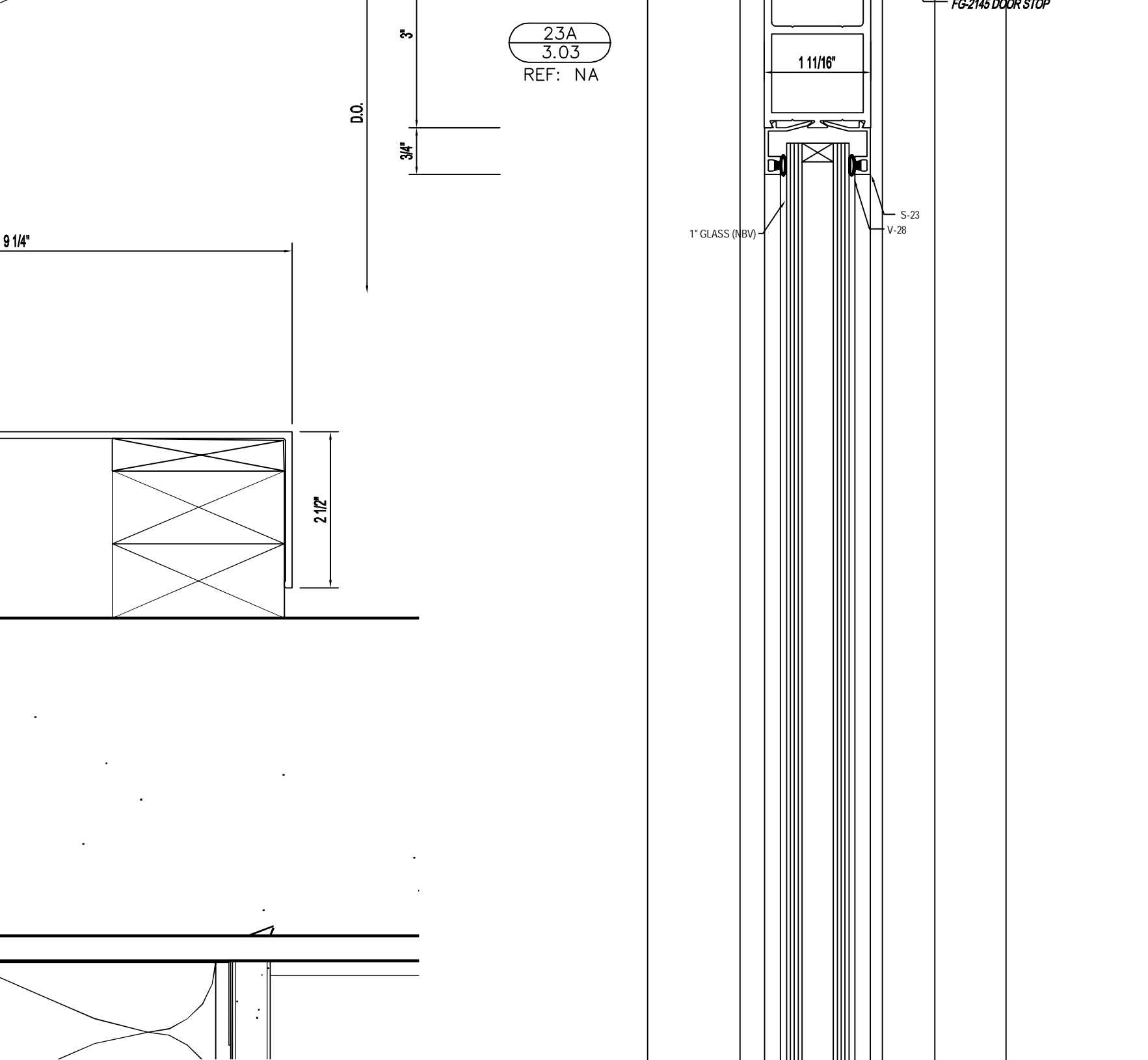
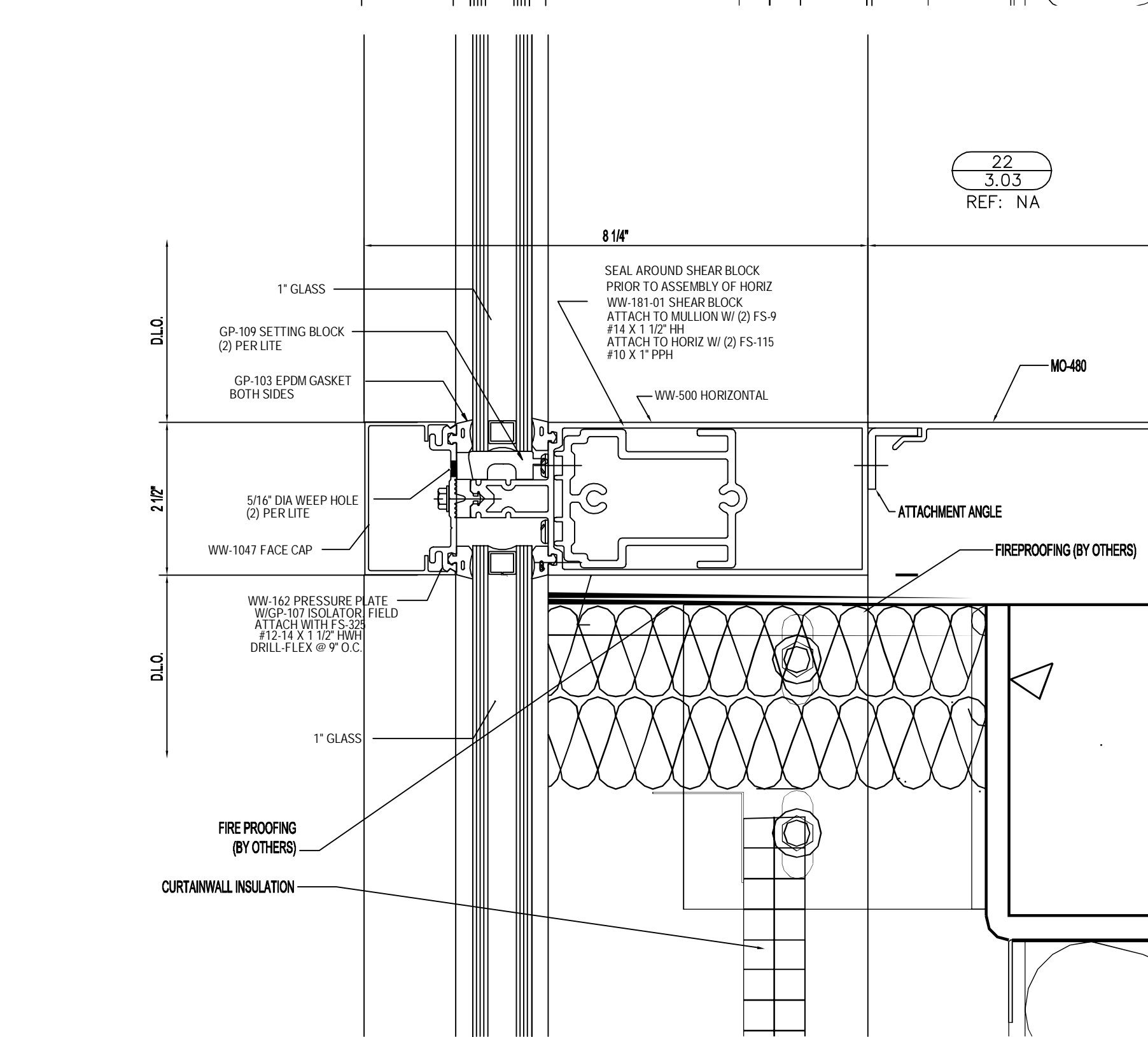
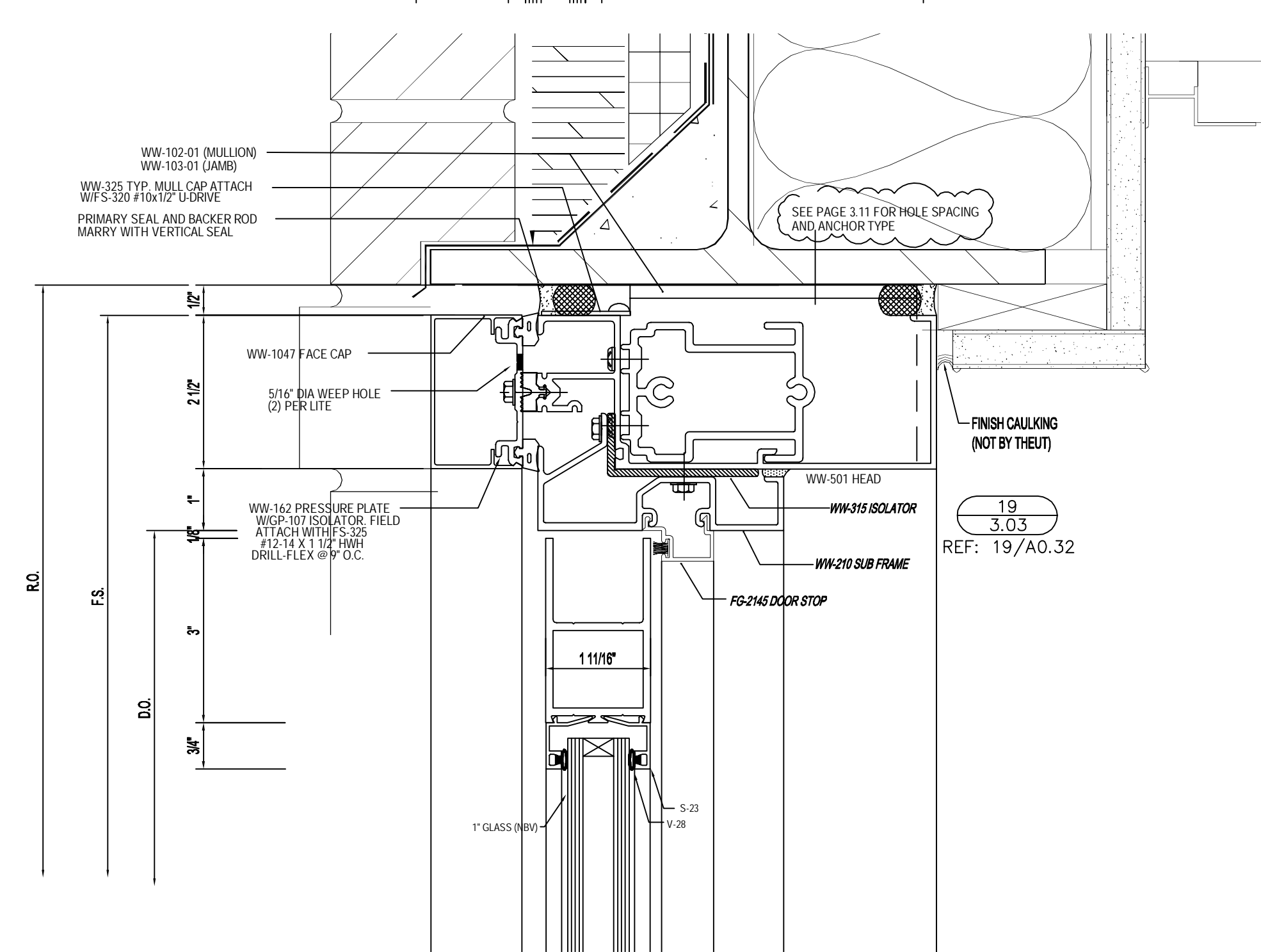
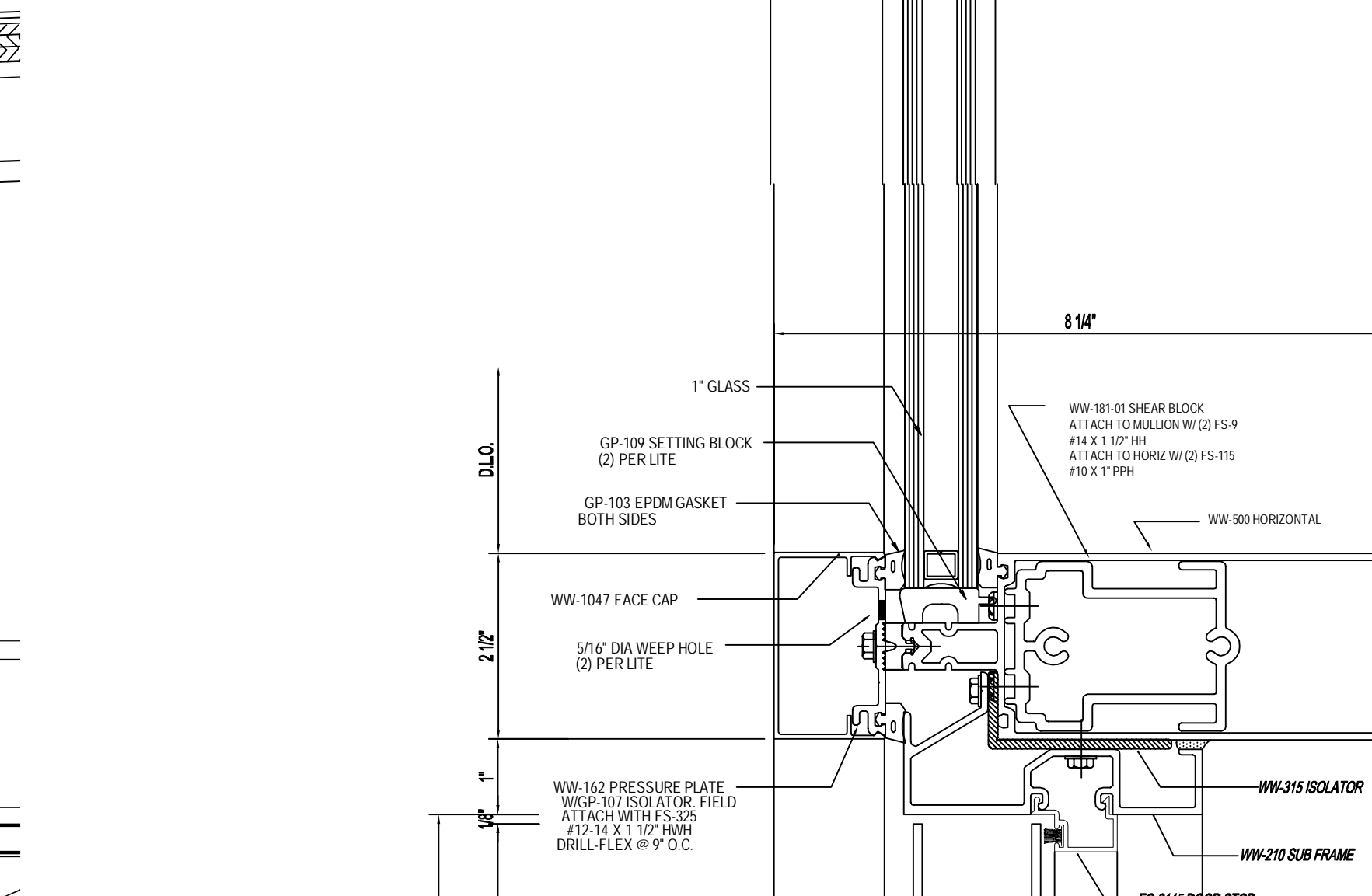
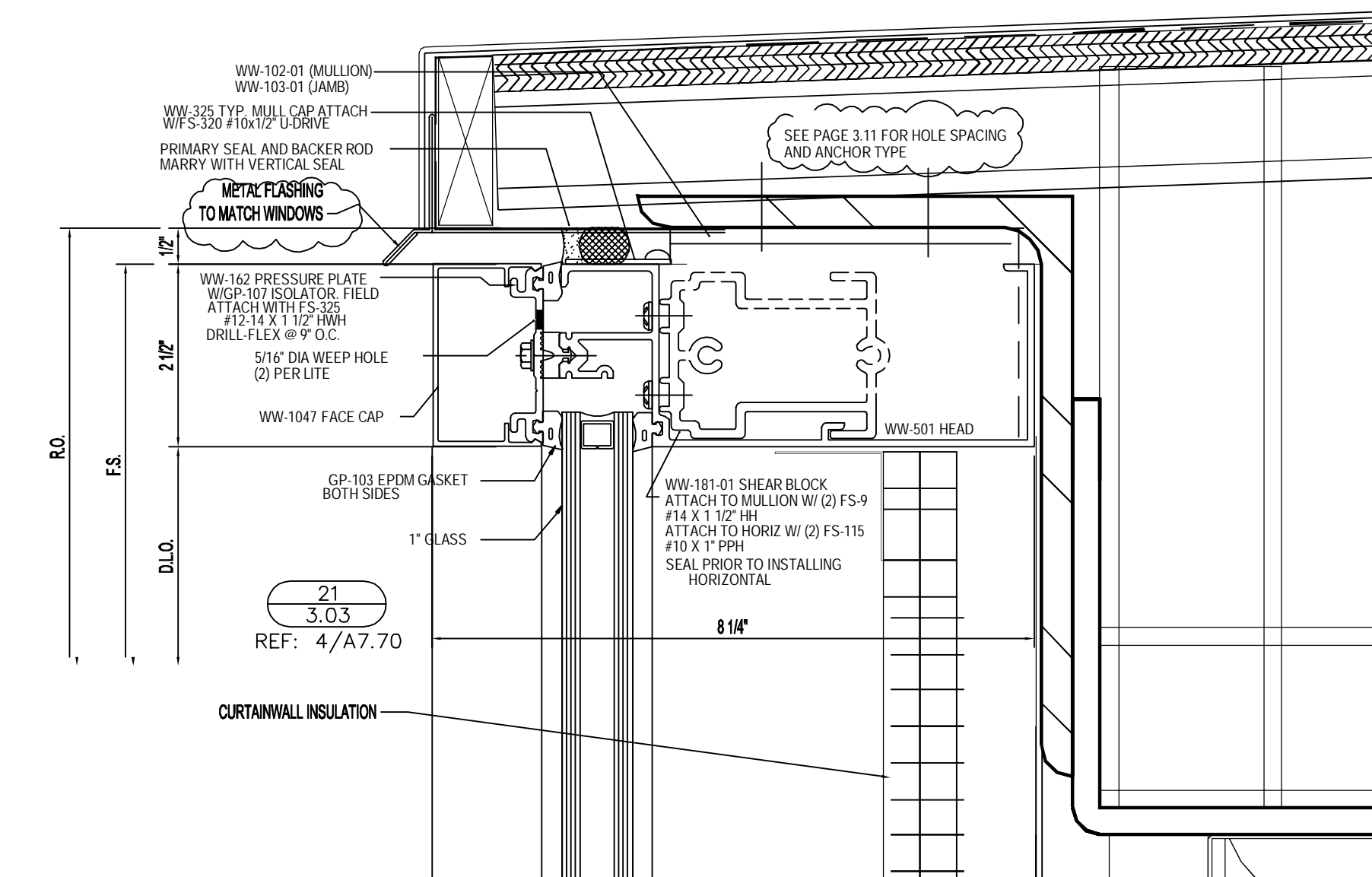
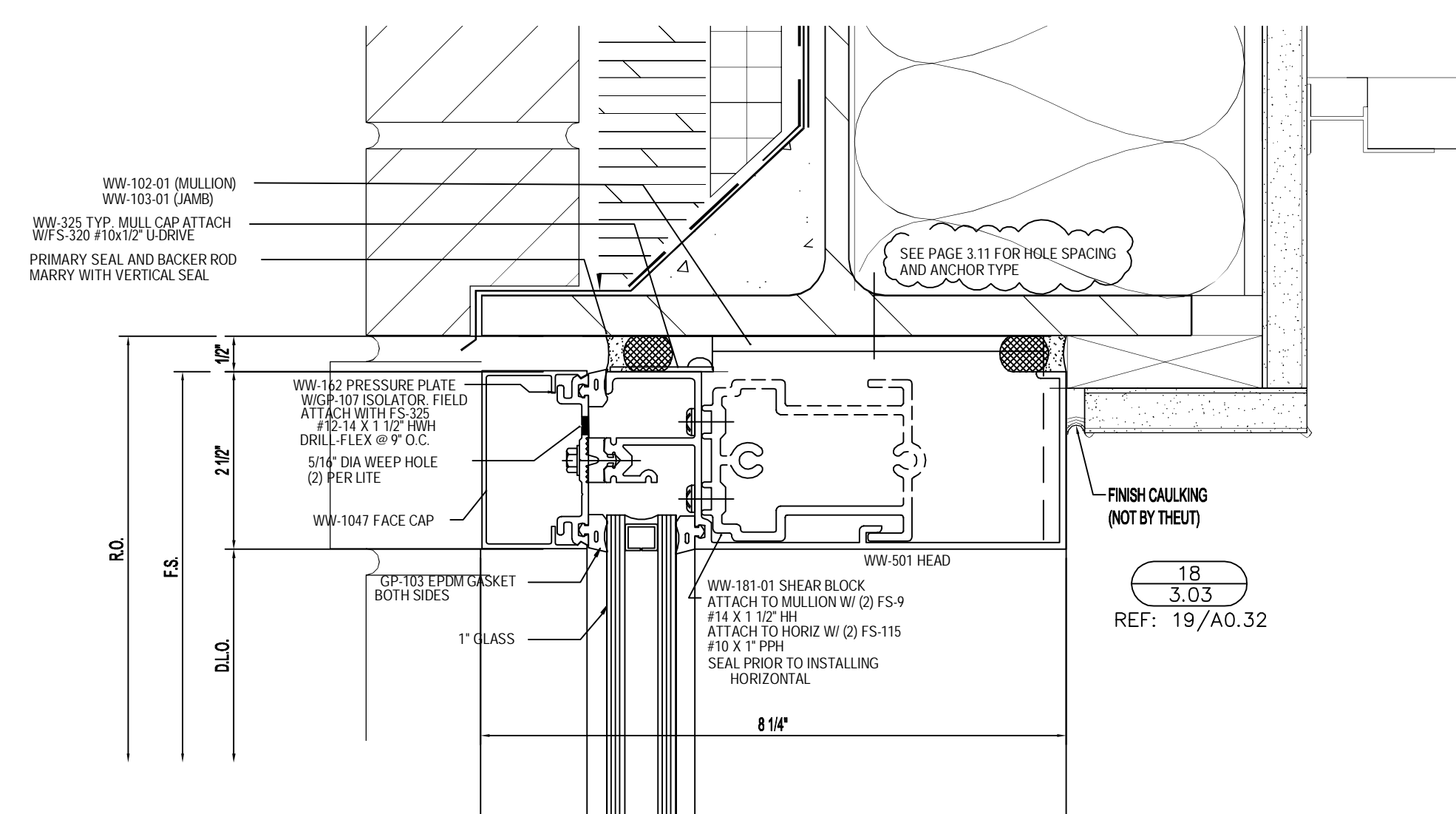
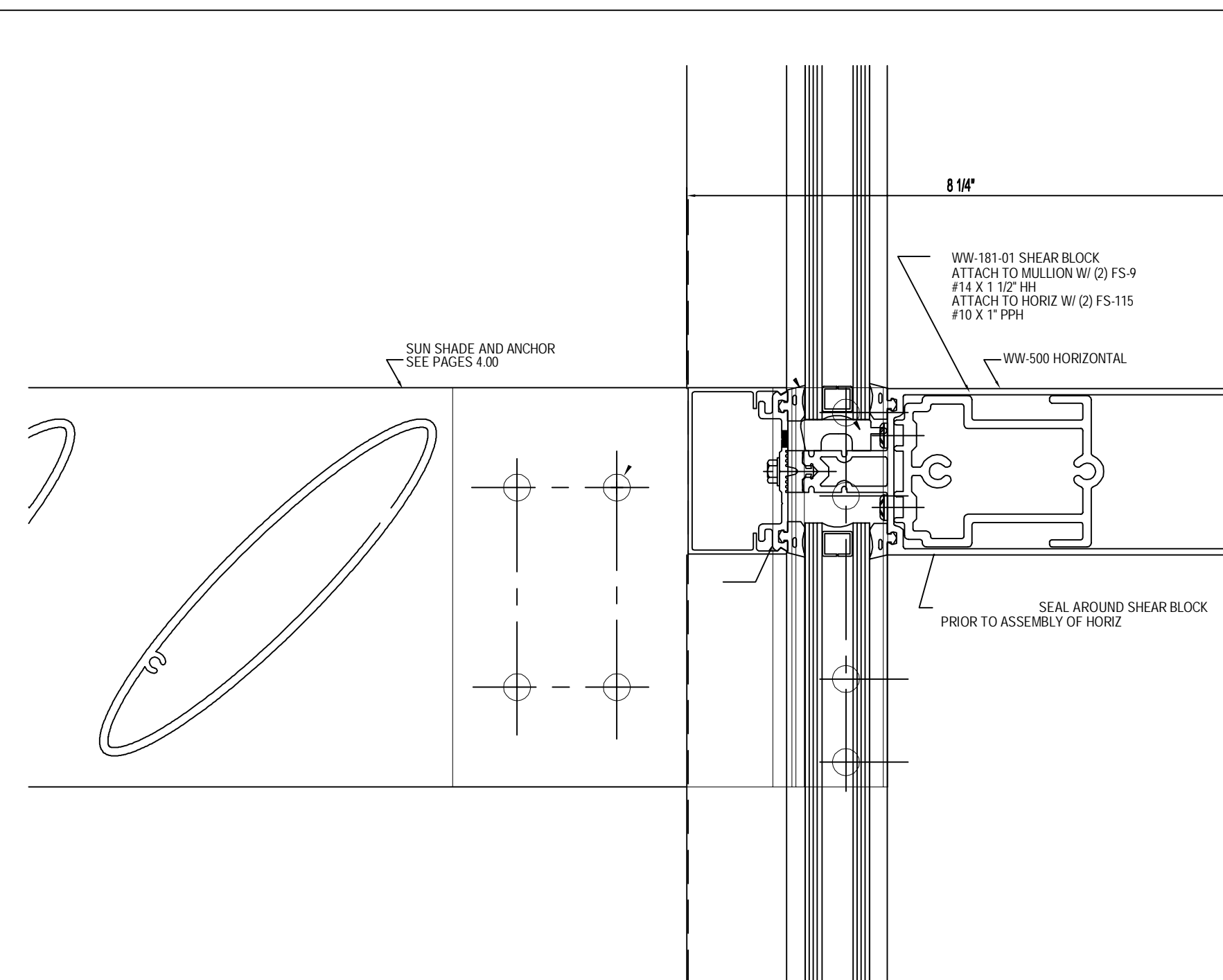
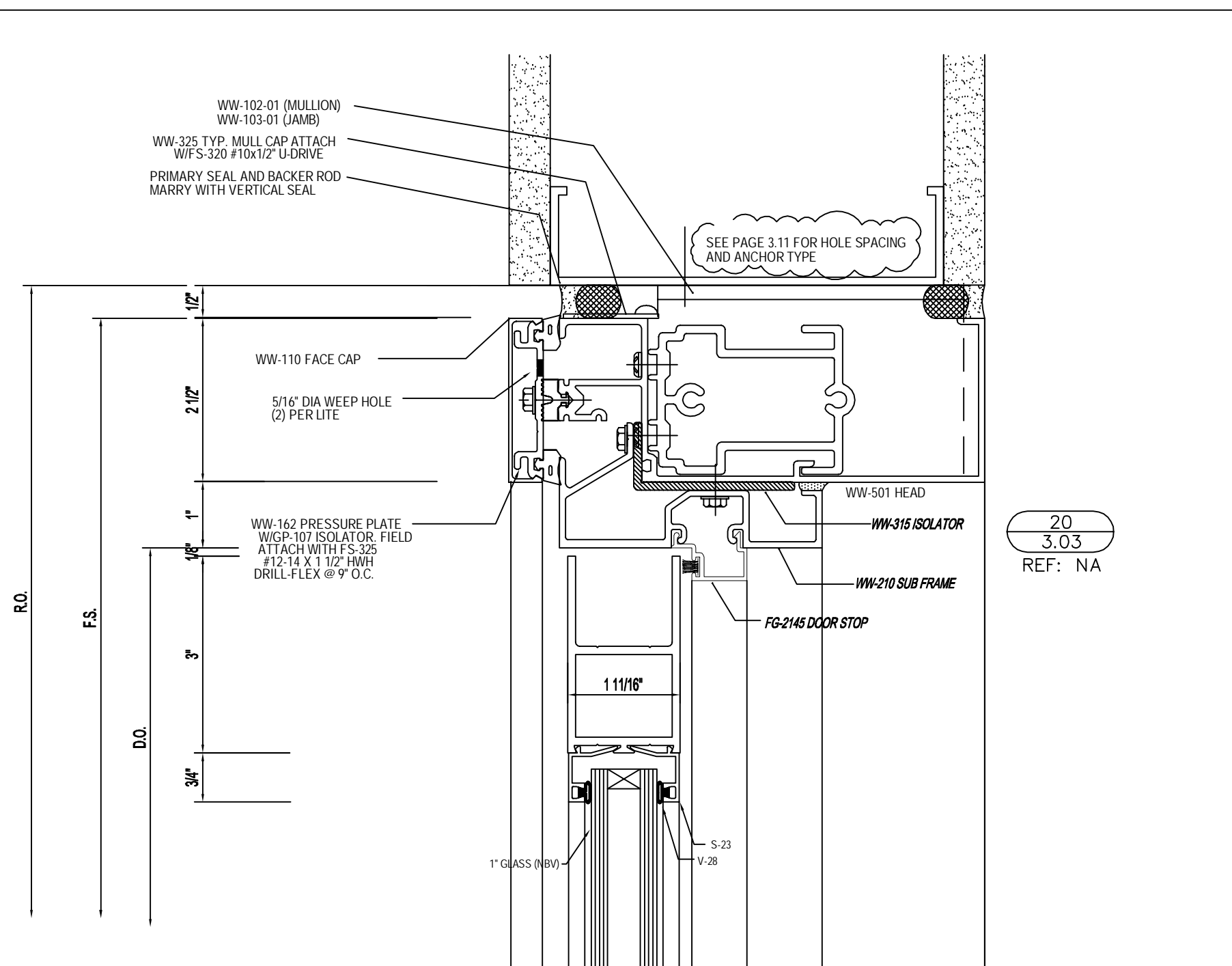
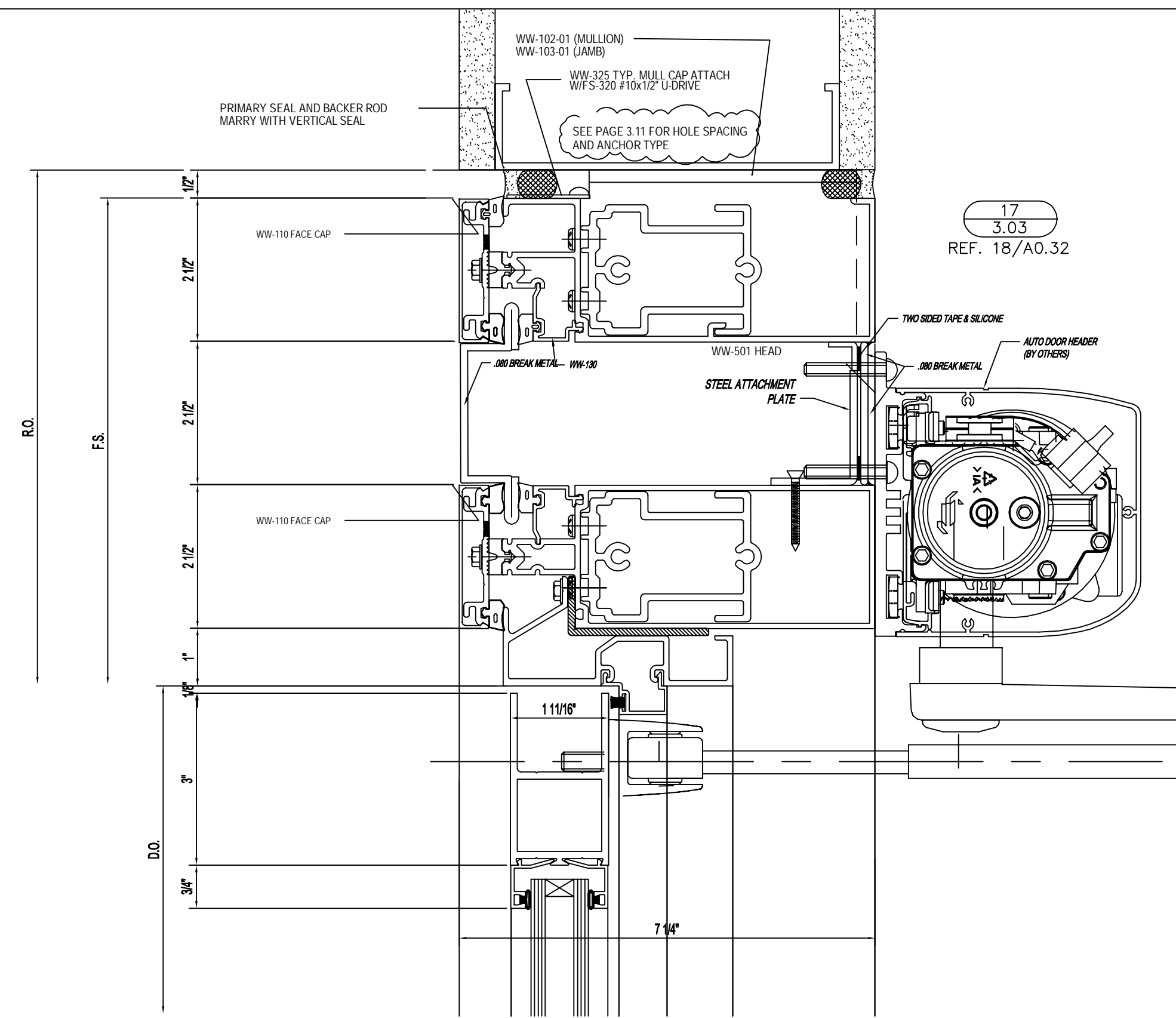
<p>PROJECT: PROJECT NAME AND ADDRESS</p> <p>ARCHITECT: PROJECT NAME AND ADDRESS</p> <p>CUSTOMER: PROJECT NAME AND ADDRESS</p>	<table border="1" style="width: 100%; border-collapse: collapse;"> <tr> <td style="width: 30%;">DRAWN BY:</td> <td style="width: 30%;">CCW</td> <td style="width: 20%;">DATE:</td> <td style="width: 20%;">10/20/10</td> </tr> <tr> <td>CHECKED BY:</td> <td>ST</td> <td>DATE:</td> <td>10/20/10</td> </tr> <tr> <td colspan="4">JOB NO.: FLEMING</td> </tr> <tr> <td colspan="4">SHEET NO.: 2.11</td> </tr> </table>	DRAWN BY:	CCW	DATE:	10/20/10	CHECKED BY:	ST	DATE:	10/20/10	JOB NO.: FLEMING				SHEET NO.: 2.11							
DRAWN BY:	CCW	DATE:	10/20/10																		
CHECKED BY:	ST	DATE:	10/20/10																		
JOB NO.: FLEMING																					
SHEET NO.: 2.11																					
<p>CUSTOMER NAME AND ADDRESS OR PROJECT NAME AND ADDRESS</p>																					
	<table border="1" style="width: 100%; border-collapse: collapse;"> <tr> <td style="width: 30%;">2ND REV. (ENGINEER REVIEW)</td> <td style="width: 30%;">3/17/11</td> <td style="width: 20%;">DATE</td> <td style="width: 20%;">3/17/11</td> </tr> <tr> <td>1ST. REVISION</td> <td></td> <td>DESCRIPTION</td> <td></td> </tr> <tr> <td>1ST. SUBMISSION</td> <td>10/20/10</td> <td>DATE</td> <td>10/20/10</td> </tr> <tr> <td>NO</td> <td></td> <td>DESCRIPTION</td> <td></td> </tr> <tr> <td colspan="4" style="text-align: right;">DRAWING SUBMISSION</td> </tr> </table>	2ND REV. (ENGINEER REVIEW)	3/17/11	DATE	3/17/11	1ST. REVISION		DESCRIPTION		1ST. SUBMISSION	10/20/10	DATE	10/20/10	NO		DESCRIPTION		DRAWING SUBMISSION			
2ND REV. (ENGINEER REVIEW)	3/17/11	DATE	3/17/11																		
1ST. REVISION		DESCRIPTION																			
1ST. SUBMISSION	10/20/10	DATE	10/20/10																		
NO		DESCRIPTION																			
DRAWING SUBMISSION																					



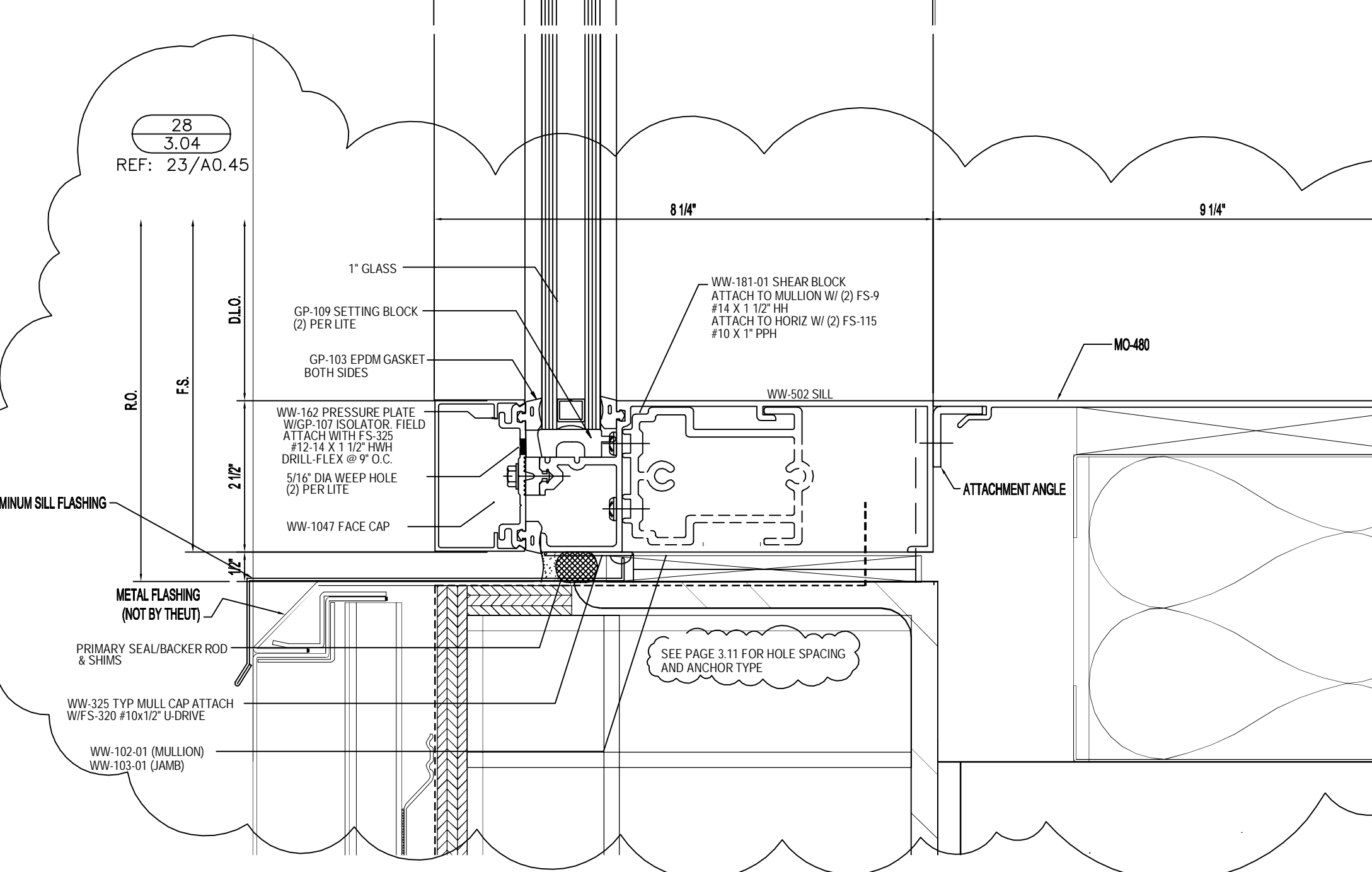
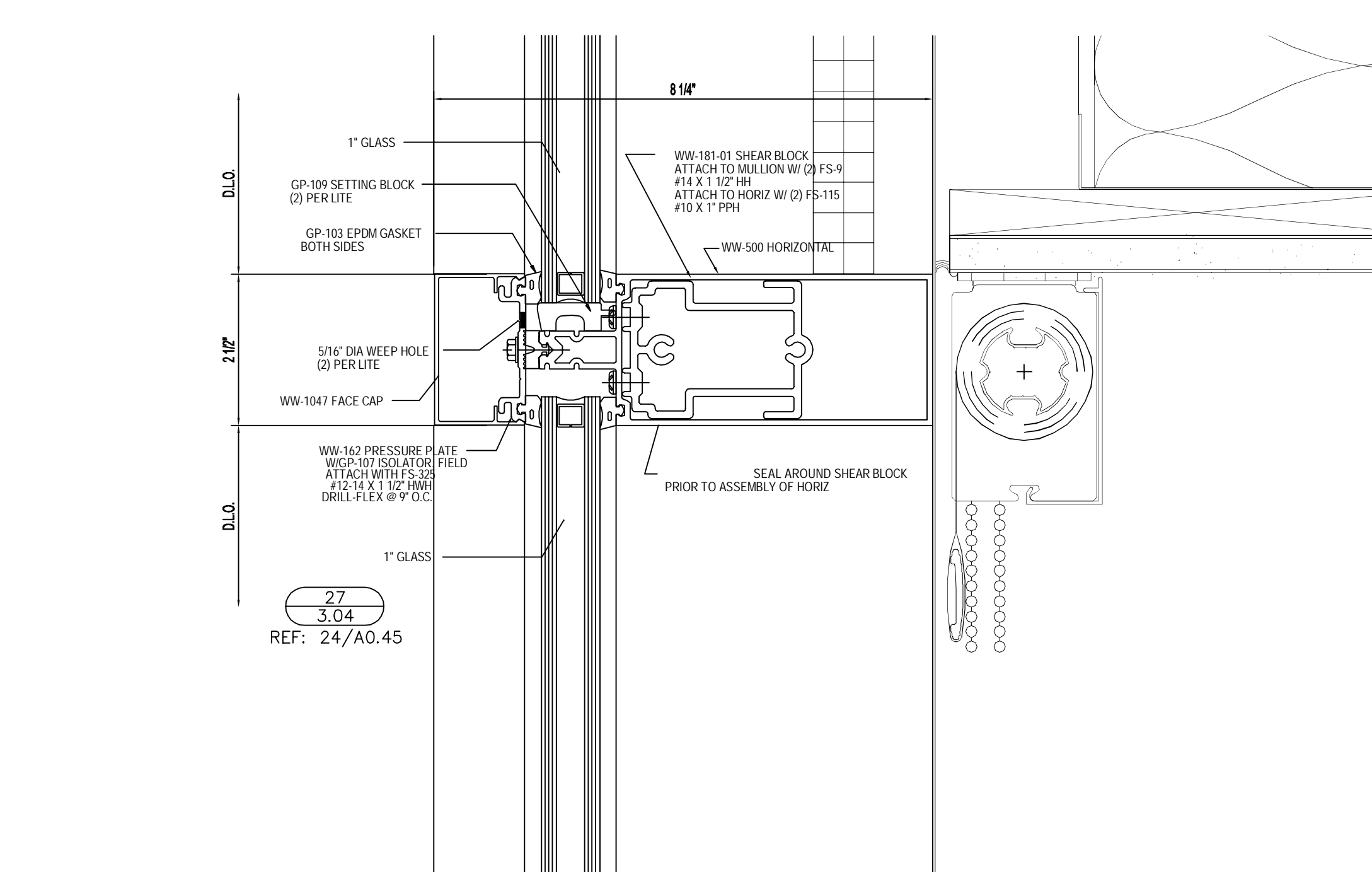
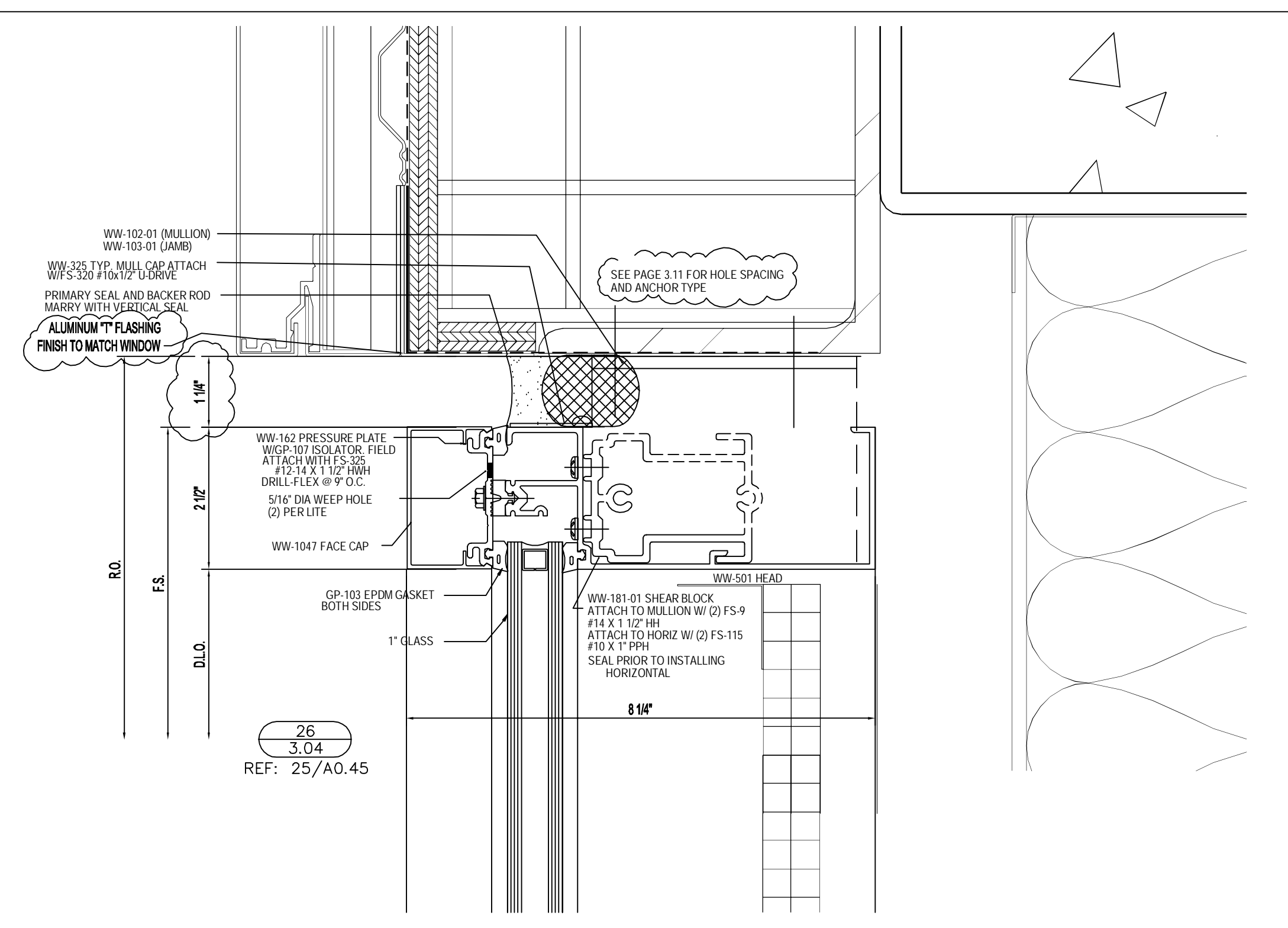
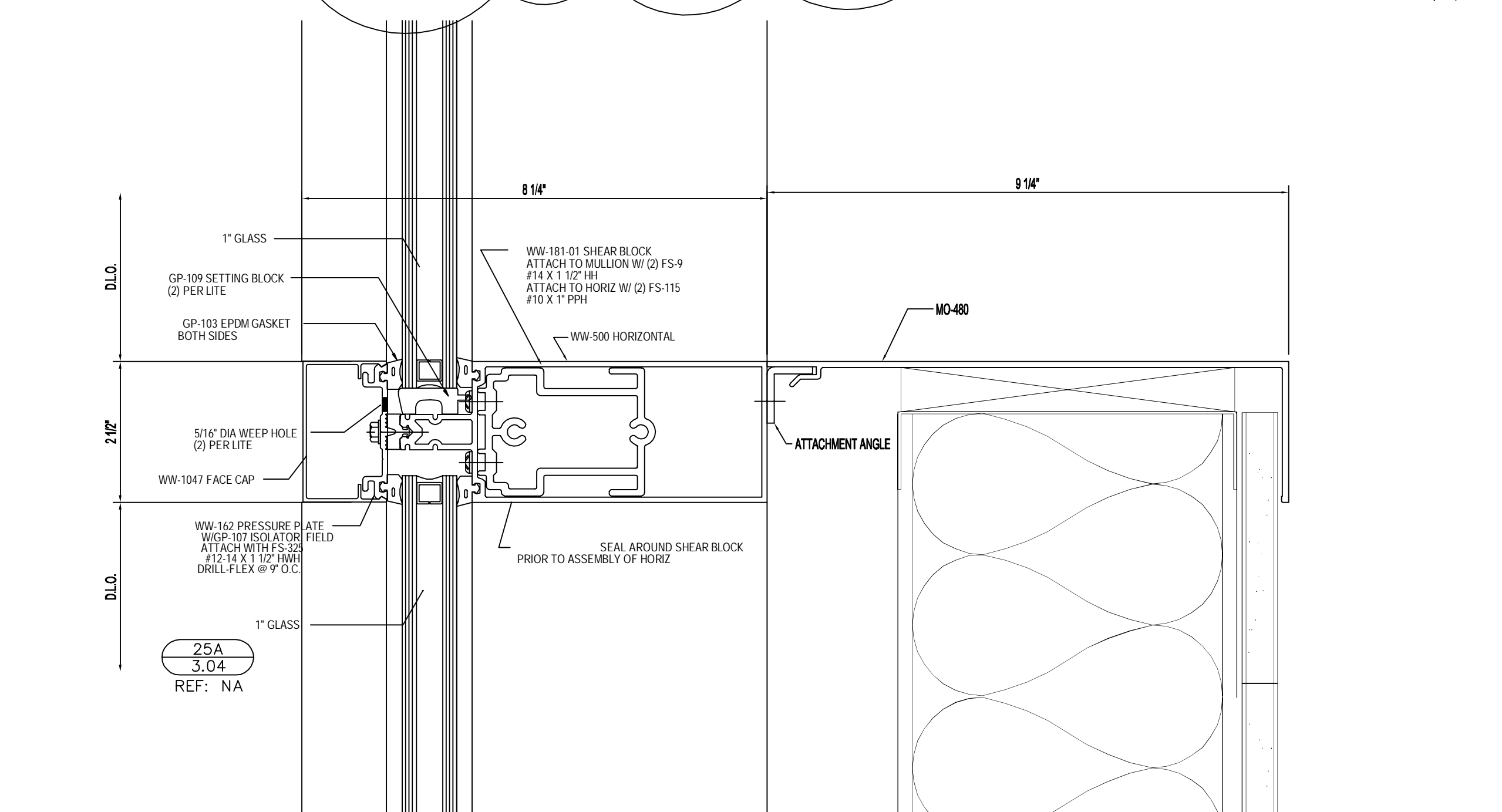
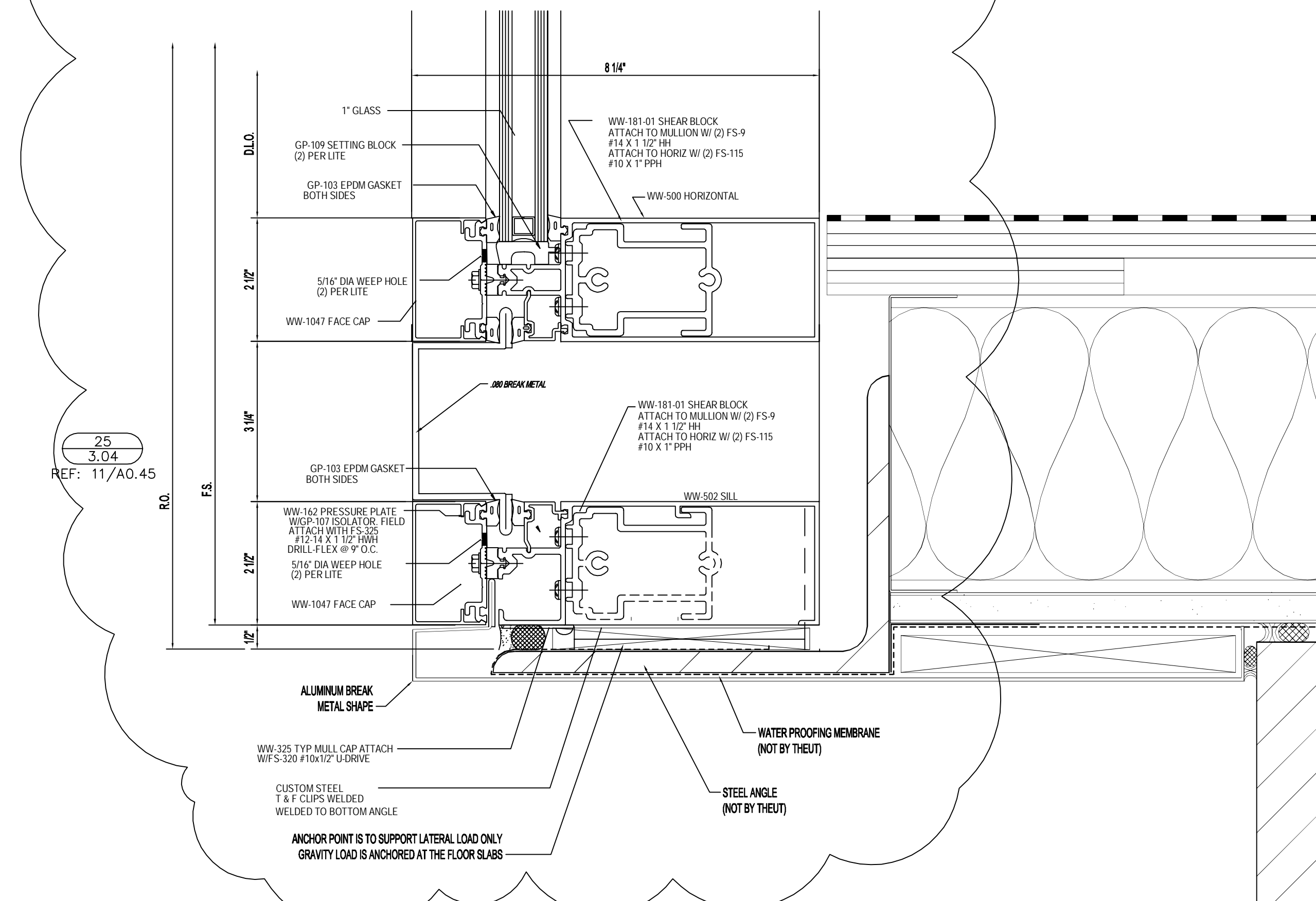
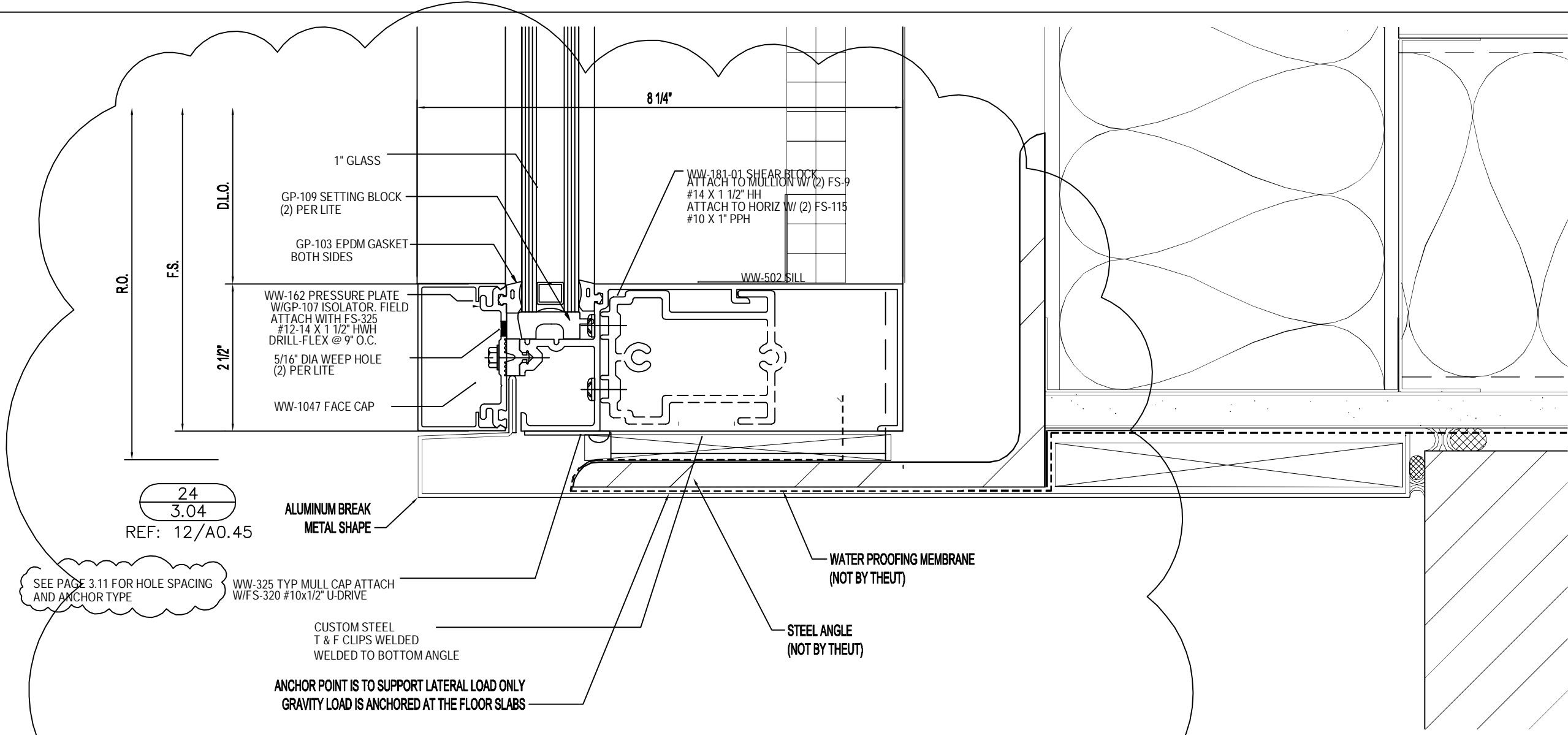
PROJECT:		DRAWN BY:		DATE:	
PROJECT NAME AND ADDRESS		CCW		10/20/10	
CUSTOMER NAME AND ADDRESS		CHECKED BY:		DATE:	
		ST		10/20/10	
ARCHITECT:		JOB NO.:		DESCRIPTION	
CUSTOMER:		FLEMING		NO	
PROJECT NAME AND ADDRESS		SHEET NO.:		DRAWING SUBMISSION	
		3.01		DATE	
				2ND REV. (ENGINEER REVIEW) 3/17/11	
				1ST. REVISION 2/11/11	
				1ST. SUBMISSION 10/20/10	



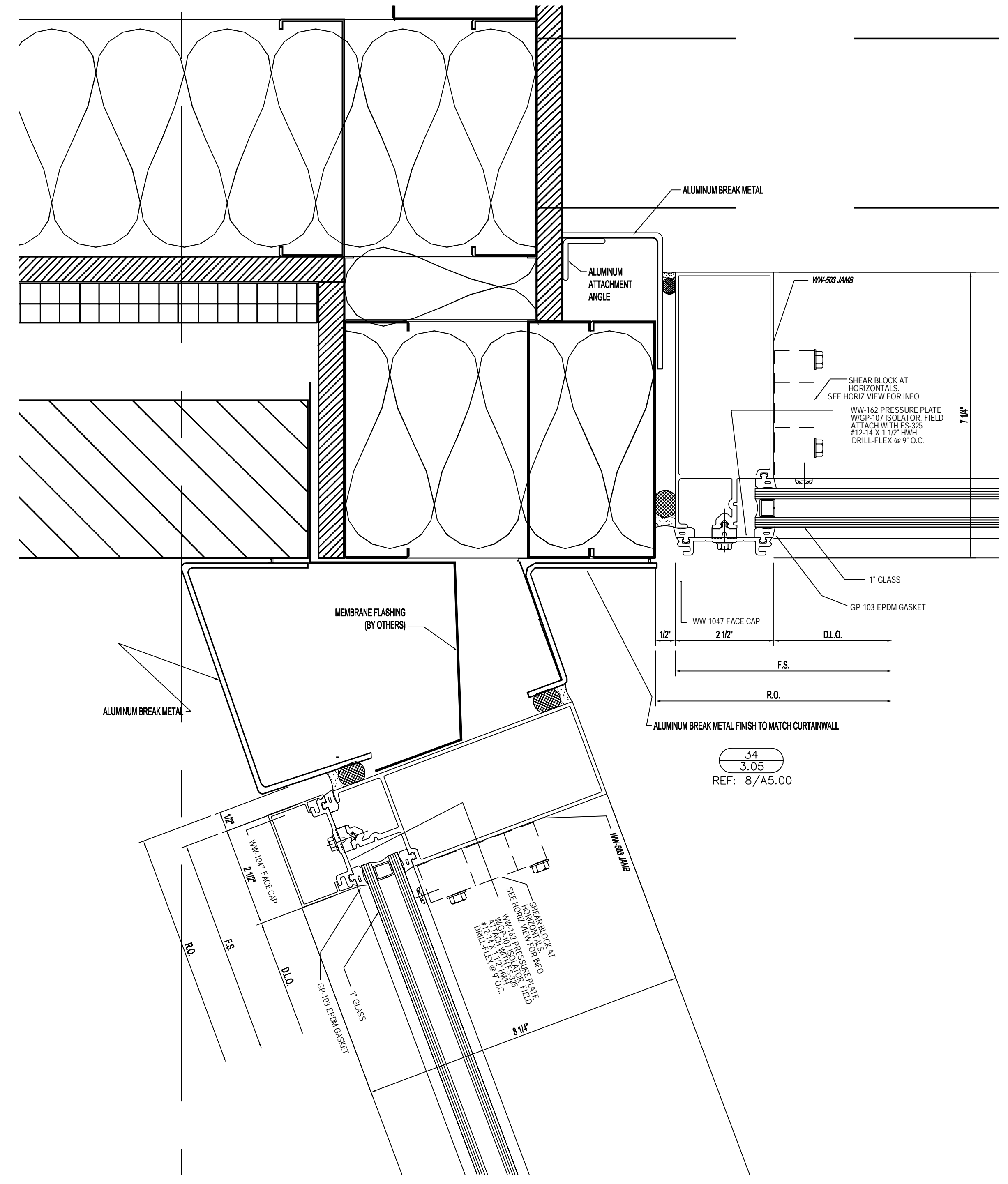
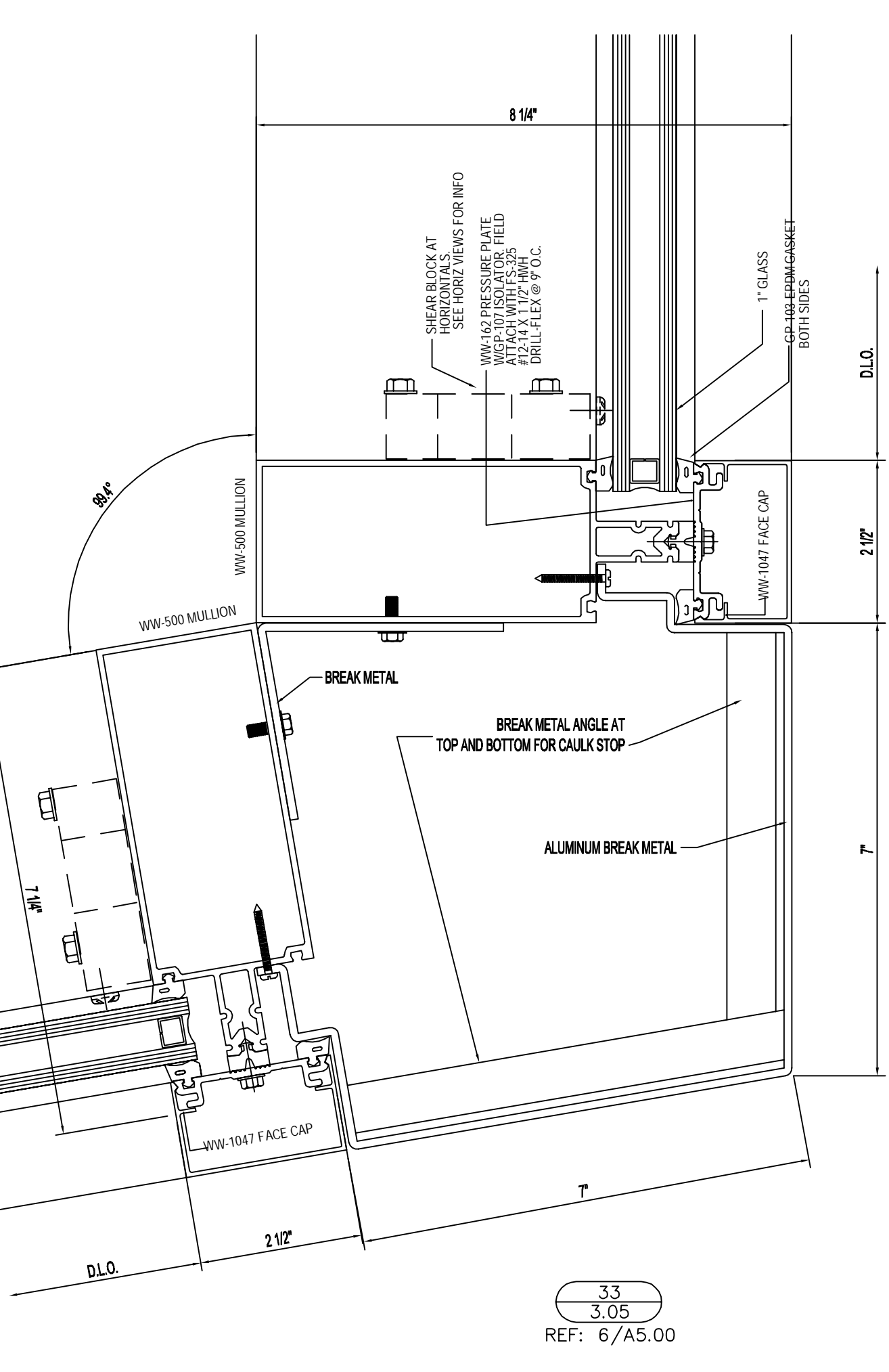
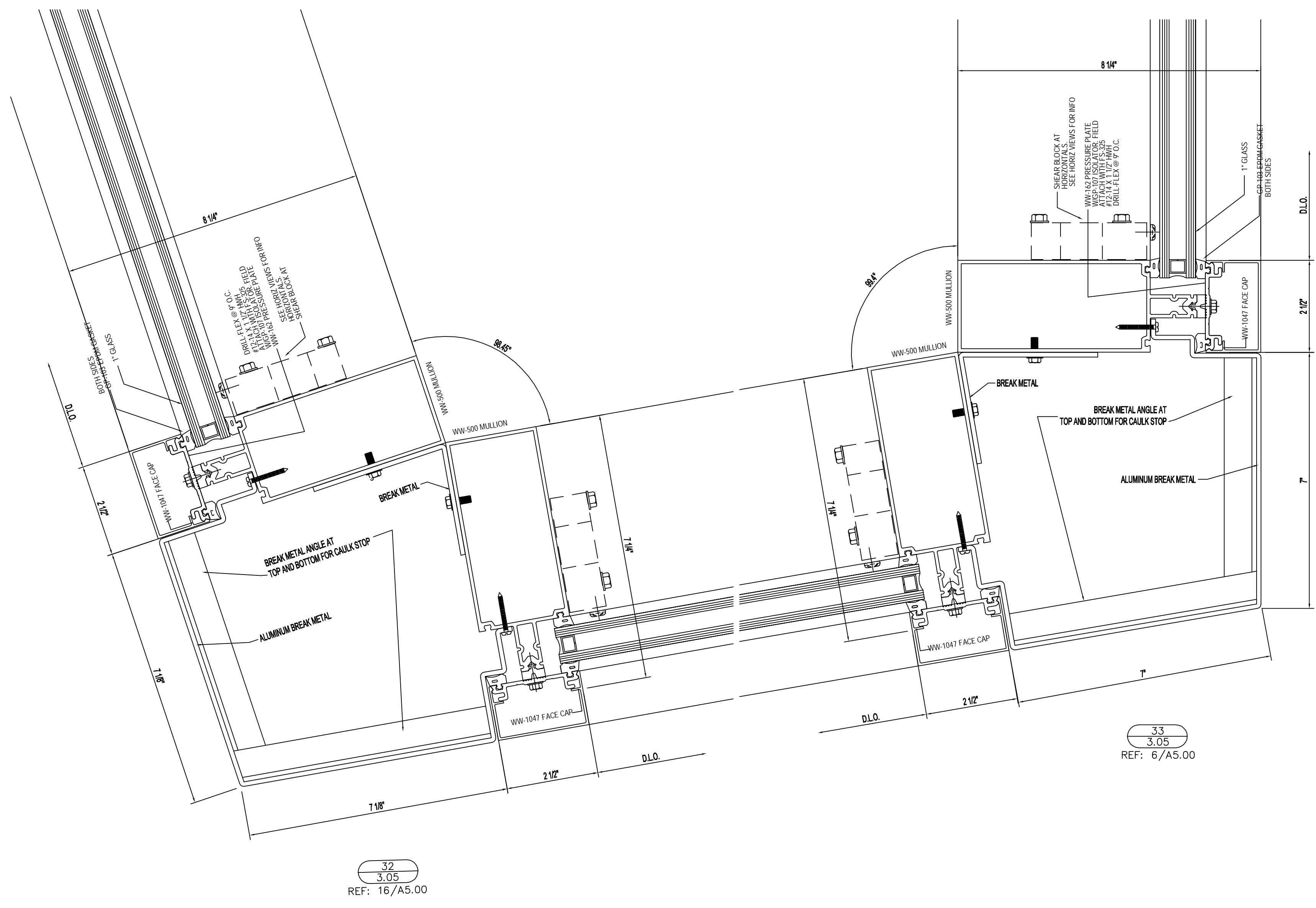
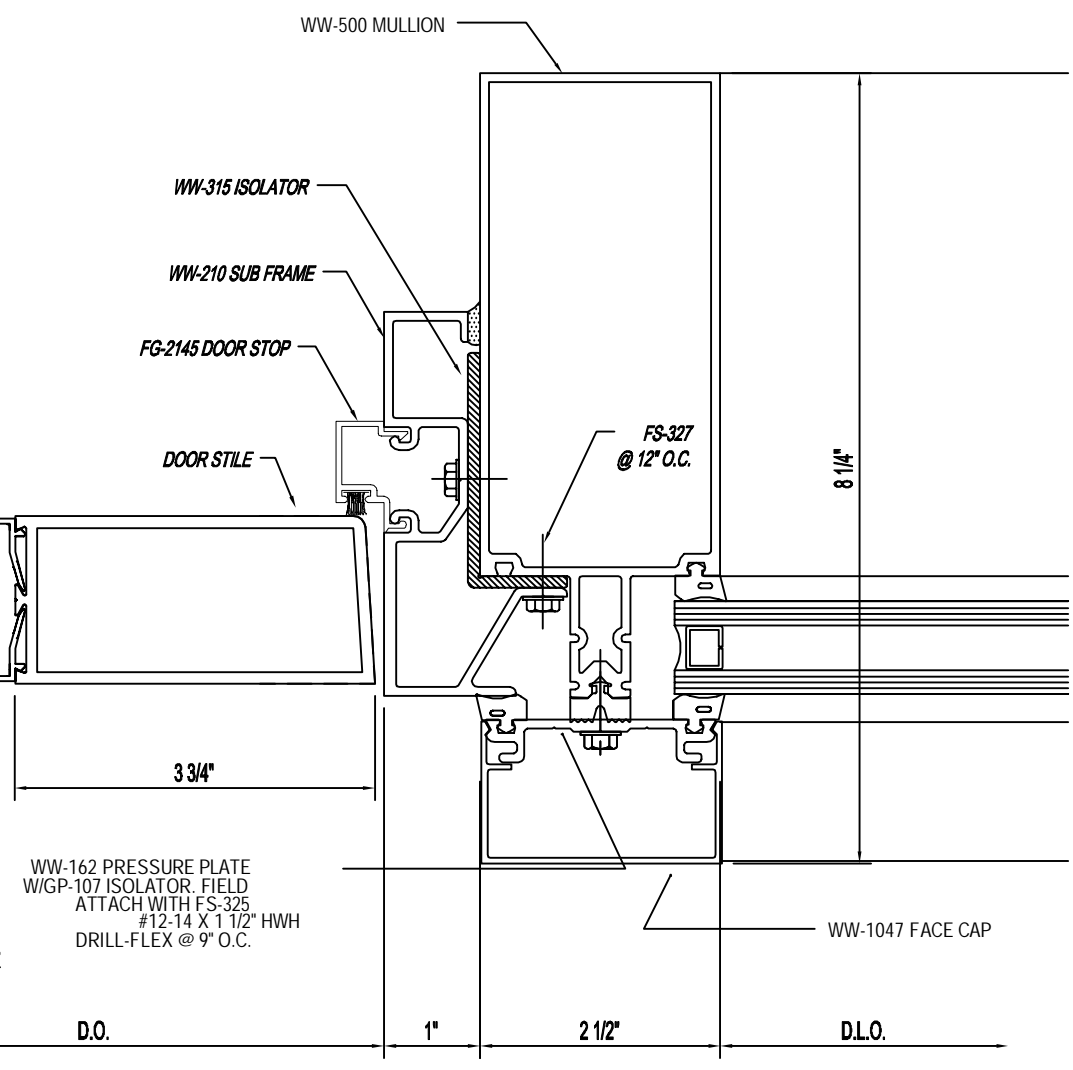
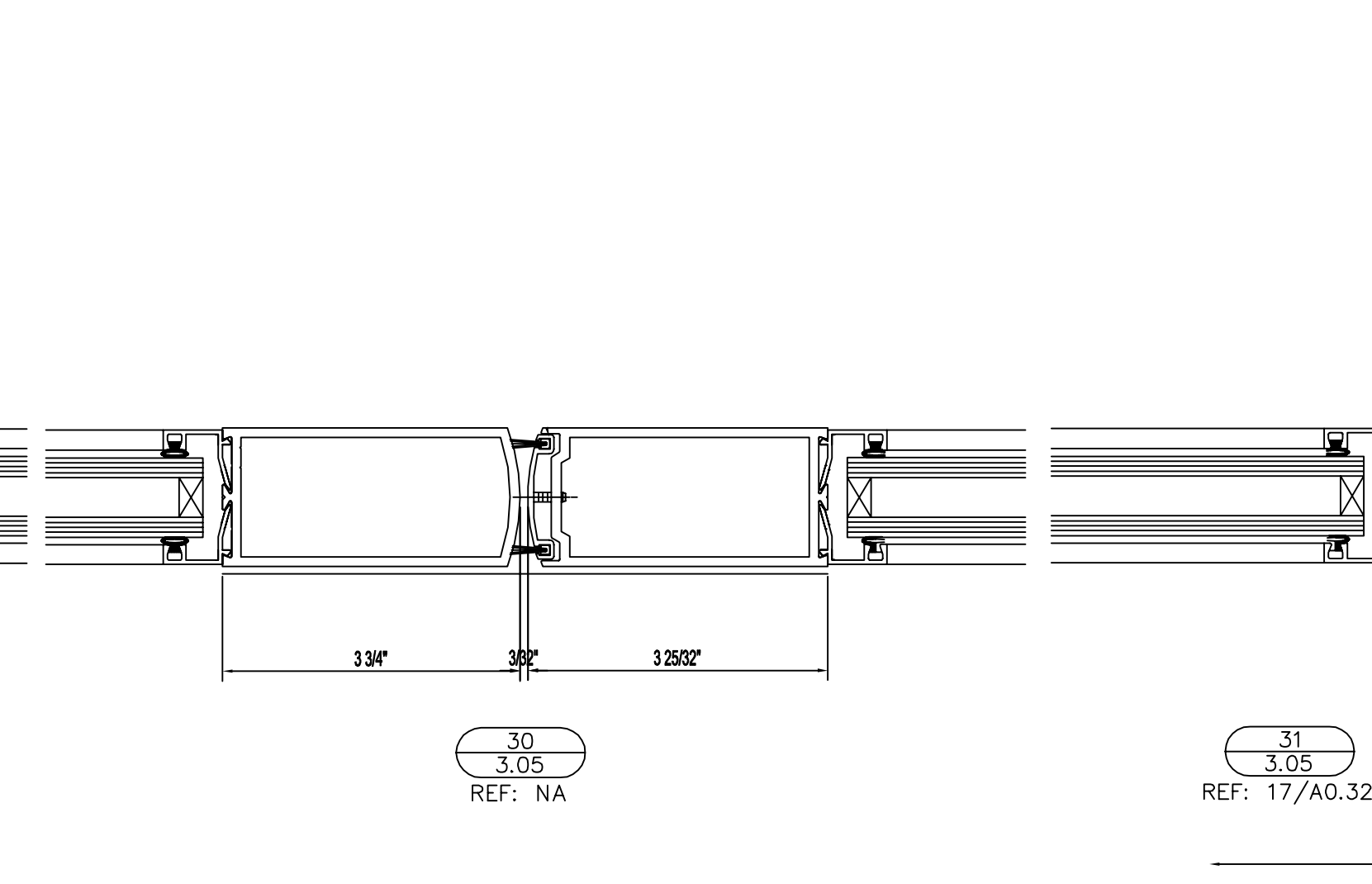
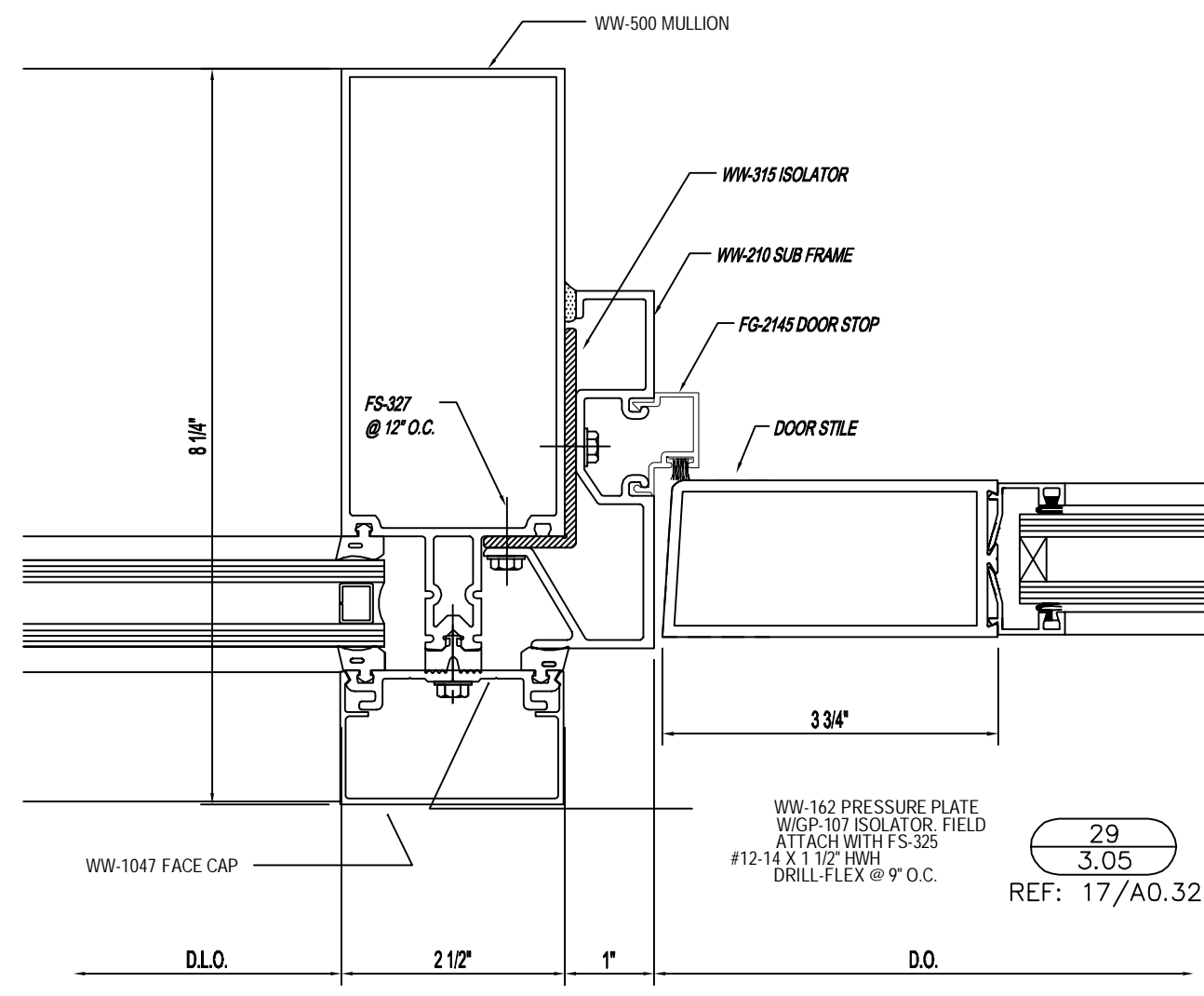
PROJECT:		CUSTOMER NAME AND ADDRESS	
DRAWN BY: CCW		DATE: 10/20/10	
CHECKED BY: ST		DATE: 10/20/10	
JOB NO.:		FLEMING	
SHEET NO.:		3.02	
ARCHITECT:		CUSTOMER:	
2ND REV. (ENGINEER REVIEW)		3/17/11	
1ST. REVISION		2/1/11	
1ST. SUBMISSION		10/20/10	
NO		DESCRIPTION	
NO		DRAWING SUBMISSION	
DATE		DATE	



PROJECT:		CUSTOMER NAME AND ADDRESS	
DRAWN BY:		PROJECT NAME AND ADDRESS	
CCW	10/20/10	DATE	
CHECKED BY:	DATE:	2ND REV. (ENGINEER REVIEW)	
ST	10/20/10	3/17/11	
JOB NO.:		1ST. REVISION	
FLEMING		2/11/11	
SHEET NO.:		1ST. SUBMISSION	
3.03		10/20/10	
		NO	
		DESCRIPTION	
		DRAWING SUBMISSION	
		DATE	



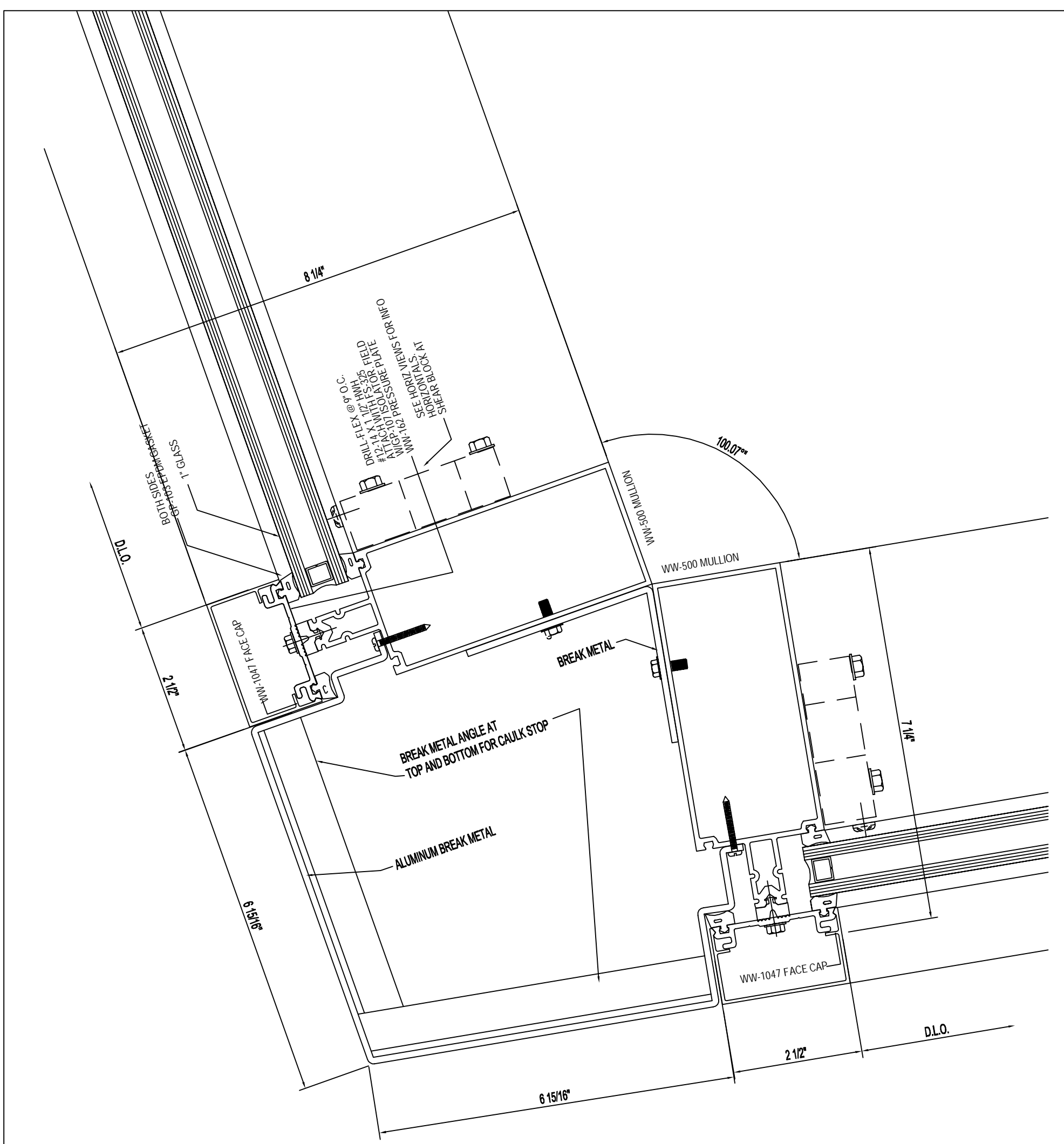
PROJECT:		PROJECT NAME AND ADDRESS	
DRAWN BY:		CUSTOMER NAME AND ADDRESS	
CCW	DATE:	CUSTOMER	
ST	10/20/10	ARCHITECT:	
JOB NO.:	10/20/10	DATE:	
FLEMING		DESCRIPTION	
SHEET NO.:		DRAWING SUBMISSION	
3.04		2ND REV. (ENGINEER REVIEW)	3/17/11
		1ST. REVISION	2/1/11
		1ST. SUBMISSION	10/20/10
		NO	DATE



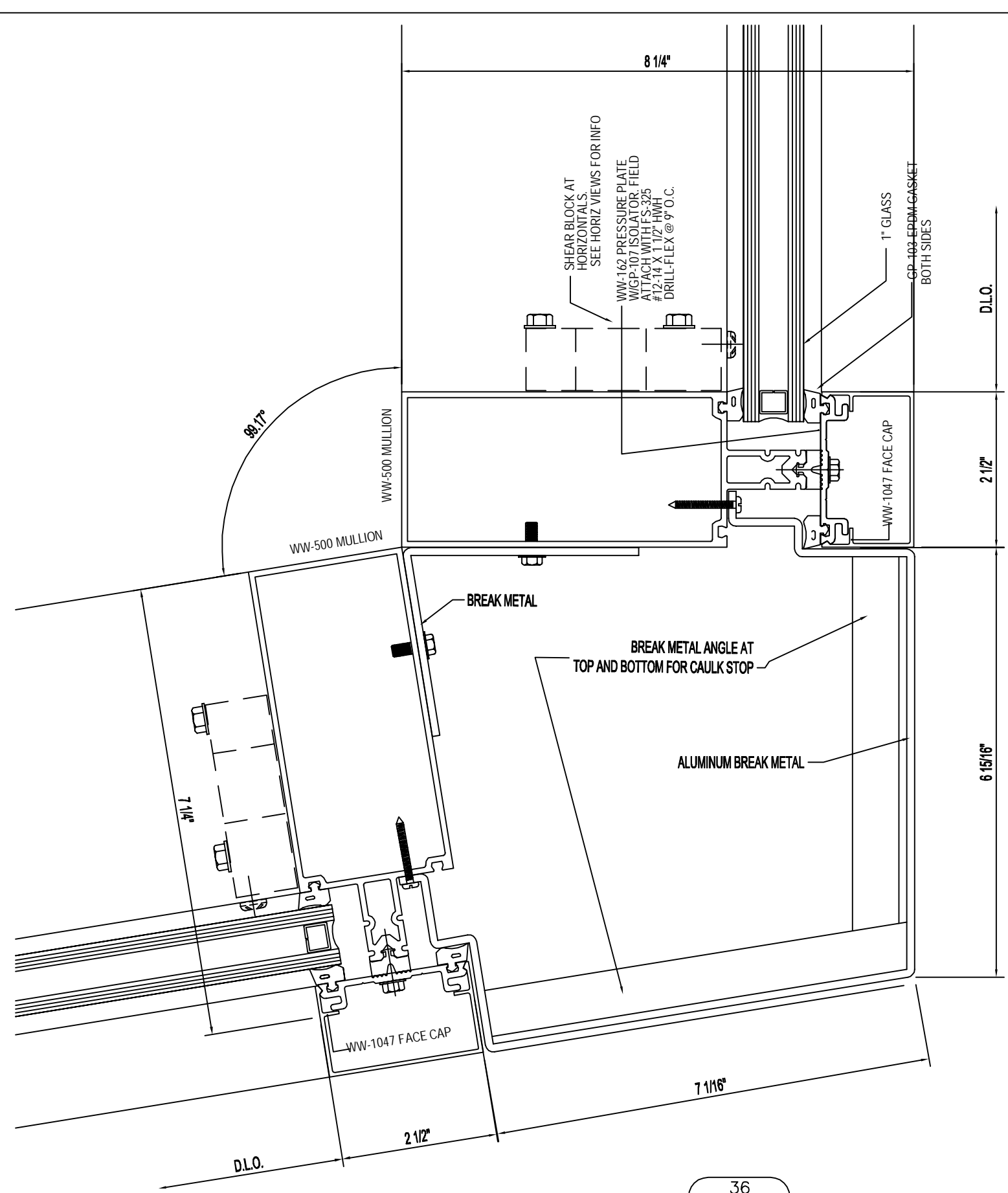
NO	DESCRIPTION	DATE
1	1ST. SUBMISSION	10/20/10
2	1ST. REVISION	2/1/11
3	2ND REV. (ENGINEER REVIEW)	3/17/11

CUSTOMER NAME AND ADDRESS OR PROJECT NAME AND ADDRESS

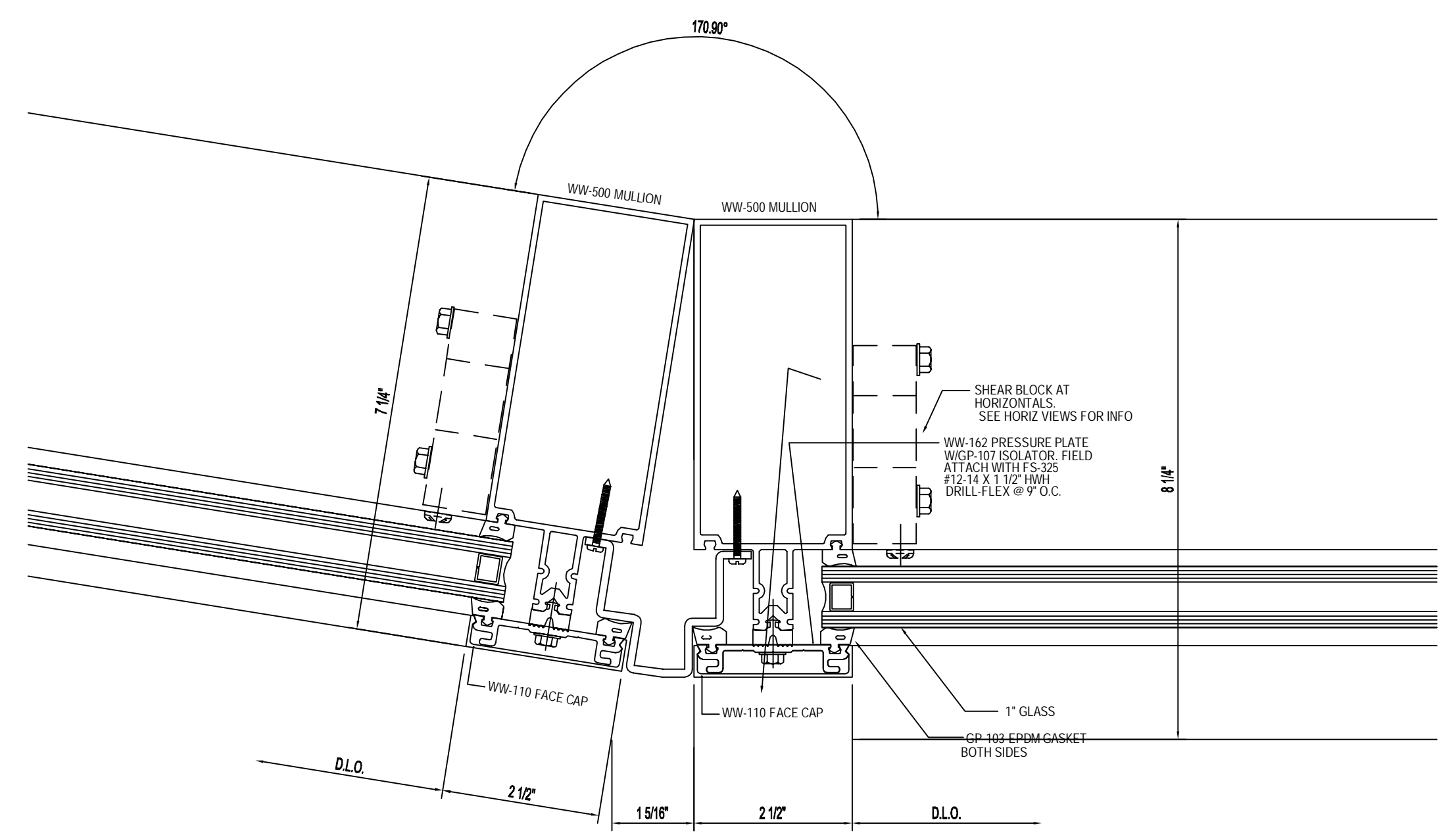
PROJECT:	PROJECT NAME AND ADDRESS	
DRAWN BY:	CCW	DATE: 10/20/10
CHECKED BY:	ST	DATE: 10/20/10
JOB NO.:	FLEMING	
SHEET NO.:	3.05	
ARCHITECT:	CUSTOMER:	
DRAWING SUBMISSION		



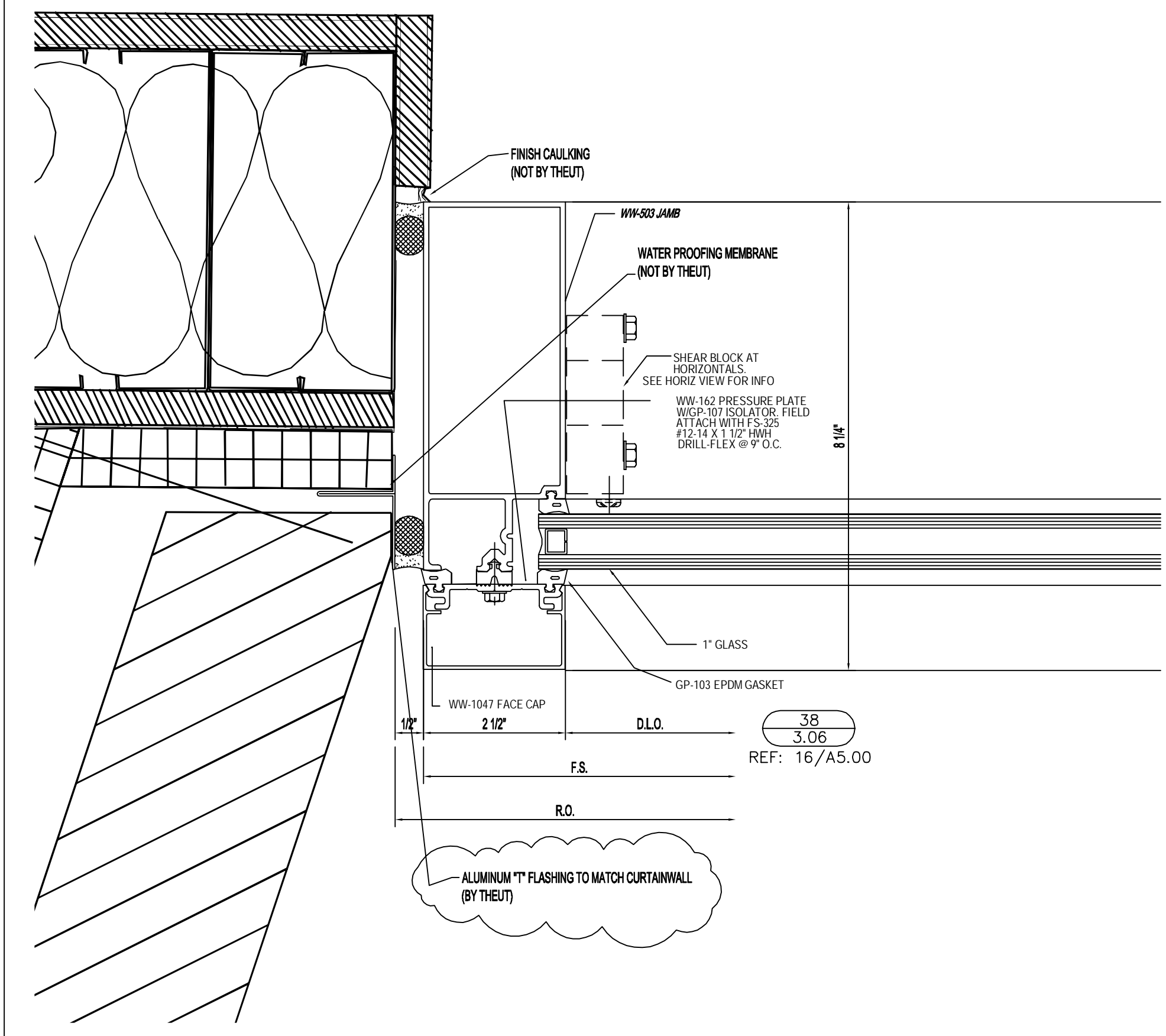
35
3.06
REF: NA



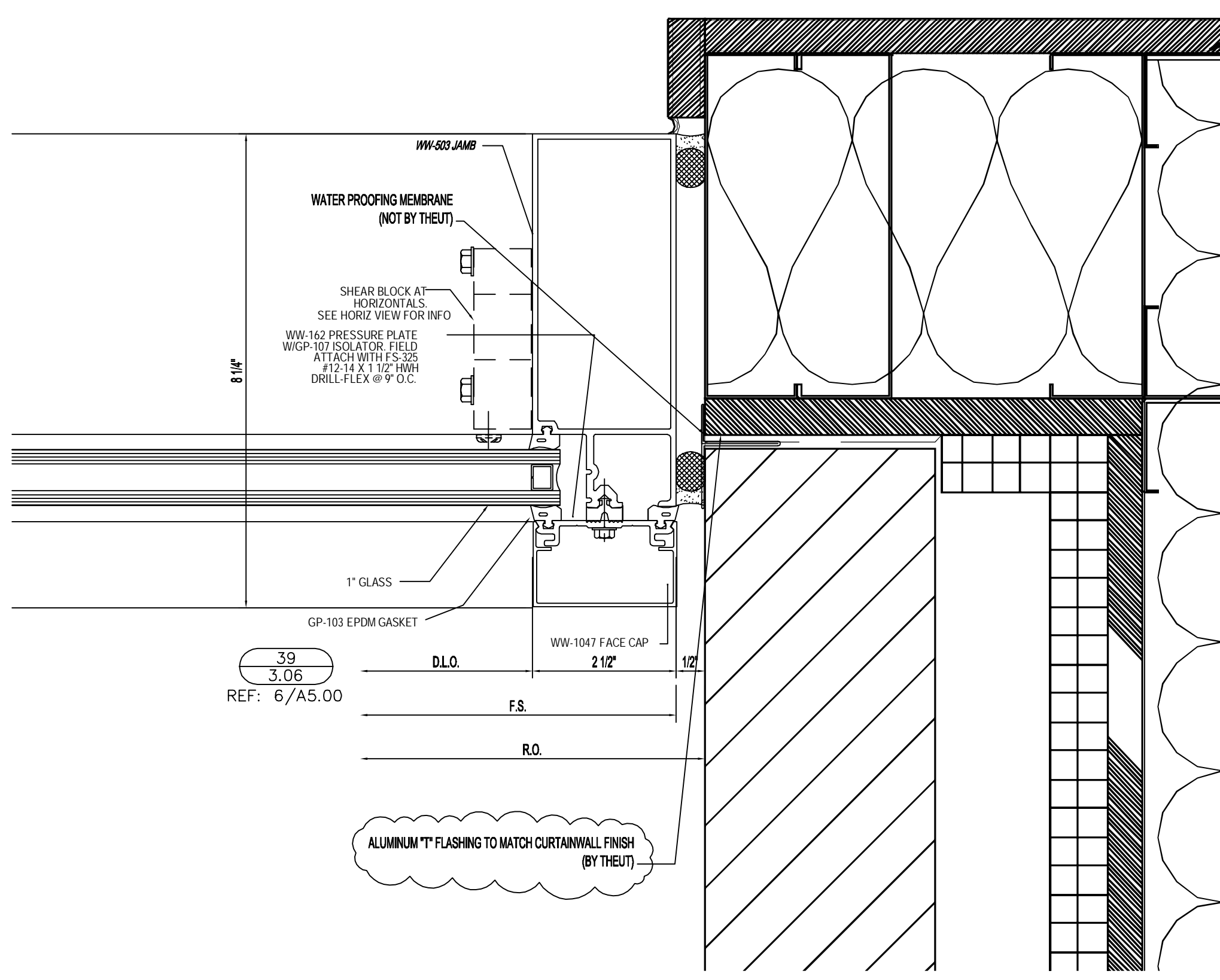
36
3.06
REF: 18/A5.00



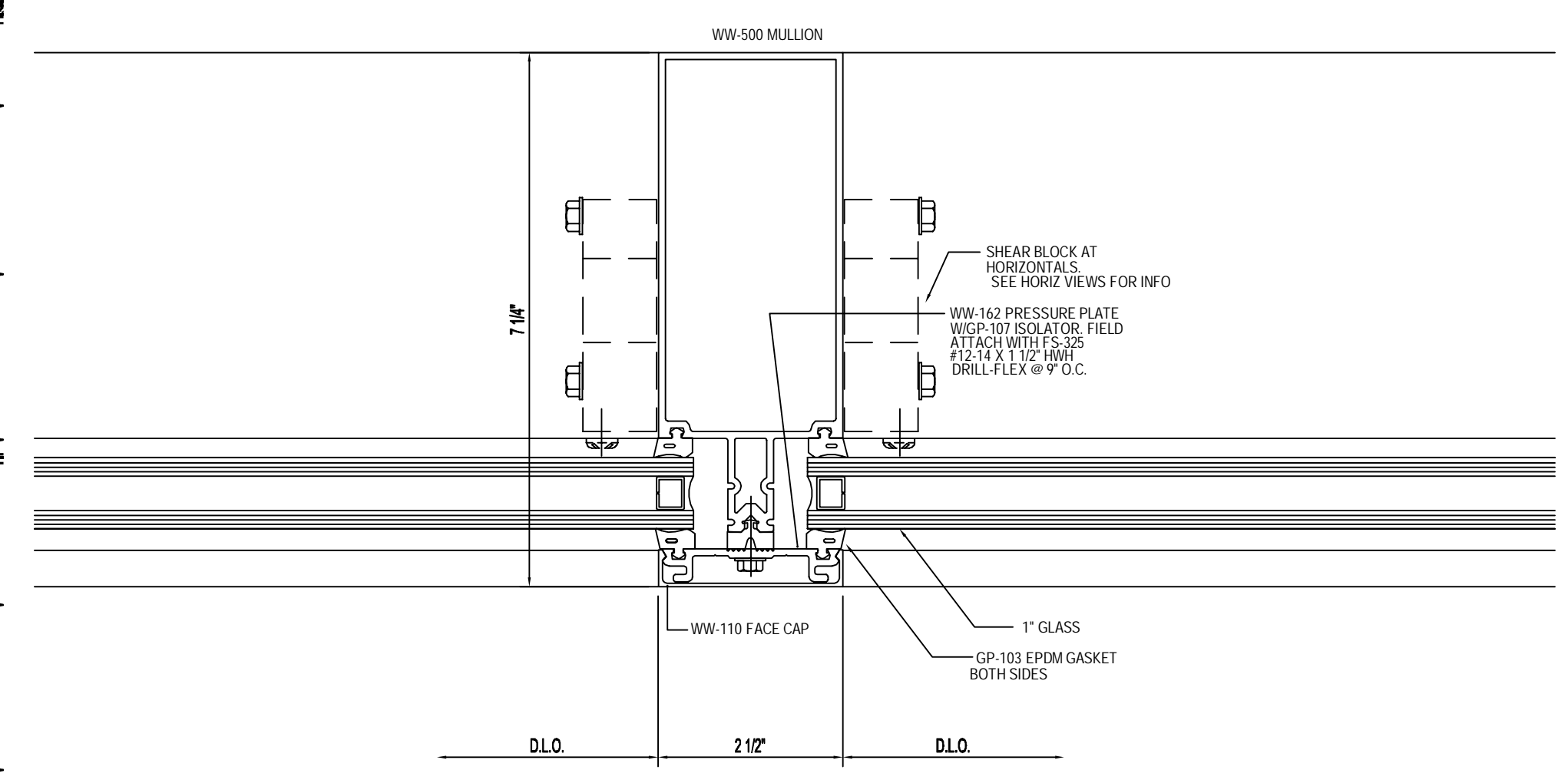
37
3.06
REF: NA



38
3.06
REF: 16/A5.00



39
3.06
REF: 6/A5.00



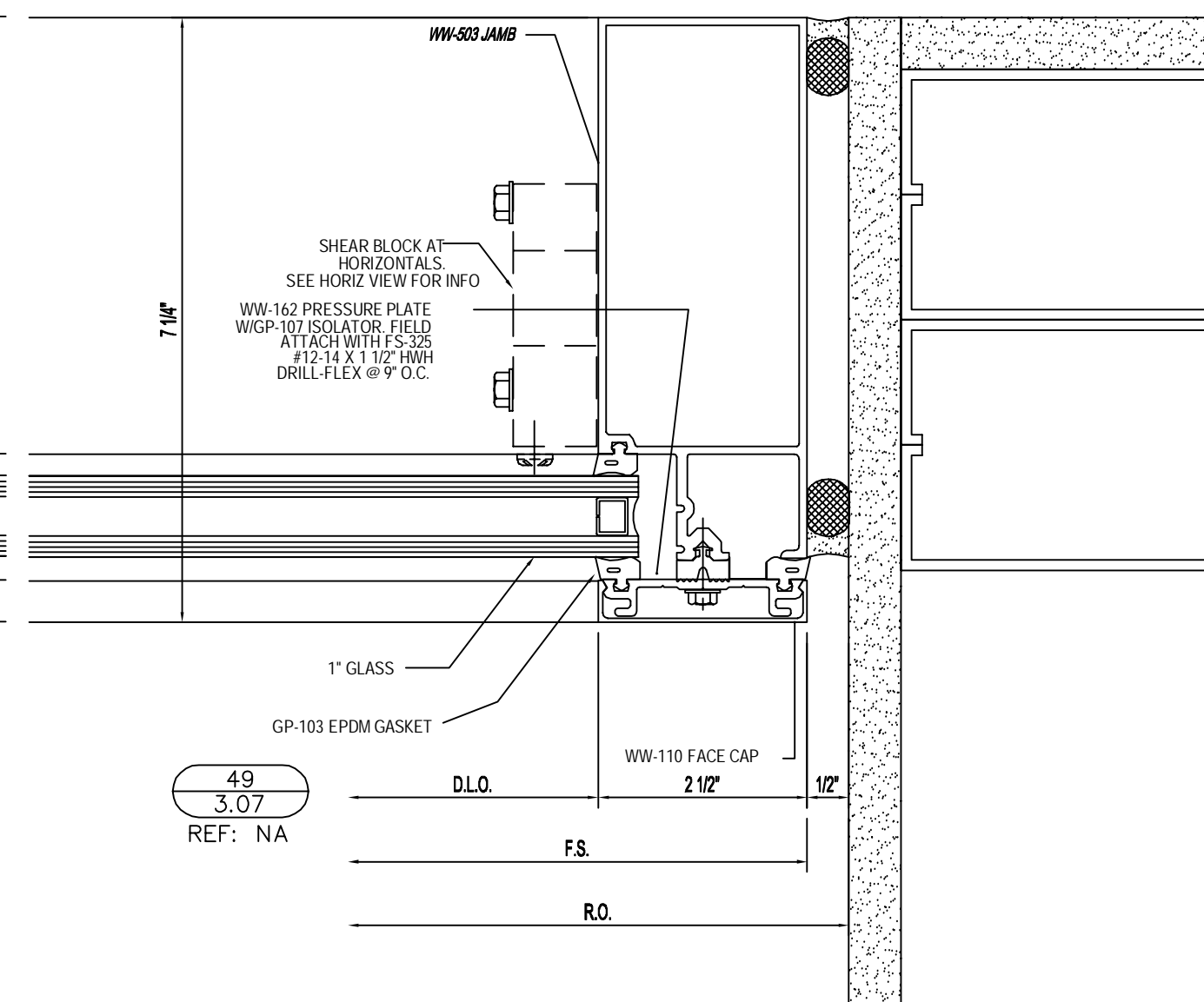
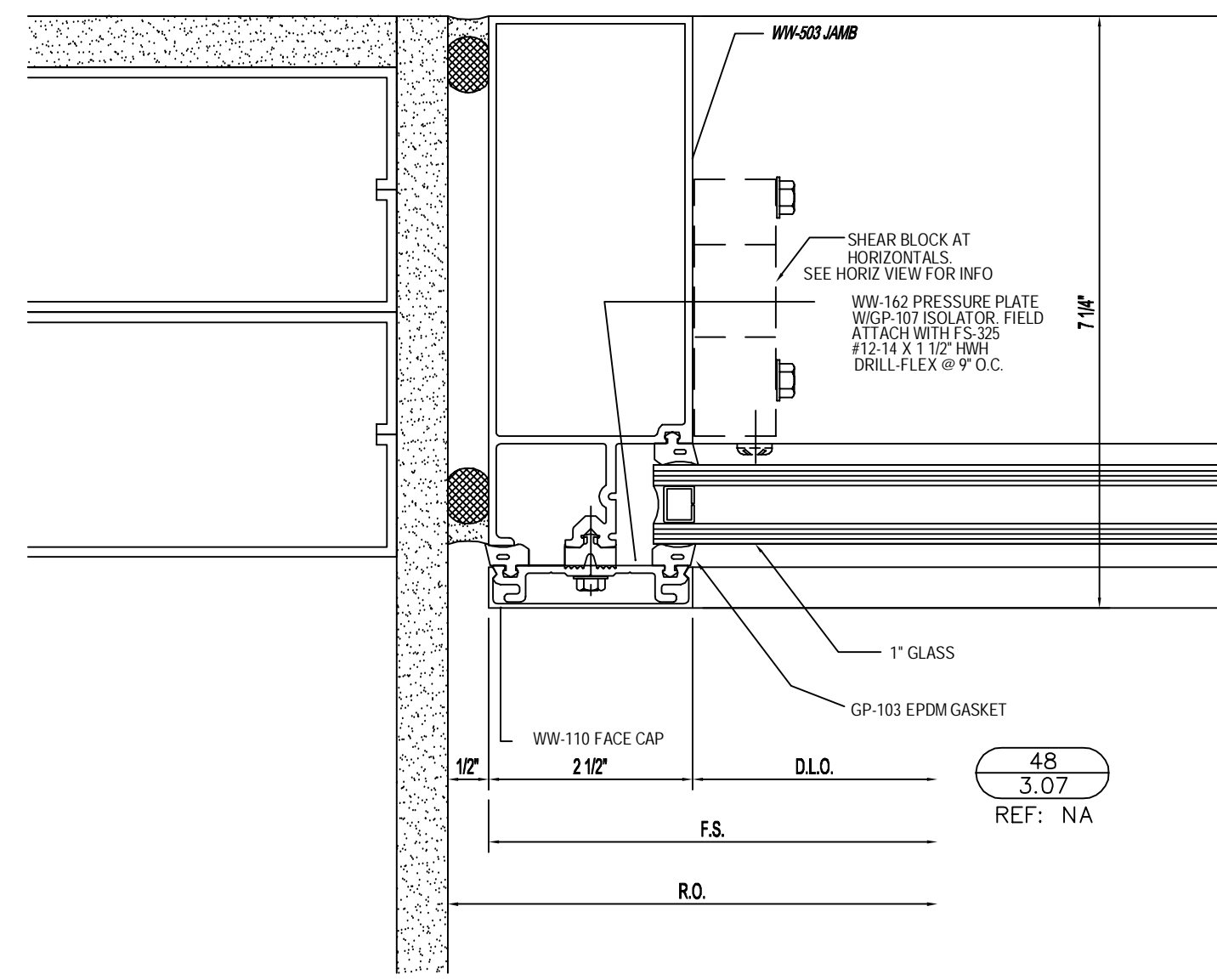
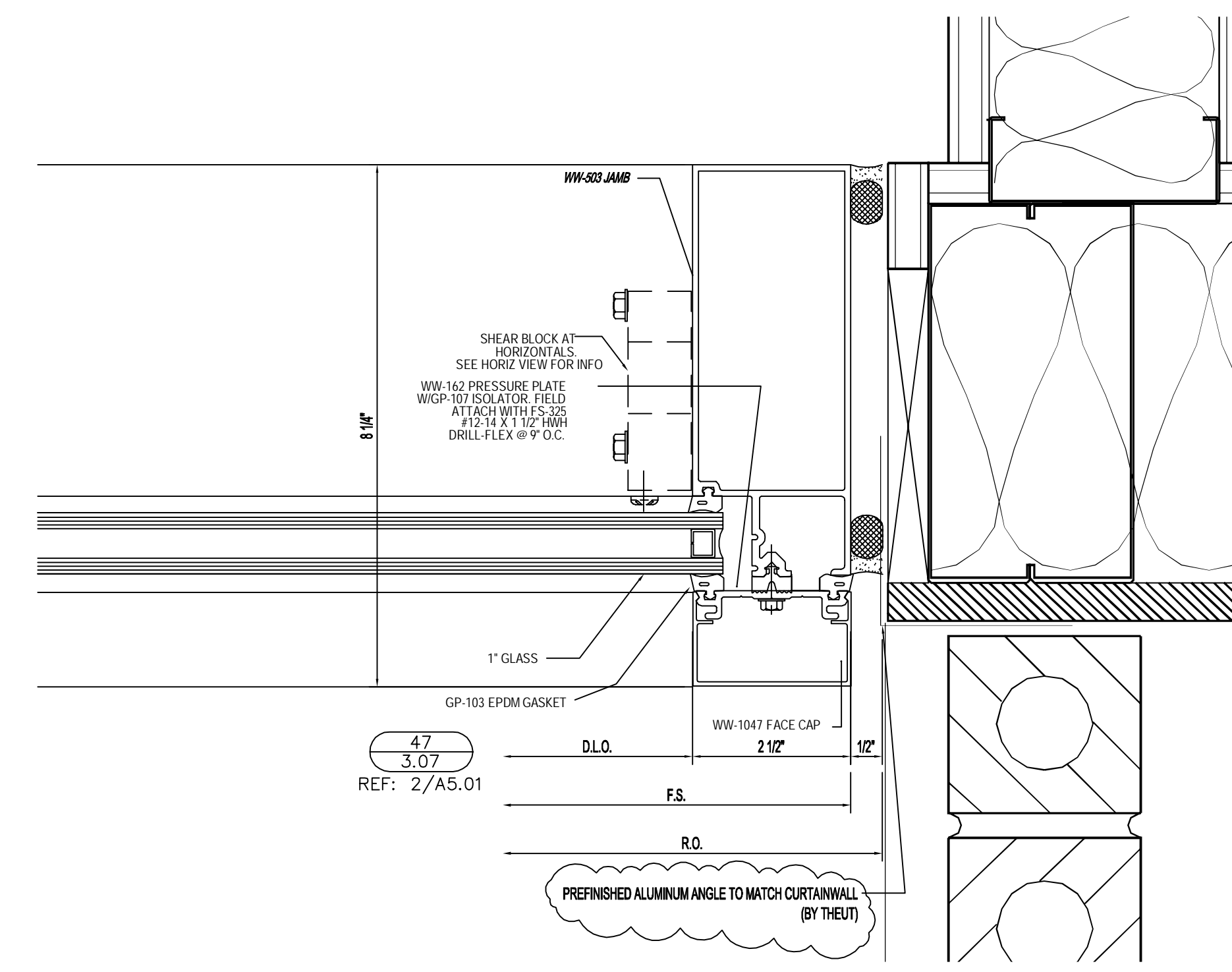
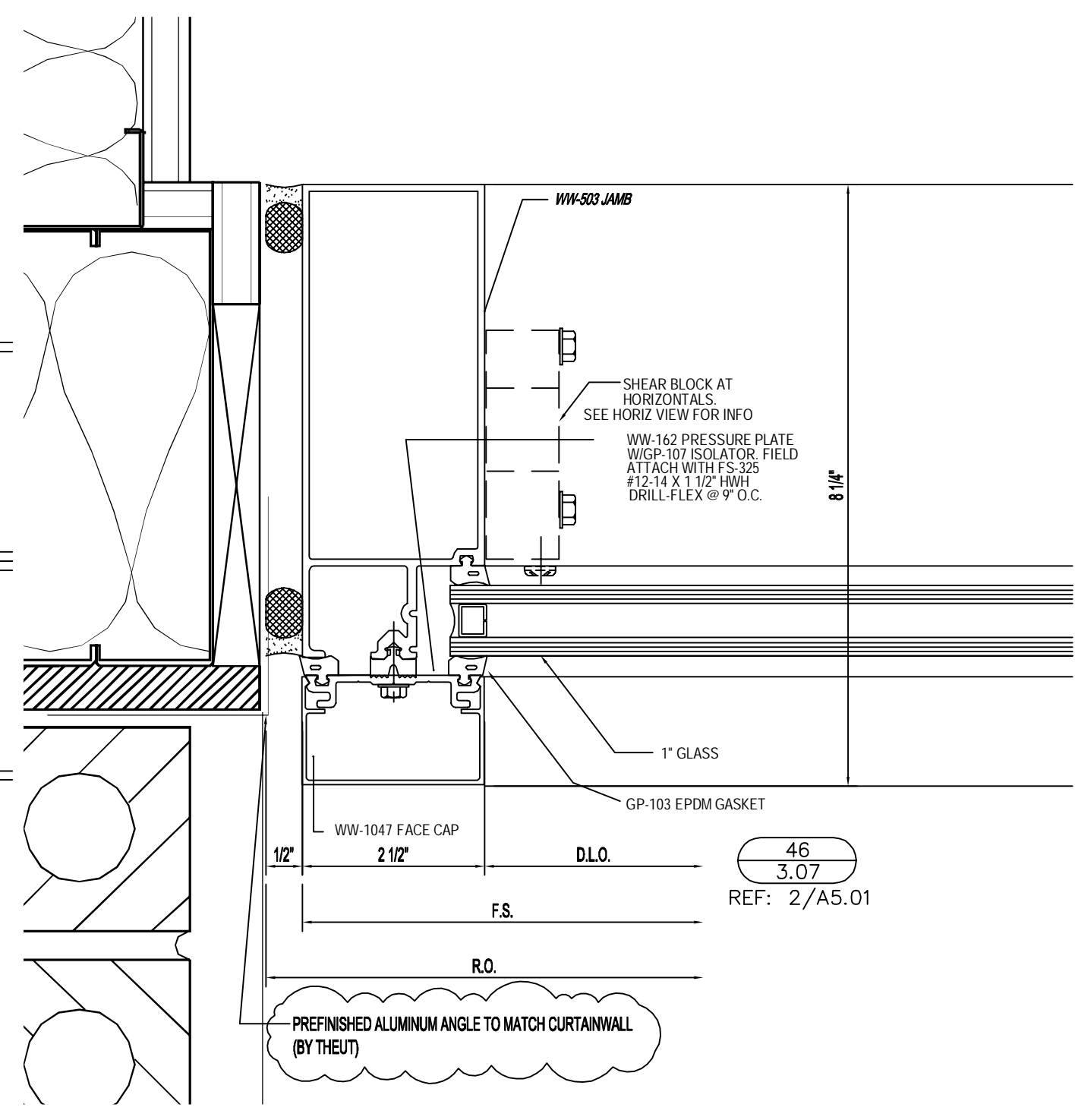
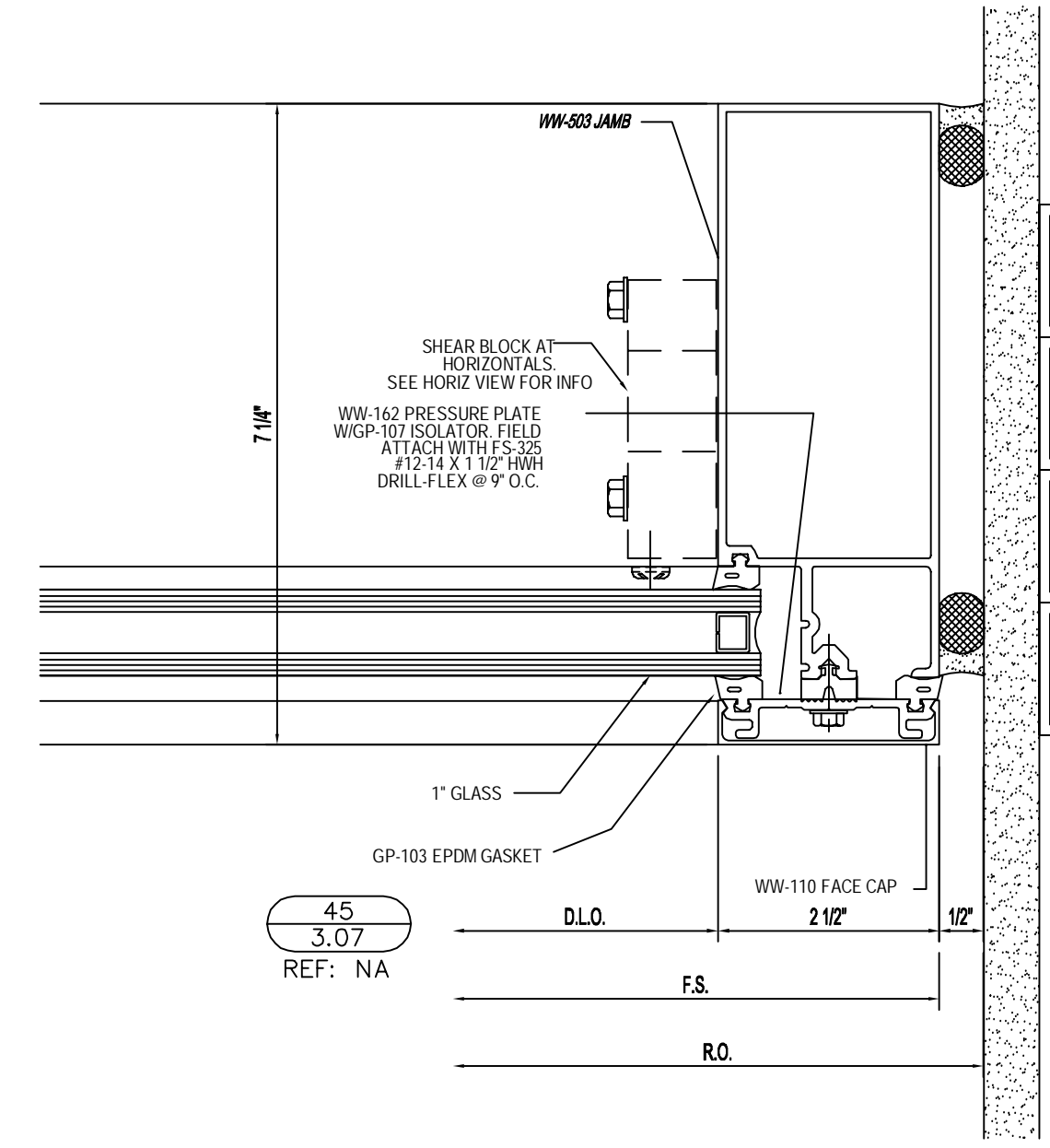
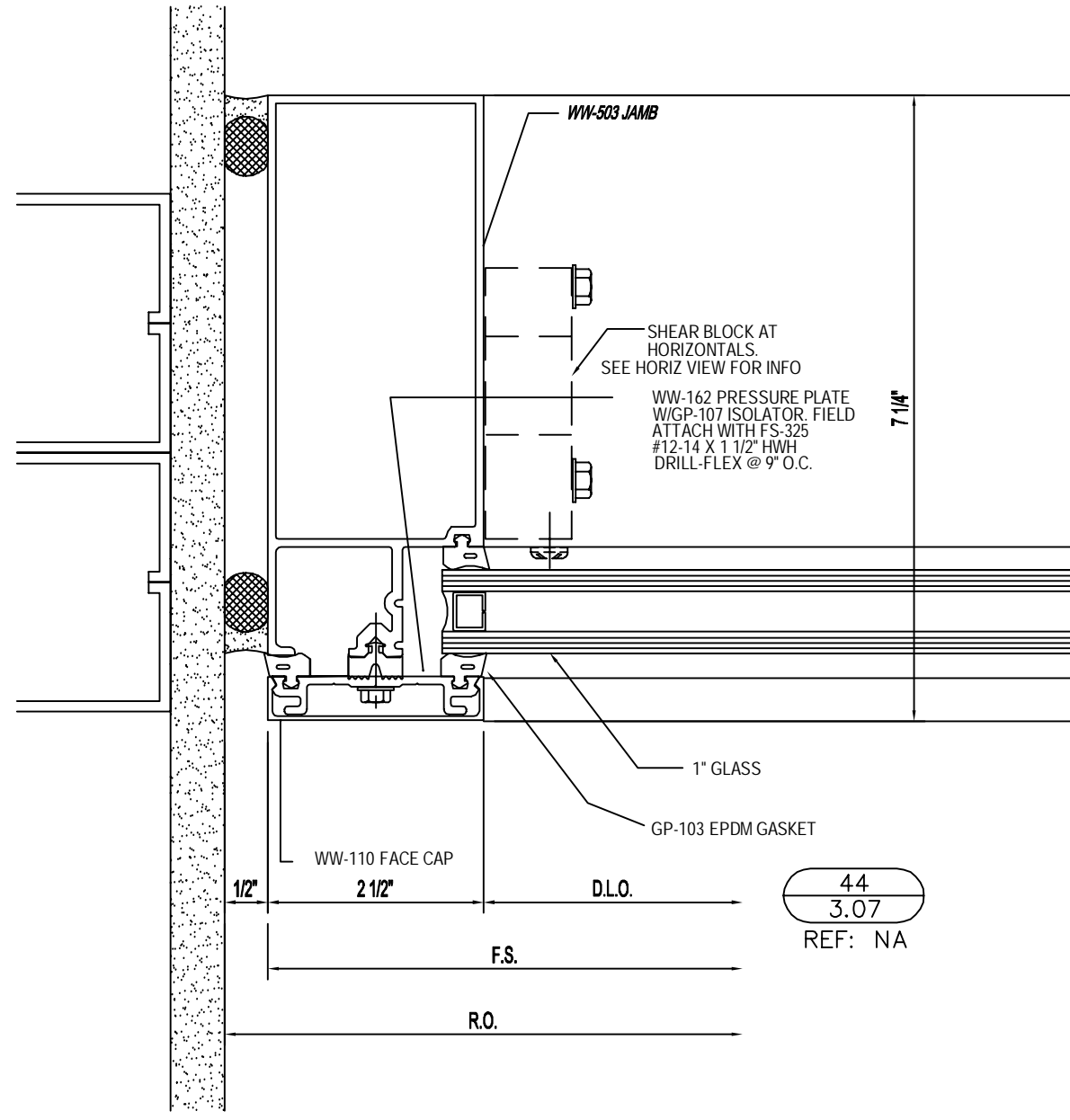
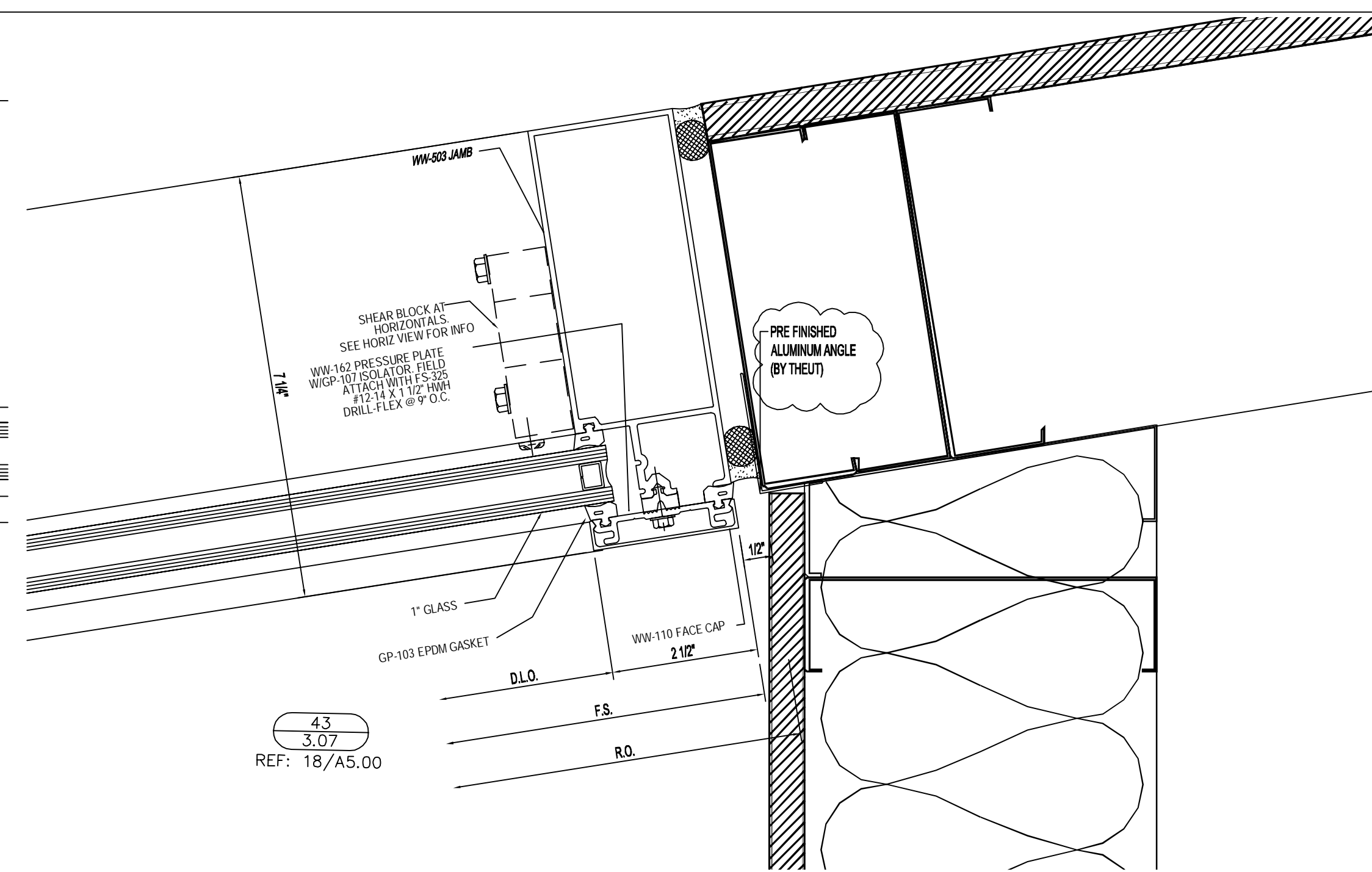
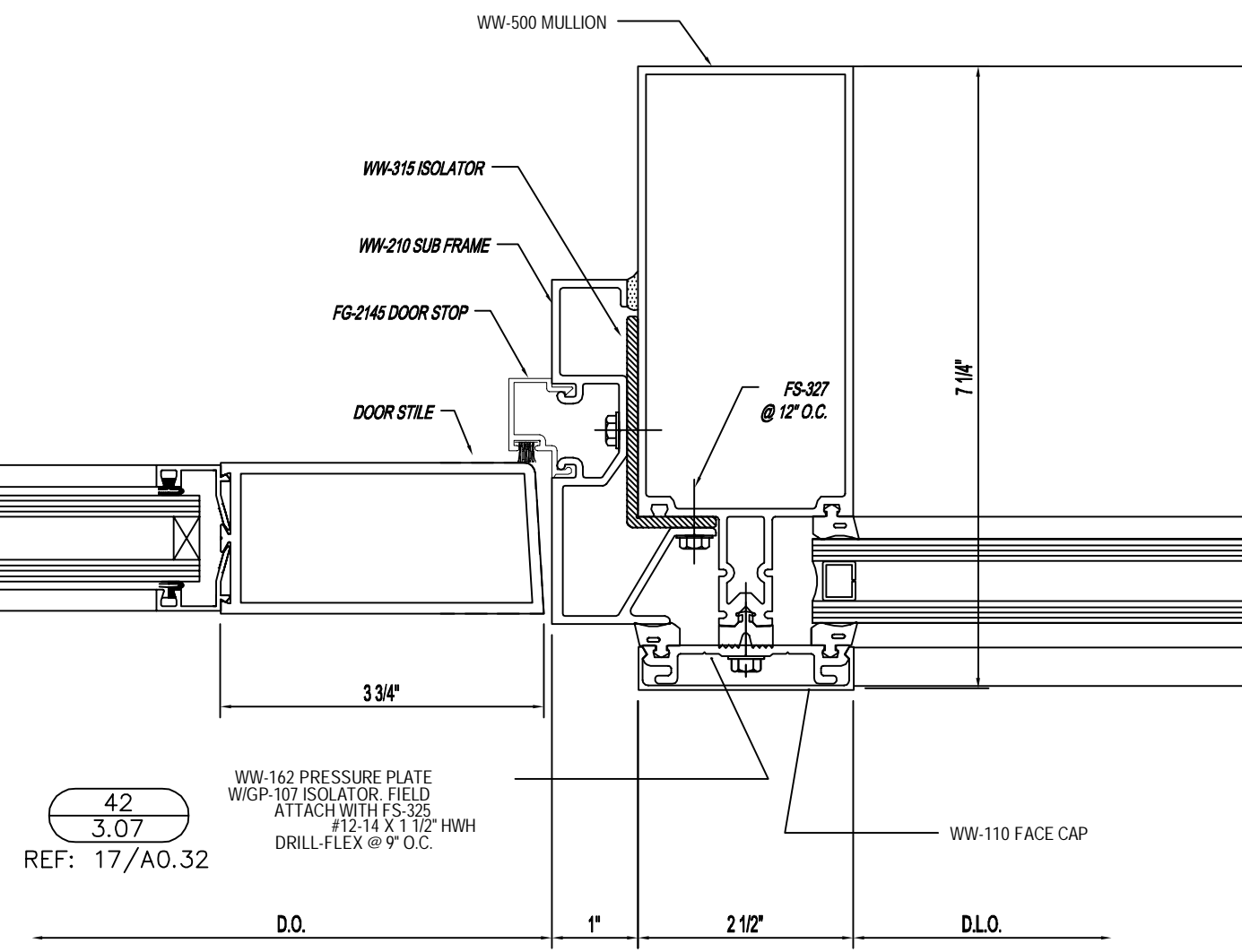
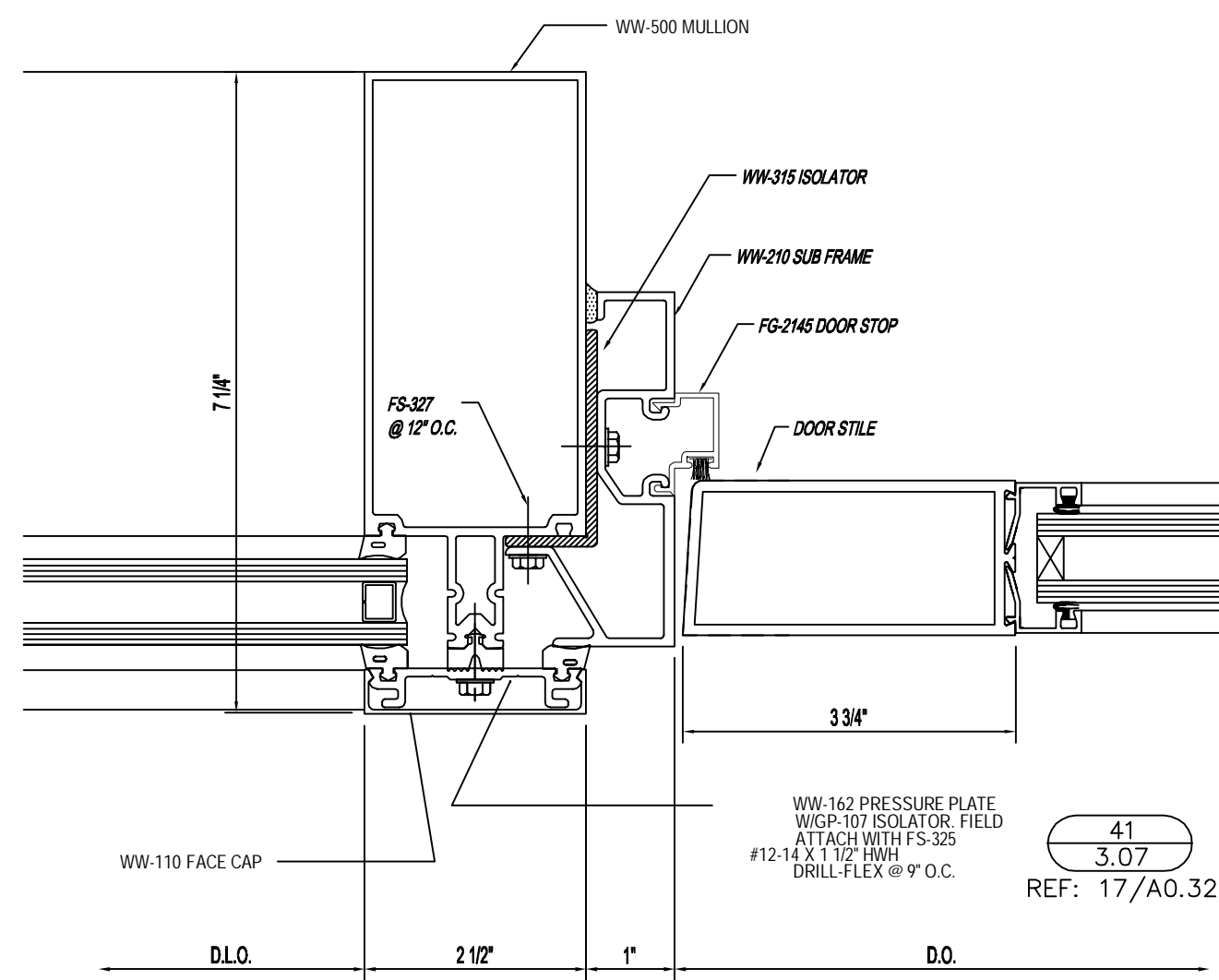
40
3.06
REF: NA

CUSTOMER NAME AND ADDRESS OR
PROJECT NAME AND ADDRESS

PROJECT NAME AND ADDRESS

PROJECT:	CCW	DATE:	10/20/10
CHECKED BY:	ST	DATE:	10/20/10
JOB NO.:	FLEMING	ARCHITECT:	
SHEET NO.:	3.06	CUSTOMER:	

NO	DESCRIPTION	DATE
2ND REV. (ENGINEER REVIEW)		3/17/11
1ST. REVISION		2/11/11
1ST. SUBMISSION		10/20/10
	DRAWING SUBMISSION	



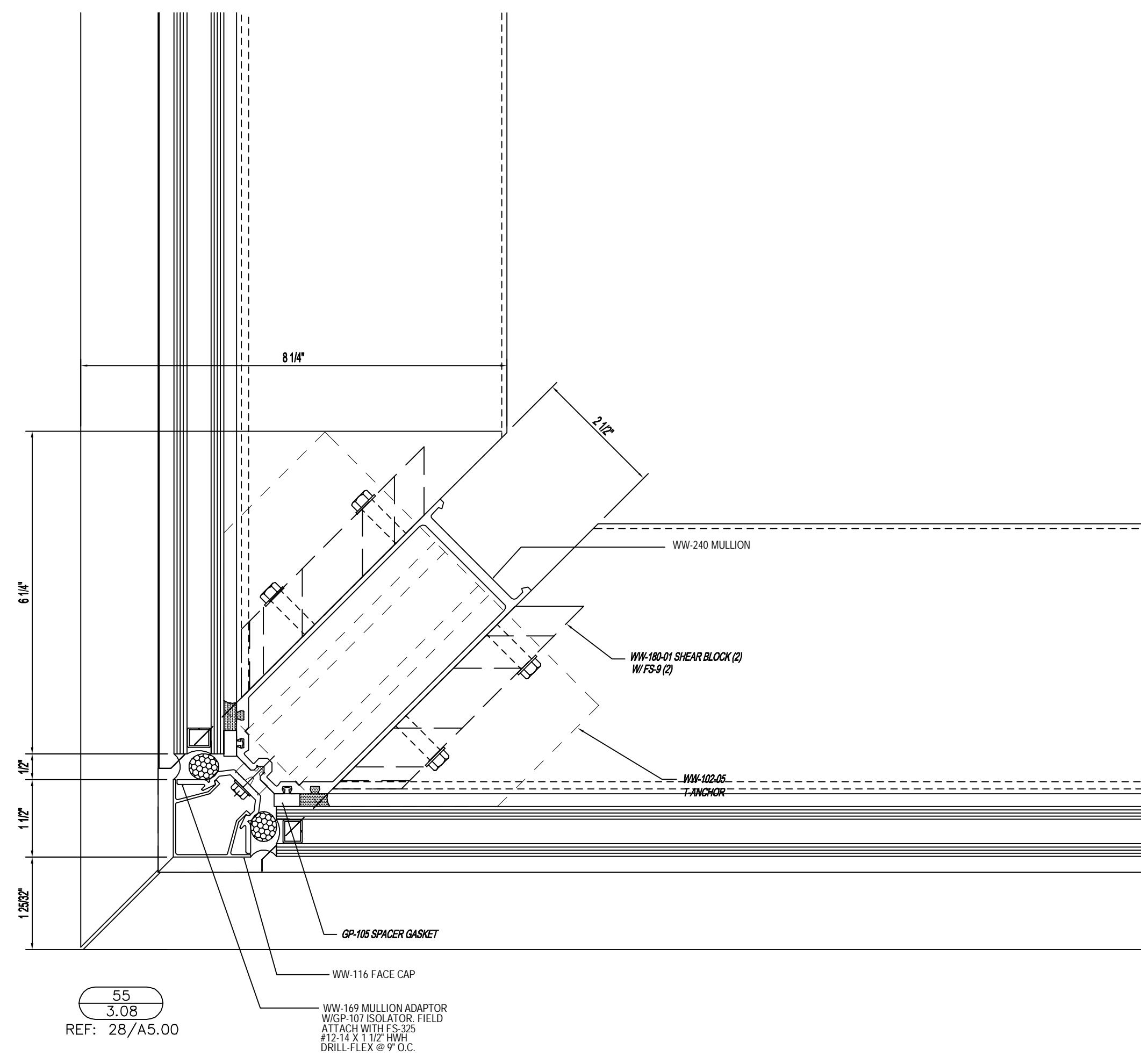
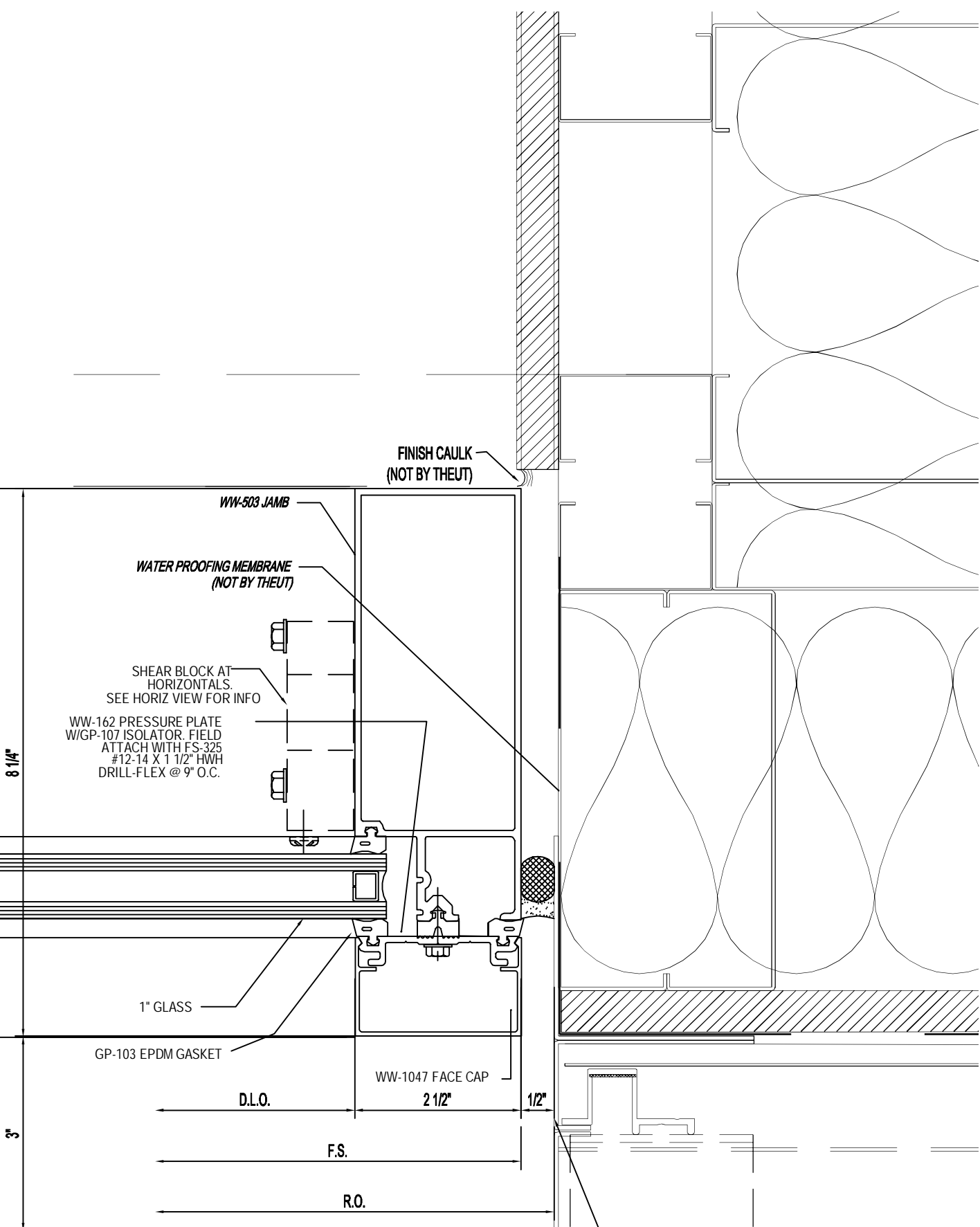
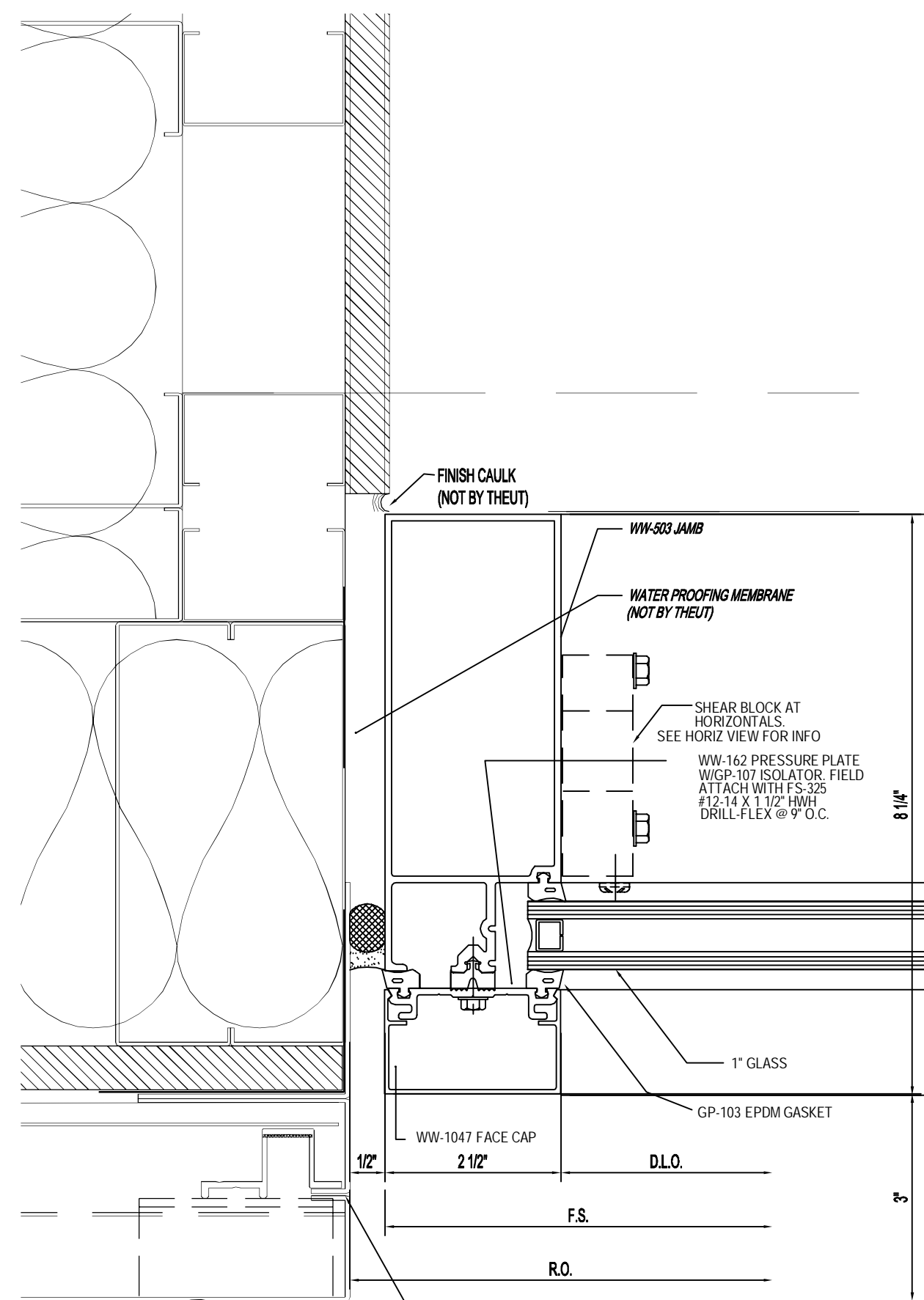
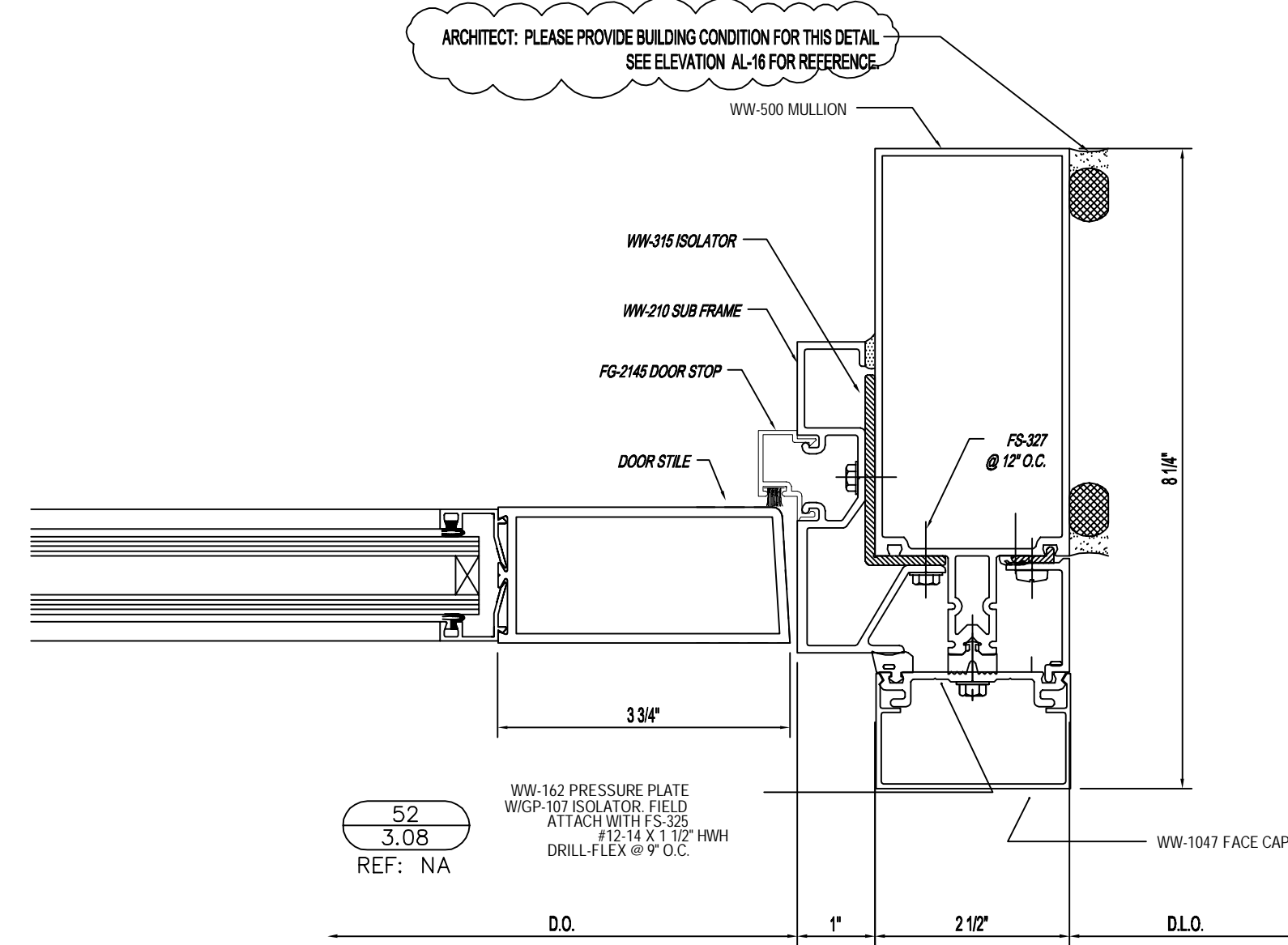
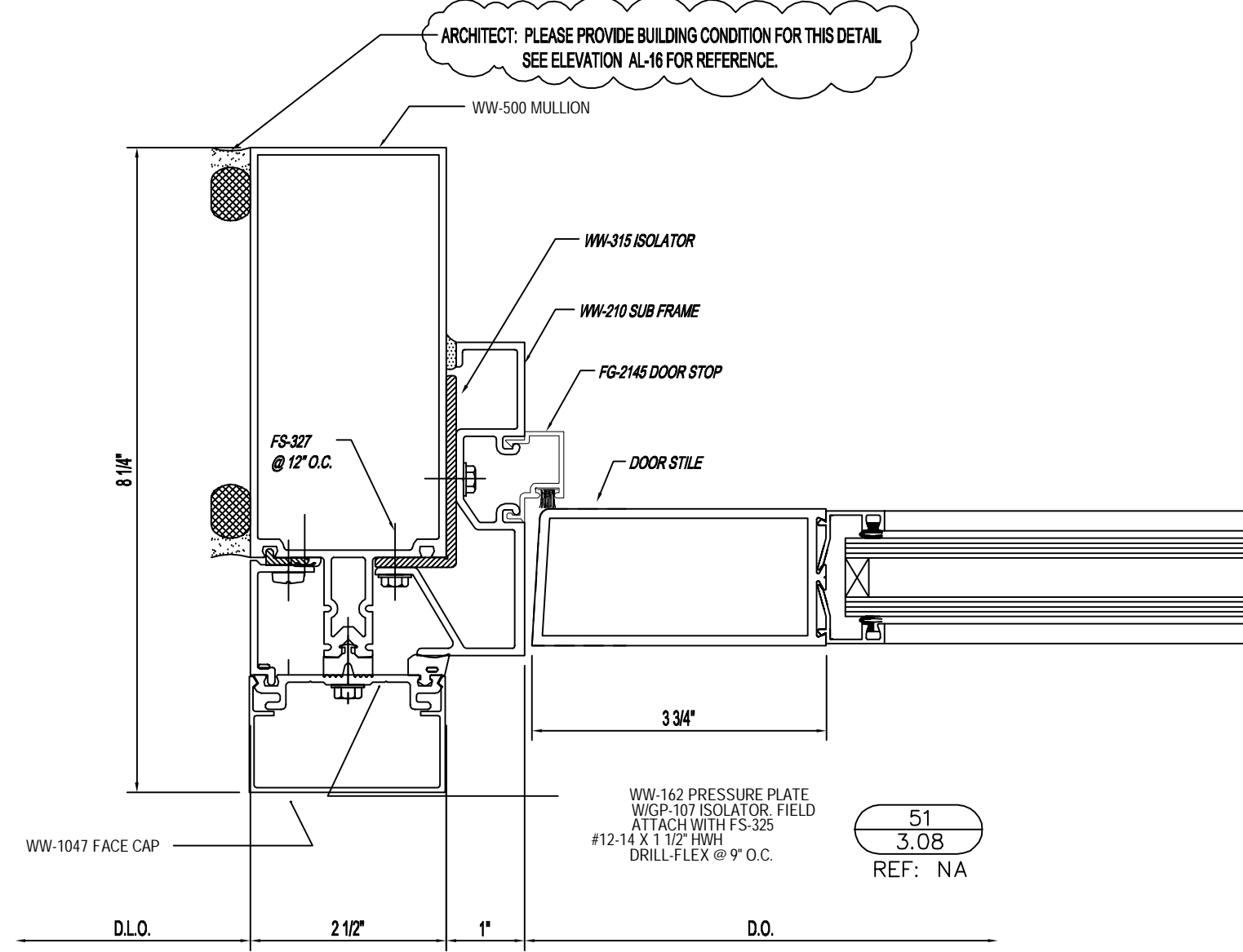
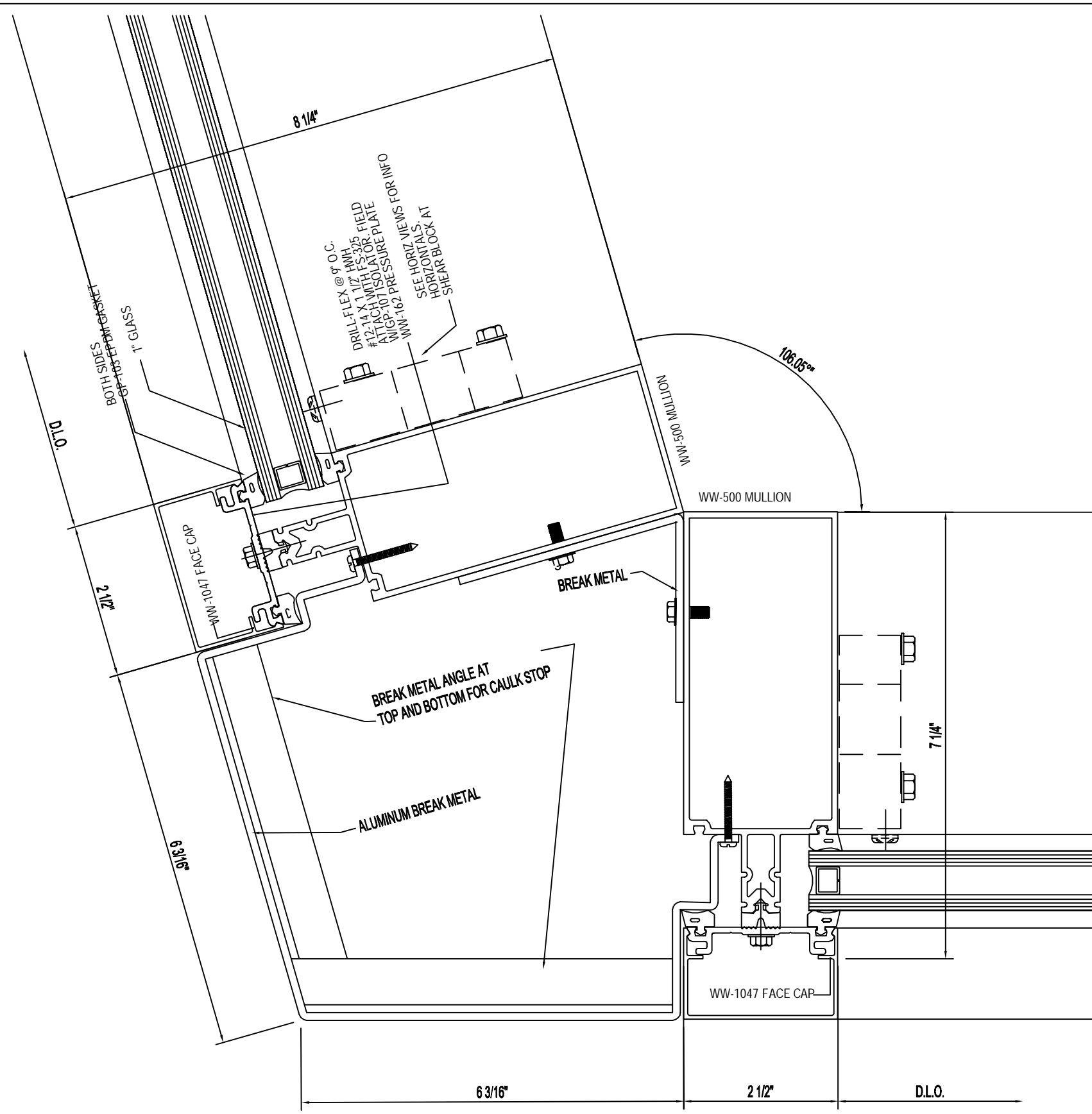
NO	DESCRIPTION	DATE
2ND REV. (ENGINEER REVIEW)		3/17/11
1ST. REVISION		2/11/11
1ST. SUBMISSION		10/20/10

CUSTOMER NAME AND ADDRESS
PROJECT NAME AND ADDRESS

PROJECT NAME AND ADDRESS

DRAWN BY:	CCW	DATE:	10/20/10
CHECKED BY:	ST	DATE:	10/20/10
JOB NO.:	FLEMING		
SHEET NO.:	3.07		

DRAWING SUBMISSION

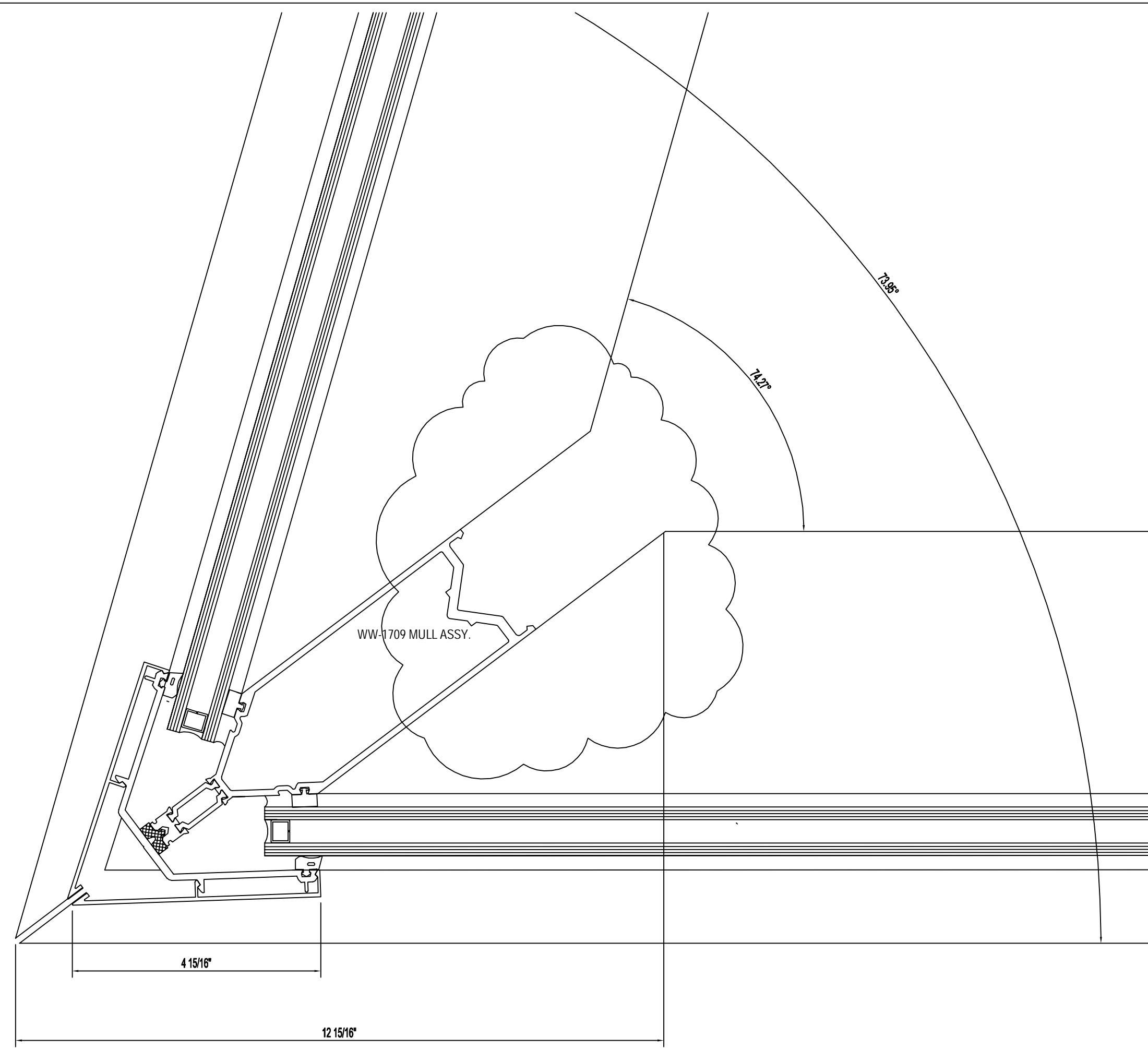


CUSTOMER NAME AND ADDRESS OR PROJECT NAME AND ADDRESS

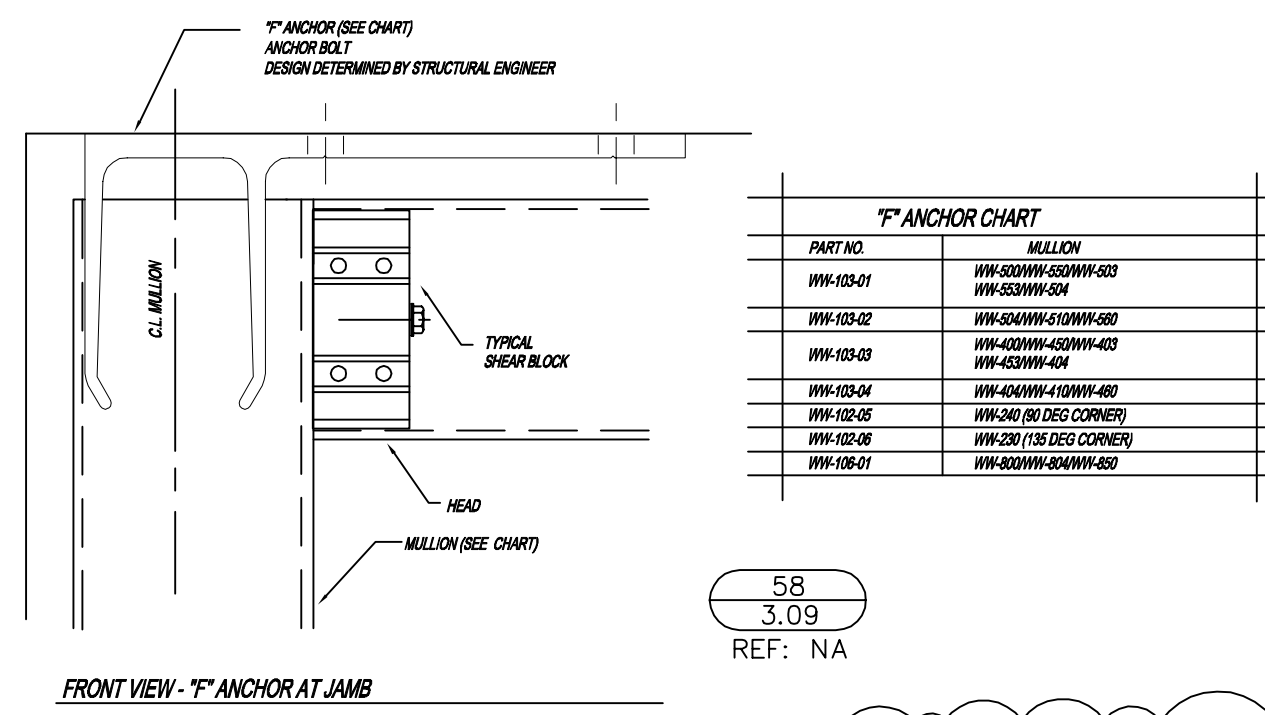
PROJECT NAME AND ADDRESS

PROJECT:	CCW	DATE:	10/20/10
CHECKED BY:	ST	DATE:	10/20/10
JOB NO.:	FLEMING		
SHEET NO.:	3.08		

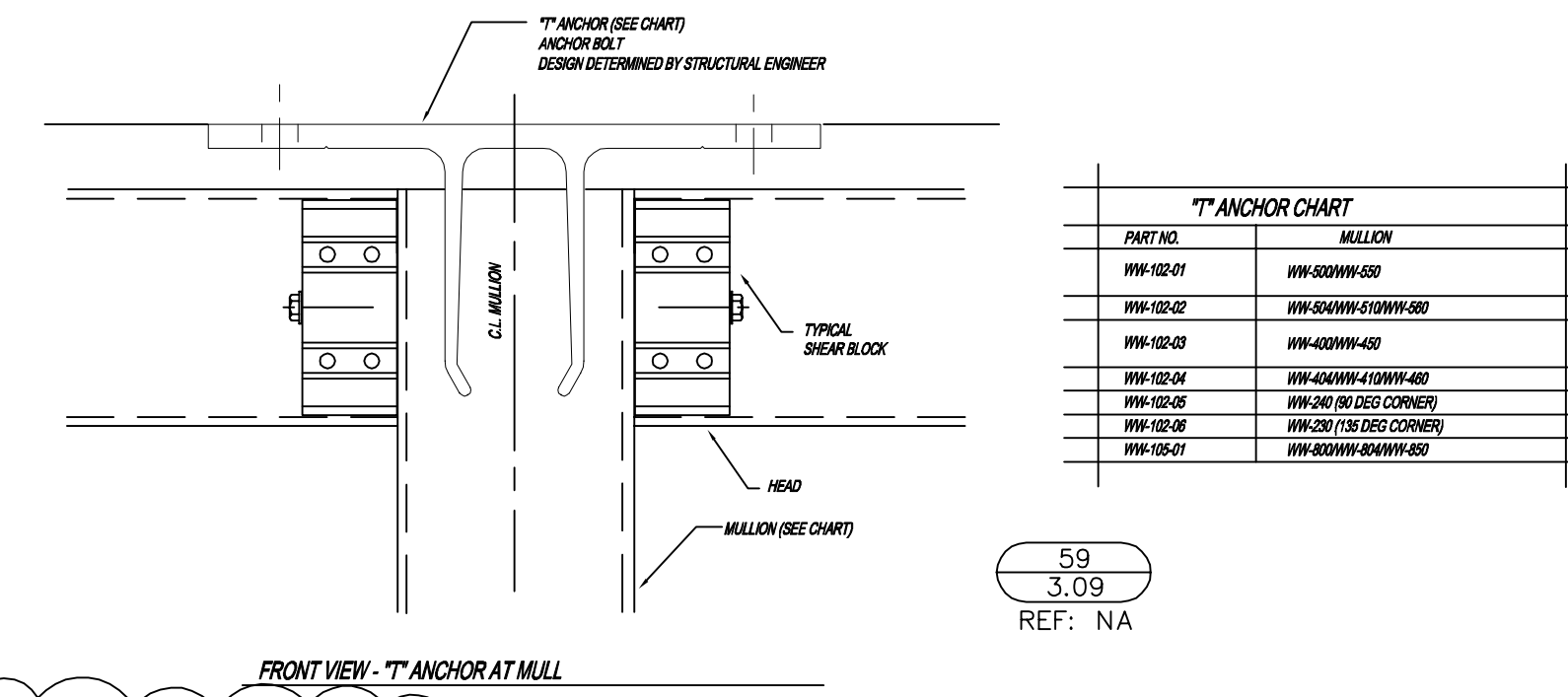
2ND REV. (ENGINEER REVIEW)	3/17/11	DATE
1ST. REVISION	2/1/11	DATE
1ST. SUBMISSION	10/20/10	DATE
NO		DESCRIPTION
		DRAWING SUBMISSION



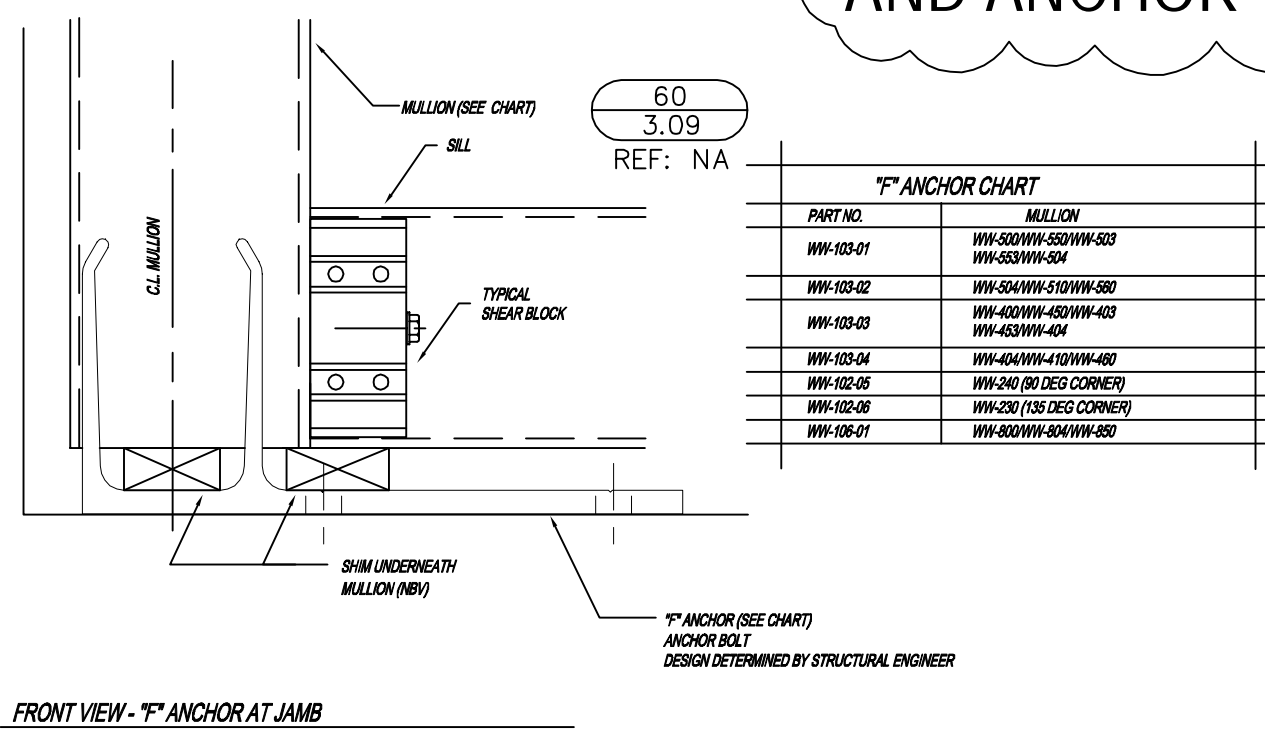
56
3.09
REF: 5/A5.00



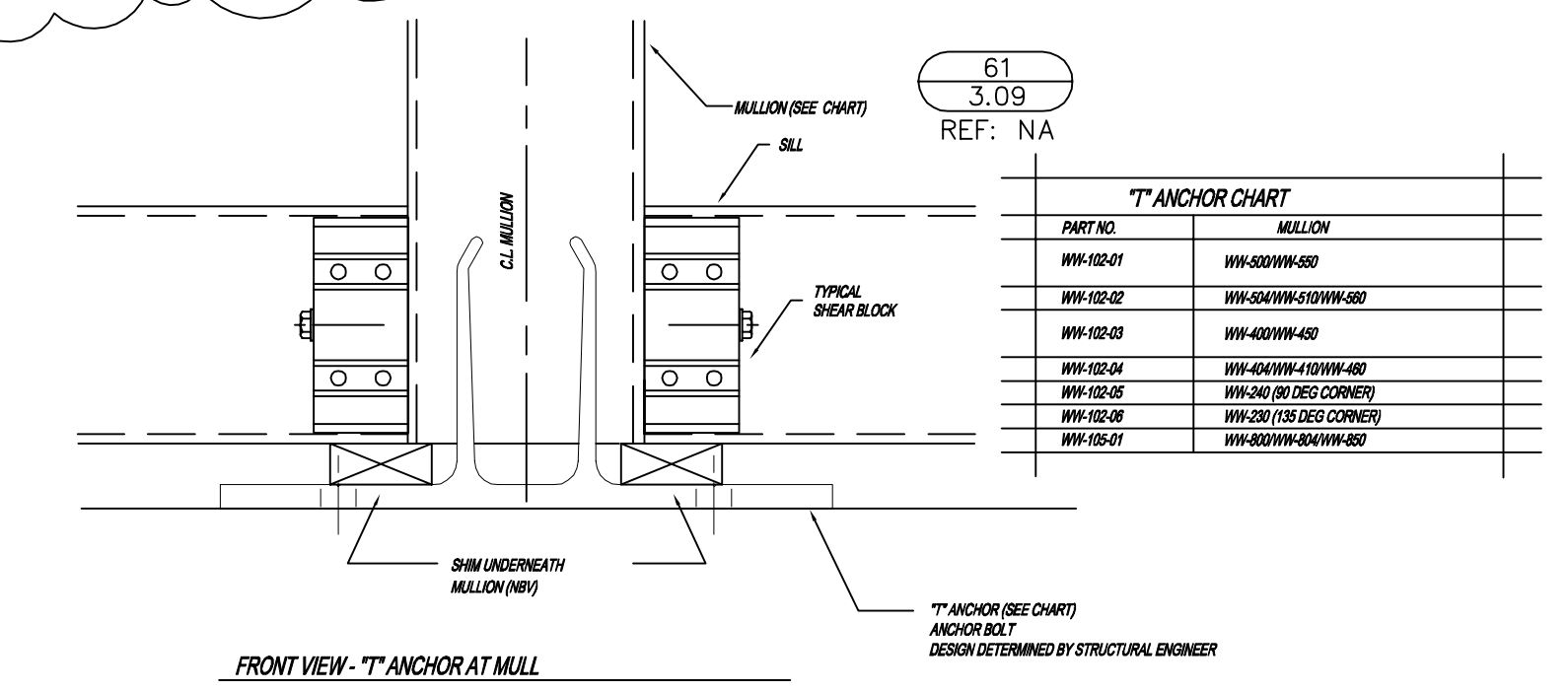
58
3.09
REF: NA



59
3.09
REF: NA

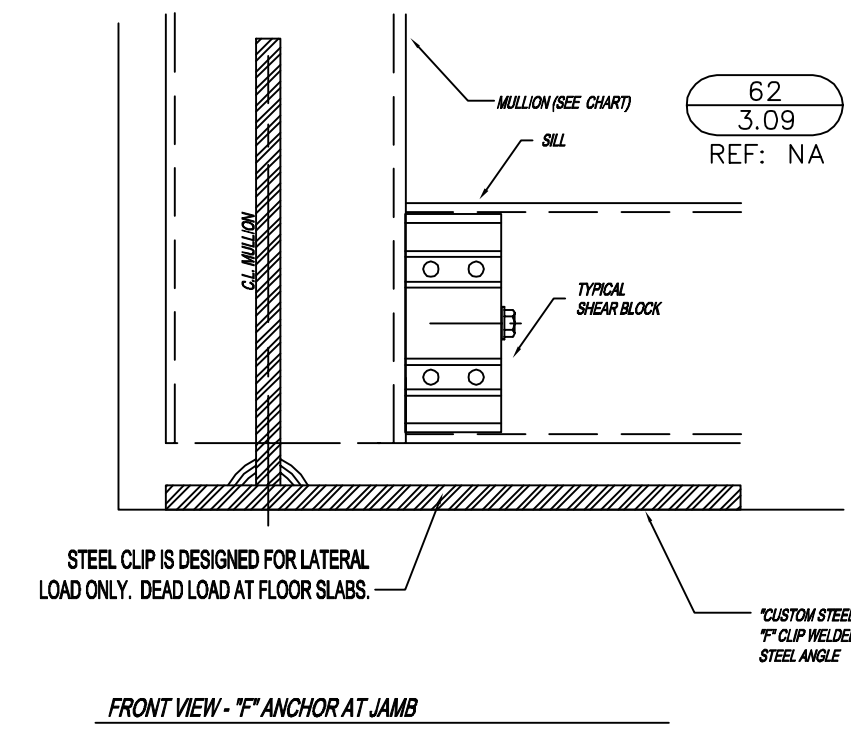


60
3.09
REF: NA

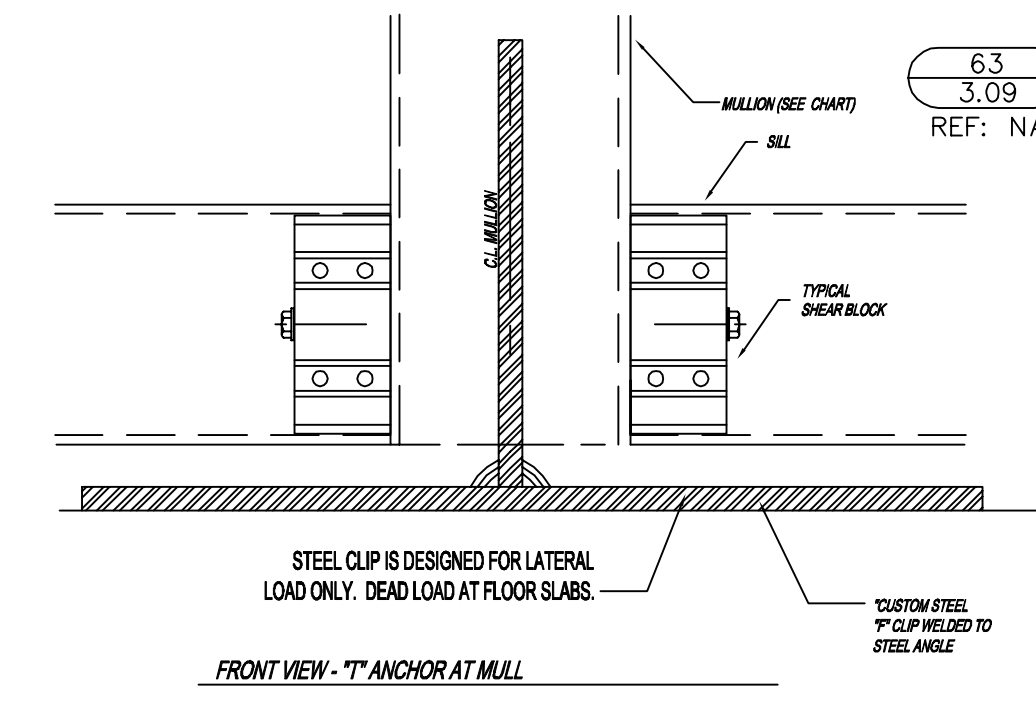


61
3.09
REF: NA

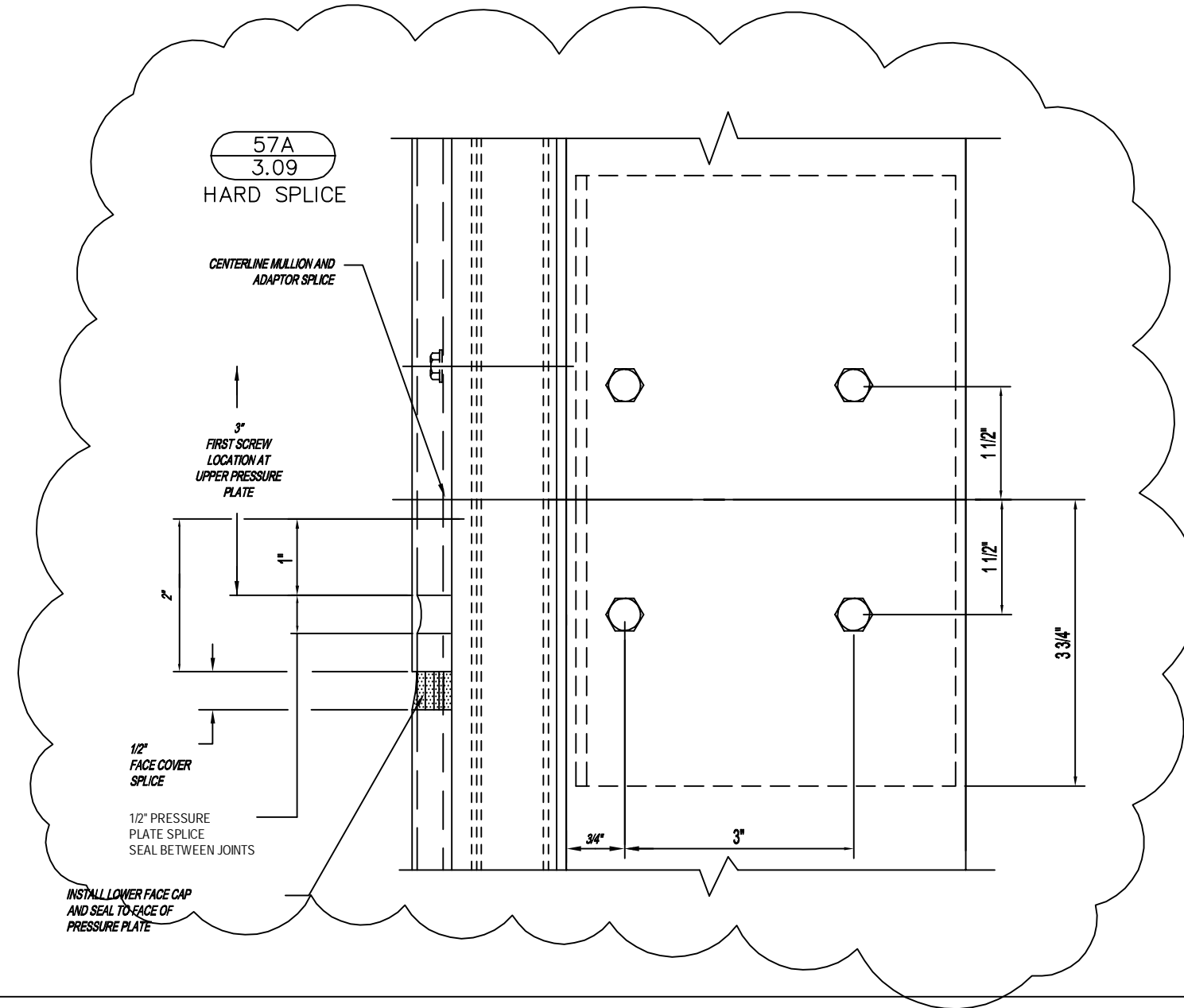
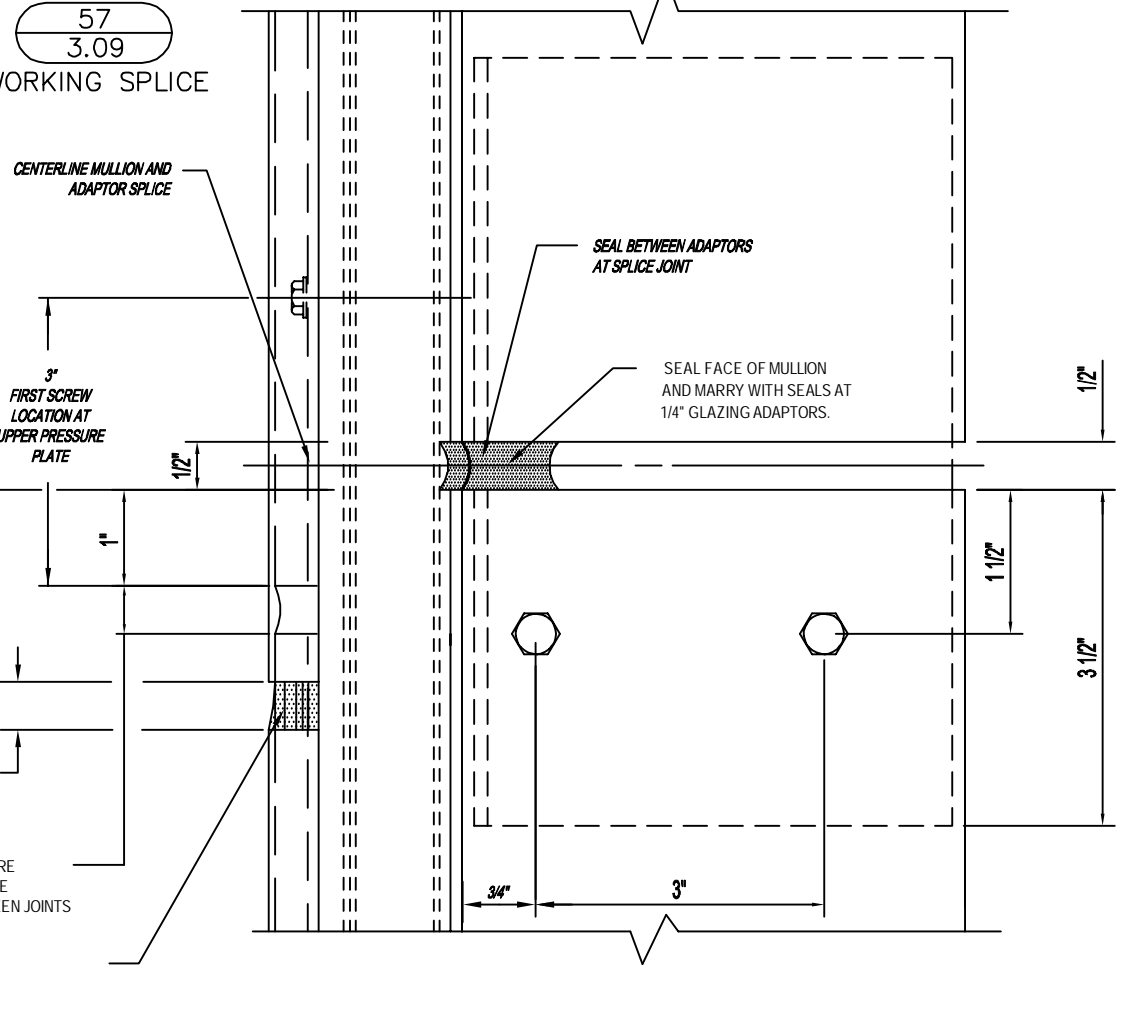
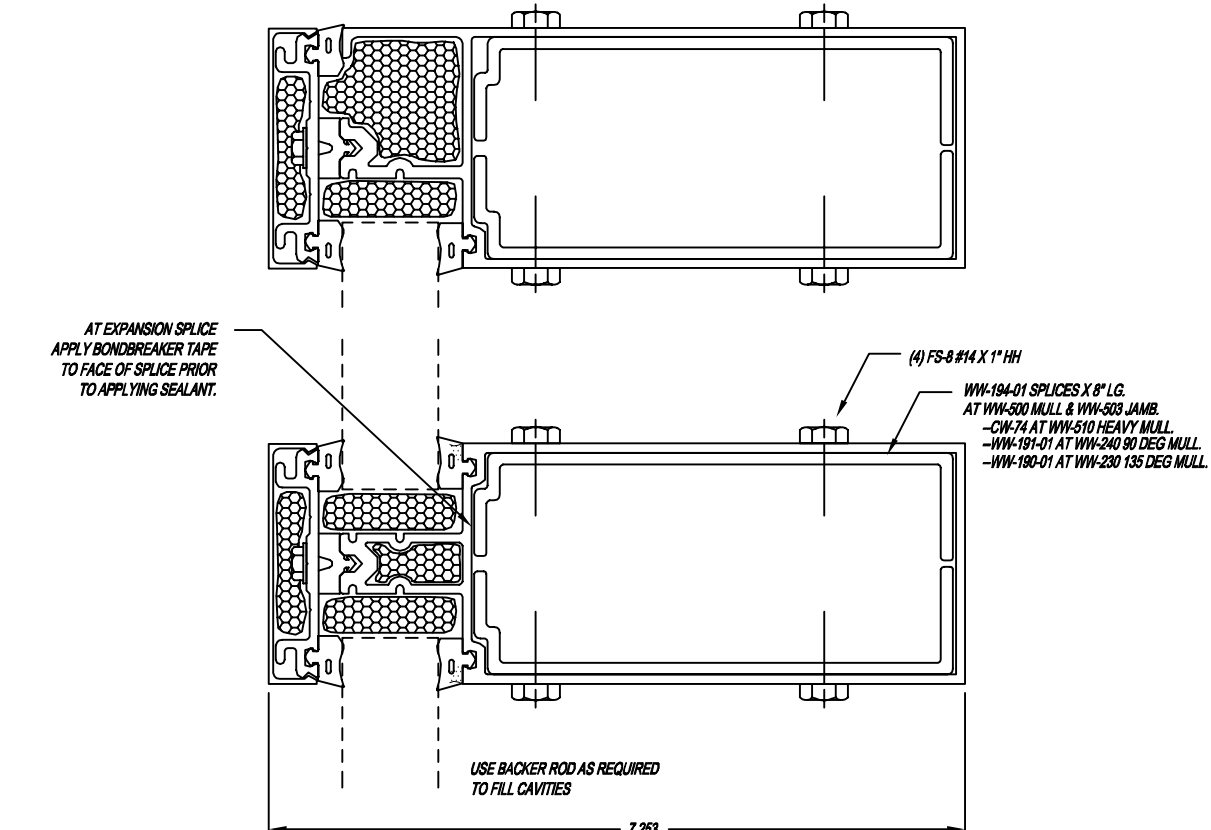
SEE PAGE 3.11 FOR HOLE SPACING AND ANCHOR TYPE.



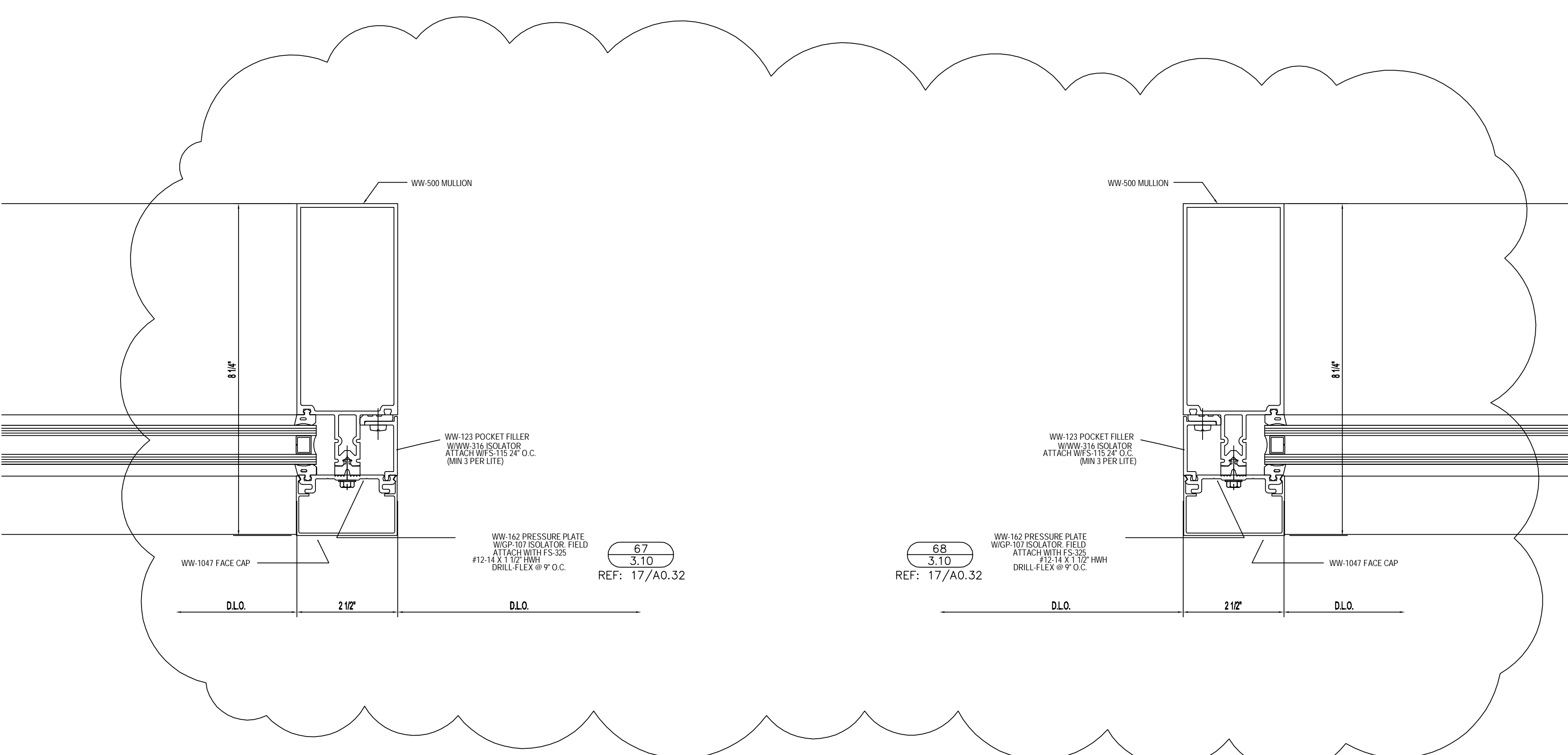
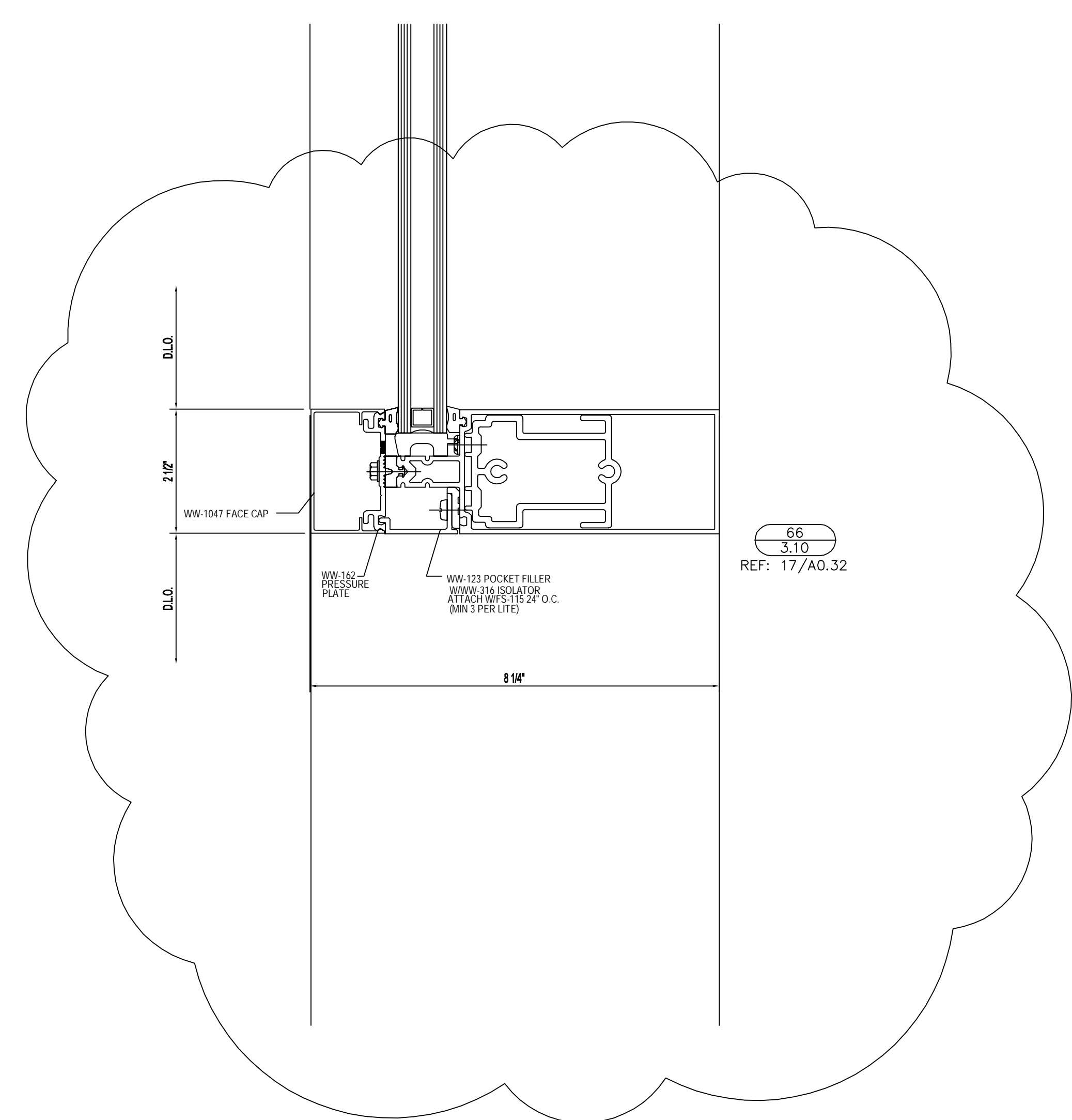
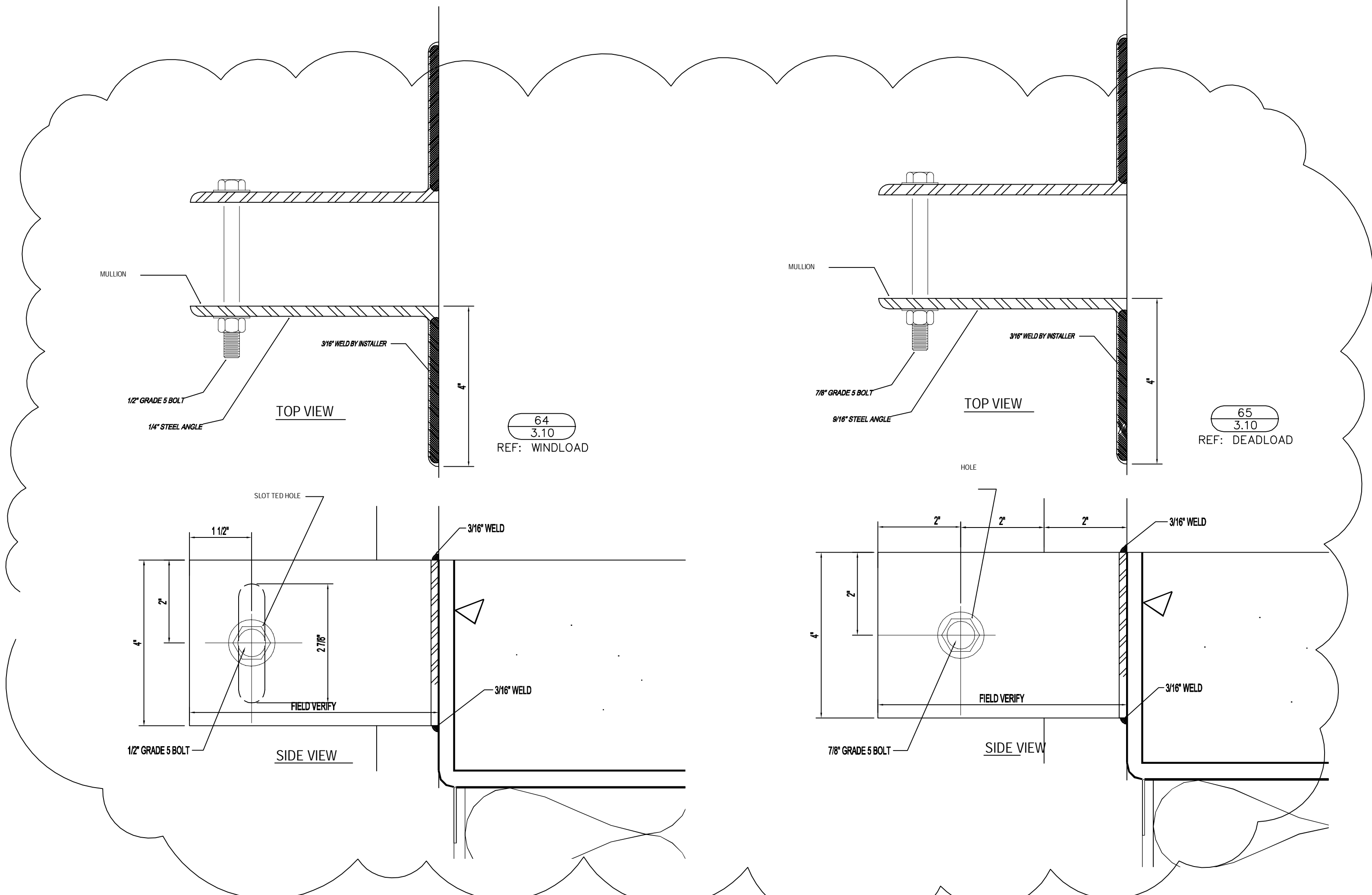
62
3.09
REF: NA



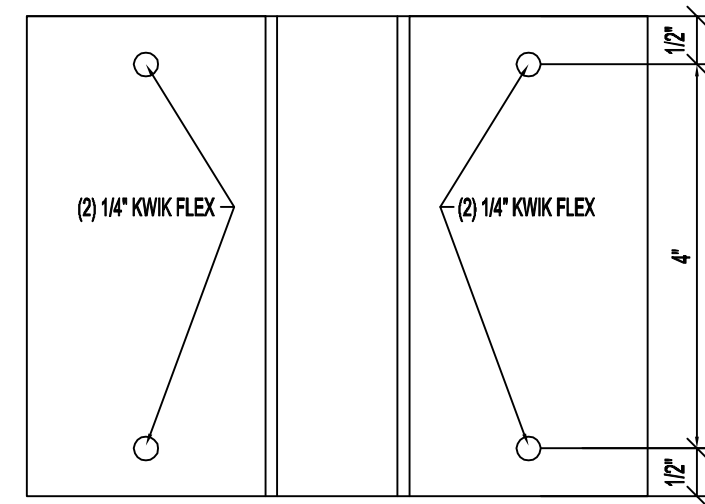
63
3.09
REF: NA



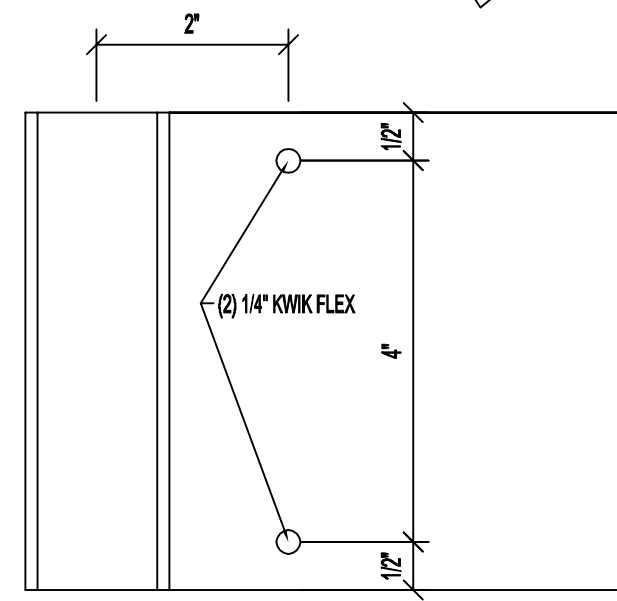
PROJECT:	PROJECT NAME AND ADDRESS		
DRAWN BY:	CCW	DATE:	10/20/10
CHECKED BY:	ST	DATE:	10/20/10
JOB NO.:	FLEMING	ARCHITECT:	CUSTOMER
SHEET NO.:	3.09	NO	DESCRIPTION
2ND REV. (ENGINEER REVIEW)	3/17/11	DATE	DRAWING SUBMISSION
1ST. REVISION	2/11/11	DATE	
1ST. SUBMISSION	10/20/10	DATE	



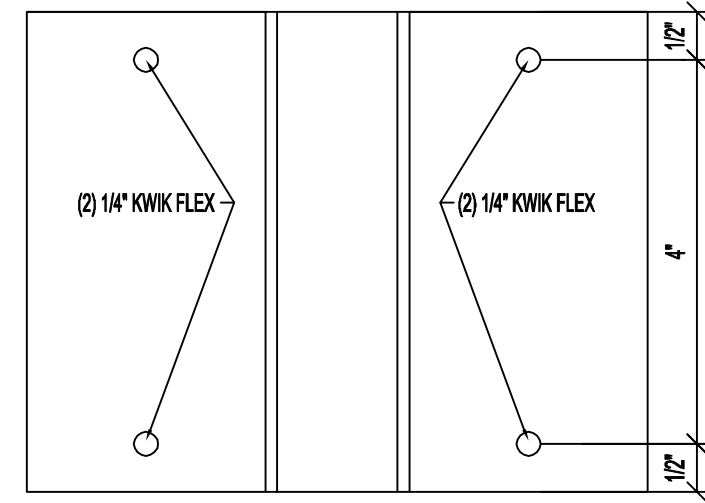
PROJECT:		DRAWN BY:		DATE:	
PROJECT NAME AND ADDRESS		CCW		10/20/10	
CUSTOMER NAME AND ADDRESS		CHECKED BY:		DATE:	
		ST		10/20/10	
PROJECT NAME AND ADDRESS		JOB NO.:		SHEET NO.:	
		FLEMING		3.10	
PROJECT NAME AND ADDRESS		ARCHITECT:		DATE:	
		CUSTOMER:		DRAWING SUBMISSION	
PROJECT NAME AND ADDRESS		2ND REV. (ENGINEER REVIEW)		3/17/11	
		1ST. REVISION		2/1/11	
		1ST. SUBMISSION		10/20/10	
		NO		DESCRIPTION	
				DATE	



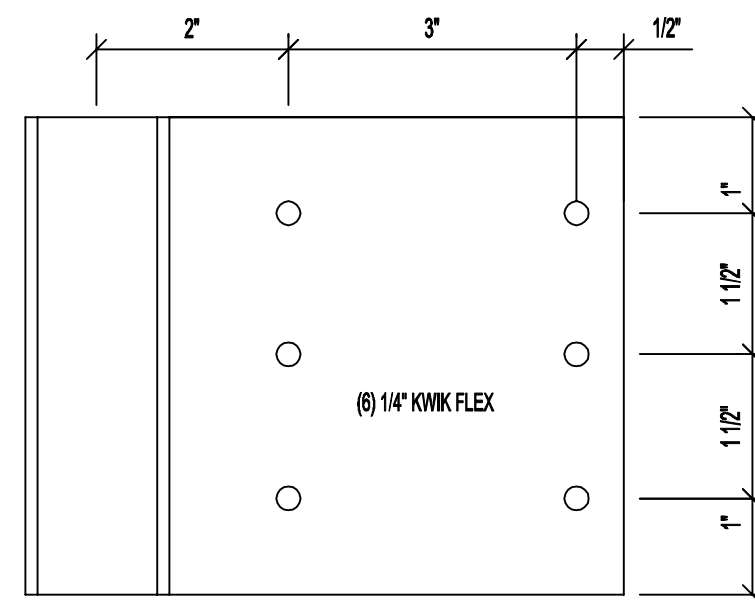
"T" ANCHOR TO LIGHT GAUGE STEEL
(DETAILS 10, 14A, 17 & 20)



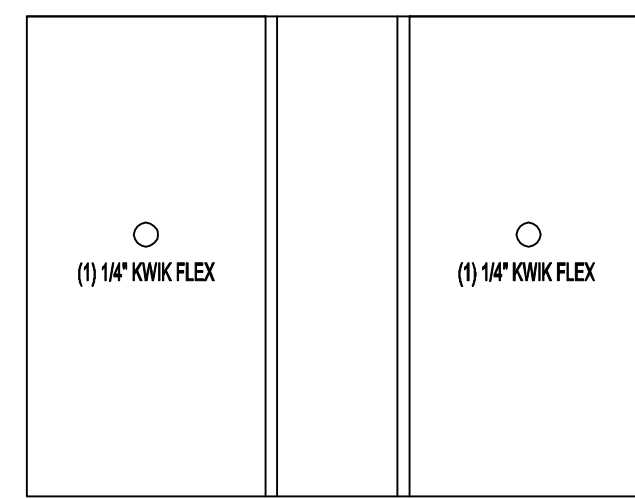
"F" ANCHOR TO LIGHT GAUGE STEEL
(DETAILS 10 & 14A)



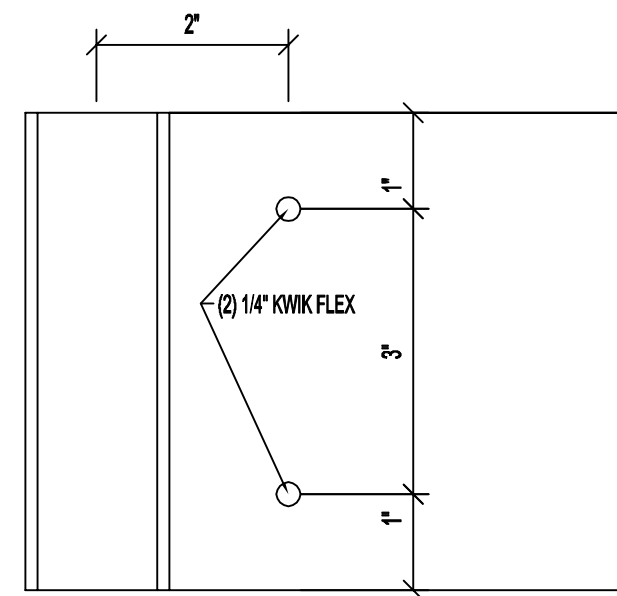
"T" ANCHOR TO STEEL
(DETAILS 21, 24, 25, 26 & 28)



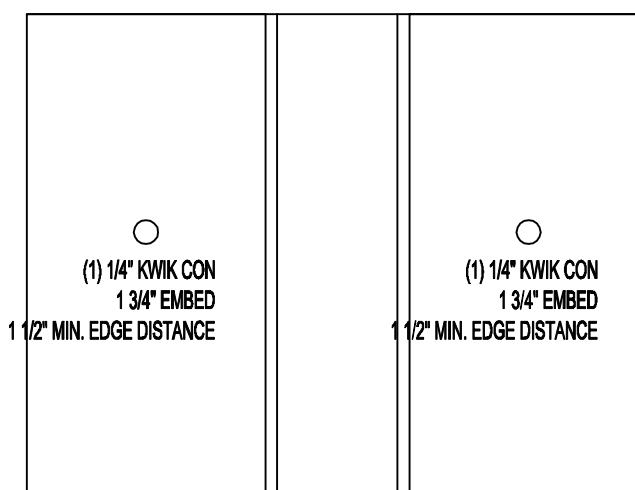
"F" ANCHOR TO STEEL
(DETAILS 21, 24, 25, 26 & 28)



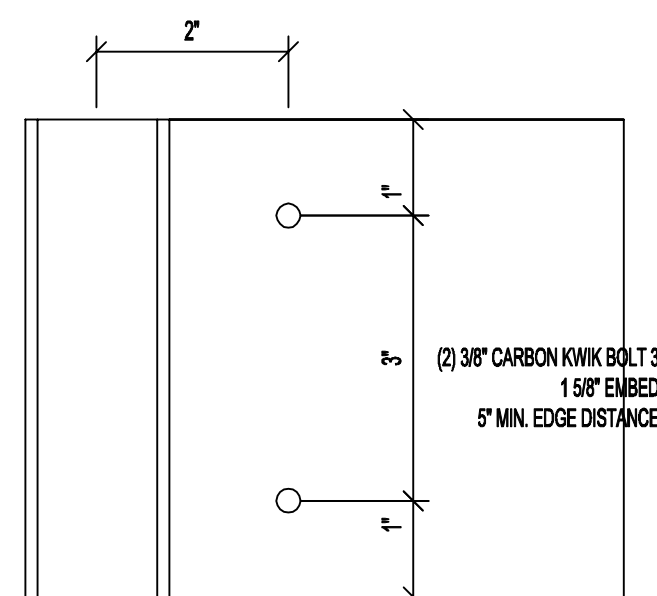
"T" ANCHOR TO STEEL
(DETAILS 5, 6, 16 & 19)



"F" ANCHOR TO STEEL
(DETAILS 5, 6 & 19)



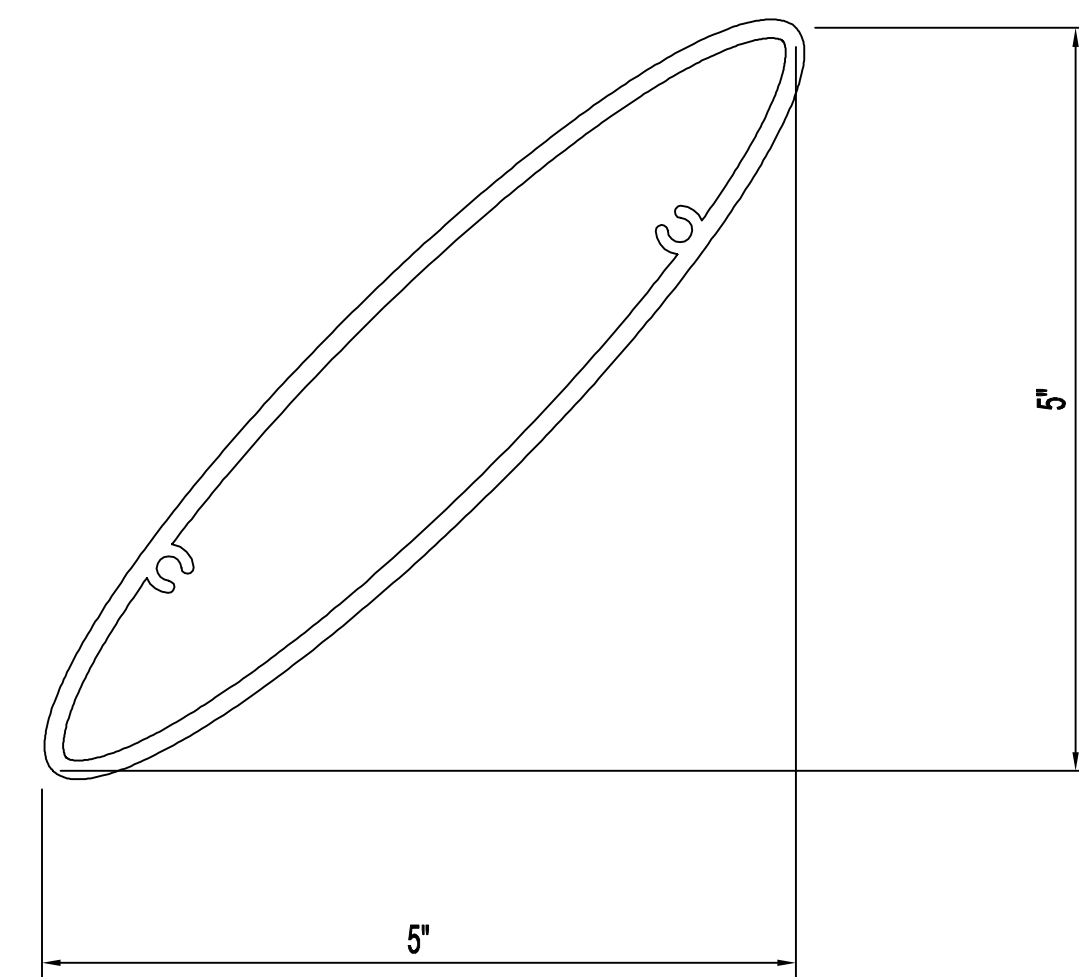
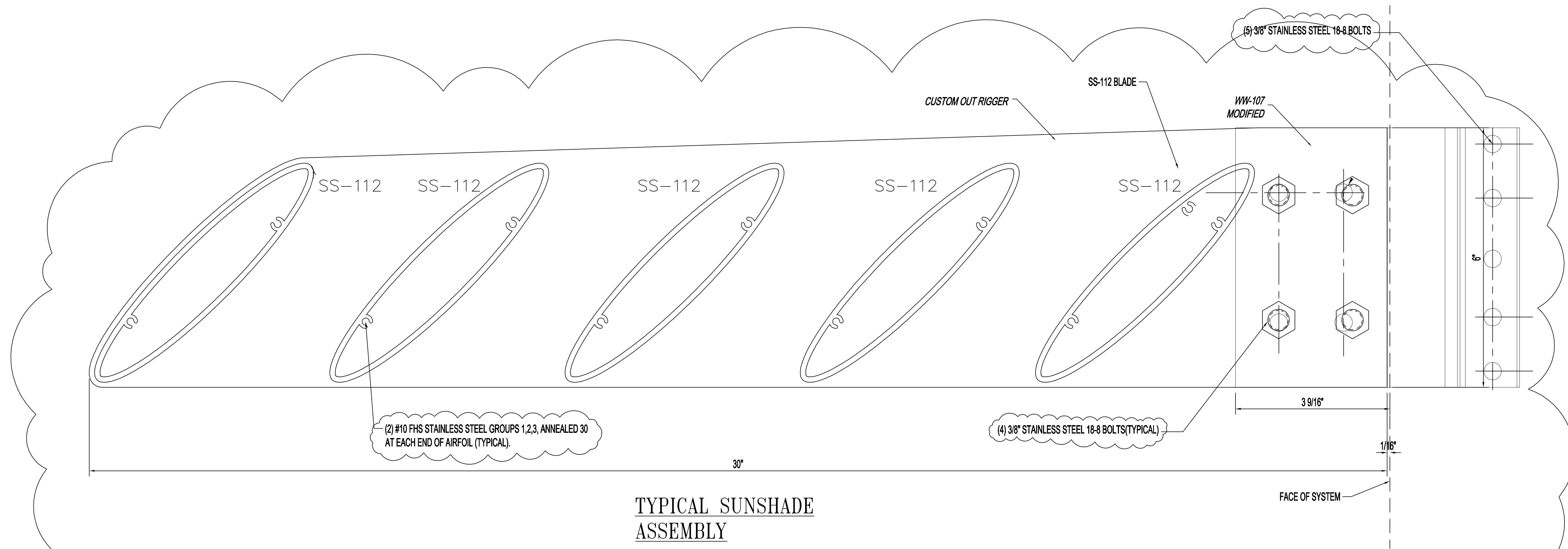
"T" ANCHOR TO CONCRETE
(DETAILS 12 & 16)



"F" ANCHOR TO CONCRETE
(DETAILS 12 & 16)

"T" AND "F" ANCHOR SPACING

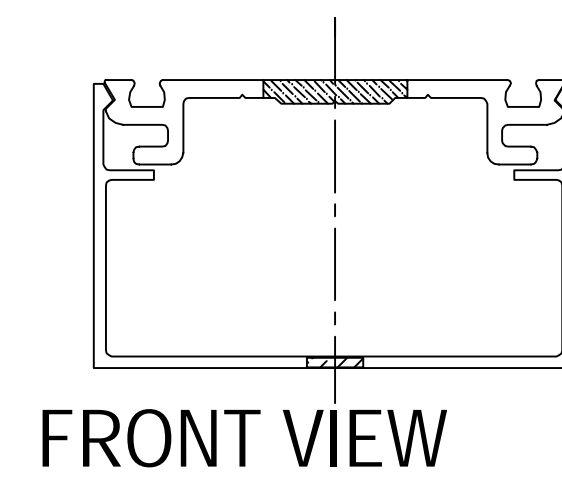
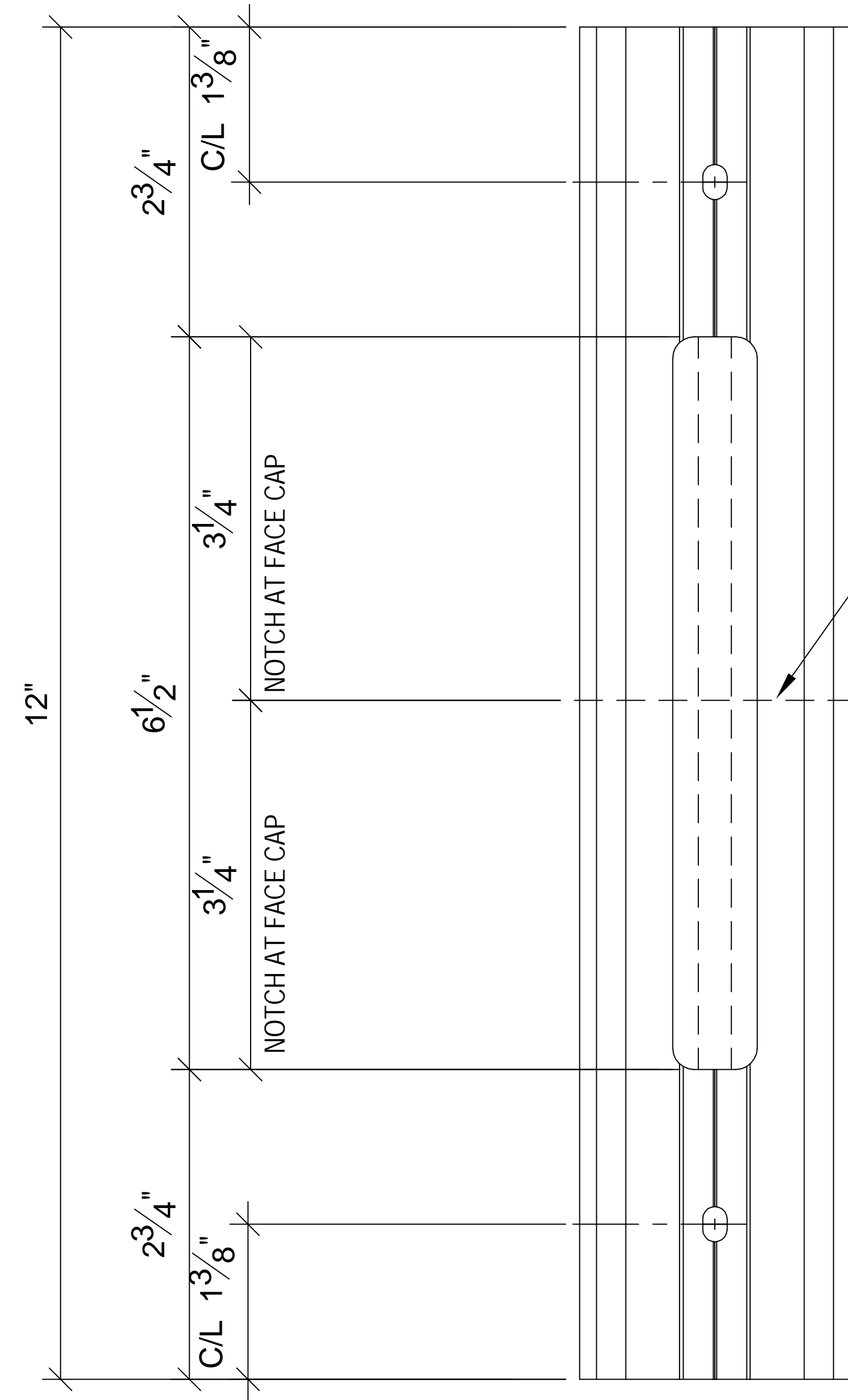
PROJECT:		DRAWN BY:		DATE:	
PROJECT NAME AND ADDRESS		CCW		10/20/10	
CUSTOMER NAME AND ADDRESS		CHECKED BY:		DATE:	
		ST		10/20/10	
PROJECT NAME AND ADDRESS		JOB NO.:		SHEET NO.:	
		FLEMING		3.10	
PROJECT NAME AND ADDRESS		ARCHITECT:		DATE:	
		CUSTOMER:		DRAWING SUBMISSION	
PROJECT NAME AND ADDRESS		2ND REV. (ENGINEER REVIEW)		3/17/11	
		1ST. REVISION		2/1/11	
		1ST. SUBMISSION		10/20/10	
		NO		DESCRIPTION	
				DATE	



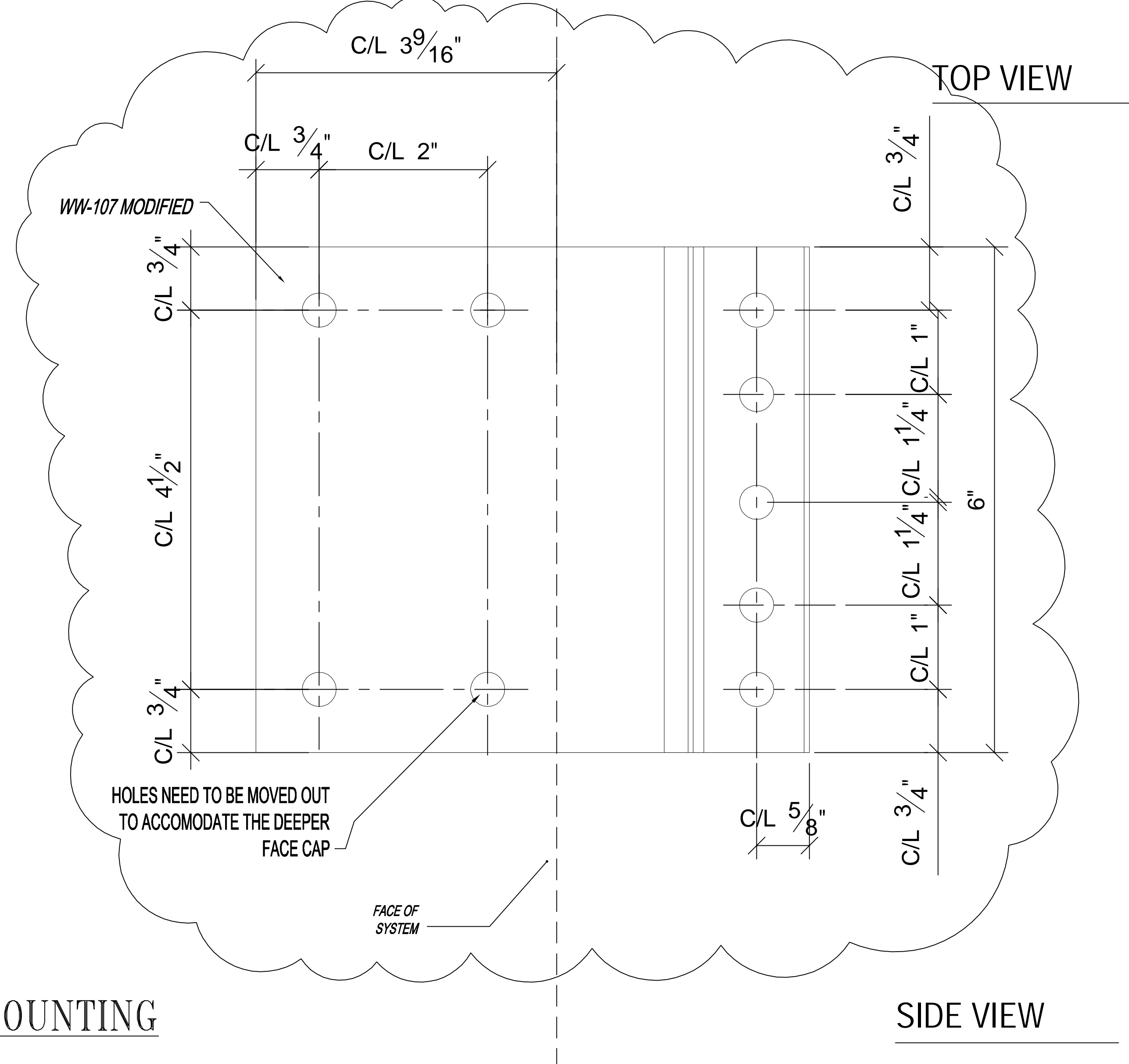
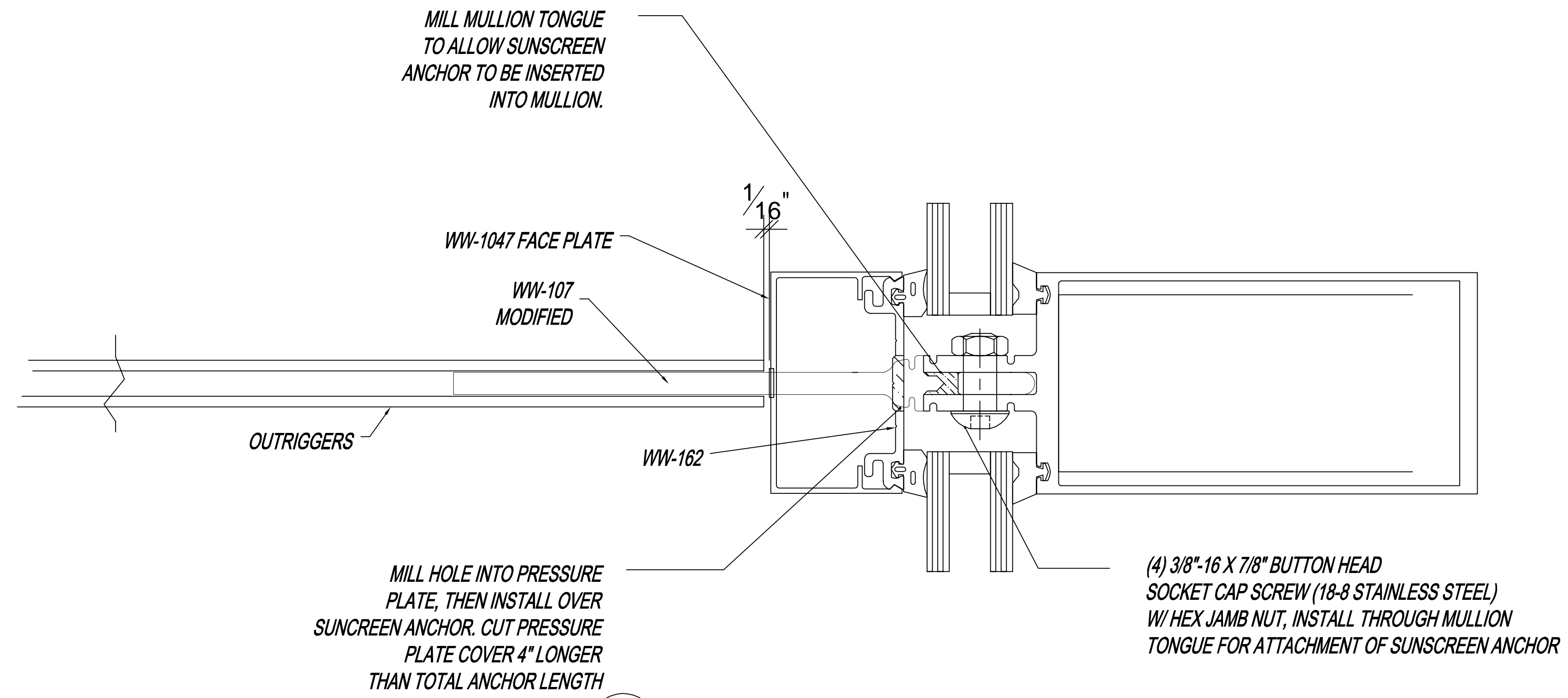
SS-112 BLADE

TYPICAL SUNSHADE ASSEMBLY

PROJECT:		CUSTOMER NAME AND ADDRESS	
DRAWN BY:		PROJECT NAME AND ADDRESS	
CCW	DATE:	CUSTOMER NAME AND ADDRESS	
ST	10/20/10	CUSTOMER	
CHECKED BY:		ARCHITECT:	
10/20/10		DATE:	
JOB NO.:		CUSTOMER:	
FLEMING		DATE:	
SHEET NO.:		DRAWING SUBMISSION	
4.01		NO	
		DESCRIPTION	
		DATE	
		10/20/10	
		2/1/11	
		3/17/11	
		2ND REV. (ENGINEER REVIEW)	

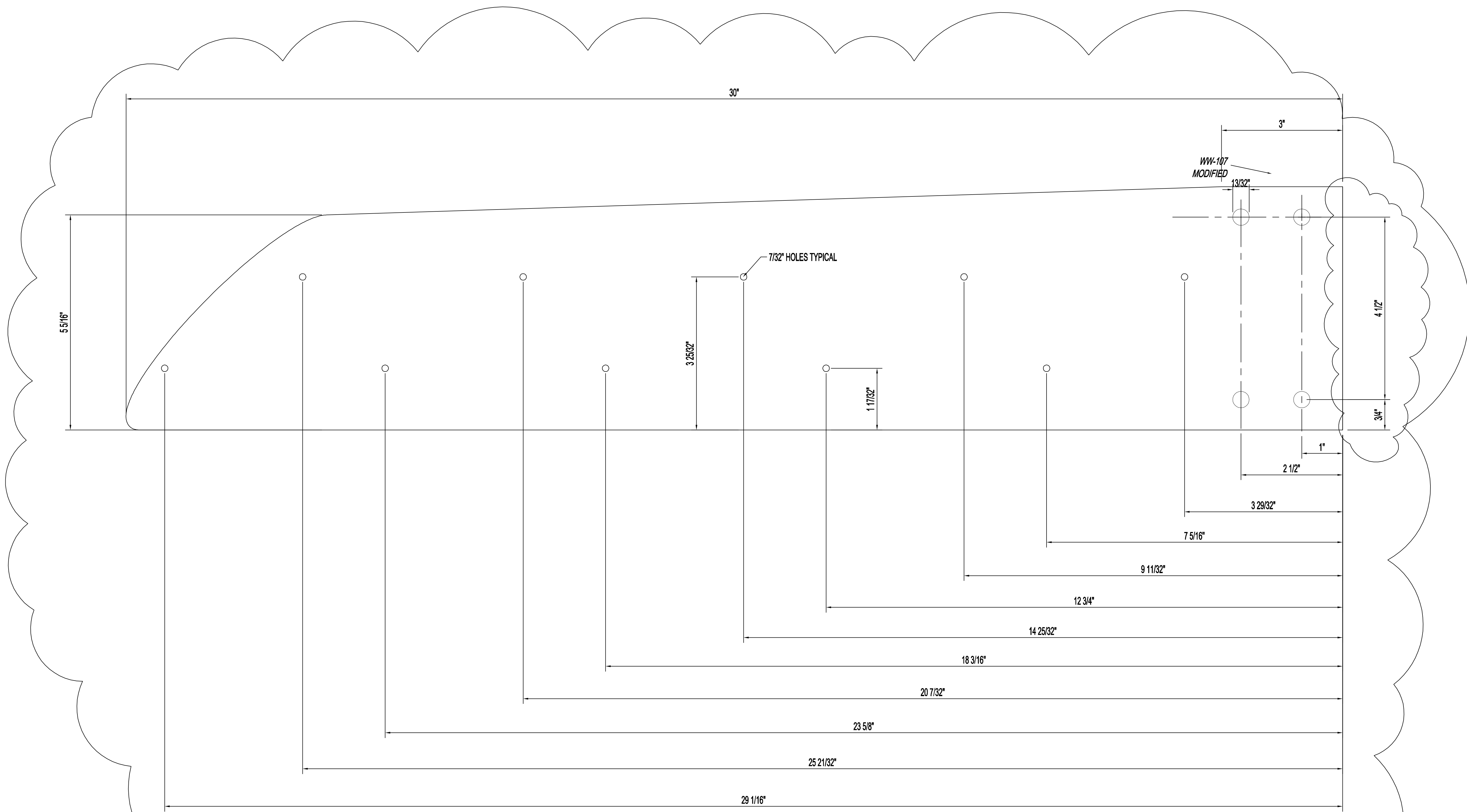


TYPICAL MOUNTING ASSEMBLY



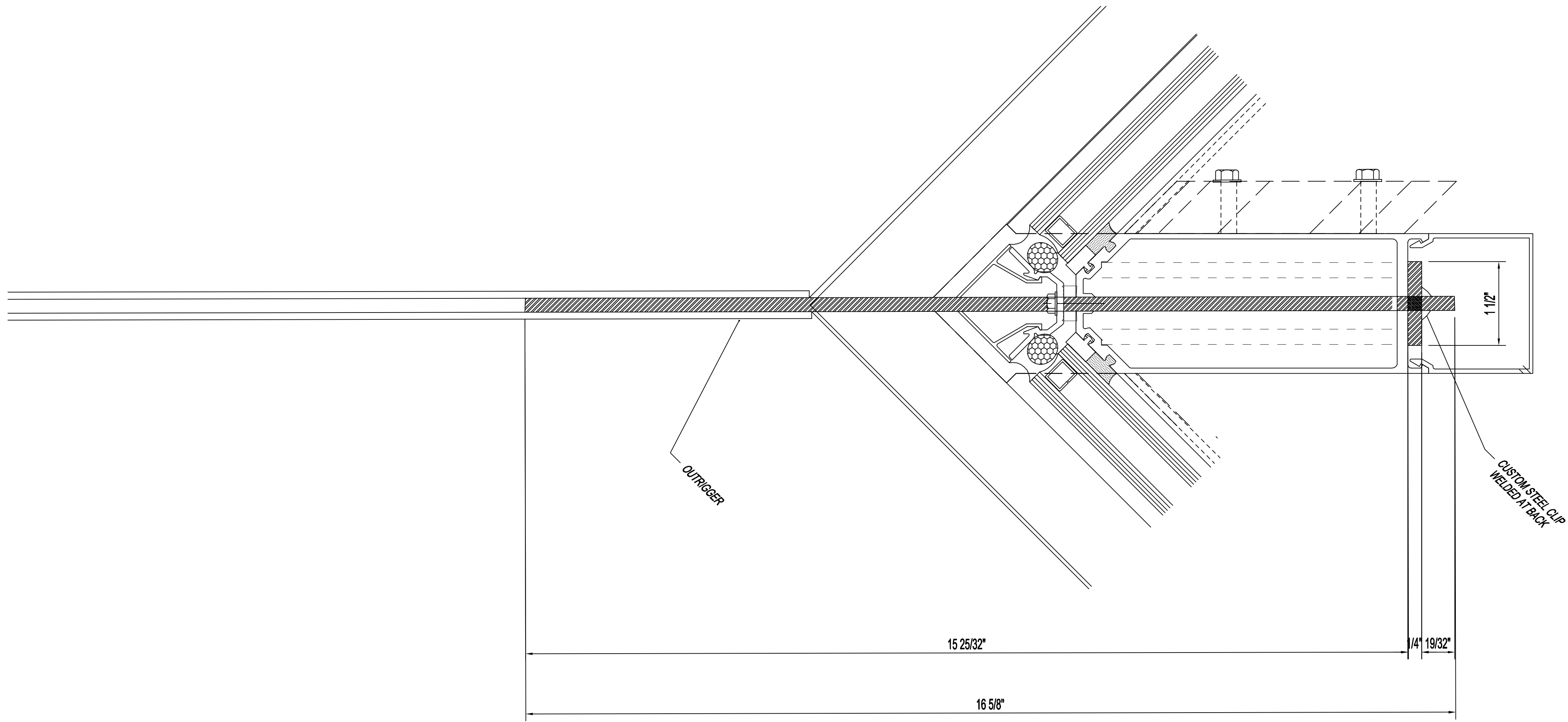
SIDE VIEW

PROJECT:		PROJECT NAME AND ADDRESS	
DRAWN BY:		ARCHITECT:	
CCW	10/20/10	CUSTOMER:	
CHECKED BY:	DATE:	PROJECT NAME AND ADDRESS	
ST	10/20/10	CUSTOMER:	
JOB NO.:		FLEMING	
SHEET NO.:		4.02	
NO	DESCRIPTION	DATE	DRAWING SUBMISSION
1	1ST. SUBMISSION	10/20/10	
2	1ST. REVISION	2/1/11	
3	2ND REV. (ENGINEER REVIEW)	3/17/11	

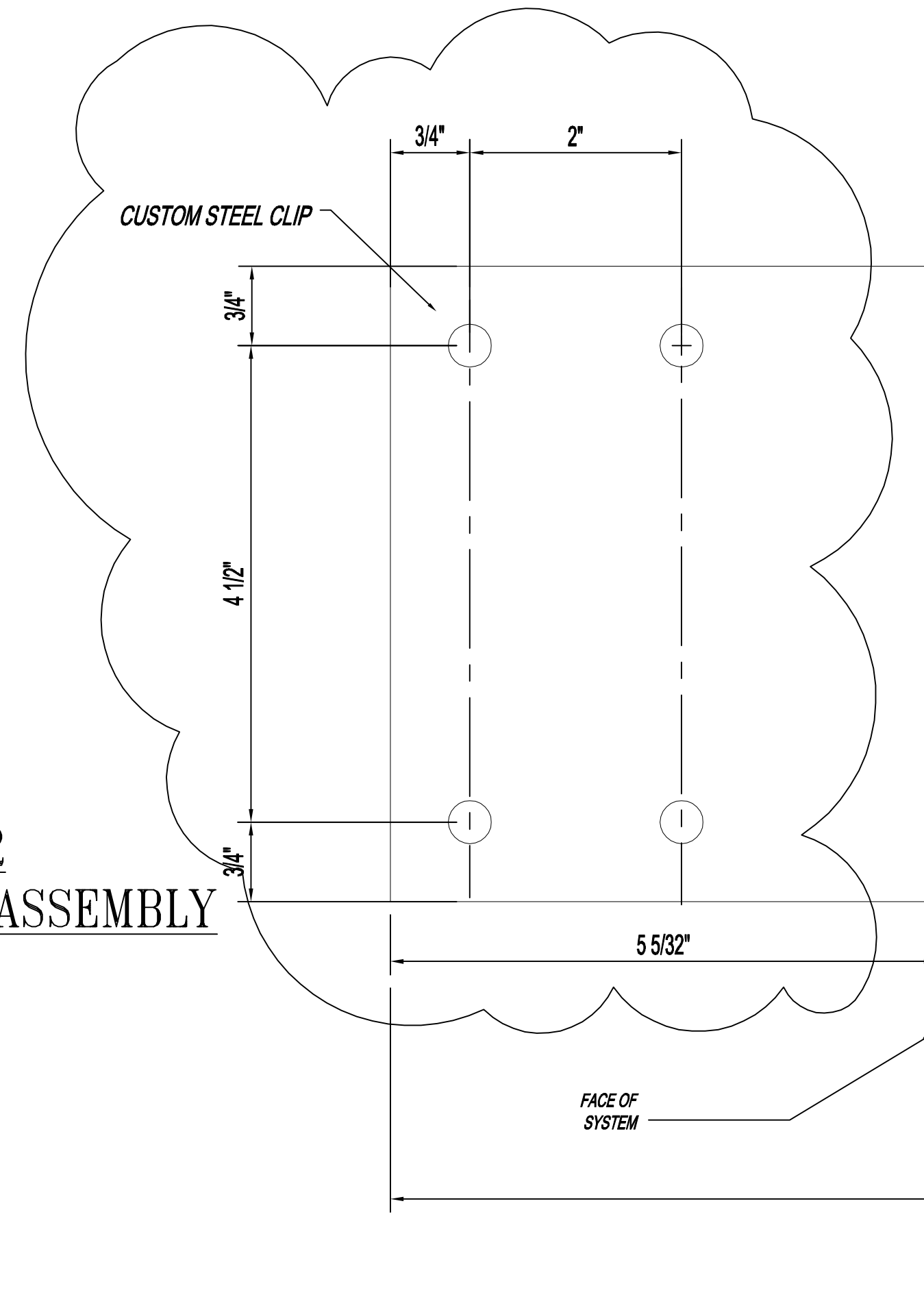


TYPICAL OUTRIGGER

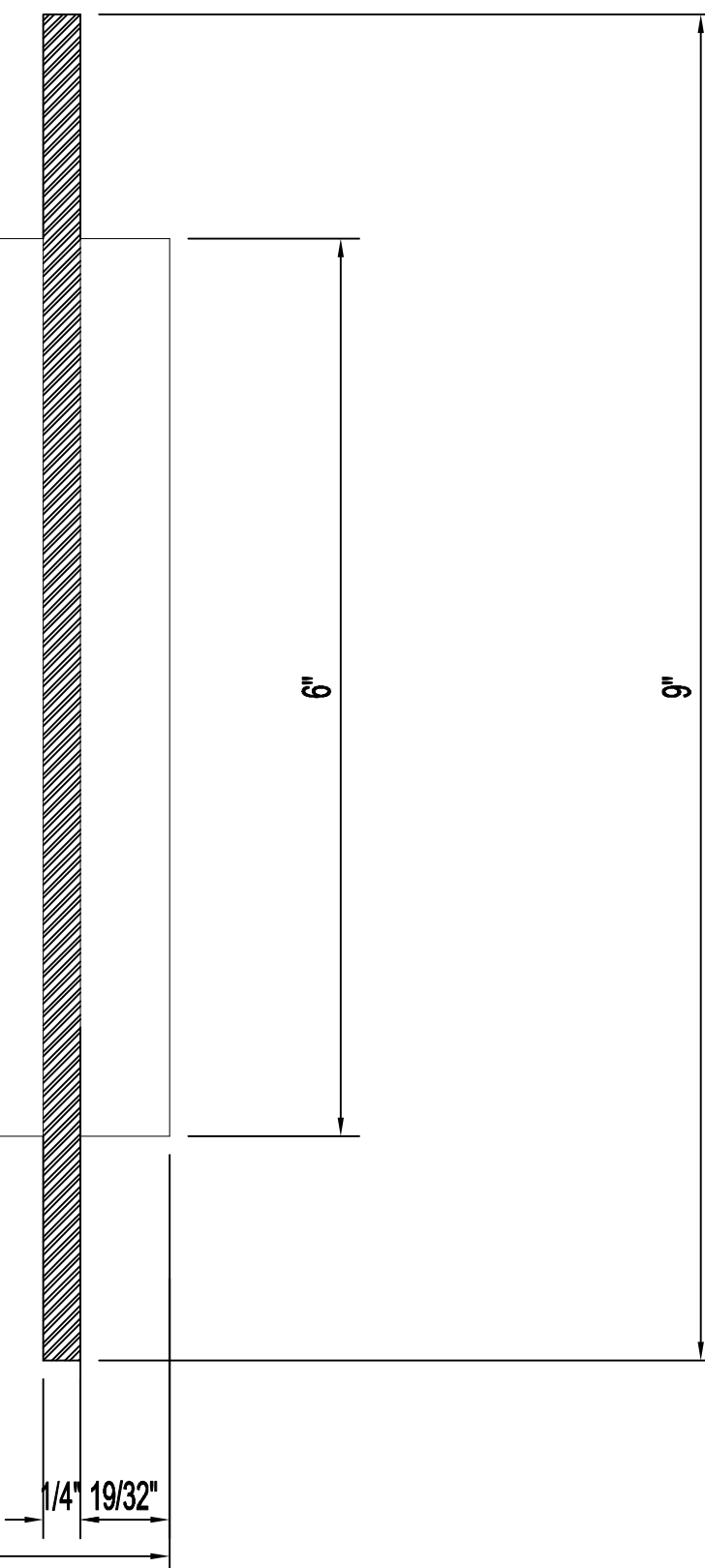
PROJECT:		PROJECT NAME AND ADDRESS	
DRAWN BY:		ARCHITECT:	
CCW	10/20/10	CUSTOMER:	
CHECKED BY:	DATE:	DRAWING SUBMISSION	
ST	10/20/10	NO	DESCRIPTION
JOB NO.:	FLEMING	2ND REV. (ENGINEER REVIEW)	3/17/11
SHEET NO.:	4.03	1ST. REVISION	2/1/11
		1ST. SUBMISSION	10/20/10
			DATE



TOP VIEW



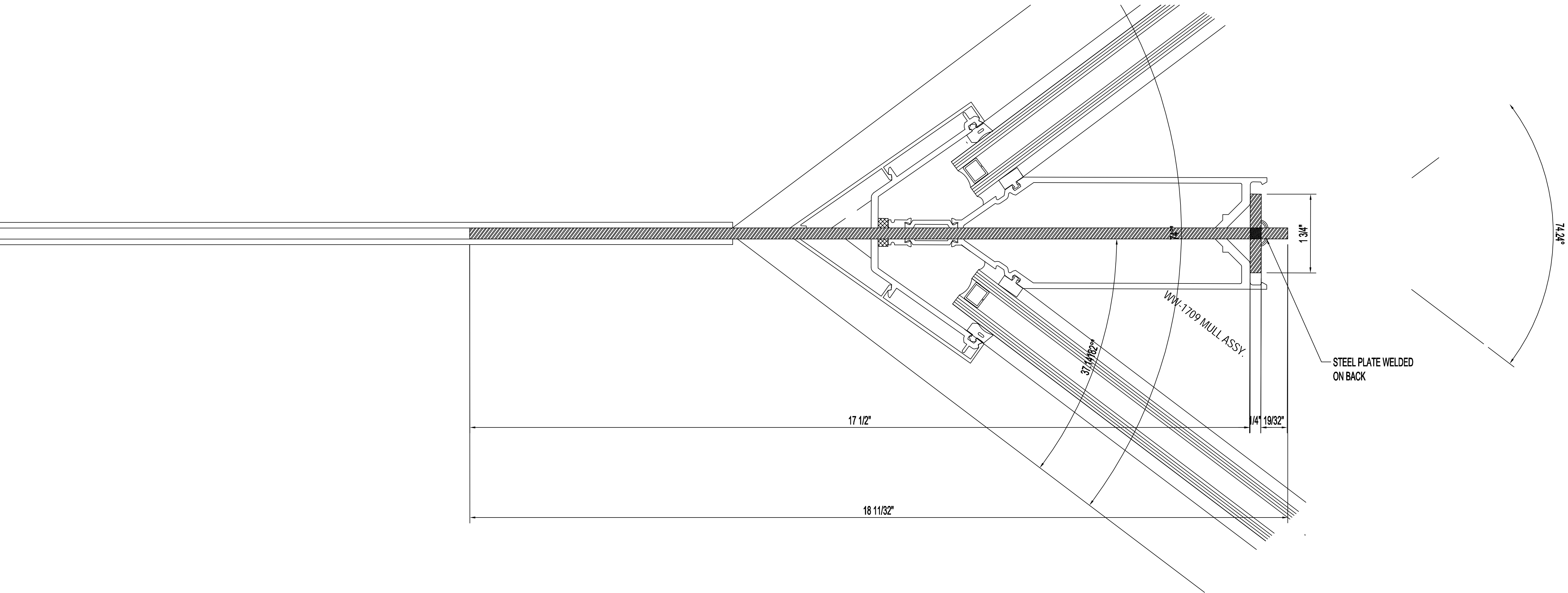
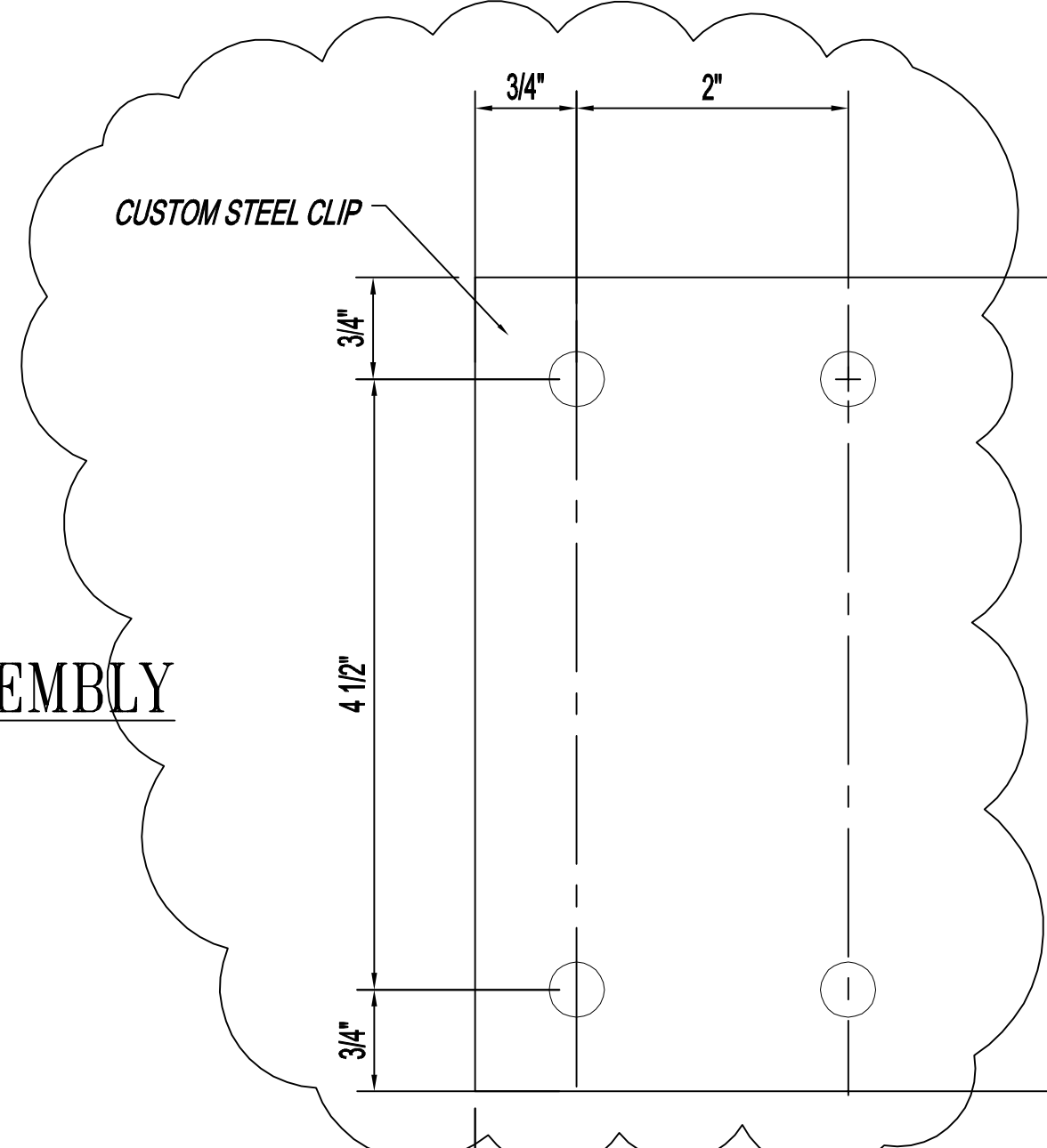
90° CORNER MOUNTING ASSEMBLY



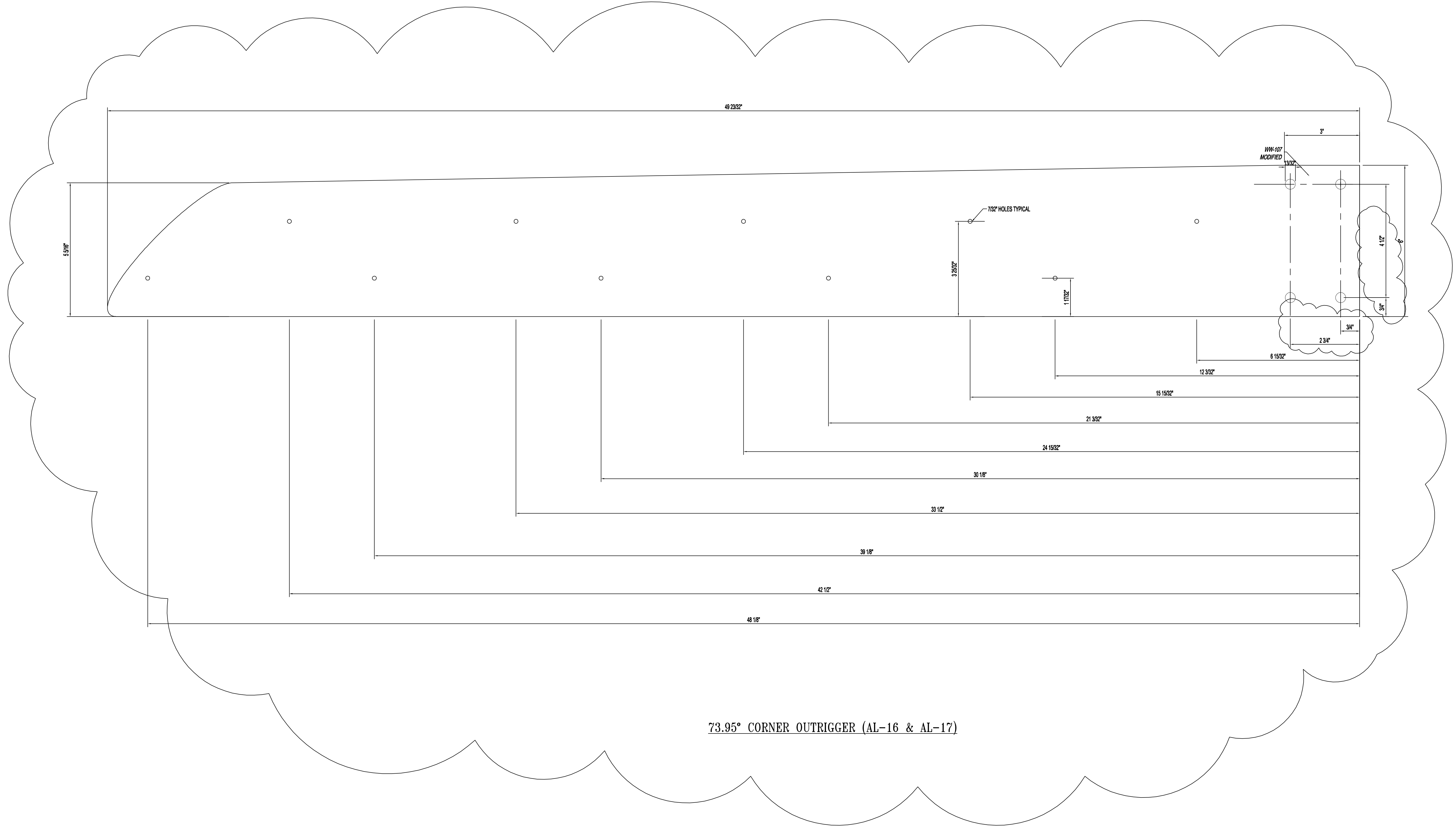
SIDE VIEW

PROJECT:		PROJECT NAME AND ADDRESS	
DRAWN BY:		CUSTOMER NAME AND ADDRESS	
CCW	DATE:	CUSTOMER NAME AND ADDRESS	
	10/20/10		
CHECKED BY:	DATE:	CUSTOMER NAME AND ADDRESS	
ST	10/20/10		
JOB NO.:		CUSTOMER NAME AND ADDRESS	
FLEMING			
SHEET NO.:		CUSTOMER NAME AND ADDRESS	
4.04			
2ND REV. (ENGINEER REVIEW)		3/17/11	DATE
1ST. REVISION		2/1/11	DATE
1ST. SUBMISSION		10/20/10	DATE
NO		DESCRIPTION	DRAWING SUBMISSION

**74° CORNER
MOUNTING ASSEMBLY**



PROJECT:		PROJECT NAME AND ADDRESS	
DRAWN BY:		ARCHITECT:	
CCW	10/20/10	CUSTOMER:	
CHECKED BY:	DATE:	DRAWING SUBMISSION	
ST	10/20/10	NO	DESCRIPTION
JOB NO.:	FLEMING	2ND REV. (ENGINEER REVIEW)	3/17/11
SHEET NO.:	4.06	1ST. REVISION	2/1/11
		1ST. SUBMISSION	10/20/10
			DATE



73.95° CORNER OUTRIGGER (AL-16 & AL-17)

PROJECT: PROJECT NAME AND ADDRESS		CUSTOMER NAME AND ADDRESS OR PROJECT NAME AND ADDRESS	
DRAWN BY: CCW	DATE: 10/20/10	ARCHITECT: ARCHITECT NAME AND ADDRESS	
CHECKED BY: ST	DATE: 10/20/10	CUSTOMER: CUSTOMER NAME AND ADDRESS	
JOB NO.: FLEMING		DRAWING SUBMISSION	
SHEET NO.: 4.07		NO	DATE
		2ND REV. (ENGINEER REVIEW)	3/17/11
		1ST. REVISION	2/1/11
		1ST. SUBMISSION	10/20/10