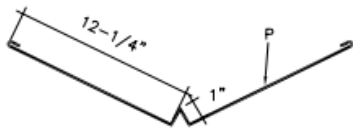
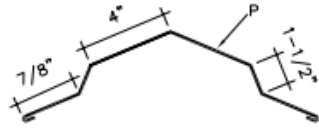
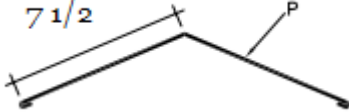
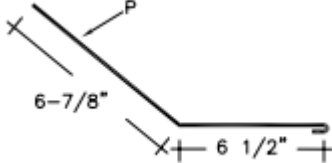
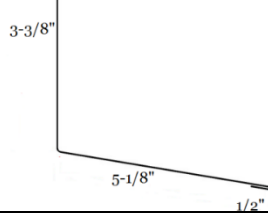
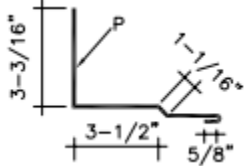
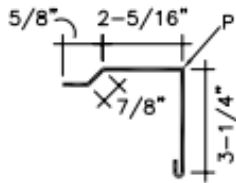
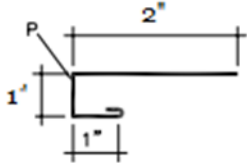
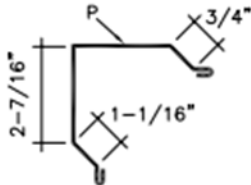
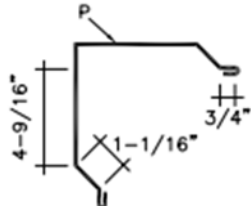
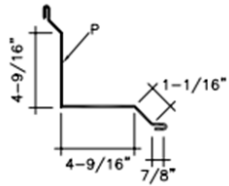
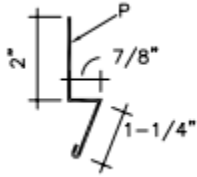


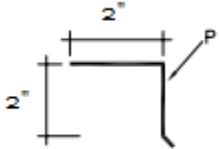
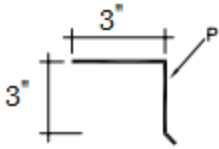
Trim Detail Order Form: All Trim comes in a 10' Length

# of PCS	Trim	Notes
	<p>Preformed Valley PV2</p> 	<p>Pitch:</p>
	<p>Ridge Cap RC2</p> 	
	<p>Ridge Cap RC6</p> 	
	<p>Transition Flashing TF1</p> 	<p>Pitch From and To:</p>
	<p>Endwall Flashing EW1</p> 	<p>Pitch:</p>
	<p>Sidewall Flashing SW1</p> 	

Trim Detail Order Form: All Trim comes in a 10' Length

# of PCS	Trim	Notes
	<p>Gable Rake GR4</p> 	
	<p>J-Channel JC1</p> 	
	<p>Corner Rake Trim CRT1</p> 	
	<p>Corner Rake Trim CRT2</p> 	
	<p>Inside Corner Trim</p> 	
	<p>Base Drip</p> 	

Trim Detail Order Form: All Trim comes in a 10' Length

# of PCS	Trim	Notes
	<p>Eave Drip EF2</p> 	
	<p>Eave Drip EF3</p> 	

Custom Trim: Drawings, Dimensions, and Paint Side are required

# of PCS	Trim