



**D Systems Residential Fire Pump**


R/DF2500U98-1/1/15

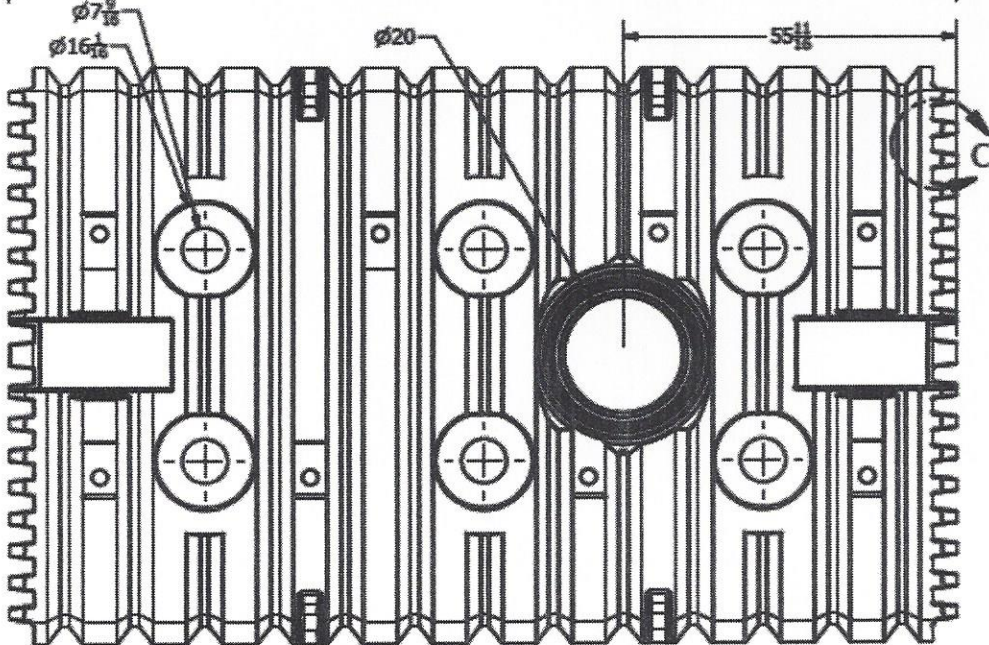
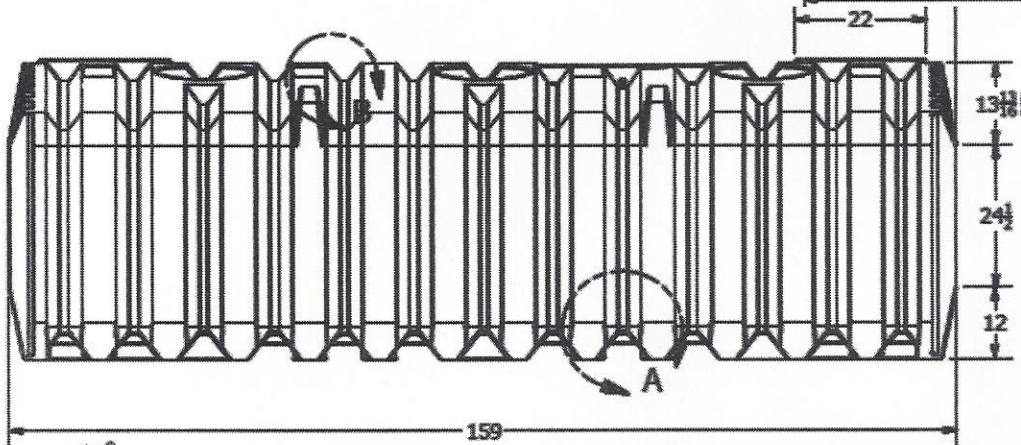
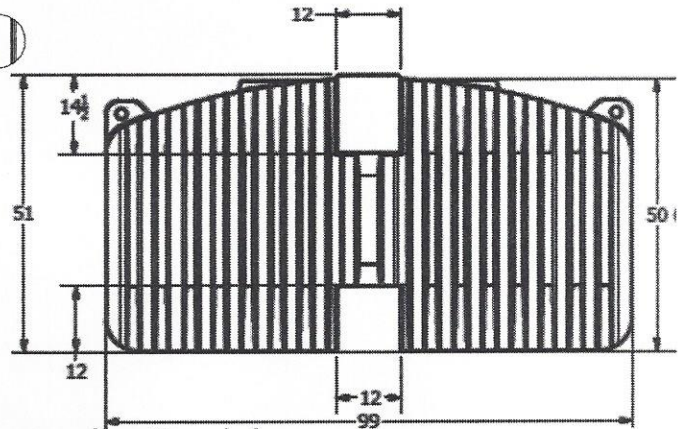
13D Compliant Tank Submittal Data -

2500g Plastic U98 Tank Package

**2500 Gallon Below Ground Tank**

**Model 2500g U98**

- Auto Fill Assembly Installed 
- Suction Tank Adapter Installed
- Overflow Tank Adapter Installed
- 1/4 turn Lid
- 98x158x51H



D Systems uses the largest capacity below ground storage tanks made today. Used to store water both potable and non-potable for a number of applications. The end ribs will accept fittings up to 4" in size. Integral columns in the tank give it excellent structural strength.