

CLEMSON FOOTBALL OPERATIONS (INTERIOR SUBMITTAL)

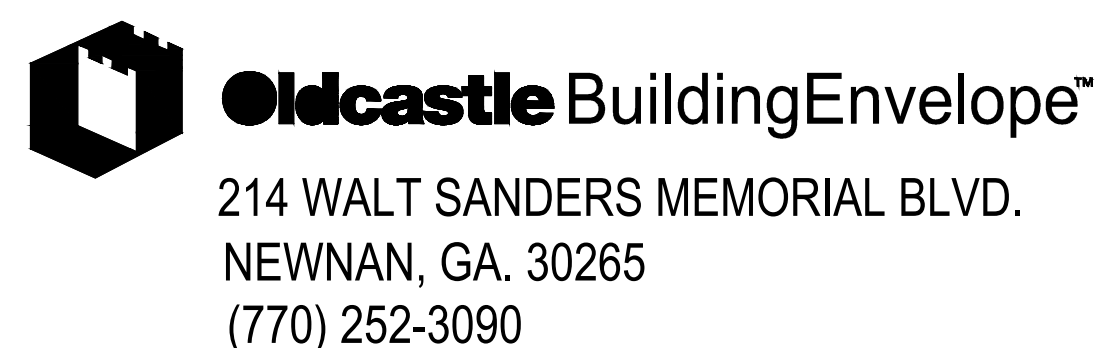
CLEMSON, SC

ALUMINUM STOREFRONT INSTALLER



25 LITTLEJOHN GLEN COURT
GREENVILLE, SC 29615
PH: 864-288-1272
FAX: 864-288-1279
WWW.GRAHAMHODGE.COM

STOREFRONT MANUFACTURER



214 WALT SANDERS MEMORIAL BLVD.
NEWNAN, GA. 30265
(770) 252-3090

ARCHITECT

GOODWYN, MILLS AND CAWOOD, INC.
101 EAST WAHINGTONSTEET
SUITE 200
GREENVILLE, SC 29604
P: 864.527.0460

DESIGN ARCHITECT

HOK
300 WEST 22ND STREET
KANSAS CITY, MO 64108
P: 816.472.3360

ABBREVIATIONS AND SYMBOLS

A/C = ACCESS CONTROLLED	N.I.C. = NOT IN CONTRACT
A.F.F. = ABOVE FINISHED FLOOR	N.T.S. = NOT TO SCALE
B.O.H. = BOTTOM OF HORIZONTAL	O.D. = OPENING DIMENSION
CL = CENTER LINE	O.F.D. = OVERALL FRAME DIMENSION
DIM. = DIMENSION	REF. = REFERENCE
D.L.O. = DAYLIGHT OPENING	R.O. = ROUGH OPENING
D.L. = DEAD LOAD (ANCHOR)	T.O.F.F. = TOP OF FINISHED FLOOR
D.O. = DOOR OPENING	T.O.H. = TOP OF HORIZONTAL
EL. = ELEVATION	T.O.S. = TOP OF SLAB
F.D. = FRAME DIMENSION	T.O.STL. = TOP OF STEEL
F.F. = FINISH FLOOR	U.N.O. = UNLESS NOTED OTHERWISE
G.C. = GENERAL CONTRACTOR	W.C. = WEB CENTER
M.O. = MASONRY OPENING	W.D. = WINDOW DIMENSION
M.L. = MULLION LENGTH	W.L. = WIND LOAD (ANCHOR)
HM = HOLLOW METAL BY OTHERS	W.P. = WORKING POINT

DRAWING SHEET INDEX	
PAGE #	DESCRIPTION
.01	COVER PAGE
.02	GLASS & FRAME SCHEDULES
.03	DOOR SCHEDULES
1.01 - 1.08	FLOOR PLANS
2.01 - 2.15	ELEVATIONS
3.01 - 3.05	DETAILS

- WORK POINT
- ANCHOR LOCATION
- GLASS TYPE
- DETAIL NUMBER --SHEET NUMBER
- WINDOW DESIGNATION
- DOOR DESIGNATION
- INDICATES ITEMS TO BE VERIFIED BY CUSTOMER.
- DETAIL MARK
- BACKER ROD & SEALANT
- DIMENSION LUMBER
- CUT STONE
- CONCRETE
- CONCRETE BLOCK
- BATT INSULATION
- STEEL IN SECTION

- SPECIAL NOTES:**
- SEE SEPARATE SAMPLES FOR GLASS MAKE UP.
 - ALL BLOCKING AND STRUCTURAL SUPPORT IS SUPPLIED AND INSTALLED BY SPW.
 - THE MAIN STRUCTURE MUST BE CAPABLE OF WITHSTANDING THE LOADS IMPOSED BY THE OLDCASTLE B.E. GLAZING SYSTEMS. STRUCTURE MUST PROVIDE SUITABLE ANCHORAGE FOR THESE GLAZING SYSTEMS. AND MUST BE ERRECTED WITH IN SPECIFIED BUILDING TOLERANCES.
 - ALL BRAKE METAL (IF SHOWN) IS TO MATCH WINDOW SYSTEM FINISH

DRAWINGS PREPARED BY:

CCW Drafting LLC.
Specializing in Commercial
Glazing Construction
608 Bryant Crossing Drive
West Union, SC 29696
(864)-718-3113 Office
(864)-723-3521 Cell
cworsencroft@gmail.com
www.ccwdrafting.com

DATE 05/16 17/2016
DESCRIPTION 1ST SUBMISSION 1ST REVISION
REV. A

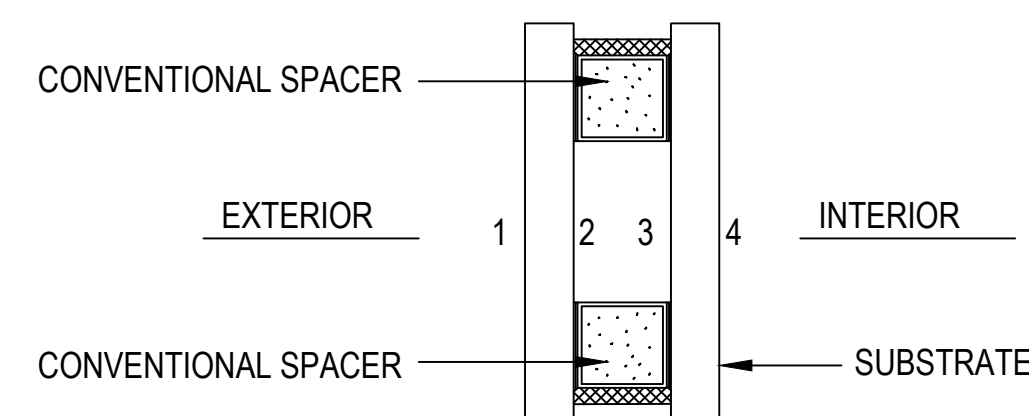
CLEMSON FOOTBALL OPERATIONS
(INTERIOR SUBMITTAL)
CLEMSON, SC

DRAWN BY GC	DATE 5/2/16
CHECKED BY COW	DATE 5/2/16
SCALE AS NOTED	FILE NO.
.01	

GLASS SCHEDULE

SYMBOL	DESCRIPTION (SEE SUBMITTALS)
GL-01	1/2" MONOLITHIC VISION GLASS - 1/2" CLEAR ANNEALED
GL-02	1/2" MONOLITHIC VISION GLASS - 1/2" CLEAR TEMPERED
GL-04	1" INSULATED VISION GLASS - 1/4" CLEAR ANNEALED - 1/2" AIR SPACE - 1/4" ANNEALED
GL-04T	1" INSULATED VISION GLASS - 1/4" CLEAR TEMPERED - 1/2" AIR SPACE - 1/4" TEMPERED
GL-05	1/2" MONOLITHIC VISION GLASS - 1/2" CLEAR LAMINATED
1/4	1/4" MONOLITHIC VISION GLASS - 1/4" CLEAR TEMPERED
3/4	3/4" MONOLITHIC VISION GLASS - 3/4" CLEAR TEMPERED
	GLASS NOTE: GLASS MAKEUP TO BE DETERMINED BY ARCHITECT

GLASS ILLUSTRATION

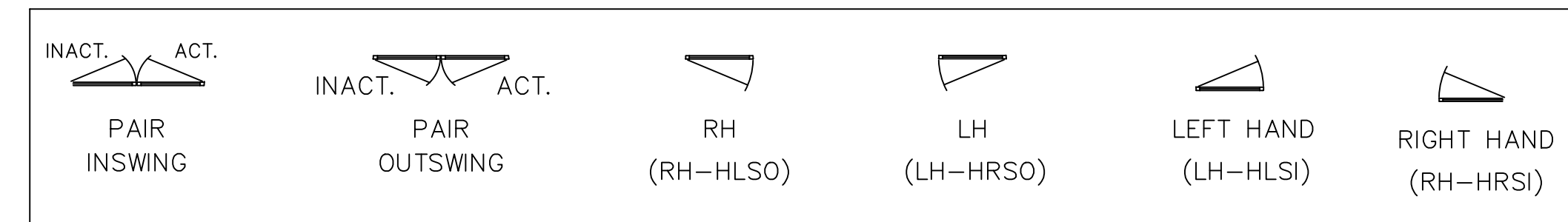


DOOR SCHEDULE - LEVEL 1

DOOR	DOOR OPENING SIZE	HARWDARE	HAND	FRAMING	FRAME TYPE	DOOR TYPE
102-1	3'-6" X 8'-0"	TBD	RH-HLSO	TRULITE	SF21a	ALL GLASS
102-2	3'-0" X 8'-0"	TBD	RH-HLSO	TRULITE	SF26a	ALL GLASS
104	3'-0" X 8'-0"	TBD	LH-HLSI	FG-3000	SF12a	ALUM/GLASS
114-1	6'-0" X 8'-0"	TBD	PRSO	FG-3000	SF15a	WOOD/GLASS
115-1	6'-0" X 8'-0"	TBD	PRSO	TRULITE	SF115-1	ALL GLASS
115-2	3'-0" X 8'-0"	TBD	LH-HRSO	TRULITE	SF115-2	ALL GLASS
115C	3'-0" X 7'-0"	TBD	LH-HLSI	FG-3000	SF1c	ALUM/GLASS
124A	3'-0" X 7'-0"	TBD	LH-HLSI	FG-3000	SF8a	ALUM/GLASS
124B	3'-0" X 7'-0"	TBD	RH-HRSI	FG-3000	SF2a-1	ALUM/GLASS
124C	3'-0" X 7'-0"	TBD	LH-HLSI	FG-3000	SF2a	ALUM/GLASS
124D	3'-0" X 7'-0"	TBD	RH-HRSI	FG-3000	SF2b	ALUM/GLASS
124E	3'-0" X 7'-0"	TBD	LH-HLSI	FG-3000	SF3a	ALUM/GLASS
125-1	3'-0" X 7'-0"	TBD	LH-HLSI	FG-3000	SF4a	ALUM/GLASS
125-2	3'-0" X 7'-0"	TBD	RH-HRSI	FG-3000	SF1b	ALUM/GLASS
127B3	3'-0" X 8'-0"	TBD	RH-HLSO	FG-3000	SF13a	ALUM/GLASS
170-1	6'-0" X 8'-0"	TBD	PRSO	RELIANCE	CW-3	ALUM/GLASS
170A	3'-0" X 7'-11 5/8"	TBD	LH-HLSI	FG-3000	SF16c	ALUM/GLASS
170B	3'-0" X 7'-11 5/8"	TBD	LH-HLSI	FG-3000	SF17a	ALUM/GLASS
170C	3'-0" X 7'-11 5/8"	TBD	RH-HRSI	FG-3000	SF17b	ALUM/GLASS
170D	3'-0" X 7'-11 5/8"	TBD	LH-HLSI	FG-3000	SF17a	ALUM/GLASS
170E	3'-0" X 7'-11 5/8"	TBD	RH-HRSI	FG-3000	SF17b	ALUM/GLASS
170F	3'-0" X 7'-11 5/8"	TBD	RH-HRSI	FG-3000	SF19a	ALUM/GLASS
170H	3'-0" X 7'-11 5/8"	TBD	LH-HLSI	FG-3000	SF16b	ALUM/GLASS
170J	3'-0" X 7'-11 5/8"	TBD	RH-HRSI	FG-3000	SF16a	ALUM/GLASS
E170C	6'-0" X 8'-0"	TBD	PRSO	RELIANCE	CW-BB	ALUM/GLASS

DOOR SCHEDULE - LEVEL 2

DOOR	DOOR OPENING SIZE	HARWDARE	HAND	FRAMING	FRAME TYPE	DOOR TYPE
200H2	3'-0" X 7'-0"	TBD	LH-HLSI	TRULITE	SF25b	ALL GLASS
200H3	6'-0" X 7'-0"	TBD	PRSO	TRULITE	SF23a	ALL GLASS
202	3'-0" X 7'-0"	TBD	RH-HRSI	TRULITE	SF25a	ALL GLASS
202B	3'-6" X 8'-0"	TBD	RH-HRSI	TRULITE	SF28a	ALL GLASS
211-2	3'-0" X 7'-0"	TBD	LH-HLSI	FG-3000	SF3c	ALUM/GLASS
215-1	3'-0" X 7'-0"	TBD	LH-HLSI	FG-3000	SF2c	ALUM/GLASS
217A	3'-0" X 7'-0"	TBD	LH-HLSI	FG-3000	SF1a	ALUM/GLASS
238	3'-0" X 7'-0"	TBD	LH-HLSI	TRULITE	SF22a	ALL GLASS
242	3'-0" X 7'-0"	TBD	LH-HRSO	TRULITE	SF22b	ALL GLASS

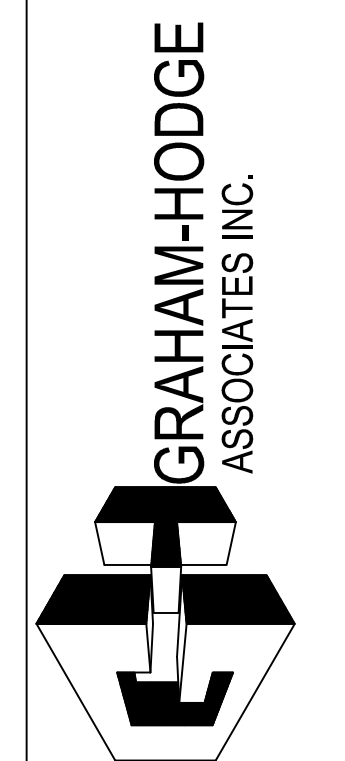


DOOR NOTES:

- 1) ALUMINUM STOREFRONT DOORS ARE OLDCASTLE BE WIDE STILE WITH 6 1/2" TOP RAIL & 10" BOTTOM RAIL TO ACCEPT 1/4" GLASS.
- 2) WOOD DOORS ARE SUPPLIED AND INSTALLED BY OTHERS. GRAHAM HODGE WILL PREP FRAMES ONLY FOR HINGES AND STRIKES.
- 3) GRAHAM HODGE WILL SUPPLY AND INSTALL THE GLASS FOR WOOD DOORS.
- 4) SEE GRAHAM HODGE'S SEPARATE SUBMITTAL FOR DOOR HARDWARE.

DATE	5/2/16
DESCRIPTION	1ST SUBMISSION
REV.	

CLEMSON FOOTBALL OPERATIONS
 (INTERIOR SUBMITTAL)
 CLEMSON, SC



DRAWN BY:	GL	DATE:	5/2/16
APPROVED BY:	CCW	DATE:	5/2/16
SCALE:	AS NOTED	FILE NO:	

.02

CURTAINWALL / STOREFRONT WINDOW SYSTEM SCHEDULE

WINDOW	FRAMING SYSTEM	DOOR(S)	GLAZING	QUANTITY
⊕CW-BB	OLDCASTLE B.E. RELIANCE - 2 1/2" X 7 1/4" CURTAINWALL FRONT SET TO ACCEPT 1" GLASS	E170C	GL-04 GL-04	1
⊕CW-1	OLDCASTLE B.E. RELIANCE - 2 1/2" X 7 1/4" CURTAINWALL FRONT SET TO ACCEPT 1" GLASS		GL-04 GL-04	1
⊕CW-2	OLDCASTLE B.E. RELIANCE - 2 1/2" X 7 1/4" CURTAINWALL FRONT SET TO ACCEPT 1" GLASS		GL-04 GL-04	1
⊕CW-3	OLDCASTLE B.E. RELIANCE - 2 1/2" X 7 1/4" CURTAINWALL FRONT SET TO ACCEPT 1" GLASS	170-1	GL-04 GL-04	1
⊕CW-4	OLDCASTLE B.E. RELIANCE - 2 1/2" X 7 1/4" CURTAINWALL FRONT SET TO ACCEPT 1" GLASS		GL-04 GL-04	1
⊕SF1a	OLDCASTLE B.E. FG-3000 - 2" X 4 1/2" STOREFRONT CENTER SET TO ACCEPT 1/2" GLASS (WITH ADAPTERS)	217A	GL-01 GL-02 1/4	1
⊕SF1b	OLDCASTLE B.E. FG-3000 - 2" X 4 1/2" STOREFRONT CENTER SET TO ACCEPT 1/2" GLASS (WITH ADAPTERS)	125-2	GL-01 GL-02 1/4	1
⊕SF1c	OLDCASTLE B.E. FG-3000 - 2" X 4 1/2" STOREFRONT CENTER SET TO ACCEPT 1/2" GLASS (WITH ADAPTERS)	115C	GL-01 GL-02 1/4	1
⊕SF2a	OLDCASTLE B.E. FG-3000 - 2" X 4 1/2" STOREFRONT CENTER SET TO ACCEPT 1/2" GLASS (WITH ADAPTERS)	124C	GL-01 GL-02 1/4	1
⊕SF2a-1	OLDCASTLE B.E. FG-3000 - 2" X 4 1/2" STOREFRONT CENTER SET TO ACCEPT 1/2" GLASS (WITH ADAPTERS)	124B	GL-01 GL-02 1/4	1
⊕SF2b	OLDCASTLE B.E. FG-3000 - 2" X 4 1/2" STOREFRONT CENTER SET TO ACCEPT 1/2" GLASS (WITH ADAPTERS)	124D	GL-01 GL-02 1/4	1
⊕SF2c	OLDCASTLE B.E. FG-3000 - 2" X 4 1/2" STOREFRONT CENTER SET TO ACCEPT 1/2" GLASS (WITH ADAPTERS)	215-1	GL-01 GL-02 1/4	1
⊕SF3a	OLDCASTLE B.E. FG-3000 - 2" X 4 1/2" STOREFRONT CENTER SET TO ACCEPT 1/2" GLASS (WITH ADAPTERS)	124E	GL-01 GL-02 1/4	1
⊕SF3c	OLDCASTLE B.E. FG-3000 - 2" X 4 1/2" STOREFRONT CENTER SET TO ACCEPT 1/2" GLASS (WITH ADAPTERS)	211-2	GL-01 GL-02 1/4	1
⊕SF4a	OLDCASTLE B.E. FG-3000 - 2" X 4 1/2" STOREFRONT CENTER SET TO ACCEPT 1/2" GLASS (WITH ADAPTERS)	125-1	GL-01 GL-02 1/4	1
⊕SF5a	OLDCASTLE B.E. FG-3000 - 2" X 4 1/2" STOREFRONT CENTER SET TO ACCEPT 1/2" GLASS (WITH ADAPTERS)		GL-02	1
⊕SF6a	OLDCASTLE B.E. FG-3000 - 2" X 4 1/2" STOREFRONT CENTER SET TO ACCEPT 1/2" GLASS (WITH ADAPTERS)		GL-02	1
⊕SF7a	OLDCASTLE B.E. FG-3000 - 2" X 4 1/2" STOREFRONT CENTER SET TO ACCEPT 1/2" GLASS (WITH ADAPTERS)		GL-02	1
⊕SF8a	OLDCASTLE B.E. FG-3000 - 2" X 4 1/2" STOREFRONT CENTER SET TO ACCEPT 1/2" GLASS (WITH ADAPTERS)	124A	GL-01 GL-02 1/4	1
⊕SF9a	OLDCASTLE B.E. FG-3000 - 2" X 4 1/2" STOREFRONT CENTER SET TO ACCEPT 1/2" GLASS (WITH ADAPTERS)		GL-02	1
⊕SF9a-1	OLDCASTLE B.E. FG-3000 - 2" X 4 1/2" STOREFRONT CENTER SET TO ACCEPT 1/2" GLASS (WITH ADAPTERS)		GL-02	1
⊕SF9b	OLDCASTLE B.E. FG-3000 - 2" X 4 1/2" STOREFRONT CENTER SET TO ACCEPT 1/2" GLASS (WITH ADAPTERS)		GL-02	1
⊕SF10a	OLDCASTLE B.E. FG-3000 - 2" X 4 1/2" STOREFRONT CENTER SET TO ACCEPT 1/2" GLASS (WITH ADAPTERS)		GL-01	1
⊕SF12a	OLDCASTLE B.E. FG-3000 - 2" X 4 1/2" STOREFRONT CENTER SET TO ACCEPT 1/2" GLASS (WITH ADAPTERS)	104	GL-01 GL-02 1/4	1
⊕SF13a	OLDCASTLE B.E. FG-3000 - 2" X 4 1/2" STOREFRONT CENTER SET TO ACCEPT 1/2" GLASS (WITH ADAPTERS)	127B3	GL-01 GL-02 1/4	1
⊕SF14a	OLDCASTLE B.E. FG-3000 - 2" X 4 1/2" STOREFRONT CENTER SET TO ACCEPT 1/2" GLASS (WITH ADAPTERS)		GL-02	2
⊕SF14b	OLDCASTLE B.E. FG-3000 - 2" X 4 1/2" STOREFRONT CENTER SET TO ACCEPT 1/2" GLASS (WITH ADAPTERS)		GL-02	1
⊕SF15a	OLDCASTLE B.E. FG-3000 - 2" X 4 1/2" STOREFRONT CENTER SET TO ACCEPT 1/2" GLASS (WITH ADAPTERS)	114-1	GL-01 GL-02 1/4	1
⊕SF16a	OLDCASTLE B.E. FG-3000 - 2" X 4 1/2" STOREFRONT CENTER SET TO ACCEPT 1/2" GLASS (WITH ADAPTERS)	170J	GL-02	1
⊕SF16b	OLDCASTLE B.E. FG-3000 - 2" X 4 1/2" STOREFRONT CENTER SET TO ACCEPT 1/2" GLASS (WITH ADAPTERS)	170H	GL-02	1
⊕SF16c	OLDCASTLE B.E. FG-3000 - 2" X 4 1/2" STOREFRONT CENTER SET TO ACCEPT 1/2" GLASS (WITH ADAPTERS)	170A	GL-02	1
⊕SF17a	OLDCASTLE B.E. FG-3000 - 2" X 4 1/2" STOREFRONT CENTER SET TO ACCEPT 1/2" GLASS (WITH ADAPTERS)	170B 170D	GL-02	2
⊕SF17b	OLDCASTLE B.E. FG-3000 - 2" X 4 1/2" STOREFRONT CENTER SET TO ACCEPT 1/2" GLASS (WITH ADAPTERS)	170C 170E	GL-02	2
⊕SF19a	OLDCASTLE B.E. FG-3000 - 2" X 4 1/2" STOREFRONT CENTER SET TO ACCEPT 1/2" GLASS (WITH ADAPTERS)	170F	GL-02	1

**CURTAINWALL / STOREFRONT FRAMING FINISH:
CLEAR ANODIZED**

ALL GLASS ENTRY / SIDELITE SYSTEM SCHEDULE

WINDOW	FRAMING SYSTEM	DOOR(S)	GLAZING	QUANTITY
⊕F20a	TRULITE ALL GLASS ENTRY / SIDELITES TO ACCEPT 1/2" GLASS		GL-02	1
⊕F21a	TRULITE ALL GLASS ENTRY / SIDELITES TO ACCEPT 1/2" GLASS	102-1	GL-02	1
⊕F22a	TRULITE ALL GLASS ENTRY / SIDELITES TO ACCEPT 1/2" GLASS	125D	GL-02	1
⊕F22b	TRULITE ALL GLASS ENTRY / SIDELITES TO ACCEPT 1/2" GLASS	242	GL-02	1
⊕F23a	TRULITE ALL GLASS ENTRY / SIDELITES TO ACCEPT 1/2" GLASS	200H3	GL-02	1
⊕F24a	TRULITE ALL GLASS ENTRY / SIDELITES TO ACCEPT 1/2" GLASS		GL-02	1
⊕F25a	TRULITE ALL GLASS ENTRY / SIDELITES TO ACCEPT 1/2" GLASS	202	GL-02	1
⊕F25b	TRULITE ALL GLASS ENTRY / SIDELITES TO ACCEPT 1/2" GLASS	200H2	GL-02	1
⊕F26a	TRULITE ALL GLASS ENTRY / SIDELITES TO ACCEPT 1/2" GLASS	102-2	GL-02	1
⊕F27a	TRULITE ALL GLASS ENTRY / SIDELITES TO ACCEPT 1/2" GLASS		GL-02	3
⊕F28a	TRULITE ALL GLASS ENTRY / SIDELITES TO ACCEPT 1/2" GLASS	202B	GL-02	1
⊕F30a	TRULITE ALL GLASS ENTRY / SIDELITES TO ACCEPT 3/4" GLASS		3/4	1
⊕F115-1	TRULITE ALL GLASS ENTRY / SIDELITES TO ACCEPT 1/2" GLASS	115-1	GL-02	1
⊕F115-2	TRULITE ALL GLASS ENTRY / SIDELITES TO ACCEPT 1/2" GLASS	115-2	GL-02	1

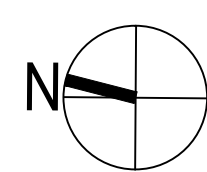
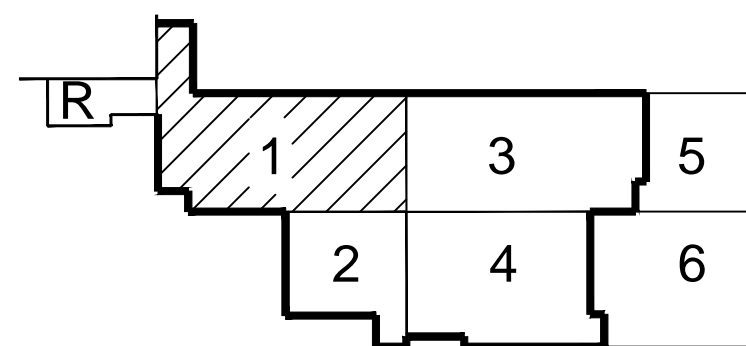
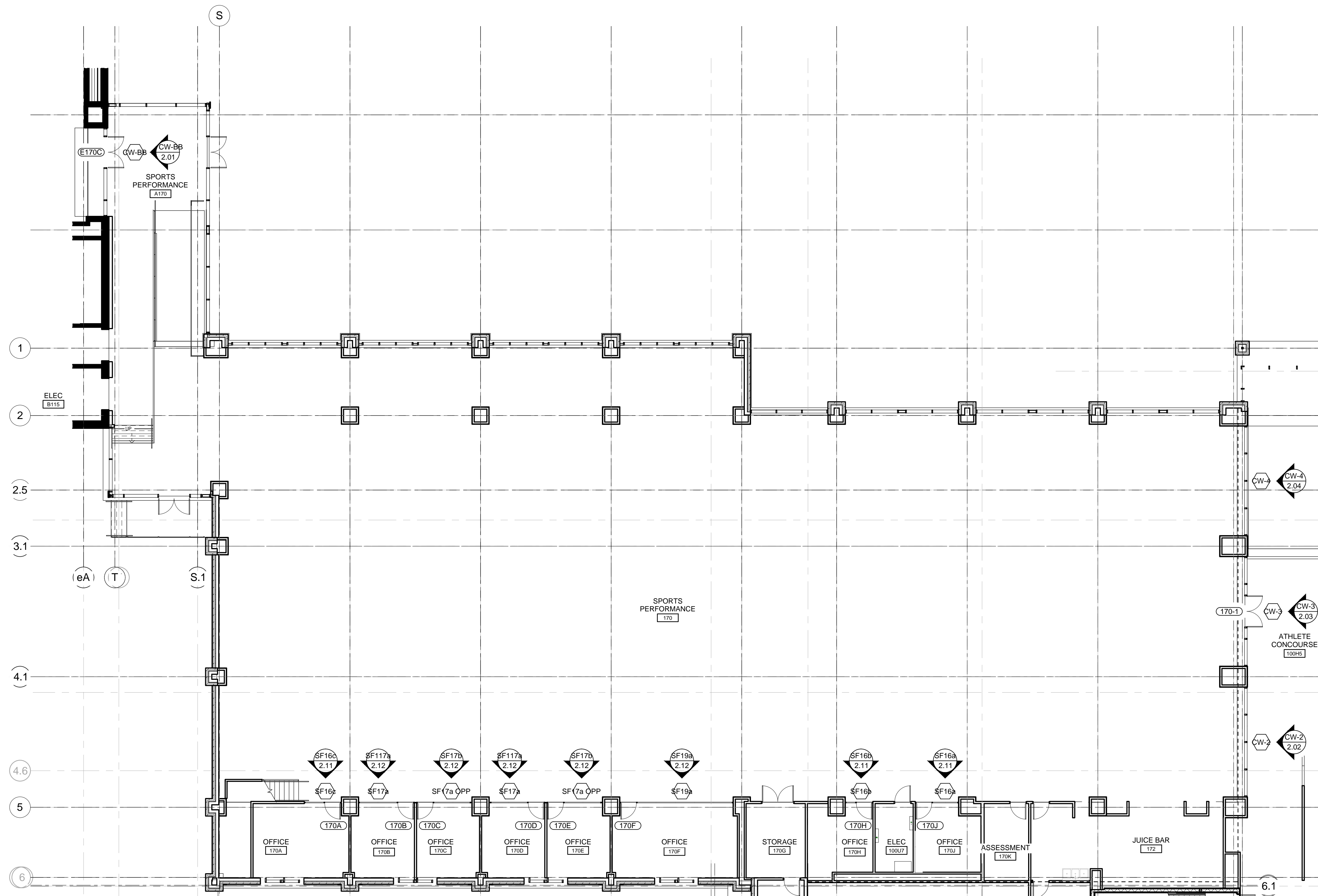
**ALL GLASS ENTRY / SIDELITE FRAMING FINISH:
TO BE DETERMINED**

DATE	5/2/16
DESCRIPTION	1ST SUBMISSION 1ST REVISION
REV.	▲

**CLEMSON FOOTBALL OPERATIONS
(INTERIOR SUBMITTAL)
CLEMSON, SC**



DRAWN BY	GL	DATE	5/2/16
APPROVED BY	CCW	DATE	5/2/16
SCALE	AS NOTED		
FILE NO			



FLOOR PLAN - LEVEL 1 - SECTOR 1

NTS

ARCHITECTURAL REFERENCE: A201-1

ARCH / G.C. NOTE:

FLOOR PLANS ARE PROVIDED FOR OPENING TYPE LOCATION ONLY. REFER TO SPECIFIC MARK ELEVATIONS FOR SIZE REFERENCE DIMENSIONING, MULLION SPACING, ETC.

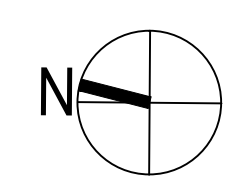
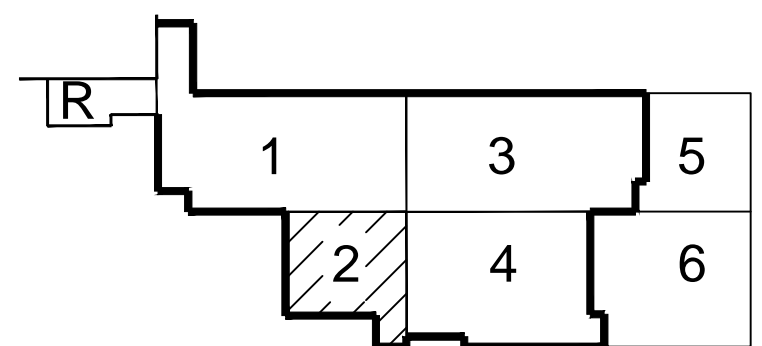
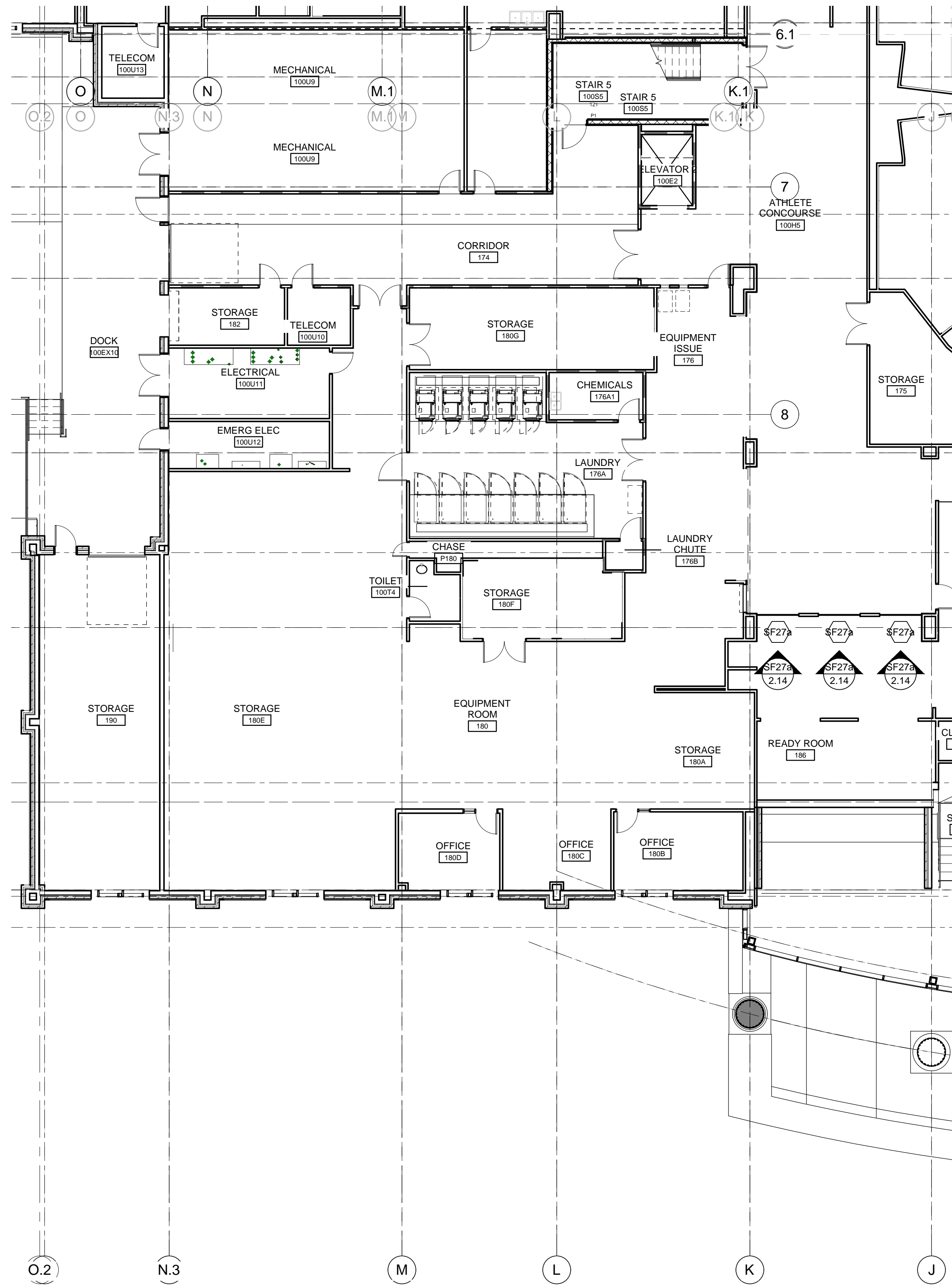
DATE	5/2/16
DESCRIPTION	1ST SUBMISSION 1ST REVISION
REV.	▲

CLEMSON FOOTBALL OPERATIONS
(INTERIOR SUBMITTAL)
CLEMSON, SC



DRAWN BY	DATE
GL	5/2/16
APPROVED BY	SITE
CCV	5/2/16
SCALE	AS NOTED
FILE NO.	

1.01



FLOOR PLAN - LEVEL 1 - SECTOR 2

NTS ARCHITECTURAL REFERENCE: A201-2

ARCH / G.C. NOTE:

FLOOR PLANS ARE PROVIDED FOR OPENING TYPE LOCATION ONLY. REFER TO SPECIFIC MARK ELEVATIONS FOR SIZE REFERENCE DIMENSIONING, MULLION SPACING, ETC.

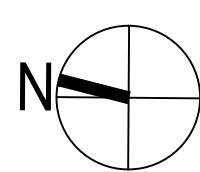
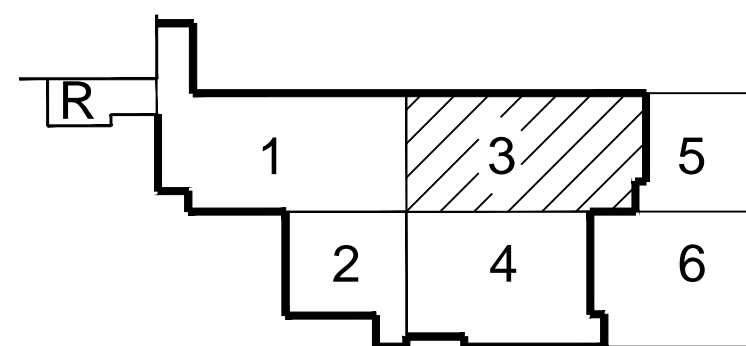
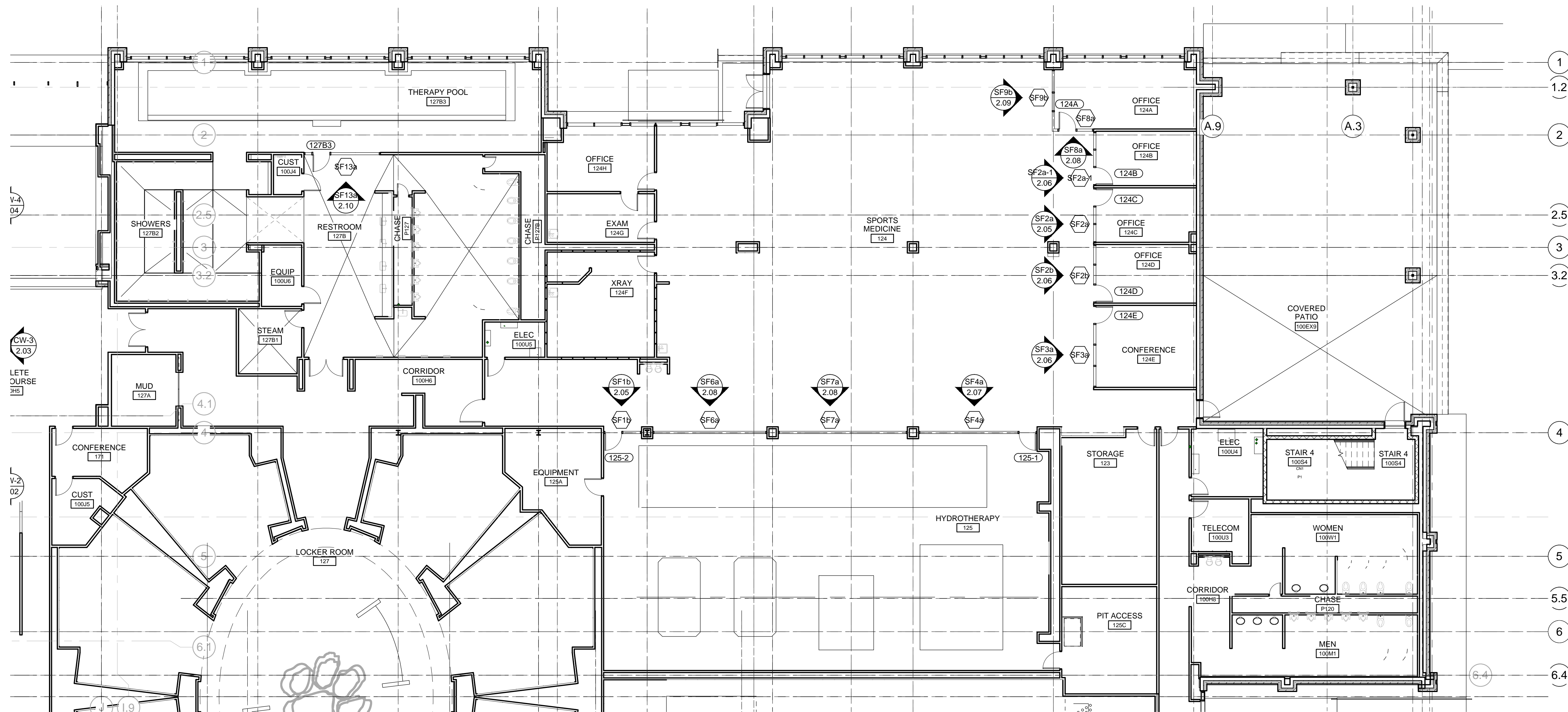
DATE	5/2/16
DESCRIPTION	1ST SUBMISSION 1ST REVISION
REV.	▲

CLEMSON FOOTBALL OPERATIONS
(INTERIOR SUBMITTAL)
CLEMSON, SC



DRAWN BY	GL	DATE	5/2/16
APPROVED BY	CCV	DATE	5/2/16
SCALE	AS NOTED		
FILE NO.			

1.02



FLOOR PLAN - LEVEL 1 - SECTOR 3

NTS

ARCHITECTURAL REFERENCE: A201-3

ARCH / G.C. NOTE:

FLOOR PLANS ARE PROVIDED FOR OPENING TYPE LOCATION ONLY. REFER TO SPECIFIC MARK ELEVATIONS FOR SIZE REFERENCE DIMENSIONING, MULLION SPACING, ETC.

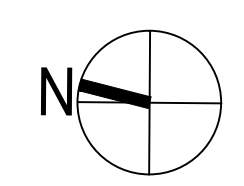
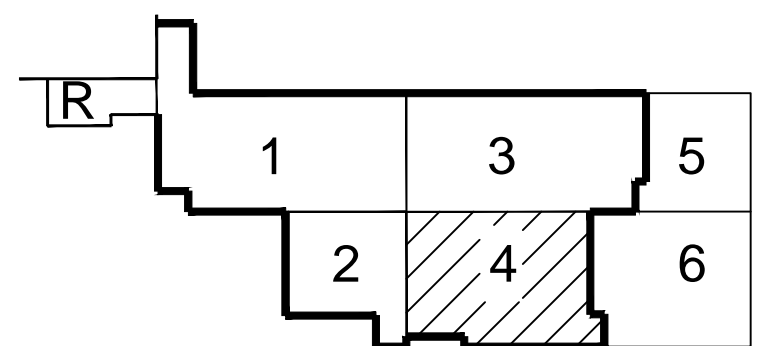
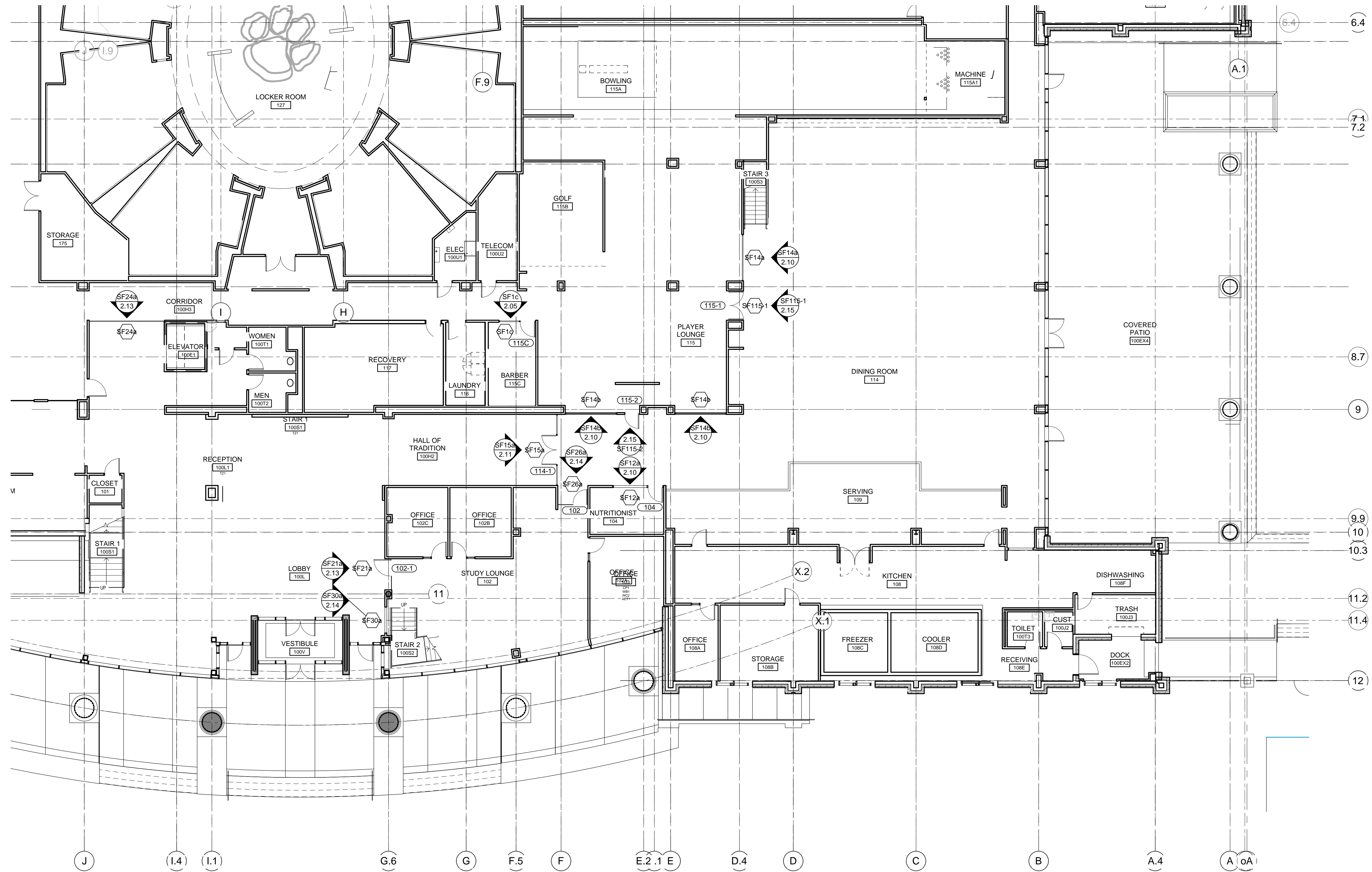
DATE	5/2/16
DESCRIPTION	1ST SUBMISSION 1ST REVISION
REV.	▲

**CLEMSON FOOTBALL OPERATIONS
(INTERIOR SUBMITTAL)
CLEMSON, SC**



DRAWN BY:	DATE
GL	5/2/16
APPROVED BY:	SITE
CCV	5/2/16
SCALE:	AS NOTED
FILE NO.	

1.03



FLOOR PLAN - LEVEL 1 - SECTOR 4

NTS ARCHITECTURAL REFERENCE: A201-4

ARCH / G.C. NOTE:

FLOOR PLANS ARE PROVIDED FOR OPENING TYPE LOCATION ONLY. REFER TO SPECIFIC MARK ELEVATIONS FOR SIZE REFERENCE DIMENSIONING, MULLION SPACING, ETC.

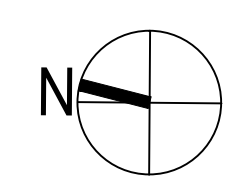
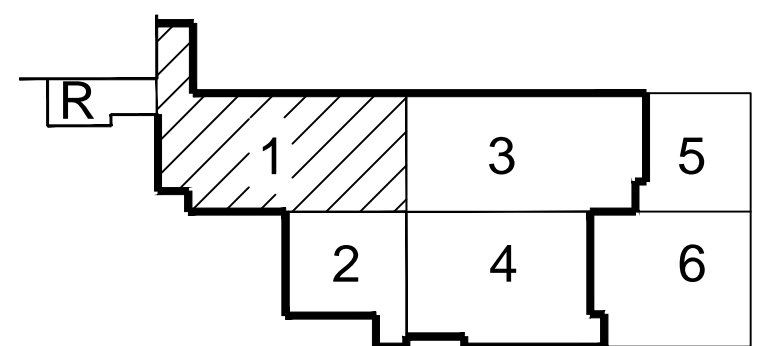
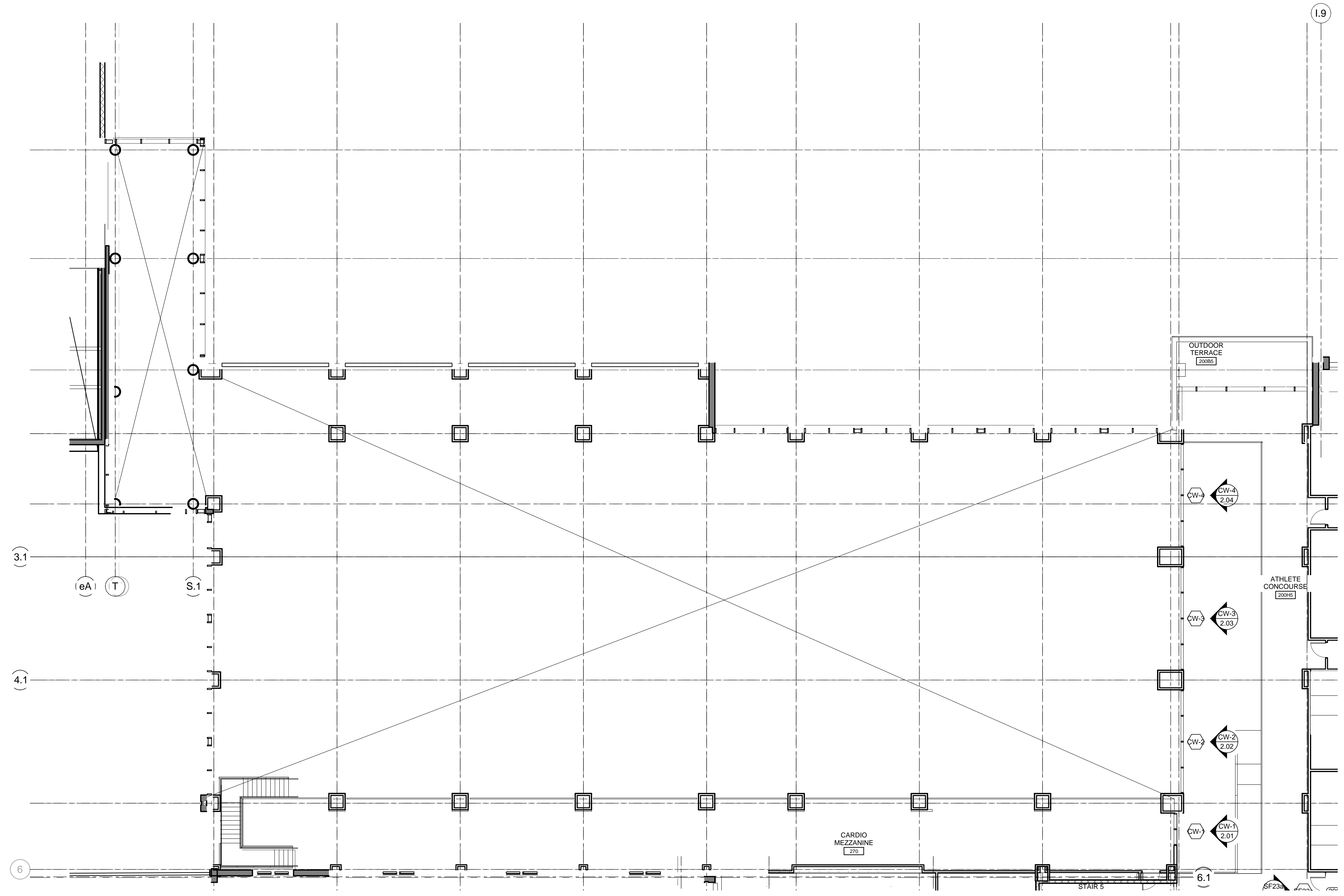
DATE	5/2/16
DESCRIPTION	1ST SUBMISSION
REV.	

CLEMSON FOOTBALL OPERATIONS
(INTERIOR SUBMITTAL)
CLEMSON, SC

GRAHAM-HODGE
ASSOCIATES INC.

DRAWN BY	DATE
GL	5/2/16
APPROVED BY	SHEET
CCV	5/2/16
SCALE	FILE NO
AS NOTED	

1.04



FLOOR PLAN - LEVEL 2 - SECTOR 1

NTS ARCHITECTURAL REFERENCE: A201-1

ARCH / G.C. NOTE:

FLOOR PLANS ARE PROVIDED FOR OPENING TYPE LOCATION ONLY. REFER TO SPECIFIC MARK ELEVATIONS FOR SIZE REFERENCE DIMENSIONING, MULLION SPACING, ETC.

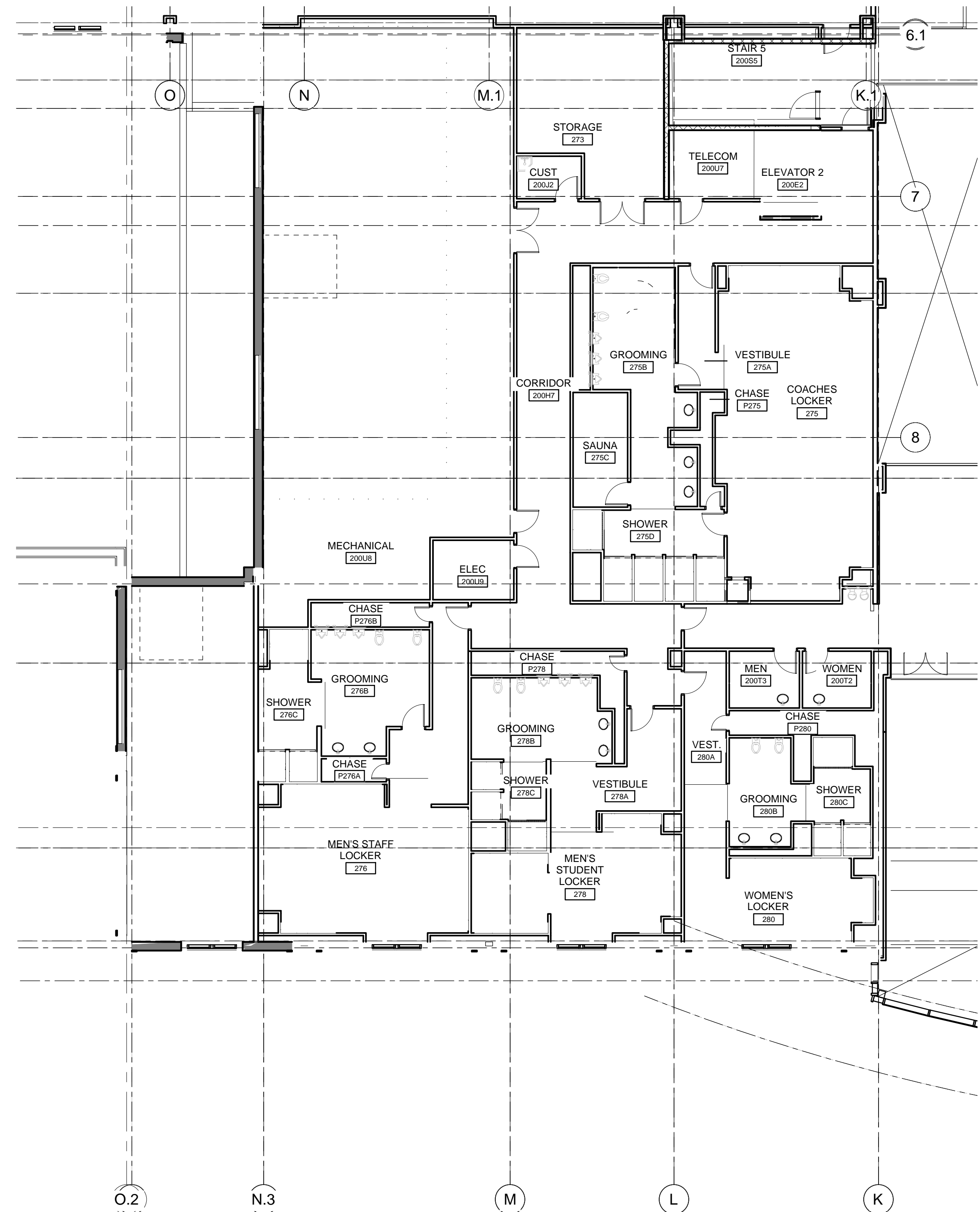
REV.	DATE	DESCRIPTION
1	5/2/16	1ST SUBMISSION
2	7/20/16	1ST REVISION

CLEMSON FOOTBALL OPERATIONS
(INTERIOR SUBMITTAL)
CLEMSON, SC

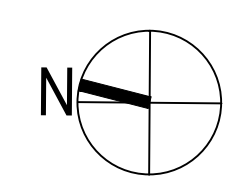
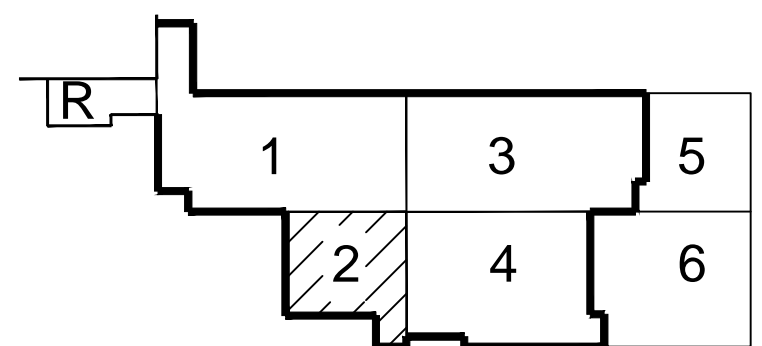
GRAHAM-HODGE
ASSOCIATES INC.

DRAWN BY: GL	DATE: 5/2/16
APPROVED BY: CCV	DATE: 5/2/16
SCALE: AS NOTED	FILE NO:

1.05



NO WORK THIS AREA



FLOOR PLAN - LEVEL 2 - SECTOR 2

NTS ARCHITECTURAL REFERENCE: A202-2

ARCH / G.C. NOTE:

FLOOR PLANS ARE PROVIDED FOR OPENING TYPE LOCATION ONLY. REFER TO SPECIFIC MARK ELEVATIONS FOR SIZE REFERENCE DIMENSIONING, MULLION SPACING, ETC.

DATE	5/2/16
DESCRIPTION	1ST SUBMISSION
REV.	▲

CLEMSON FOOTBALL OPERATIONS
 (INTERIOR SUBMITTAL)
 CLEMSON, SC

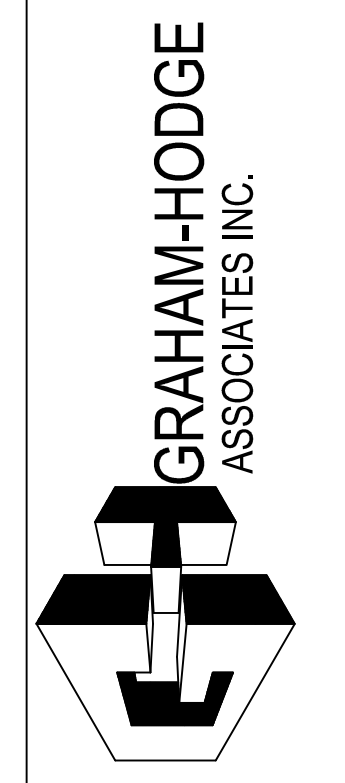


DRAWN BY	DATE
GL	5/2/16
APPROVED BY	SHEET
CCV	5/2/16
SCALE	FILE NO.
AS NOTED	

1.06

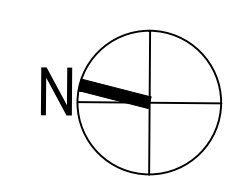
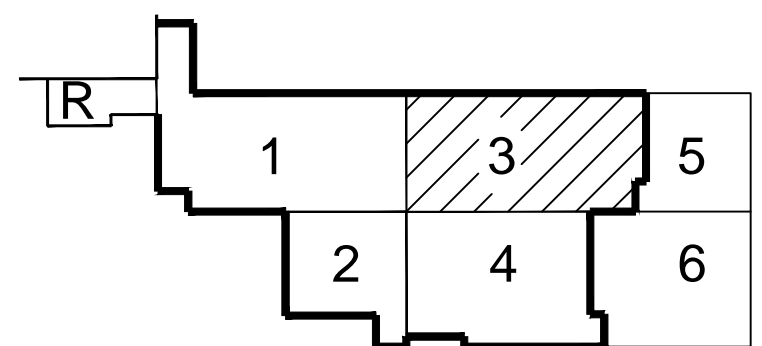
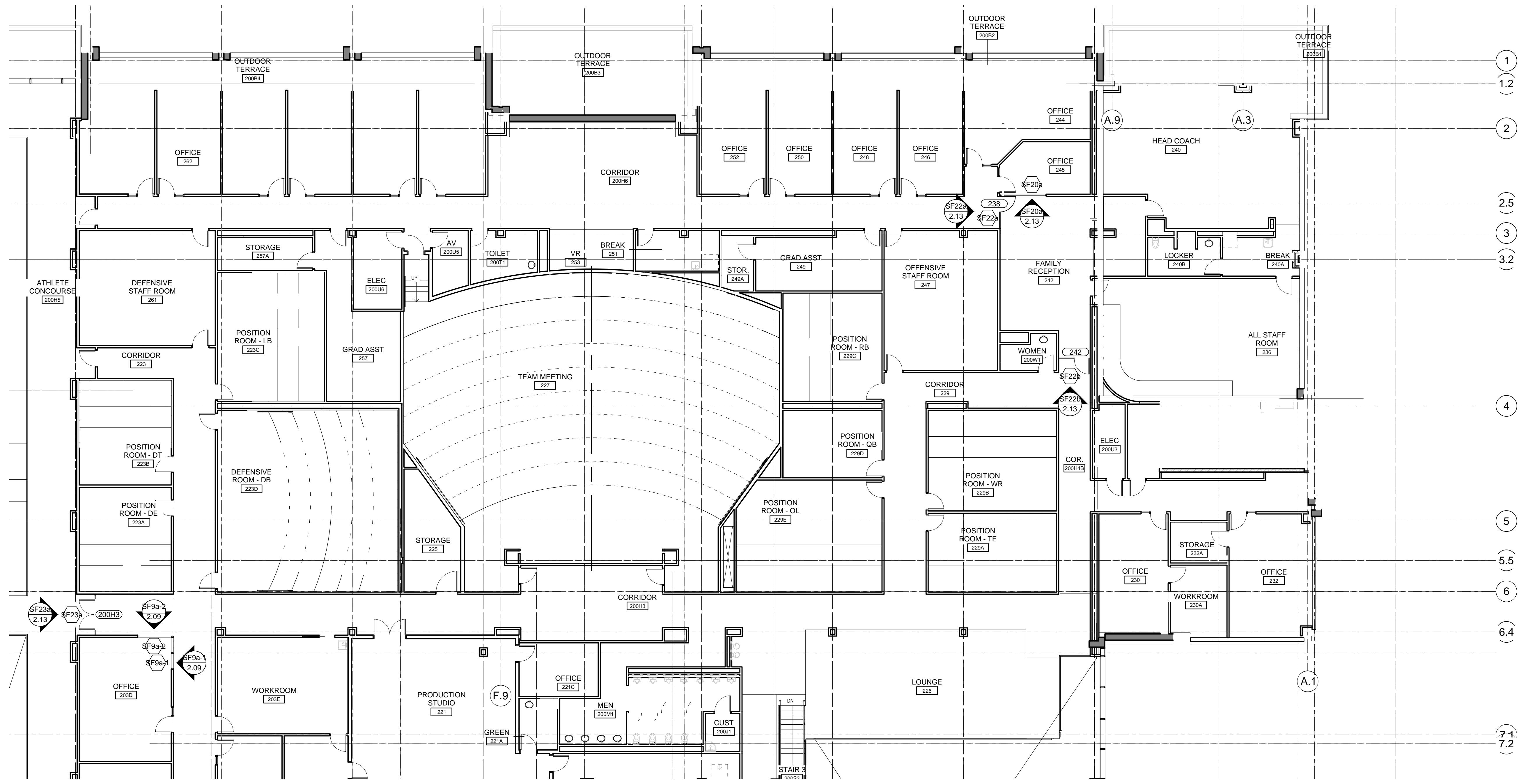
DATE	5/2/16
DESCRIPTION	1ST SUBMISSION 1ST REVISION
REV.	▲

CLEMSON FOOTBALL OPERATIONS
(INTERIOR SUBMITTAL)
CLEMSON, SC



DRAWN BY	DATE
GL	5/2/16
APPROVED BY	SITE
CCV	5/2/16
SCALE	AS NOTED
FILE NO.	

1.07

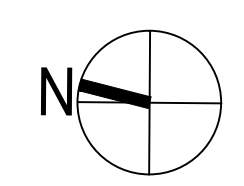
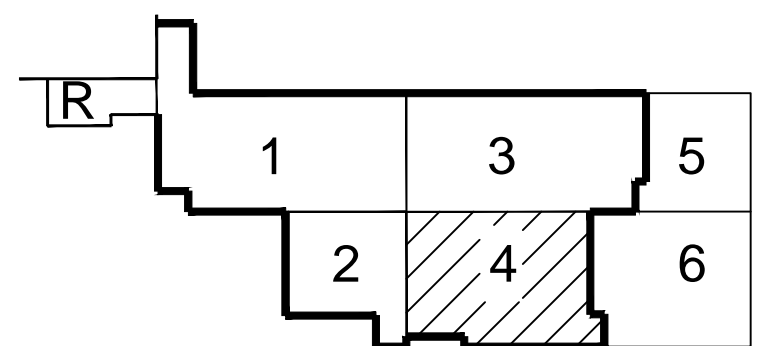
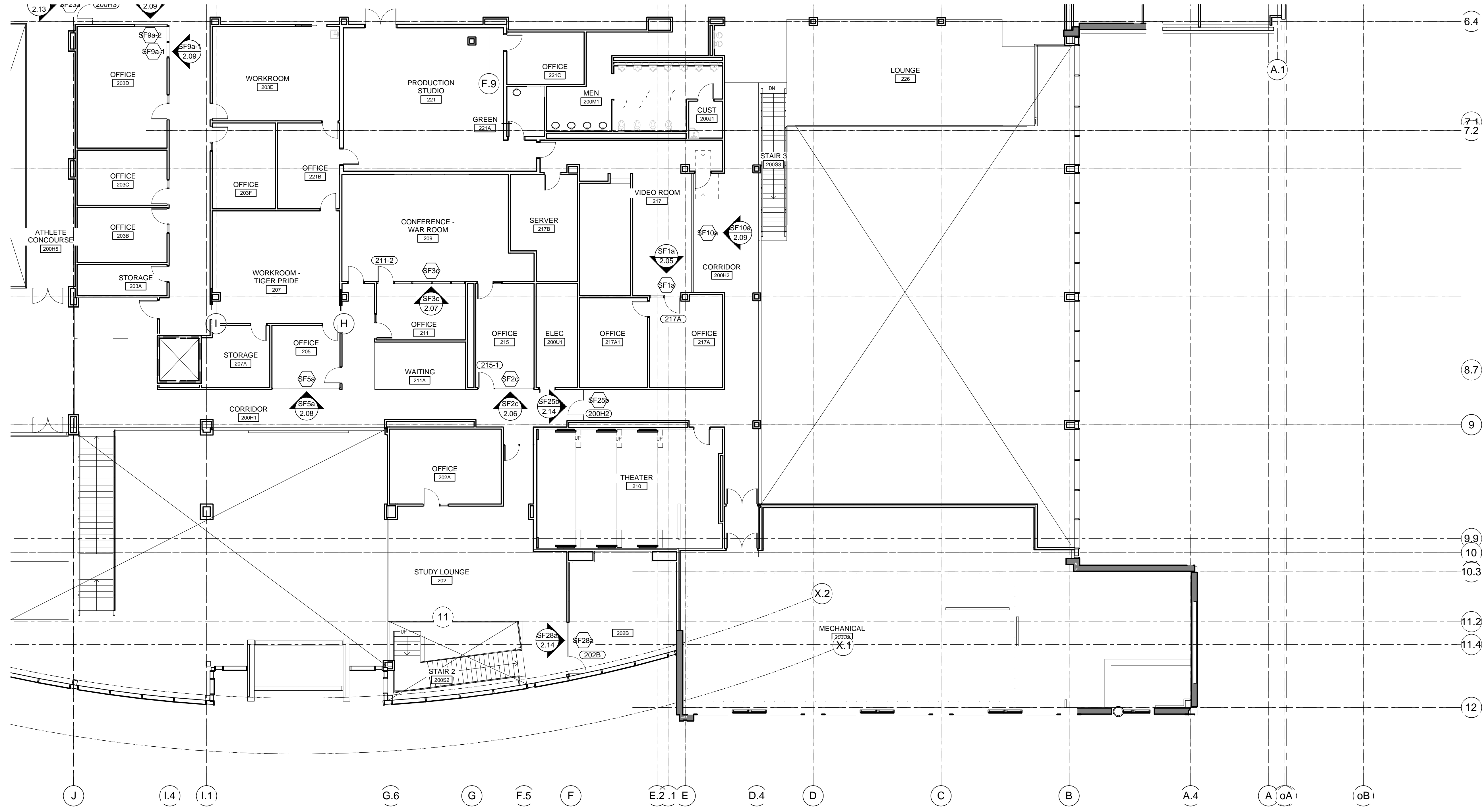


FLOOR PLAN - LEVEL 2 - SECTOR 3

NTS ARCHITECTURAL REFERENCE: AE202-3

ARCH / G.C. NOTE:

FLOOR PLANS ARE PROVIDED FOR OPENING TYPE LOCATION ONLY. REFER TO SPECIFIC MARK ELEVATIONS FOR SIZE REFERENCE DIMENSIONING, MULLION SPACING, ETC.



FLOOR PLAN - LEVEL 2 - SECTOR 4

NTS ARCHITECTURAL REFERENCE: A202-4

ARCH / G.C. NOTE:

FLOOR PLANS ARE PROVIDED FOR OPENING TYPE LOCATION ONLY. REFER TO SPECIFIC MARK ELEVATIONS FOR SIZE REFERENCE DIMENSIONING, MULLION SPACING, ETC.

DATE	5/2/16
DESCRIPTION	1ST SUBMISSION 1ST REVISION
REV.	▲

CLEMSON FOOTBALL OPERATIONS
 (INTERIOR SUBMITTAL)
 CLEMSON, SC

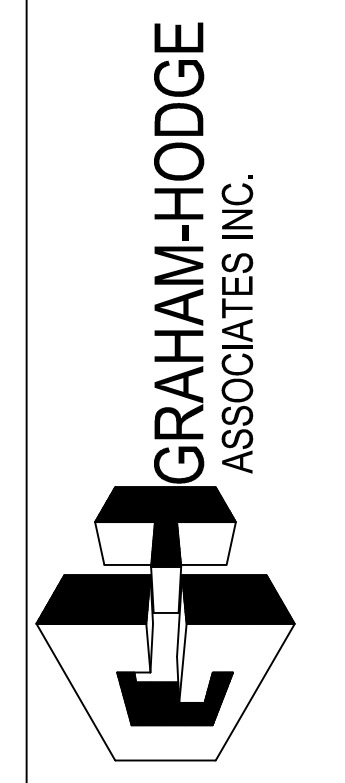


DRAWN BY	GL	DATE	5/2/16
APPROVED BY	CCV	DATE	5/2/16
SCALE	AS NOTED		
FILE NO.			

1.08

DATE	05/16 2016
DESCRIPTION	1ST SUBMISSION 1ST REVISION
REV.	▲

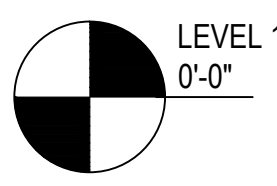
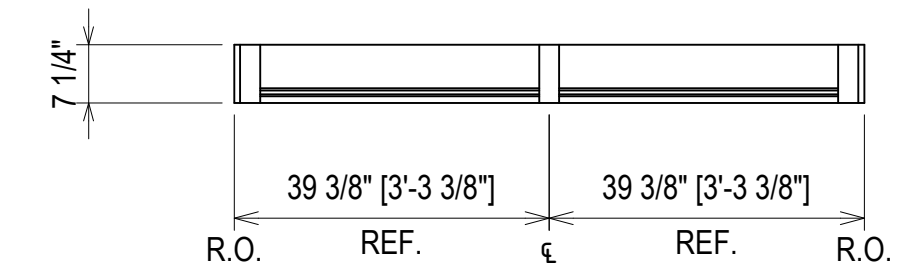
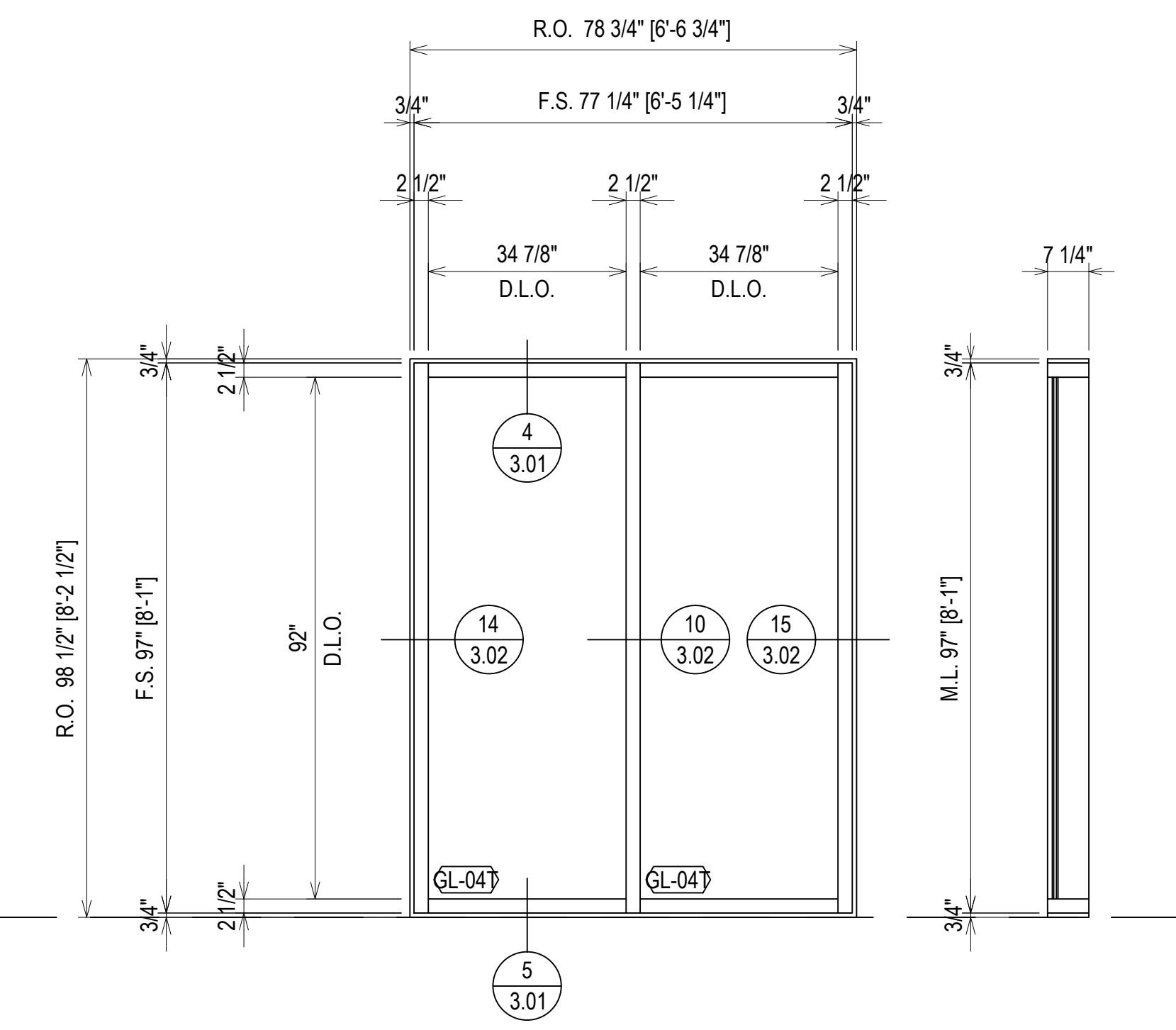
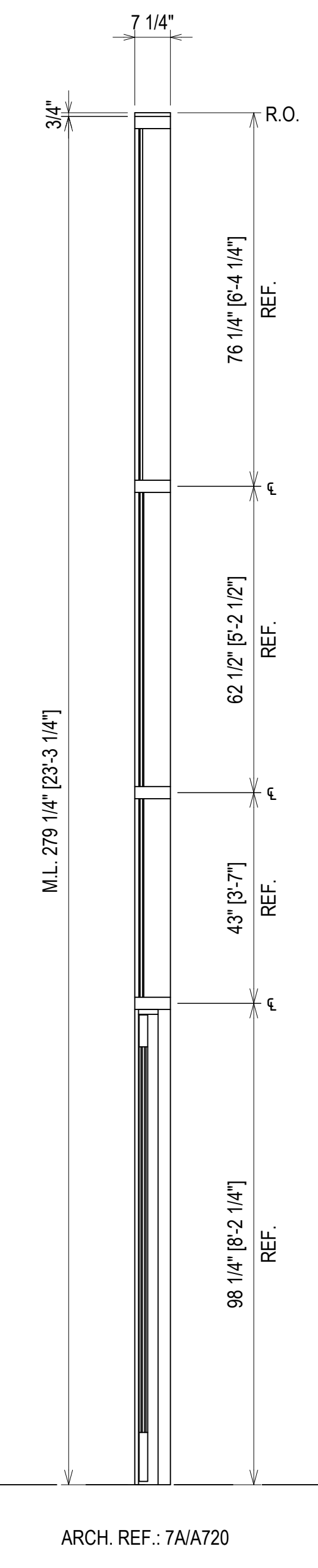
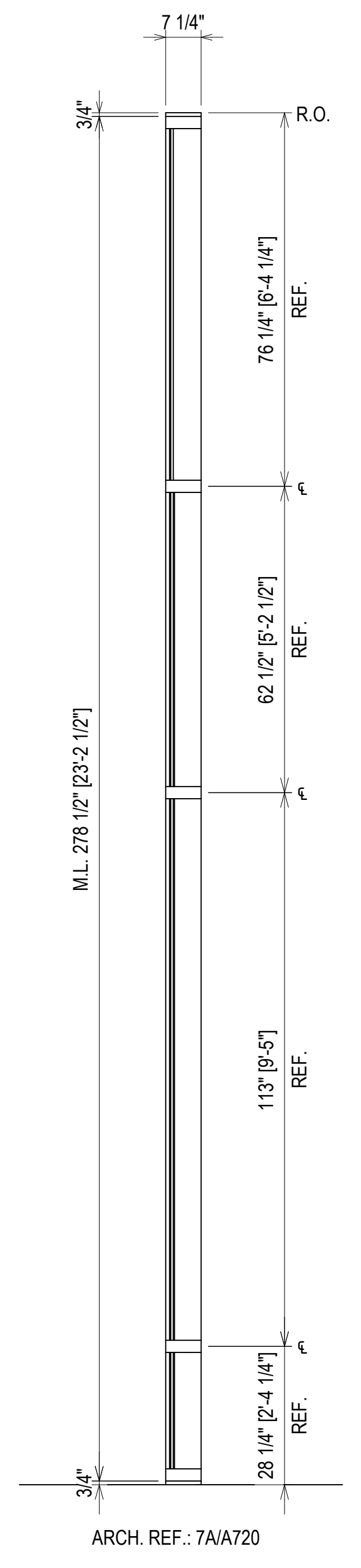
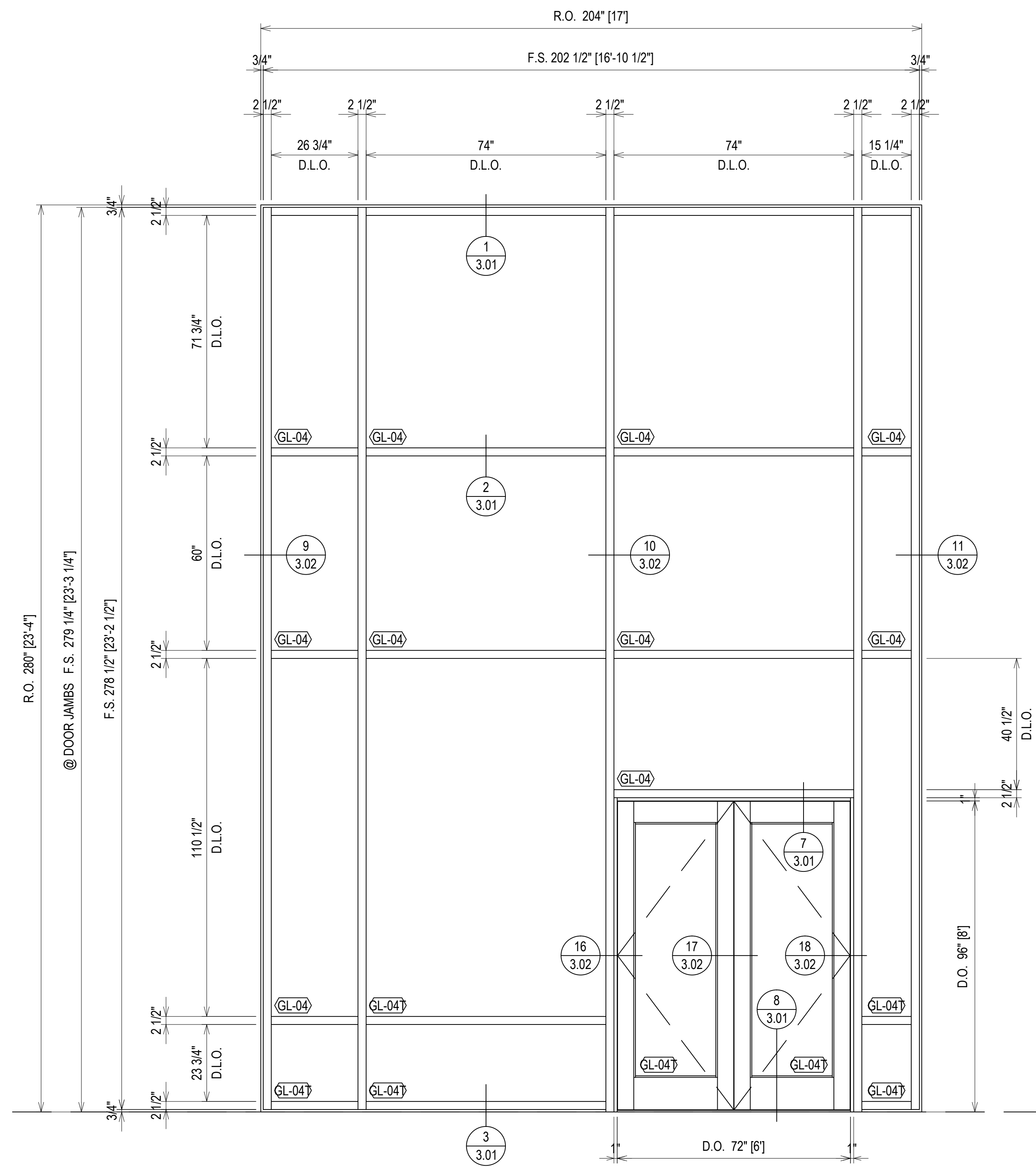
CLEMSON FOOTBALL OPERATIONS
(INTERIOR SUBMITTAL)
CLEMSON, SC



DRAWN BY:	DATE
GL	5/2/16
APPROVED BY:	DATE
CCV	5/2/16
SCALE	AS NOTED
FILE NO.	

2.01

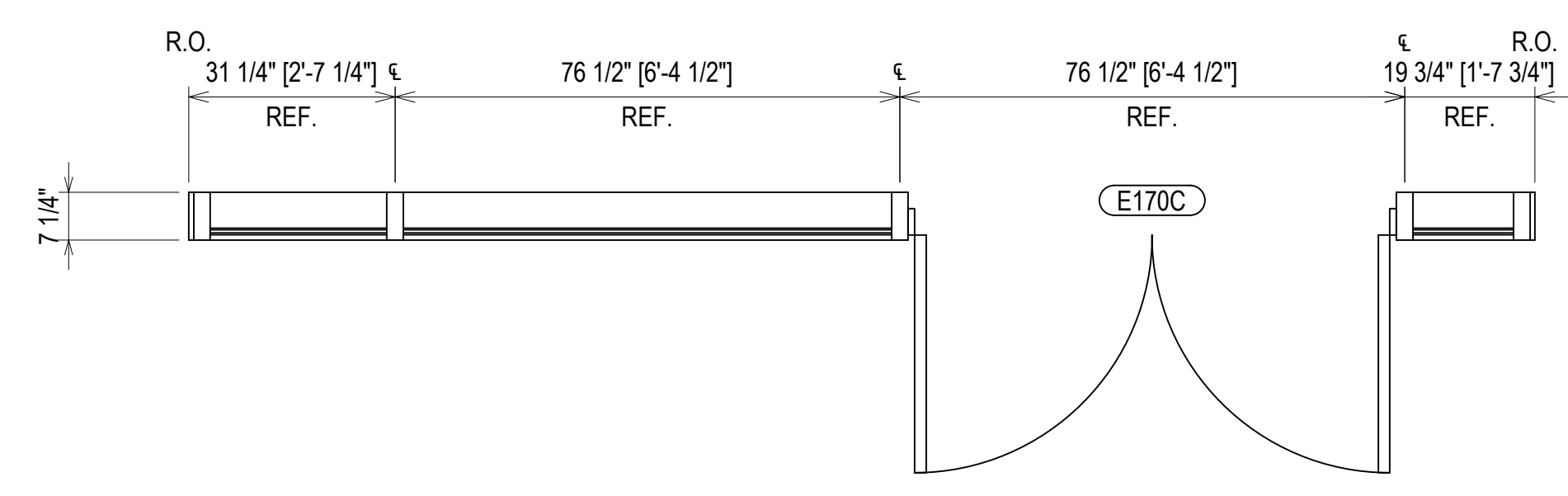
NOTE TO ARCHITECT/G.C.:
PLEASE VERIFY LOCATION OF STRUCTURAL STEEL
FOR MID ANCHOR ATTACHMENT POINT



LEVEL 1
0'-0"

ELEVATION CW-BB

SCALE: 1/2=1'-0"
OLDCASTLE BE - RELIANCE 2 1/2" X 7 1/4"
CURTAINWALL
1" INSULATED GLASS (FRONT SET)
QUANTITY: 1

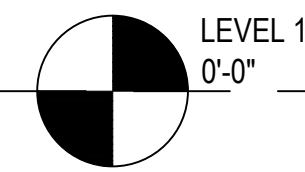


HOLD CW-BB

ELEVATION CW-1

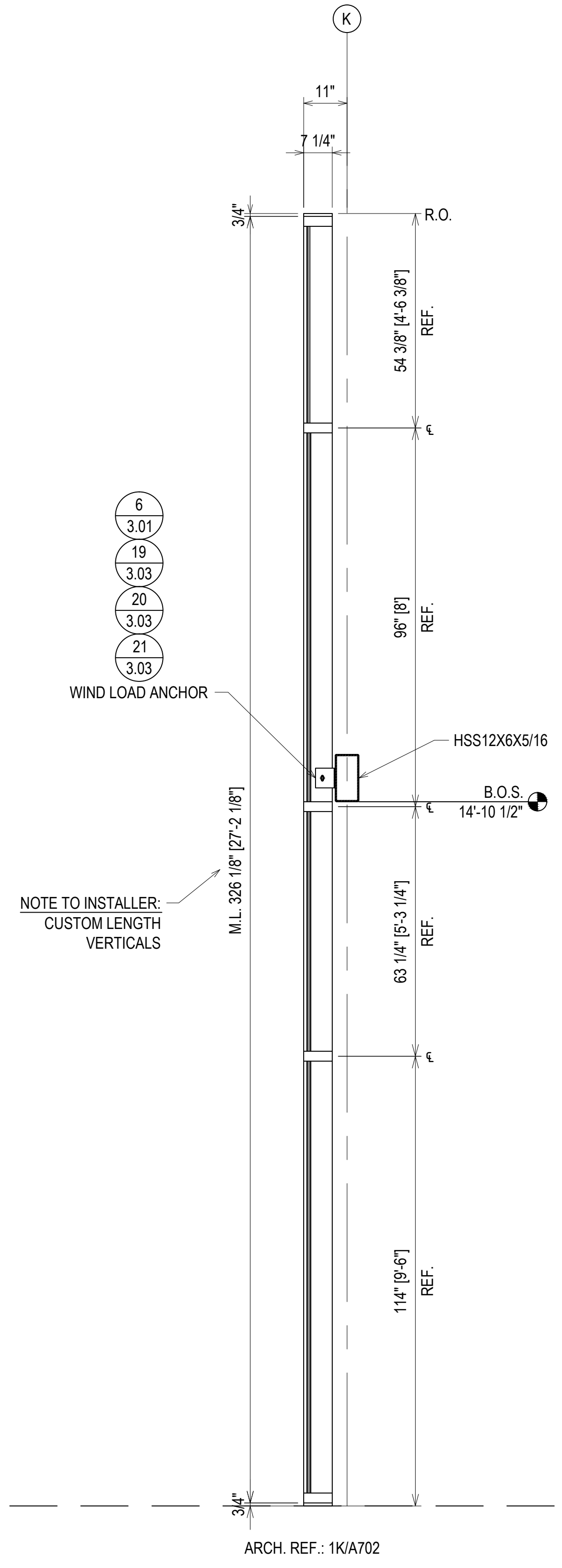
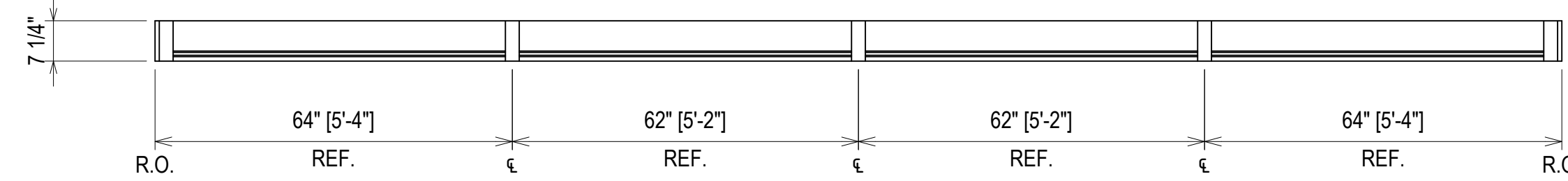
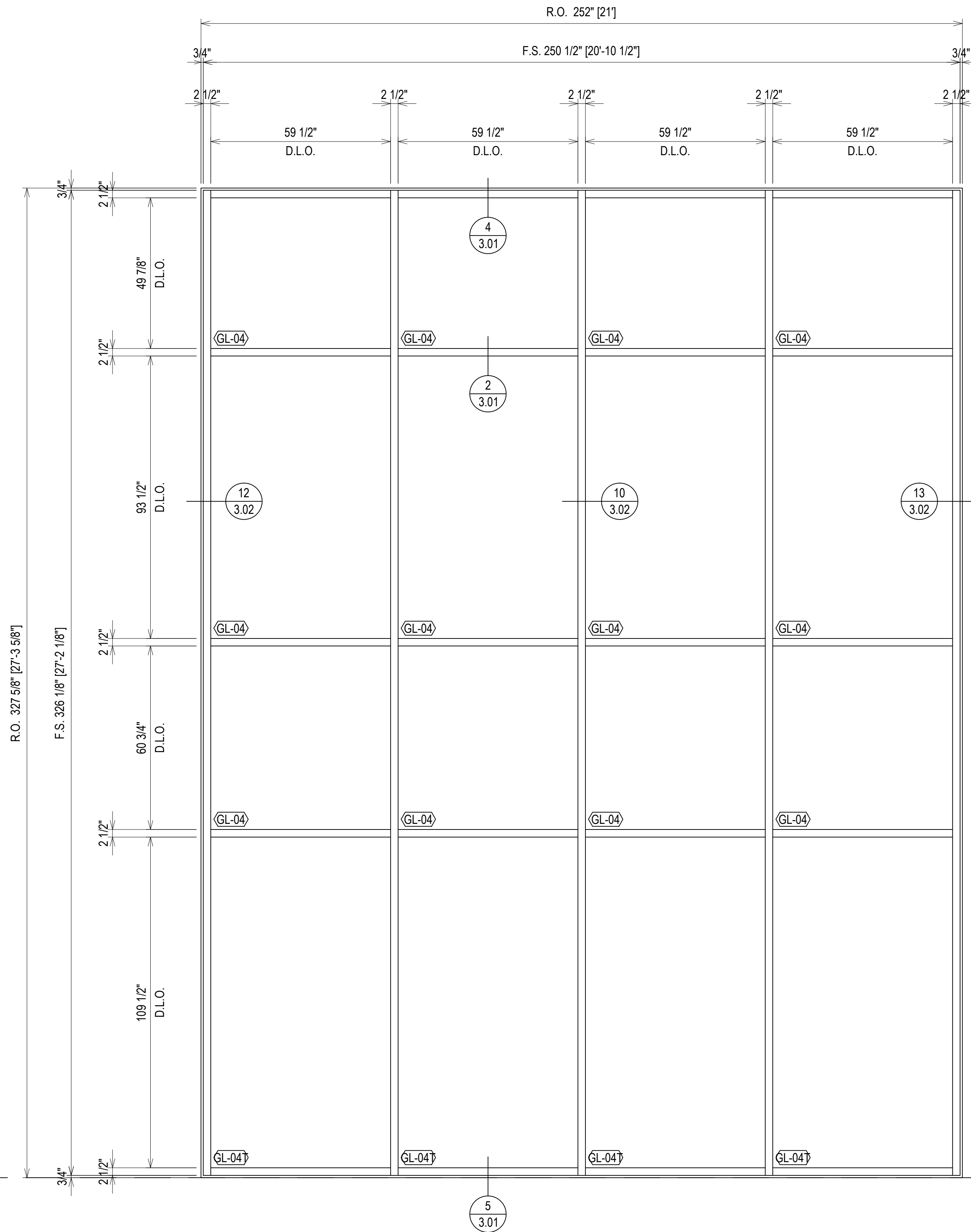
SCALE: 1/2=1'-0"
OLDCASTLE BE - RELIANCE 2 1/2" X 7 1/4"
CURTAINWALL
1" INSULATED GLASS (FRONT SET)
QUANTITY: 1

ERECTOR / G.C. NOTE:
PLEASE FIELD VERIFY ALL DIMENSIONS



ELEVATION CW-2

SCALE: 1/2"=1'-0"
OLDCASTLE BE - RELIANCE 2 1/2" X 7 1/4"
CURTAINWALL
1" INSULATED GLASS (FRONT SET)
QUANTITY: 1

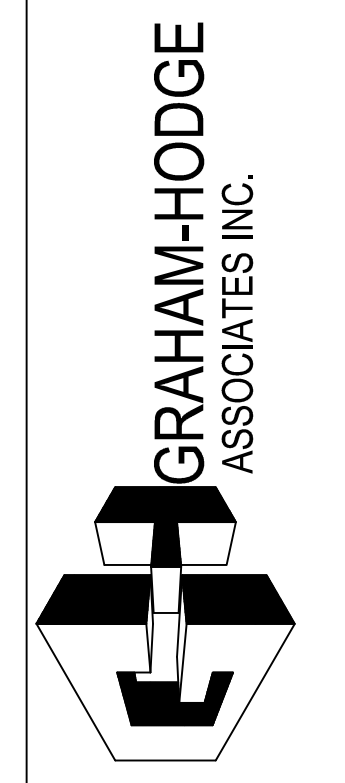


NOTE TO INSTALLER:
CUSTOM LENGTH
VERTICALS

ARCH. REF.: 1K/A702

DATE	5/2/16
DESCRIPTION	1ST SUBMISSION
REV.	△

CLEMSON FOOTBALL OPERATIONS
(INTERIOR SUBMITTAL)
CLEMSON, SC



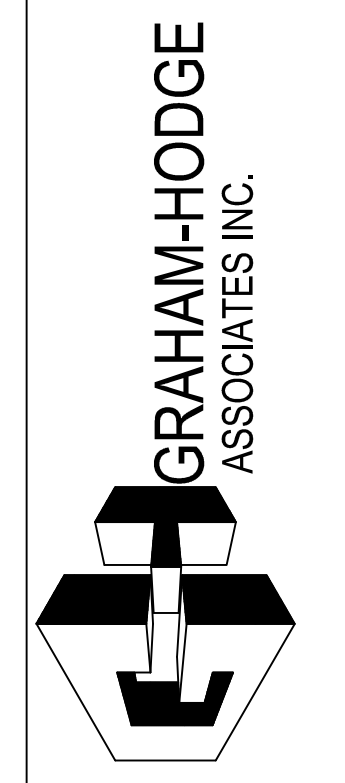
DRAWN BY:	GL	DATE	5/2/16
APPROVED BY:	CCV	DATE	5/2/16
SCALE	AS NOTED		
FILE NO.			

ERECTOR / G.C. NOTE:
PLEASE FIELD VERIFY ALL DIMENSIONS

2.02

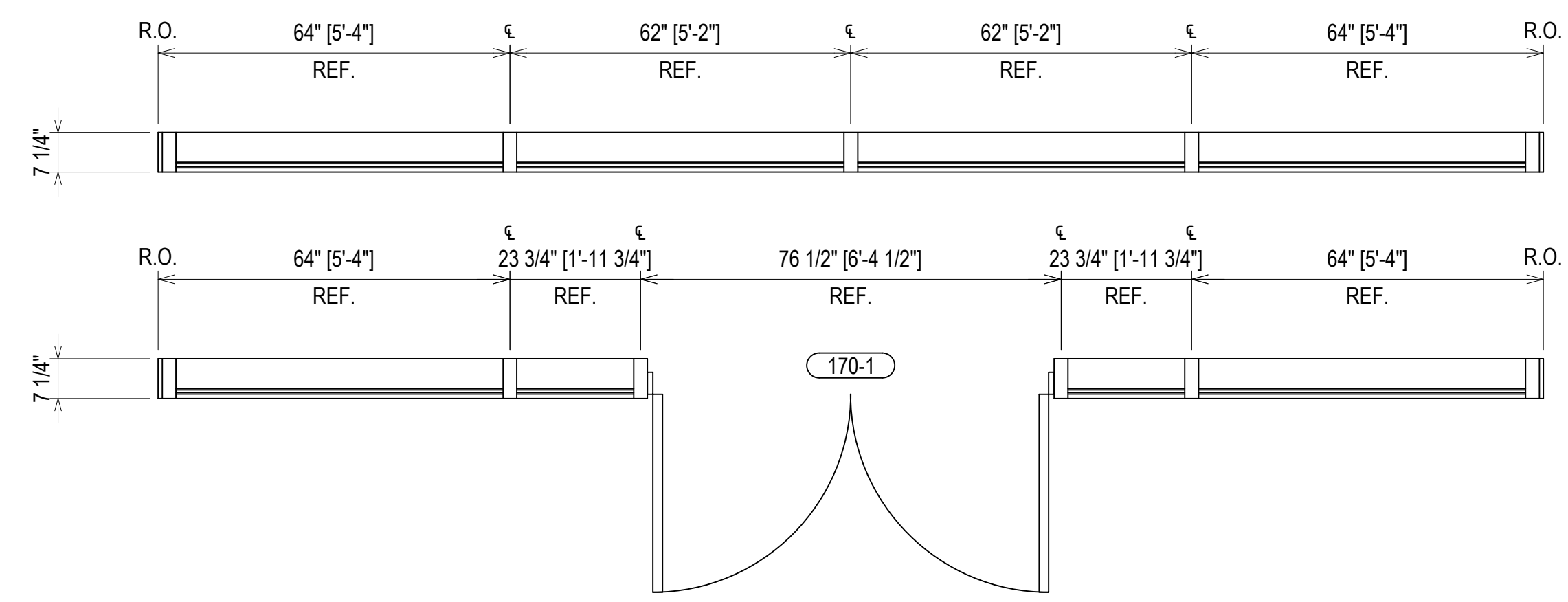
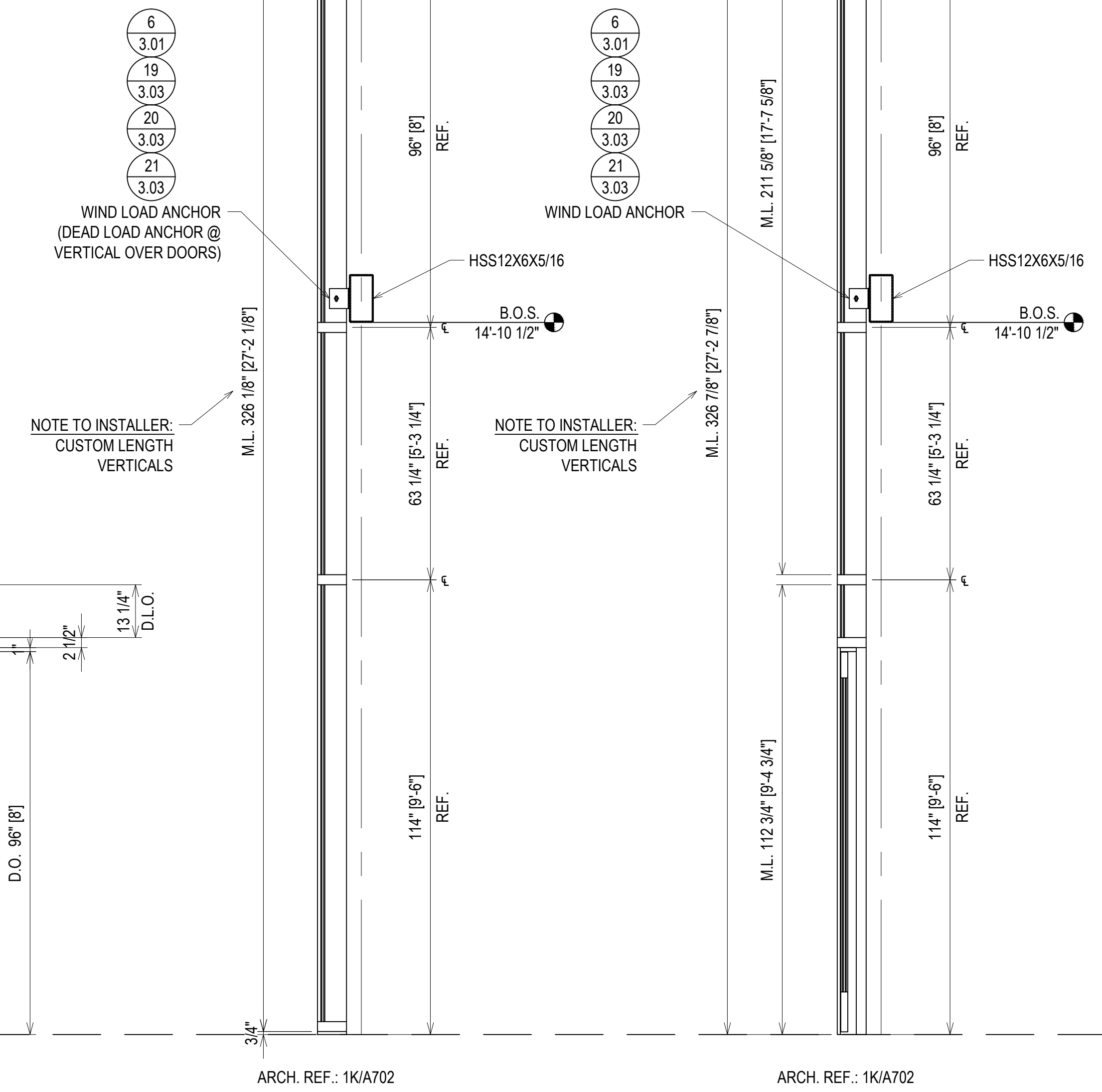
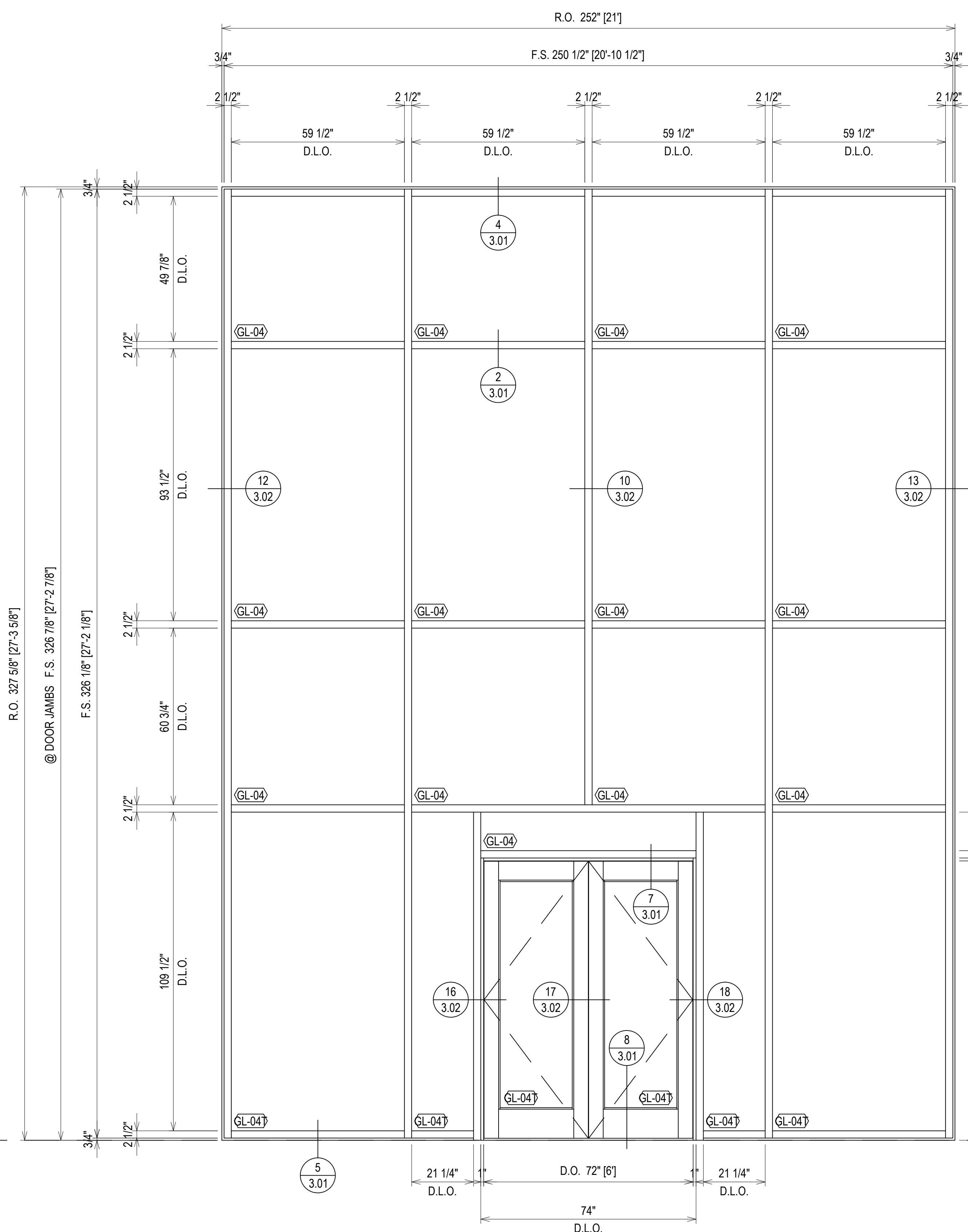
DATE	03/16
DESCRIPTION	1ST SUBMISSION
REV.	△

CLEMSON FOOTBALL OPERATIONS
 (INTERIOR SUBMITTAL)
 CLEMSON, SC

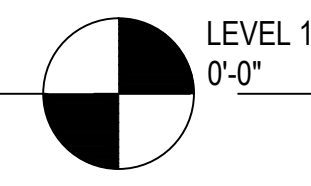


DRAWN BY:	DATE
GL	5/2/16
APPROVED BY:	DATE
CCW	5/2/16
SCALE:	AS NOTED
FILE NO.	

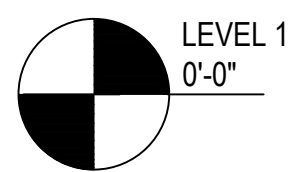
2.03



ELEVATION CW-3
 SCALE: 1/2"=1'-0"
 OLDCASTLE BE - RELIANCE 2 1/2" X 7 1/4"
 CURTAINWALL
 1" INSULATED GLASS (FRONT SET)
 QUANTITY: 1



ERECTOR / G.C. NOTE:
 PLEASE FIELD VERIFY ALL DIMENSIONS



LEVEL 1
0'-0"

ELEVATION CW-4

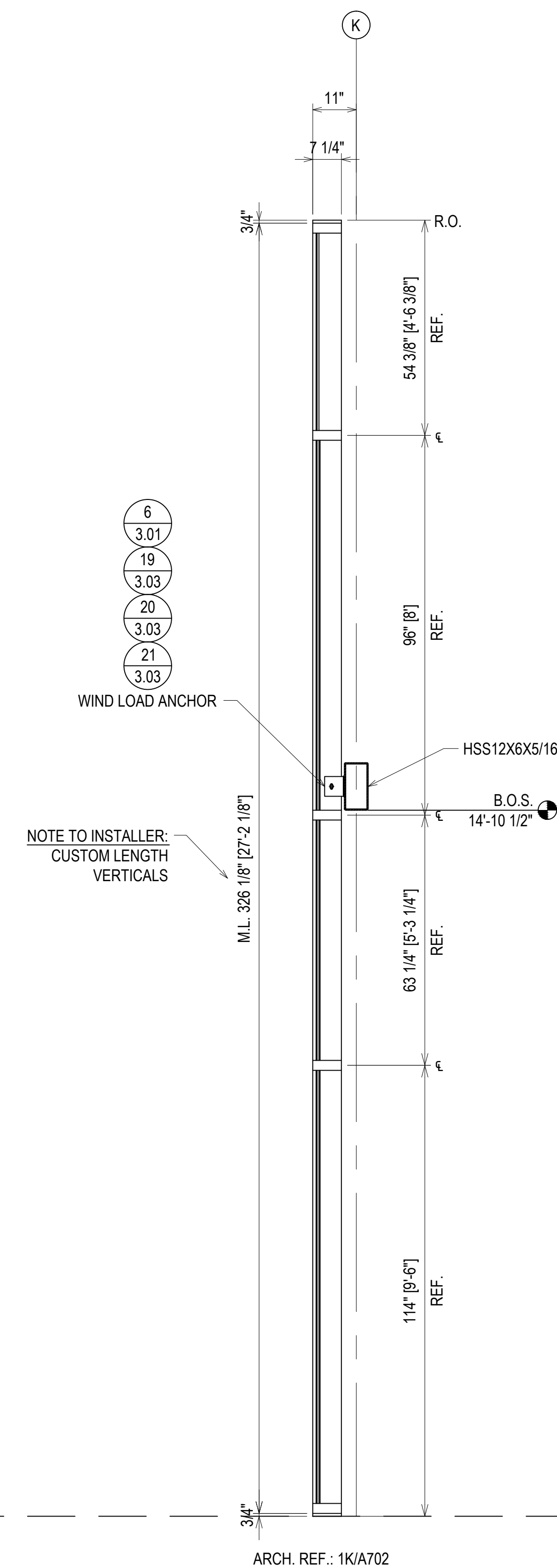
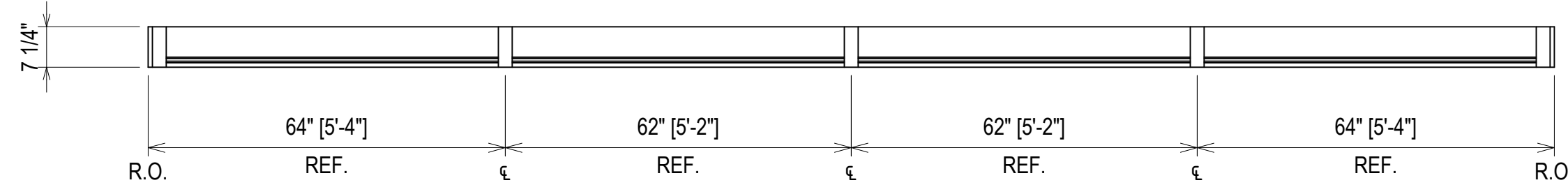
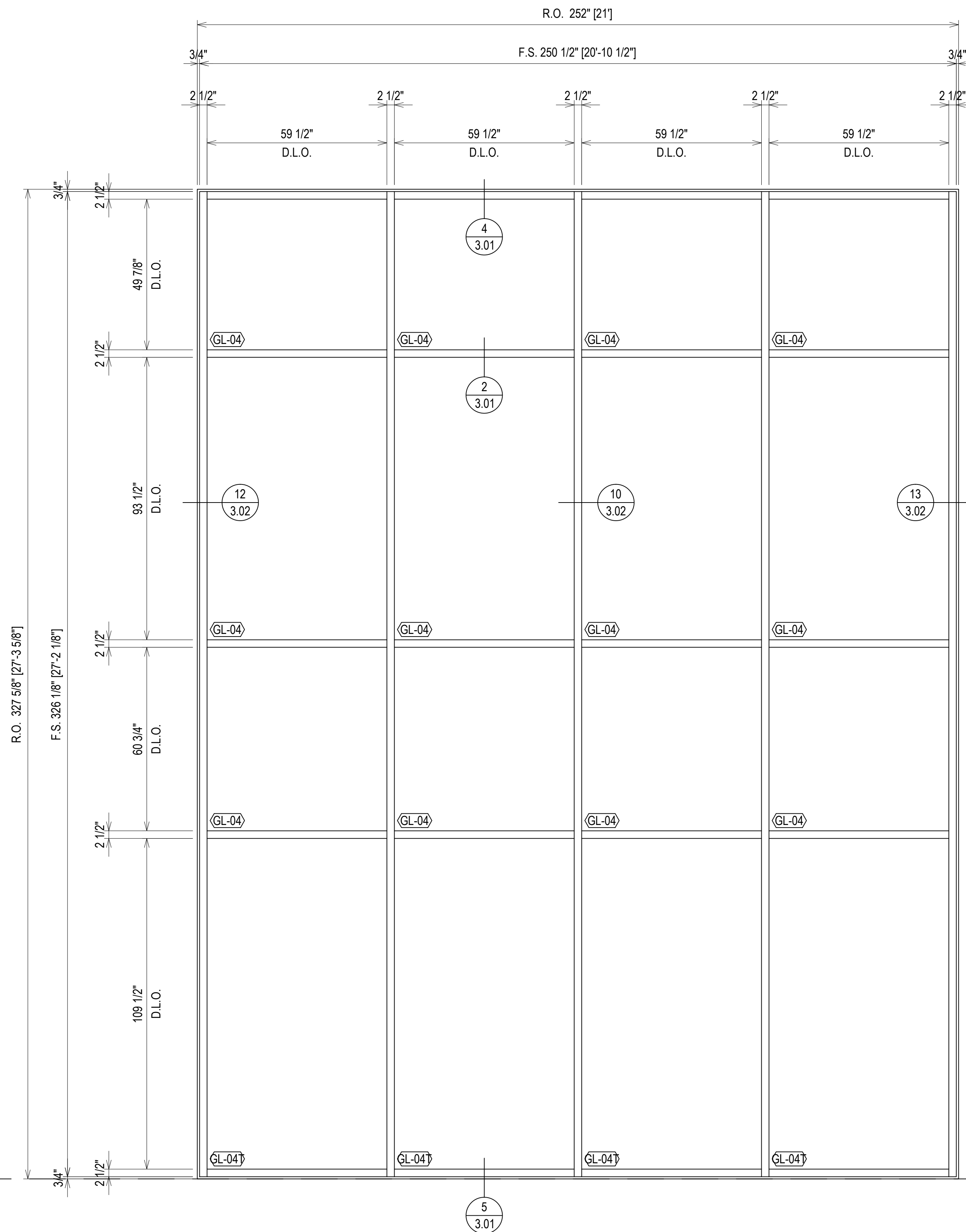
SCALE: 1/2"=1'-0"

OLDCASTLE BE - RELIANCE 2 1/2" X 7 1/4"

CURTAINWALL

1" INSULATED GLASS (FRONT SET)

QUANTITY: 1



ARCH. REF.: 1K/A702

DATE	5/2/16
DESCRIPTION	1ST SUBMISSION
REV.	△

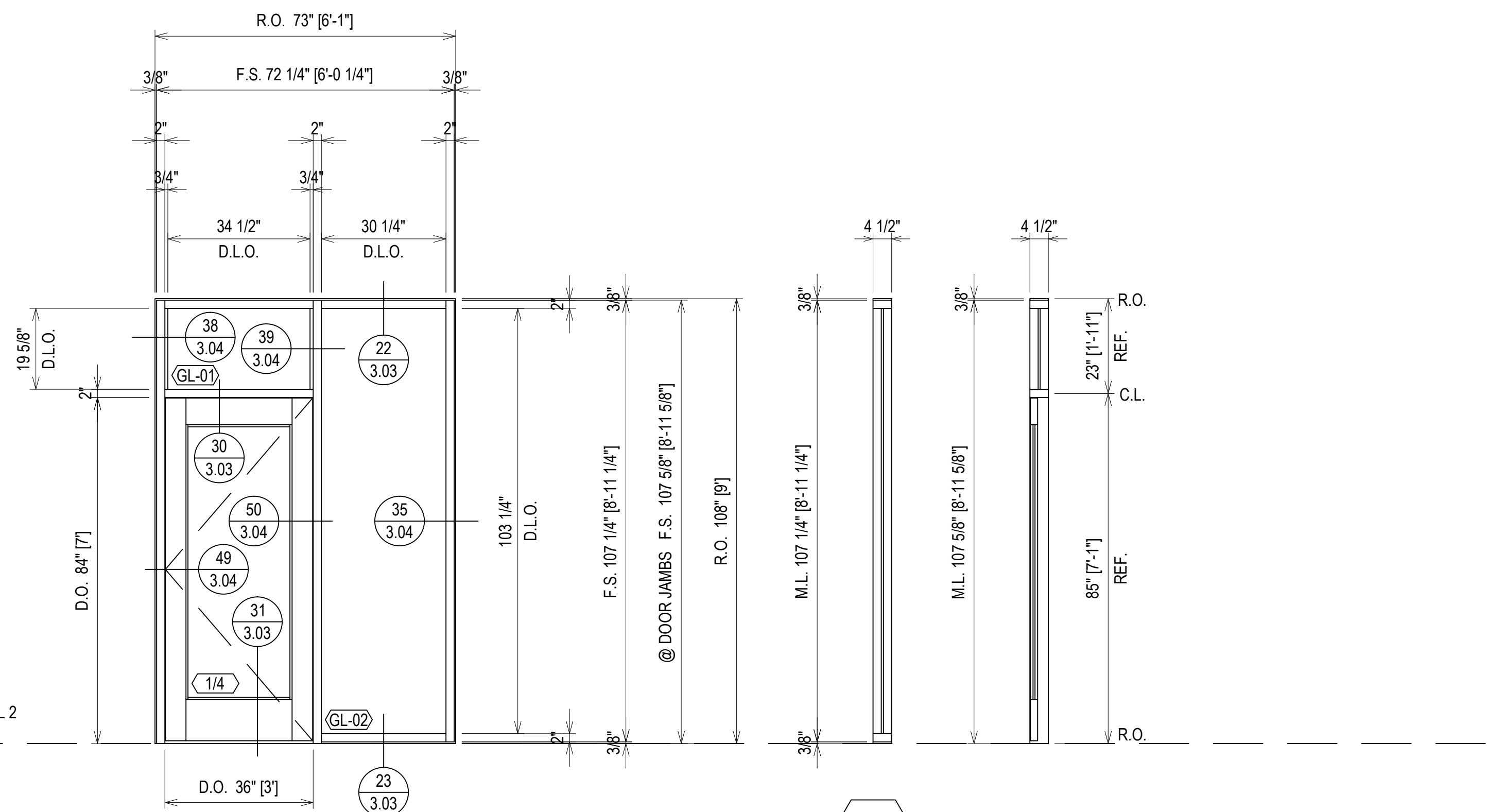
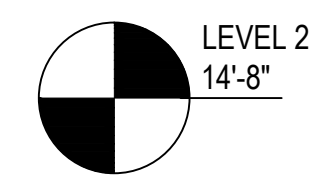
CLEMSON FOOTBALL OPERATIONS
 (INTERIOR SUBMITTAL)
 CLEMSON, SC



DRAWN BY:	GL	DATE	5/2/16
APPROVED BY:	CCV	DATE	5/2/16
SCALE	AS NOTED		
FILE NO.			

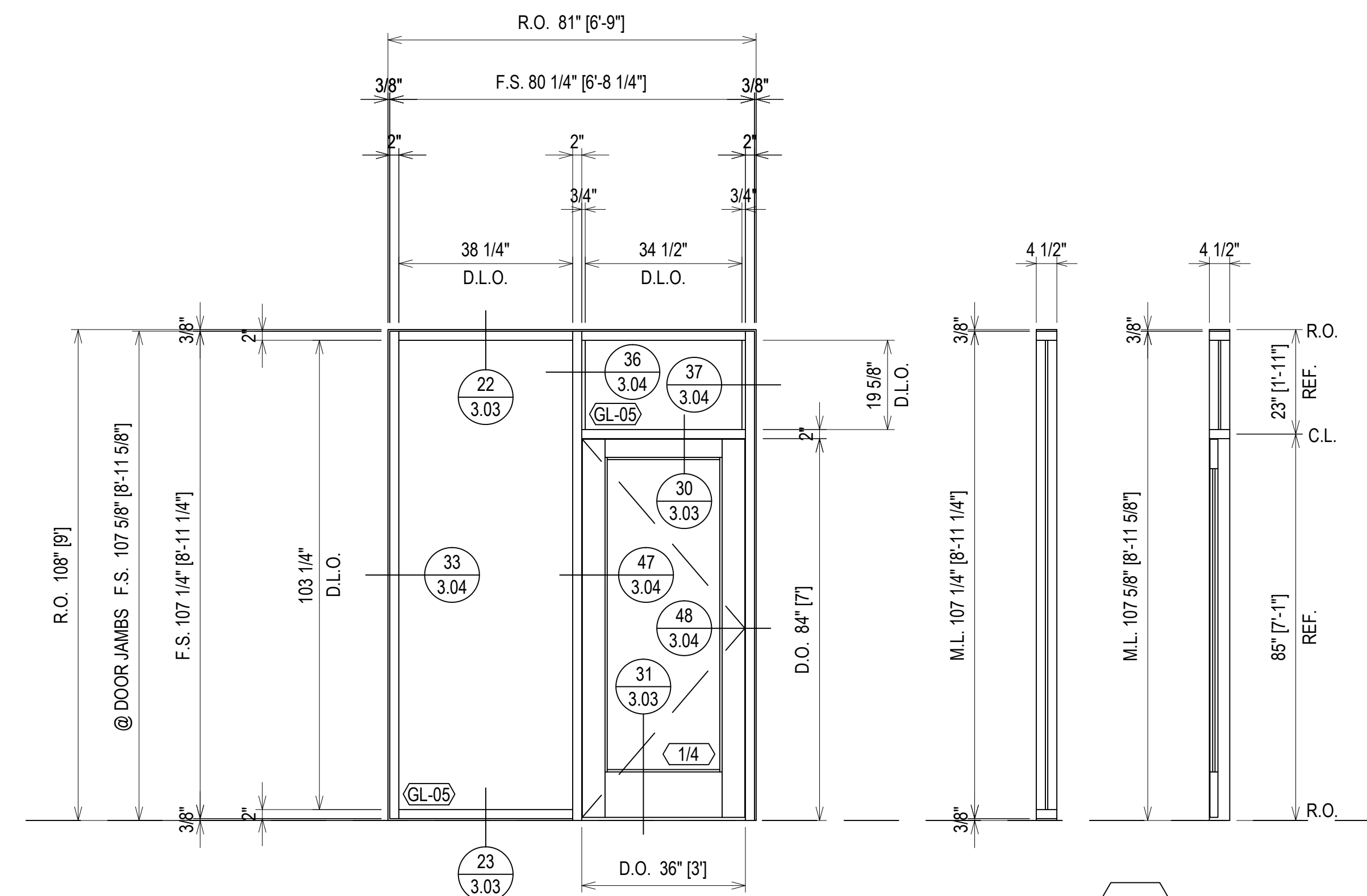
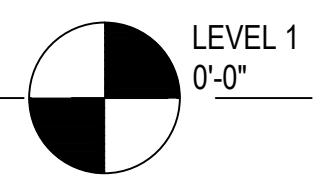
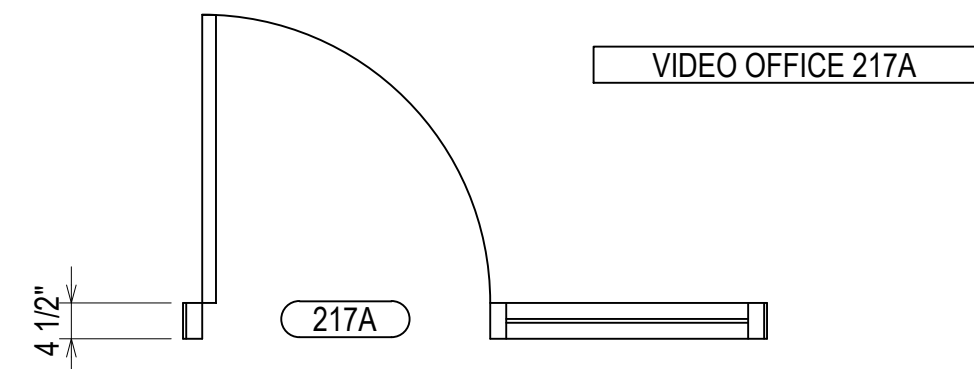
ERECTOR / G.C. NOTE:
 PLEASE FIELD VERIFY ALL DIMENSIONS

2.04



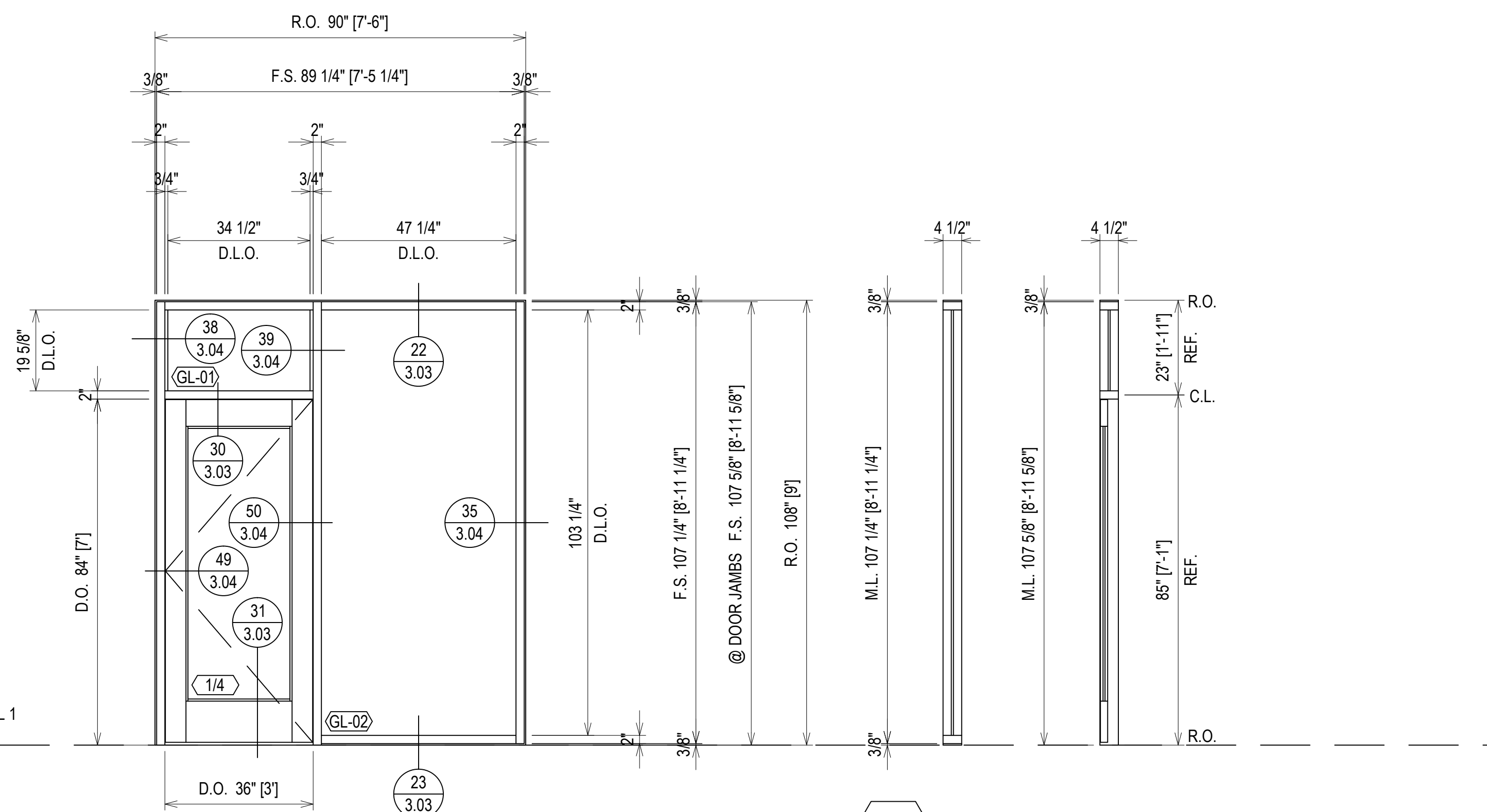
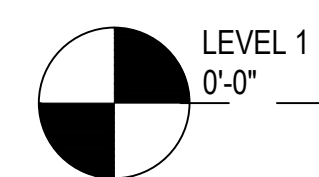
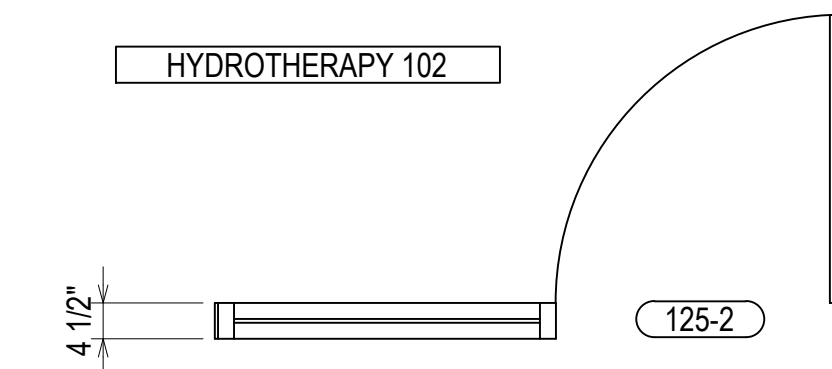
ELEVATION SF1a

SCALE: 1/2=1'-0"
 OLDCASTLE BE FG3000 - 2" X 4 1/2"
 STOREFRONT
 1/2" MONOLITHIC GLASS (CENTER SET)
 QUANTITY: 1



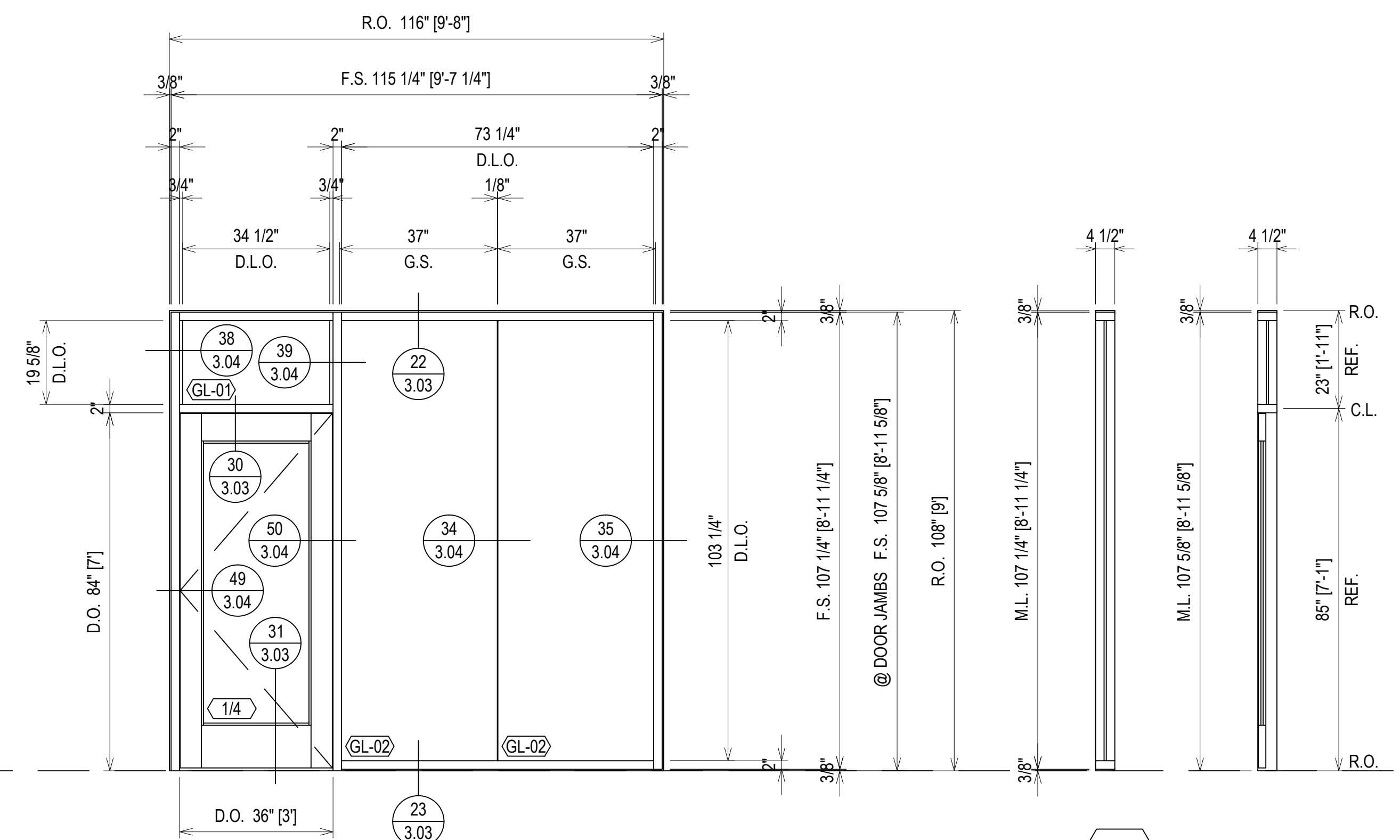
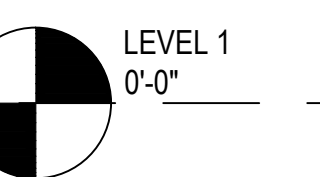
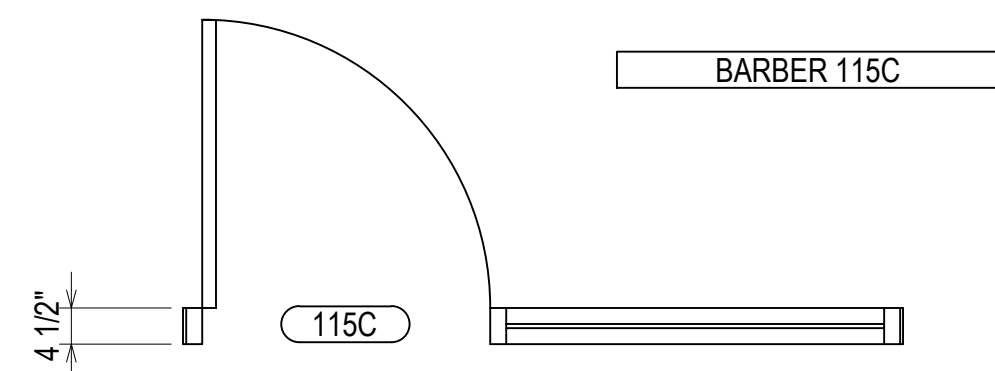
ELEVATION SF1b

SCALE: 1/2=1'-0"
 OLDCASTLE BE FG3000 - 2" X 4 1/2"
 STOREFRONT
 1/2" MONOLITHIC GLASS (CENTER SET)
 QUANTITY: 1



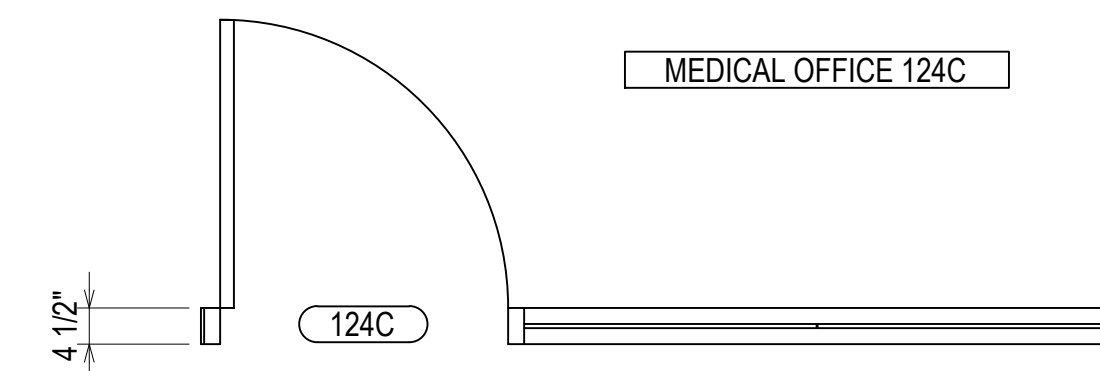
ELEVATION SF1c

SCALE: 1/2=1'-0"
 OLDCASTLE BE FG3000 - 2" X 4 1/2"
 STOREFRONT
 1/2" MONOLITHIC GLASS (CENTER SET)
 QUANTITY: 1



ELEVATION SF2a

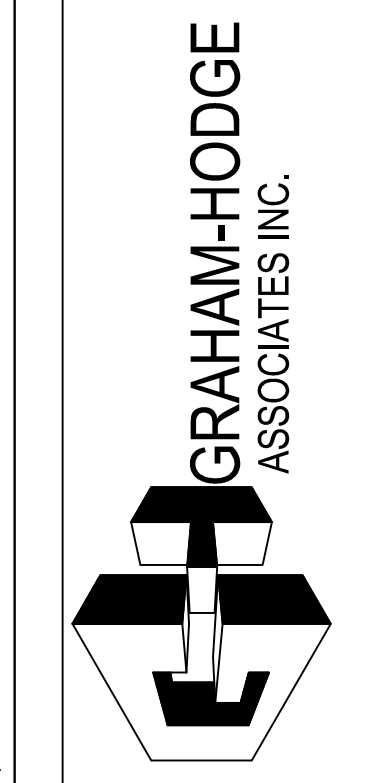
SCALE: 1/2=1'-0"
 OLDCASTLE BE FG3000 - 2" X 4 1/2"
 STOREFRONT
 1/2" MONOLITHIC GLASS (CENTER SET)
 QUANTITY: 1



ERECTOR / G.C. NOTE:
 PLEASE FIELD VERIFY ALL DIMENSIONS

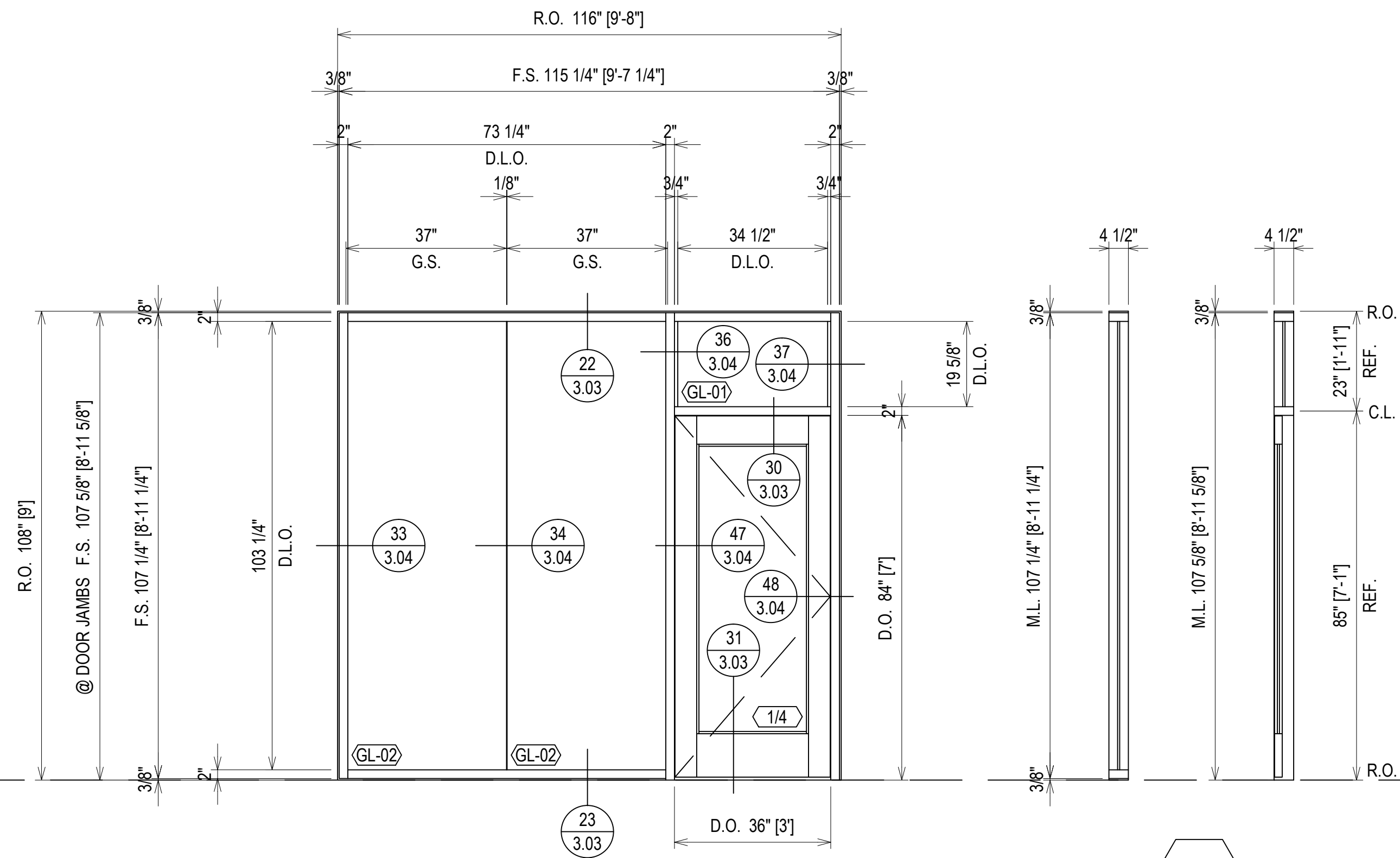
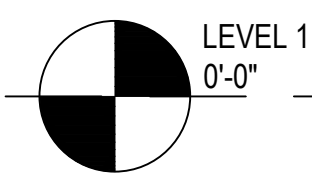
DATE	03/16
DESCRIPTION	1ST SUBMISSION
REV.	

CLEMSON FOOTBALL OPERATIONS
 (INTERIOR SUBMITTAL)
 CLEMSON, SC

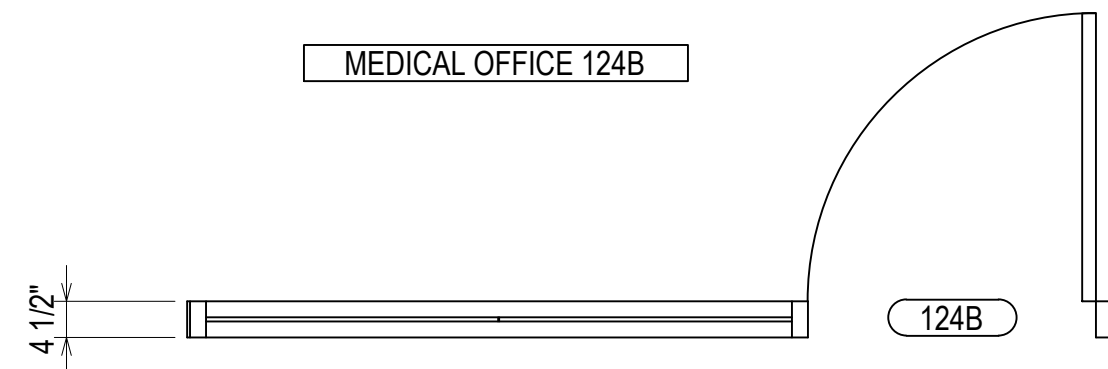


DRAWN BY	DATE
GL	5/2/16
APPROVED BY	DATE
CCV	5/2/16
SCALE	AS NOTED
FILE NO	

2.05

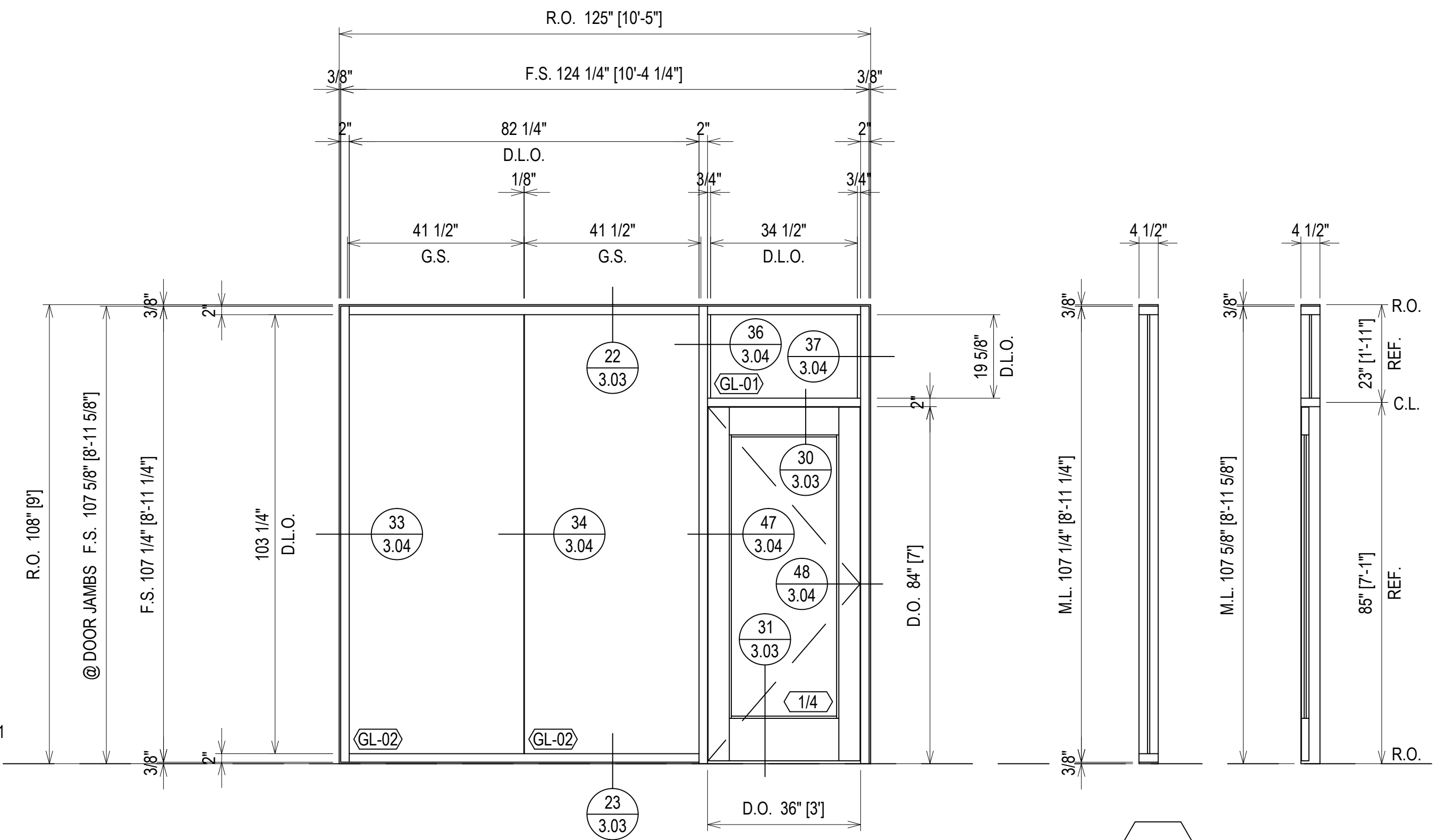
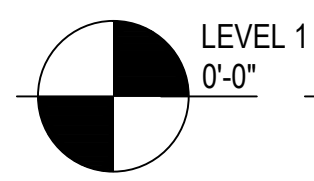


MEDICAL OFFICE 124B

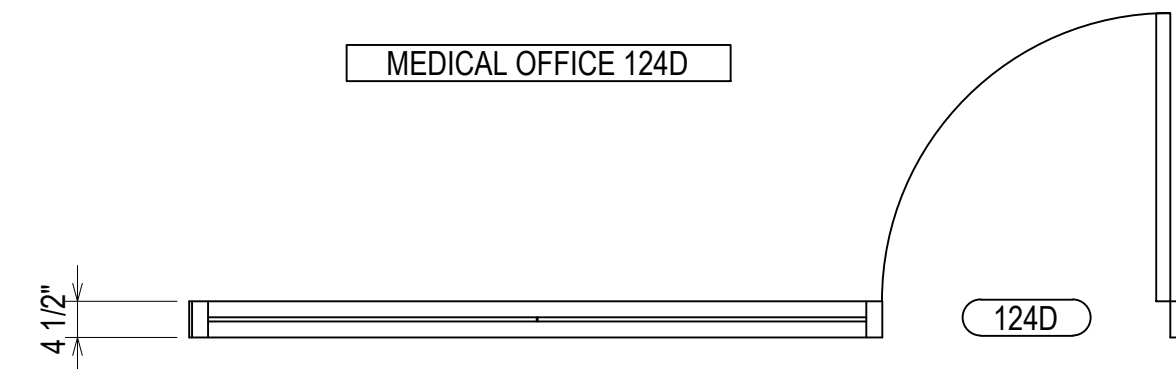


ELEVATION SF2a-1

SCALE: 1/2=1'-0"
 OLDCASTLE BE FG3000 - 2" X 4 1/2"
 STOREFRONT
 1/2" MONOLITHIC GLASS (CENTER SET)
 QUANTITY: 1

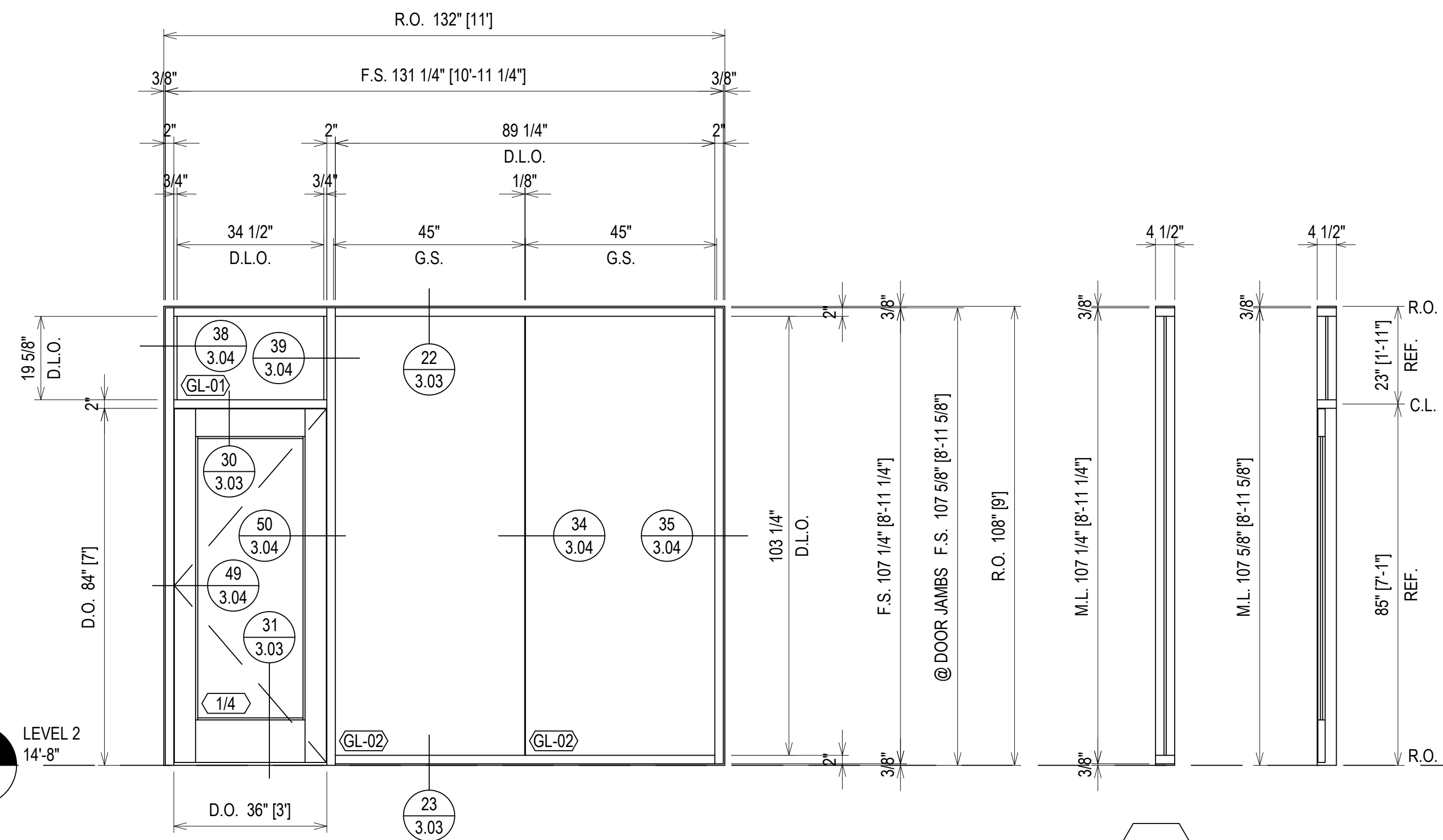
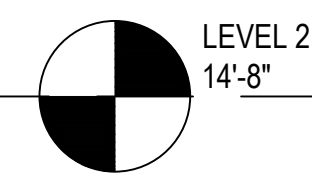


MEDICAL OFFICE 124D

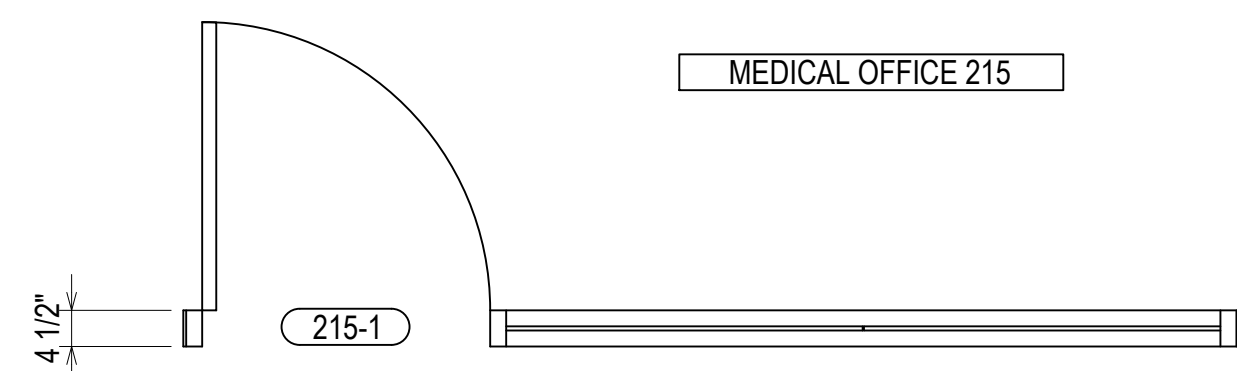


ELEVATION SF2b

SCALE: 1/2=1'-0"
 OLDCASTLE BE FG3000 - 2" X 4 1/2"
 STOREFRONT
 1/2" MONOLITHIC GLASS (CENTER SET)
 QUANTITY: 1

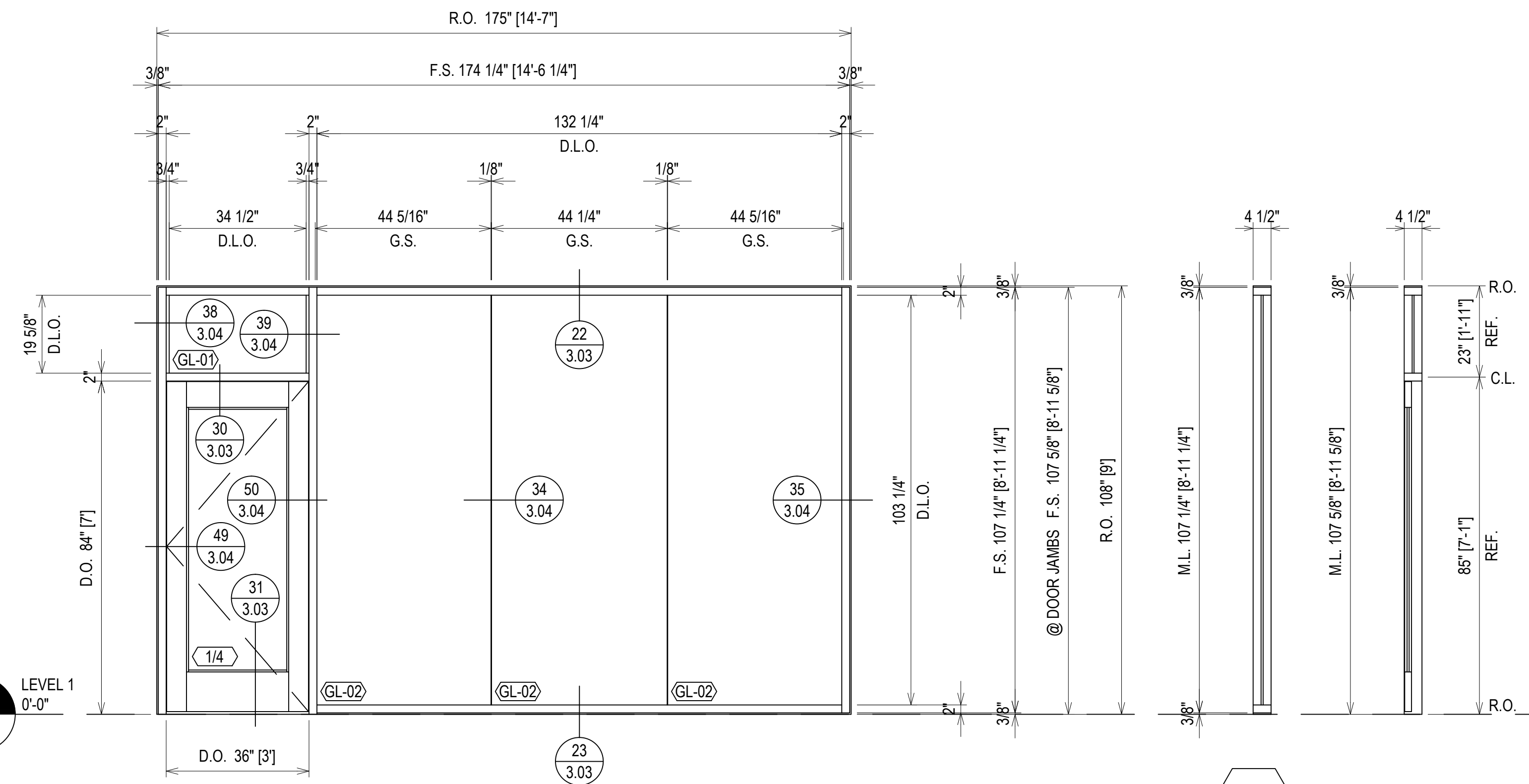
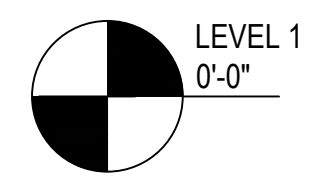


MEDICAL OFFICE 215

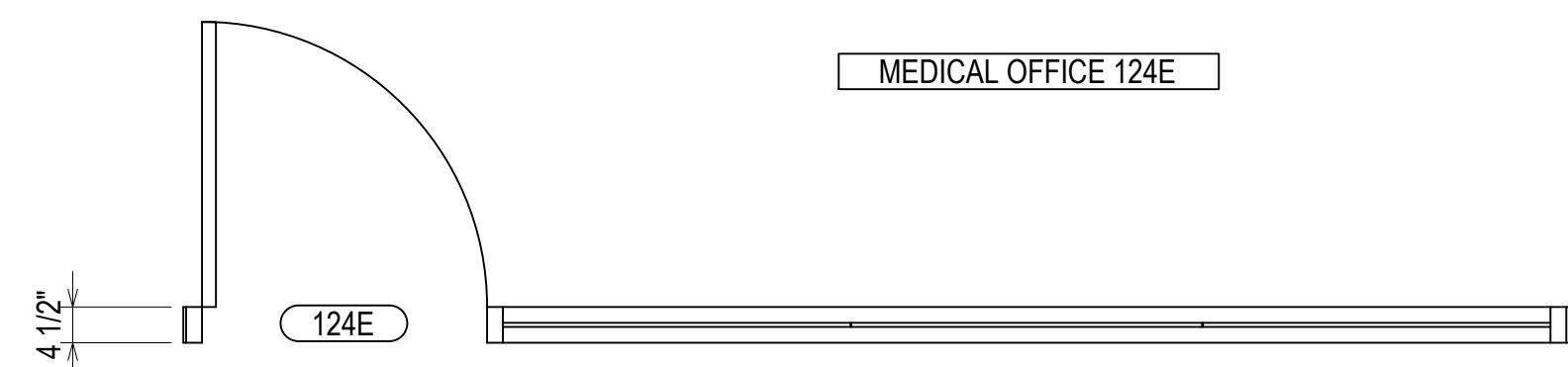


ELEVATION SF2c

SCALE: 1/2=1'-0"
 OLDCASTLE BE FG3000 - 2" X 4 1/2"
 STOREFRONT
 1/2" MONOLITHIC GLASS (CENTER SET)
 QUANTITY: 1



MEDICAL OFFICE 124E



ELEVATION SF3a

SCALE: 1/2=1'-0"
 OLDCASTLE BE FG3000 - 2" X 4 1/2"
 STOREFRONT
 1/2" MONOLITHIC GLASS (CENTER SET)
 QUANTITY: 1

ERECTOR / G.C. NOTE:
 PLEASE FIELD VERIFY ALL DIMENSIONS

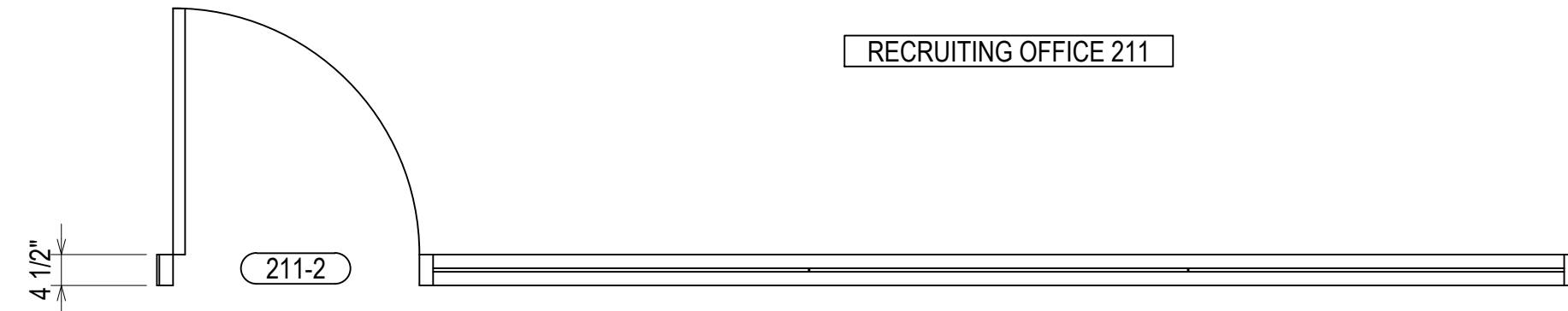
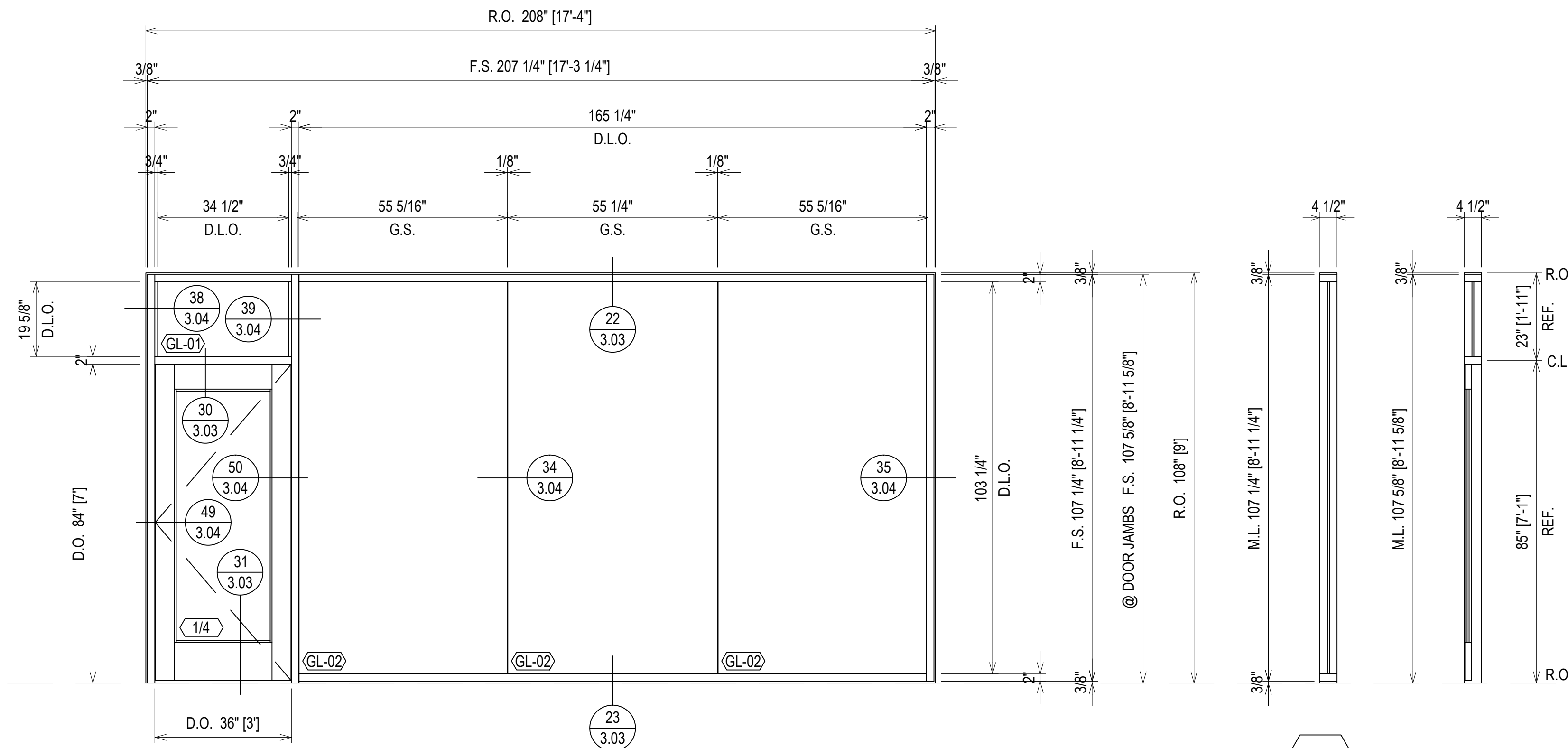
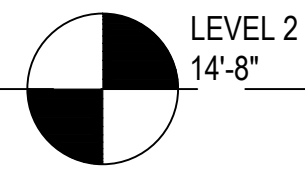
DATE	05/16
DESCRIPTION	1ST SUBMISSION
REV.	

CLEMSON FOOTBALL OPERATIONS
 (INTERIOR SUBMITTAL)
 CLEMSON, SC



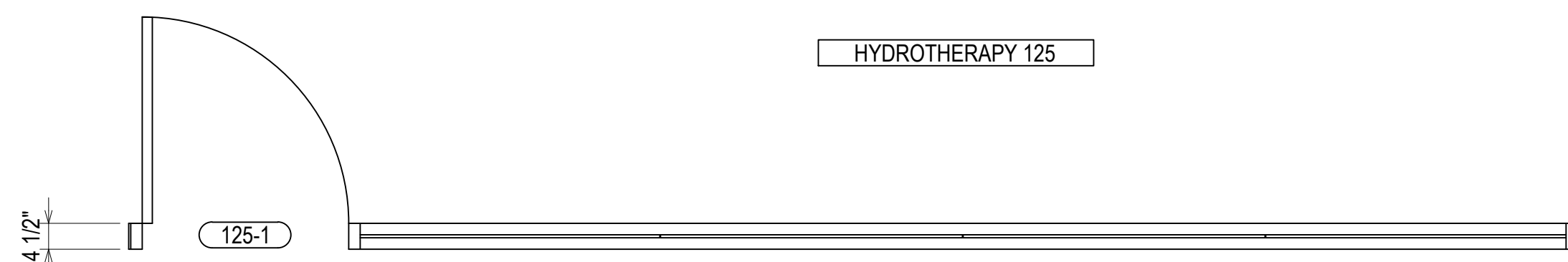
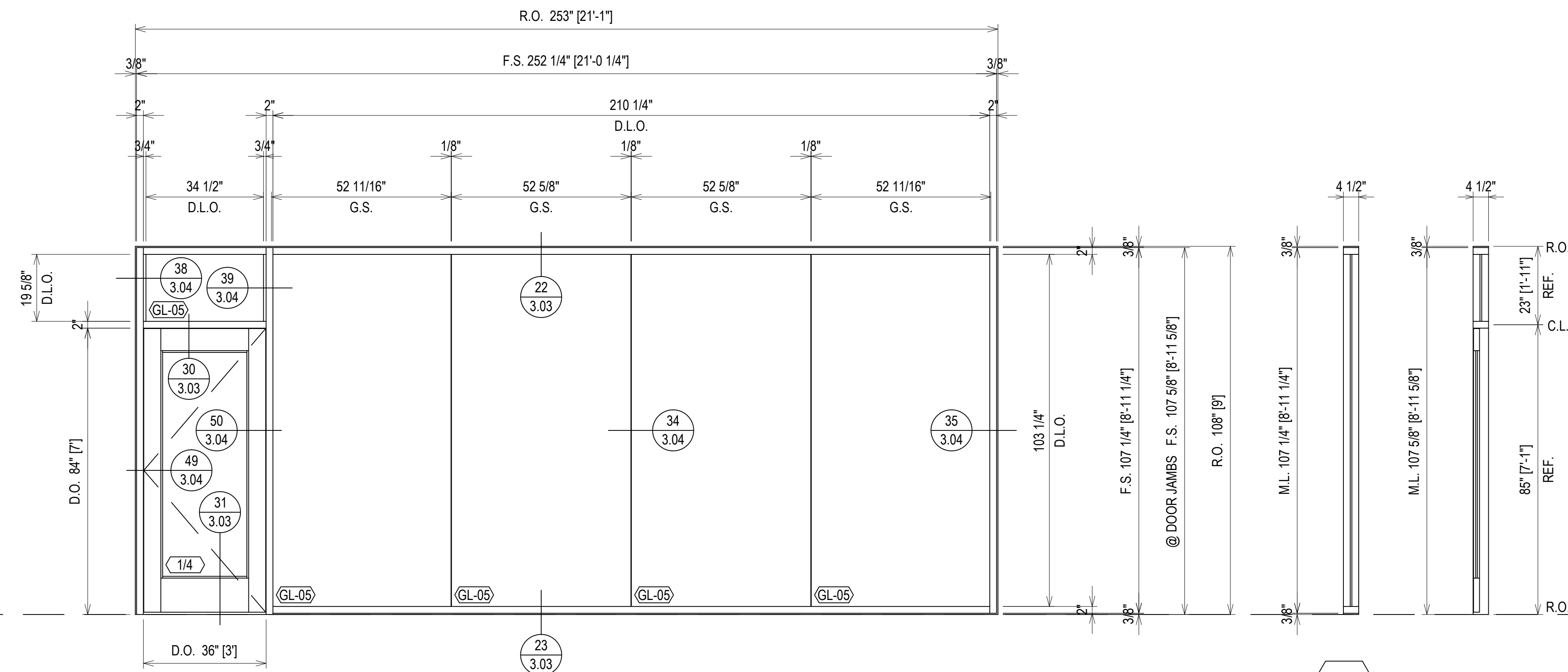
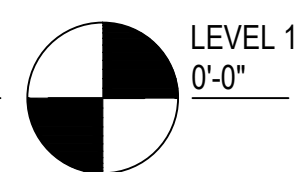
DRAWN BY	DATE
GL	5/2/16
APPROVED BY	DATE
CCV	5/2/16
SCALE	AS NOTED
FILE NO.	

2.06



ELEVATION SF3c

SCALE: 1/2=1'-0"
 OLDCASTLE BE FG3000 - 2" X 4 1/2"
 STOREFRONT
 1/2" MONOLITHIC GLASS (CENTER SET)
 QUANTITY: 1



ELEVATION SF4a

SCALE: 1/2=1'-0"
 OLDCASTLE BE FG3000 - 2" X 4 1/2"
 STOREFRONT
 1/2" MONOLITHIC GLASS (CENTER SET)
 QUANTITY: 1

ERECTOR / G.C. NOTE:
 PLEASE FIELD VERIFY ALL DIMENSIONS

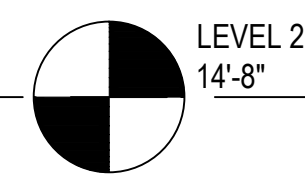
DATE	5/2/16
DESCRIPTION	1ST SUBMISSION 1ST REVISION
REV.	▲

CLEMSON FOOTBALL OPERATIONS
 (INTERIOR SUBMITTAL)
 CLEMSON, SC



DRAWN BY:	DATE
GL	5/2/16
APPROVED BY:	DATE
CCV	5/2/16
SCALE	AS NOTED
FILE NO.	

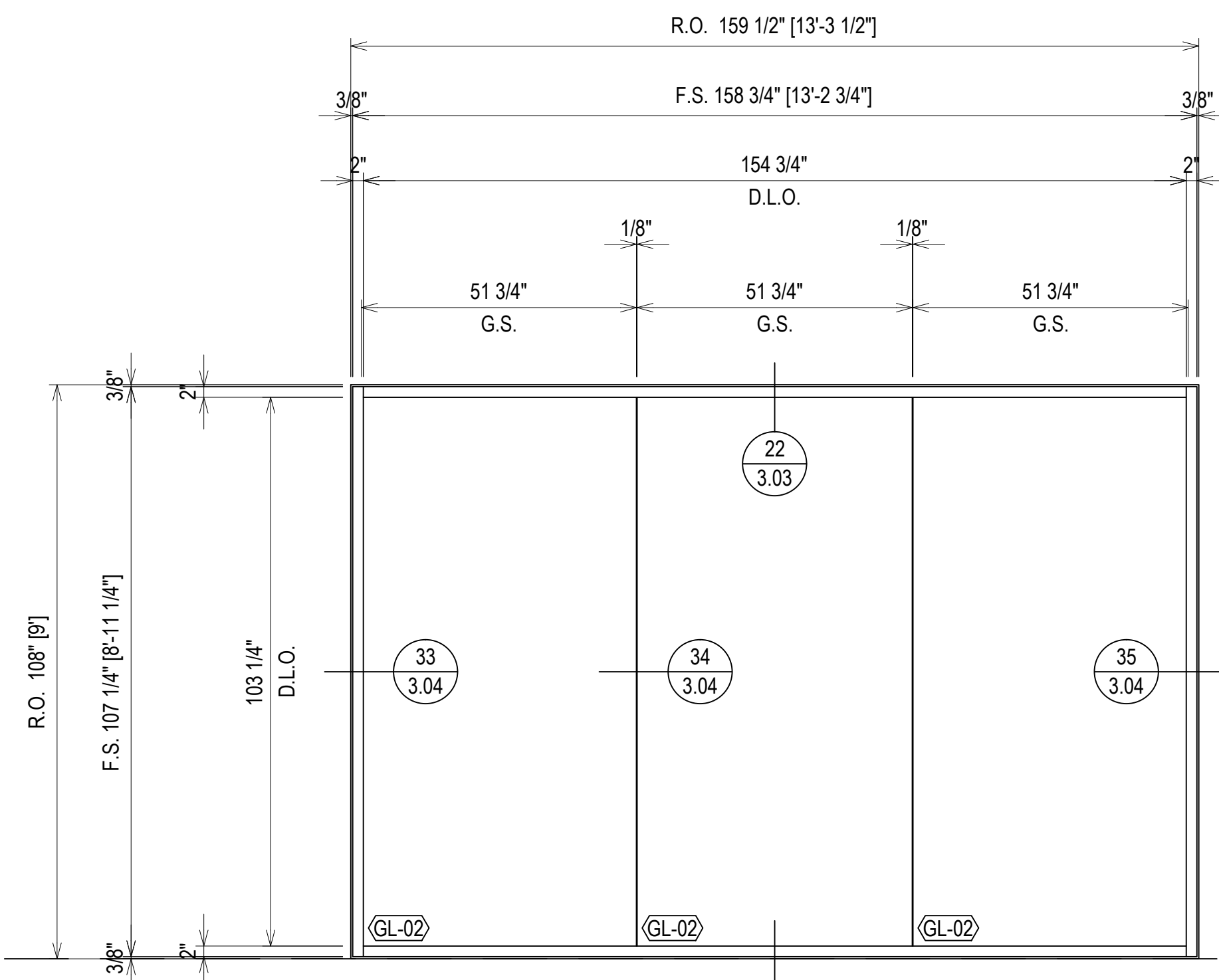
2.07



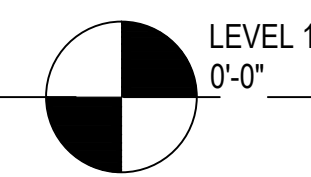
LEVEL 2
14'-8"

ELEVATION SF5a

SCALE: 1/2=1'-0"
OLDCASTLE BE FG3000 - 2" X 4 1/2"
STOREFRONT
1/2" MONOLITHIC GLASS (CENTER SET)
QUANTITY: 1



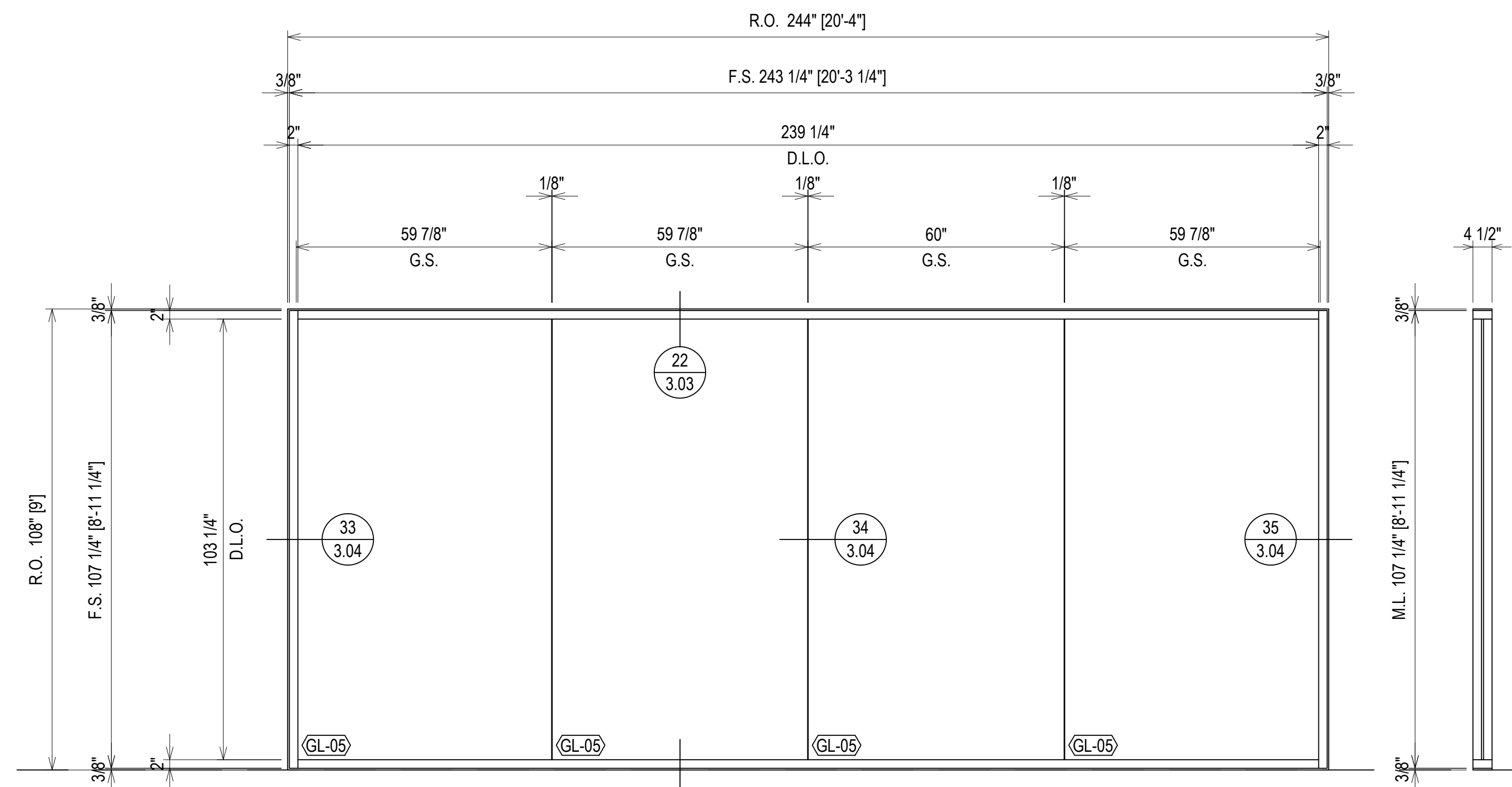
RECRUITING OFFICE 205



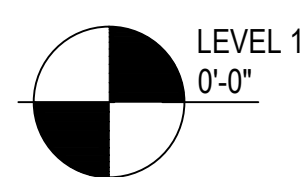
LEVEL 1
0'-0"

ELEVATION SF6a

SCALE: 1/2=1'-0"
OLDCASTLE BE FG3000 - 2" X 4 1/2"
STOREFRONT
1/2" MONOLITHIC GLASS (CENTER SET)
QUANTITY: 1



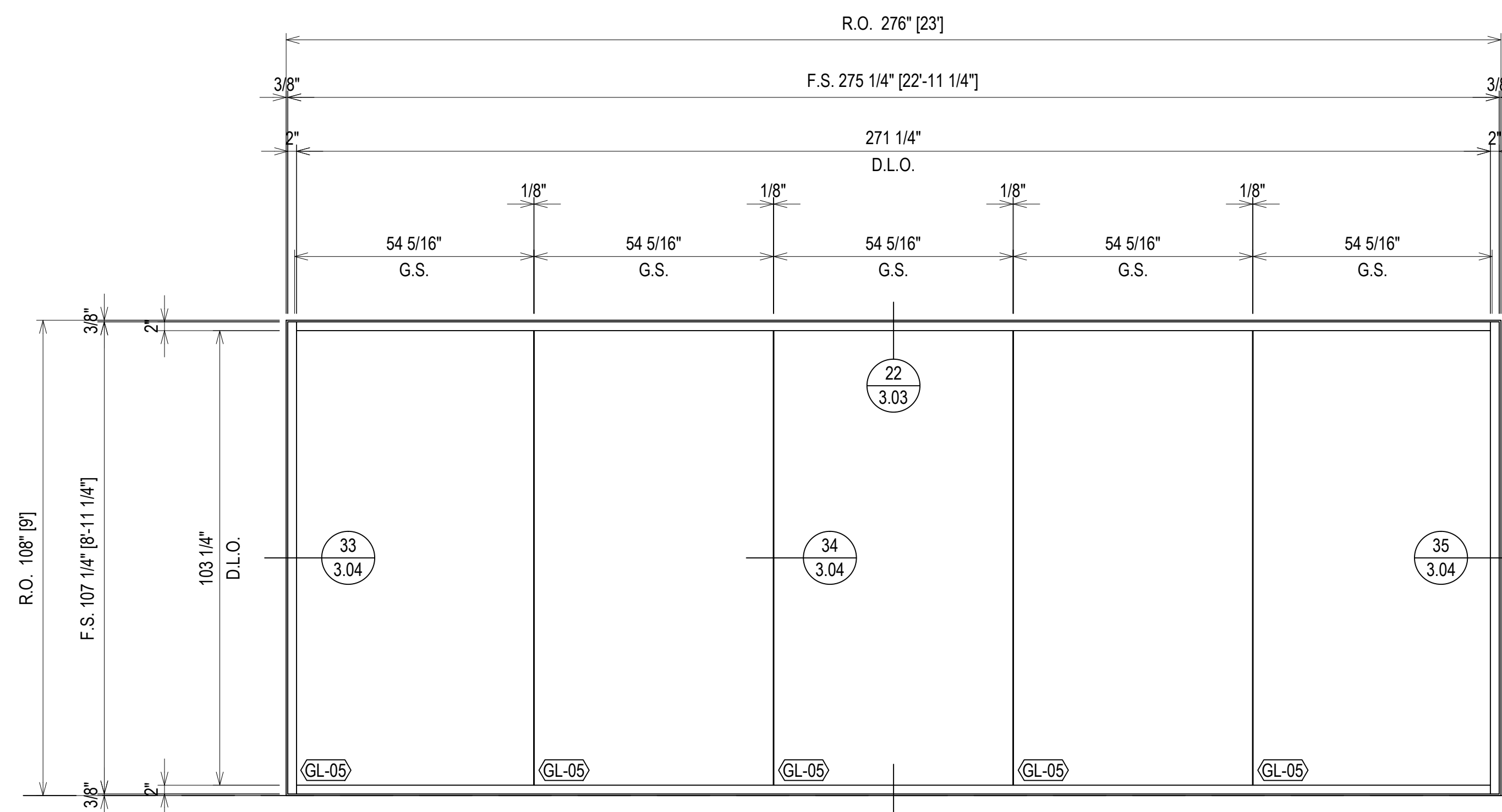
HYDROTHERAPY 125



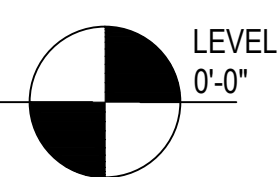
LEVEL 1
0'-0"

ELEVATION SF7a

SCALE: 1/2=1'-0"
OLDCASTLE BE FG3000 - 2" X 4 1/2"
STOREFRONT
1/2" MONOLITHIC GLASS (CENTER SET)
QUANTITY: 1



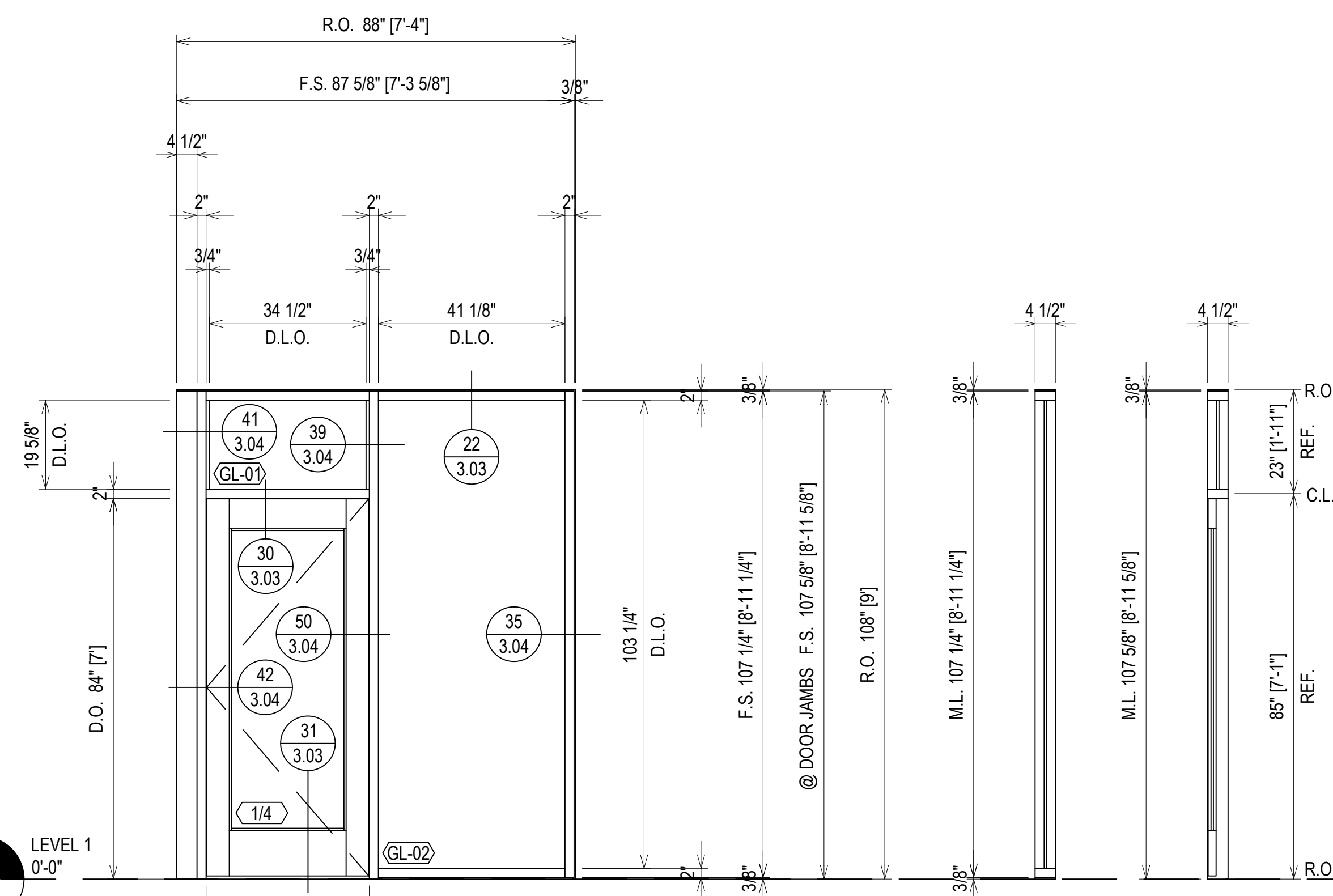
HYDROTHERAPY 125



LEVEL 1
0'-0"

ELEVATION SF8a

SCALE: 1/2=1'-0"
OLDCASTLE BE FG3000 - 2" X 4 1/2"
STOREFRONT
1/2" MONOLITHIC GLASS (CENTER SET)
QUANTITY: 1



MEDICINE OFFICE 124A

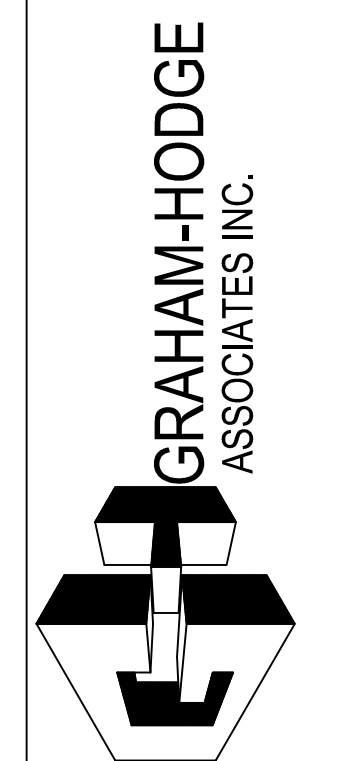
SF9b
2.09

124A

ERECTOR / G.C. NOTE:
PLEASE FIELD VERIFY ALL DIMENSIONS

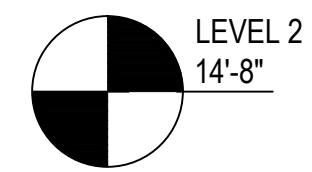
DATE	05/16 2016
DESCRIPTION	1ST SUBMISSION 1ST REVISION
REV.	▲

CLEMSON FOOTBALL OPERATIONS
(INTERIOR SUBMITTAL)
CLEMSON, SC

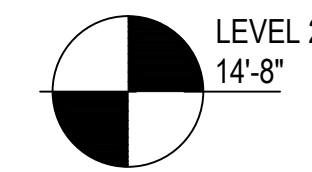
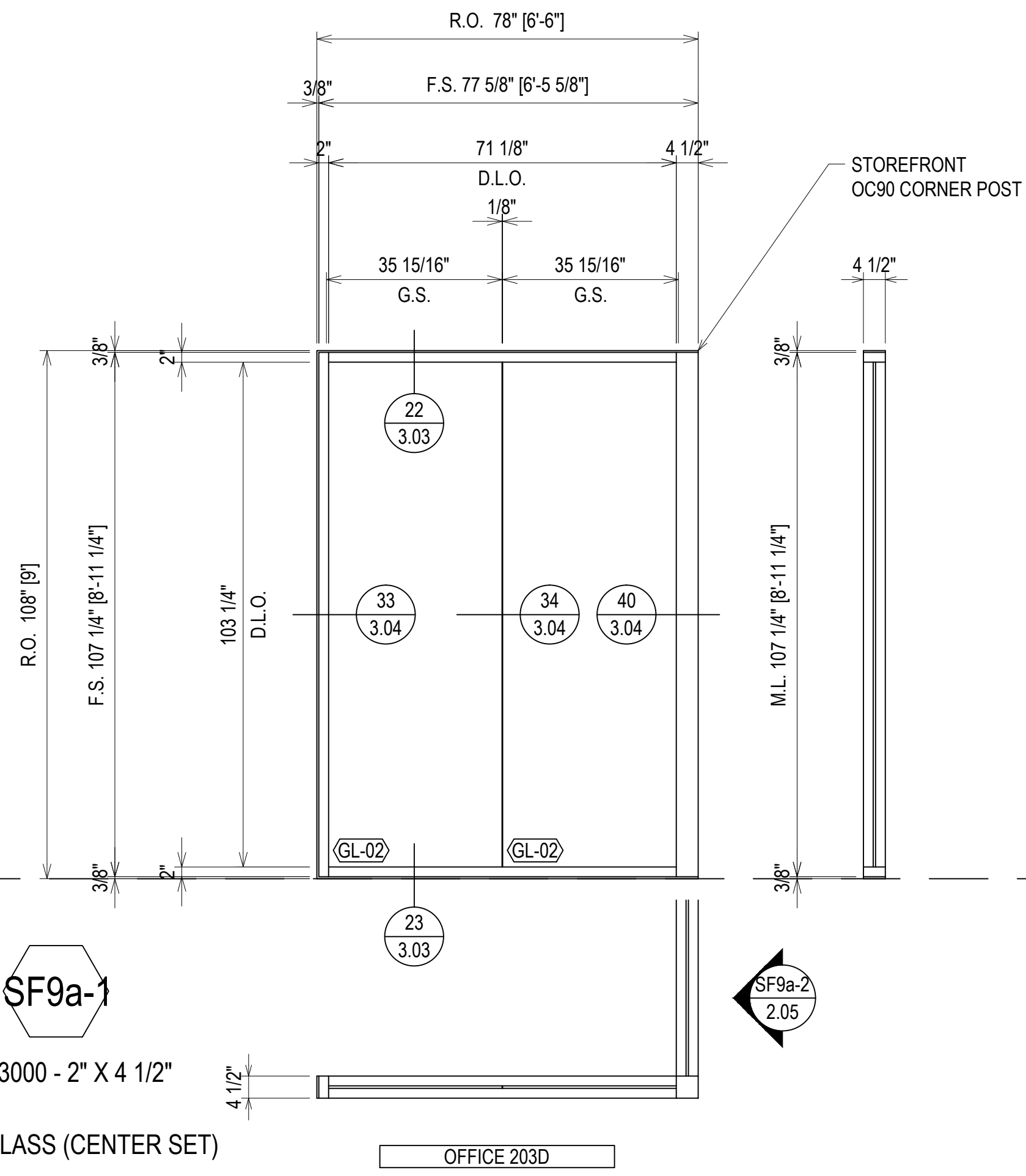


DRAWN BY:	DATE
GL	5/2/16
APPROVED BY:	DATE
CCW	5/2/16
SCALE:	AS NOTED
FILE NO.	

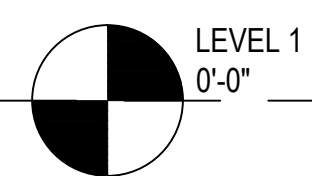
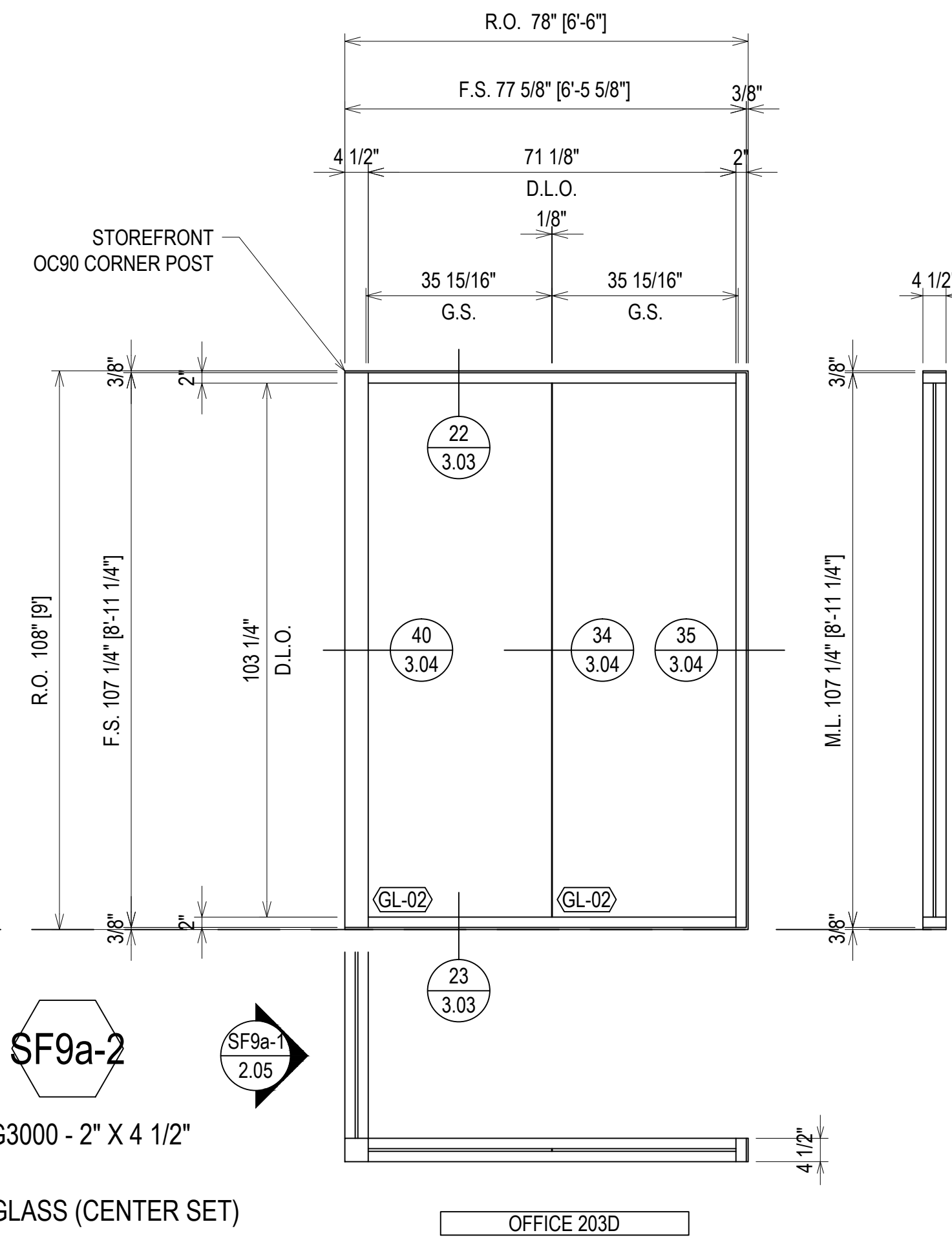
2.08



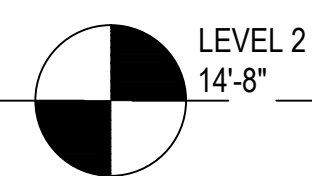
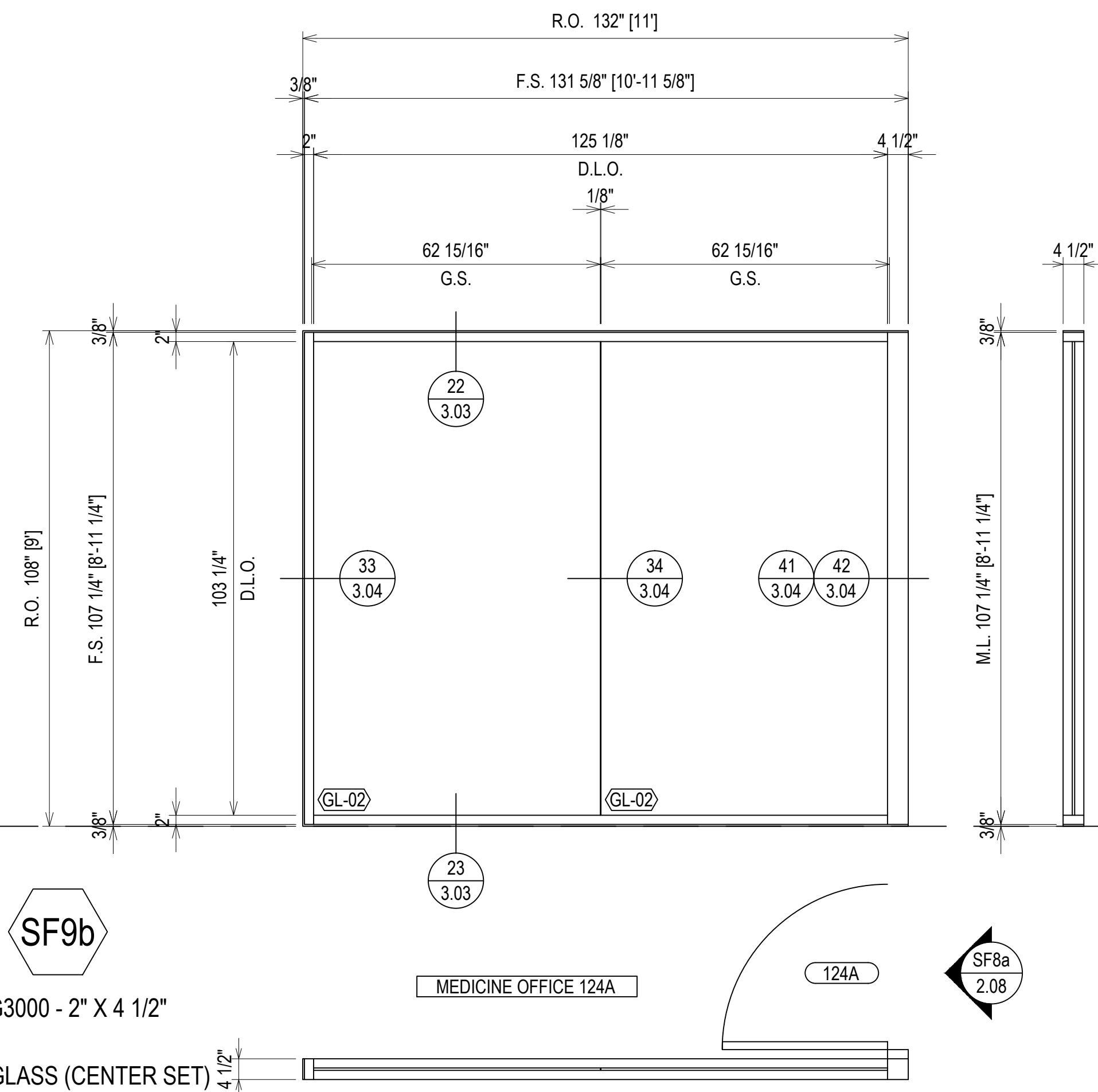
ELEVATION SF9a-1
 SCALE: 1/2=1'-0"
 OLDCASTLE BE FG3000 - 2" X 4 1/2"
 STOREFRONT
 1/2" MONOLITHIC GLASS (CENTER SET)
 QUANTITY: 1



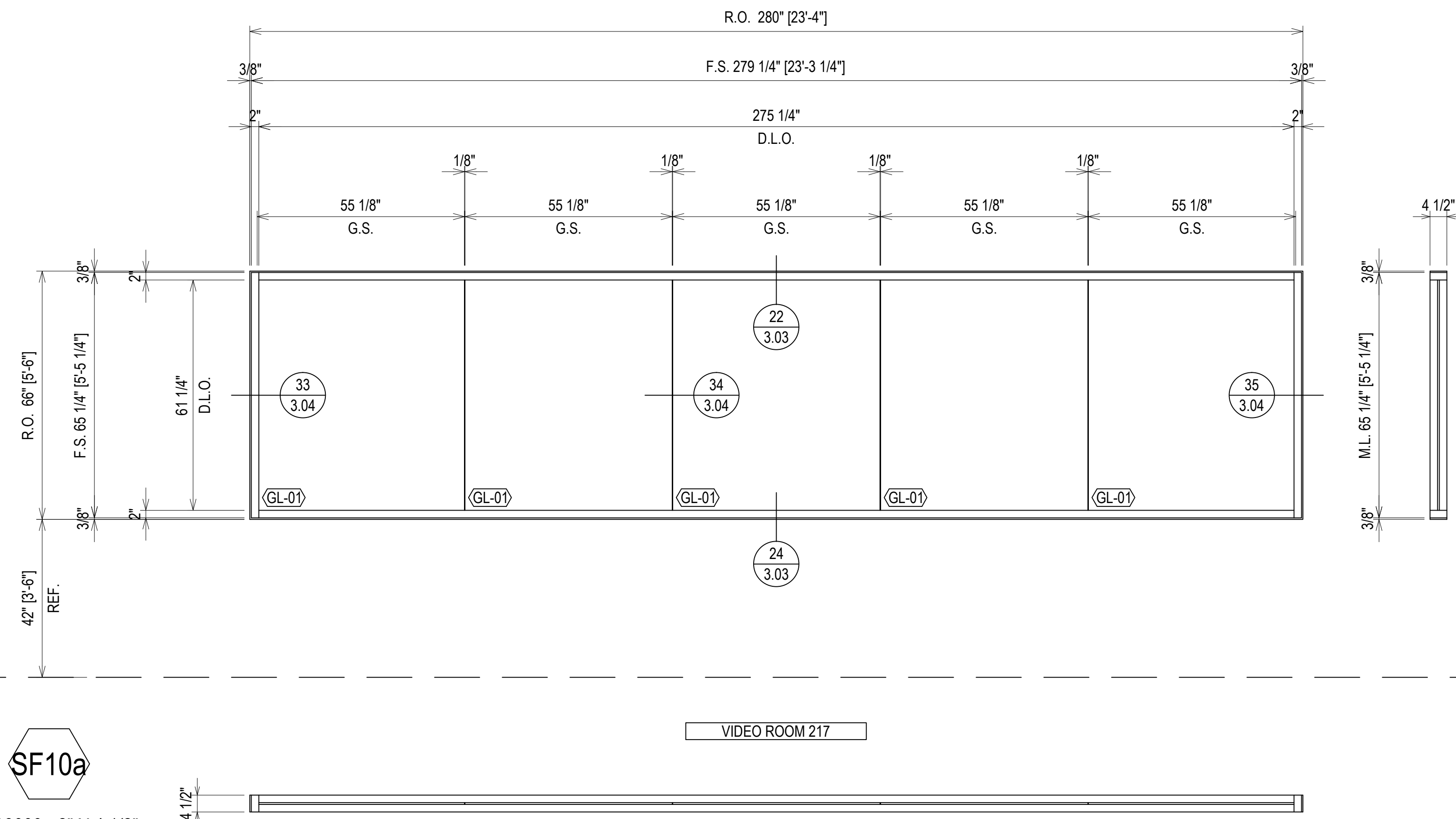
ELEVATION SF9a-2
 SCALE: 1/2=1'-0"
 OLDCASTLE BE FG3000 - 2" X 4 1/2"
 STOREFRONT
 1/2" MONOLITHIC GLASS (CENTER SET)
 QUANTITY: 1



ELEVATION SF9b
 SCALE: 1/2=1'-0"
 OLDCASTLE BE FG3000 - 2" X 4 1/2"
 STOREFRONT
 1/2" MONOLITHIC GLASS (CENTER SET)
 QUANTITY: 1



ELEVATION SF10a
 SCALE: 1/2=1'-0"
 OLDCASTLE BE FG3000 - 2" X 4 1/2"
 STOREFRONT
 1/2" MONOLITHIC GLASS (CENTER SET)
 QUANTITY: 1



DATE	05/16
DESCRIPTION	1ST SUBMISSION
REV.	▲

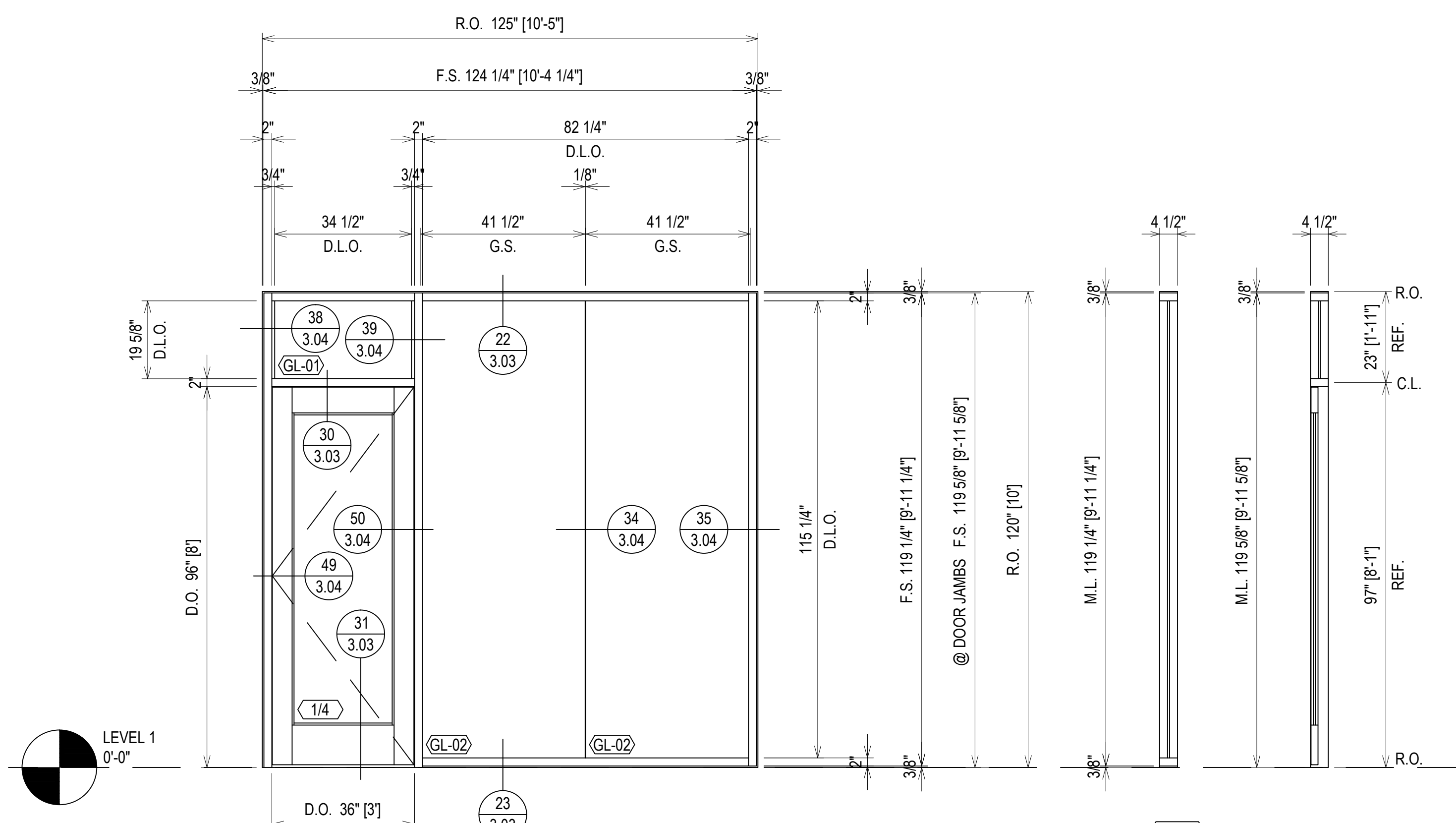
CLEMSON FOOTBALL OPERATIONS
 (INTERIOR SUBMITTAL)
 CLEMSON, SC



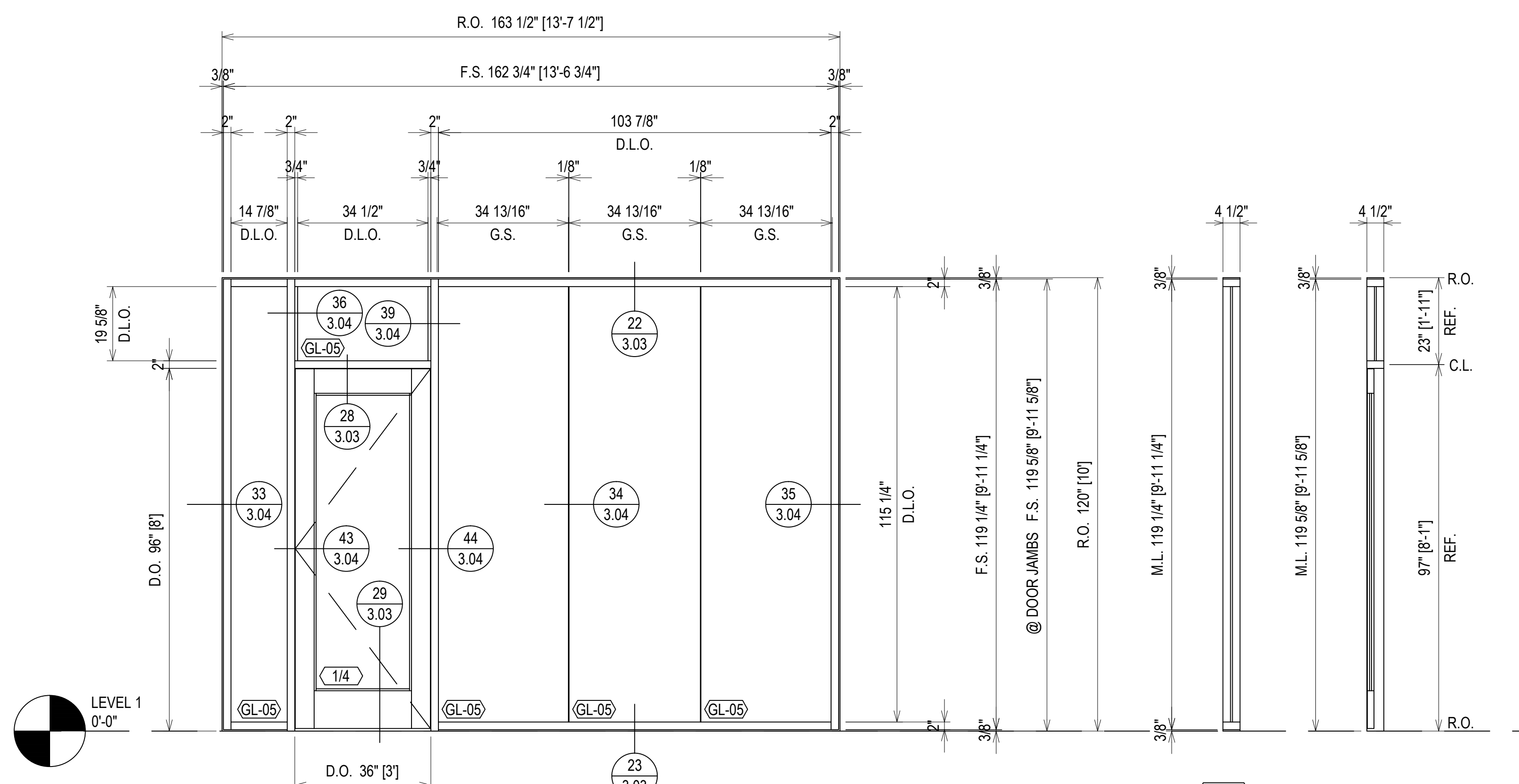
DRAWN BY	GL	DATE	5/2/16
APPROVED BY	CCV	DATE	5/2/16
SCALE	AS NOTED	FILE NO.	

ERECTOR / G.C. NOTE:
 PLEASE FIELD VERIFY ALL DIMENSIONS

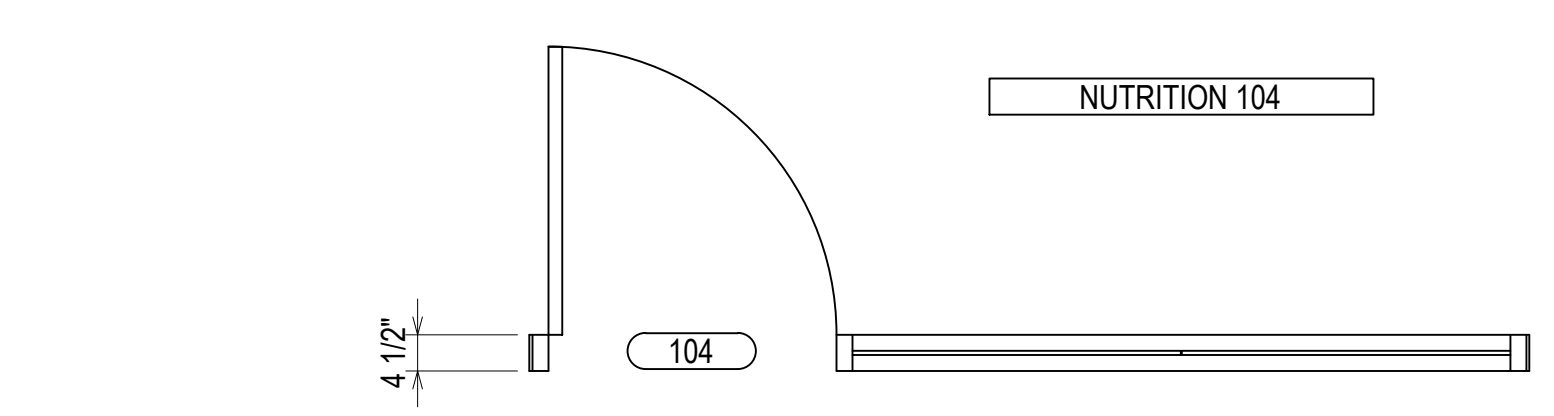
2.09



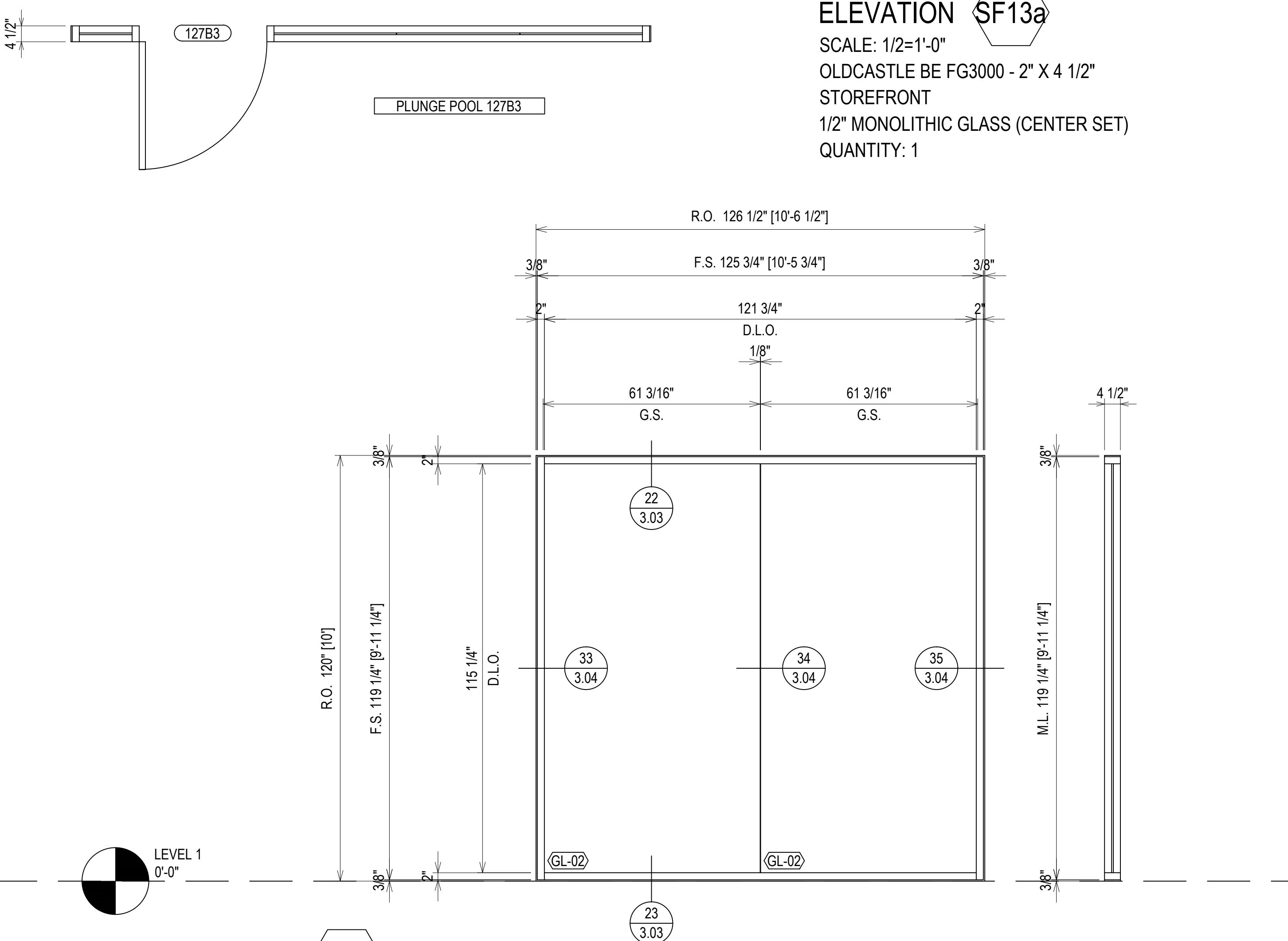
ELEVATION SF12a
 SCALE: 1/2=1'-0"
 OLDCASTLE BE FG3000 - 2" X 4 1/2"
 STOREFRONT
 1/2" MONOLITHIC GLASS (CENTER SET)
 QUANTITY: 1



ELEVATION SF13a
 SCALE: 1/2=1'-0"
 OLDCASTLE BE FG3000 - 2" X 4 1/2"
 STOREFRONT
 1/2" MONOLITHIC GLASS (CENTER SET)
 QUANTITY: 1



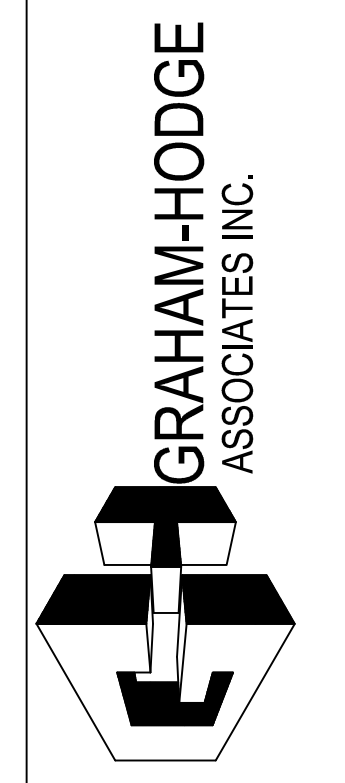
ELEVATION SF14a
 SCALE: 1/2=1'-0"
 OLDCASTLE BE FG3000 - 2" X 4 1/2"
 STOREFRONT
 1/2" MONOLITHIC GLASS (CENTER SET)
 QUANTITY: 1



ELEVATION SF14b
 SCALE: 1/2=1'-0"
 OLDCASTLE BE FG3000 - 2" X 4 1/2"
 STOREFRONT
 1/2" MONOLITHIC GLASS (CENTER SET)
 QUANTITY: 2

DATE	03/16
DESCRIPTION	1ST SUBMISSION
REV.	1

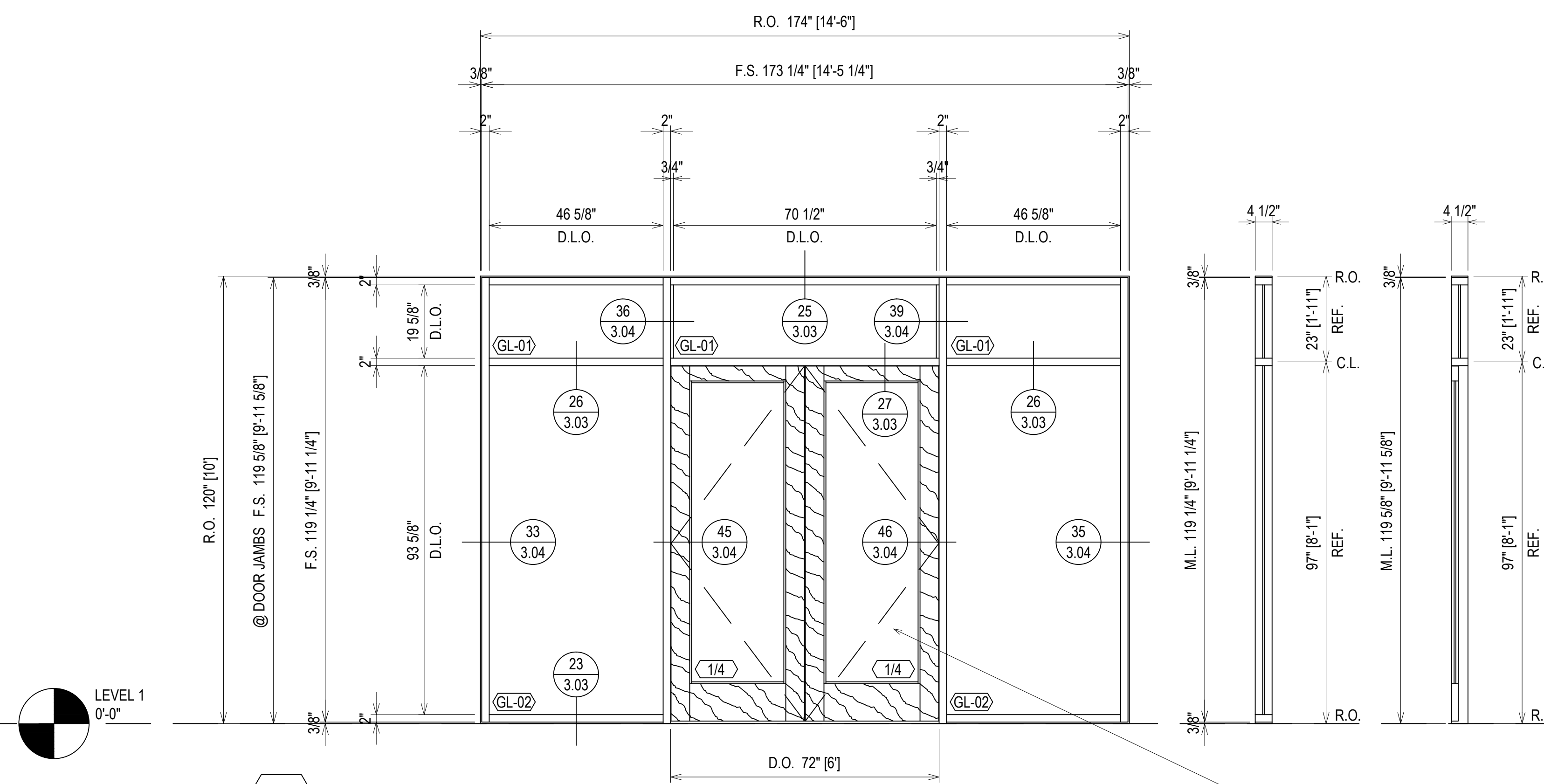
CLEMSON FOOTBALL OPERATIONS
 (INTERIOR SUBMITTAL)
 CLEMSON, SC



DRAWN BY	DATE
GL	5/2/16
APPROVED BY	DATE
CCV	5/2/16
SCALE	AS NOTED
FILE NO	

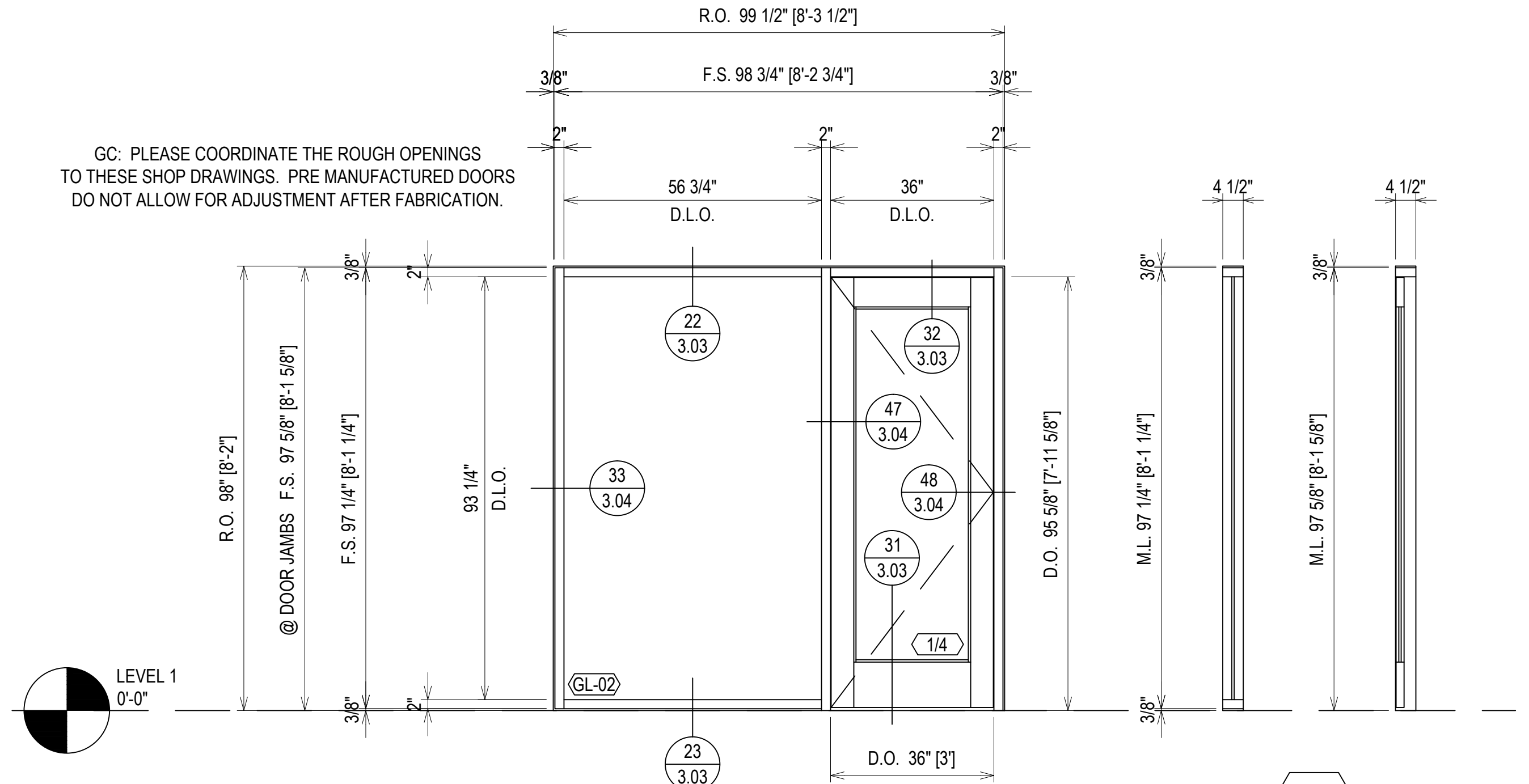
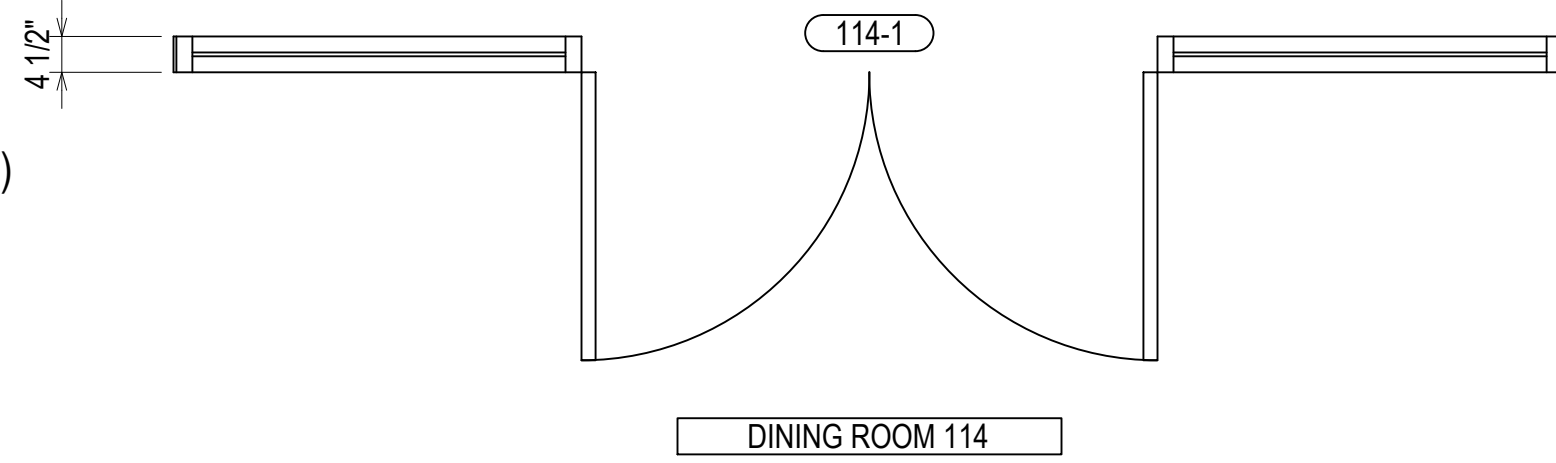
ERECTOR / G.C. NOTE:
 PLEASE FIELD VERIFY ALL DIMENSIONS

2.10



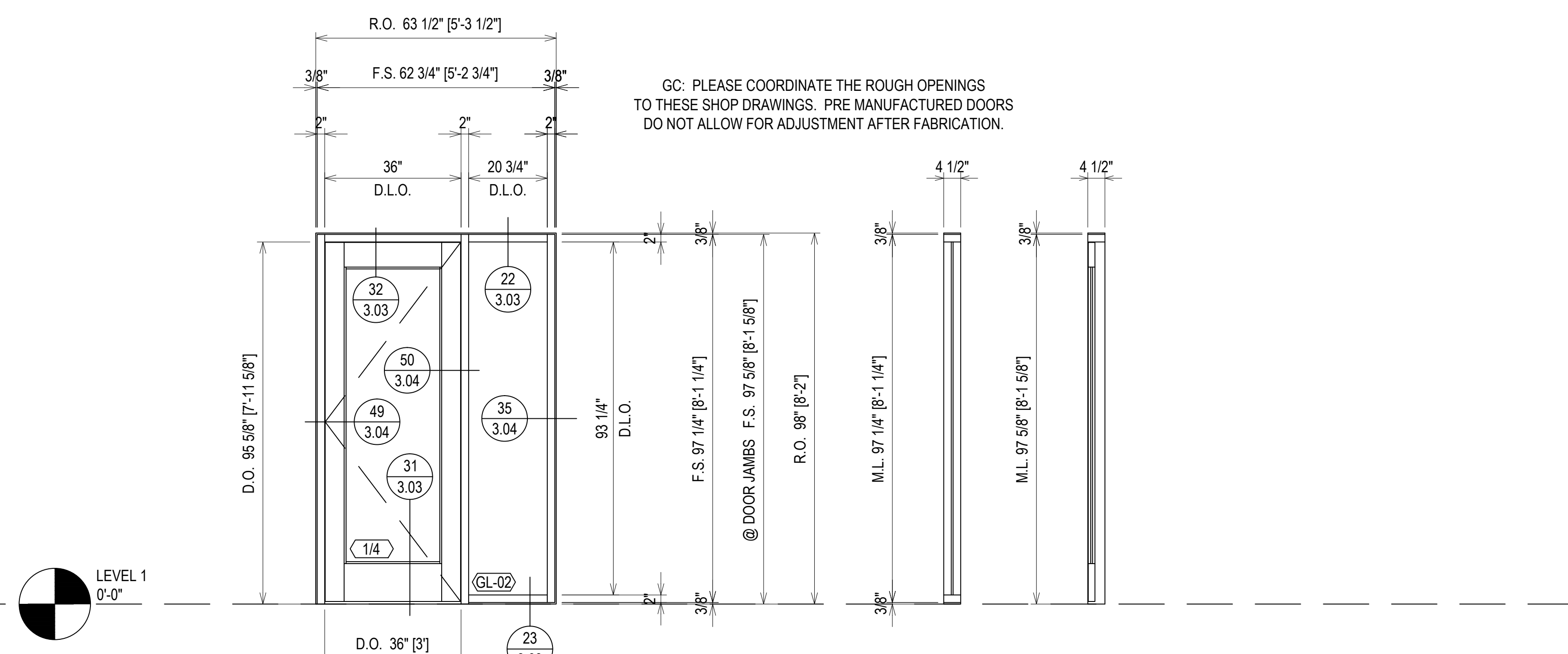
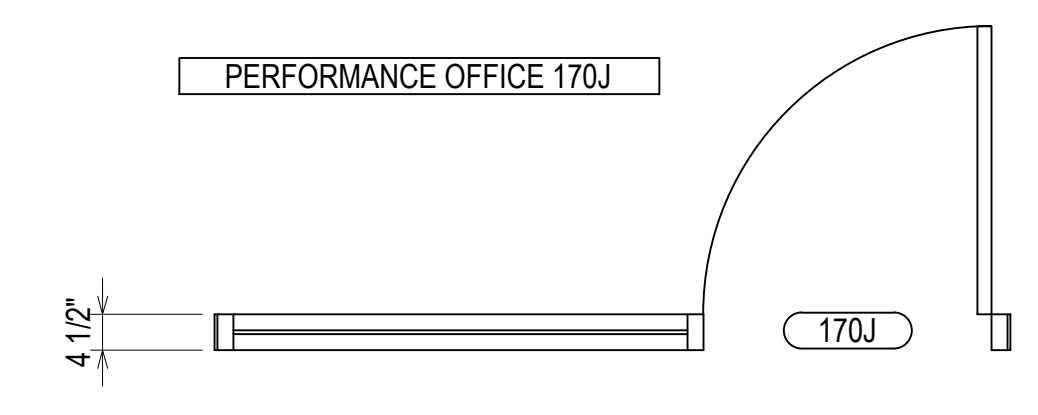
ELEVATION SF15a

SCALE: 1/2=1'-0"
 OLDCASTLE BE FG3000 - 2" X 4 1/2"
 STOREFRONT
 1/2" MONOLITHIC GLASS (CENTER SET)
 QUANTITY: 1



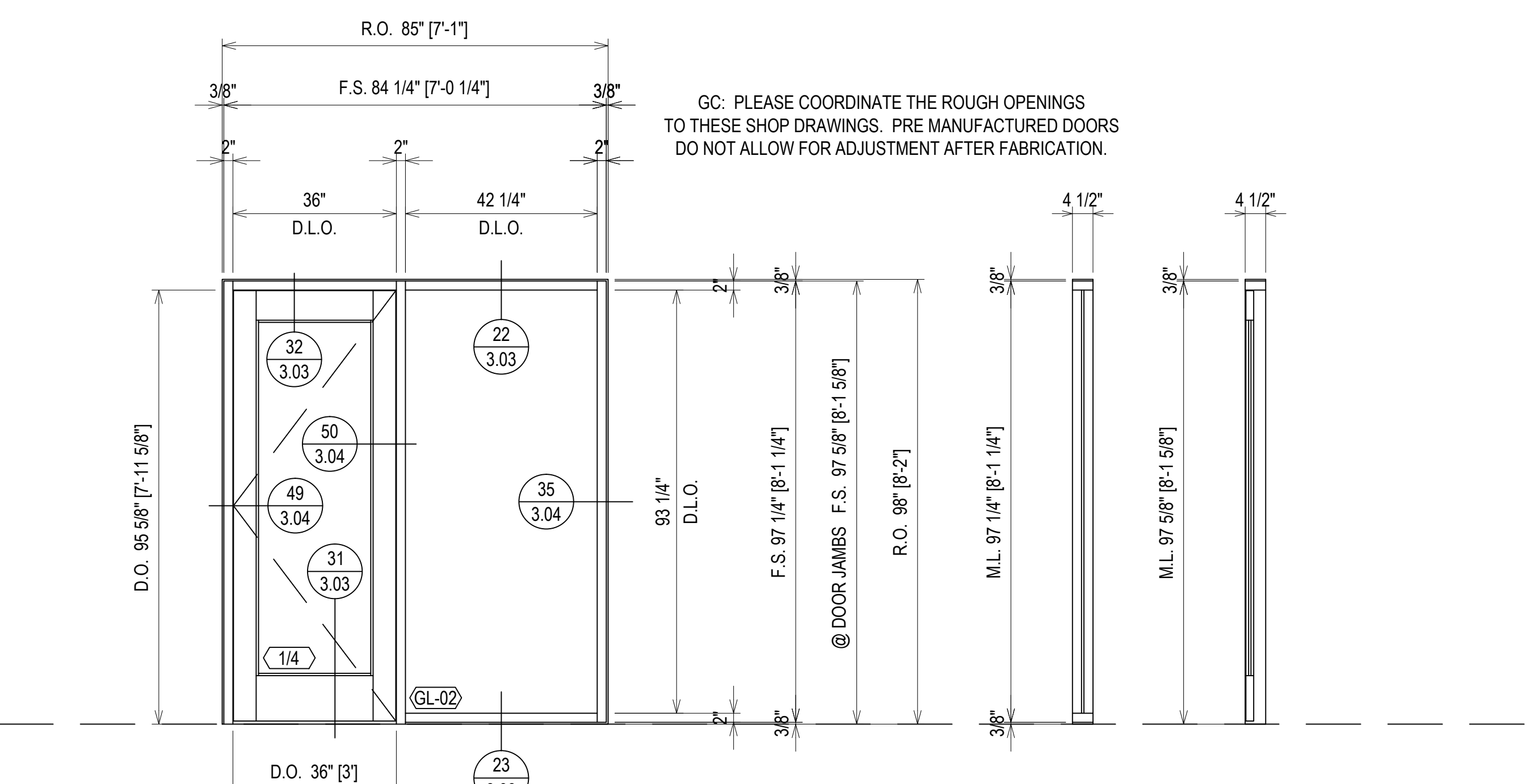
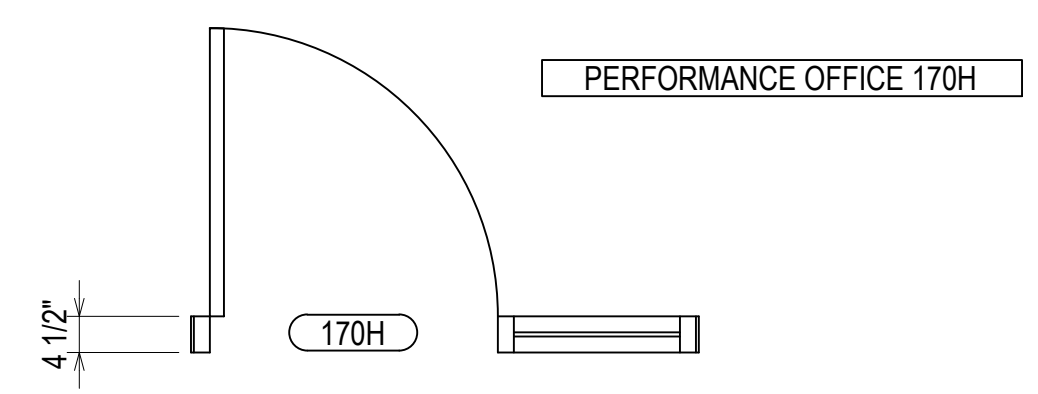
ELEVATION SF16a

SCALE: 1/2=1'-0"
 OLDCASTLE BE FG3000 - 2" X 4 1/2"
 STOREFRONT
 1/2" MONOLITHIC GLASS (CENTER SET)
 QUANTITY: 1



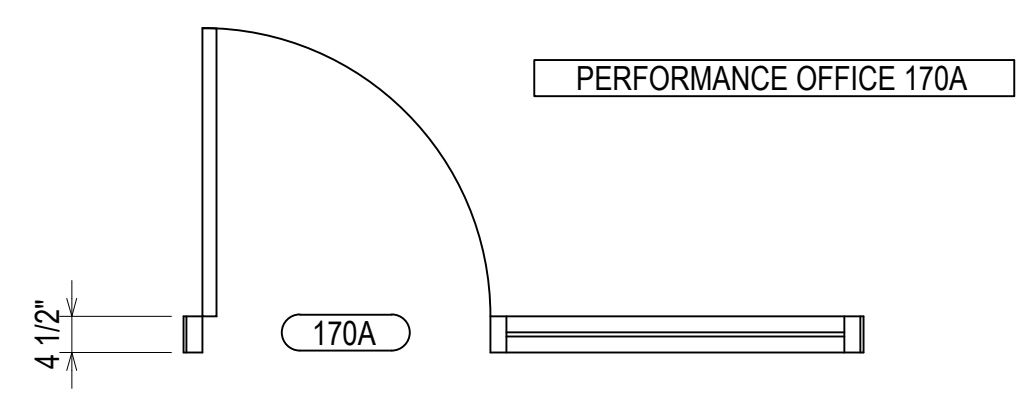
ELEVATION SF16b

SCALE: 1/2=1'-0"
 OLDCASTLE BE FG3000 - 2" X 4 1/2"
 STOREFRONT
 1/2" MONOLITHIC GLASS (CENTER SET)
 QUANTITY: 1



ELEVATION SF16c

SCALE: 1/2=1'-0"
 OLDCASTLE BE FG3000 - 2" X 4 1/2"
 STOREFRONT
 1/2" MONOLITHIC GLASS (CENTER SET)
 QUANTITY: 1



ERECTOR / G.C. NOTE:
 PLEASE FIELD VERIFY ALL DIMENSIONS

DATE	03/16
DESCRIPTION	1ST SUBMISSION
REV.	△

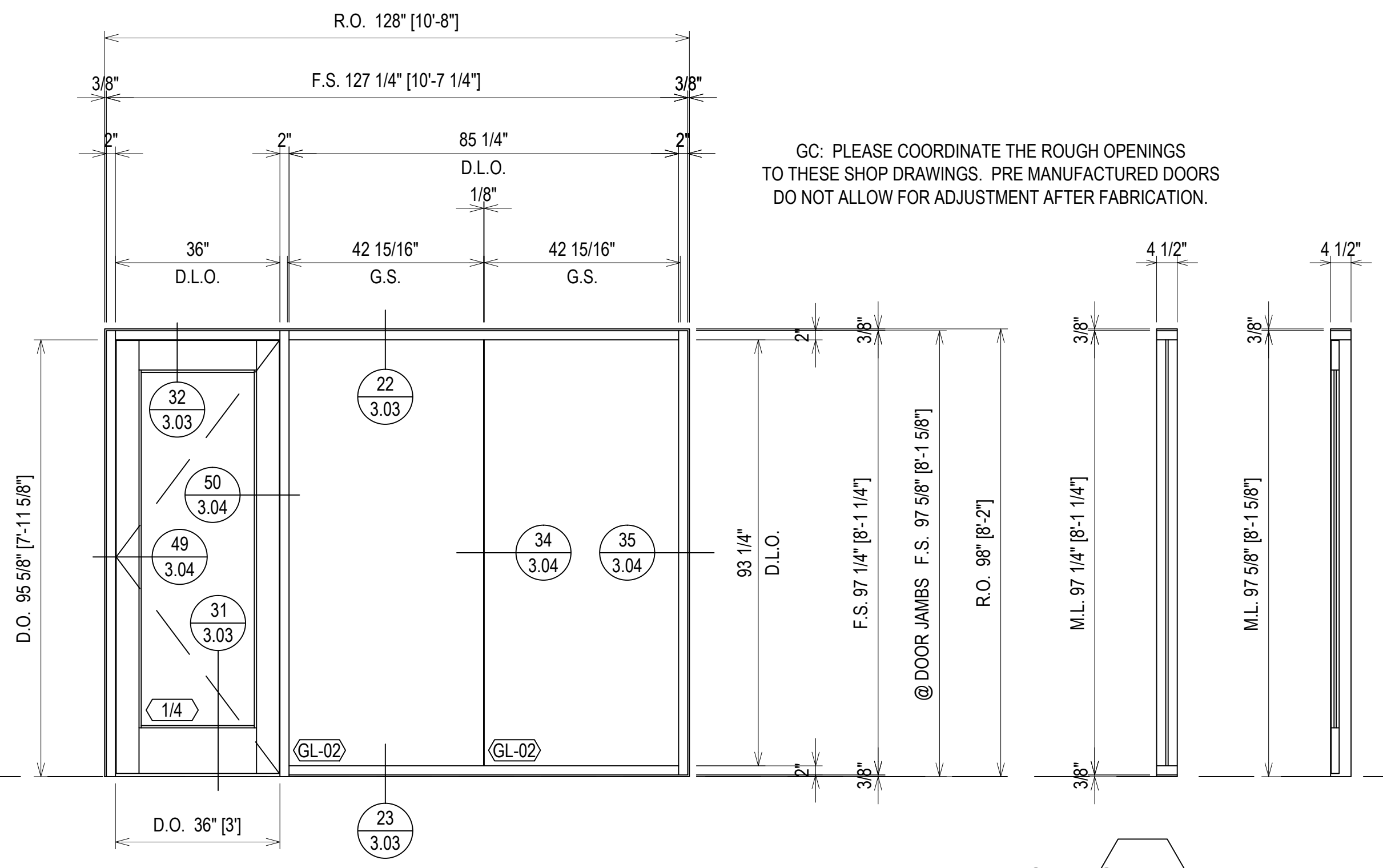
CLEMSON FOOTBALL OPERATIONS
 (INTERIOR SUBMITTAL)
 CLEMSON, SC



DRAWN BY:	DATE
GL	5/2/16
APPROVED BY:	DATE
CCW	5/2/16
SCALE	AS NOTED
FILE NO.	

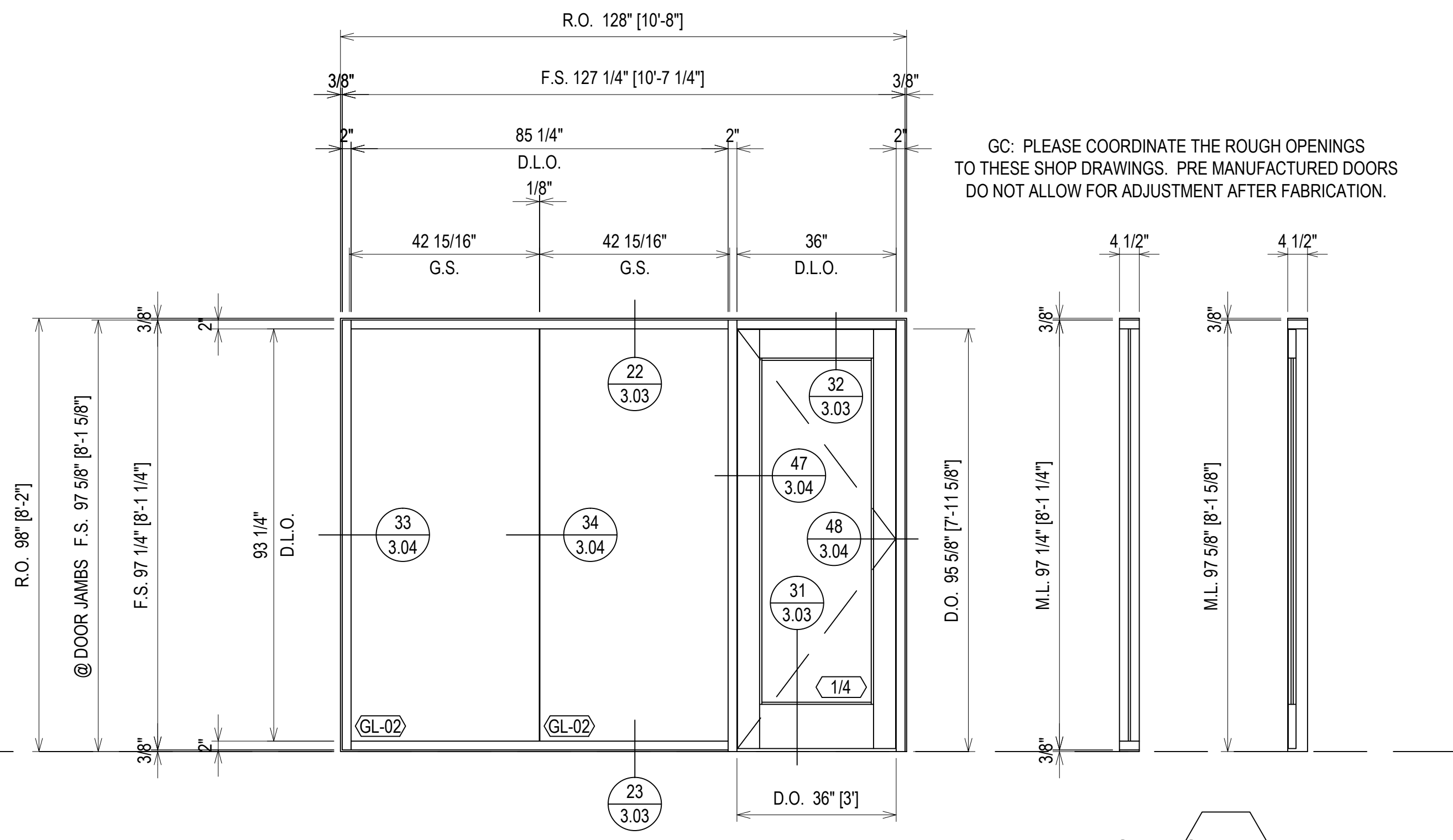
2.11

DATE	5/2/16
DESCRIPTION	1ST SUBMISSION
REV.	▲



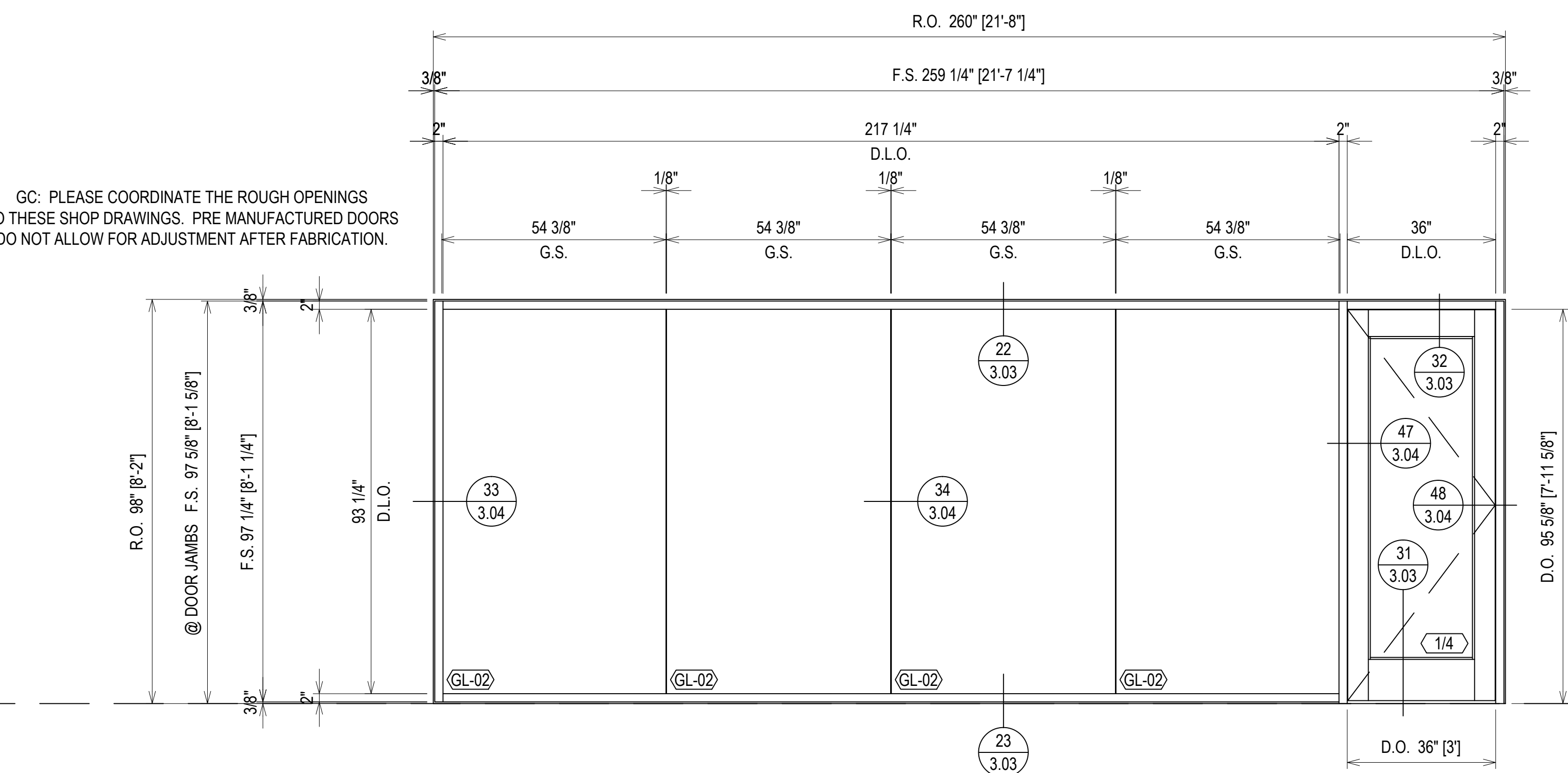
GC: PLEASE COORDINATE THE ROUGH OPENINGS TO THESE SHOP DRAWINGS. PRE MANUFACTURED DOORS DO NOT ALLOW FOR ADJUSTMENT AFTER FABRICATION.

ELEVATION SF17a
 SCALE: 1/2=1'-0"
 OLDCASTLE BE FG3000 - 2" X 4 1/2"
 STOREFRONT
 1/2" MONOLITHIC GLASS (CENTER SET)
 QUANTITY: 2



GC: PLEASE COORDINATE THE ROUGH OPENINGS TO THESE SHOP DRAWINGS. PRE MANUFACTURED DOORS DO NOT ALLOW FOR ADJUSTMENT AFTER FABRICATION.

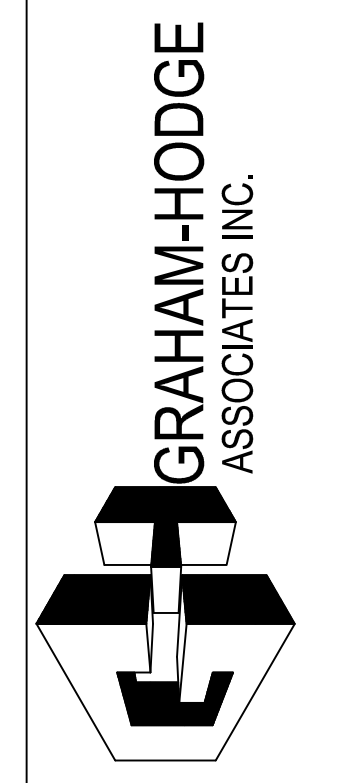
ELEVATION SF17b
 SCALE: 1/2=1'-0"
 OLDCASTLE BE FG3000 - 2" X 4 1/2"
 STOREFRONT
 1/2" MONOLITHIC GLASS (CENTER SET)
 QUANTITY: 2



GC: PLEASE COORDINATE THE ROUGH OPENINGS TO THESE SHOP DRAWINGS. PRE MANUFACTURED DOORS DO NOT ALLOW FOR ADJUSTMENT AFTER FABRICATION.

ELEVATION SF19a
 SCALE: 1/2=1'-0"
 OLDCASTLE BE FG3000 - 2" X 4 1/2"
 STOREFRONT
 1/2" MONOLITHIC GLASS (CENTER SET)
 QUANTITY: 1

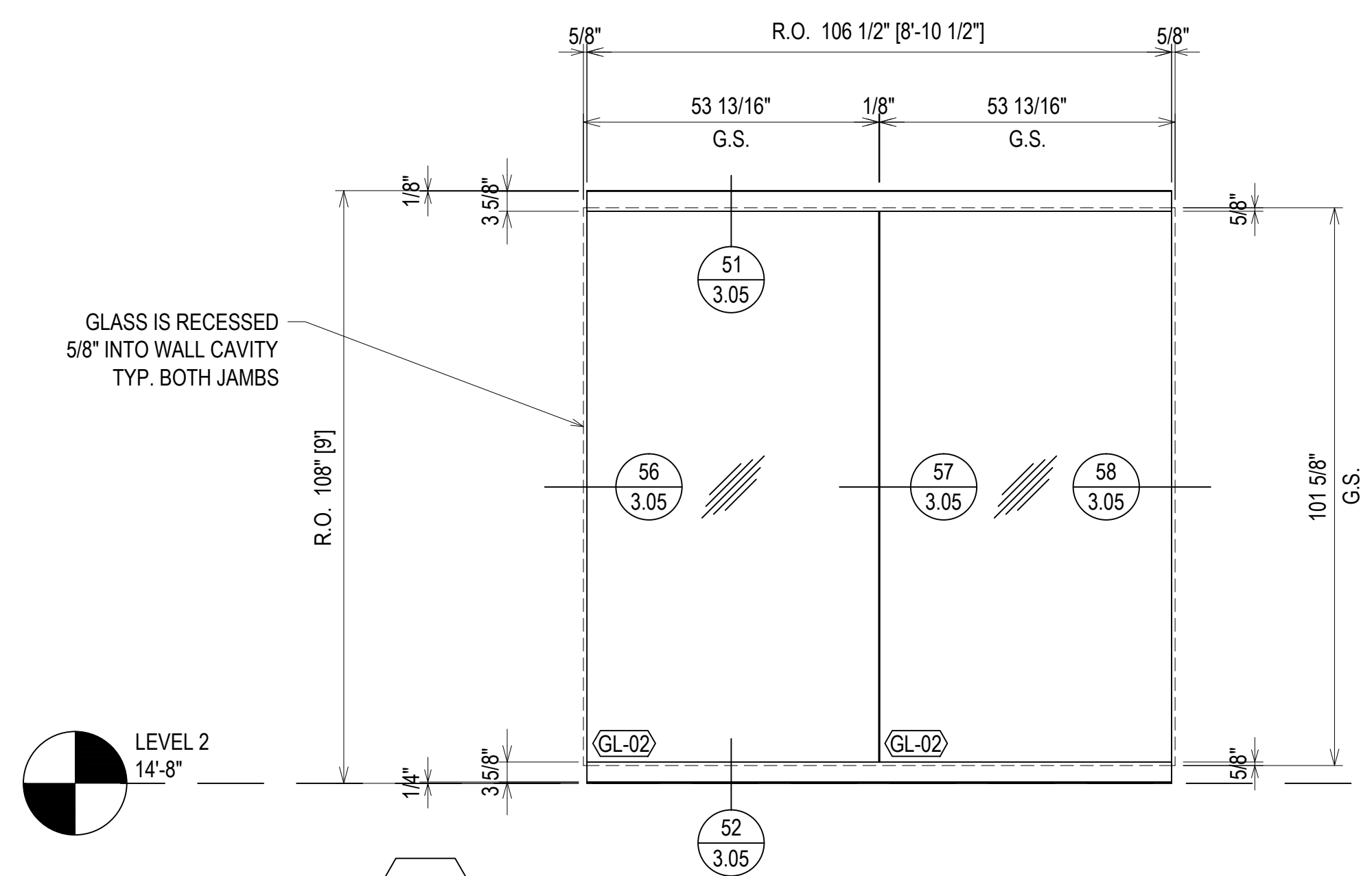
CLEMSON FOOTBALL OPERATIONS
 (INTERIOR SUBMITTAL)
 CLEMSON, SC



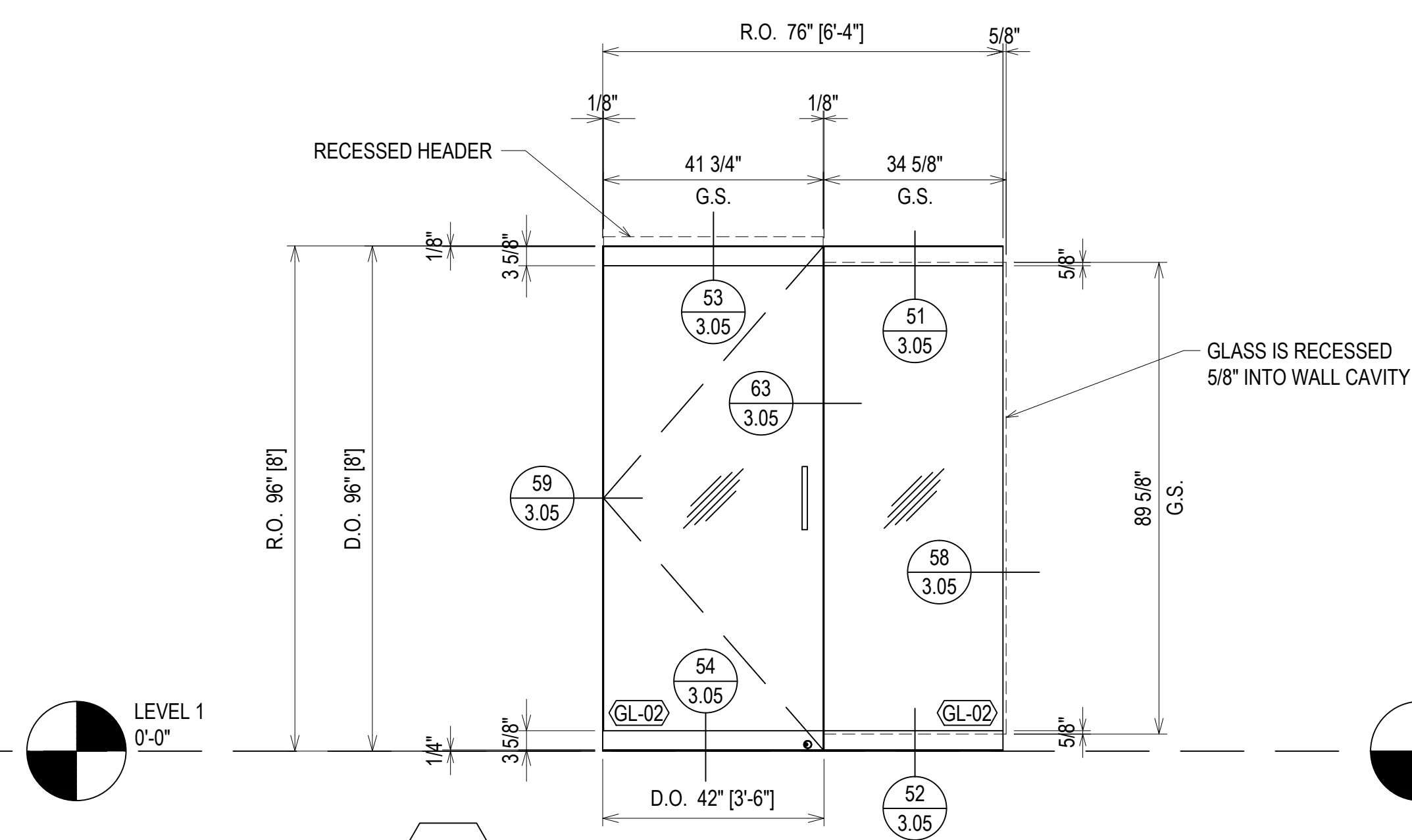
DRAWN BY:	DATE:
GL	5/2/16
APPROVED BY:	DATE:
CCV	5/2/16
SCALE:	AS NOTED
FILE NO.	

ERECTOR / G.C. NOTE:
 PLEASE FIELD VERIFY ALL DIMENSIONS

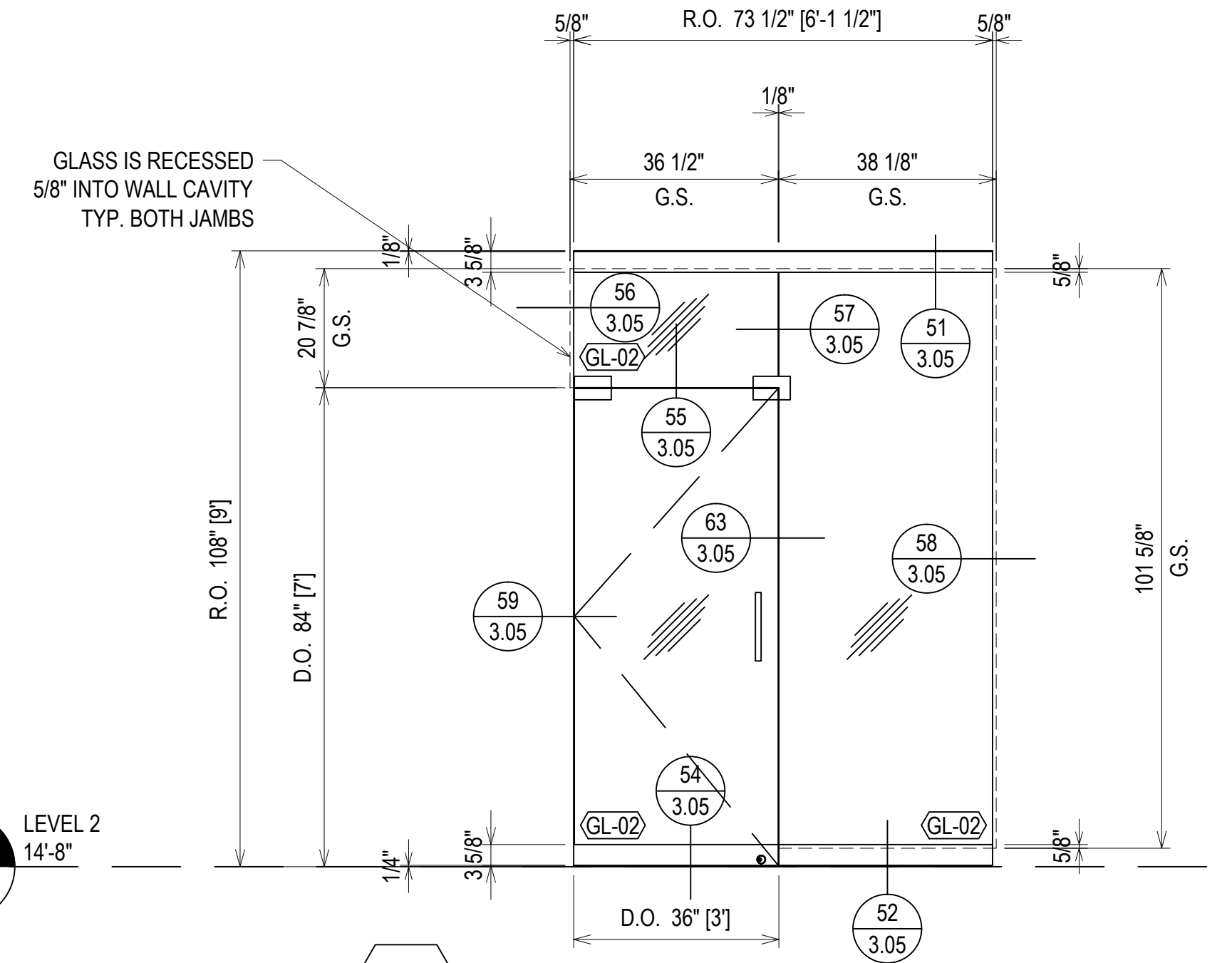
2.12



ELEVATION SF20a
 SCALE: 1/2" = 1'-0"
 ALL GLASS ENTRANCE
 1/2" MONOLITHIC GLASS
 QUANTITY: 1

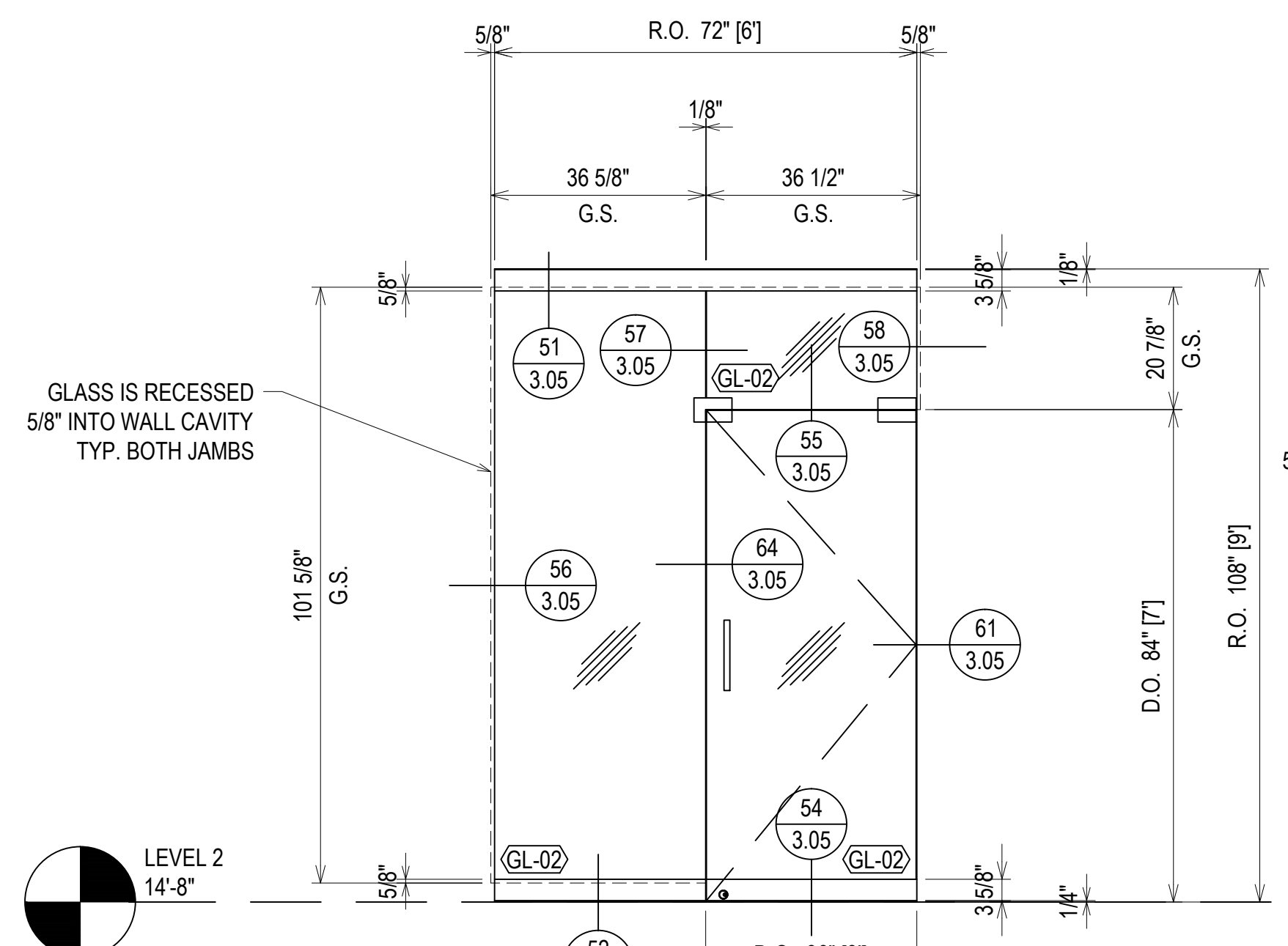


ELEVATION SF21a
 SCALE: 1/2" = 1'-0"
 ALL GLASS ENTRANCE
 1/2" MONOLITHIC GLASS
 QUANTITY: 1

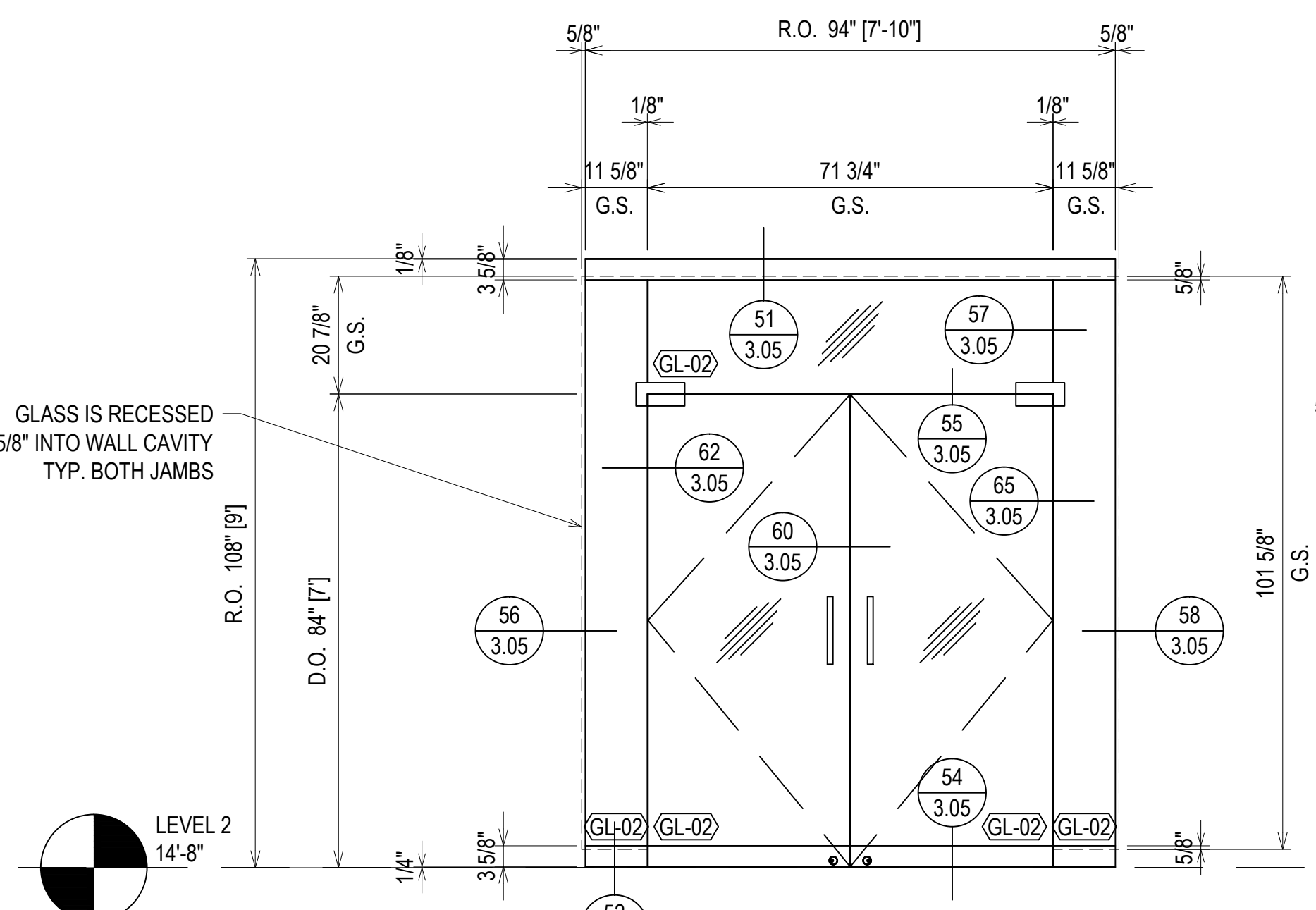


ELEVATION SF22a
 SCALE: 1/2" = 1'-0"
 ALL GLASS ENTRANCE
 1/2" MONOLITHIC GLASS
 QUANTITY: 1

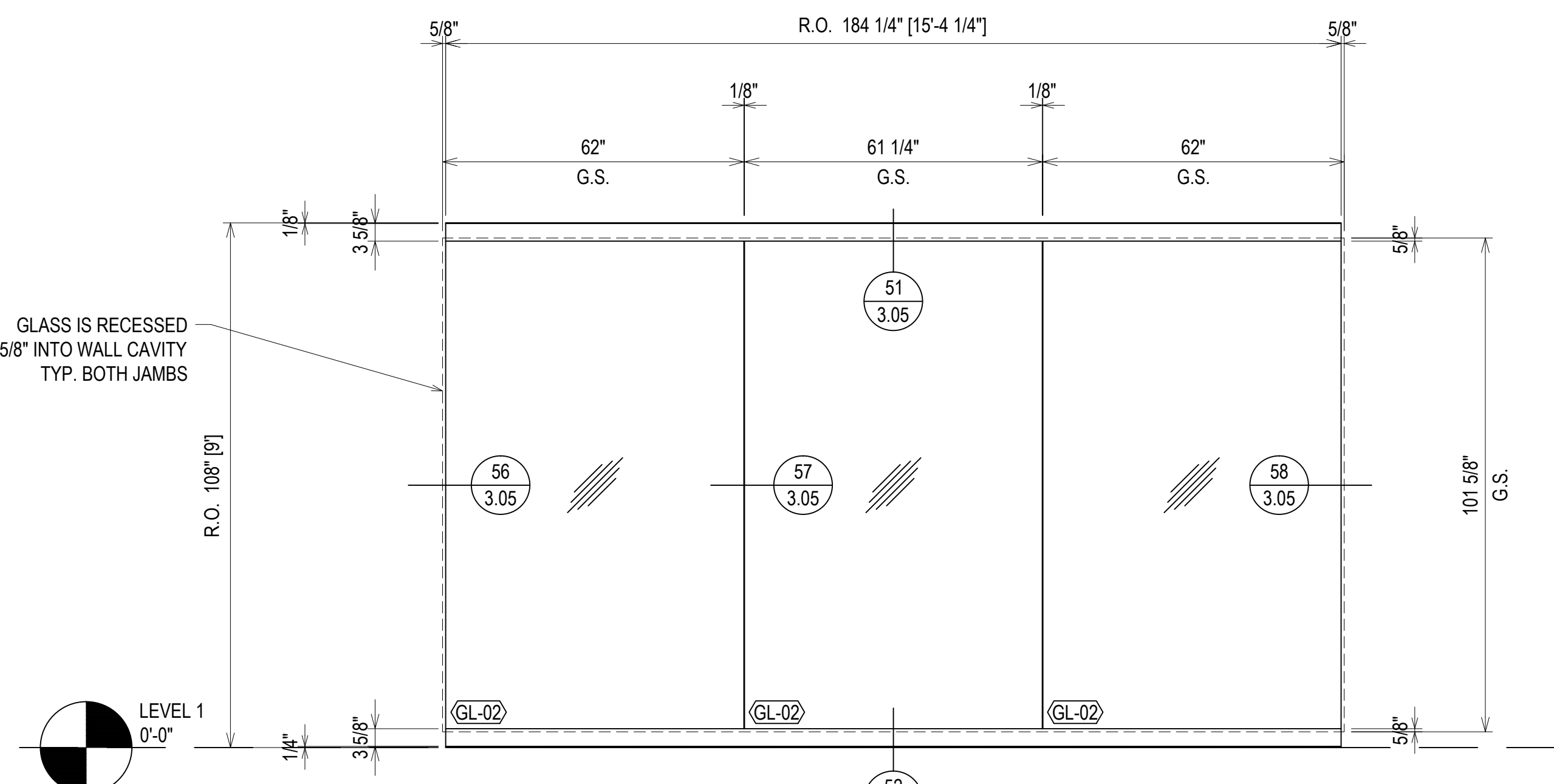
NOTE TO ARCHITECT/G.C.:
 THE DOOR SIZE SPECIFIED ON THE DOOR
 SCHEDULE AND FRAME ELEVATION DID
 NOT AGREE. PLEASE VERIFY.



ELEVATION SF22b
 SCALE: 1/2" = 1'-0"
 ALL GLASS ENTRANCE
 1/2" MONOLITHIC GLASS
 QUANTITY: 1



ELEVATION SF23a
 SCALE: 1/2" = 1'-0"
 ALL GLASS ENTRANCE
 1/2" MONOLITHIC GLASS
 QUANTITY: 1

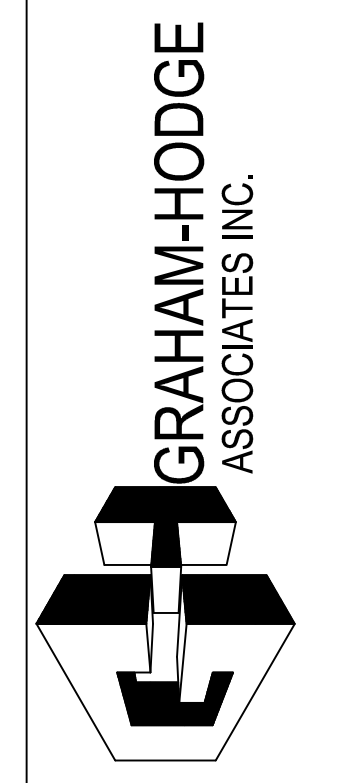


ELEVATION SF24a
 SCALE: 1/2" = 1'-0"
 ALL GLASS ENTRANCE
 1/2" MONOLITHIC GLASS
 QUANTITY: 1

ERECTOR / G.C. NOTE:
 PLEASE FIELD VERIFY ALL DIMENSIONS

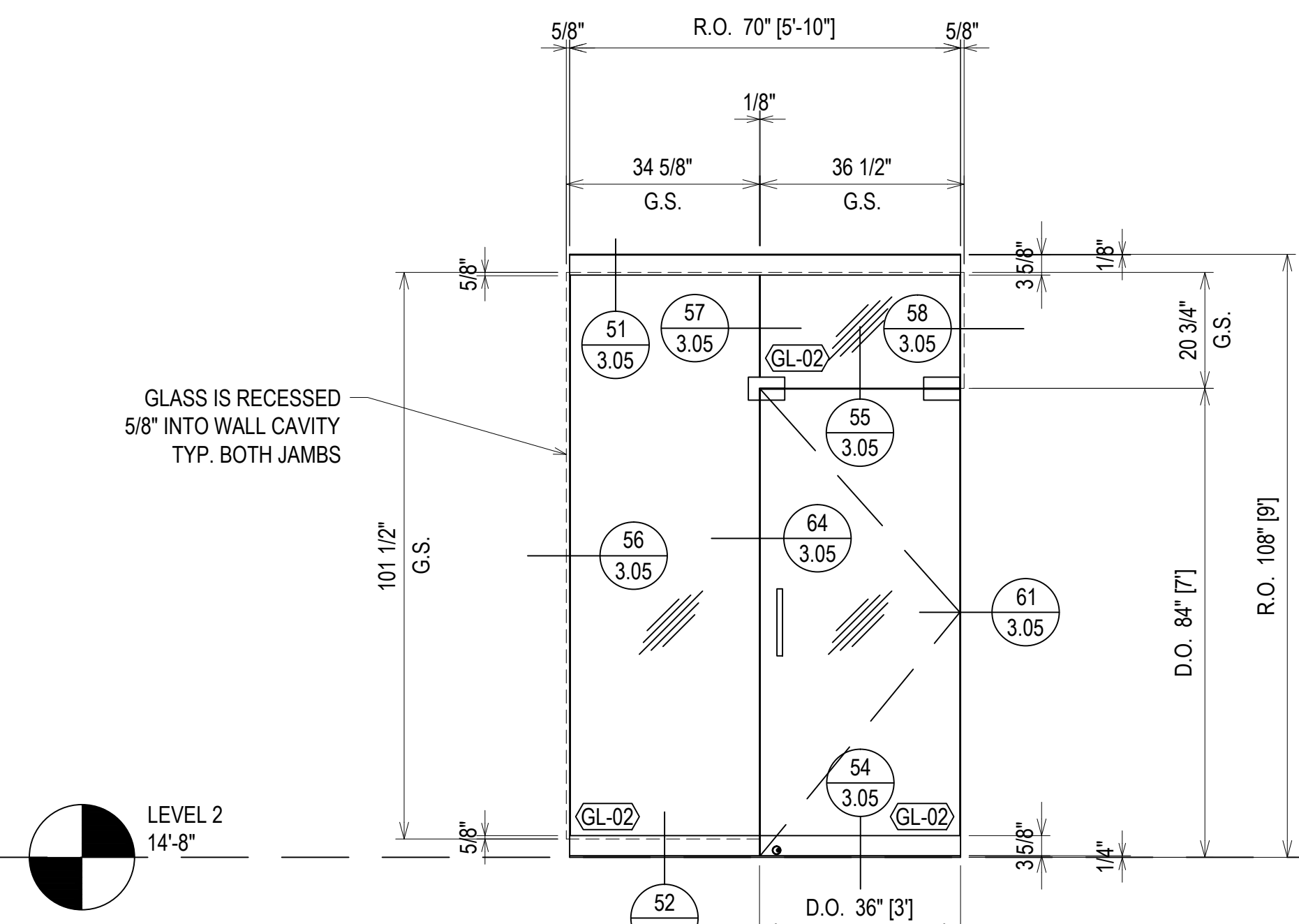
DATE	05/16
DESCRIPTION	1ST SUBMISSION
REV.	1

CLEMSON FOOTBALL OPERATIONS
 (INTERIOR SUBMITTAL)
 CLEMSON, SC

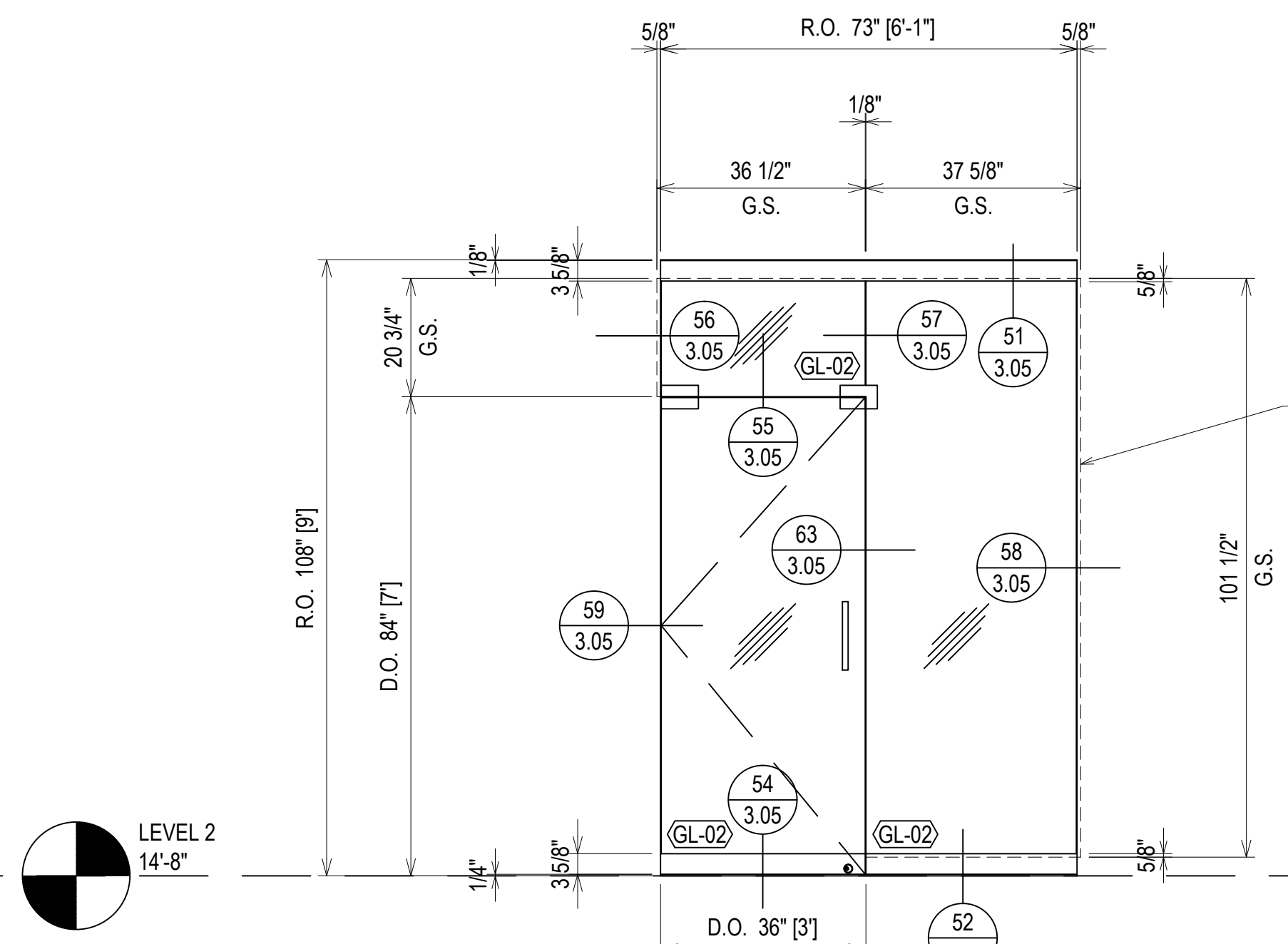
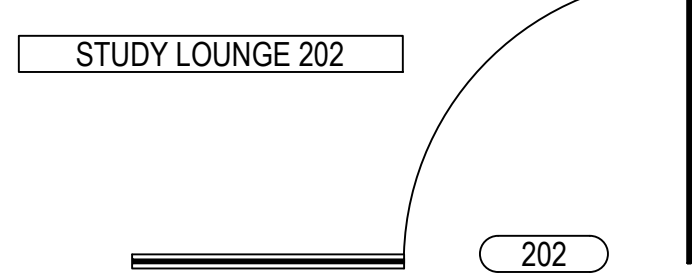


DRAWN BY	GL	DATE	5/2/16
APPROVED BY	CCV	DATE	5/2/16
SCALE	AS NOTED	FILE NO.	

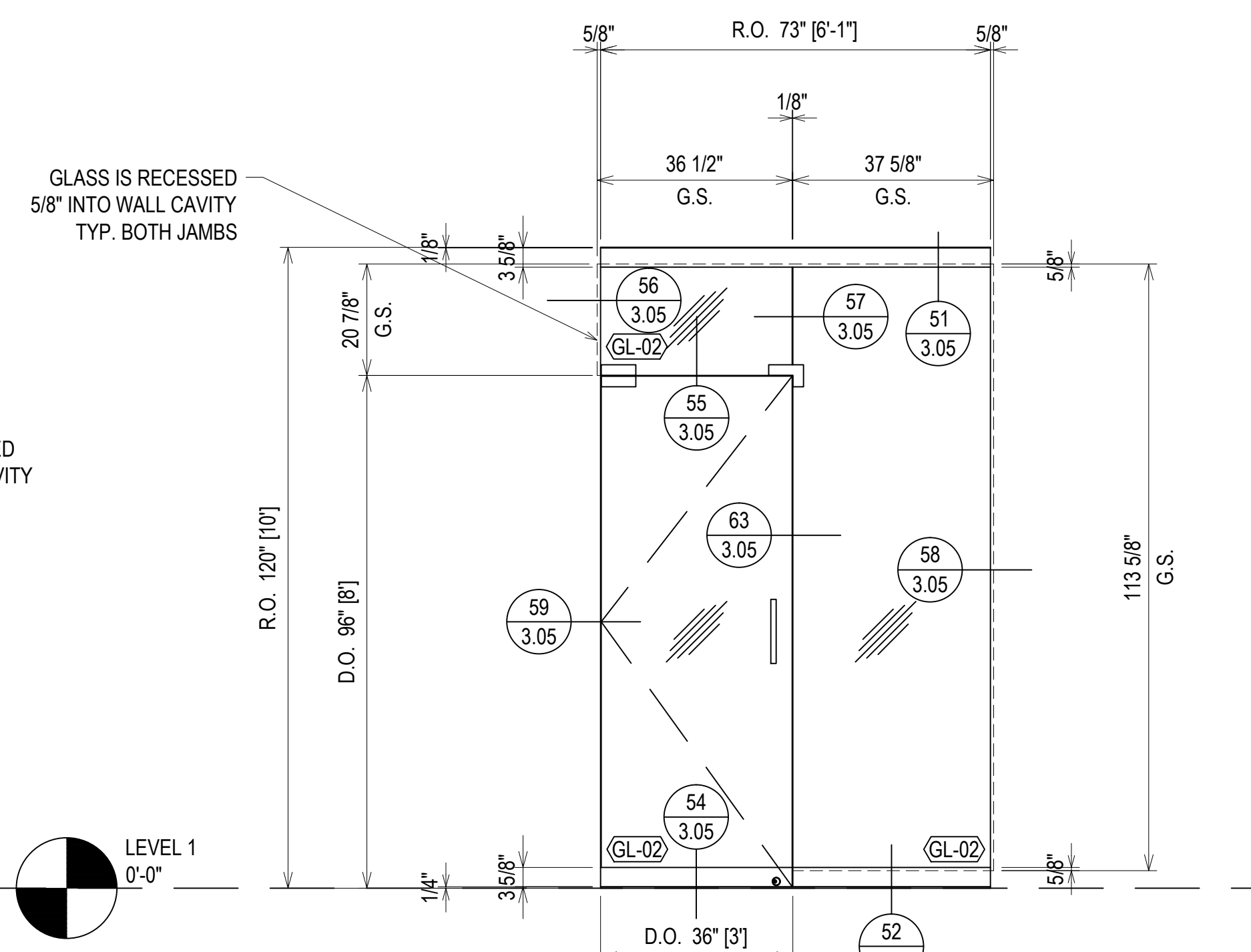
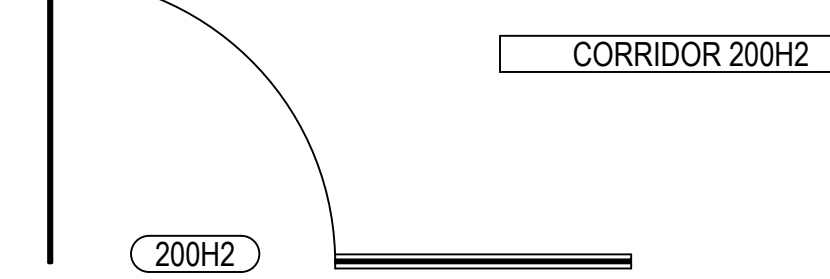
2.13



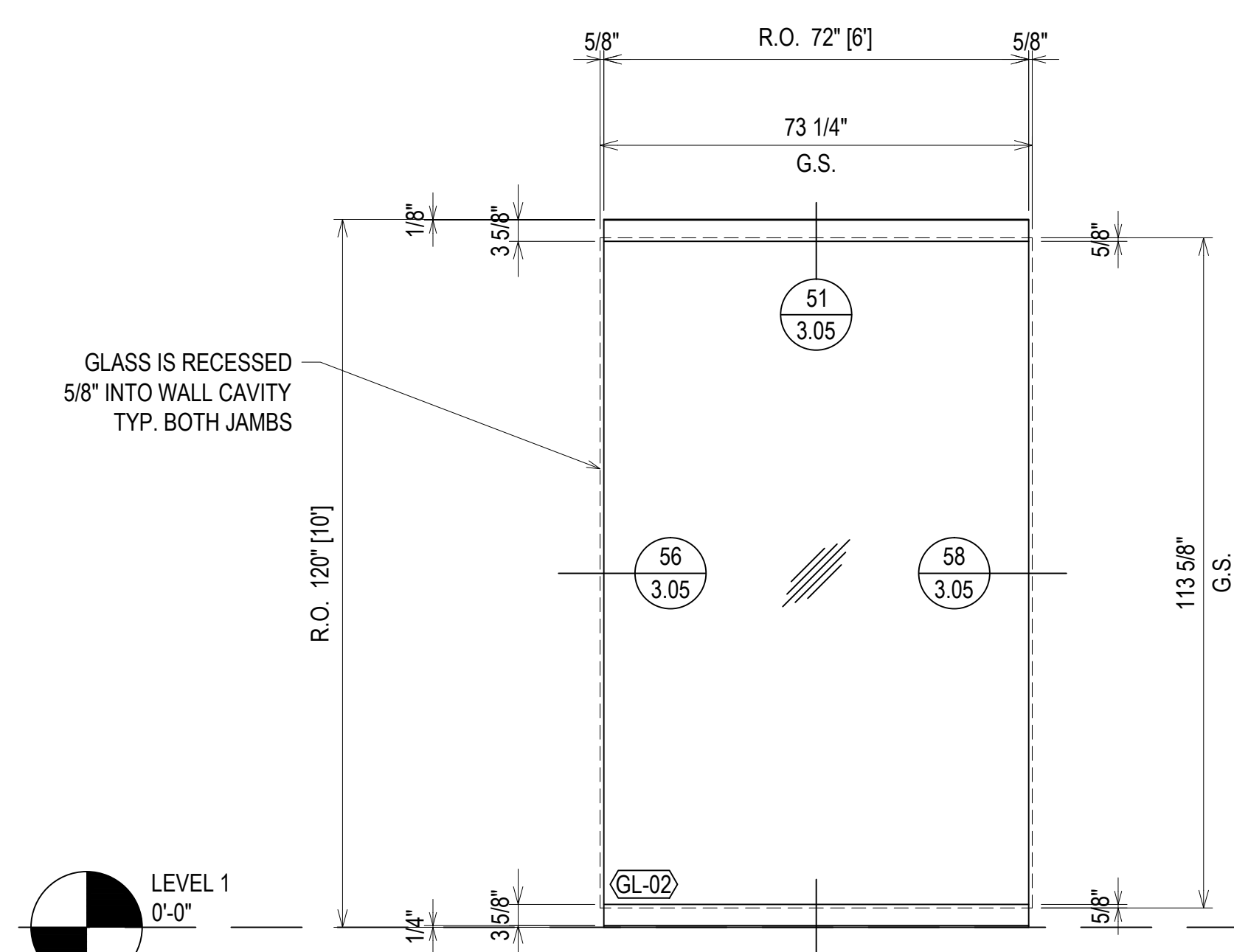
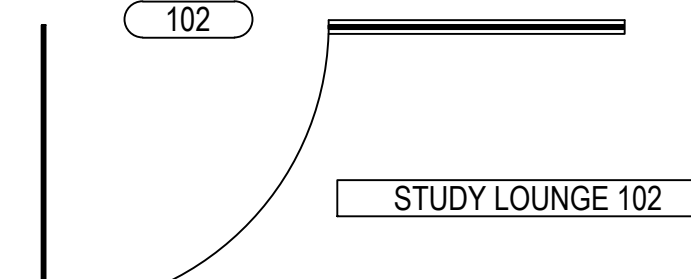
ELEVATION SF25a
 SCALE: 1/2" = 1'-0"
 ALL GLASS ENTRANCE
 1/2" MONOLITHIC GLASS
 QUANTITY: 1



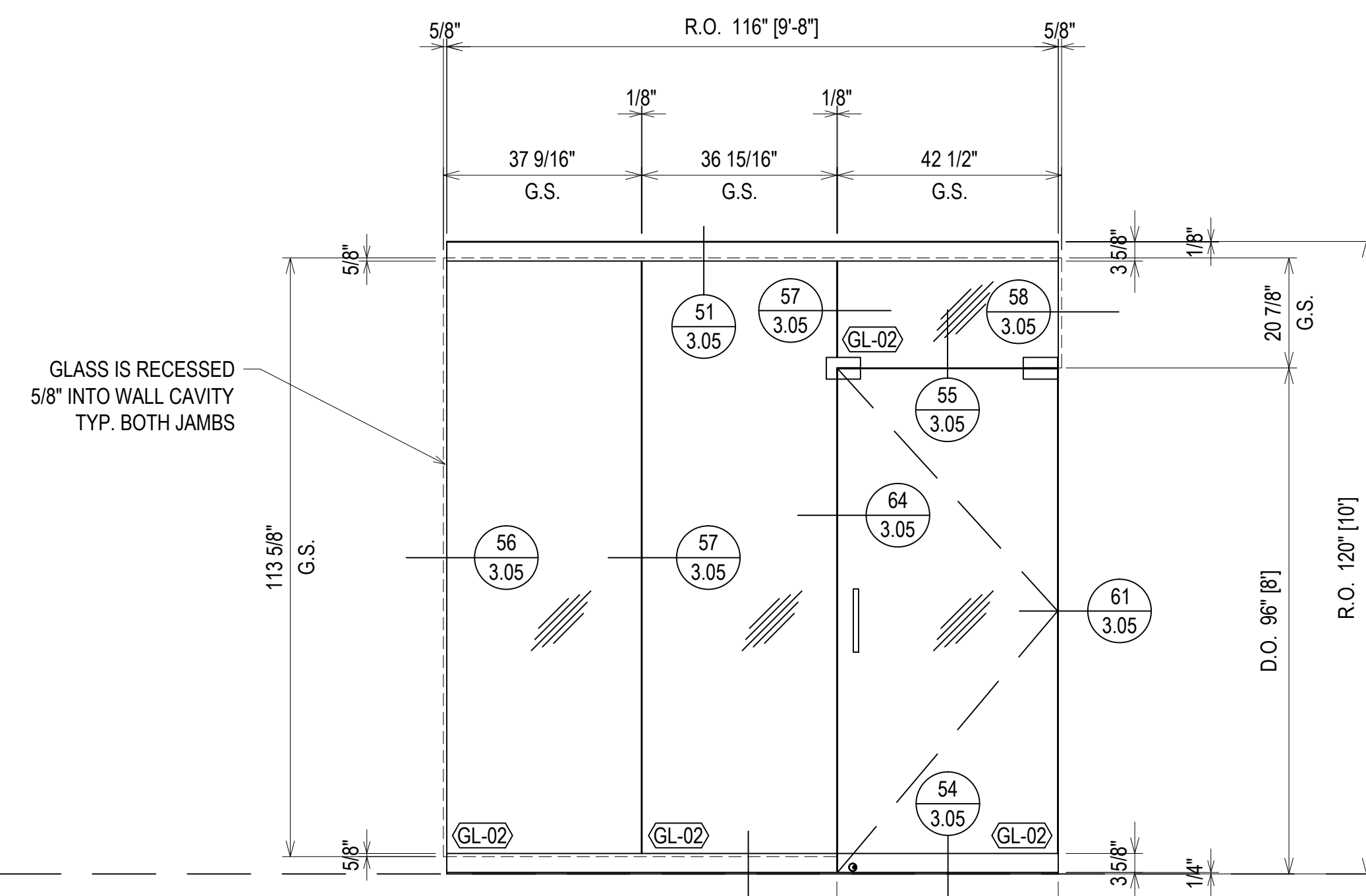
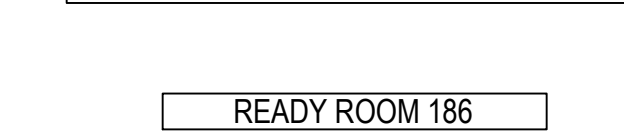
ELEVATION SF25b
 SCALE: 1/2" = 1'-0"
 ALL GLASS ENTRANCE
 1/2" MONOLITHIC GLASS
 QUANTITY: 1



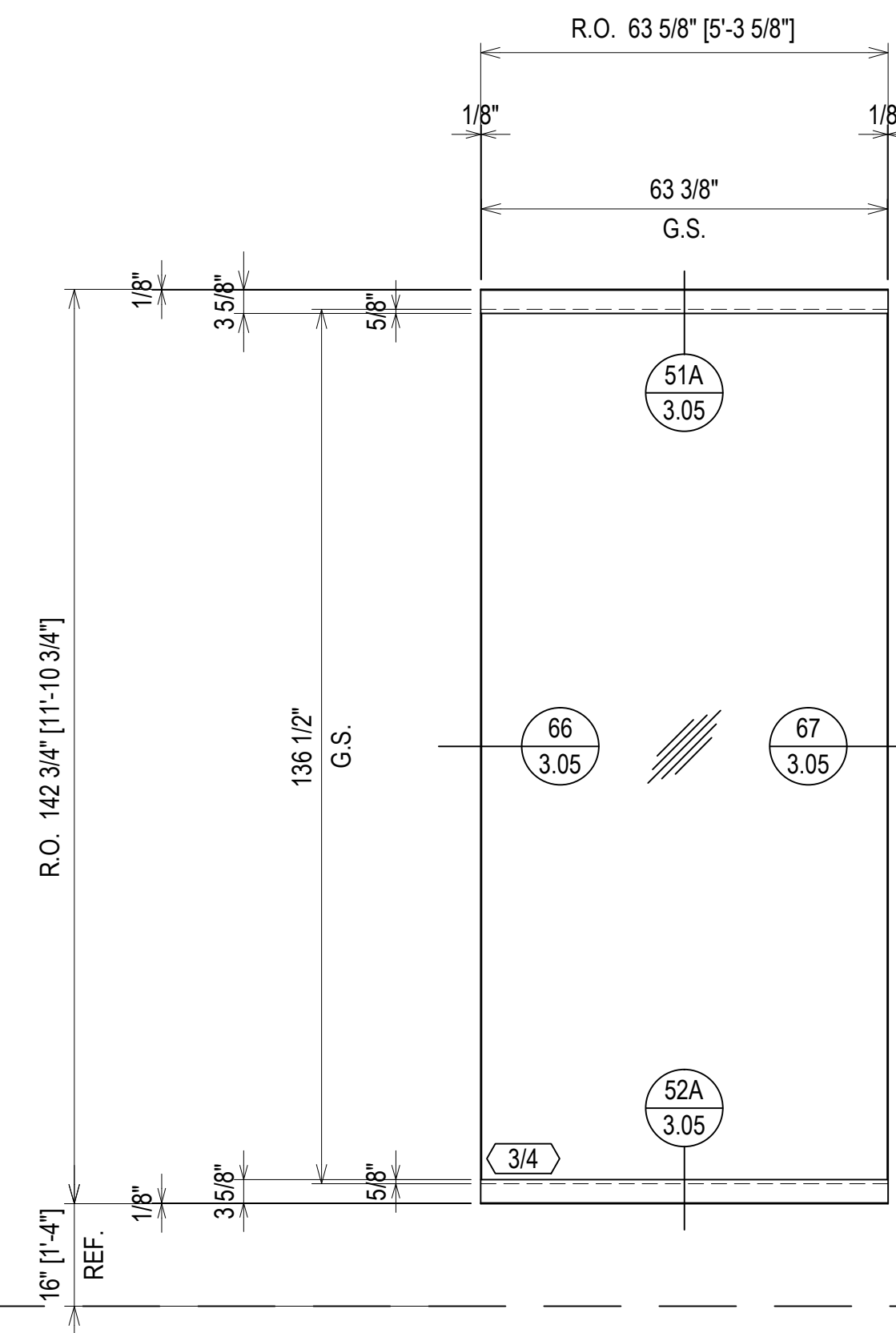
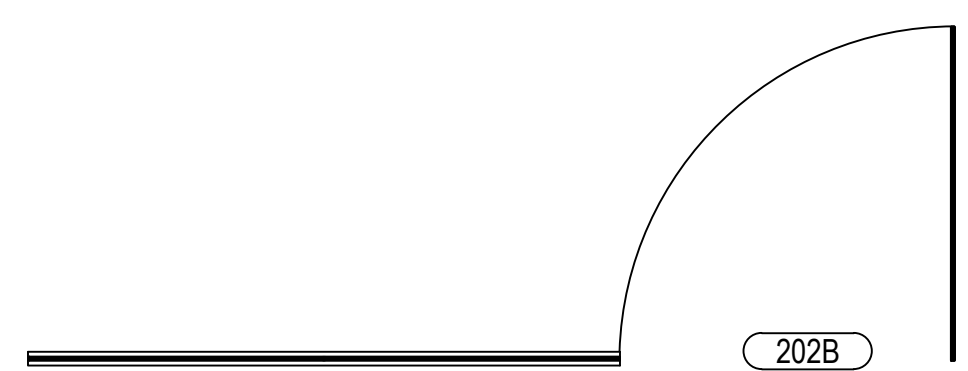
ELEVATION SF26a
 SCALE: 1/2" = 1'-0"
 ALL GLASS ENTRANCE
 1/2" MONOLITHIC GLASS
 QUANTITY: 1



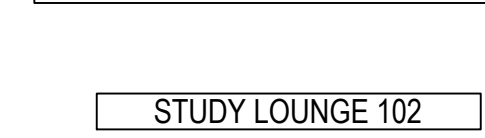
ELEVATION SF27a
 SCALE: 1/2" = 1'-0"
 ALL GLASS ENTRANCE
 1/2" MONOLITHIC GLASS
 QUANTITY: 3



ELEVATION SF28a
 SCALE: 1/2" = 1'-0"
 ALL GLASS ENTRANCE
 1/2" MONOLITHIC GLASS
 QUANTITY: 1



ELEVATION SF30a
 SCALE: 1/2" = 1'-0"
 ALL GLASS ENTRANCE
 3/4" MONOLITHIC GLASS
 QUANTITY: 1



ERECTOR / G.C. NOTE:
 PLEASE FIELD VERIFY ALL DIMENSIONS

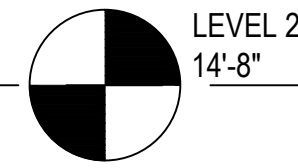
DATE	05/16
DESCRIPTION	1ST SUBMISSION
REV.	1

CLEMSON FOOTBALL OPERATIONS
 (INTERIOR SUBMITTAL)
 CLEMSON, SC

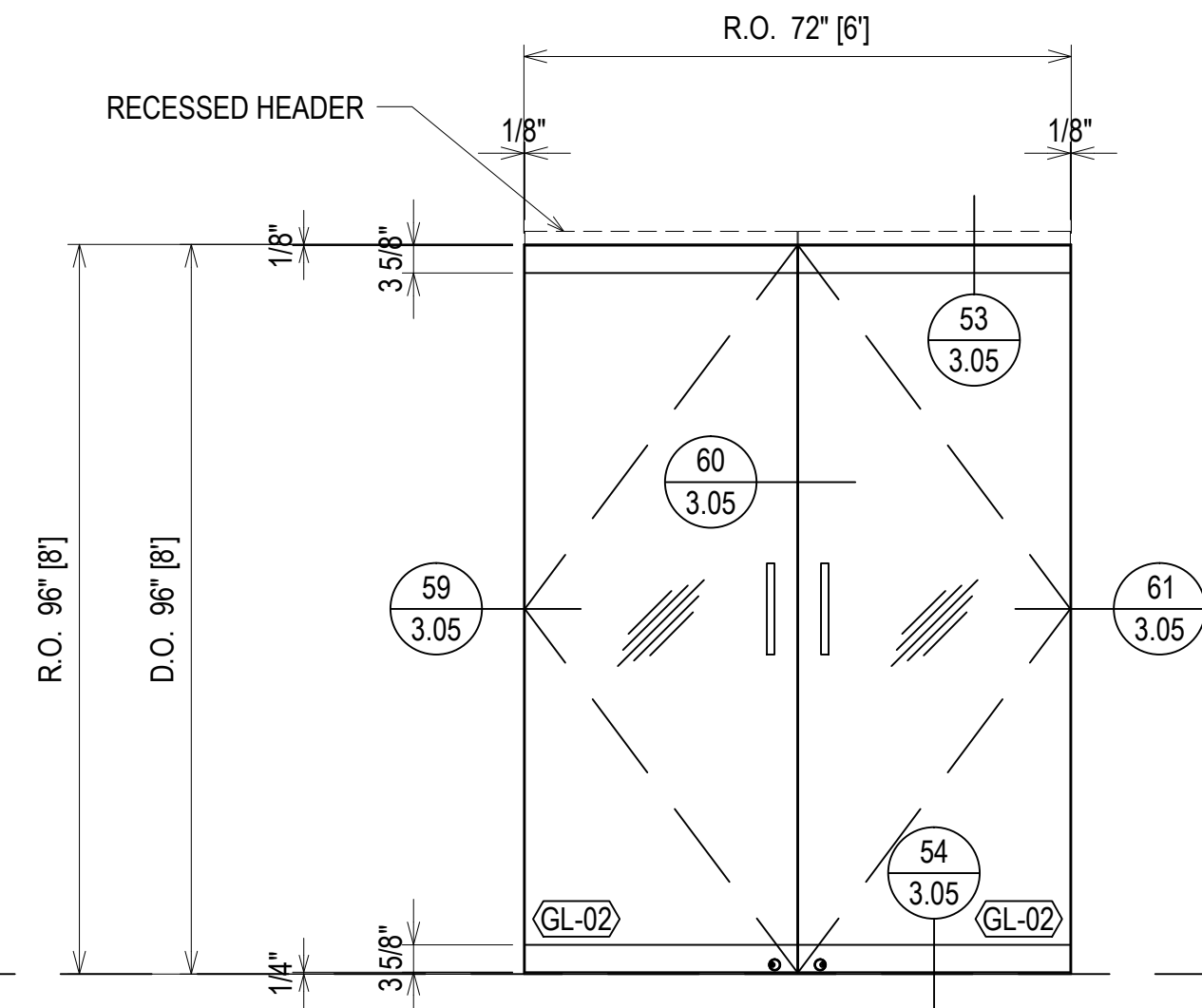


DRAWN BY	DATE
GL	5/2/16
APPROVED BY	DATE
CCV	5/2/16
SCALE	AS NOTED
FILE NO	

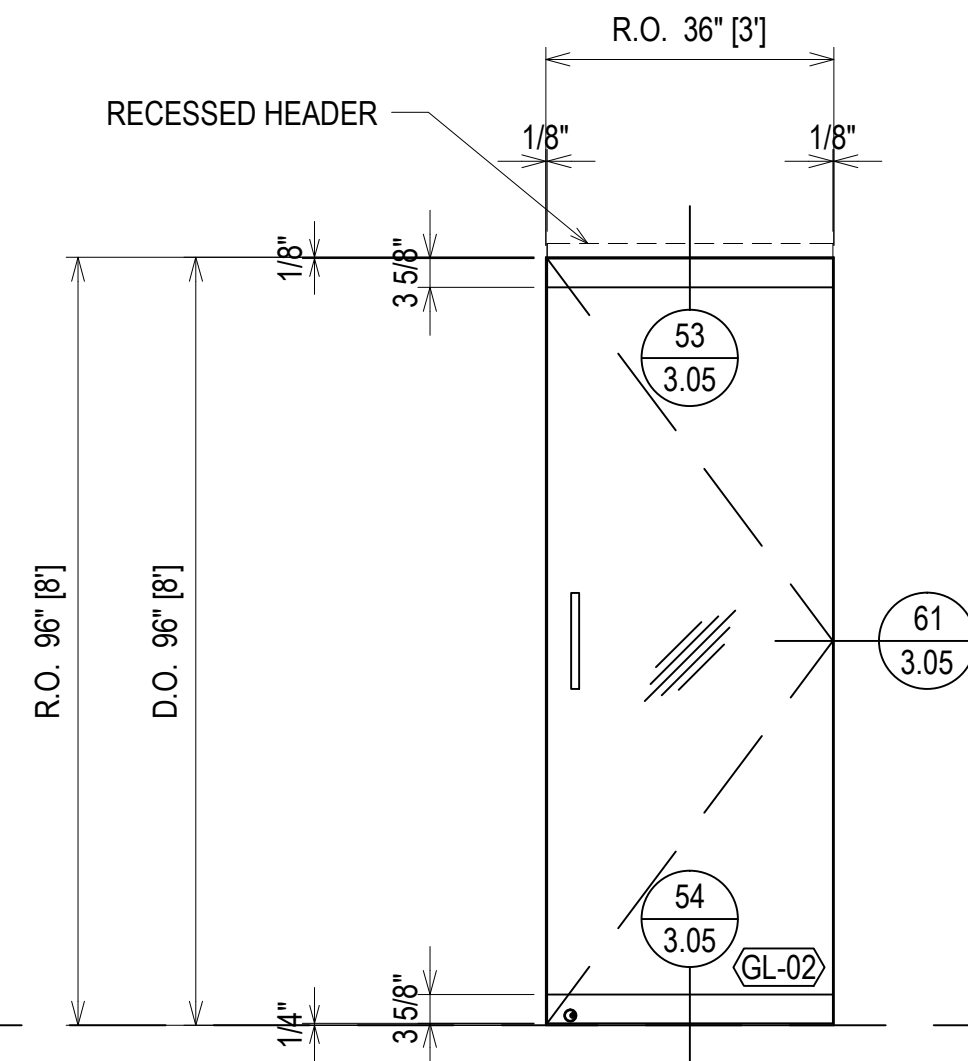
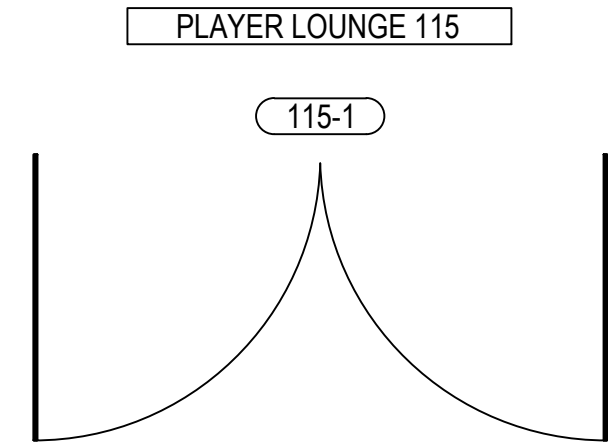
2.14



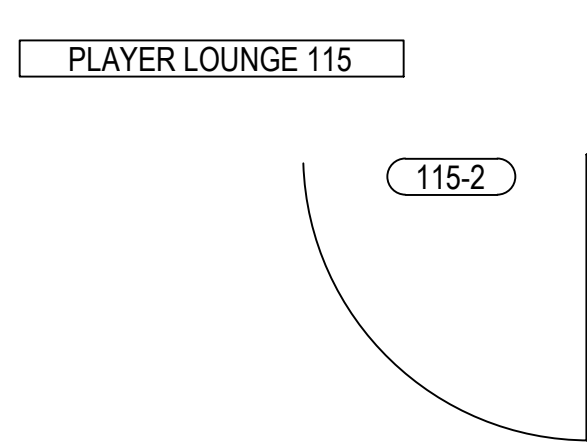
LEVEL 2
14'-8"



ELEVATION SF115-1
 SCALE: 1/2" = 1'-0"
 ALL GLASS ENTRANCE
 1/2" MONOLITHIC GLASS
 QUANTITY: 1



ELEVATION SF115-2
 SCALE: 1/2" = 1'-0"
 ALL GLASS ENTRANCE
 1/2" MONOLITHIC GLASS
 QUANTITY: 1



DATE	5/2/16
DESCRIPTION	1ST SUBMISSION 1ST REVISION
REV.	△

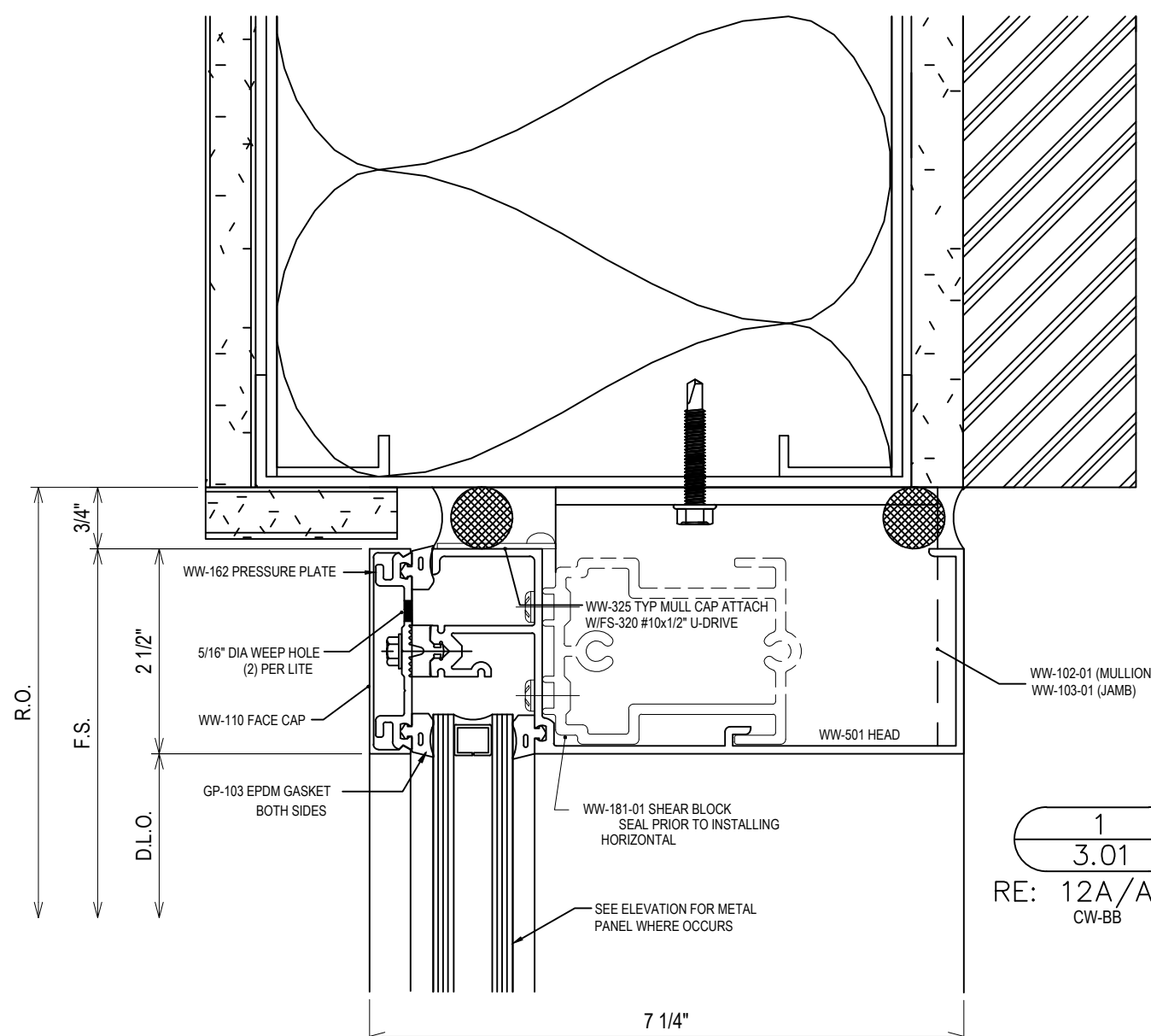
CLEMSON FOOTBALL OPERATIONS
 (INTERIOR SUBMITTAL)
 CLEMSON, SC



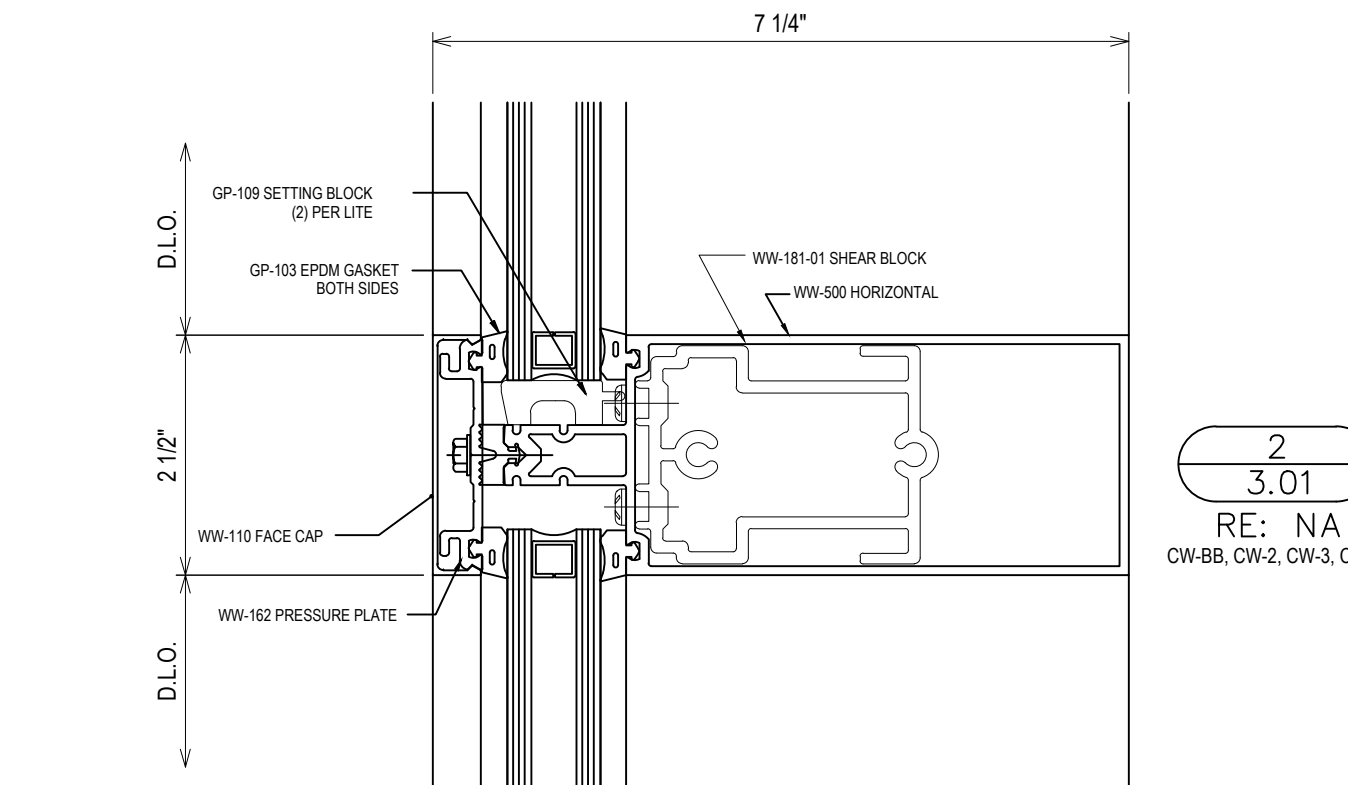
DRAWN BY:	DATE
GL	5/2/16
APPROVED BY:	DATE
CCV	5/2/16
SCALE	AS NOTED
FILE NO.	

ERECTOR / G.C. NOTE:
 PLEASE FIELD VERIFY ALL DIMENSIONS

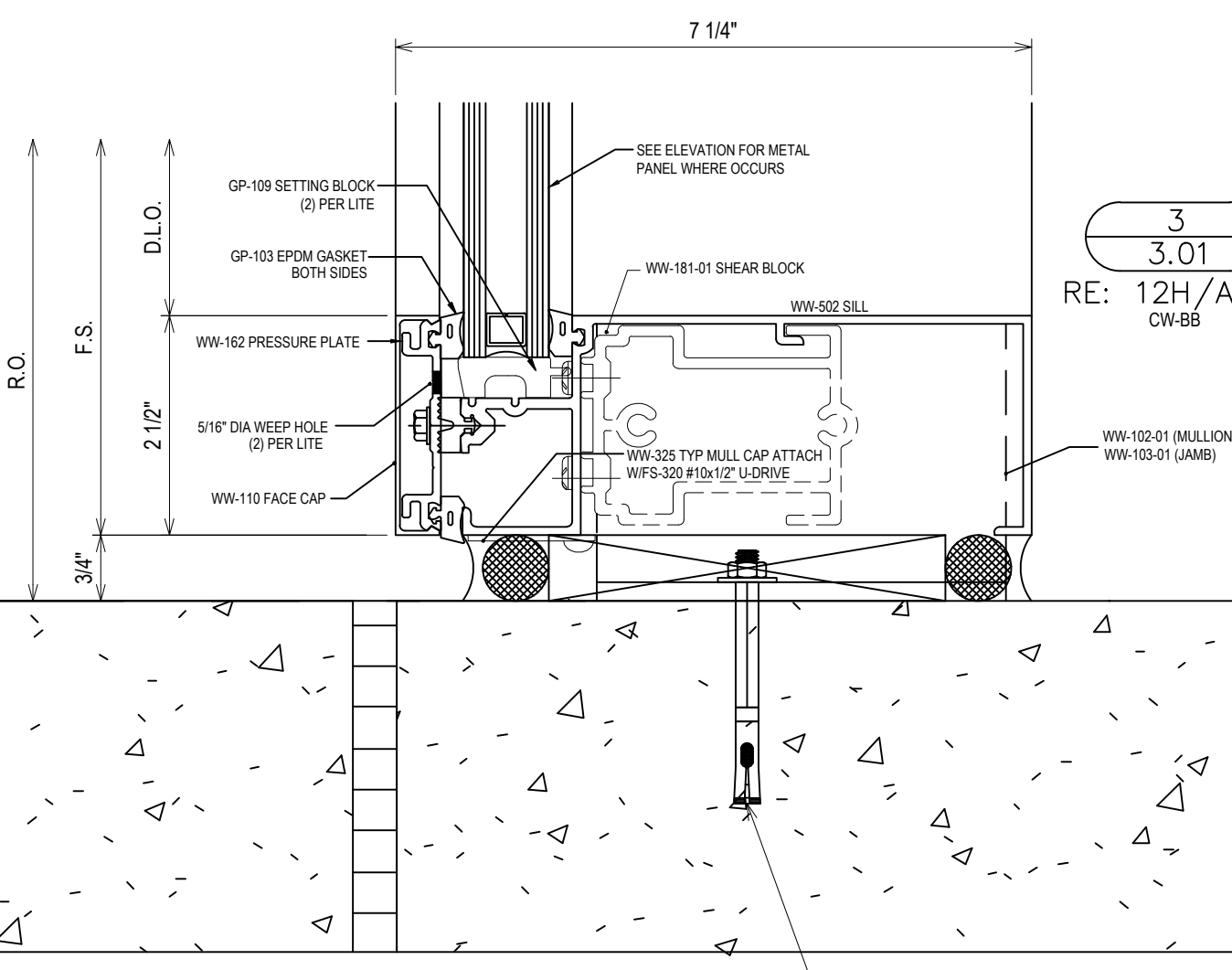
2.15



1
3.01
RE: 12A/A826
CW-BB



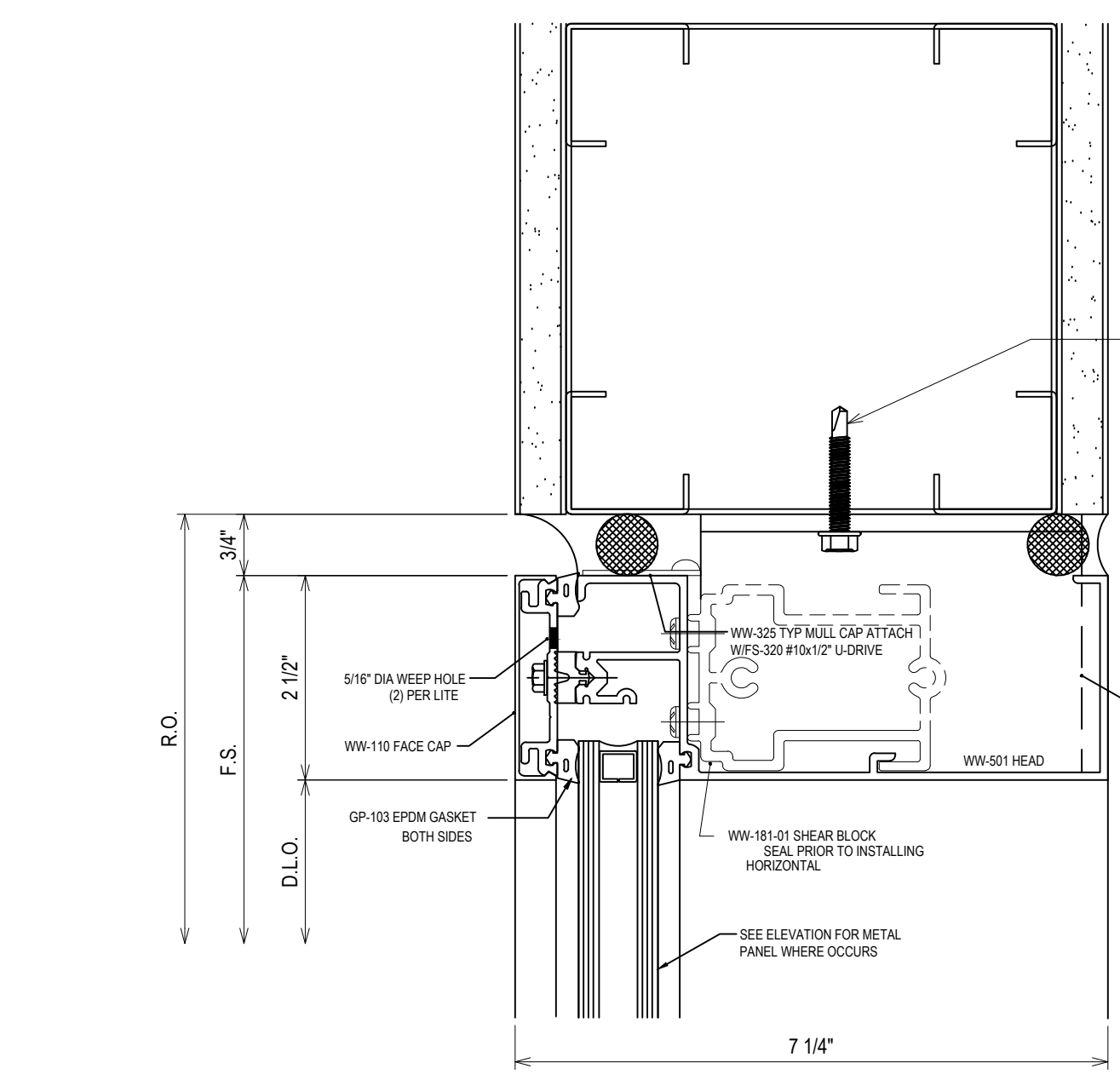
2
3.01
RE: NA
CW-BB, CW-2, CW-3, CW-4



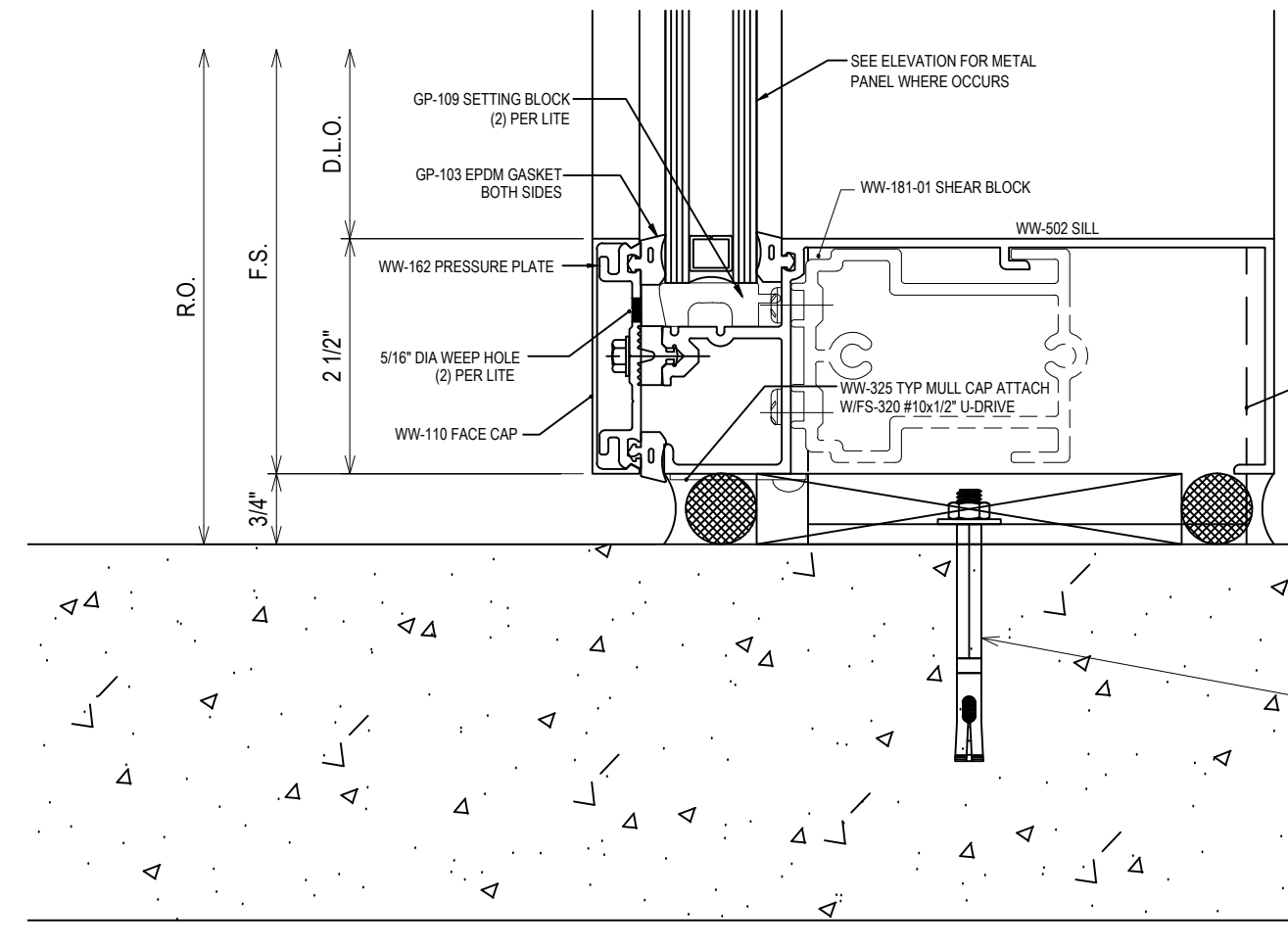
3
3.01
RE: 12H/A826
CW-BB



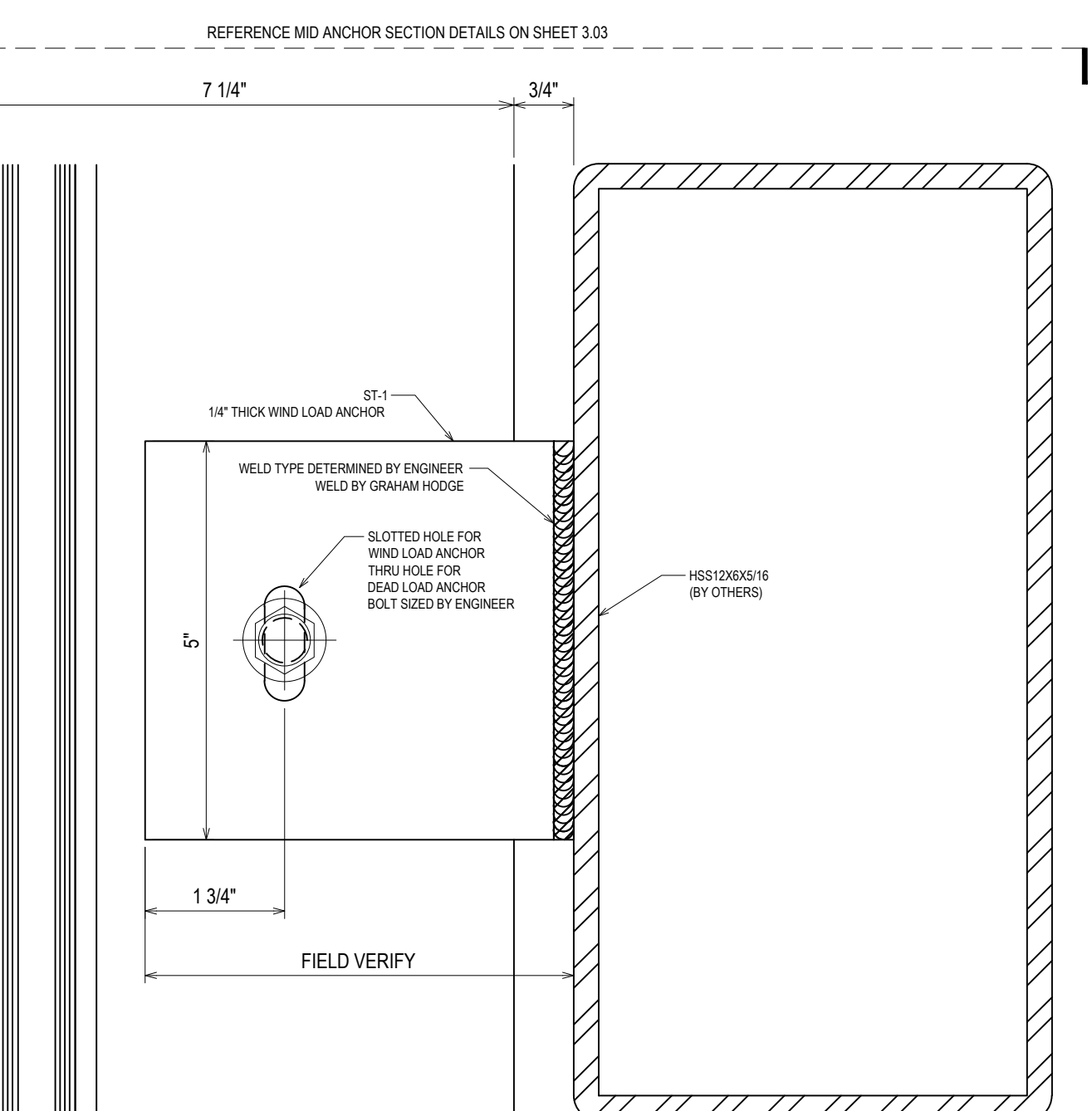
F-CLIP SECURED USING TWO 3/8\"/>



4
3.01
RE: 1F/A841
CW-1, CW-2, CW-3, CW-4



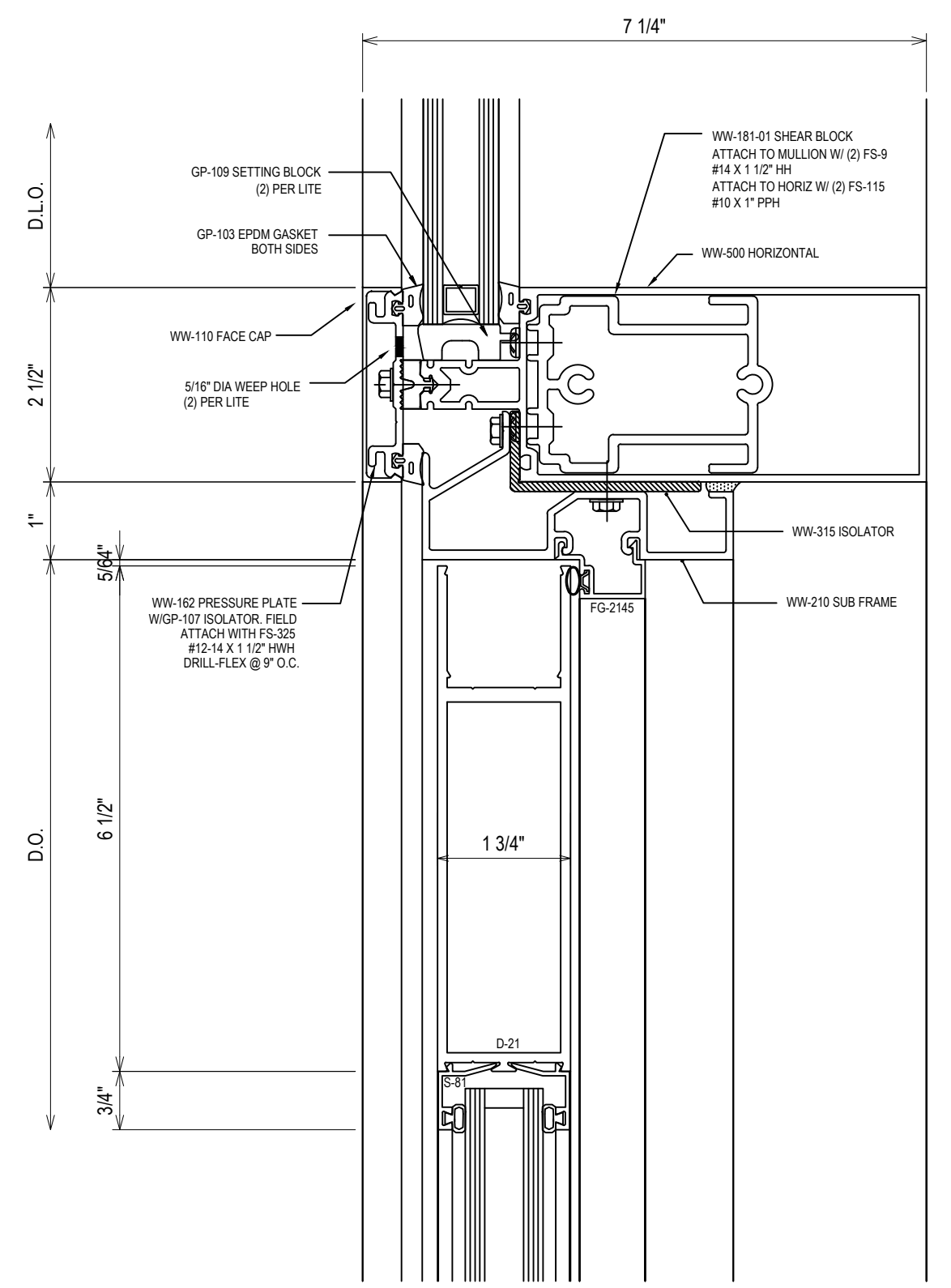
5
3.01
RE: NA
CW-1, CW-2, CW-3, CW-4



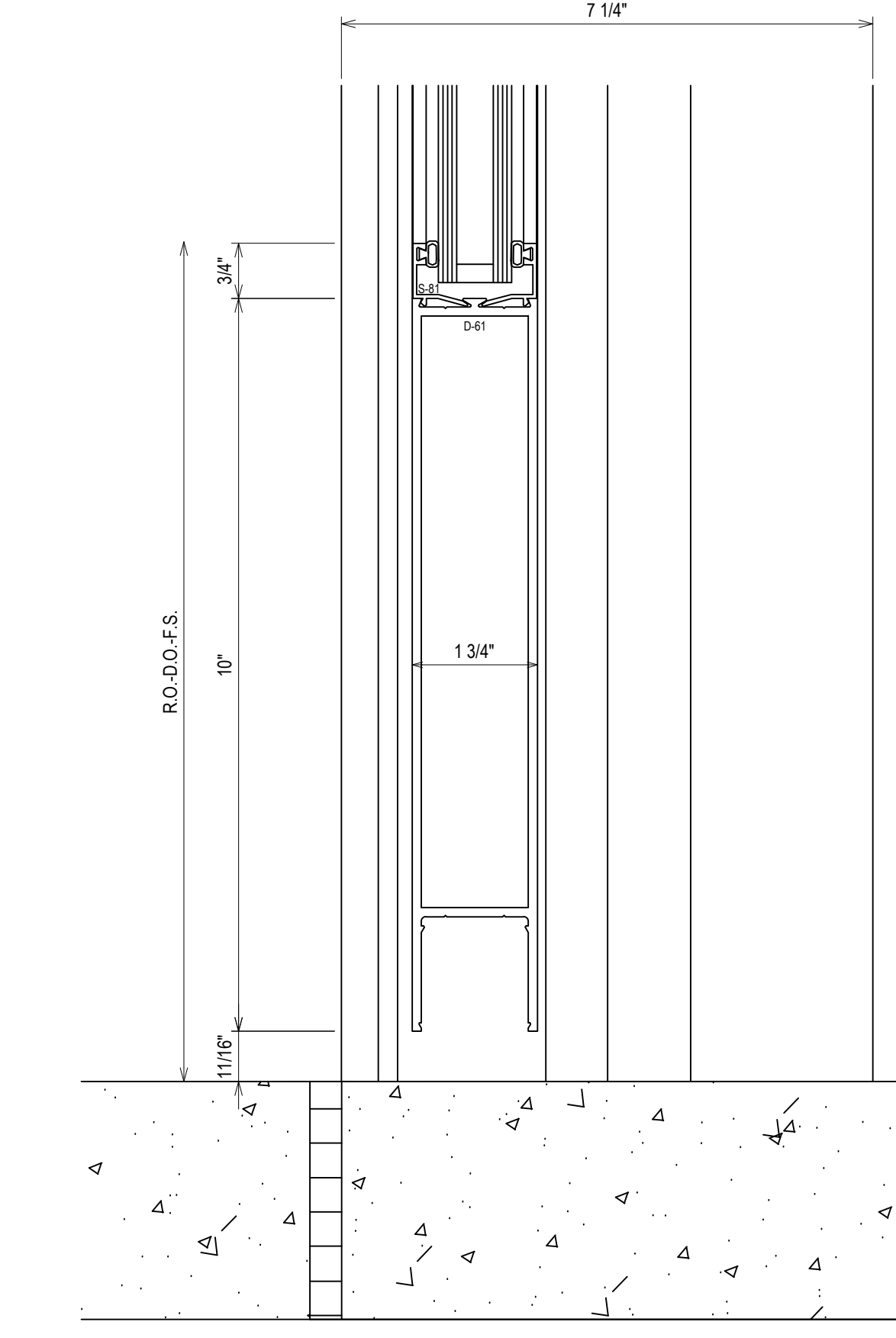
6
3.01
RE: NA
CW-2, CW-3, CW-4

F-CLIP SECURED USING TWO 1/2\"/>

F-CLIP SECURED USING TWO 3/8\"/>



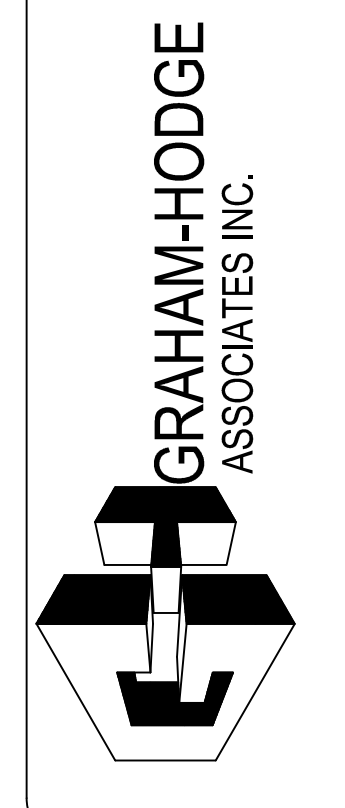
7
3.01
RE: NA
CW-BB, CW-3



8
3.01
RE: 10A/A821
CW-BB, CW-3

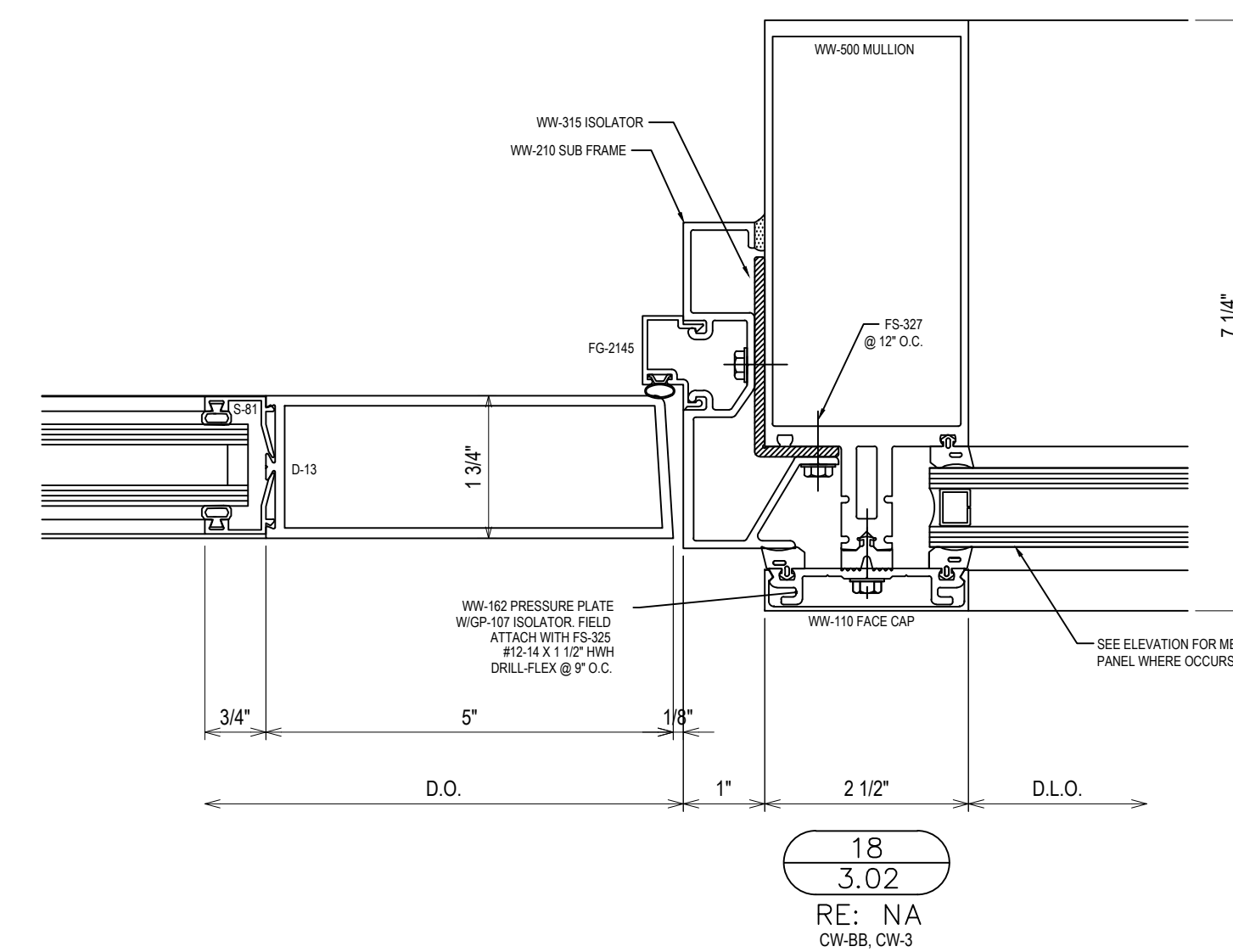
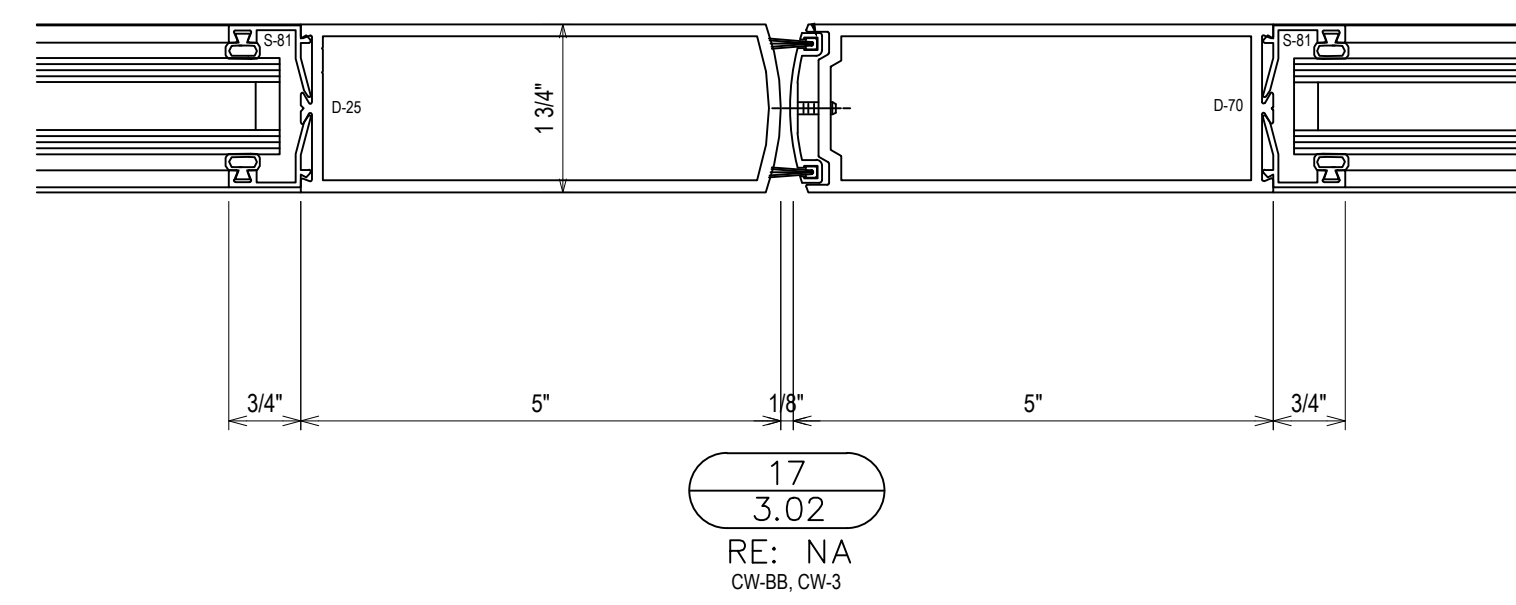
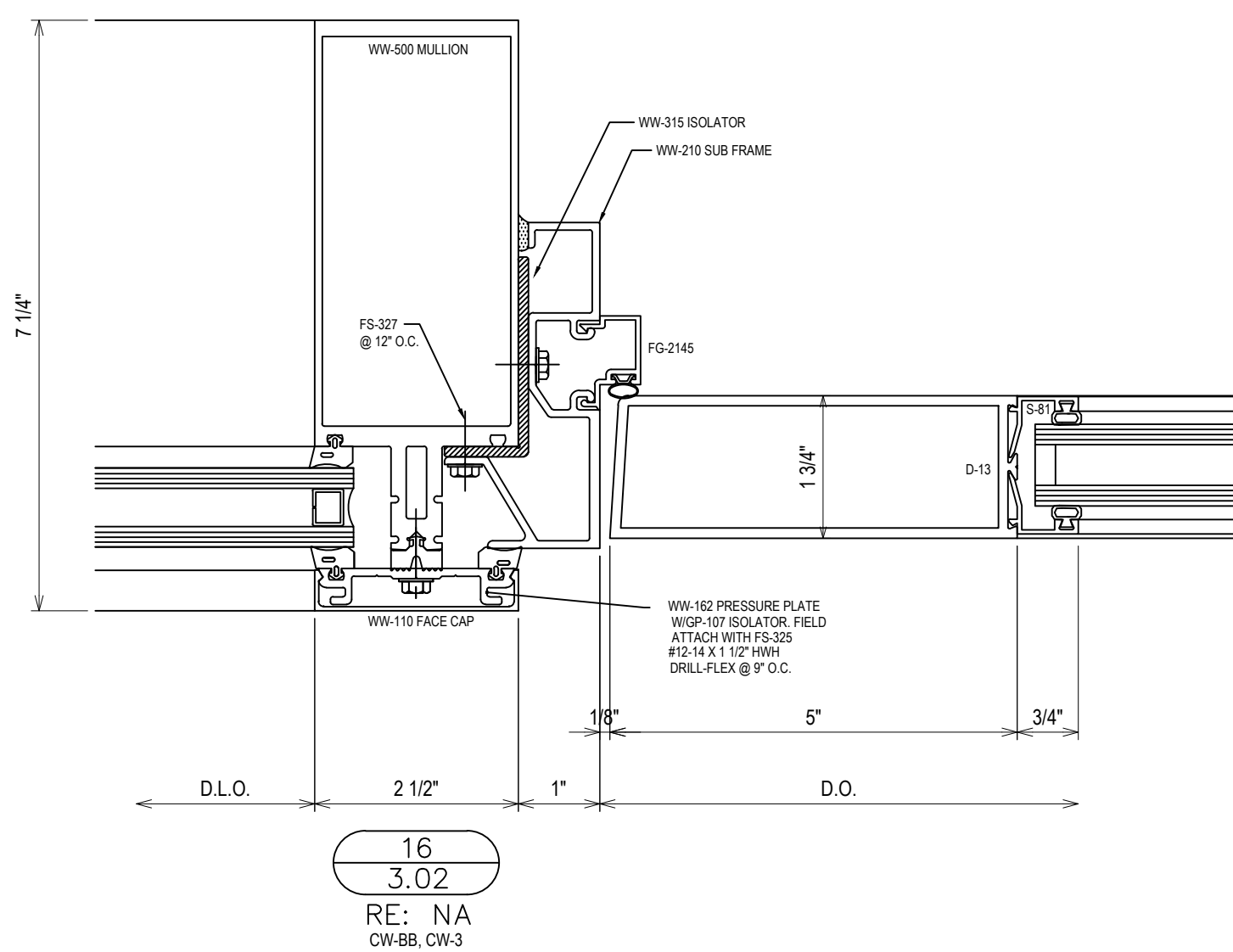
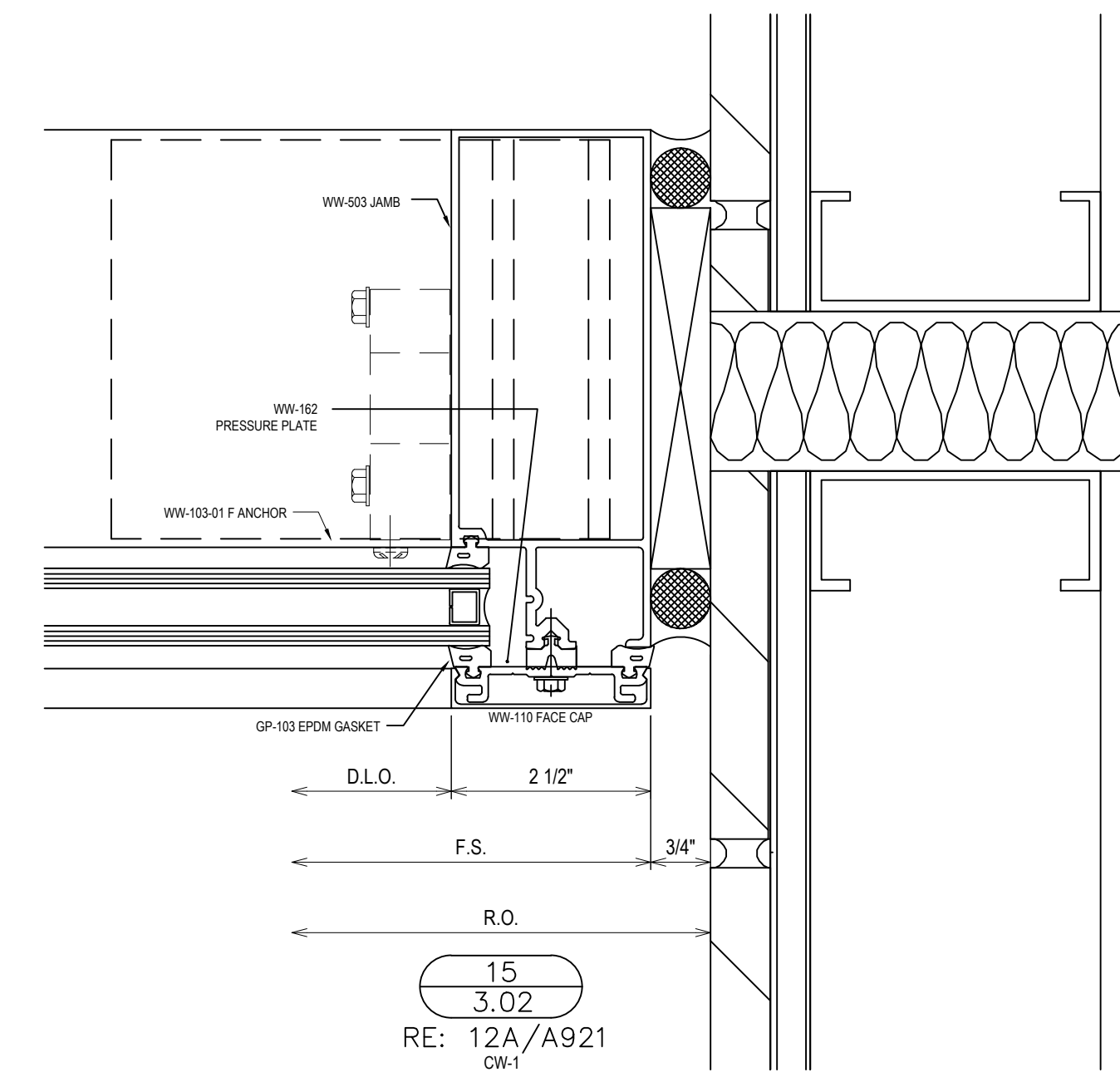
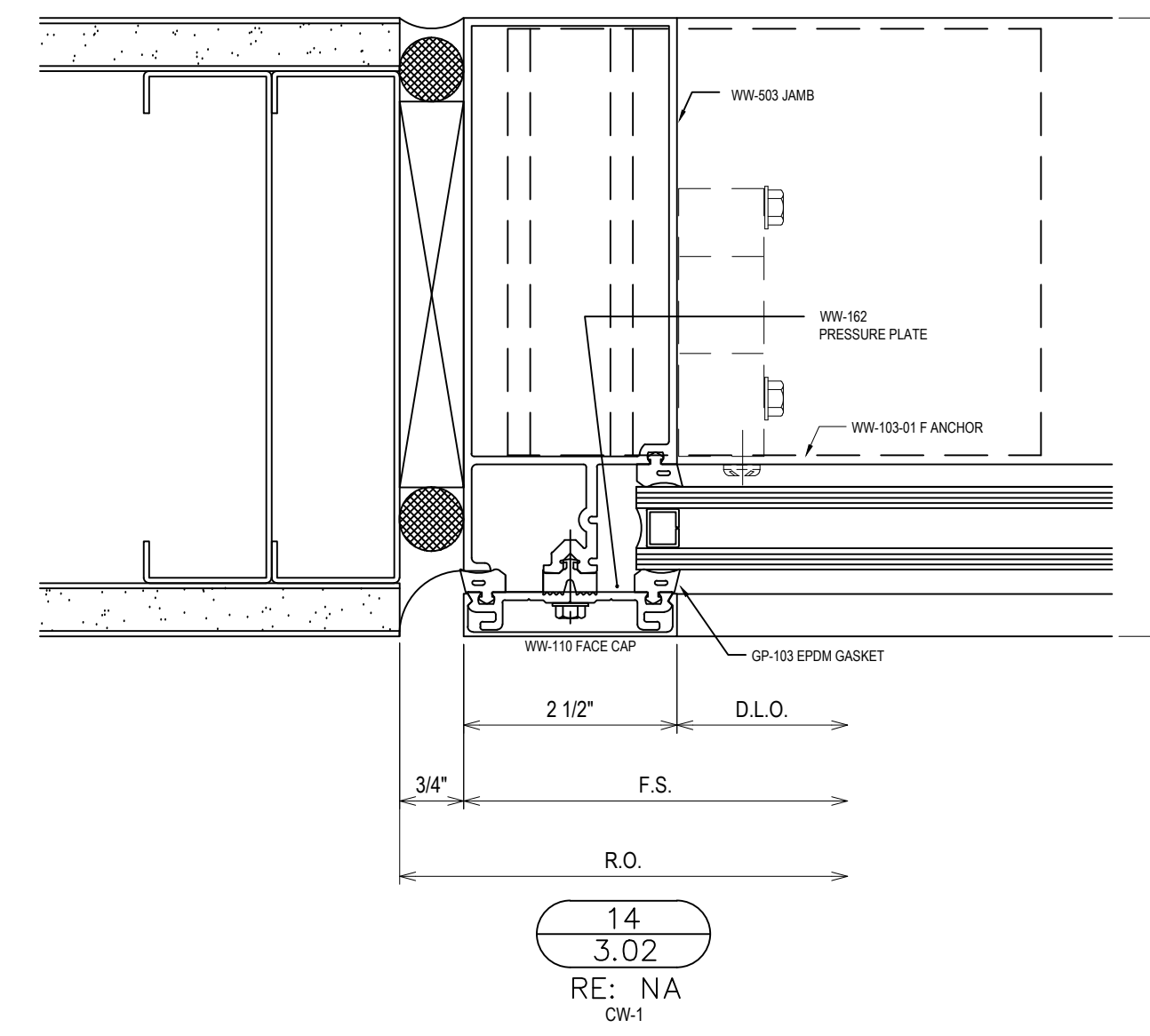
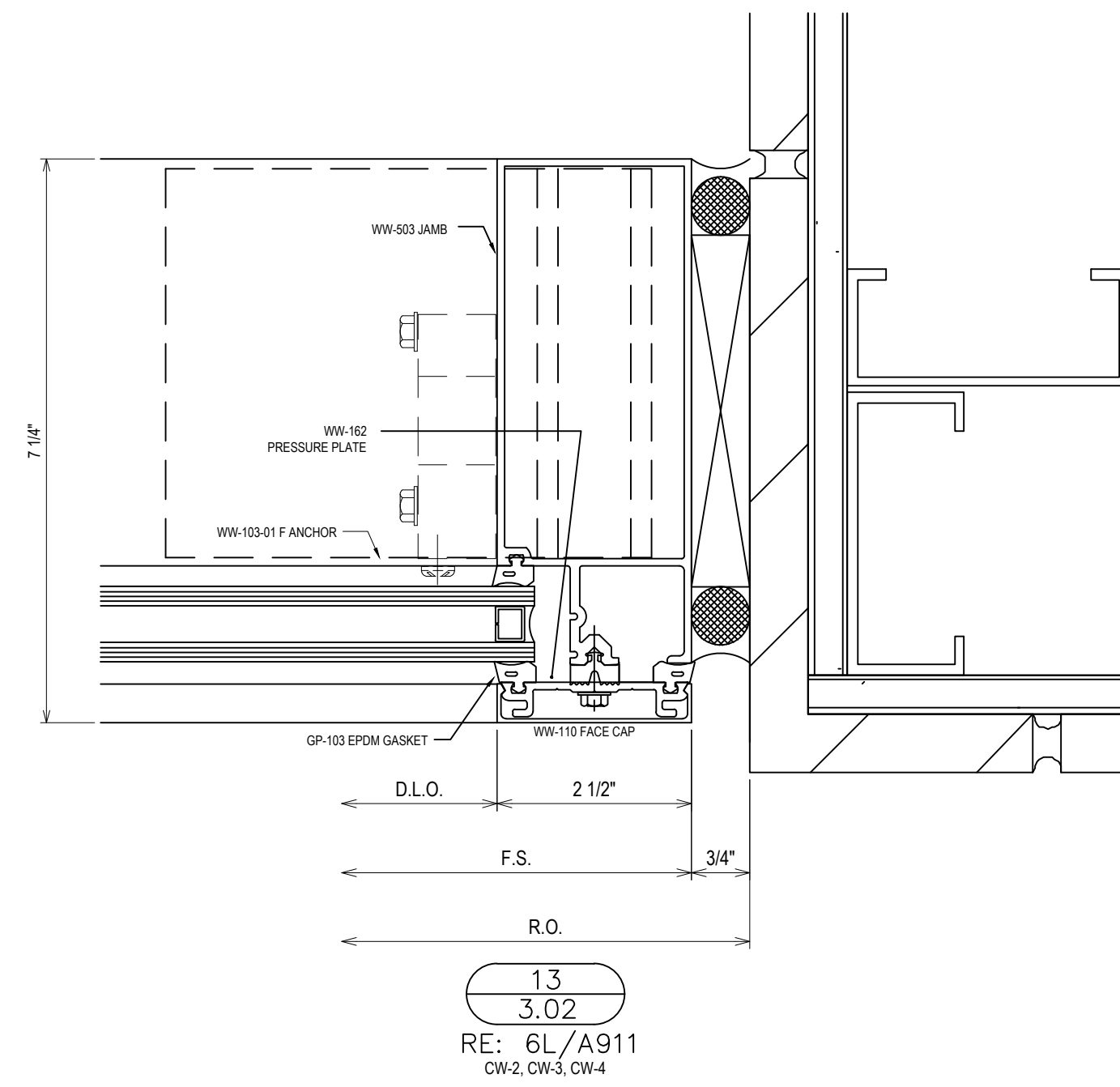
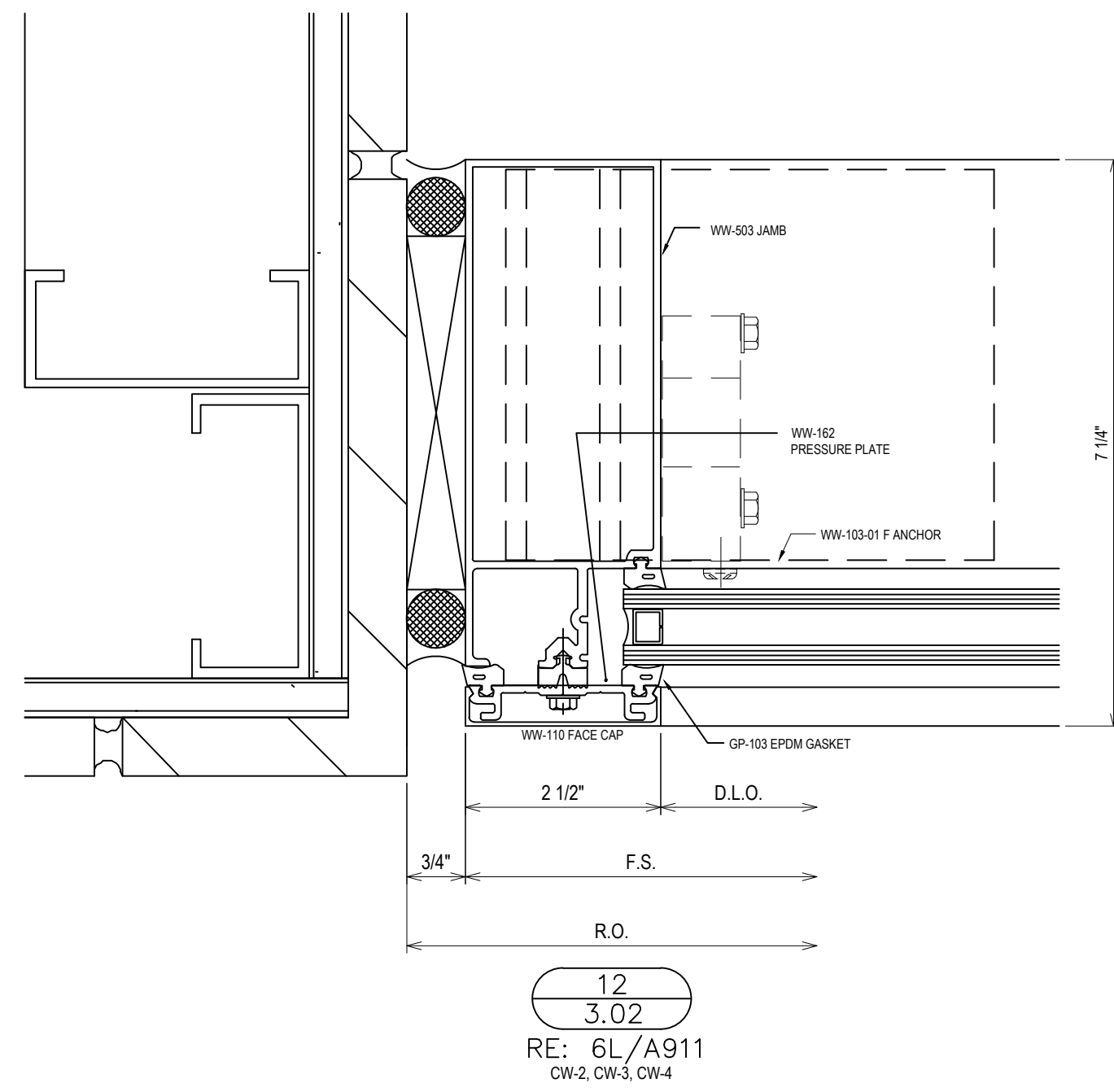
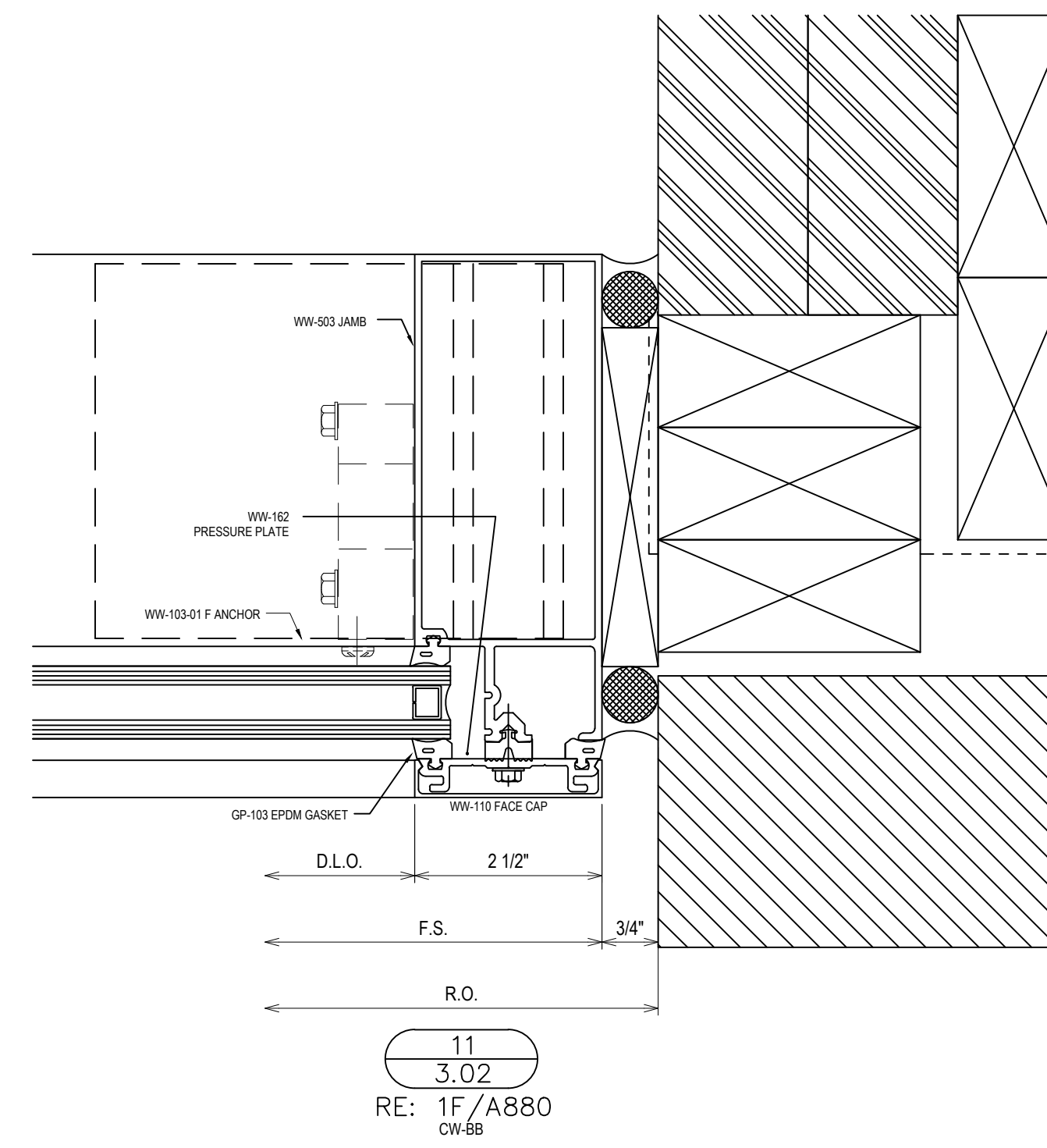
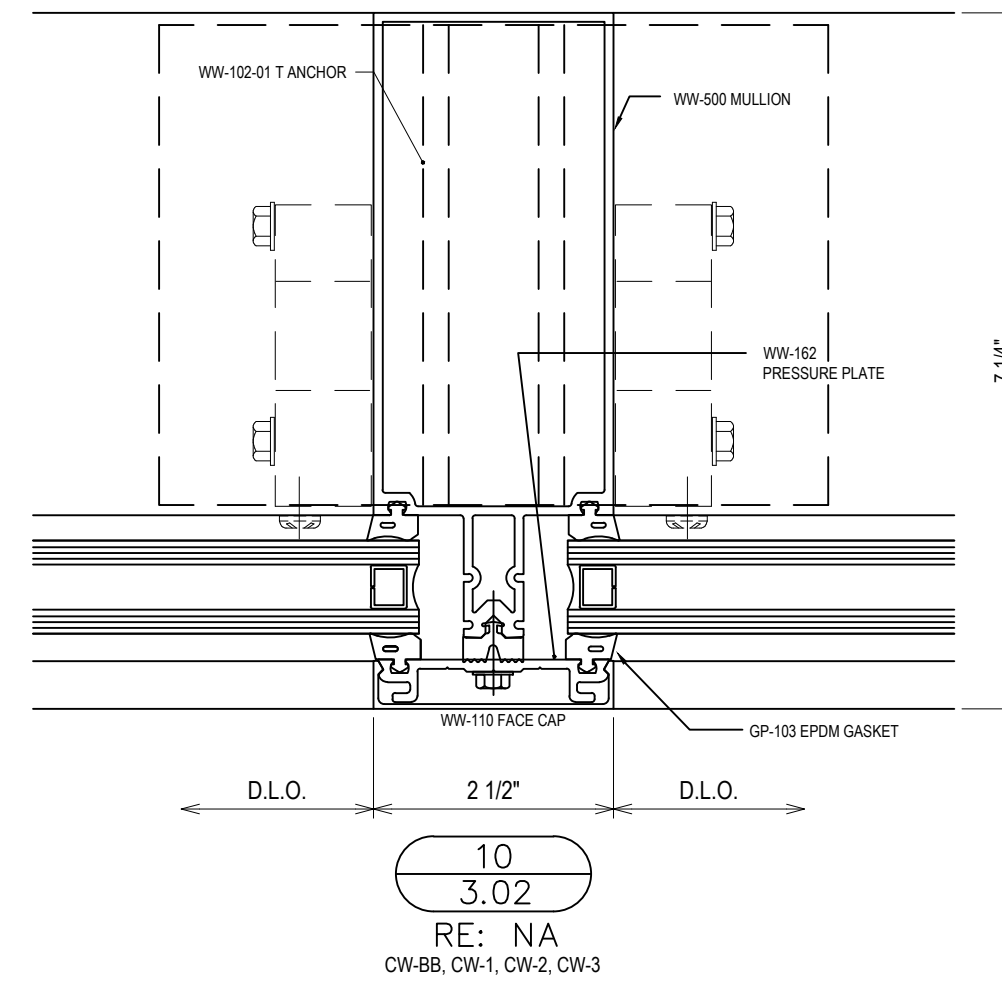
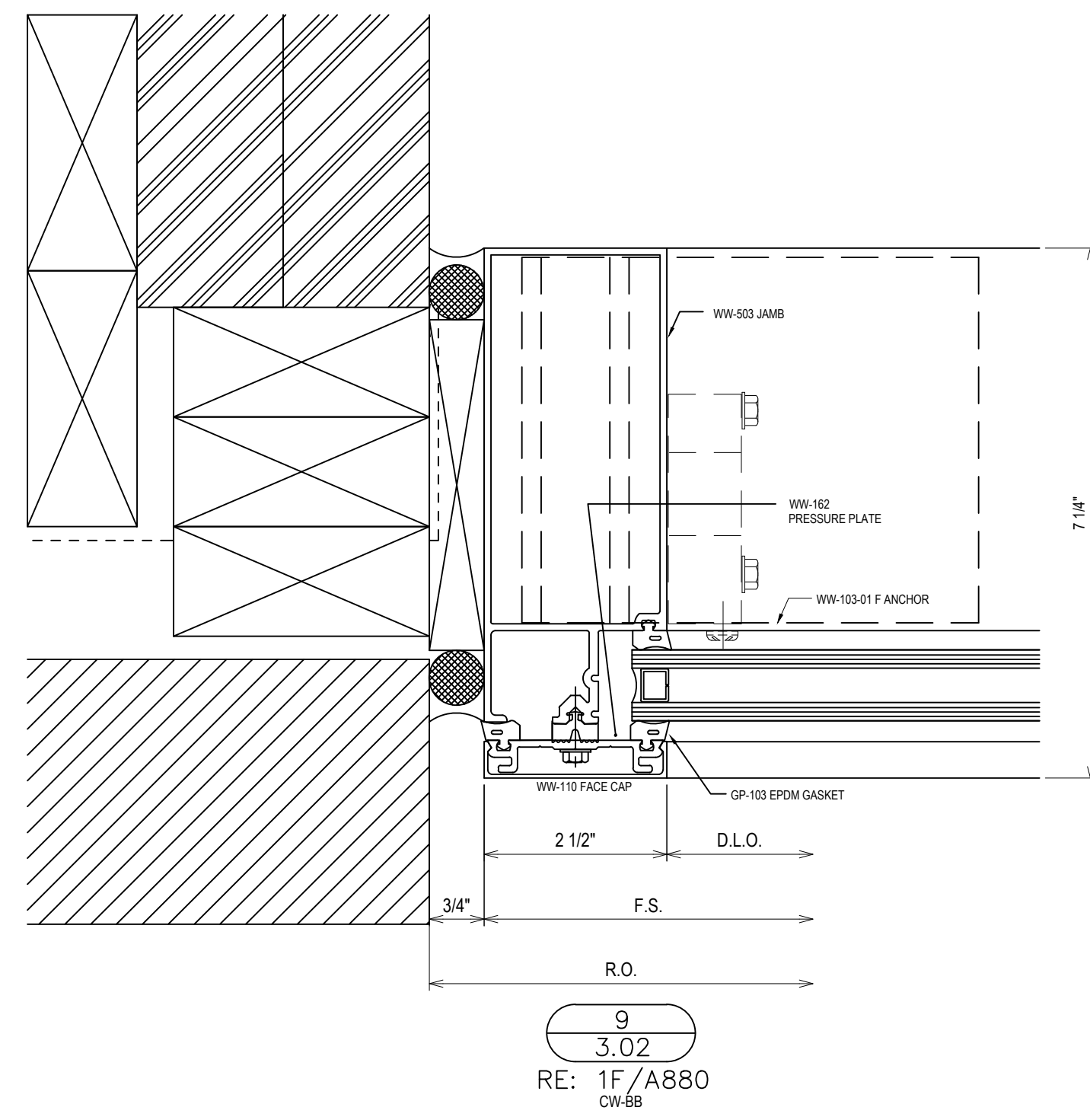
DATE	5/21/16
DESCRIPTION	1ST SUBMISSION
REV	

CLEMSON FOOTBALL OPERATIONS
(INTERIOR SUBMITTAL)
CLEMSON, SC



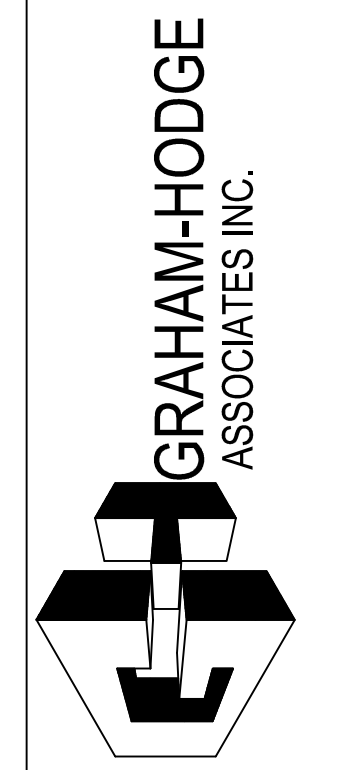
DRAWN BY	DATE
CHECKED BY	5/21/16
SCALE	AS NOTED
FILE NO	

3.01



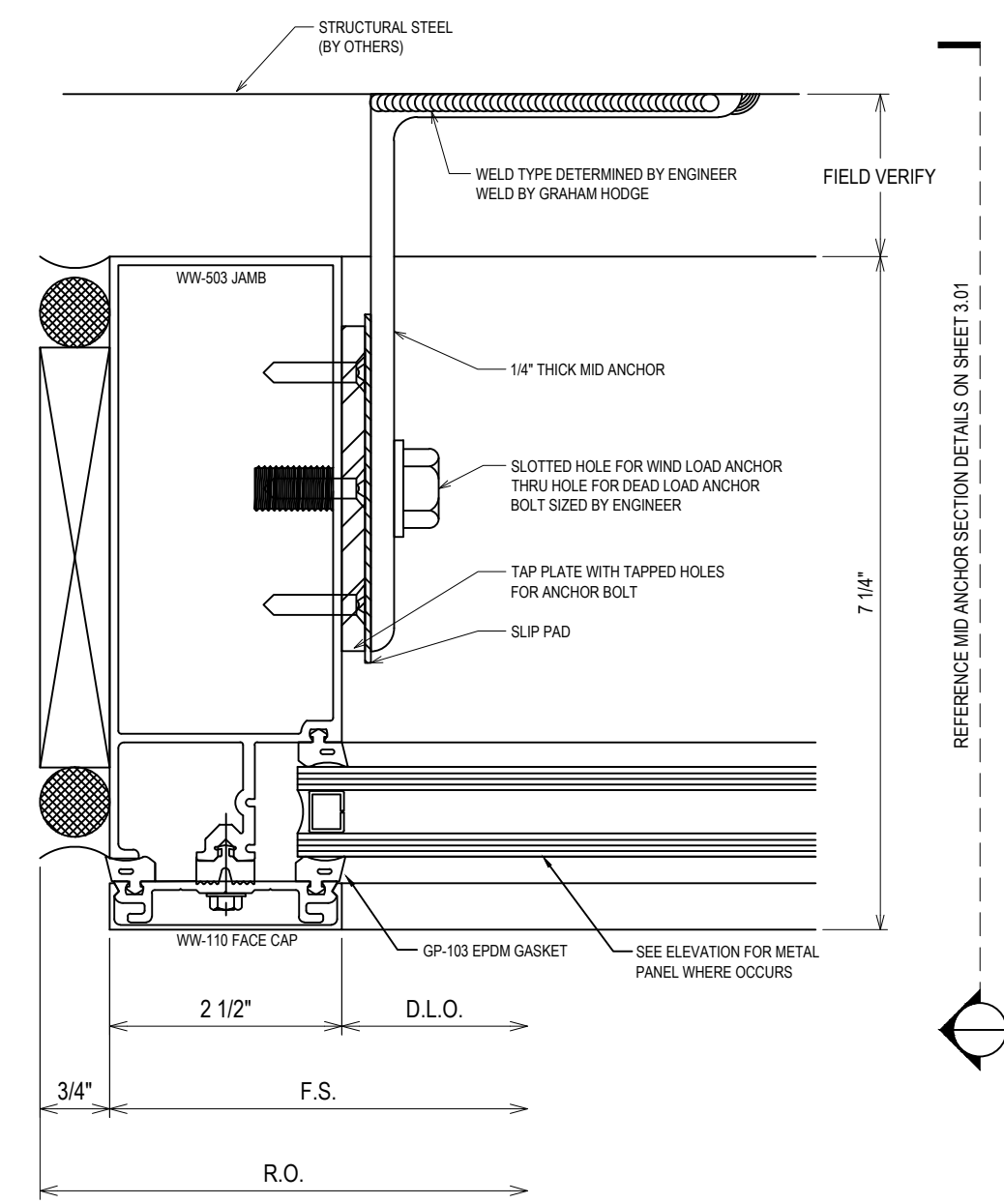
DATE	5/2/16
DESCRIPTION	1ST SUBMISSION
REV.	▲

CLEMSON FOOTBALL OPERATIONS
 (INTERIOR SUBMITTAL)
 CLEMSON, SC

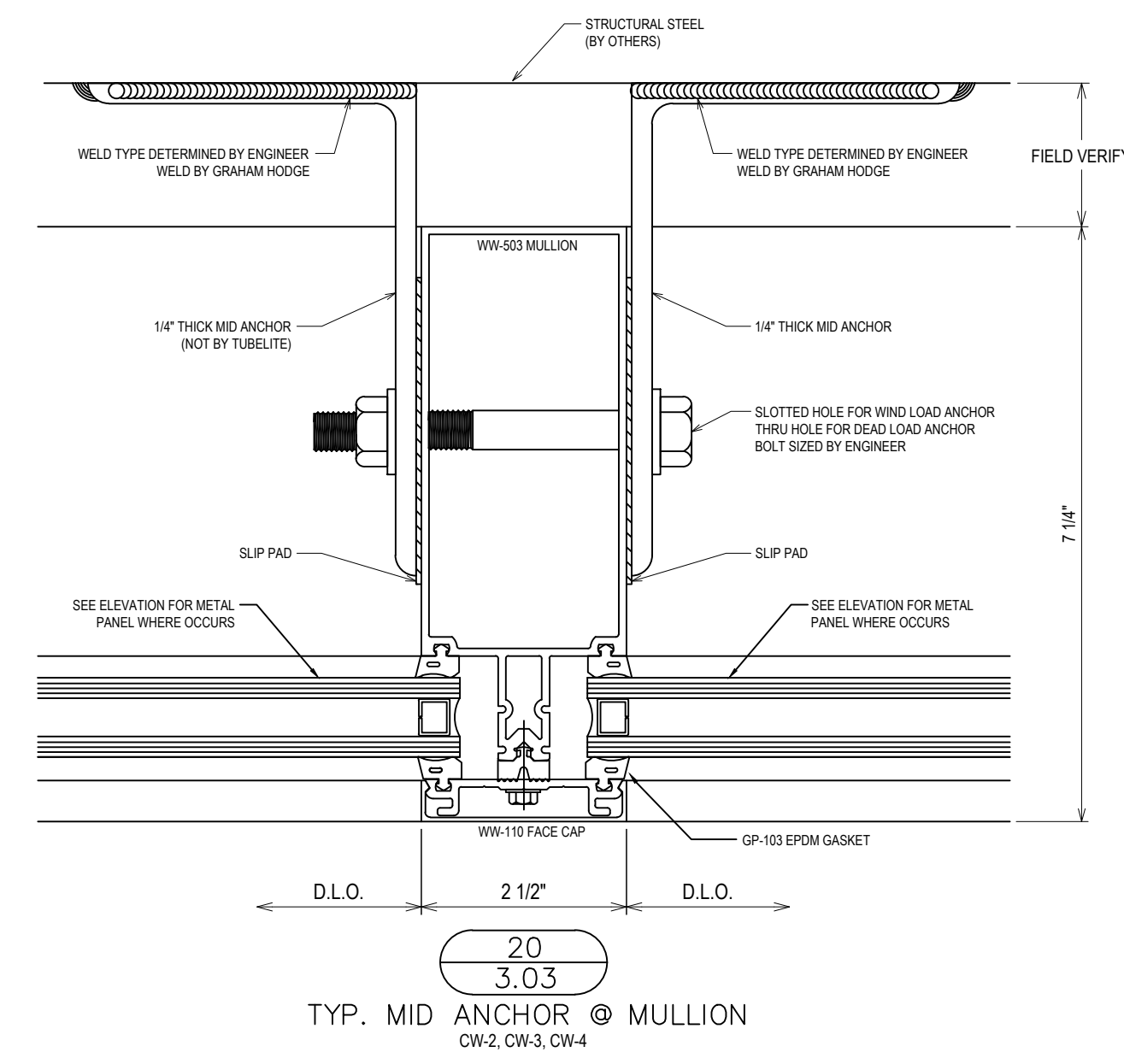


DRAWN BY	DATE
QC	5/2/16
APPROVED BY	SITE
CCV	5/2/16
SCALE	AS NOTED
FILE NO	

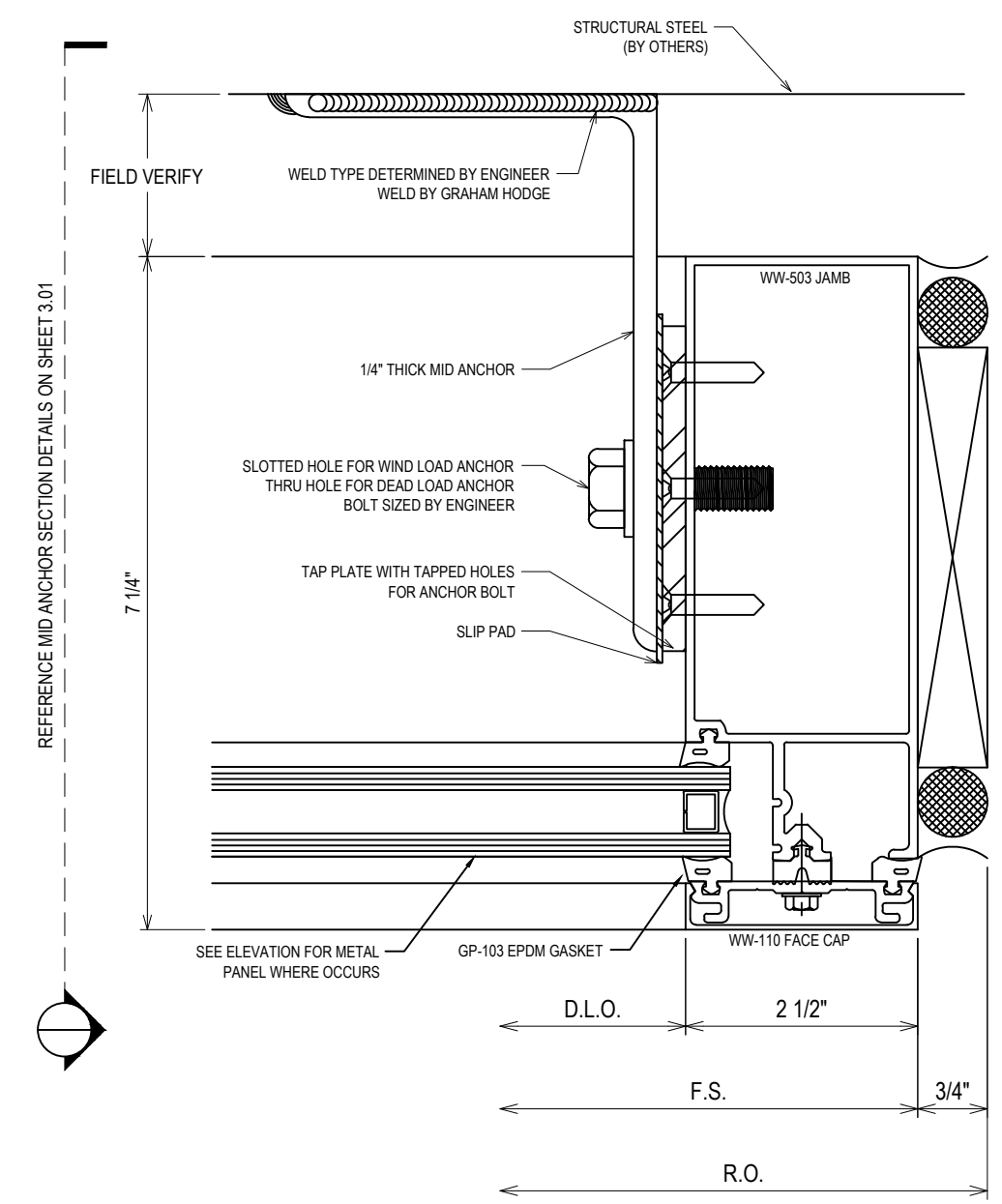
3.02



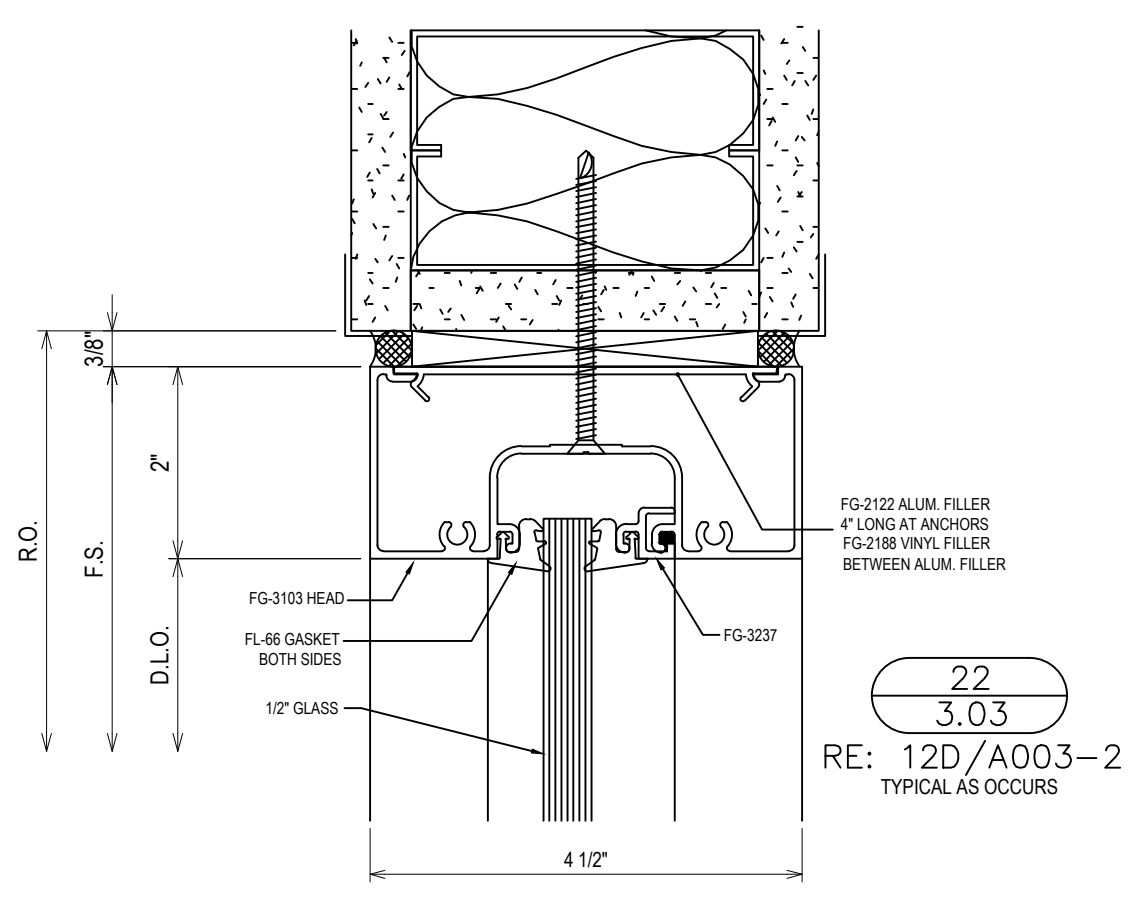
19
3.03
TYP. MID ANCHOR @ LEFT JAMB
CW-2, CW-3, CW-4



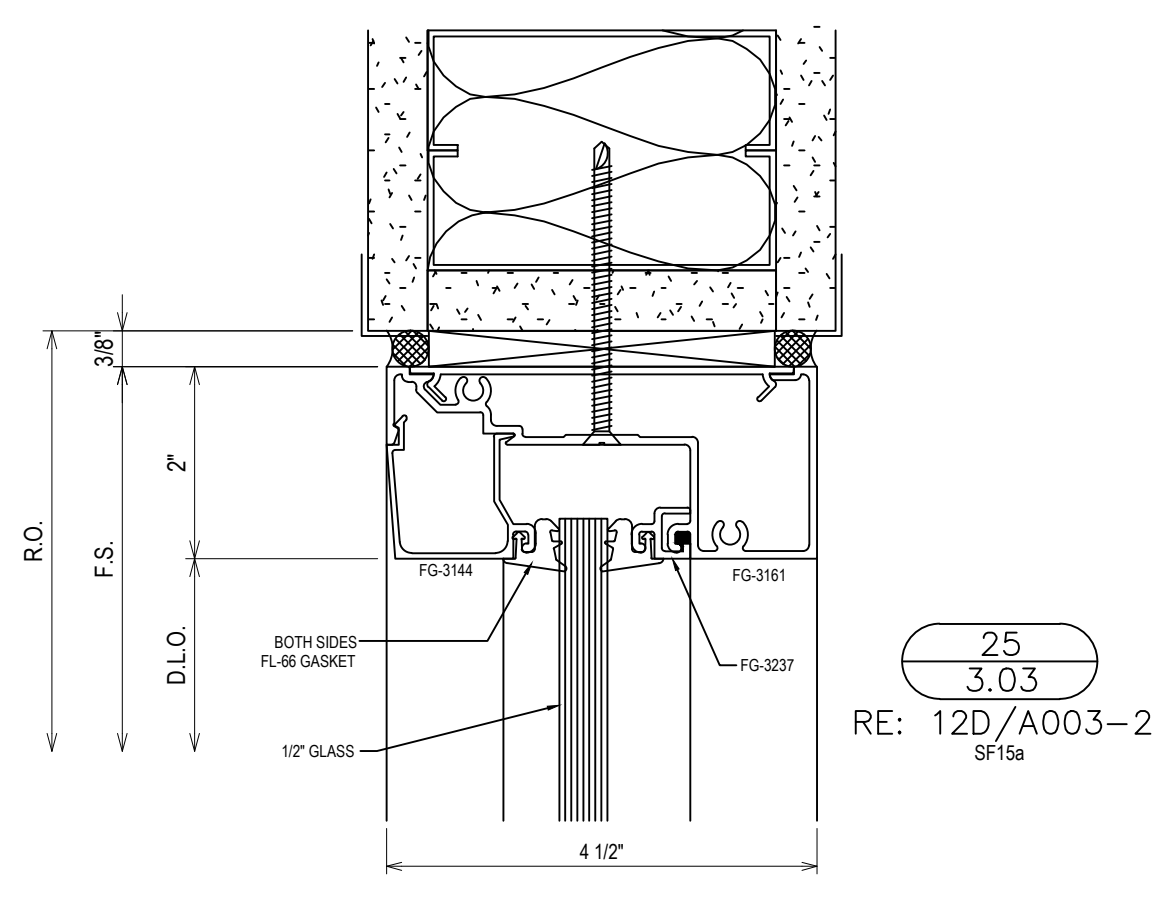
20
3.03
TYP. MID ANCHOR @ MULLION
CW-2, CW-3, CW-4



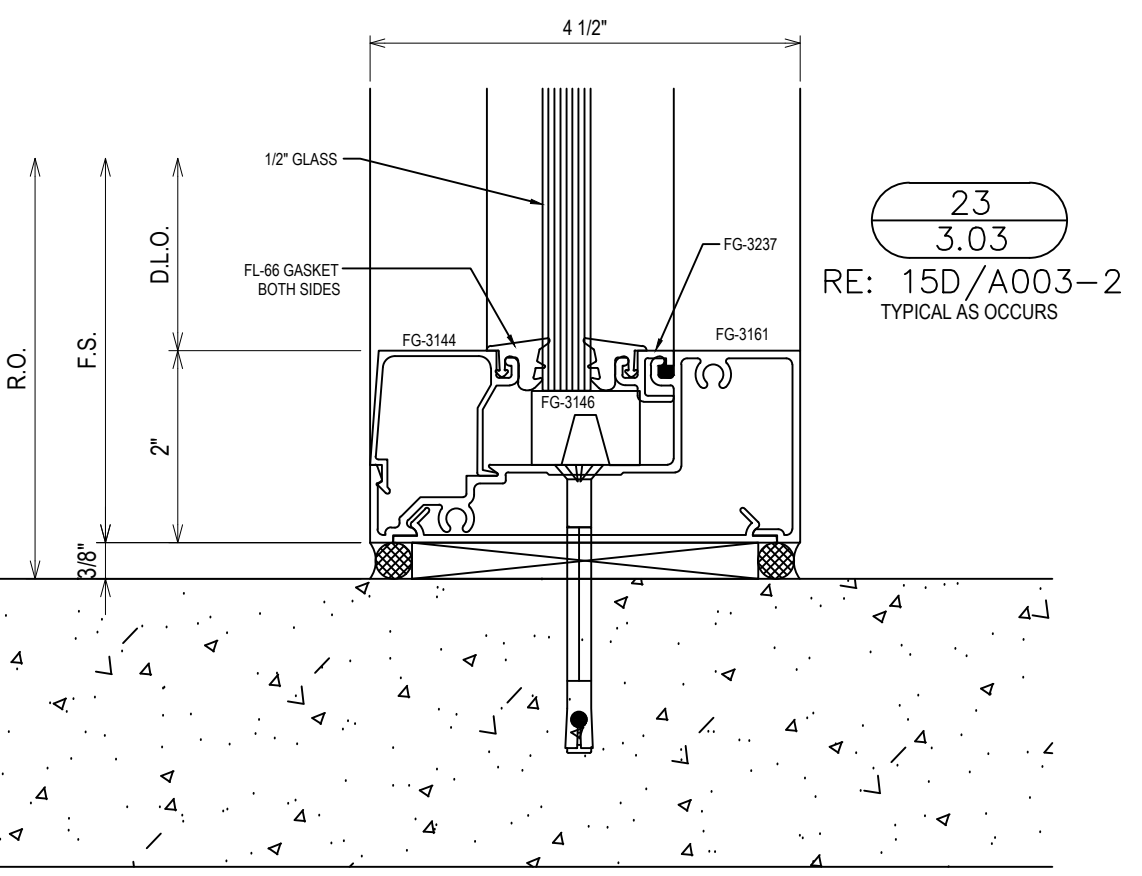
21
3.03
TYP. MID ANCHOR @ RIGHT JAMB
CW-2, CW-3, CW-4



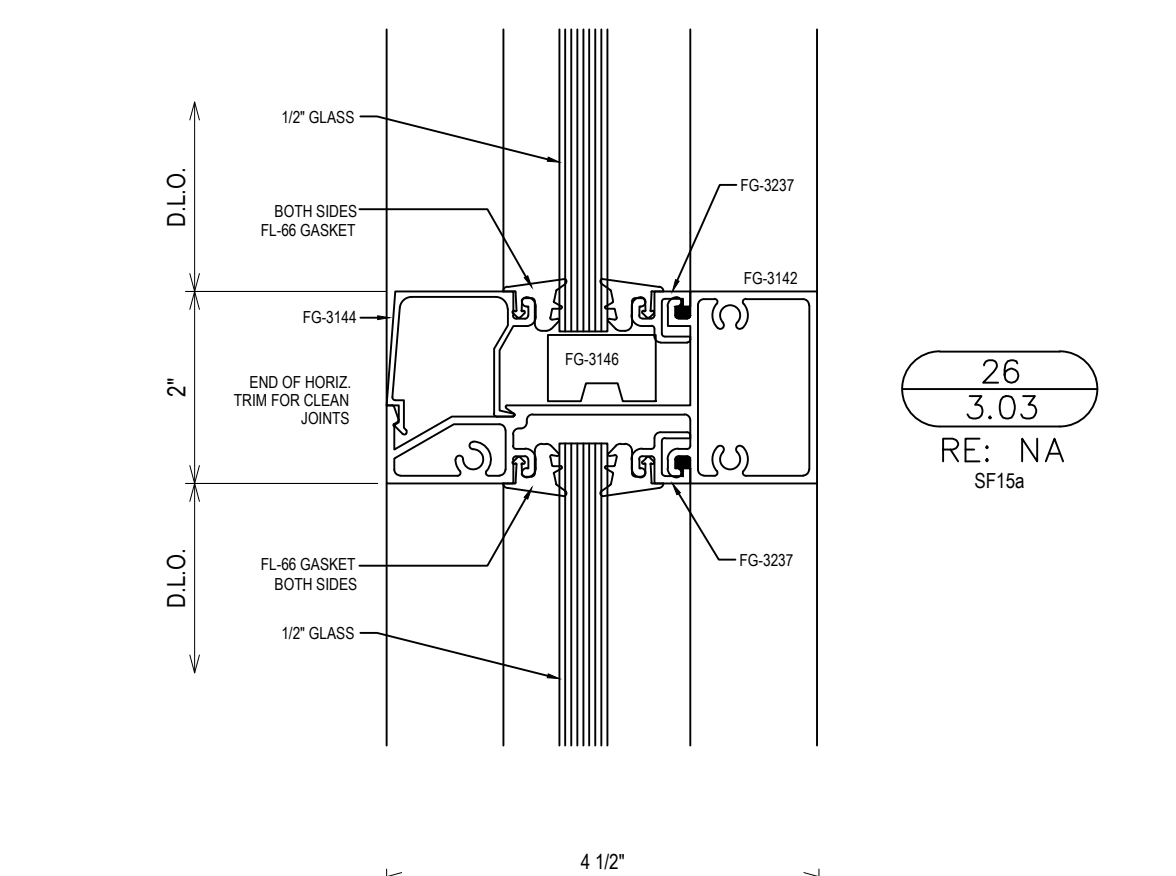
22
3.03
RE: 12D/A003-2
TYPICAL AS OCCURS



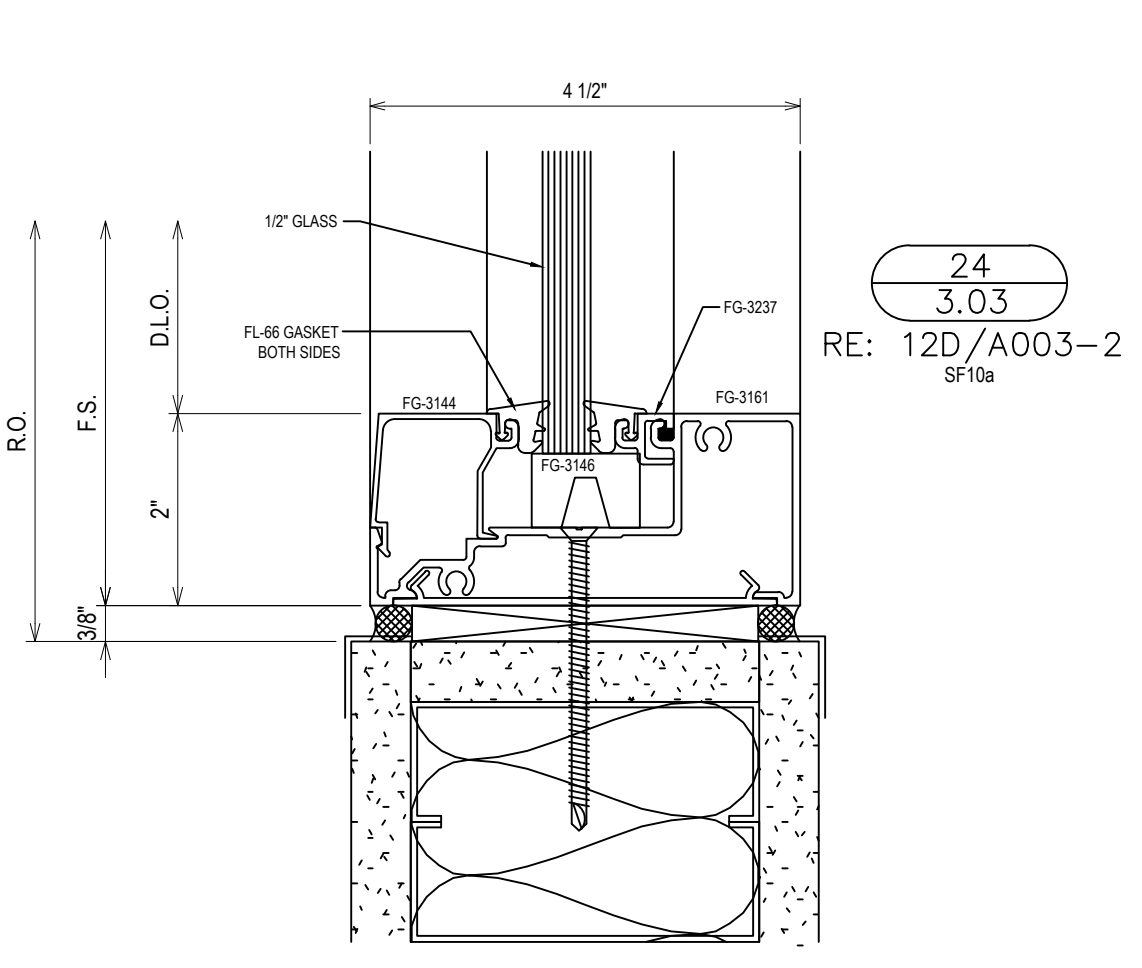
25
3.03
RE: 12D/A003-2
SF15a



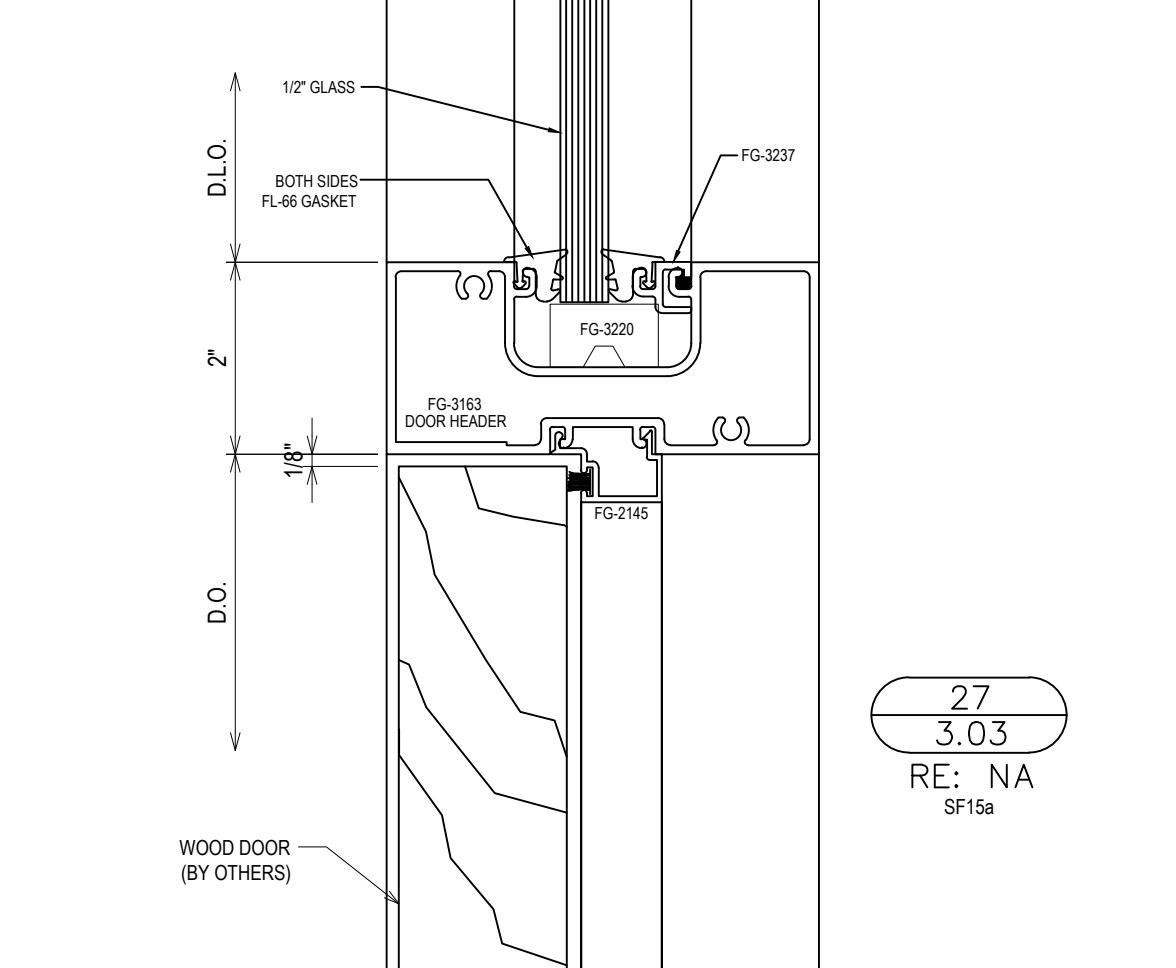
23
3.03
RE: 15D/A003-2
TYPICAL AS OCCURS



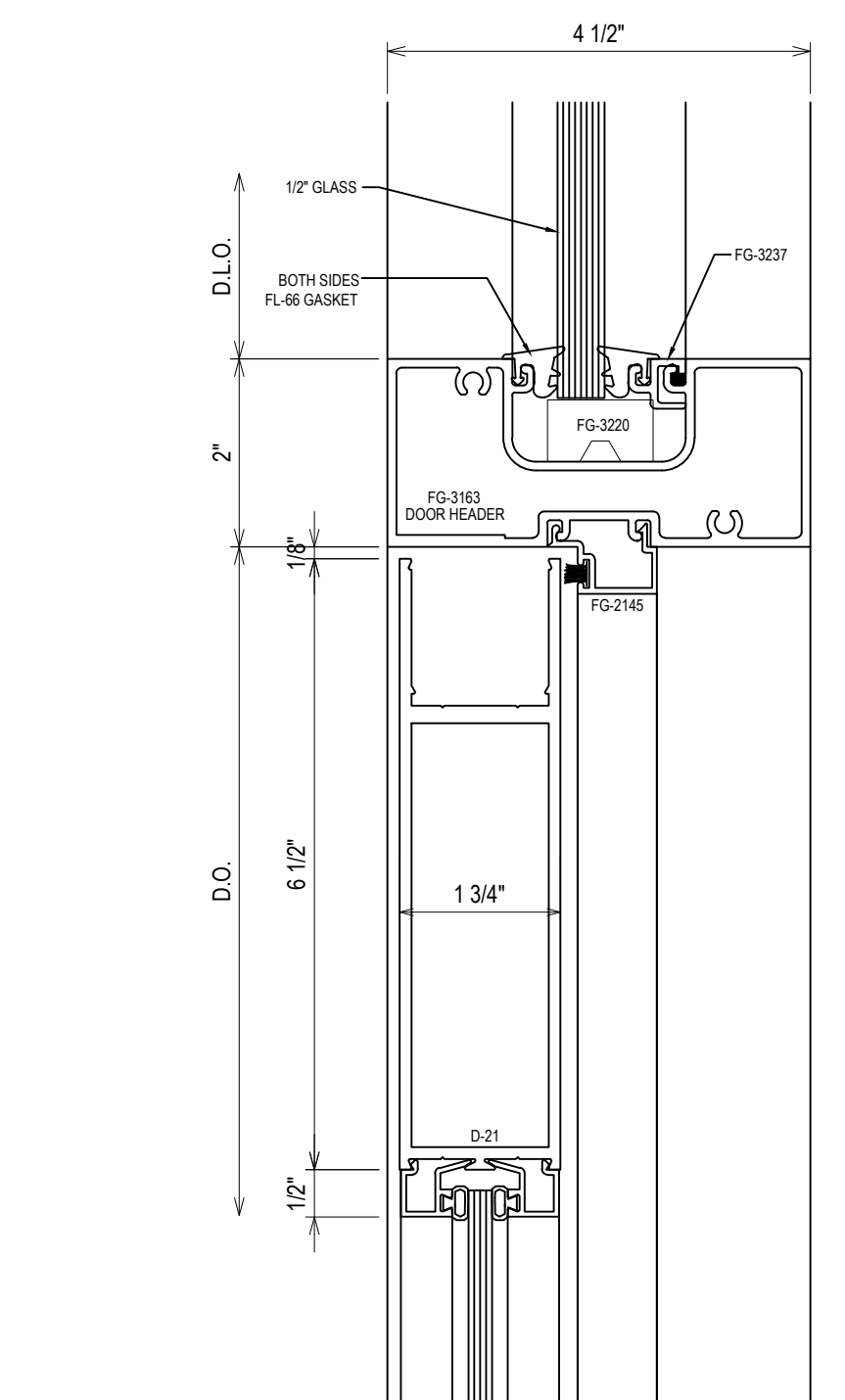
26
3.03
RE: NA
SF15a



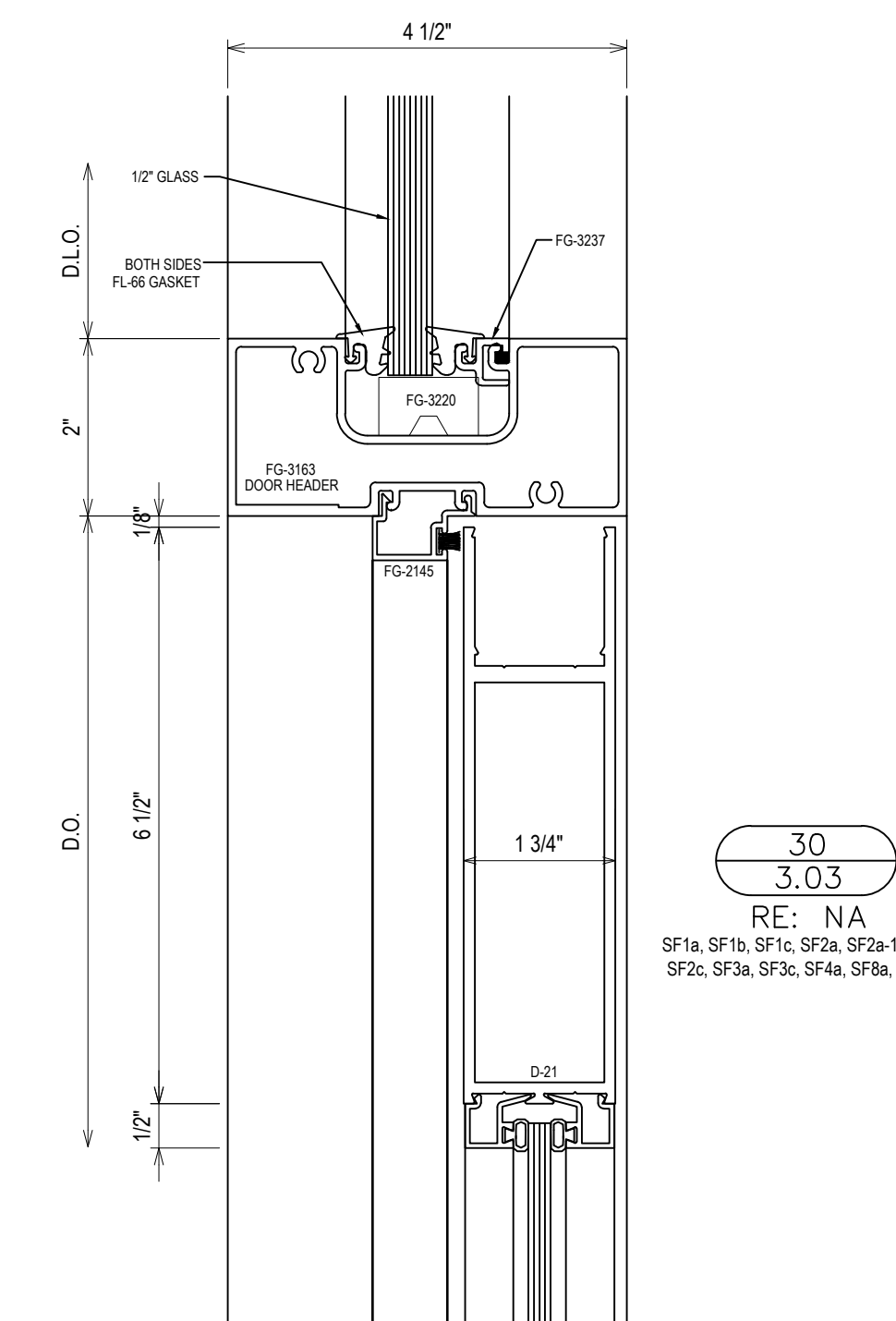
24
3.03
RE: 12D/A003-2
SF10a



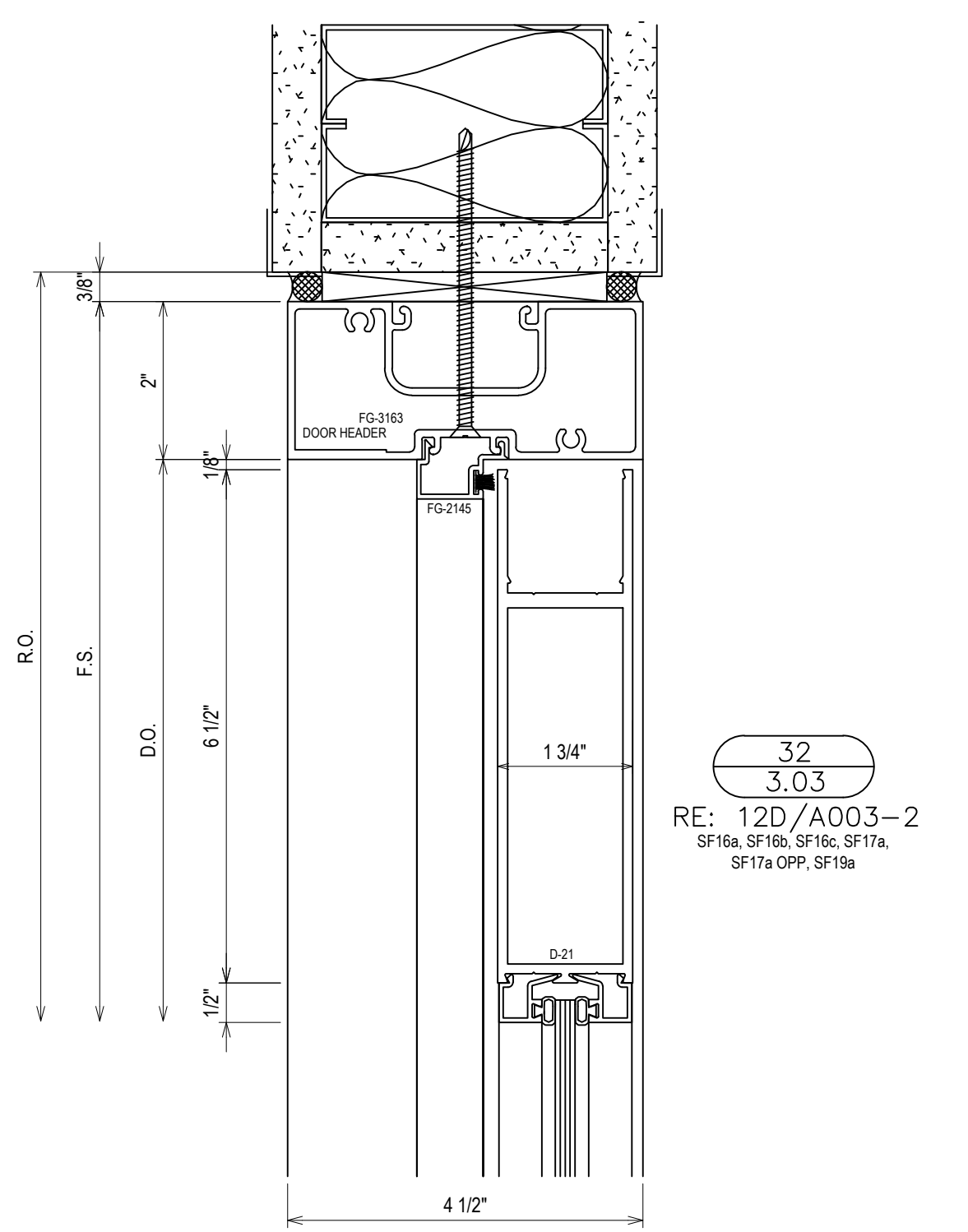
27
3.03
RE: NA
SF15a



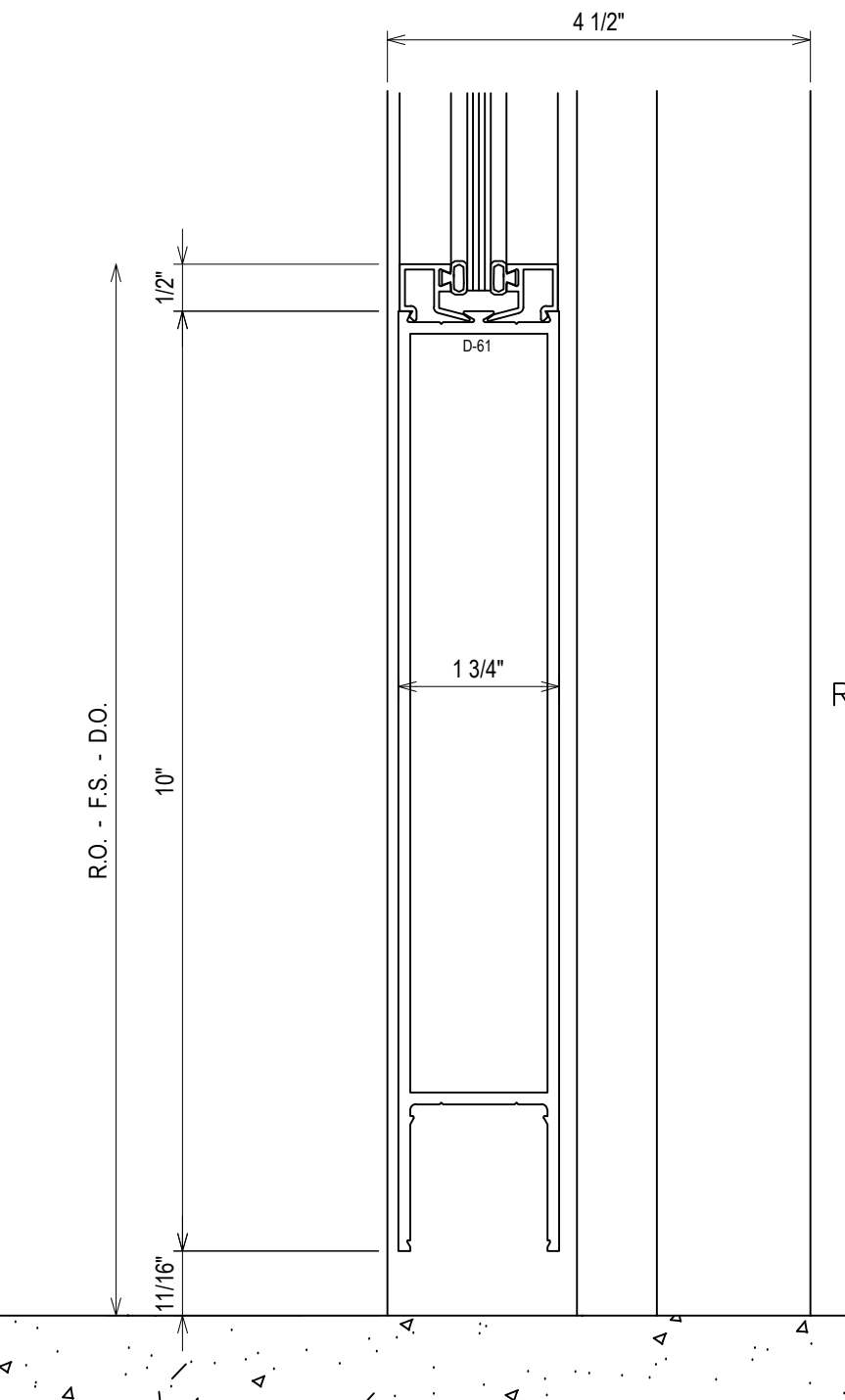
28
3.03
RE: NA
SF13a



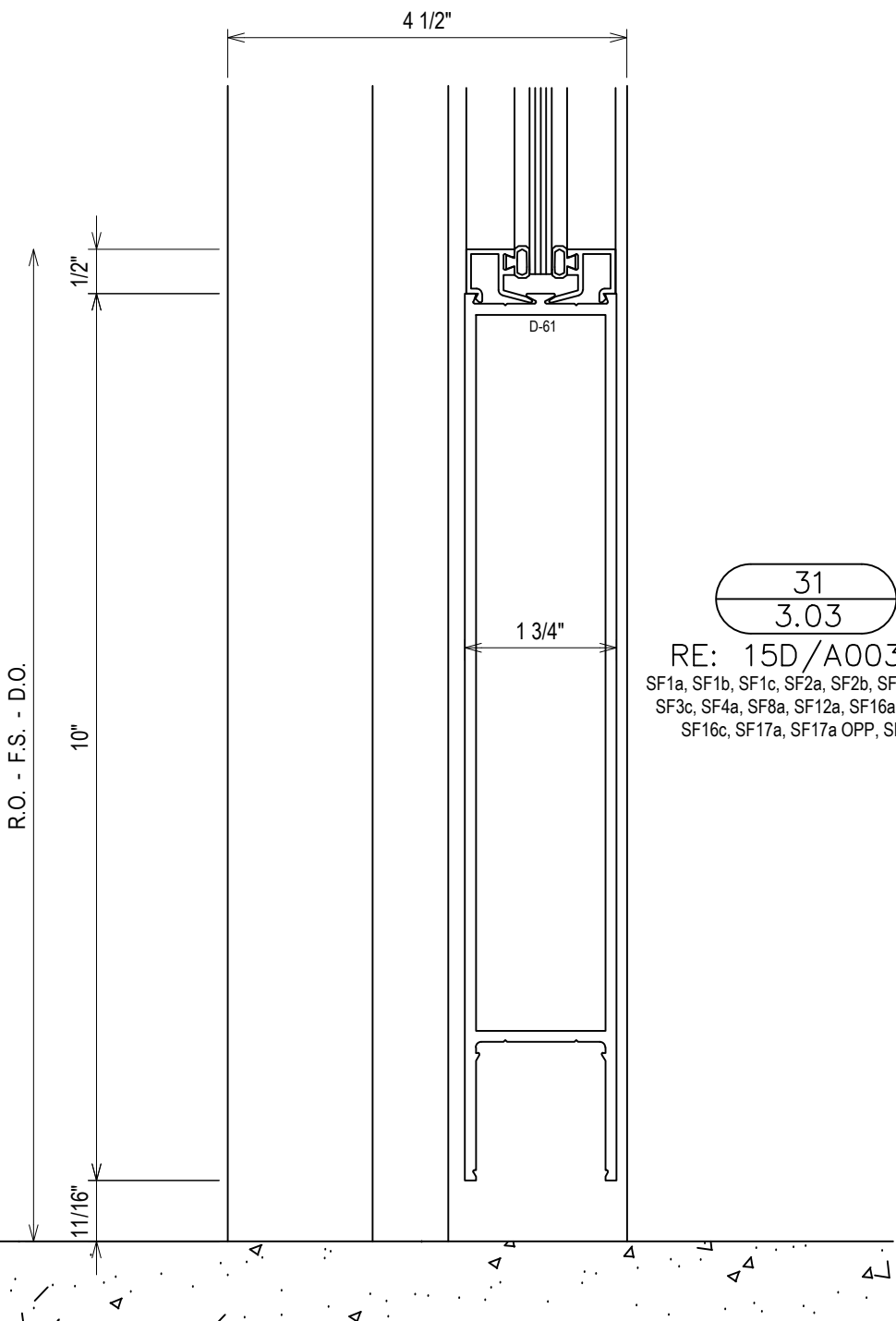
30
3.03
RE: NA
SF1a, SF1b, SF1c, SF2a, SF2a-1, SF2b, SF2c, SF3a, SF3b, SF3c, SF4a, SF4b, SF4c, SF5a, SF5b



32
3.03
RE: 12D/A003-2
SF16a, SF16b, SF16c, SF17a, SF17a OPP, SF18a



29
3.03
RE: 15D/A003-2
SF13a



31
3.03
RE: 15D/A003-2
SF1a, SF1b, SF1c, SF2a, SF2b, SF2c, SF3a, SF3c, SF4a, SF4b, SF4c, SF5a, SF5b, SF5c, SF6a, SF6b, SF6c, SF6d, SF6e, SF6f, SF6g, SF6h, SF6i, SF6j, SF6k, SF6l, SF6m, SF6n, SF6o, SF6p, SF6q, SF6r, SF6s, SF6t, SF6u, SF6v, SF6w, SF6x, SF6y, SF6z

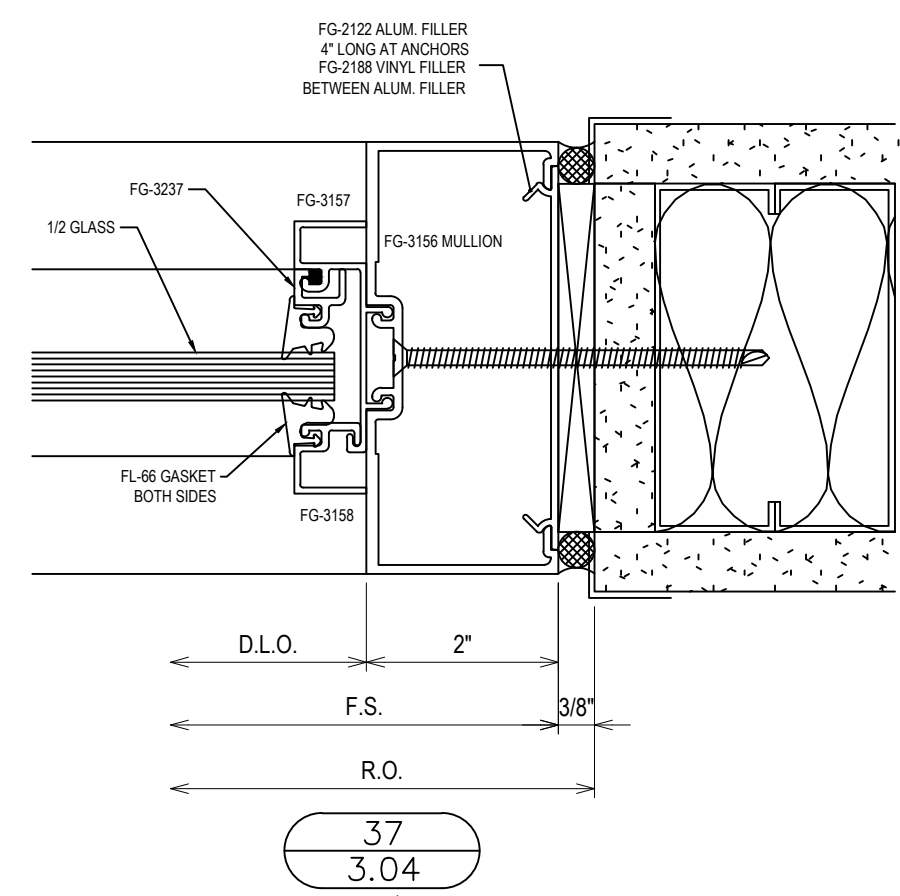
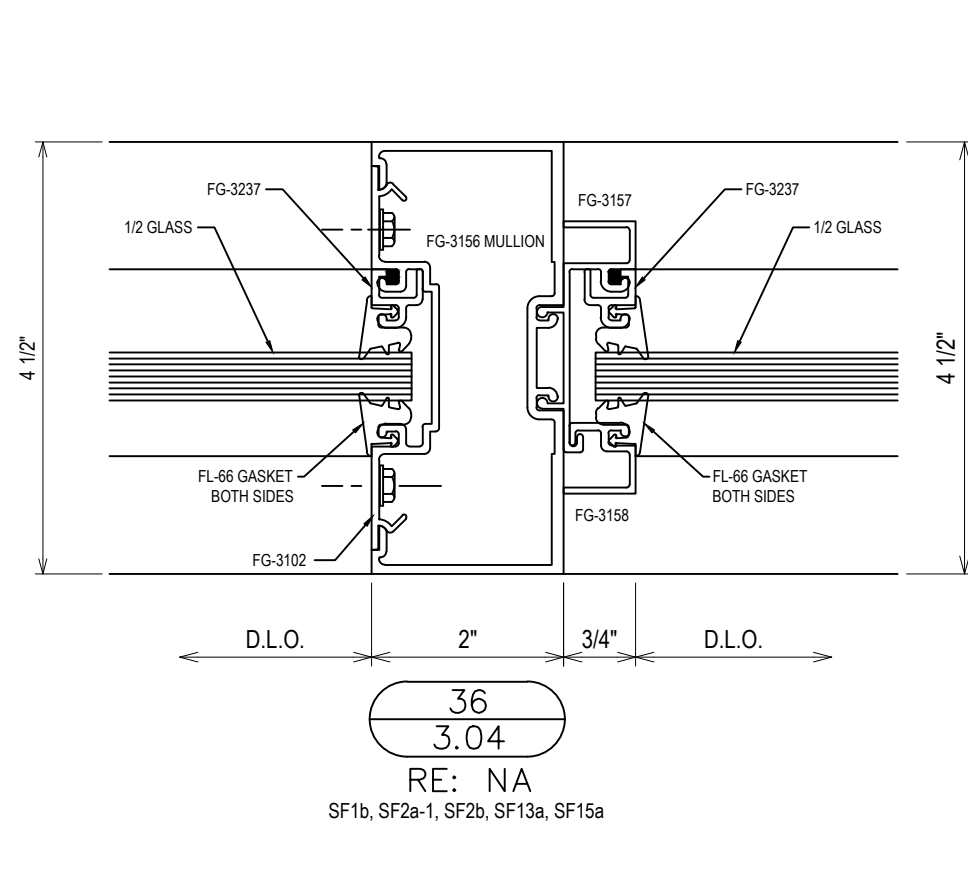
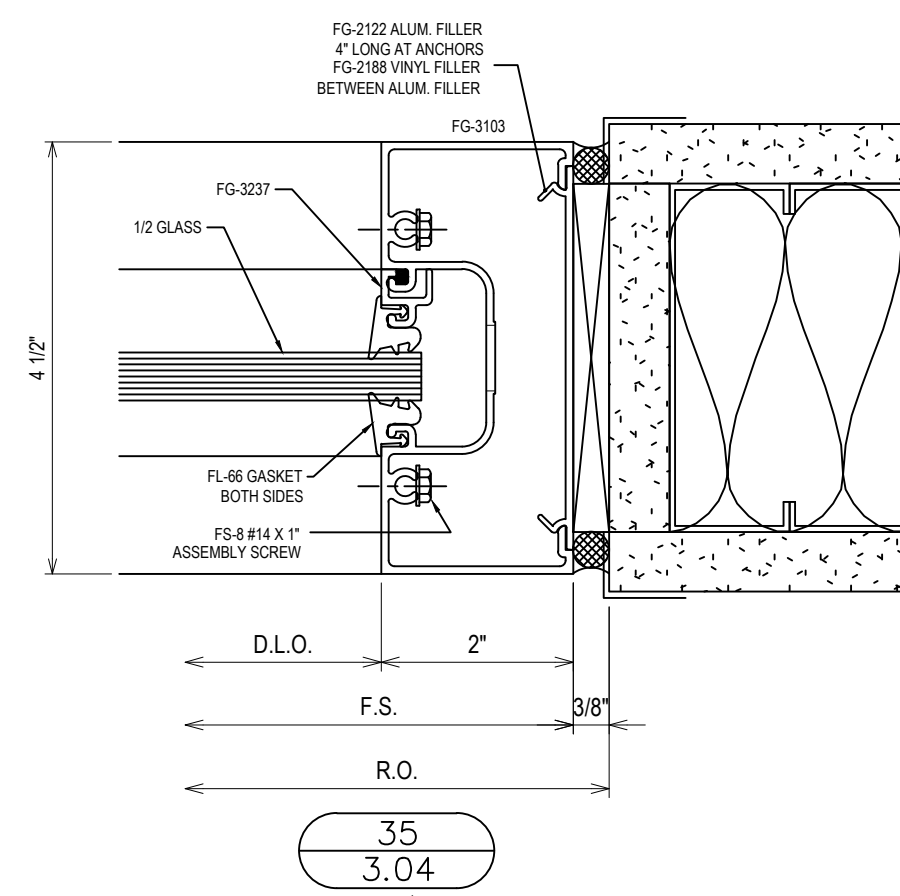
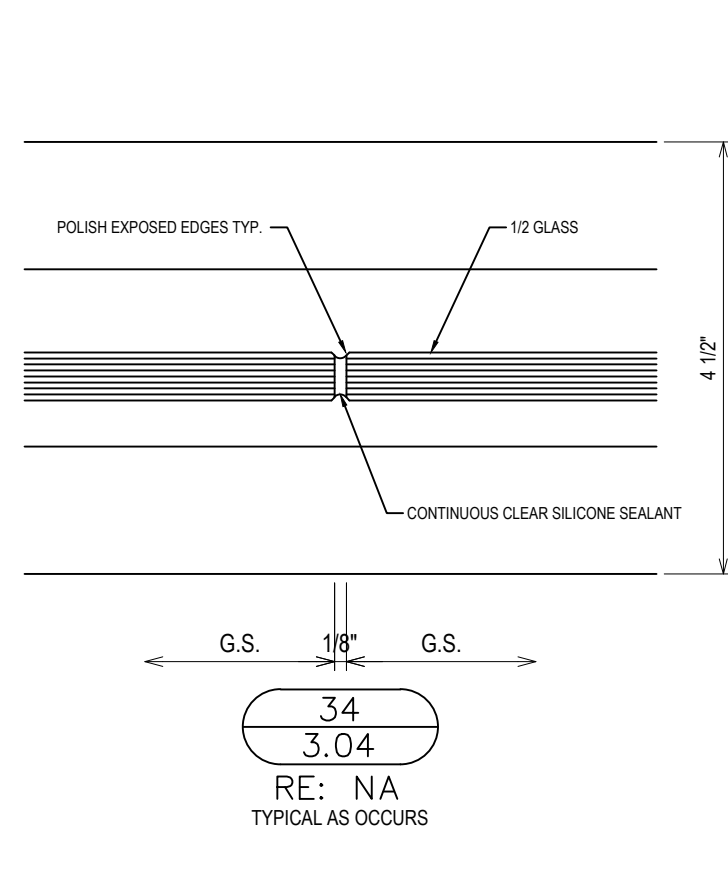
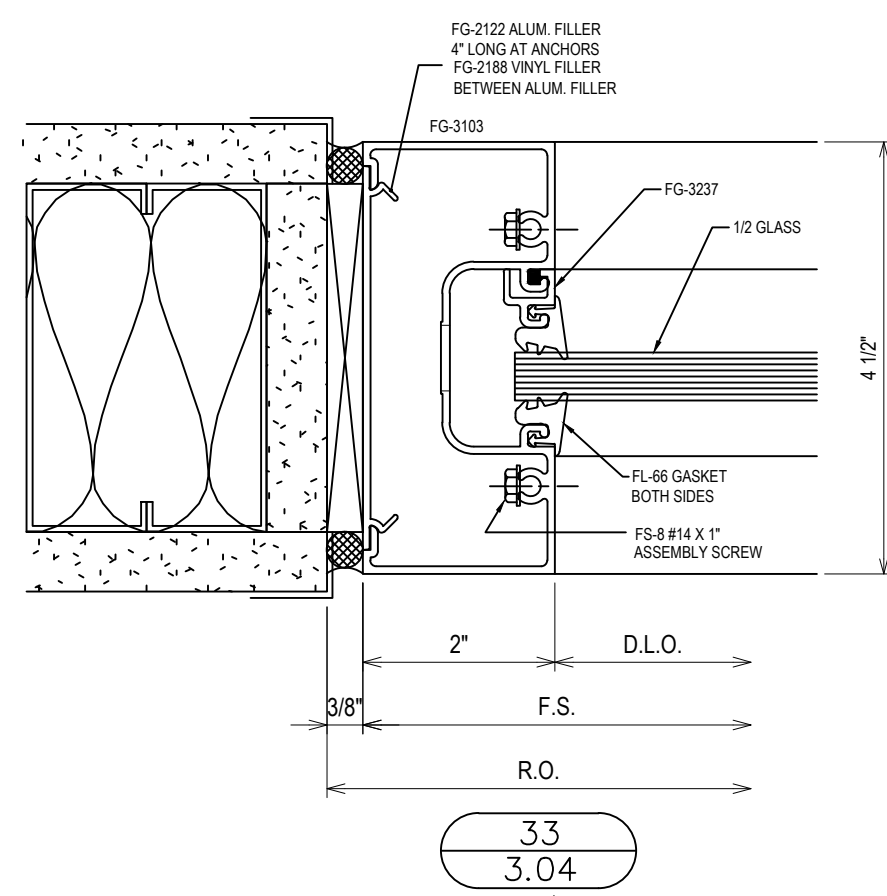
DATE	5/2/16
DESCRIPTION	1ST SUBMISSION
REV.	1ST REVISION

CLEMSON FOOTBALL OPERATIONS
(INTERIOR SUBMITTAL)
CLEMSON, SC

GRAHAM-HODGE
ASSOCIATES INC.

DRAWN BY	DATE
APPROVED BY	DATE
SCALE	AS NOTED
FILE NO.	

3.03

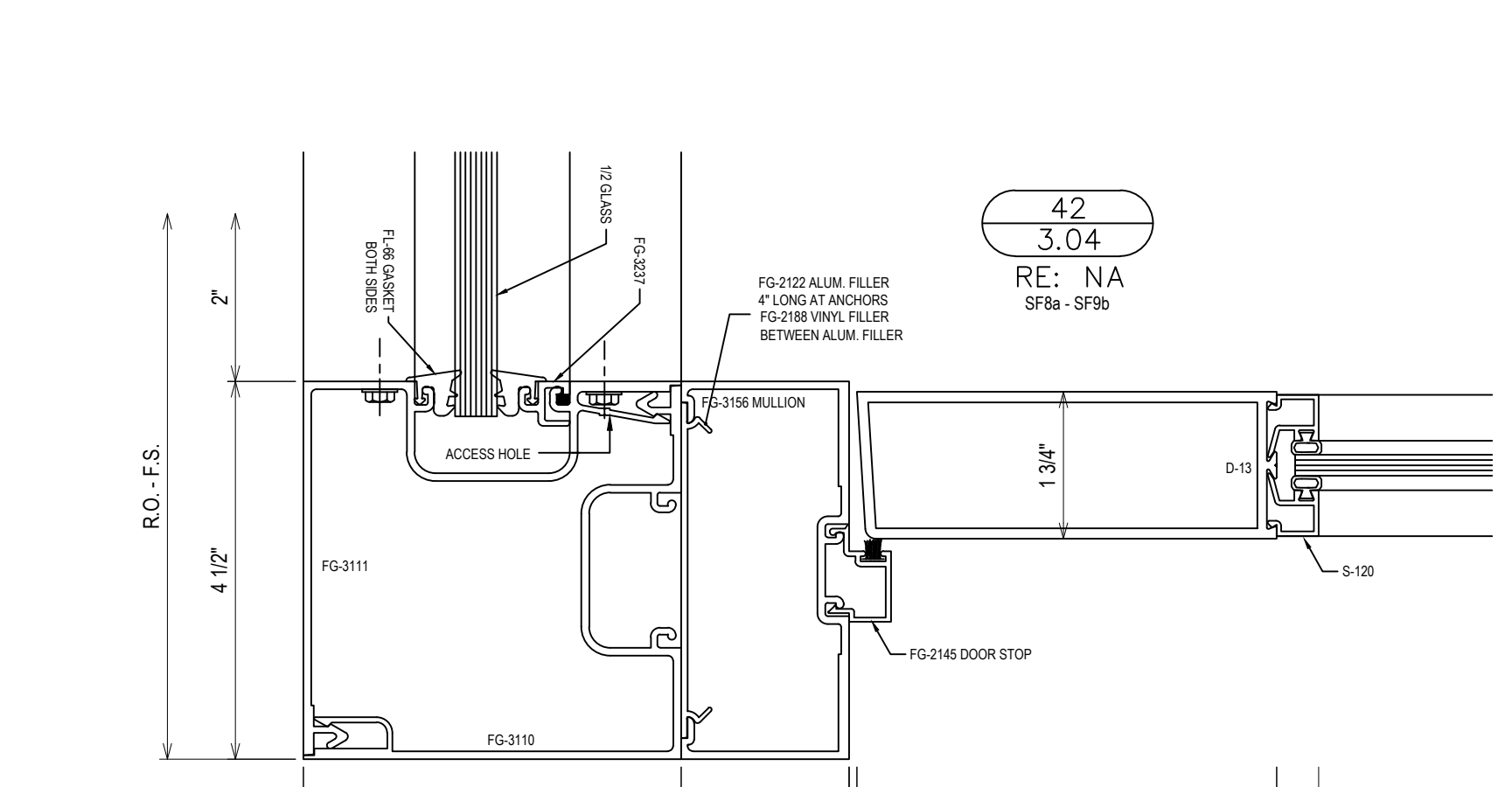
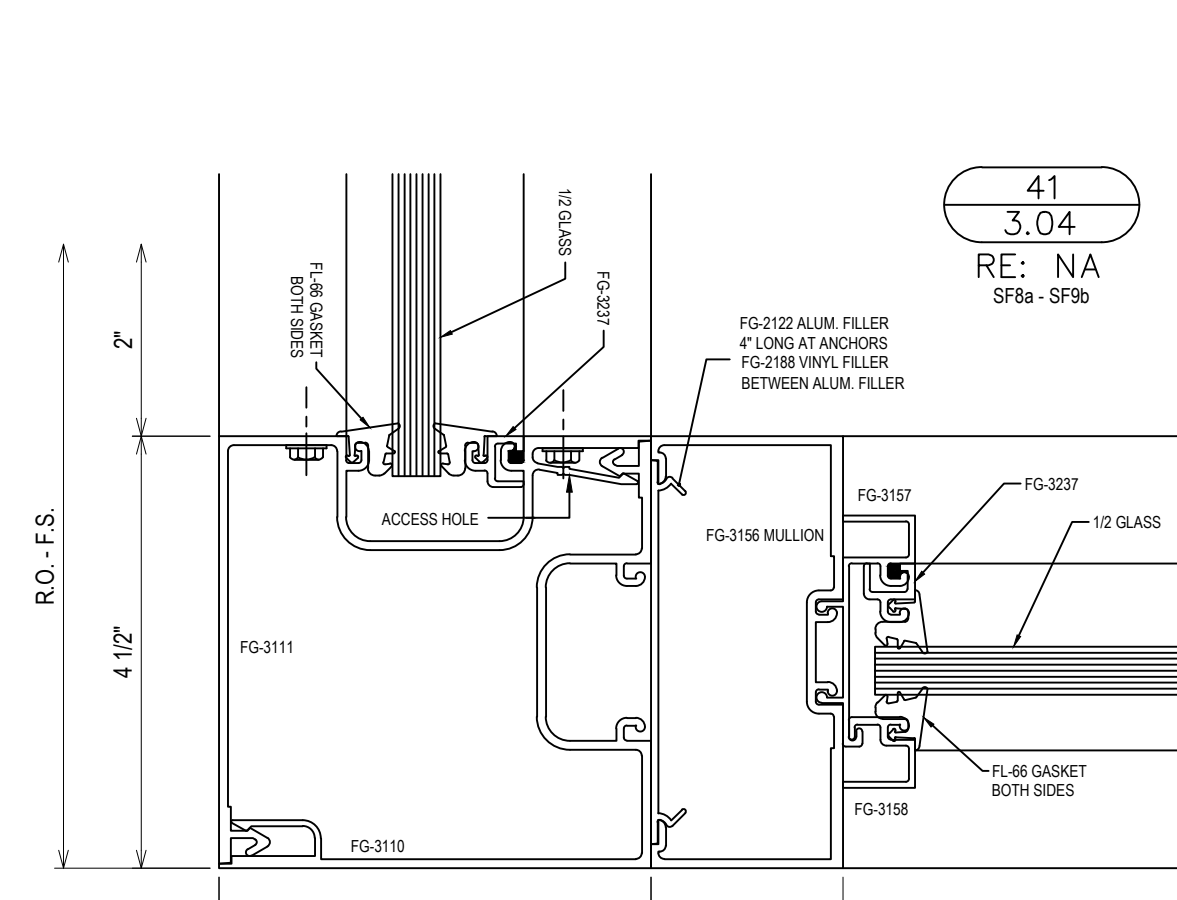
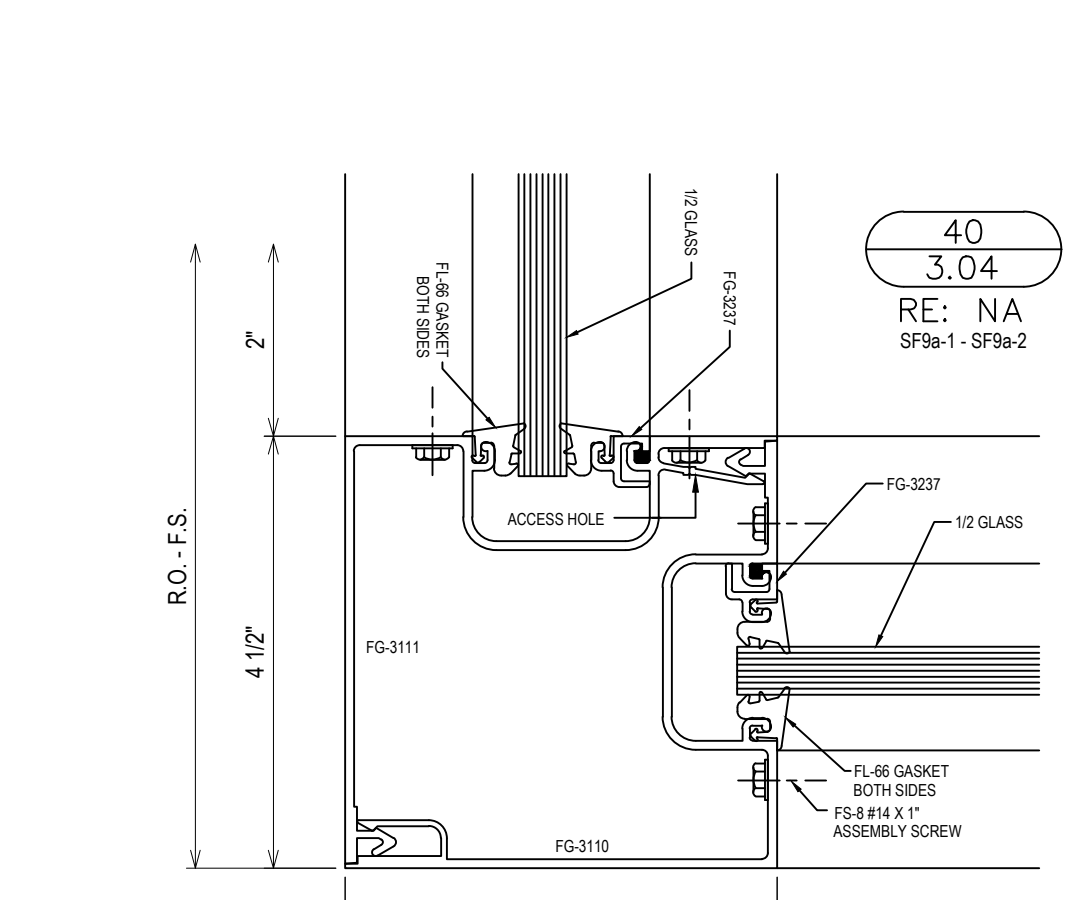
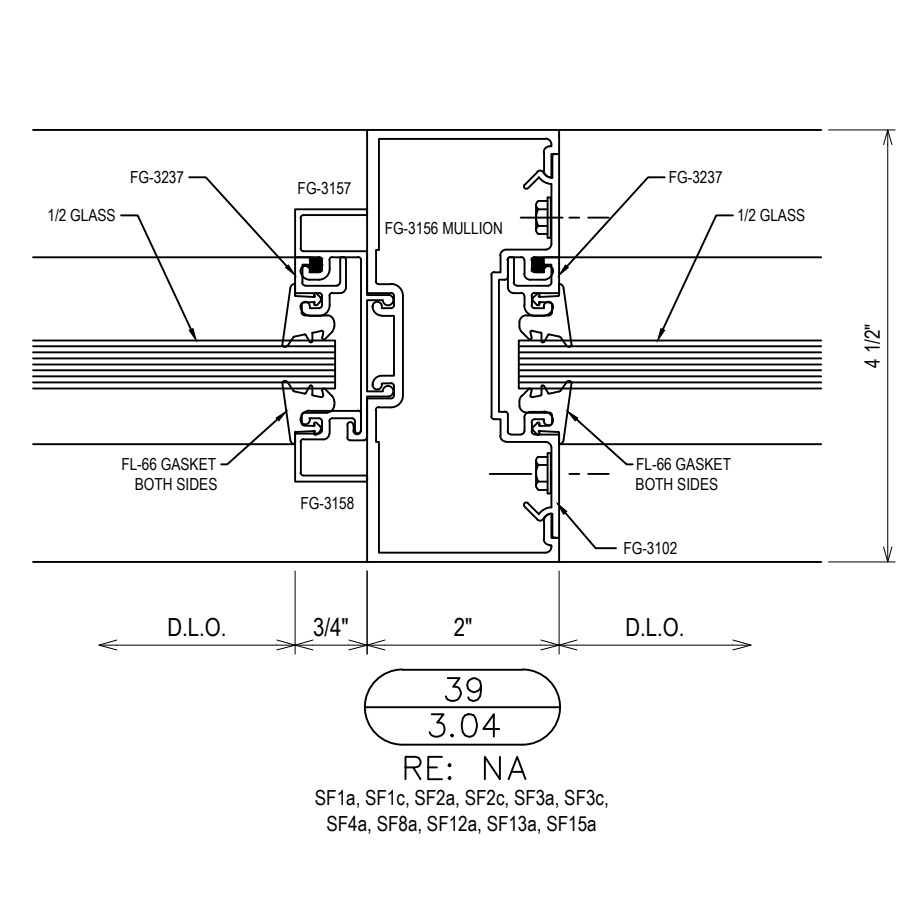
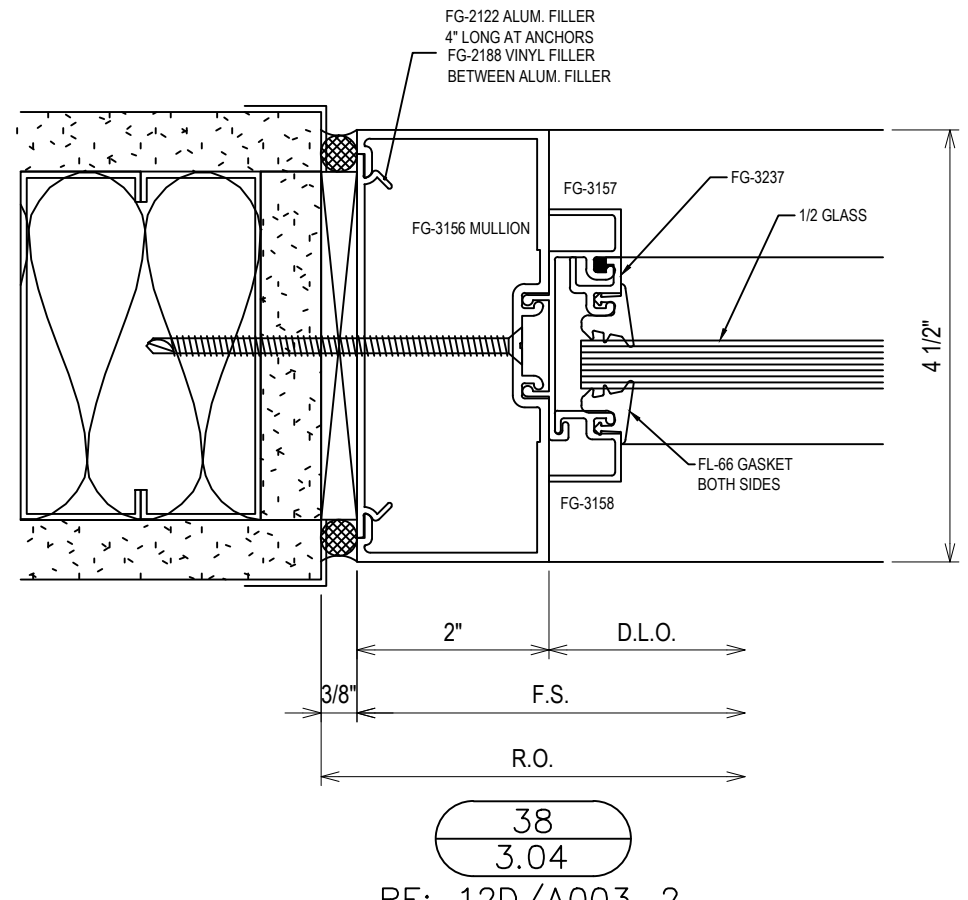


RE: 12D/A003-2
SF1b, SF2a-1, SF2b, SF3a, SF6, SF7a, SF9a-1, SF9b, SF10a, SF13a, SF14a, SF14b, SF15a, SF16a, SF17a OPP, SF19a

RE: 12D/A003-2
SF1a, SF1c, SF2a, SF2c, SF3a, SF3c, SF4a, SF5a, SF6a, SF7a, SF8a, SF9a-2, SF10a, SF12a, SF13a, SF14a, SF14b, SF15a, SF16b, SF16c, SF17a

RE: NA
SF1b, SF2a-1, SF2b, SF13a, SF15a

RE: 12D/A003-2
SF1b, SF2a-1, SF2b



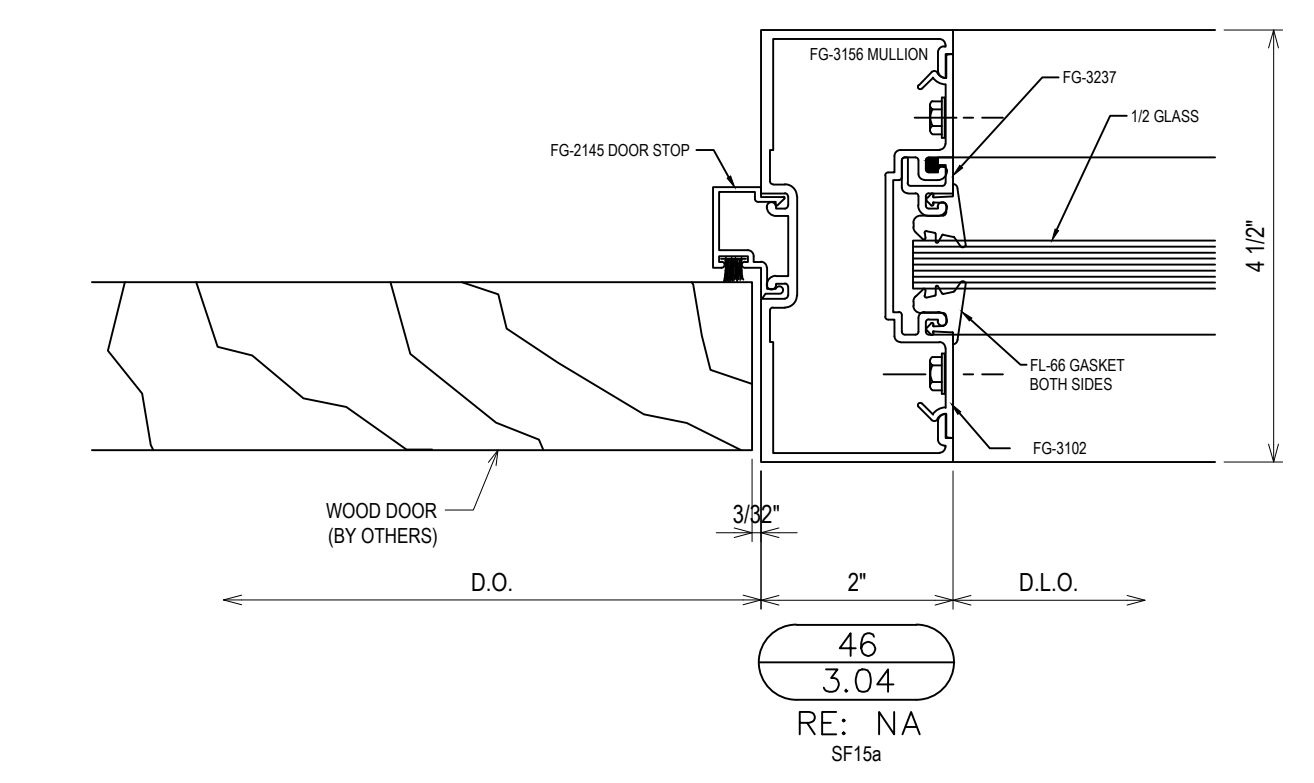
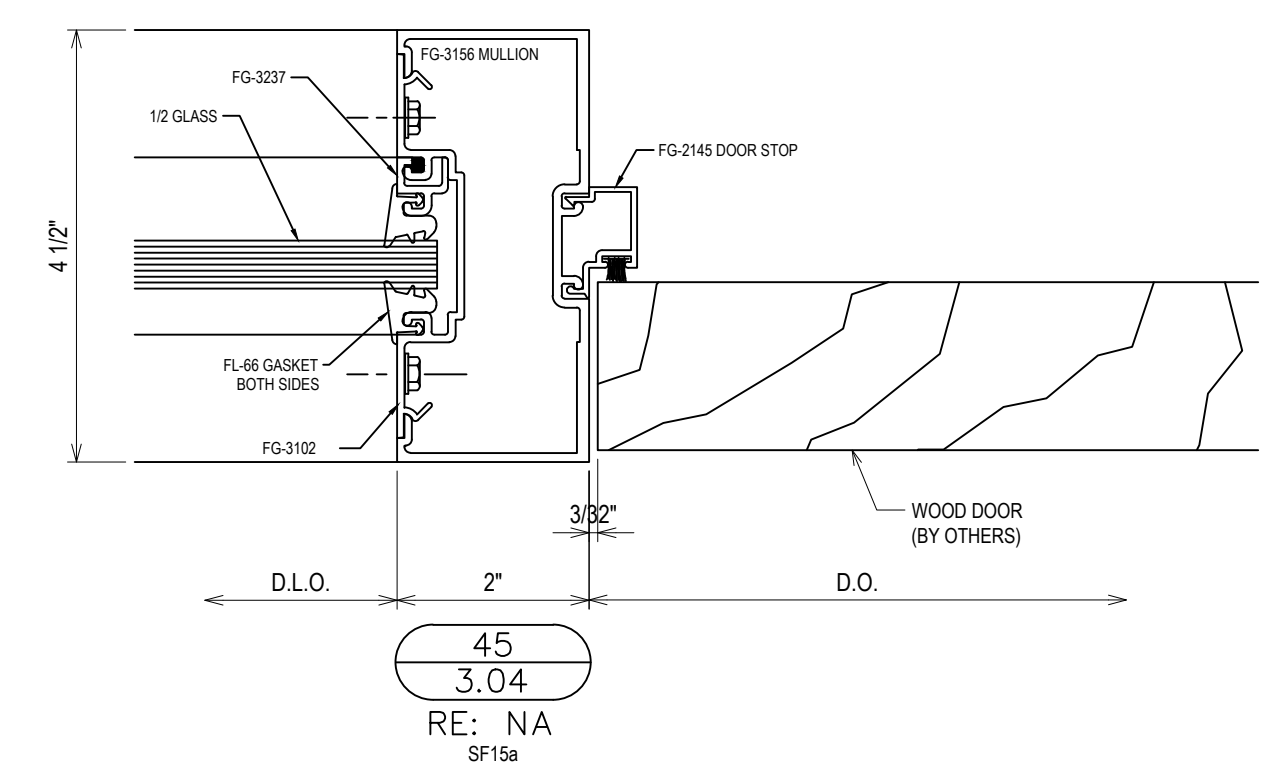
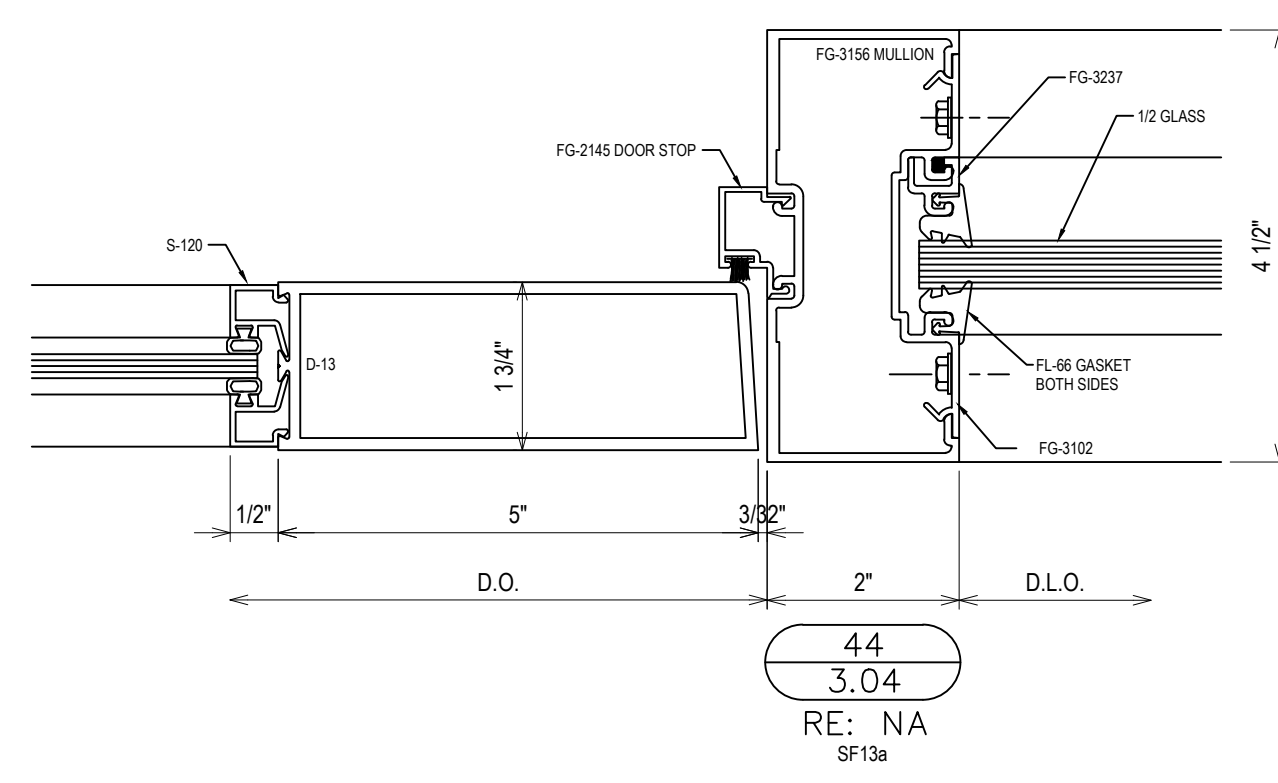
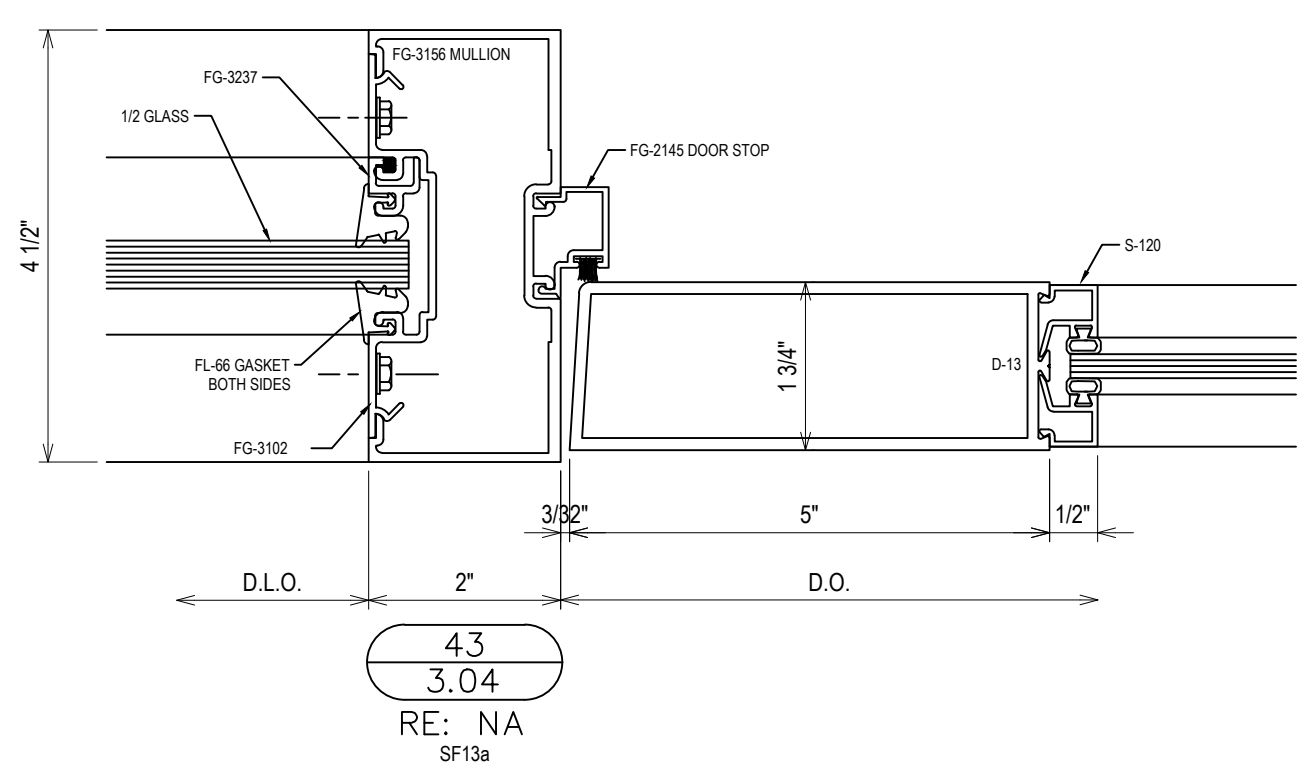
RE: 12D/A003-2
SF1a, SF1c, SF2a, SF2c, SF3a, SF3c, SF4a, SF8a, SF12a, SF13a, SF15a

RE: NA
SF1a, SF1c, SF2a, SF2c, SF3a, SF3c, SF4a, SF8a, SF12a, SF13a, SF15a

RE: NA
SF9a-1, SF9a-2

RE: NA
SF8a, SF9b

RE: NA
SF8a, SF9b

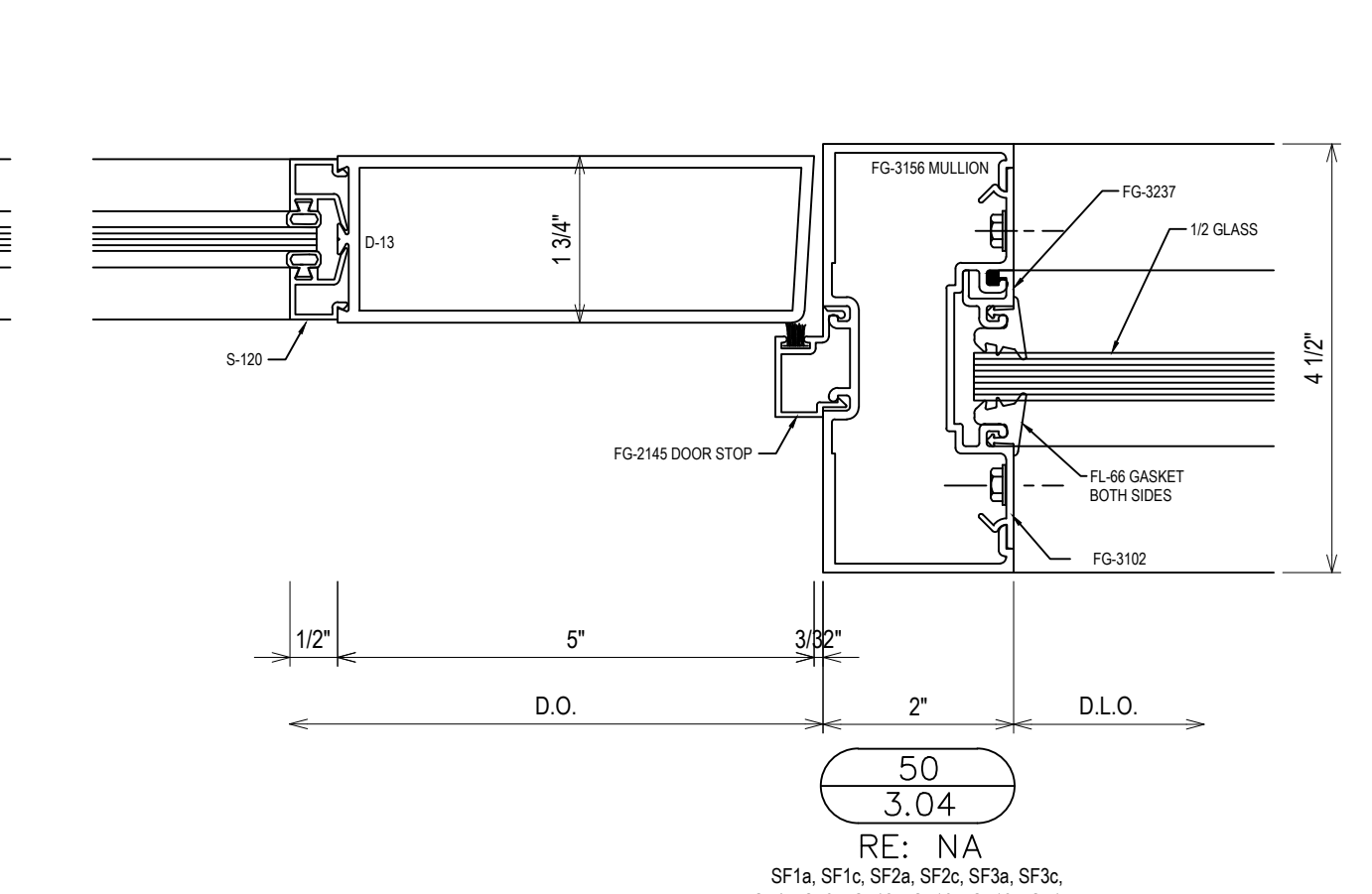
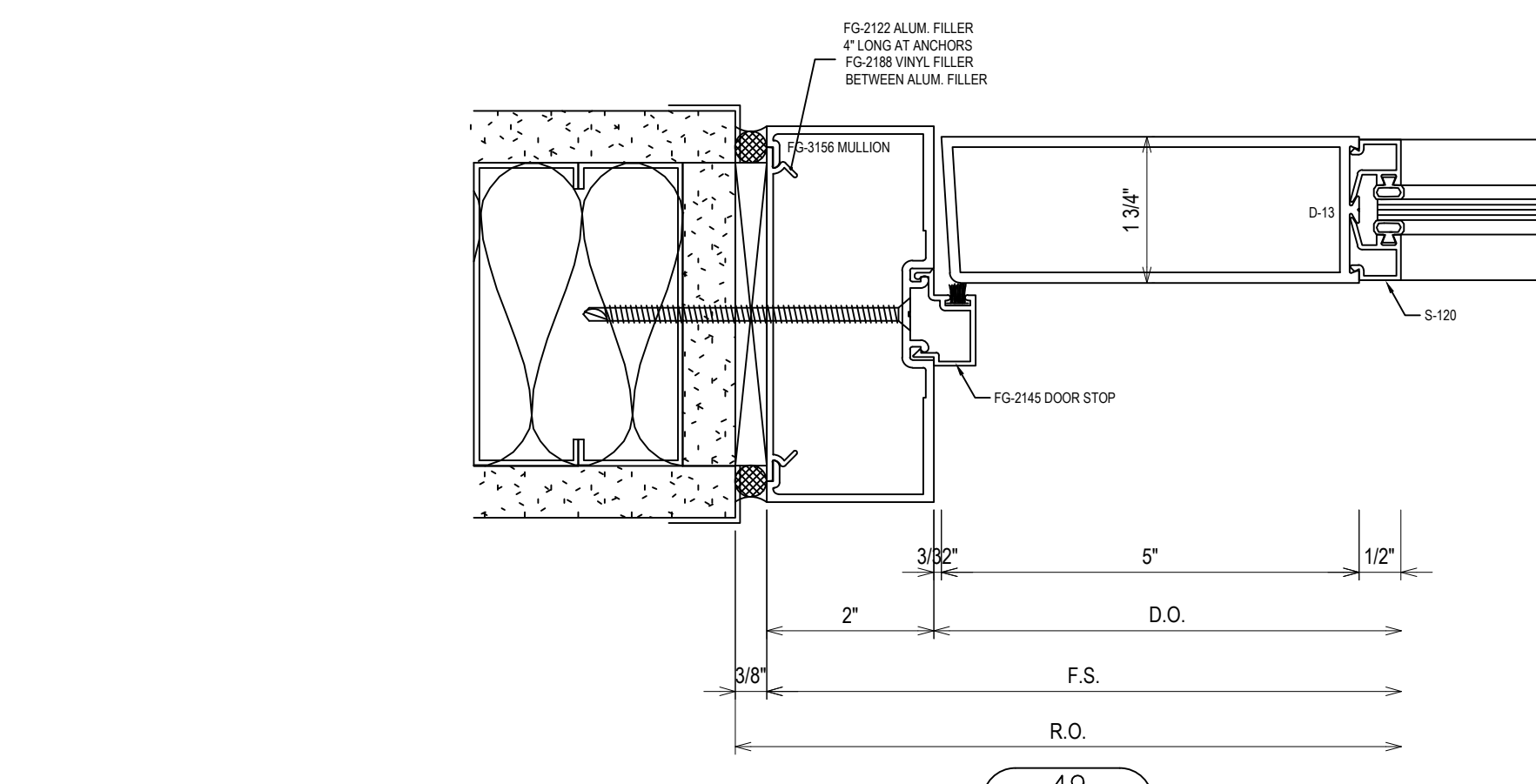
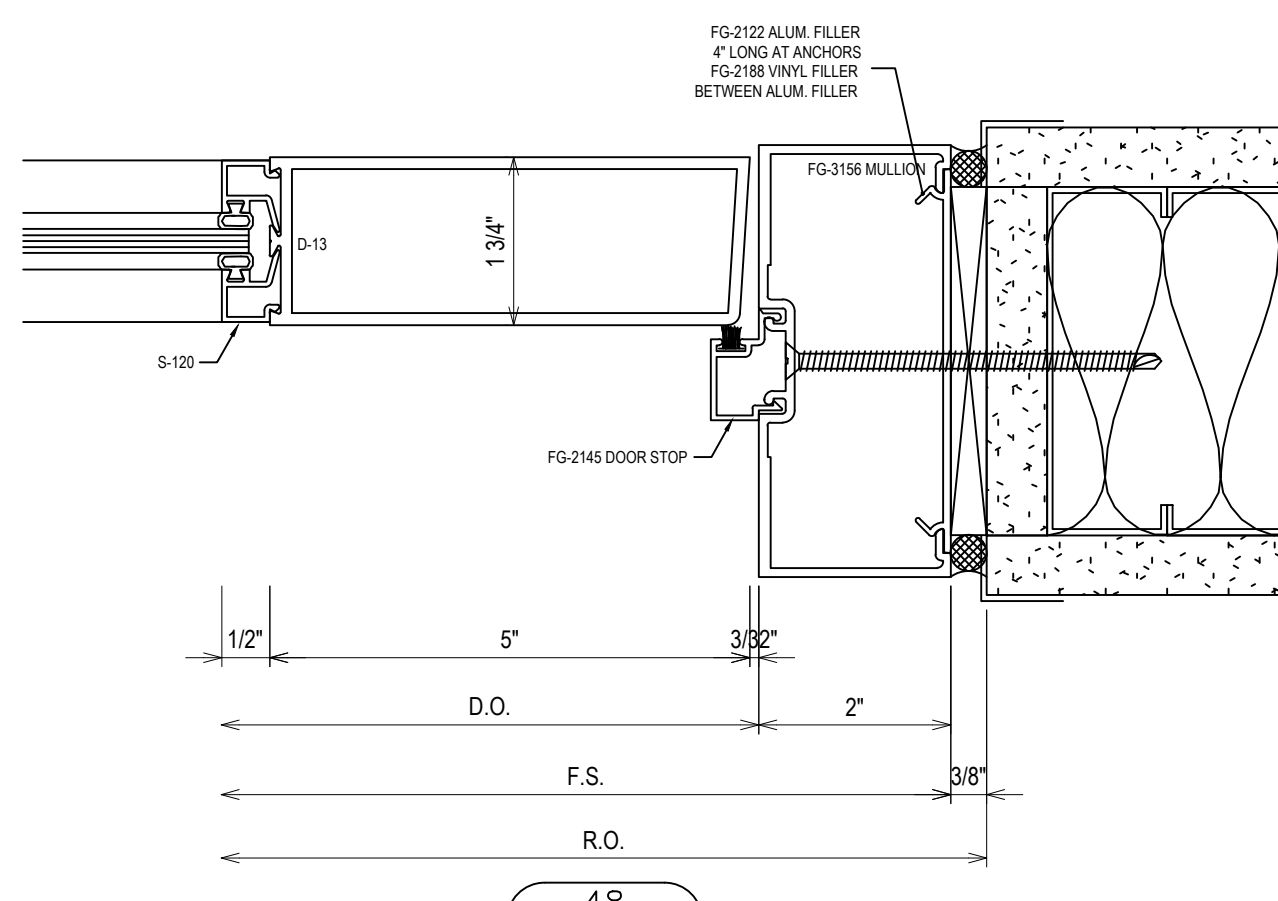
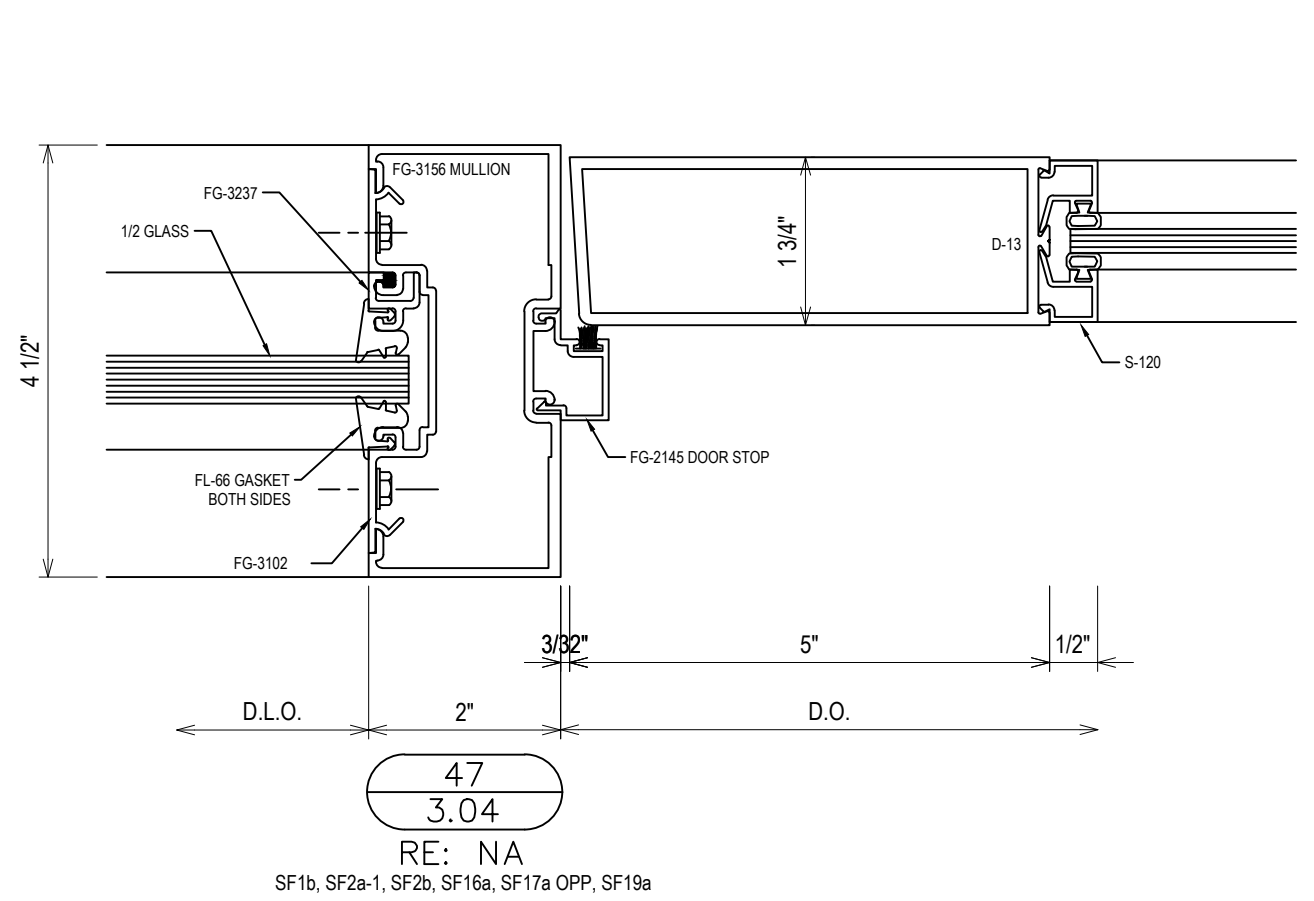


RE: NA
SF13a

RE: NA
SF13a

RE: NA
SF15a

RE: NA
SF15a



RE: NA
SF1b, SF2a-1, SF2b, SF16a, SF17a OPP, SF19a

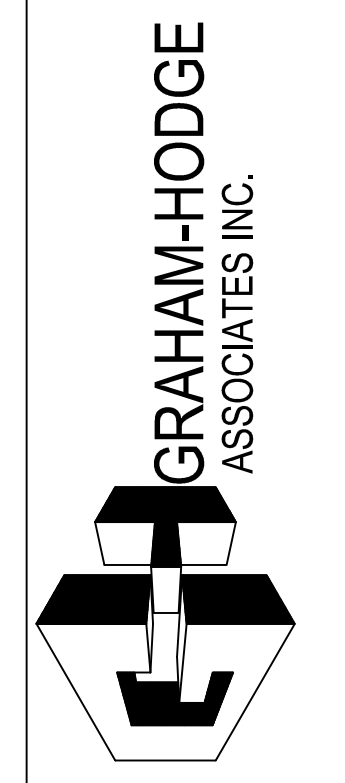
RE: 12D/A003-2
SF1b, SF2a-1, SF2b, SF16a, SF17a OPP, SF19a

RE: 12D/A003-2
SF1a, SF1c, SF2a, SF2c, SF3a, SF3c, SF4a, SF12a, SF16b, SF16c, SF17a

RE: NA
SF1a, SF1c, SF2a, SF2c, SF3a, SF3c, SF4a, SF8a, SF12a, SF16b, SF16c, SF17a

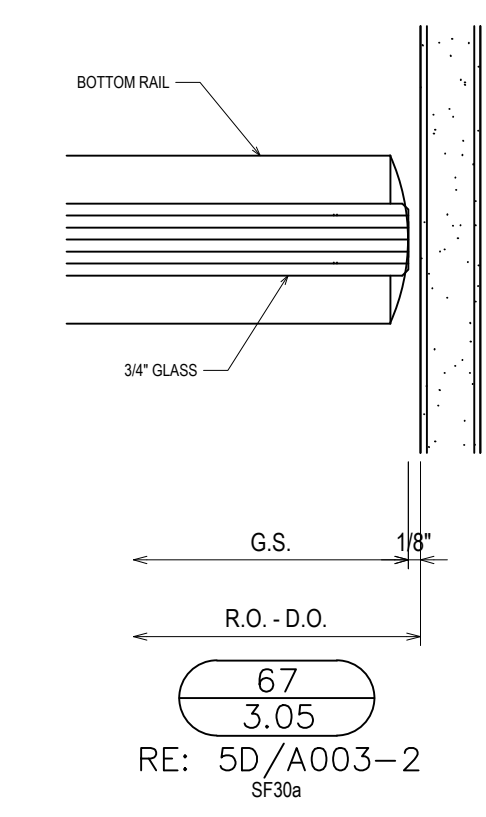
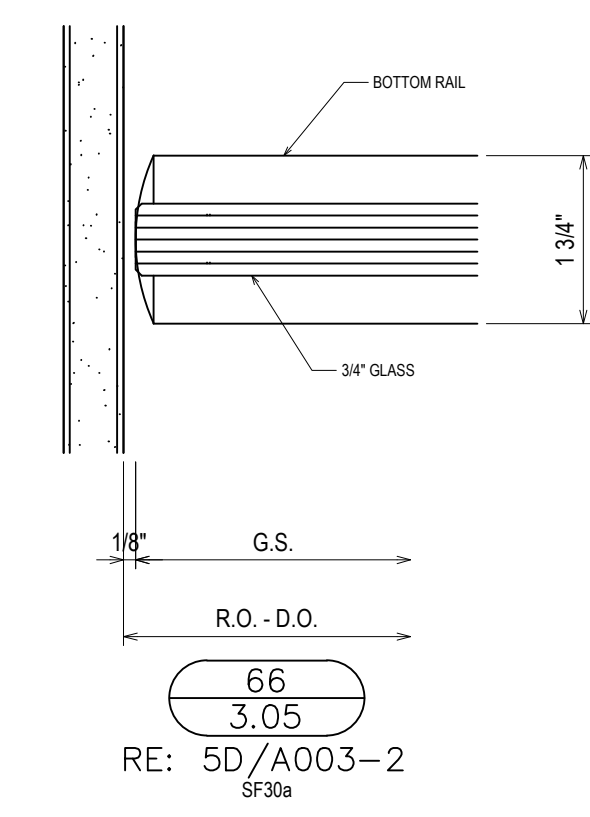
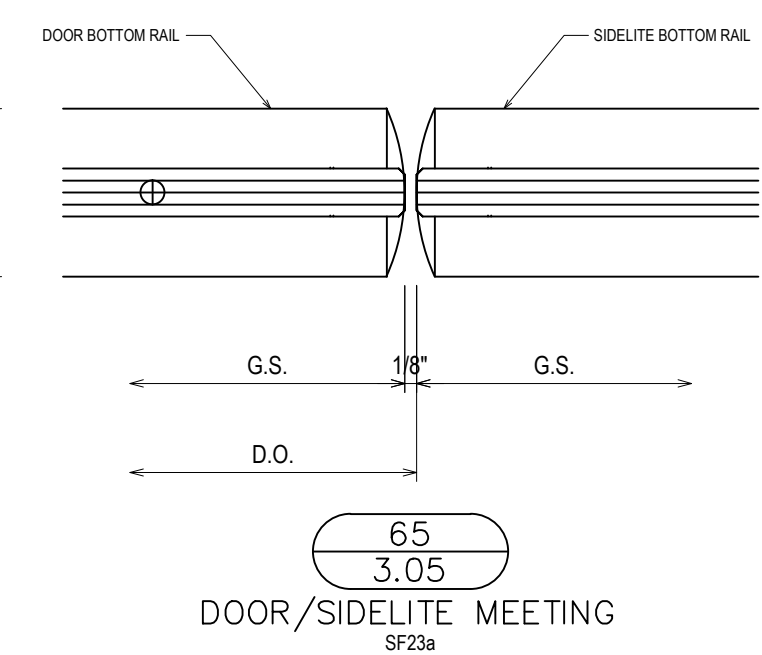
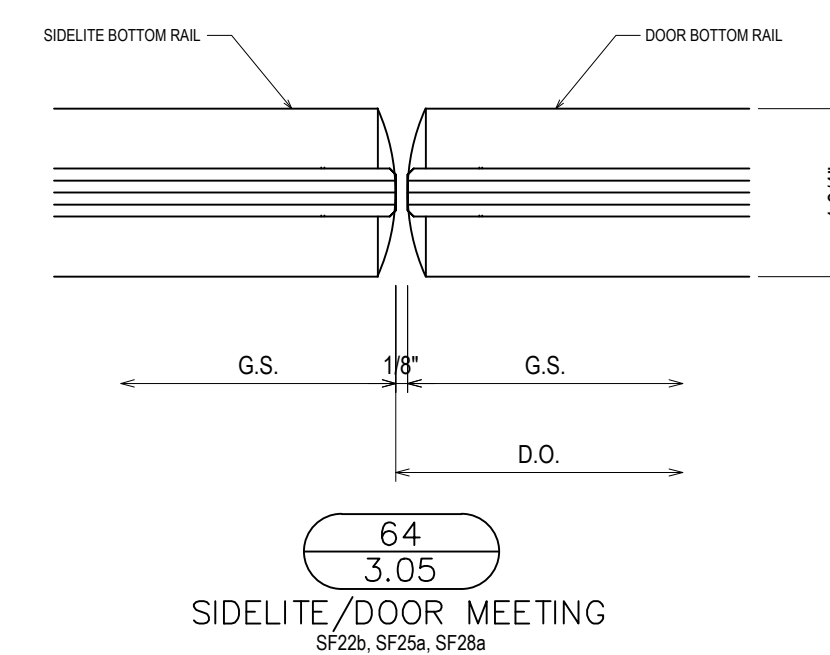
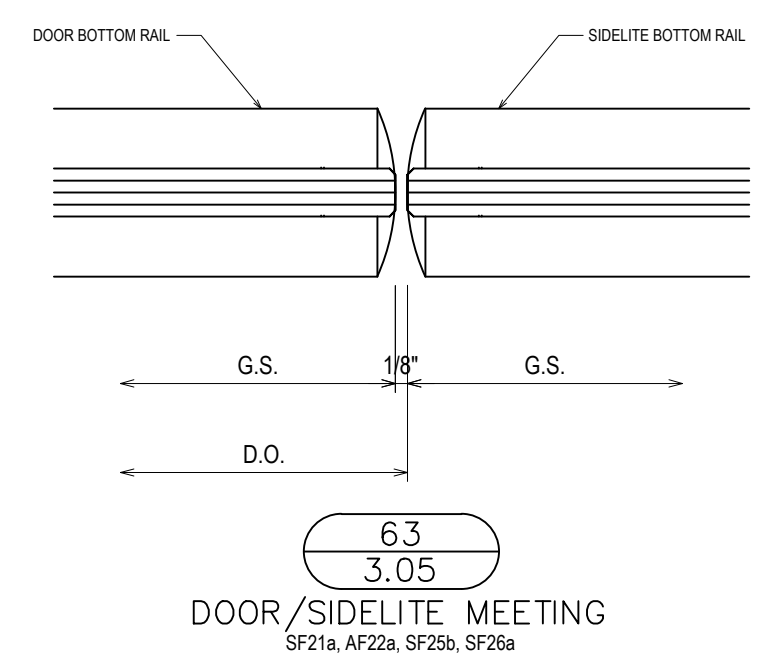
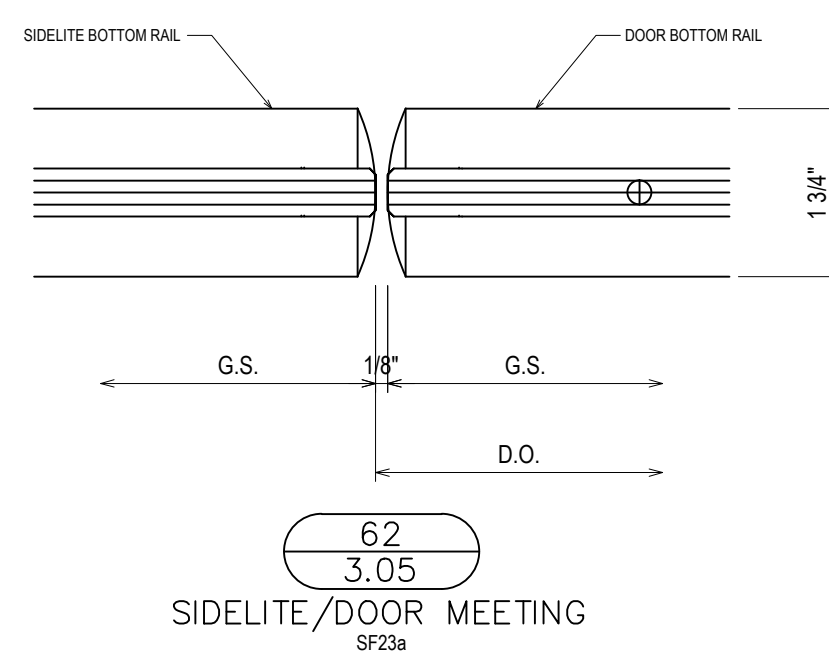
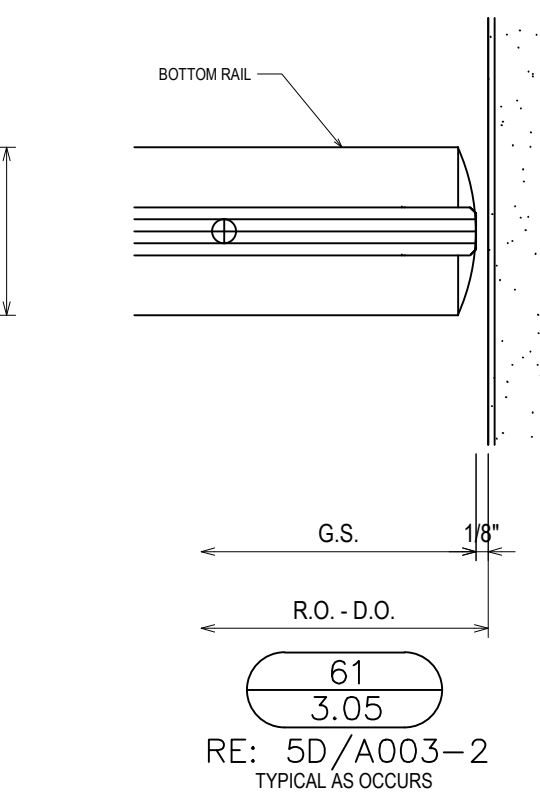
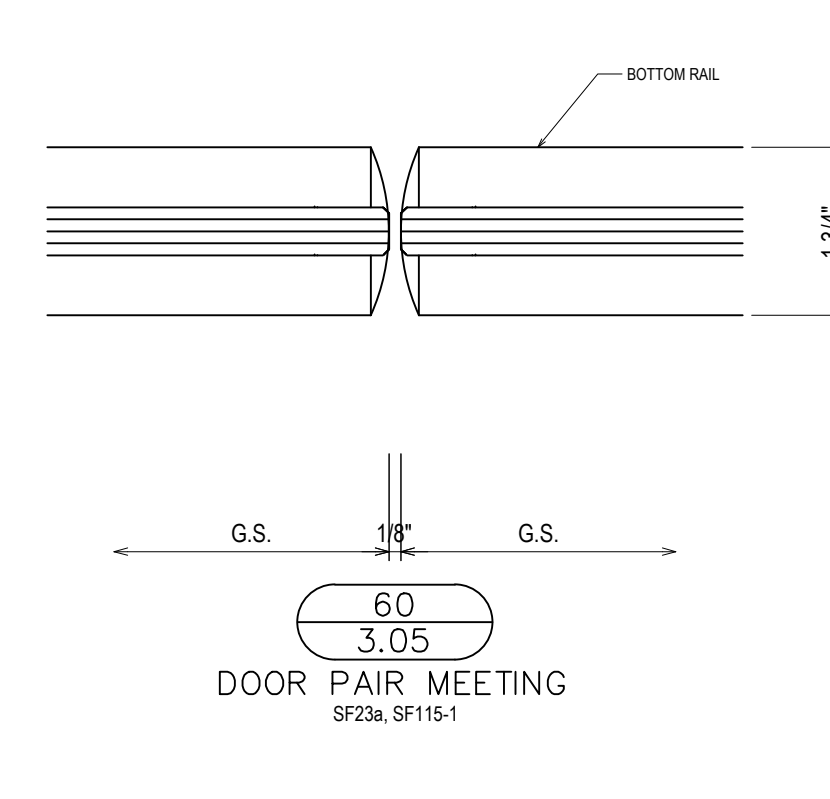
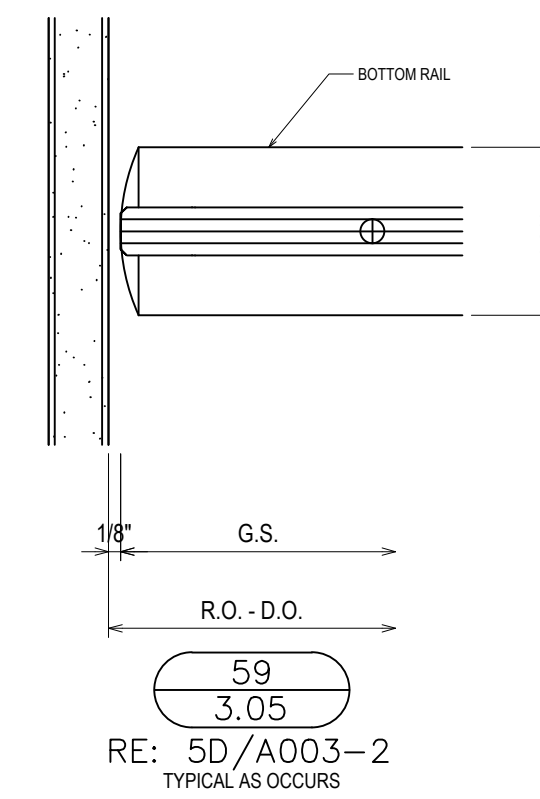
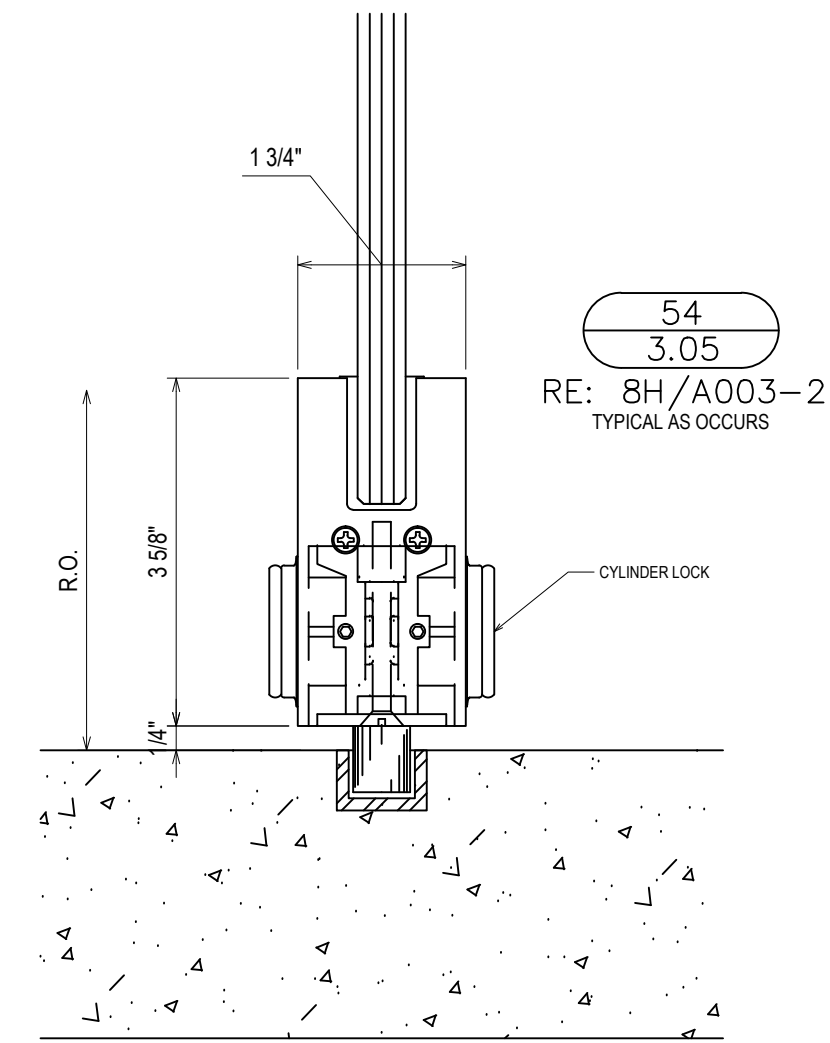
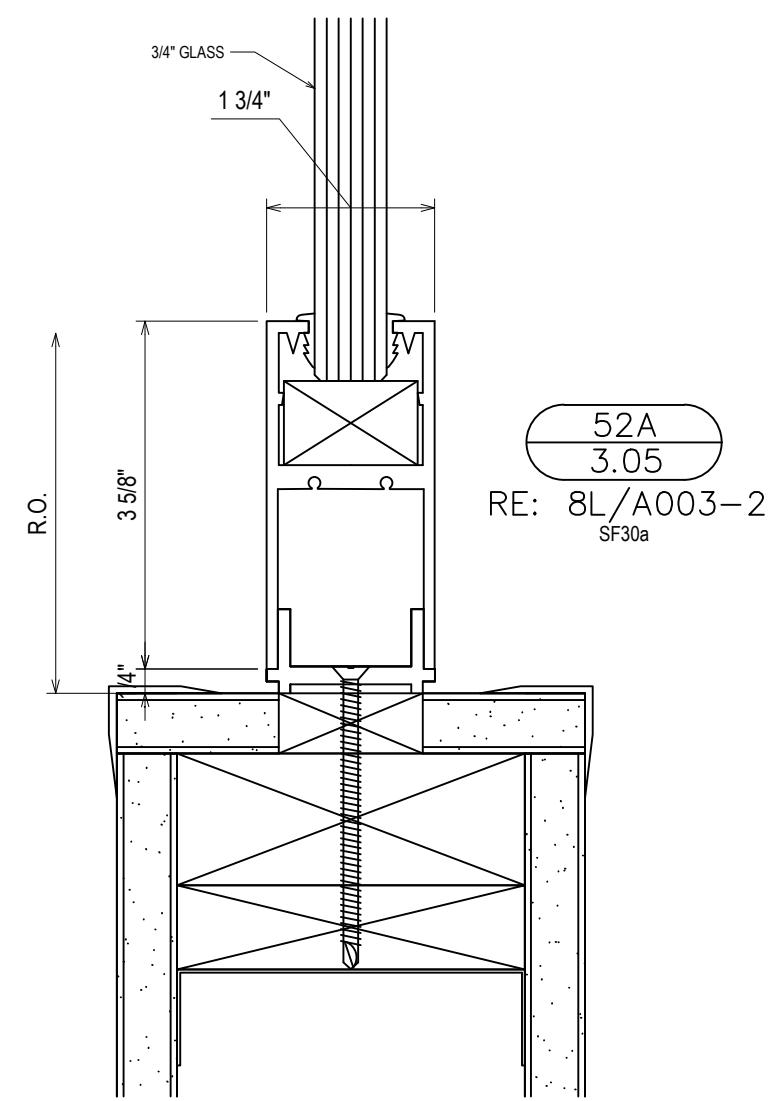
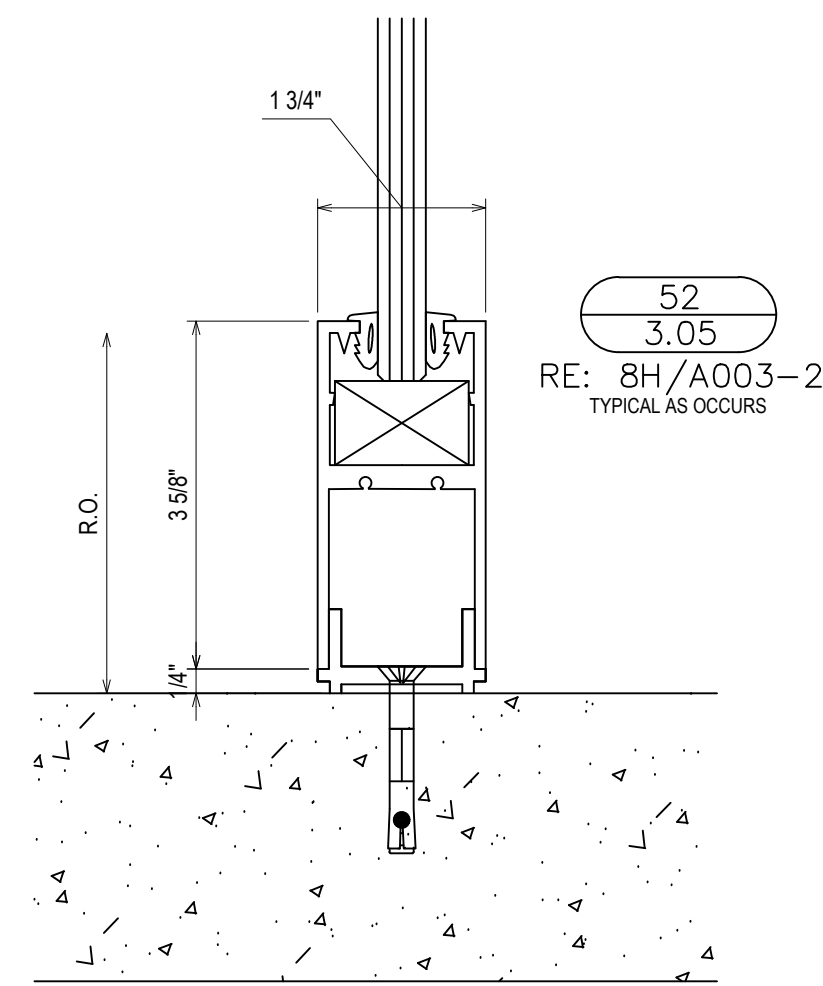
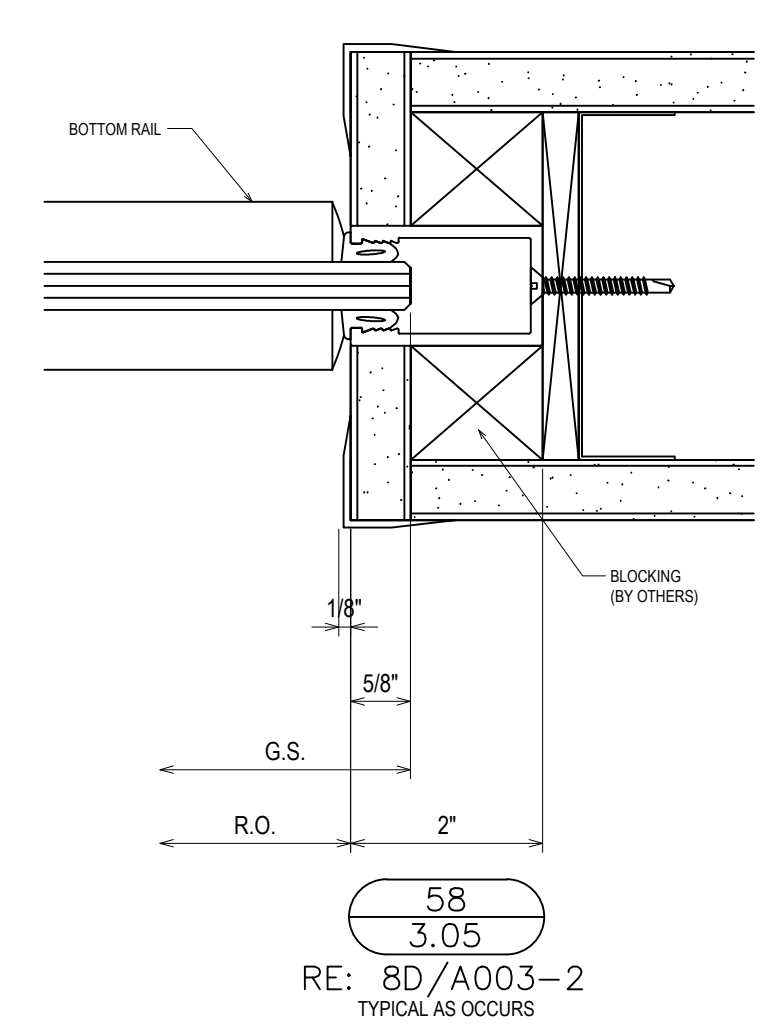
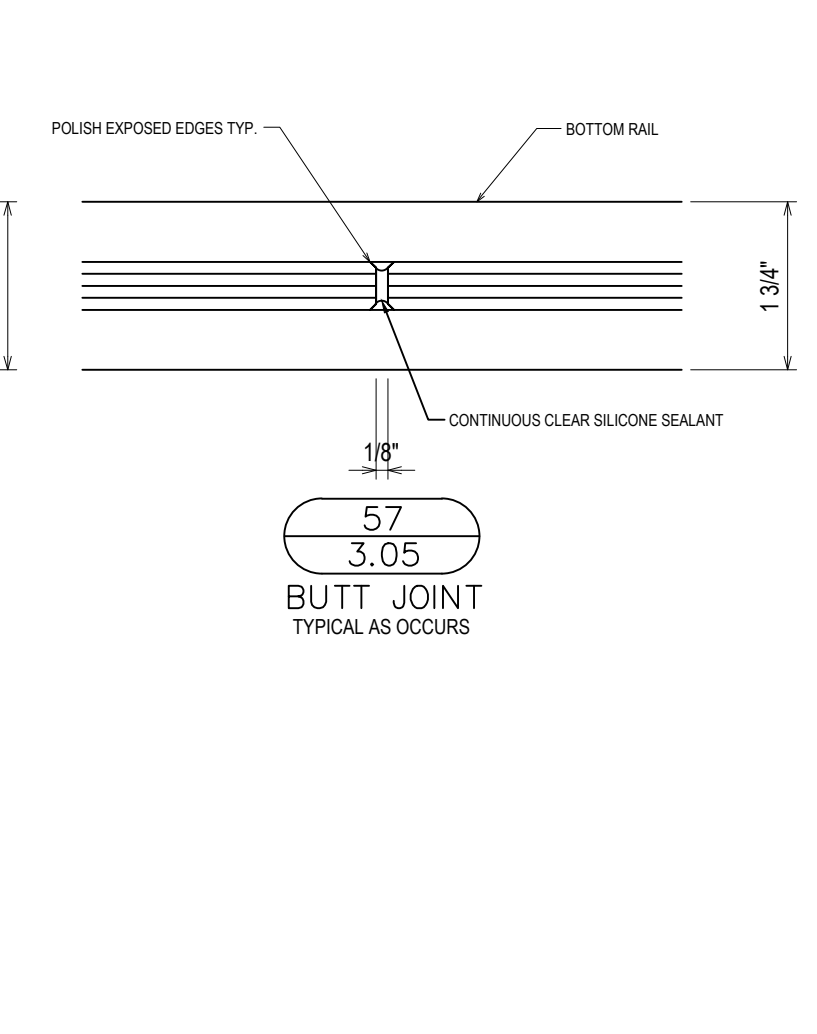
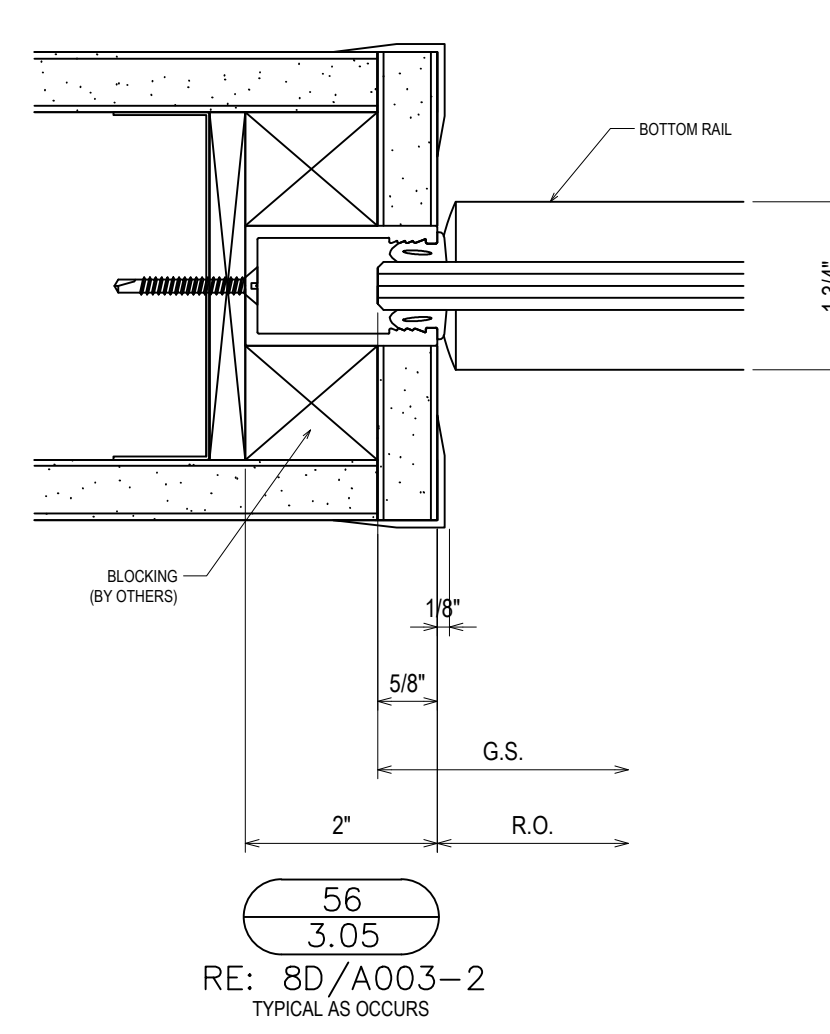
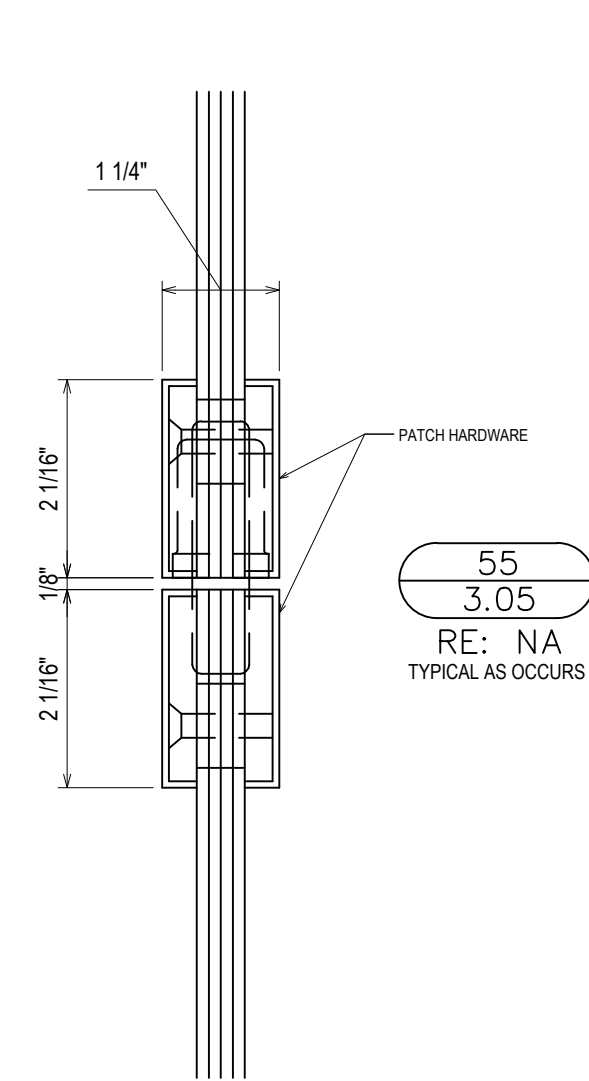
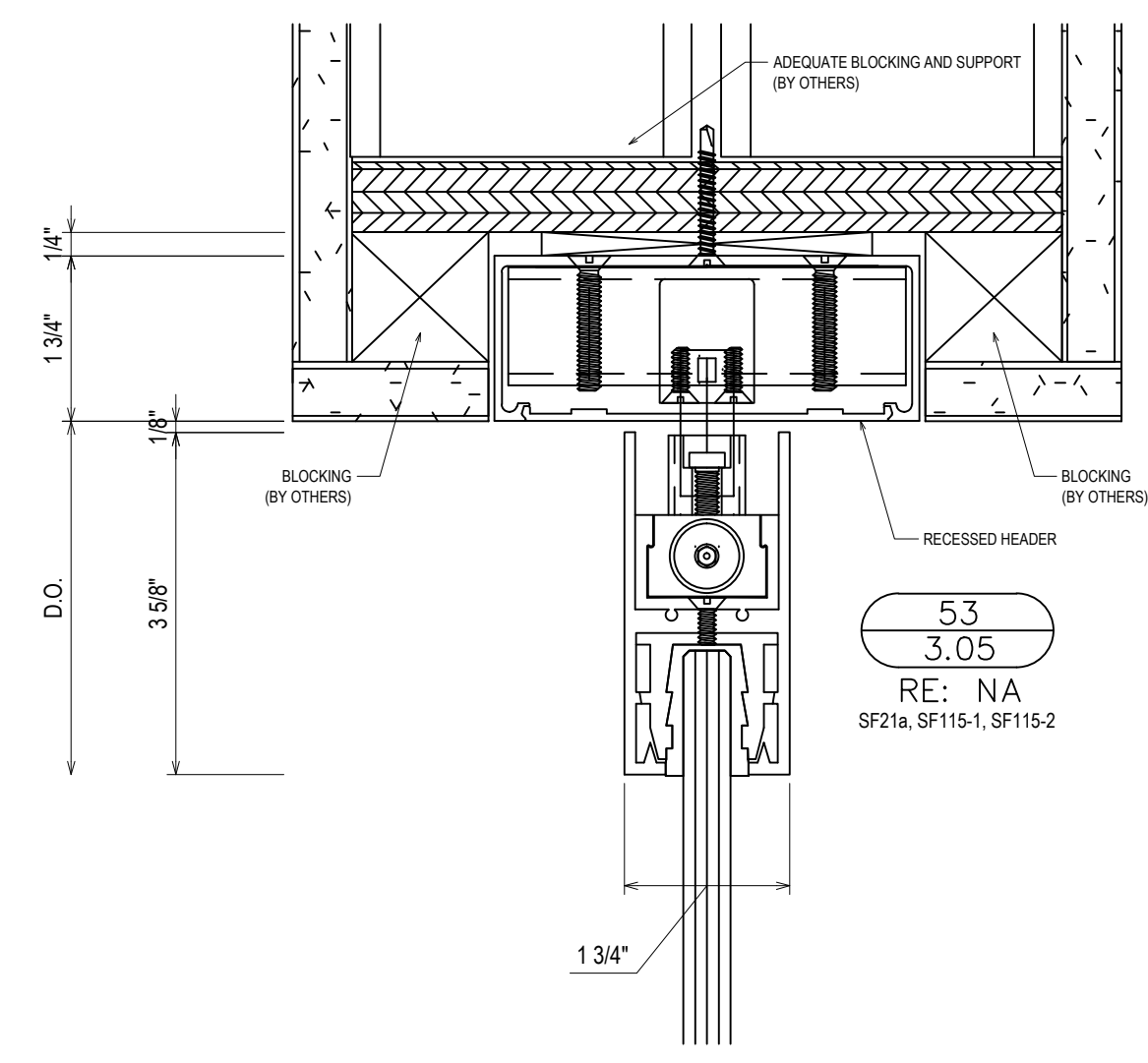
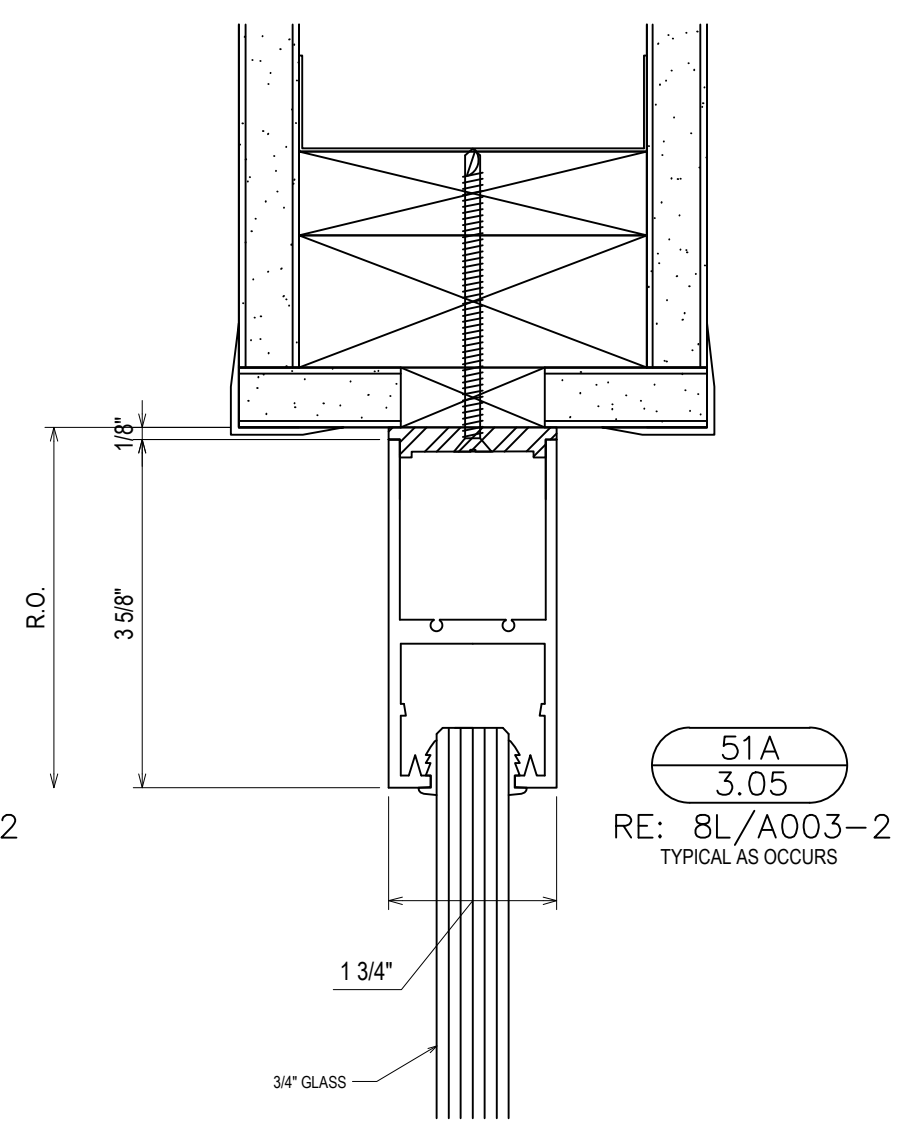
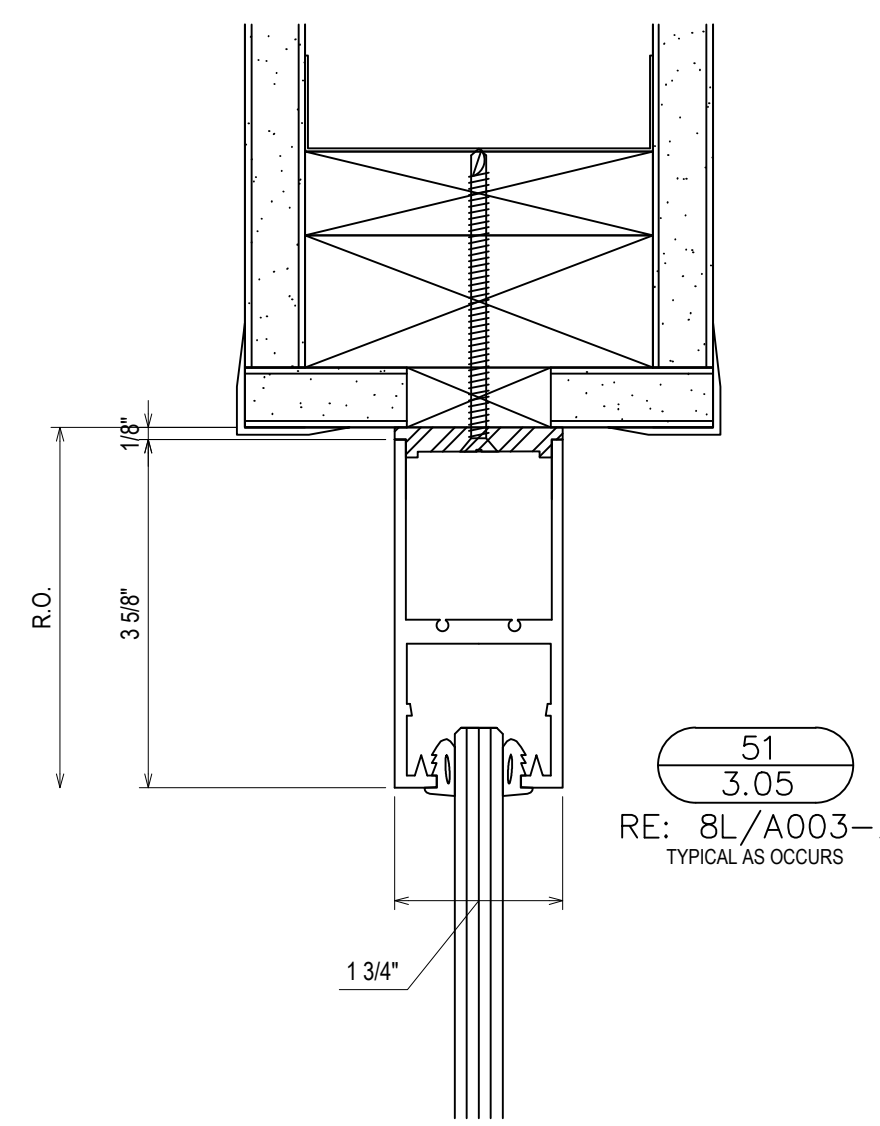
DATE	5/2/16
DESCRIPTION	1ST SUBMISSION
REV.	1ST REVISION

CLEMSON FOOTBALL OPERATIONS
(INTERIOR SUBMITTAL)
CLEMSON, SC



DRAWN BY	DATE
QC	5/2/16
APPROVED BY	DATE
CCV	5/2/16
SCALE	AS NOTED
FILE NO	

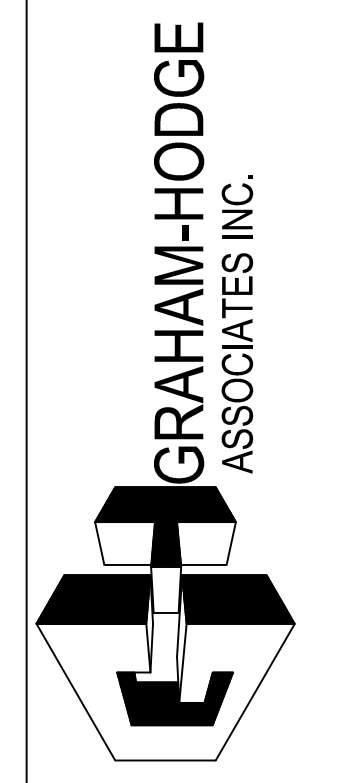
3.04



UNLESS NOTED OTHERWISE ALL GLASS DETAILS SHOW 1/2" GLASS

DATE	03/16
DESCRIPTION	1ST SUBMISSION
REV.	

CLEMSON FOOTBALL OPERATIONS
 (INTERIOR SUBMITTAL)
 CLEMSON, SC



DRAWN BY	DATE
QC	5/2/16
APPROVED BY	SITE
CCV	5/2/16
SCALE	AS NOTED
FILE NO	

3.05