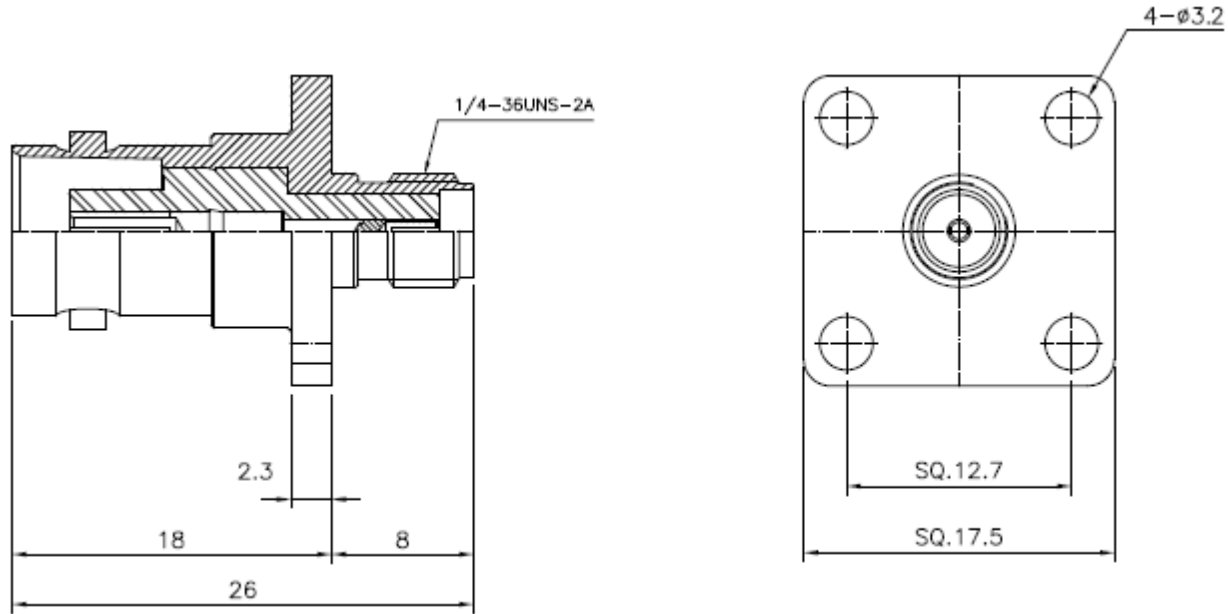


**SPECIFICATIONS:**

Impedance: 50 Ohm  
 Frequency: DC-4 GHz  
 VSWR: 1.20:1 Max @ 4 GHz  
 Operating temp. : -55°C - +155°C

**RoHS Compliant**

Part	Material	Plating
Body	Brass	Nickel
Center Contact	Beryllium Copper	Gold
Insulator	PTFE	---



Dimensions are in mm, for reference only, and are subject to change without notice.

**PRF**  
**Premier RF**  
 17 Roslyn CT  
 Patchogue, NY 11772  
 PH: 631-447-3804  
 sales@premierRF.com  
 www.premierRF.com

	<b>PART NUMBER</b>	<b>PRF-AD1F3F4</b>
02/12/2012	<b>DESCRIPTION</b>	<b>SMA FEMALE TO BNC FEMALE ADAPTER, 4 HOLE FLANGE</b>
APPROVED		
A. Ianacci		