

LED STREET LIGHTS

Product Description

The eLighting LED Arc-1 street light is the most reliable cost effective solution for upgrading traditional street and area lighting. Offering high level performance and optimal efficiency. This fixture is easy to install and provides high light output with uniform distribution. The optical lenses and LED's offer great efficiency both from illumination and energy saving.



3 YEAR WARRANTY **MADE IN SOUTH AFRICA**

FEATURES

370x130X50mm 50W

500x170X50mm 100W

4000K / 6000K

Efficacy 140lm/w

3 Year Warranty

Advanced Cooling

30000hrs

IK08

IP65

Made in South Africa

Construction & Installation

Designed for easy installation. The eLighting Arc-1 IP65 IK08 LED Street light offers rugged durability. The charcoal electrostatically sprayed aluminium housing heatsink assists with improved thermal management. Resulting in improved lumen maintenance and lamp longevity. The mounting socket caters for street pole diameter of up to 53mm

Electrical Specifications

eLighting LED Street lights operate on 100 ~ 277V AC. Utilising a premium quality electronic driver set offering reduced harmonic distortion below 15% and lighting which is free of flicker. 10KV surge protection is available.

Applications

The EL Street light is the ideal retrofit solution for roadways, estates, business parks, parking lots and pathways.

LED STREET LIGHTS

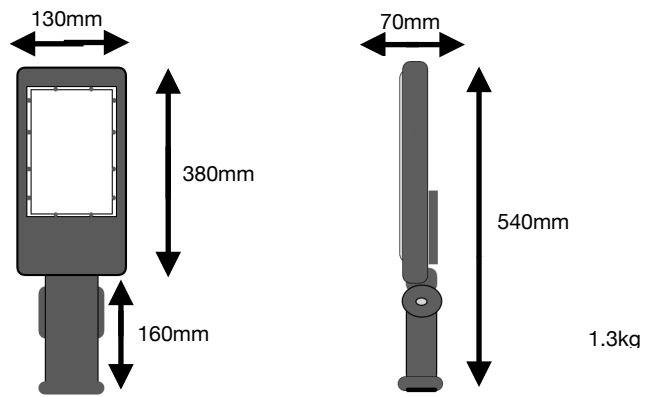
MODEL	RATED POWER	TOTAL LUMENS	CRI	SDCM	NET WEIGHT
EL50SL	50W	7000lm	80Ra	3	1.3KG
EL100SL	100W	14000lm	80Ra	3	2.3KG

FEATURES

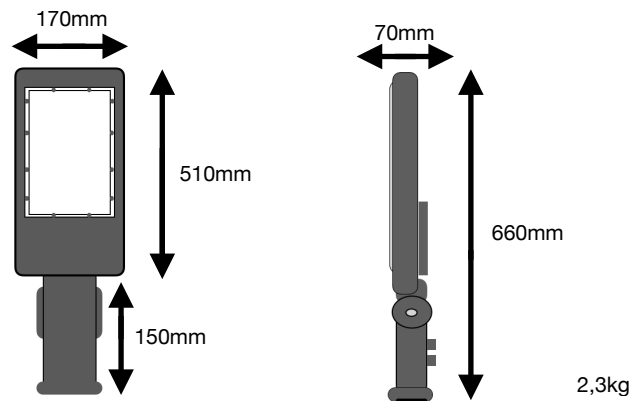
Performance Summary

Input Voltage	100V - 277V AC
Frequency	50 / 60 Hz
Rated Power	50W & 100W
Luminous Flux	7000lm & 1400lm
Efficacy	140lm/w
CRI	82Ra
Rated Life	30000hrs L70 B10
Power Factor	>0.95
THD	15%
Ingress Protection	IP65
Protection	Class II
Beam Angle	140°
Operating Temperature	-20°~ +50°

EL50SL - 50W



EL100SL - 100W



BENEFITS

Manufactured in South Africa

Quick & Easy Installation

High Lumen Output

Ultra Reliable & Hassle Free Maintenance

7 Step Quality Assurance

Best in Class energy savings

