

PARTIAL MAIN FLOOR PLAN- MECHANICAL DEMOLITION
SCALE: 3/8" = 1'-0"

SCOPE OF WORK

DEMOLITION

1. PURGE, CLEAN, DECOMMISSION, AND REMOVE EX'G 1135L SUPPLY TANK C/W ALL APPURTENANCES. THE DECOMMISSIONED TANK IS TO BE REMOVED AND DISPOSED OF AT A LICENSED FACILITY. PROVIDE DOCUMENTATION FROM RECYCLING FACILITY AND TURN OVER TO OWNER.
2. REMOVE EXISTING STEEL SECONDARY CONTAINMENT TUB AND CONCRETE SECONDARY CONTAINMENT DYKE IN ITS ENTIRETY. GRIND EXISTING CONCRETE SURFACES SMOOTH. PRIME & PAINT TO MATCH EXISTING SURFACES.
3. PURGE, CLEAN, & REMOVE ALL EX'G FUEL OIL SUPPLY PIPING, TUBING, VALVES, AND ALL APPURTENANCES IN THEIR ENTIRETY.
4. PURGE, CLEAN, AND REMOVE EX'G TANK FILL AND VENT LINE IN THEIR ENTIRETY. PATCH EXISTING HOLES IN BUILDING FACADE AND MAKE WEATHERTIGHT.
5. PATCH/REPAIR ALL OPENINGS REMAINING AFTER THE REMOVAL OF THE FUEL SUPPLY PIPING/TUBING TO THE GENERATOR. GAP BOTH ENDS OF EXISTING CONDUIT THAT RUNS INSIDE THE FLOOR SLAB, AFTER REMOVAL OF FUEL OIL TUBING.
6. DISCONNECT AND REMOVE COOLING WATER PIPING FROM THE GENERATOR. DISCONNECT AND REMOVE COOLING WATER DRAIN PIPING FROM GENERATOR TO FLOOR DRAIN.
7. DISCONNECT EX'G COMBUSTION AIR DAMPER MOTORS AND LEAVE DAMPERS IN THE CLOSED POSITION.
8. DISCONNECT, PURGE, CLEAN, AND REMOVE EXISTING 1.25 MW GENERATOR AND SUPPORT SKID. CUT OFF EXISTING ANCHOR BOLTS FLUSH WITH TOP OF CONCRETE PAD.
9. REMOVE EX'G EXHAUST SILENCER, EXHAUST PIPING AND ASSOCIATED HANGERS. PATCH OPENING AT EXTERIOR WALL TO MAKE WEATHERTIGHT.
10. REMOVE EXISTING BATTERIES AND DISPOSE OF AT A LICENSED FACILITY. PROVIDE DOCUMENTATION FROM RECYCLING FACILITY AND TURN OVER TO OWNER.

No.	Revision	Date	Initial
0	ISSUED FOR TENDER	Mar 7/25	DS

Notes:
 1. CONTRACTOR SHALL BE RESPONSIBLE FOR CHECKING DIMENSIONS AND EXISTING CONDITIONS AT THE OUTSET OF CONSTRUCTION. REPORT ANY DISCREPANCIES TO THE ENGINEER. DO NOT PROCEED WITHOUT FURTHER WRITTEN DIRECTION FROM THE ENGINEER.
 2. DRAWING SHOWS GENERAL ARRANGEMENT ONLY. DO NOT SCALE.

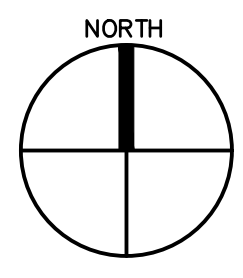
Approved	Approved
----------	----------

TBT ENGINEERING CONSULTING GROUP
 Thunder Bay Phone: (807) 624-5160
 E-mail: info@tbt.ca

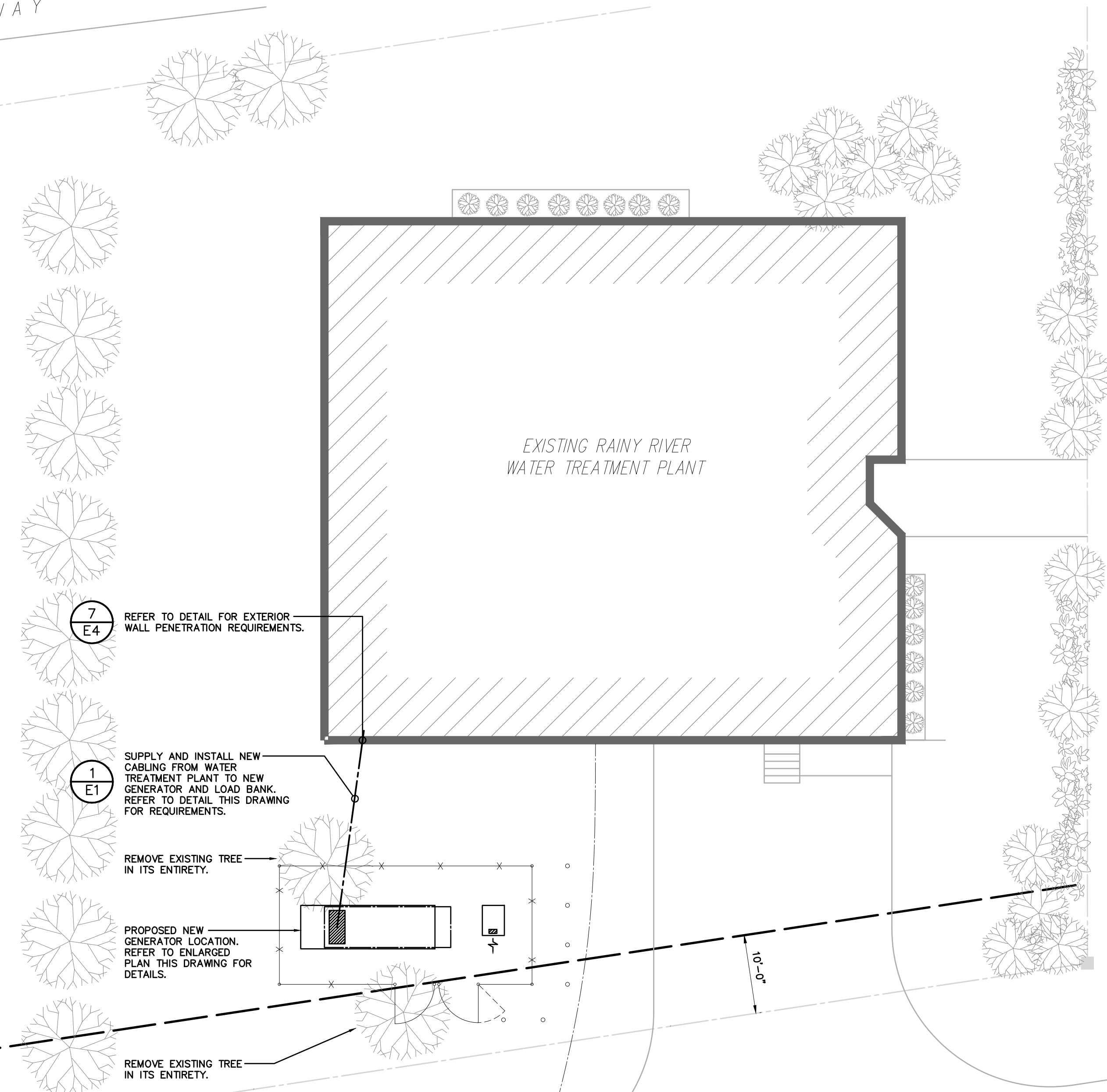
WATER TREATMENT PLANT IMPROVEMENTS
 Rainy River Ontario

MECHANICAL
 PARTIAL MAIN FLOOR PLAN
 MECHANICAL DEMOLITION

Scale: 3/8"=1'-0"	Drawn By: MJV Ckd. By: DS Dwg. No.: 21-206-M1	Date: MAR 2025 Rev. 0
----------------------	---	-----------------------------



UNNAMED LANEWAY



DENOTES OUTLINE OF FUEL TANK BOUNDARY (TYP.)

REFER TO DETAIL FOR EXTERIOR WALL PENETRATION REQUIREMENTS.

SUPPLY AND INSTALL NEW CABLING FROM WATER TREATMENT PLANT TO NEW GENERATOR AND LOAD BANK. REFER TO DETAIL THIS DRAWING FOR REQUIREMENTS.

REMOVE EXISTING TREE IN ITS ENTIRETY.

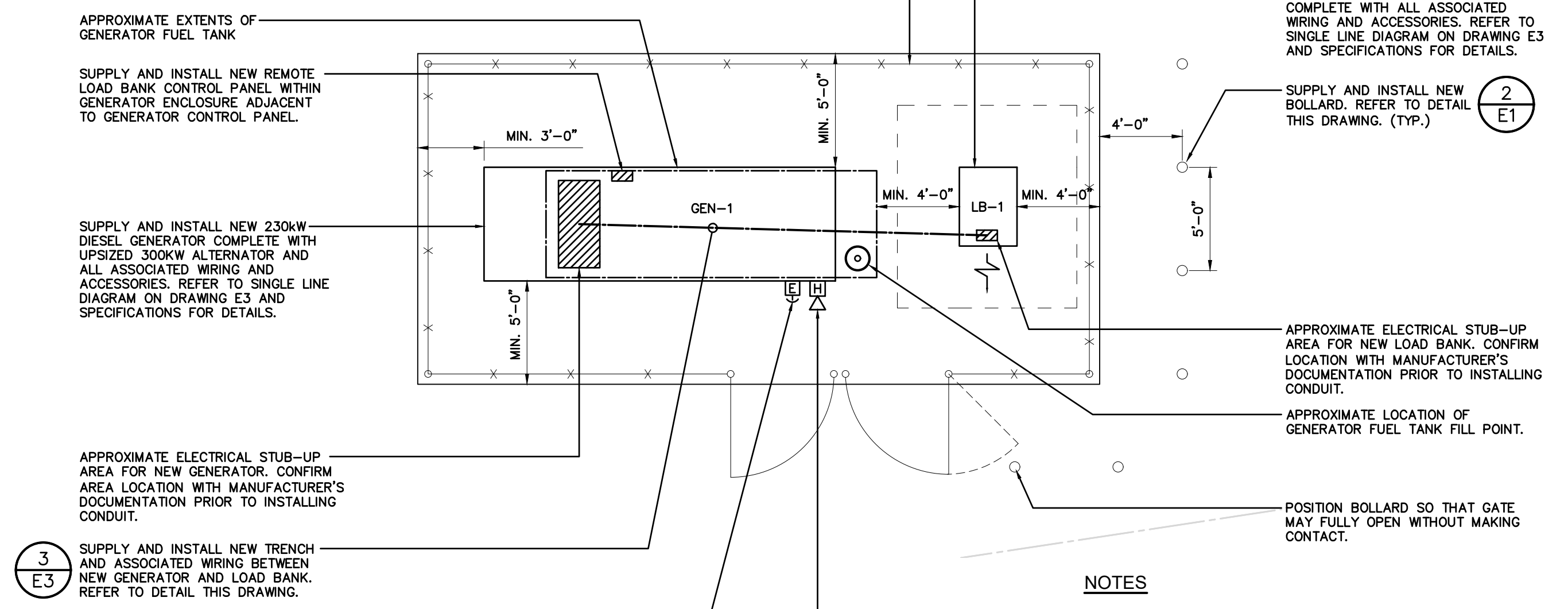
PROPOSED NEW GENERATOR LOCATION. REFER TO ENLARGED PLAN THIS DRAWING FOR DETAILS.

REMOVE EXISTING TREE IN ITS ENTIRETY.

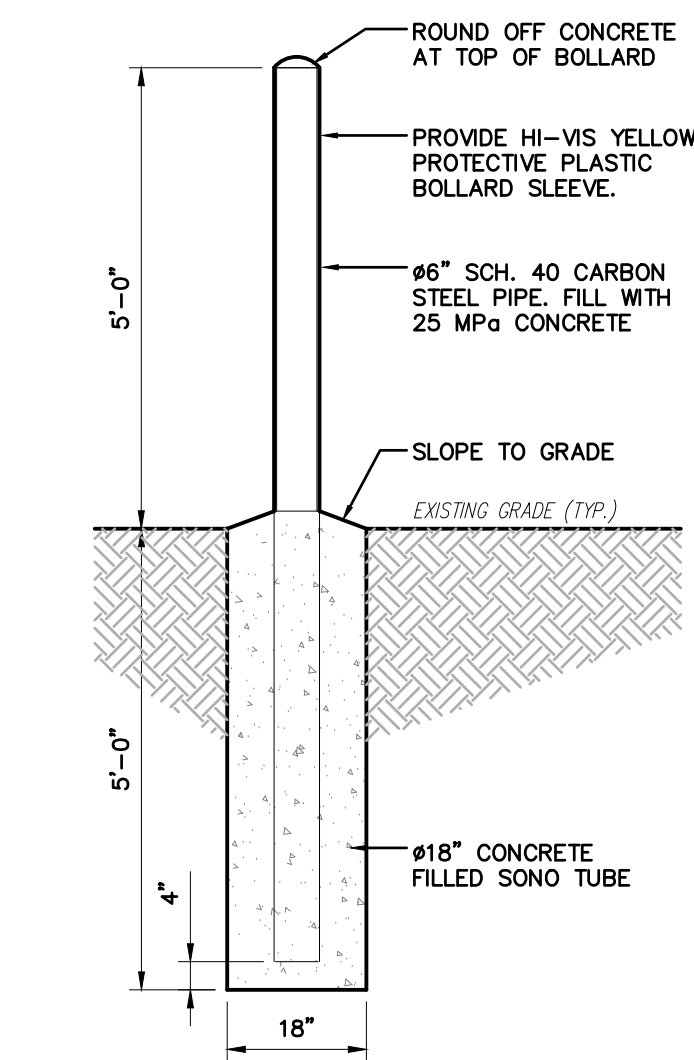
APPROXIMATE LOCATION OF EXISTING UNDERGROUND POWER FEED. SEE NOTE 5.

DENOTES EXISTING HYDRO POLE COMPLETE WITH 3-UTILITY TRANSFORMER TO REMAIN.

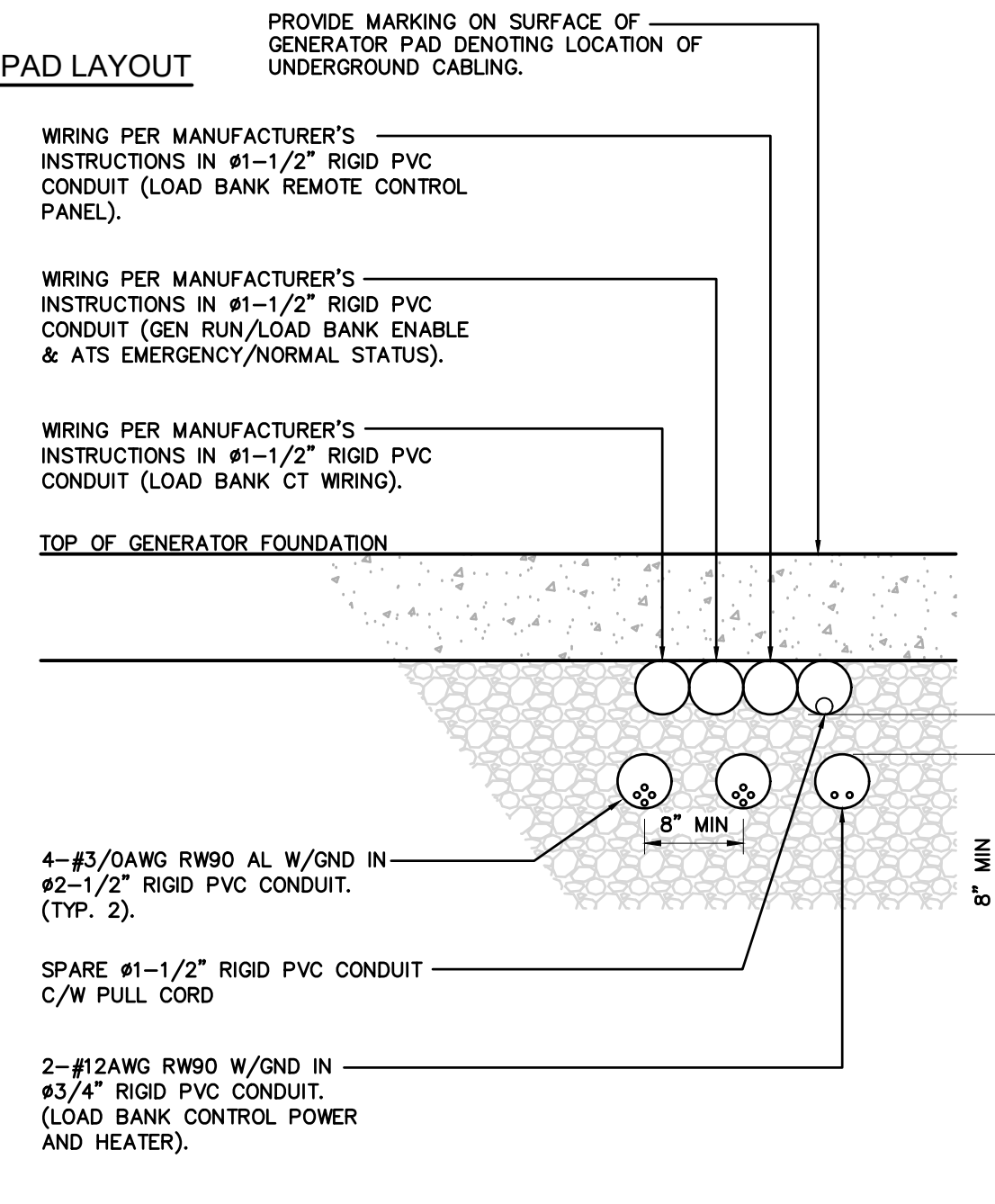
SITE PLAN - ELECTRICAL REQUIREMENTS
SCALE: 3/32"=1'-0"



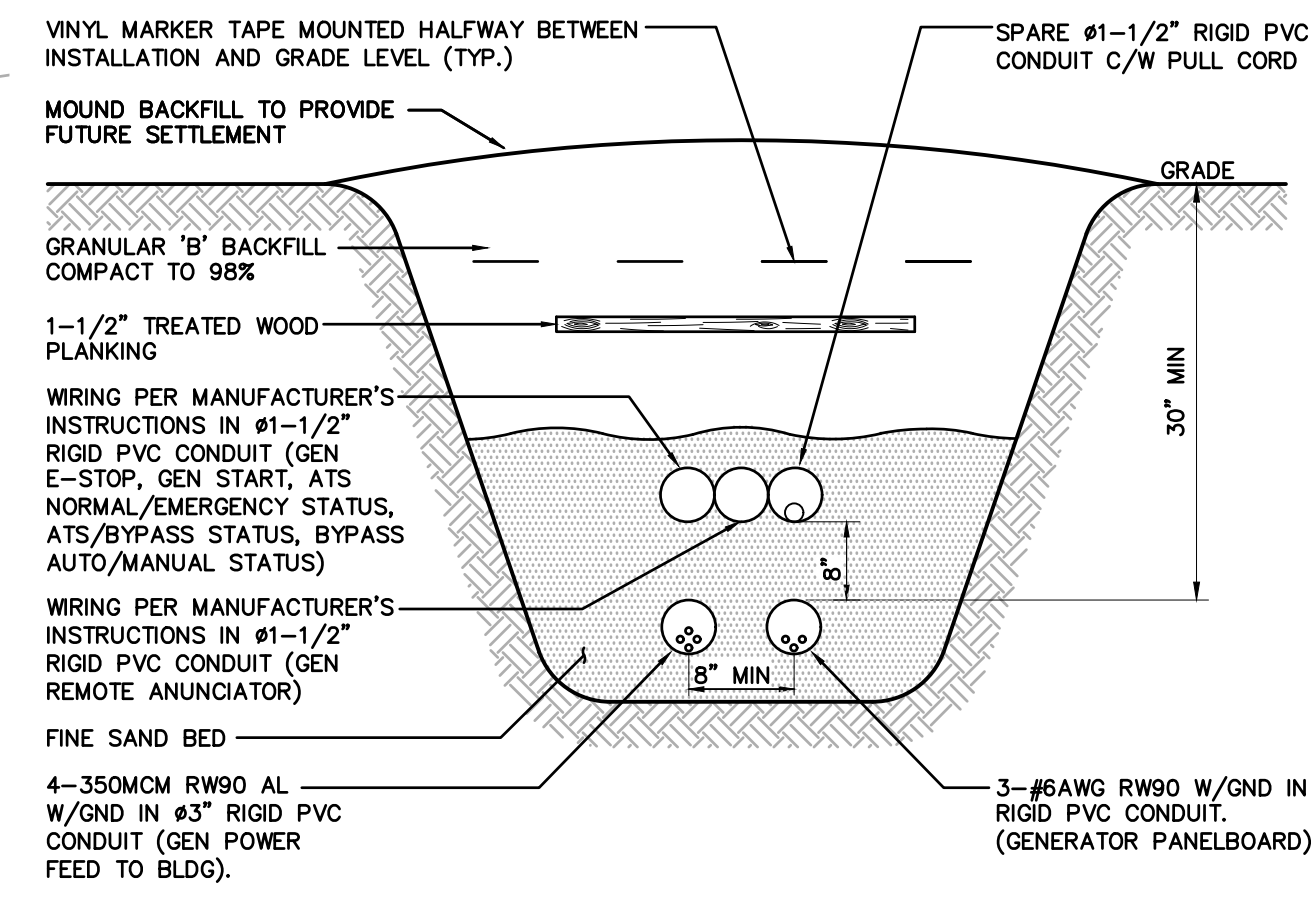
ENLARGED PLAN - GENERATOR PAD LAYOUT
SCALE: 1/16"=1'-0"



2 DETAIL - BOLLARD
SCALE: N.T.S.



3 TRENCH DETAIL - GENERATOR TO LOAD BANK
SCALE: N.T.S.



1 TRENCH DETAIL - BUILDING TO GENERATOR
SCALE: N.T.S.

GENERATOR PAD LAYOUT AND ENCLOSURE SIZE HAVE BEEN DESIGNED USING PRELIMINARY INFORMATION. CONTRACTOR IS TO CONFIRM ALL DIMENSIONS AND CLEARANCE REQUIREMENTS WITH THEIR CHOSEN MANUFACTURERS PRIOR TO CONSTRUCTION. CONTRACTOR IS TO CARRY ANY COST ASSOCIATED WITH MODIFYING THE GENERATOR PAD LAYOUT AND ENCLOSURE SIZE IN THEIR CONTRACT PRICE. CONTRACTOR IS TO SUBMIT ANY CHANGES TO THE GENERATOR LAYOUT AND ENCLOSURE TO THE ENGINEER FOR APPROVAL PRIOR TO CONSTRUCTION.

UNDERGROUND ELECTRICAL & MECHANICAL SERVICES EXIST ON THE PROPERTY. CONTRACTOR TO PERFORM A LOCATE TO MAKE THEMSELVES AWARE OF THEIR LOCATION AND TAKE CARE WHEN EXCAVATING IN THEIR VICINITY.

ELECTRICAL DRAWINGS TO BE READ IN CONJUNCTION WITH MECHANICAL DRAWINGS, AND MANUFACTURER PROVIDED SHOP DRAWINGS

- NOTES**
- LOAD BANK CONTROL WIRING BY CONTRACTOR TO INCLUDE THE FOLLOWING. WIRING SIZE AND TYPE AS PER MANUFACTURER'S INSTRUCTIONS AND RECOMMENDATIONS.
 - A. LOAD BANK CONTROL PANEL WIRING
 - B. LOAD BANK CT WIRING
 - C. GENERATOR RUN/LOAD BANK ENABLE CONTACT WIRING
 - D. ATS EMERGENCY/NORMAL STATUS CONTACT WIRING
 - GENERATOR CONTROL WIRING BY CONTRACTOR TO INCLUDE THE FOLLOWING. WIRING SIZE AND TYPE AS PER MANUFACTURER'S INSTRUCTIONS AND RECOMMENDATIONS.
 - A. ATS REMOTE START CONTACT WIRING
 - B. REMOTE EMERGENCY STOP WIRING
 - C. REMOTE ANNUNCIATOR WIRING
 - ATS CONTROL WIRING BY CONTRACTOR TO INCLUDE THE FOLLOWING. WIRING SIZE AND TYPE AS PER MANUFACTURER'S INSTRUCTIONS AND RECOMMENDATIONS.
 - A. AUTO-DIALER CONTACT WIRING
 - CONTRACTOR IS TO SUPPLY AND INSTALL ANY ADDITIONAL CONTROL WIRING TO THE ABOVE AS PER LOAD BANK, GENERATOR AND ATS MANUFACTURER'S INSTRUCTIONS AND RECOMMENDATIONS.
 - CONTRACTOR IS TO OBTAIN LOCATES PRIOR TO CONSTRUCTION. MODIFY GENERATOR FOUNDATION LOCATION AS REQUIRED SO THAT THE FOUNDATION AND BOLLARDS DO NOT CONFLICT WITH EXISTING UNDERGROUND ELECTRICAL SERVICE.

No.	Revision	Date	Initial
0	ISSUED FOR TENDER	MAR. 07/25	JK
A	ISSUED FOR PRELIMINARY REVIEW	JUL. 14/23	JK

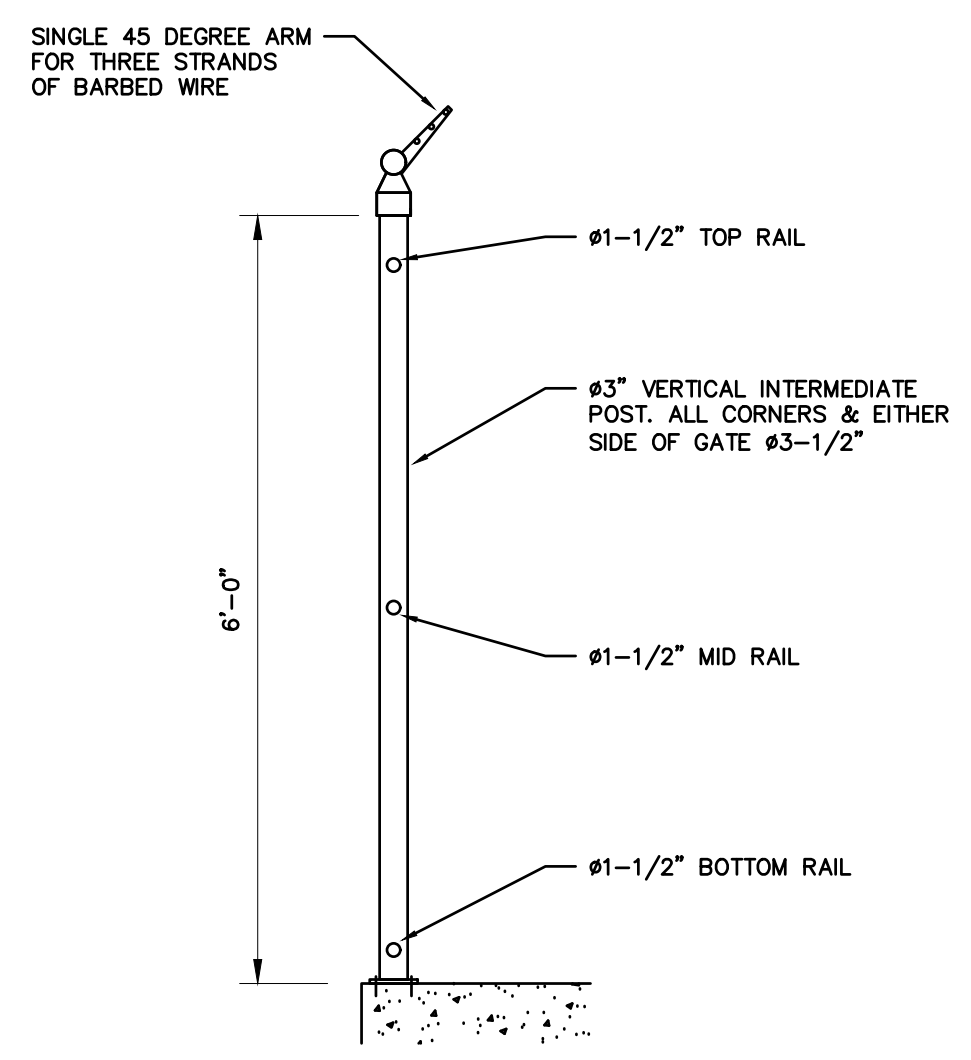
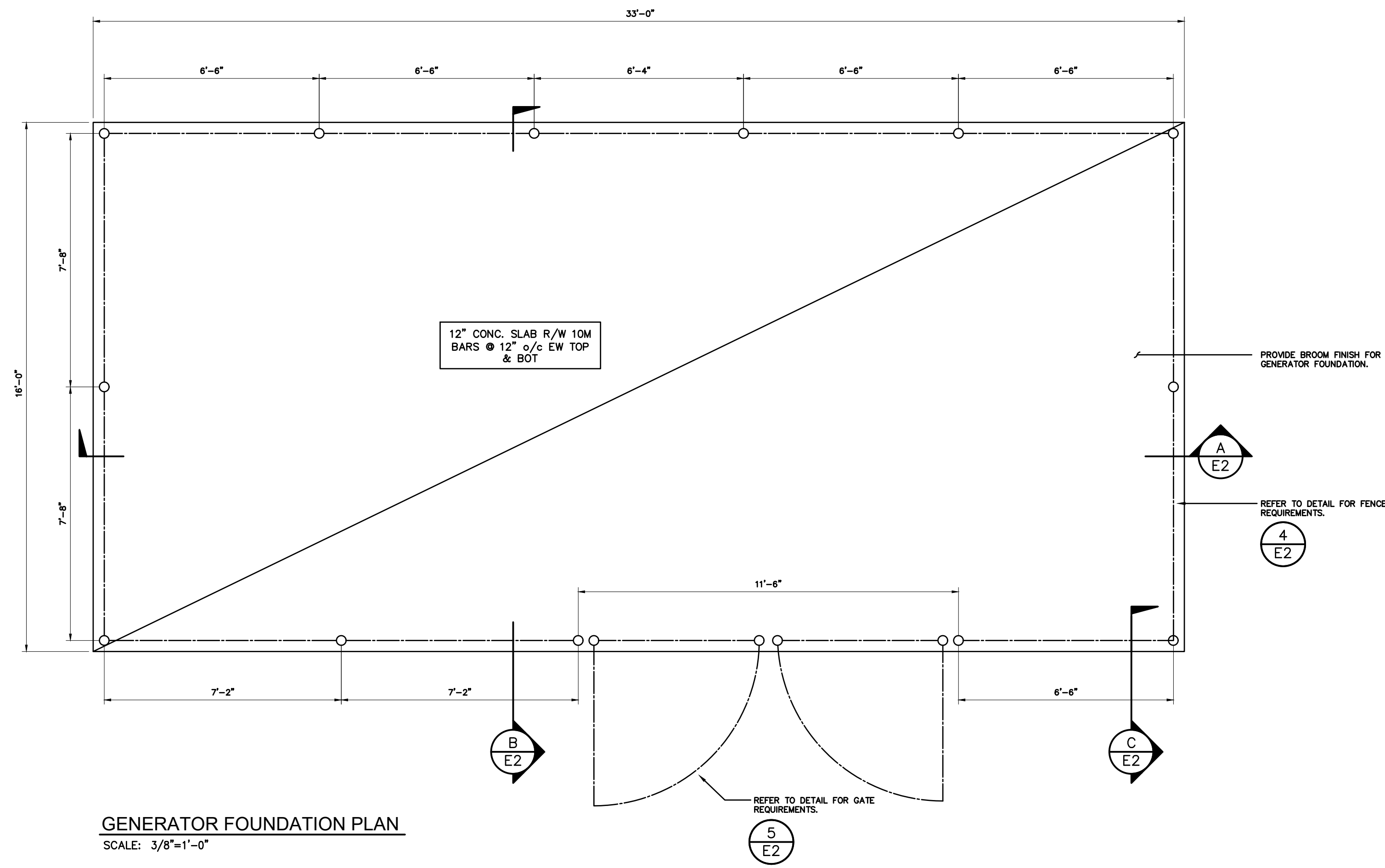
Notes:

- CONTRACTOR SHALL BE RESPONSIBLE FOR CHECKING DIMENSIONS AND EXISTING CONDITIONS AT THE OUTSET OF CONSTRUCTION. REPORT ANY DISCREPANCIES TO THE ENGINEER. DO NOT PROCEED WITHOUT FURTHER WRITTEN DIRECTION FROM THE ENGINEER.
- DRAWING SHOWS GENERAL ARRANGEMENT ONLY. DO NOT SCALE.

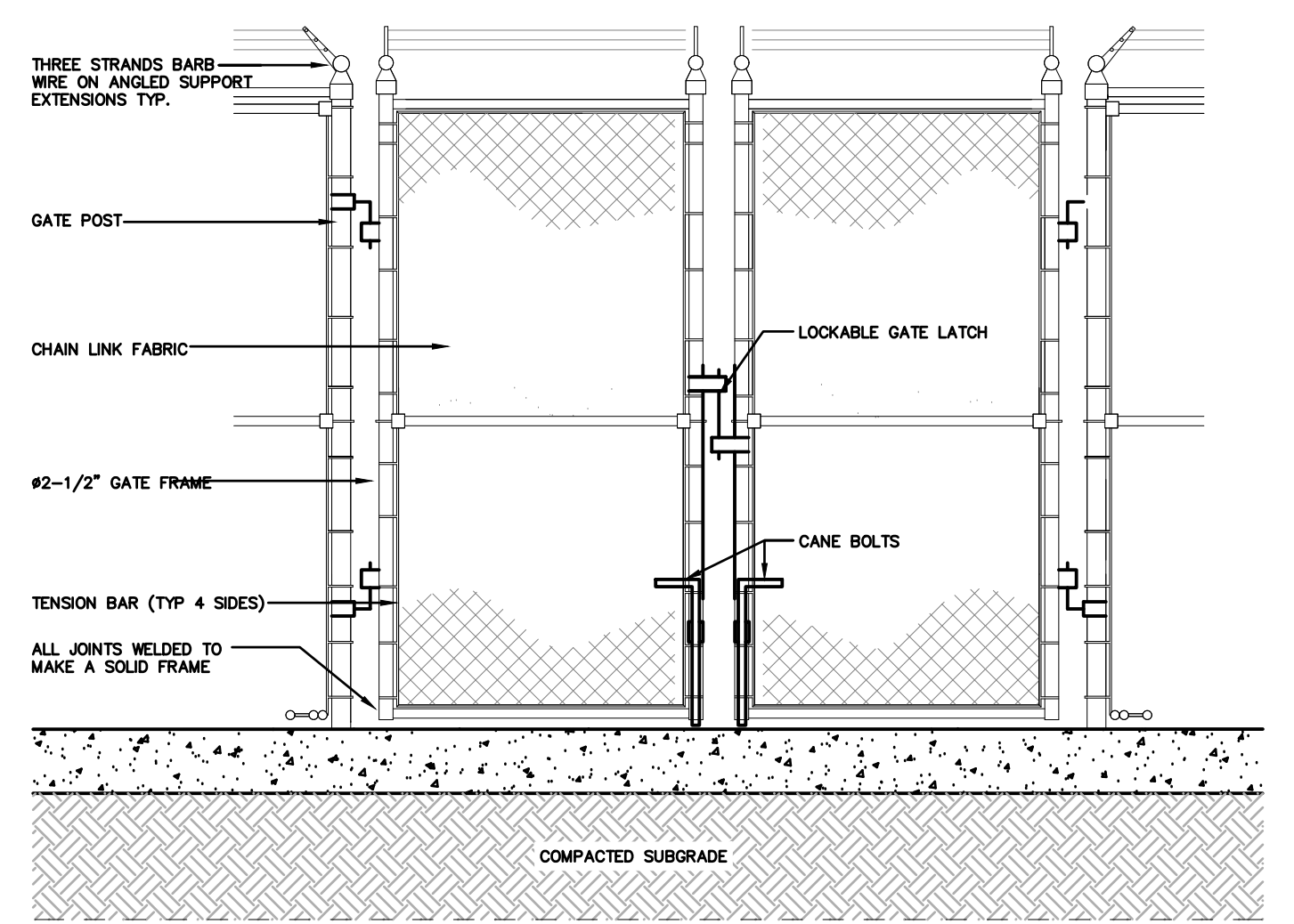
Approved	Approved
----------	----------

TBT ENGINEERING CONSULTING GROUP
Thunder Bay Phone: (807) 624-5160
E-mail: info@tbt.ca

WATER TREATMENT PLANT IMPROVEMENTS			
Rainy River		Ontario	
ELECTRICAL SITE PLAN GENERATOR LAYOUT TRENCH DETAILS			
Scale: AS NOTED	Drawn By: SN/IP Ckd. By: JK	Date: MARCH 2025	Rev. 0
Dwg. No.: 21-206-E1			



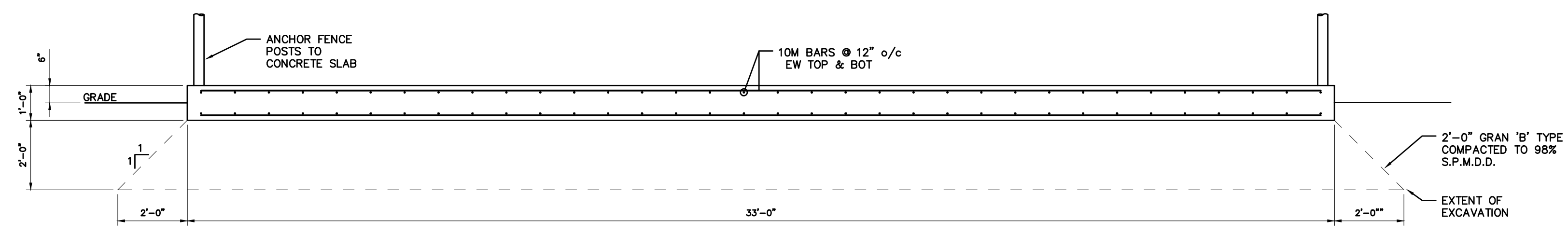
C
E2
GENERATOR FOUNDATION SECTION
SCALE: 1/2"=1'-0"



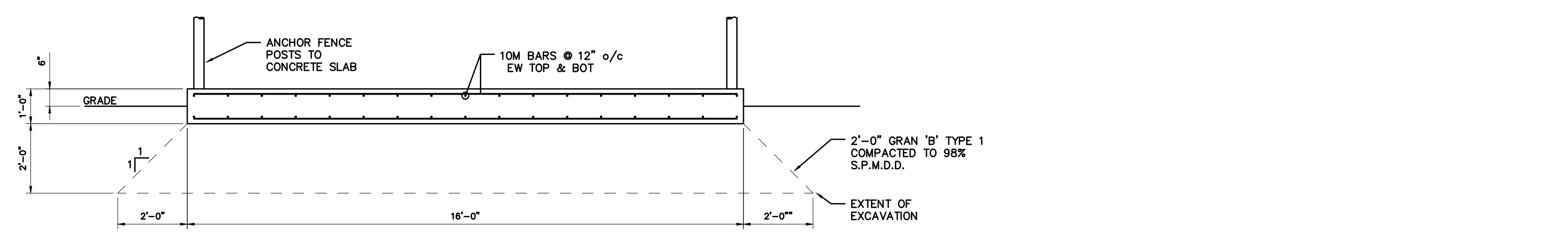
5
E2
GATE DETAIL
SCALE: 3/8"=1'-0"

GENERATOR PAD LAYOUT AND ENCLOSURE SIZE HAVE BEEN DESIGNED USING PRELIMINARY INFORMATION. CONTRACTOR IS TO CONFIRM ALL DIMENSIONS AND CLEARANCE REQUIREMENTS WITH THEIR CHOSEN MANUFACTURERS PRIOR TO CONSTRUCTION. CONTRACTOR IS TO CARRY ANY COST ASSOCIATED WITH MODIFYING THE GENERATOR PAD LAYOUT AND ENCLOSURE SIZE IN THEIR CONTRACT PRICE. CONTRACTOR IS TO SUBMIT ANY CHANGES TO THE GENERATOR LAYOUT AND ENCLOSURE TO THE ENGINEER FOR APPROVAL PRIOR TO CONSTRUCTION.

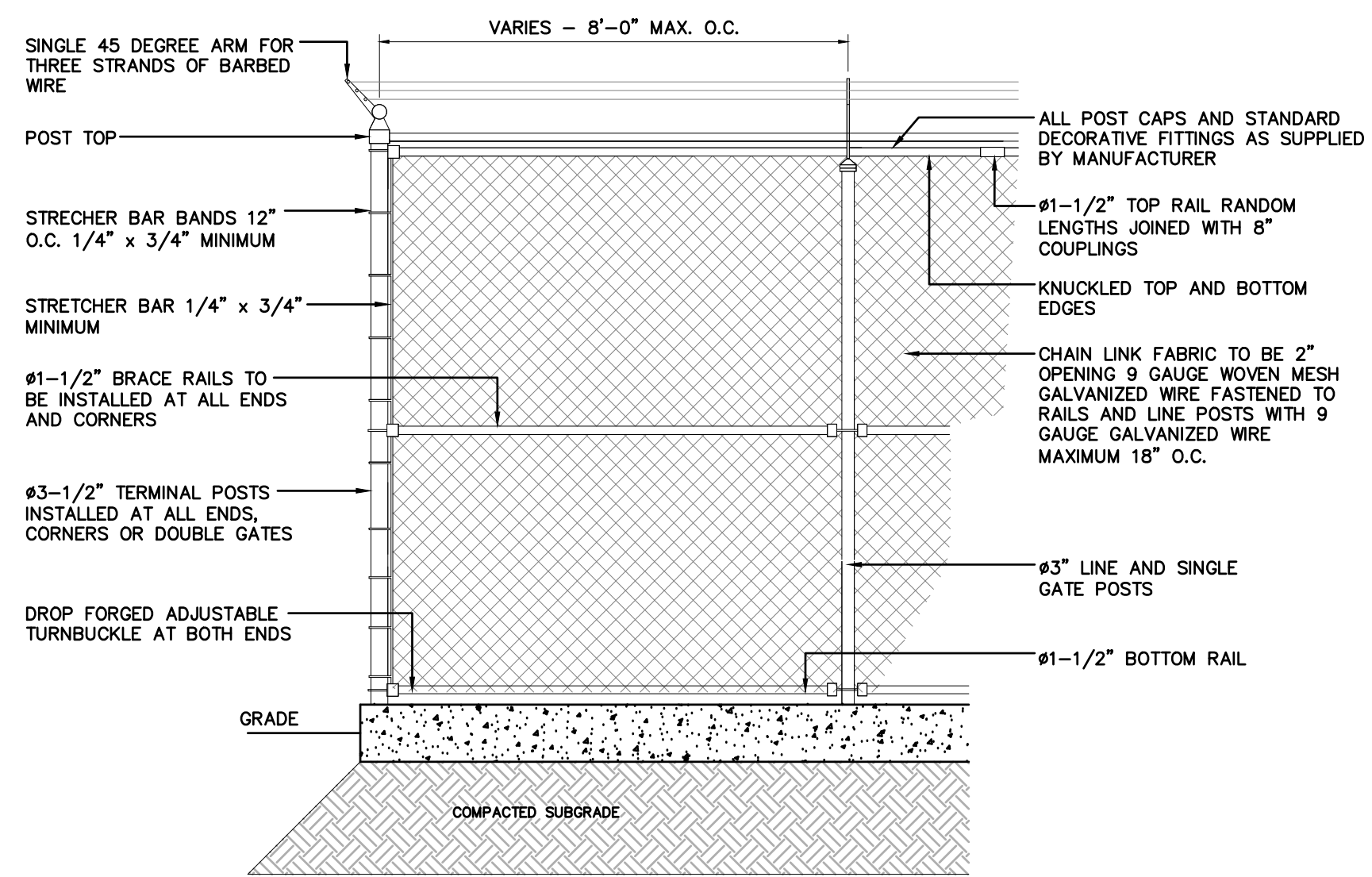
ELECTRICAL DRAWINGS TO BE READ IN CONJUNCTION WITH MECHANICAL DRAWINGS, AND MANUFACTURER PROVIDED SHOP DRAWINGS



A
E2
GENERATOR FOUNDATION SECTION
SCALE: 3/8"=1'-0"



B
E2
GENERATOR FOUNDATION SECTION
SCALE: 3/8"=1'-0"



4
E2
TYPICAL FENCE DETAIL
SCALE: 3/8"=1'-0"

No.	Revision	Date	Initial
0	ISSUED FOR TENDER	MAR. 07/25	JK
A	ISSUED FOR PRELIMINARY REVIEW	JUL. 14/23	JK

Notes:
1. CONTRACTOR SHALL BE RESPONSIBLE FOR CHECKING DIMENSIONS AND EXISTING CONDITIONS AT THE OUTSET OF CONSTRUCTION. REPORT ANY DISCREPANCIES TO THE ENGINEER. DO NOT PROCEED WITHOUT FURTHER WRITTEN DIRECTION FROM THE ENGINEER.
2. DRAWING SHOWS GENERAL ARRANGEMENT ONLY. DO NOT SCALE.

Approved _____ Approved _____

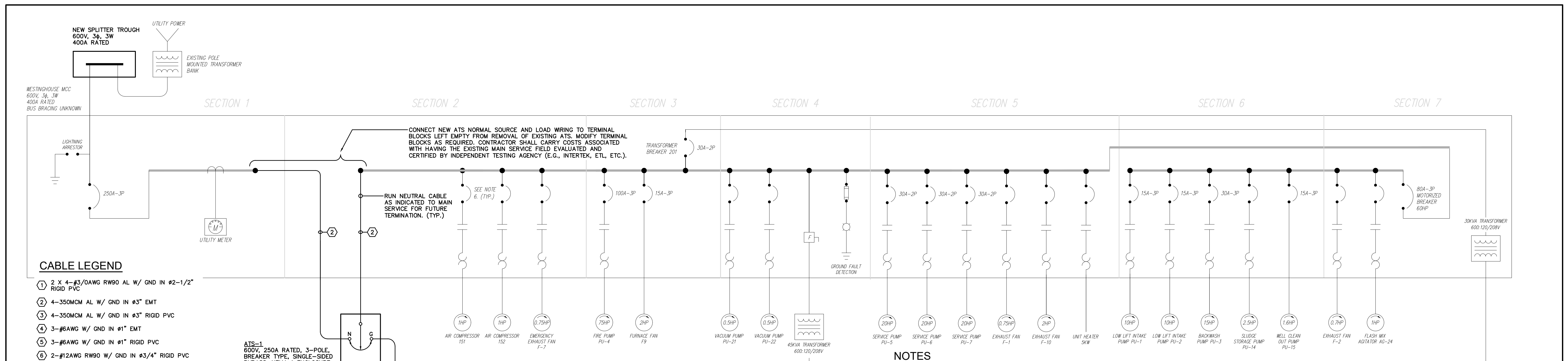
TBT ENGINEERING CONSULTING GROUP
Thunder Bay Phone: (807) 624-5160
E-mail: info@tbt.ca

WATER TREATMENT PLANT IMPROVEMENTS
Rainy River Ontario

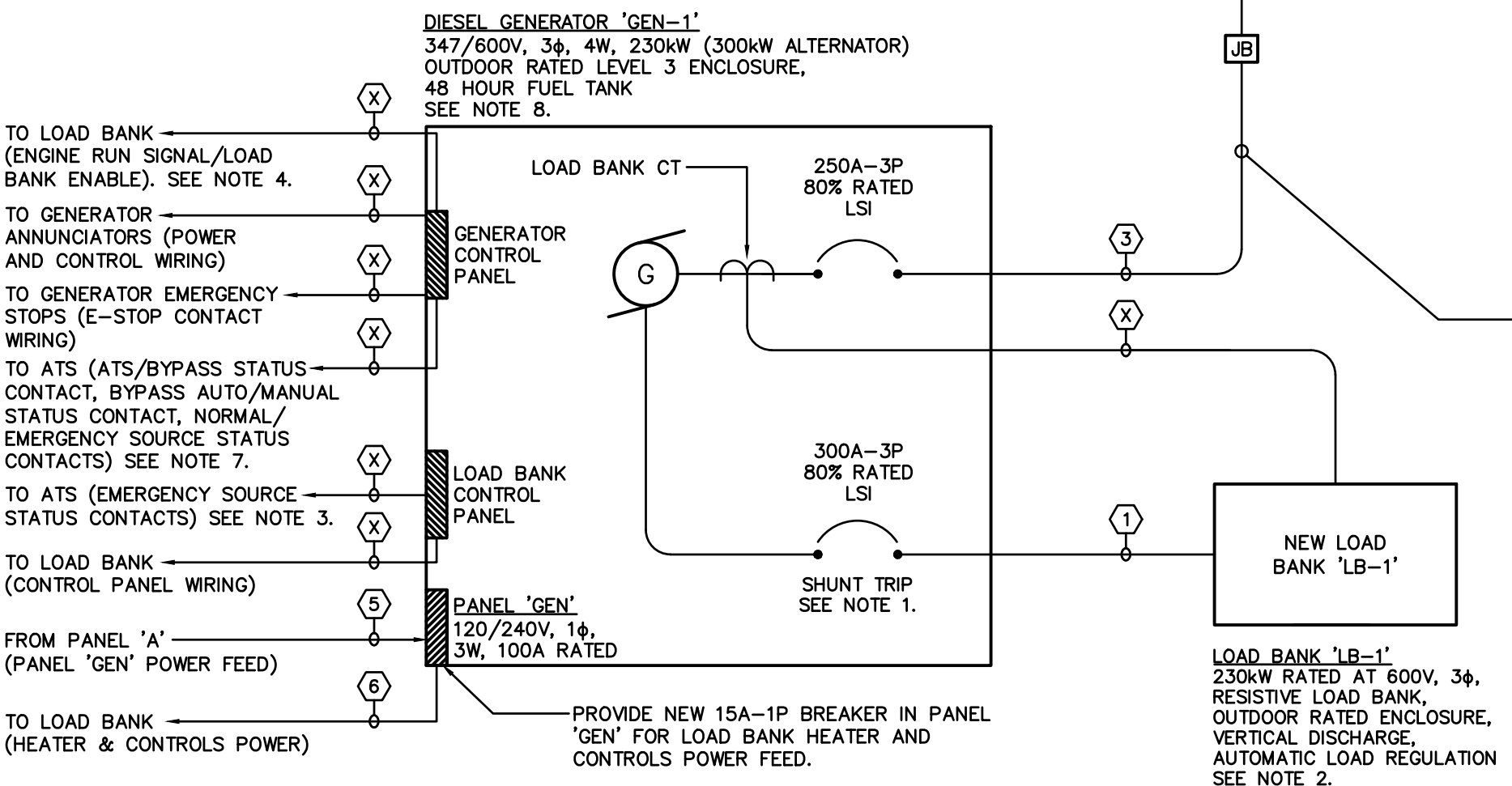
ELECTRICAL

GENERATOR FOUNDATION REQUIREMENTS

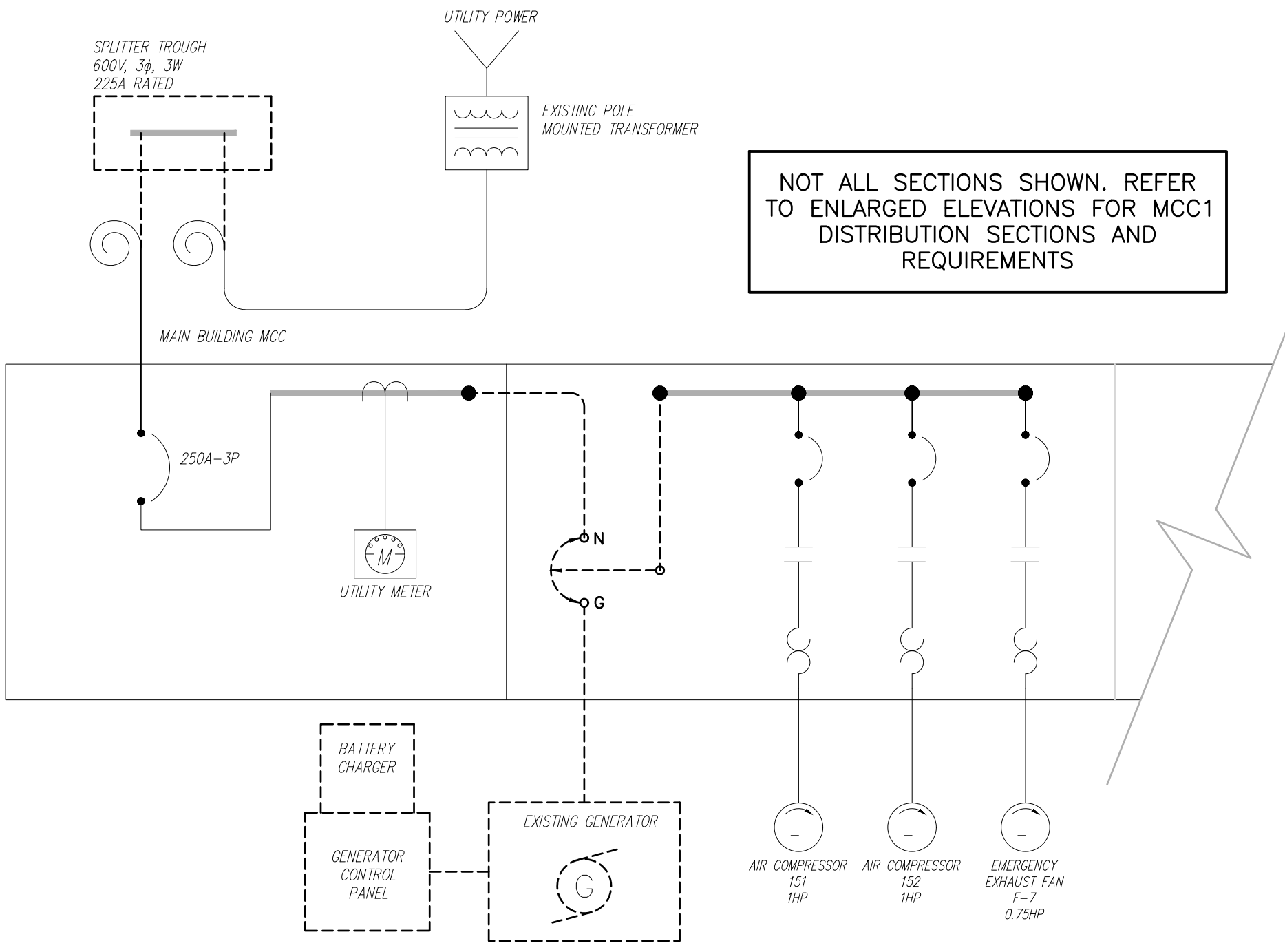
Scale: AS NOTED	Drawn By: SN/IP Ckd. By: EK Dwg. No.: 21-206-E2	Date: MARCH 2025 Rev. 0
--------------------	---	-------------------------------



- CABLE LEGEND**
- ① 2 X 4-#3/0AWG RWG AL W/ GND IN #2-1/2" RIGID PVC
 - ② 4-350MCM AL W/ GND IN #3" EMT
 - ③ 4-350MCM AL W/ GND IN #3" RIGID PVC
 - ④ 3-#6AWG W/ GND IN #1" EMT
 - ⑤ 3-#6AWG W/ GND IN #1" RIGID PVC
 - ⑥ 2-#12AWG RWG W/ GND IN #3/4" RIGID PVC
- WIRING PER MANUFACTURER'S INSTRUCTIONS AND RECOMMENDATIONS. REFER TO TRENCH DETAILS ON DRAWING E1 FOR CONDUIT REQUIREMENTS.



SINGLE LINE DIAGRAM - RENOVATION REQUIREMENTS
SCALE: N.T.S.



SINGLE LINE DIAGRAM - DEMOLITION REQUIREMENTS
SCALE: N.T.S.

CONNECT NEW ATS NORMAL SOURCE AND LOAD WIRING TO TERMINAL BLOCKS LEFT EMPTY FROM REMOVAL OF EXISTING ATS. MODIFY TERMINAL BLOCKS AS REQUIRED. CONTRACTOR SHALL CARRY COSTS ASSOCIATED WITH HAVING THE EXISTING MAIN SERVICE FIELD EVALUATED AND CERTIFIED BY INDEPENDENT TESTING AGENCY (E.G., INTERTEK, ETL, ETC.).

RUN NEUTRAL CABLE AS INDICATED TO MAIN SERVICE FOR FUTURE TERMINATION. (TYP.)

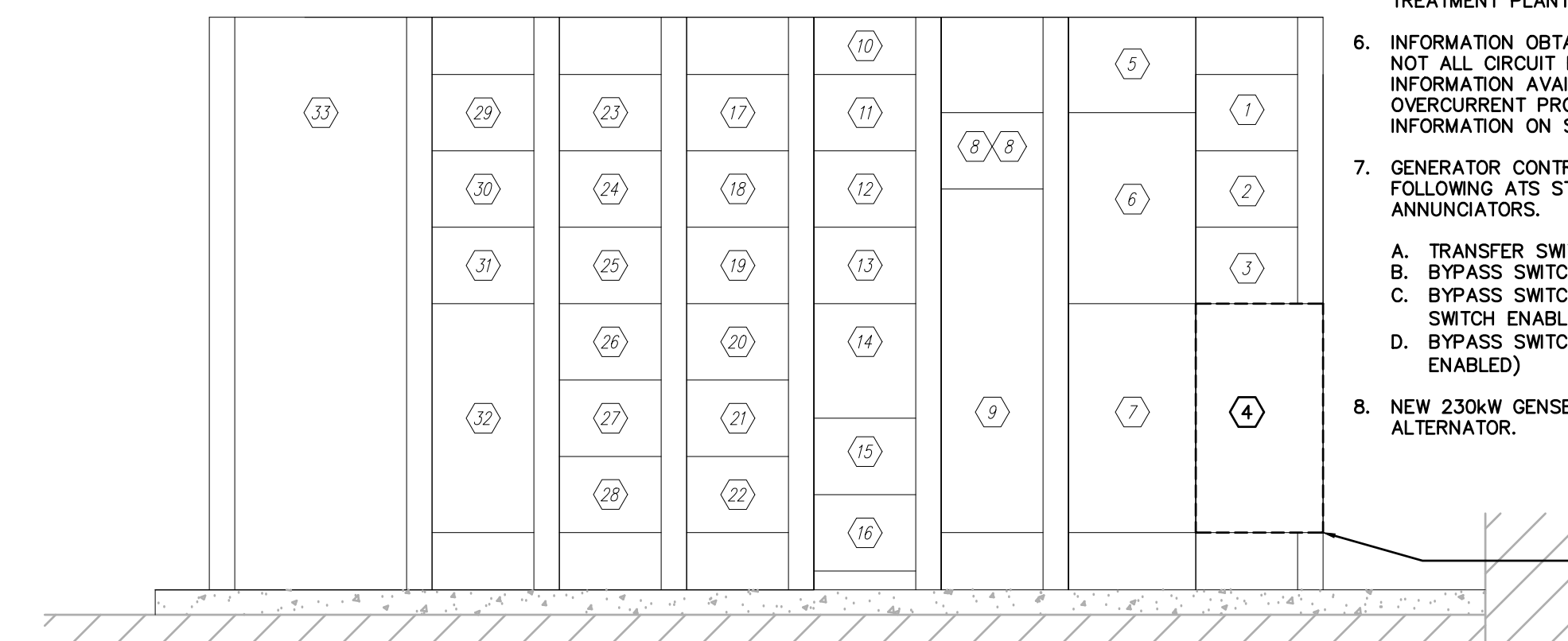
GENERATOR POWER AND CONTROL WIRING CONNECTIONS BY THE CONTRACTOR HAVE BEEN DESIGNED USING PRELIMINARY INFORMATION. CONTRACTOR IS TO CONFIRM ALL REQUIRED WIRING CONNECTIONS WITH THEIR CHOSEN EQUIPMENT MANUFACTURER PRIOR TO CONSTRUCTION. CONTRACTOR IS TO CARRY ANY COST ASSOCIATED WITH MODIFICATIONS TO THE GENERATOR WIRING REQUIREMENTS IN THEIR CONTRACT PRICE.

GENERATOR NEUTRAL TO REMAIN FLOATING, RUN NEUTRAL CABLE AS INDICATED, SECURE AND CAP ENDS. COIL SUFFICIENT LENGTH OF CABLE IN EACH ENCLOSURE FOR FUTURE TERMINATION.

- NOTES**
- THE SHUNT TRIP IS TO OPEN THE LOAD BANK BREAKER IN THE EVENT THAT EMERGENCY POWER IS REQUIRED DURING GENERATOR LOAD TESTING. THE GENERATOR CONTROLLER IS TO OPEN THE LOAD BANK BREAKER VIA THE SHUNT TRIP COIL WHEN A PRE-TRANSFER SIGNAL IS RECEIVED FROM THE ATS AND THE GENERATOR CONTROLLER IS IN MANUAL MODE. THE SHUNT TRIP COIL IS TO REMAIN ENERGIZED UNTIL THE GENERATOR CONTROLLER IS RETURNED TO AUTOMATIC MODE.
 - THE LOAD BANK SHALL BE PROGRAMMED TO AUTOMATICALLY REGULATE THE GENERATOR LOAD TO MAINTAIN MINIMUM 30% NAMEPLATE KW RATING.
 - THE LOAD BANK IS TO OVERRIDE MANUAL CONTROL AND REGULATE THE GENERATOR LOAD AUTOMATICALLY WHEN THE GENERATOR CONTROLLER IS IN AUTOMATIC MODE. THE GENERATOR CONTROLLER MUST BE IN MANUAL MODE FOR THE LOAD BANK TO REGULATE THE GENERATOR LOAD MANUALLY.
 - LOAD BANK RUN PERMISSION TO BE ACTIVE ONCE GENERATOR REACHES RATED SPEED FOR 10 SECONDS AND TO DROP OUT DURING CONTROLLER COOLDOWN TO PERMIT ENGINE COOLDOWN AT 0% LOAD.
 - AUTOMATIC TRANSFER SWITCH SHALL HAVE PROVISIONS TO BE TESTED WHILE ISOLATED FROM THE NORMAL POWER SUPPLY TO AVOID POWER INTERRUPTION TO THE WATER TREATMENT PLANT DURING ROUTINE MAINTENANCE.
 - INFORMATION OBTAINED FROM CLIENT REFERENCE DRAWINGS. NOT ALL CIRCUIT BREAKER AND MOTOR STARTER INFORMATION AVAILABLE. CONTRACTOR TO VERIFY OVERCURRENT PROTECTION DEVICE AND STARTER INFORMATION ON SITE AS REQUIRED.
 - GENERATOR CONTROL PANEL IS TO TRANSMIT THE FOLLOWING ATS STATUS INFORMATION TO GENERATOR ANNUNCIATORS.
 - A. TRANSFER SWITCH ENABLED
 - B. BYPASS SWITCH ENABLED
 - C. BYPASS SWITCH IN AUTOMATIC MODE (IF BYPASS SWITCH ENABLED)
 - D. BYPASS SWITCH IN MANUAL MODE (IF BYPASS SWITCH ENABLED)
 - NEW 230kW GENSET TO FEATURE UPSIZED 300kW ALTERNATOR.

MCC DISTRIBUTION - LOAD DESCRIPTIONS

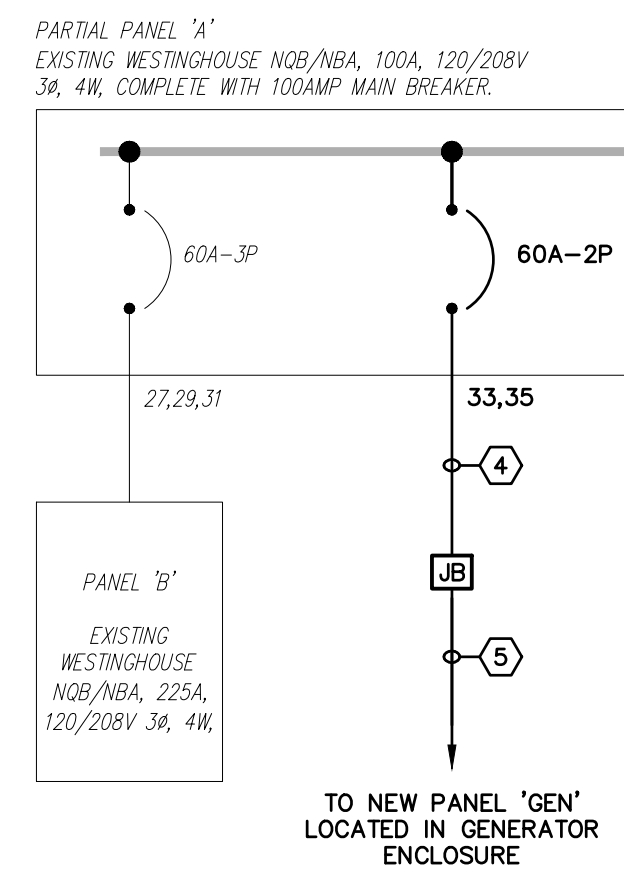
- ① AIR COMPRESSOR 151
- ② AIR COMPRESSOR 152
- ③ EMERGENCY EXHAUST FAN F7
- ④ ROBONIC TRANSFER SWITCH 202
- ⑤ MCC DESCRIPTION LABEL
- ⑥ UTILITY METERING SECTION
- ⑦ MAIN BREAKER SECTION
- ⑧ TRANSFORMER BREAKER 201, FURNACE FAN F9
- ⑨ FIRE PUMP PU-4
- ⑩ GROUND DETECTOR LIGHTS
- ⑪ VACUUM PUMP PU-21
- ⑫ VACUUM PUMP PU-22
- ⑬ TRANSFORMER DISCONNECT FOR PUMP CONTROLLER TRANSFORMER
- ⑭ UNKNOWN - BREAKER IN OFF POSITION
- ⑮ BLANK
- ⑯ BLANK
- ⑰ SERVICE PUMP PU-5
- ⑱ SERVICE PUMP PU-6
- ⑲ SERVICE PUMP PU-7
- ⑳ EXHAUST FAN F1
- ㉑ EXHAUST FAN F10
- ㉒ UNIT HEATER 5KW
- ㉓ LOW LIFT INTAKE PUMP PU-1
- ㉔ LOW LIFT INTAKE PUMP PU-2
- ㉕ BACKWASH PUMP PU-3
- ㉖ SLUDGE STORAGE PUMP PU-14
- ㉗ WELL CLEAN-OUT PUMP PU-15
- ㉘ BLANK
- ㉙ EXHAUST FAN F2
- ㉚ FLASH MIX AGITATOR AC-24
- ㉛ MOTORIZED BREAKER 203
- ㉜ TRANSFORMER 3# 4W, 600-120/208V
- ㉝ HONEYWELL CONTROL PANEL



ENLARGED ELEVATION - MCC DISTRIBUTION SECTION - ELECTRICAL DEMOLITION REQUIREMENTS
SCALE: 1/2" = 1'-0"



ENLARGED ELEVATION - MCC DISTRIBUTION SECTION - ELECTRICAL RENOVATION REQUIREMENTS
SCALE: 1/2" = 1'-0"



ELECTRICAL DRAWINGS TO BE READ IN CONJUNCTION WITH MECHANICAL DRAWINGS, AND MANUFACTURER PROVIDED SHOP DRAWINGS

No.	Revision	Date	Initial
0	ISSUED FOR TENDER	MAR. 07/25	JK
A	ISSUED FOR PRELIMINARY REVIEW	JUL. 14/23	JK

Notes:

- CONTRACTOR SHALL BE RESPONSIBLE FOR CHECKING DIMENSIONS AND EXISTING CONDITIONS AT THE OUTSET OF CONSTRUCTION. REPORT ANY DISCREPANCIES TO THE ENGINEER. DO NOT PROCEED WITHOUT FURTHER WRITTEN DIRECTION FROM THE ENGINEER.
- DRAWING SHOWS GENERAL ARRANGEMENT ONLY. DO NOT SCALE.

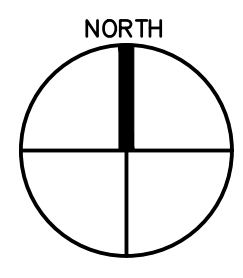
Approved _____ Approved _____

TBT ENGINEERING CONSULTING GROUP
Thunder Bay Phone: (807) 624-5160
E-mail: info@tbt.ca

WATER TREATMENT PLANT IMPROVEMENTS
Rainy River Ontario

ELECTRICAL SINGLE LINE DIAGRAM DEMOLITION & RENOVATION REQUIREMENTS

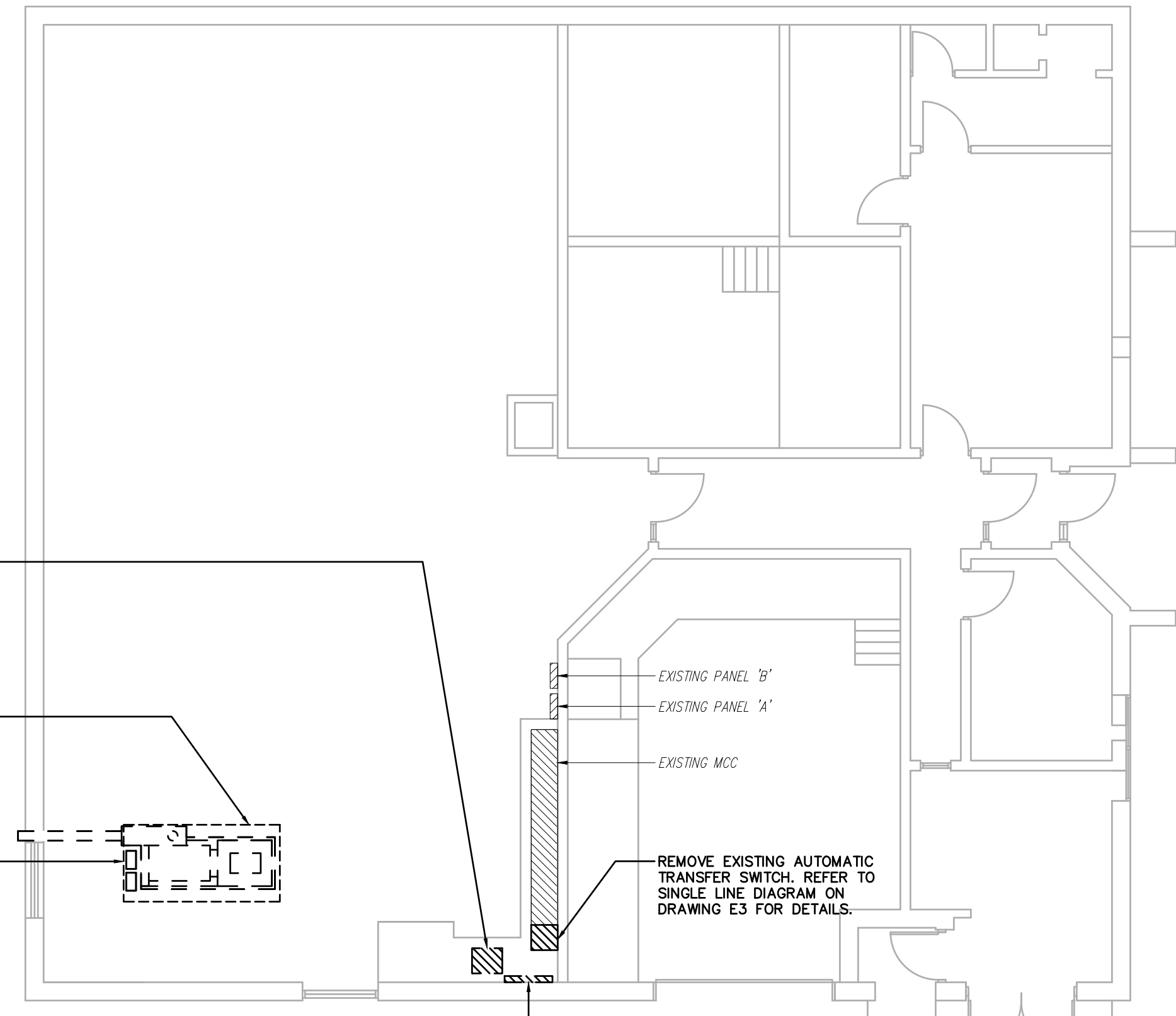
Scale: AS NOTED	Drawn By: SN/IP Ckd. By: JK	Date: MARCH 2025
	Dwg. No.: 21-206-E3	Rev. 0



REMOVE EXISTING GENERATOR CONTROL CABINET AND BATTERY CHARGER COMPLETE WITH ALL ASSOCIATED WIRING IN ITS ENTIRETY. WIRING CAST IN CONCRETE IS TO BE CUT FLUSH WITH GRADE, CAPPED, AND ABANDONED IN PLACE.

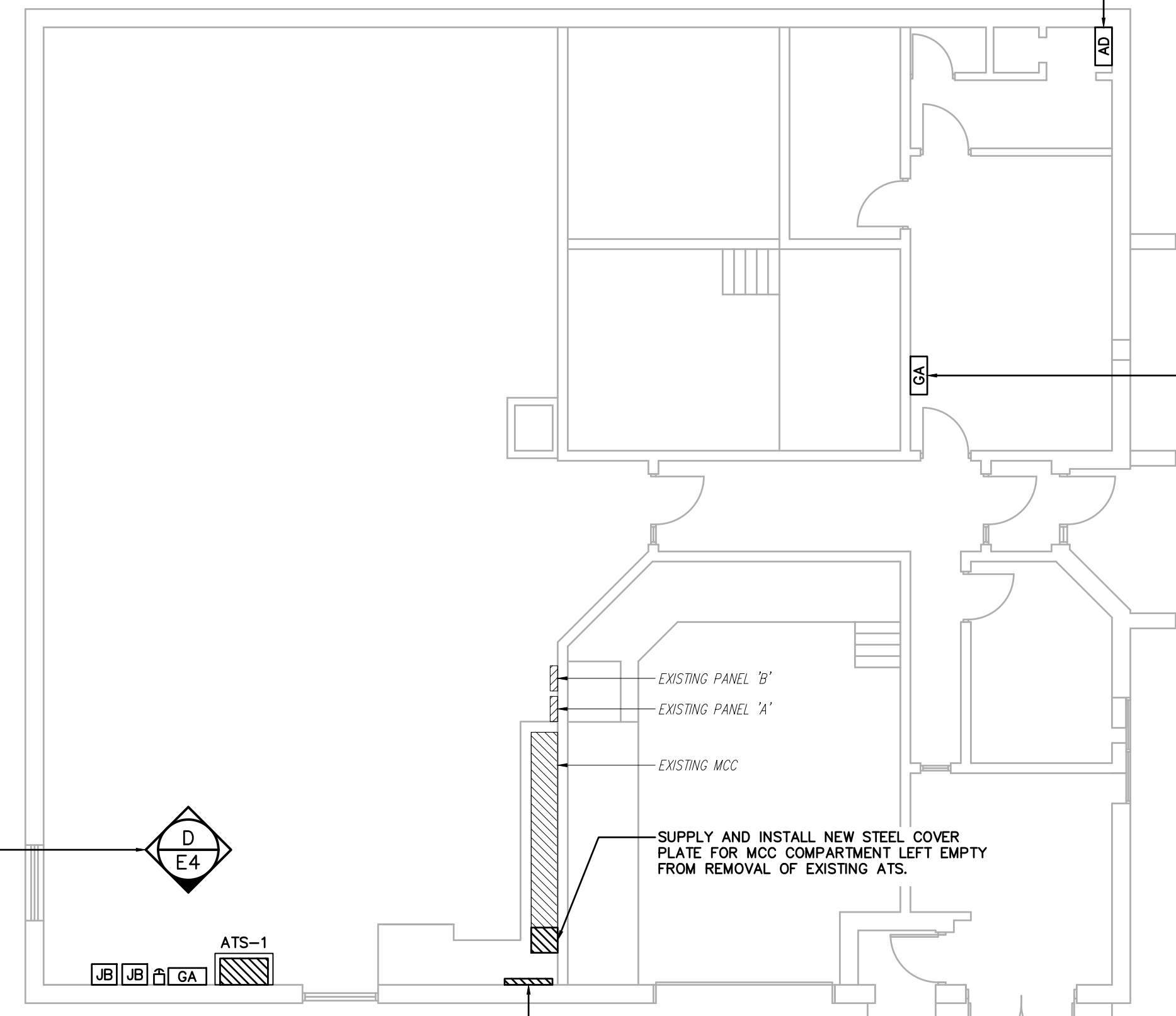
EXISTING GENERATOR CONCRETE PAD TO BE DEMOLISHED. PATCH CONCRETE FLOOR TO MATCH SURROUNDING AREA.

EXISTING DIESEL FUELED GENERATOR TO BE REMOVED BY MECHANICAL CONTRACTOR. ELECTRICAL CONTRACTOR TO DISCONNECT AND REMOVE POWER AND WIRING, CAP AND ABANDON ANY AND ALL CONDUIT CAST IN CONCRETE. REFER TO SINGLE LINE DIAGRAM ON DRAWING E3 FOR DETAILS.



MAIN FLOOR PLAN - ELECTRICAL DEMOLITION
SCALE: 1/8"=1'-0"

FOR INTERIOR ELECTRICAL RENOVATION REQUIREMENTS REFER TO ELEVATION DETAIL.



MAIN FLOOR PLAN - ELECTRICAL RENOVATION
SCALE: 1/8"=1'-0"

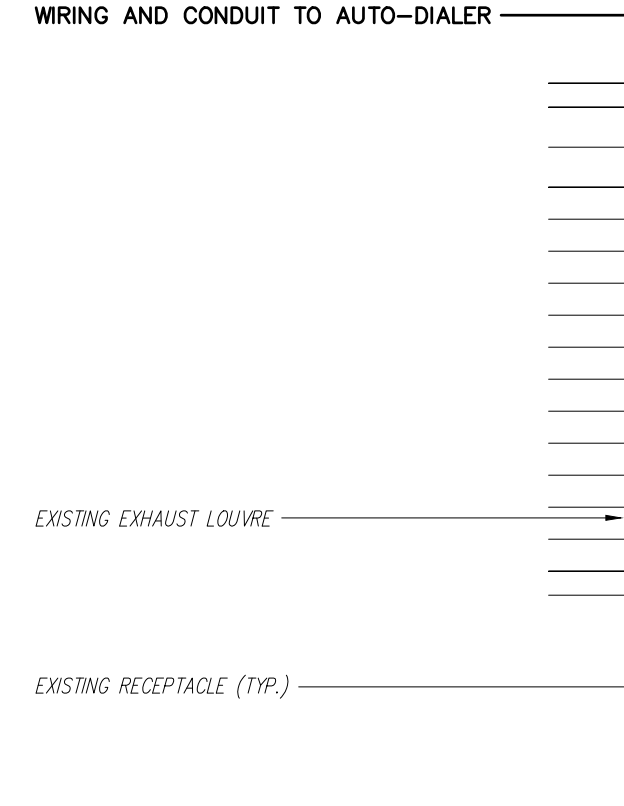
GENERATOR PANEL BOARD WIRING AND CONDUIT TO PANEL 'A'

ATS NORMAL SOURCE WIRING AND CONDUIT TO MCC

ATS BUILDING LOAD WIRING AND CONDUIT TO MCC

SUPPORT CONDUIT FOR ATS AND GENERATOR PANEL POWER FEEDS USING CHANNEL STRUT COMPLETE WITH THREADED ROD SUSPENDED FROM OPEN WEB STEEL JOISTS ABOVE. CONDUIT SUPPORTS NOT TO EXCEED SPACING AS INDICATED BY OESC RULE 12-1010.

WRING AND CONDUIT TO AUTO-DIALER



EXISTING EXHAUST LOUVER

EXISTING RECEPTACLE (TYP.)

SUPPLY AND INSTALL NEW BYPASS ISOLATION TRANSFER SWITCH COMPLETE WITH POWER FEEDS AND CONTROL WIRING. REFER TO SINGLE LINE DIAGRAM ON DRAWING E3 AND SPECIFICATIONS FOR DETAILS.

D E4 ELEVATION - AUTOMATIC TRANSFER SWITCH
SCALE: 1/2"=1'-0"

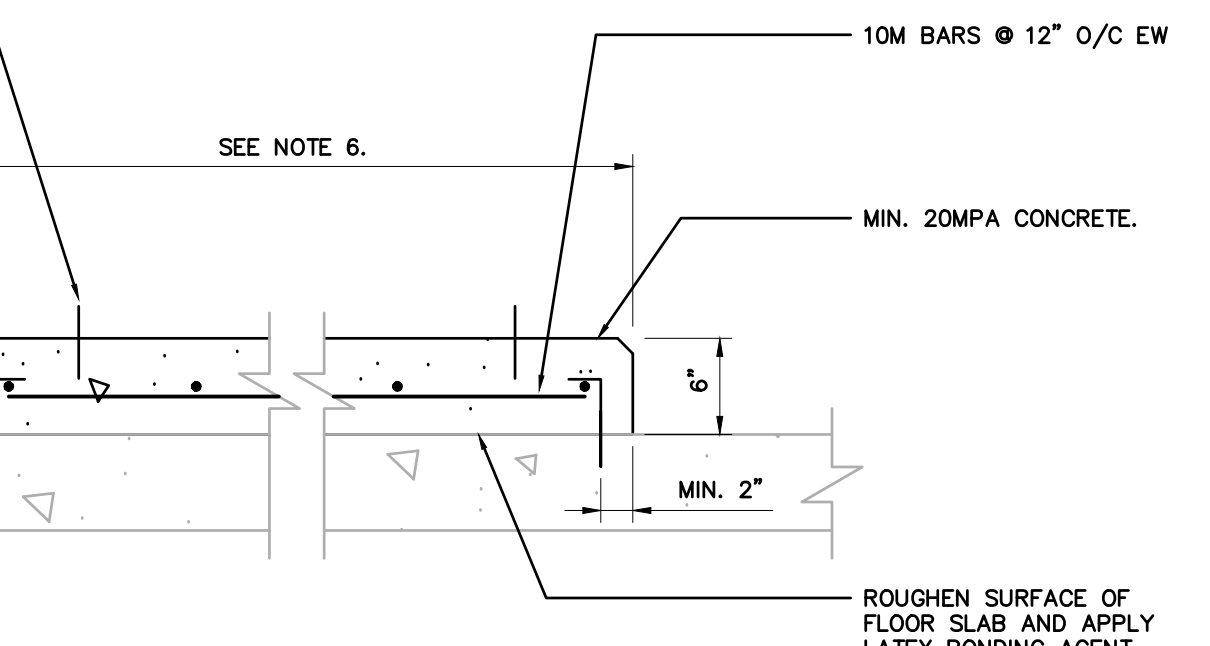
EQUIPMENT ANCHOR BOLTS AS REQUIRED. COORDINATE LOCATION WITH EQUIPMENT MANUFACTURER.

CHAMFER OUTSIDE CORNERS.

SEAL JOINT WITH POLYURETHANE ELASTOMERIC SEALANT.

FLOOR SLAB. SEE NOTE 5.

10M DOWEL ANCHORS @ MAX. 24" O/C AND ALL CORNERS ALONG EXTERIOR REBAR. EPOXY ANCHORS INTO CONCRETE FLOOR SLAB.

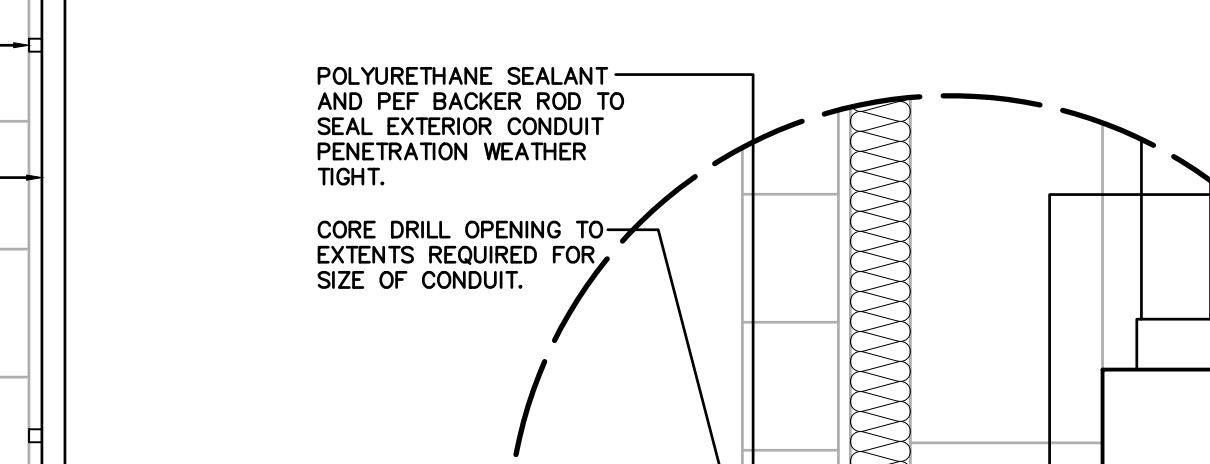


6 E4 DETAIL - HOUSEKEEPING PAD
SCALE: 1" = 1'-0"

CHANNEL STRUT TO SUPPORT CONDUIT

TRANSITION FROM RIGID PVC CONDUIT RUN BELOW GRADE TO EMT CONDUIT INSIDE BUILDING.

SUPPLY AND INSTALL NEW GENERATOR REMOTE ANNUNCIATOR COMPLETE WITH ASSOCIATED WIRING. COORDINATE FINAL LOCATION OF REMOTE ANNUNCIATOR WITH OWNER. (TYP. 2)

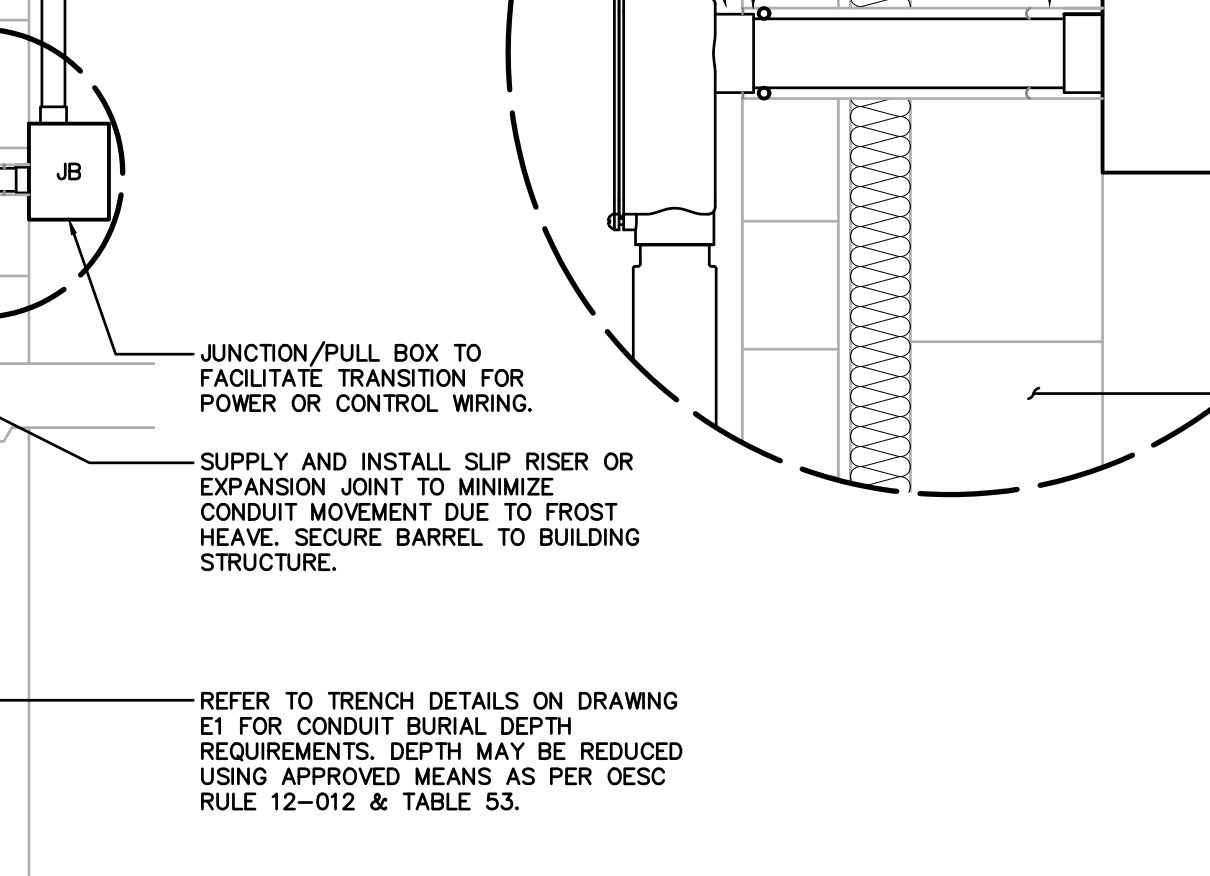


LB FITTING, SIZE PER CONDUIT REQUIREMENTS.

JUNCTION/PULL BOX TO FACILITATE TRANSITION FOR POWER OR CONTROL WIRING.

SUPPLY AND INSTALL SLIP RISER OR EXPANSION JOINT TO MINIMIZE CONDUIT MOVEMENT DUE TO FROST HEAVE. SECURE BARREL TO BUILDING STRUCTURE.

REFER TO TRENCH DETAILS ON DRAWING E1 FOR CONDUIT BURIAL DEPTH REQUIREMENTS. DEPTH MAY BE REDUCED USING APPROVED MEANS AS PER OESC RULE 12-012 & TABLE 53.



7 E4 DETAIL - EXTERIOR WALL PENETRATION (TYP.)
SCALE: N.T.S.

- NOTES**
- ELEVATION SHOWS GENERAL ARRANGEMENT ONLY FOR REFERENCE. MODIFY LAYOUT OF ELECTRICAL EQUIPMENT TO SUIT SITE CONDITIONS AS REQUIRED.
 - ELEVATION DOES NOT SHOW ALL CABLING AND CONDUIT FOR CLARITY.
 - SUPPLY AND INSTALL LAMACOID PLATE ON NEW GENERATOR EMERGENCY STOP BUTTON. LAMACOID PLATE TO BE LABELED AS FOLLOWS:
GENERATOR EMERGENCY STOP
 - WALL CONSTRUCTION BASED ON CLIENT REFERENCE DRAWINGS. CONTRACTOR TO VERIFY ON SITE TO EXTENTS REQUIRED.
 - FOR NEW CONSTRUCTION SEE ARCHITECTURAL AND/OR STRUCTURAL PLANS AND DETAILS FOR SLAB THICKNESS OF EXISTING FLOOR SLABS MAY VARY WITH THE PROJECT LOCATION AND BUILDING, VERIFY IN FIELD PRIOR TO INSTALLATION.
 - EXTEND HOUSEKEEPING PAD MINIMUM 4" WIDER THAN EQUIPMENT ON ALL SIDES.
 - LOCATION OF EXISTING AUTO-DIALER COULD NOT BE CONFIRMED DURING SITE VISIT. FOR PRICING PURPOSES, CONTRACTOR SHALL ASSUME IT IS LOCATED AT FURTHEST POSSIBLE EXTENTS WITHIN THE BUILDING FROM THE ATS. FIELD VERIFY ACTUAL LOCATION PRIOR TO CONSTRUCTION.

WRING AND CONDUIT TO ADDITIONAL REMOTE ANNUNCIATOR

ATS REMOTE START AND NORMAL/EMERGENCY POSITION WIRING AND CONDUIT.

ATS EMERGENCY SOURCE WIRING AND CONDUIT TO GENERATOR

SUPPLY AND INSTALL NEW GENERATOR REMOTE EMERGENCY STOP BUTTON COMPLETE WITH ASSOCIATED WIRING. SUPPLY AND INSTALL LAMACOID PLATE. SEE NOTE 3.

GENERATOR REMOTE ANNUNCIATOR

SUPPORT PARALLEL RUNS OF CONDUIT USING CHANNEL STRUT.

JUNCTION BOX TO FACILITATE POWER AND CONTROL WIRING TRANSITION FROM EXTERIOR TO BUILDING INTERIOR. SUPPLY AND INSTALL TERMINAL LUGS AS REQUIRED TO FACILITATE CABLE TRANSITIONS. (TYP. 2)

PROVIDE HOUSEKEEPING PAD FOR ATS. REFER TO DETAIL THIS DRAWING FOR REQUIREMENTS.

ELECTRICAL DRAWINGS TO BE READ IN CONJUNCTION WITH MECHANICAL DRAWINGS, AND MANUFACTURER PROVIDED SHOP DRAWINGS

No.	Revision	Date	Initial
0	ISSUED FOR TENDER	MAR. 07/25	JK
A	ISSUED FOR PRELIMINARY REVIEW	JUL. 14/23	JK

Notes:

- CONTRACTOR SHALL BE RESPONSIBLE FOR CHECKING DIMENSIONS AND EXISTING CONDITIONS AT THE OUTSET OF CONSTRUCTION. REPORT ANY DISCREPANCIES TO THE ENGINEER. DO NOT PROCEED WITHOUT FURTHER WRITTEN DIRECTION FROM THE ENGINEER.
- DRAWING SHOWS GENERAL ARRANGEMENT ONLY. DO NOT SCALE.

Approved _____ Approved _____

TBT ENGINEERING CONSULTING GROUP

Thunder Bay Phone: (807) 624-5160
E-mail: info@tbt.ca

WATER TREATMENT PLANT IMPROVEMENTS
Rainy River Ontario

ELECTRICAL MAIN FLOOR PLAN DEMOLITION & RENOVATION REQUIREMENTS

Scale: AS NOTED	Drawn By: SN/IP Ckd. By: JK Dwg. No.: 21-206-E4	Date: MARCH 2025 Rev. 0
-----------------	---	----------------------------