

Customer Name: \_\_\_\_\_

Chassis style & Yr: \_\_\_\_\_

Do you need any parts?

Company: \_\_\_\_\_

OEM Part #: \_\_\_\_\_

Cap

Phone #: \_\_\_\_\_

Select Finish:  Milgrade  Polished

1/2" Plug

Fax #: \_\_\_\_\_

Do you need any mounting hardware?

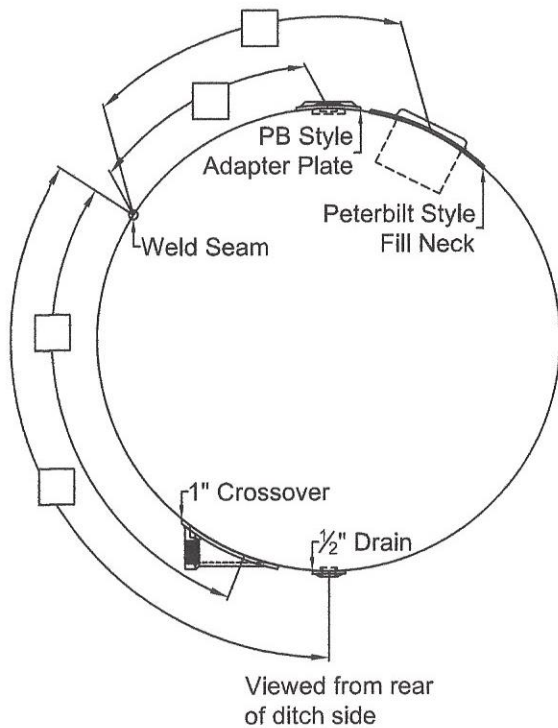
Vent

Straps  Step Kit

Sending Unit

Please note parts and mounting are not included in the price of the tank.

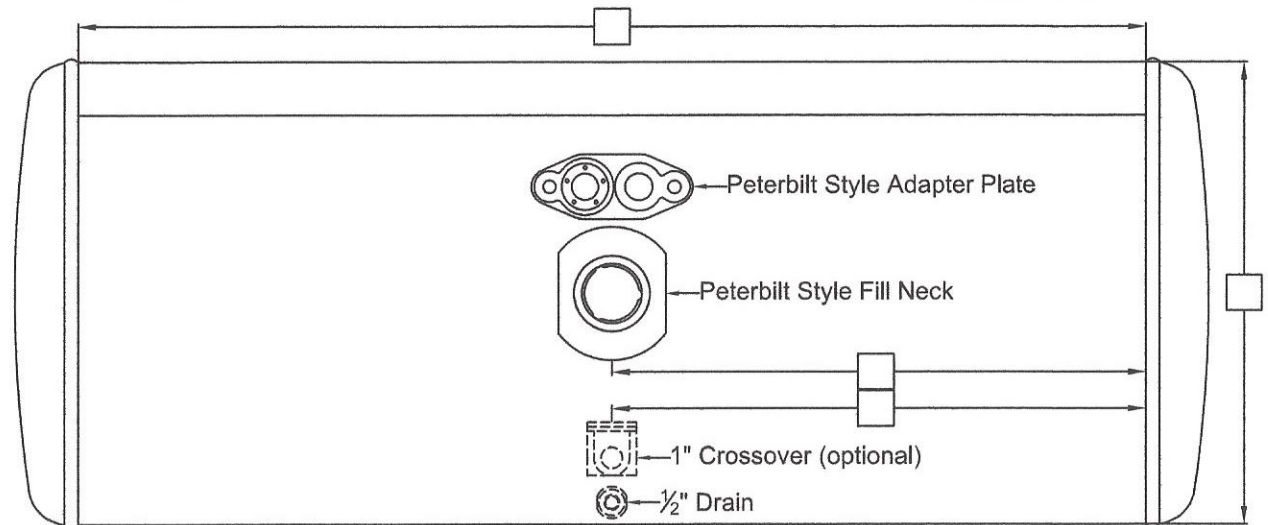
Other



This configuration is typically found on tanks prior to 2006.

## Peterbilt Style

Truck Front  
Ditch Side →



Please note: All sizes are NPTF unless otherwise noted and reference all measurements from the lateral weld seam and the end cap weld seam to the center of the fittings.

**South Towns Specialties, LLC**

5651 Cole Road  
West Valley, NY 14171  
716-592-4993