



# DUO BLAST®

**IMI**  
Precision Engineering

**DUO BLAST®300pV3Wet-DryAbrasiveBlastingSystem**  
Our largest capacity and most portable unit designed specifically for industrial use

THE ONE-STOP MACHINE FOR OPEN BLAST CLEANING



## Main Features

- Blasting pressure from 30-160Psi
  - 300kg media capacity allowing over 2.5-3 hours of blasting
  - Air and water filtration system
  - Water level monitoring system
  - Works wet or dry as required
  - Safe & easy-to-use controls
  - Fully powder coated
  - A true wet or dry system, without hassle.
- **WET BLAST** • **DRY BLAST** • **AIR WASH** • **WET WASH**



All DUO BLAST® systems feature an ATEX certified stainless steel control panel with four blast selections. The user simply sets the toggles and the machine does all the hard work! Switch from wet to dry or visa-versa within seconds! Built-in E-Stop for maximum safety.



Easily adjust both water and grit flow at the machine's grit valve for optimum machine performance. With the DUO BLAST® water injection system (Patent-Pending) chances of slurry blockages are eliminated! Reducing downtime with maximum work rates, gets the job done!

**BUILT 'TO BLAST'**  
**MADE 'TO LAST'**

**DUO BLAST** | [www.duoblast.co.uk](http://www.duoblast.co.uk)

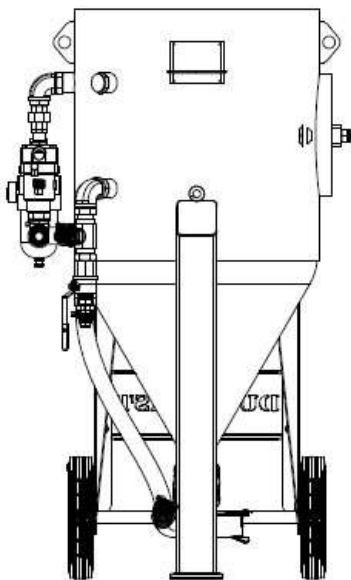
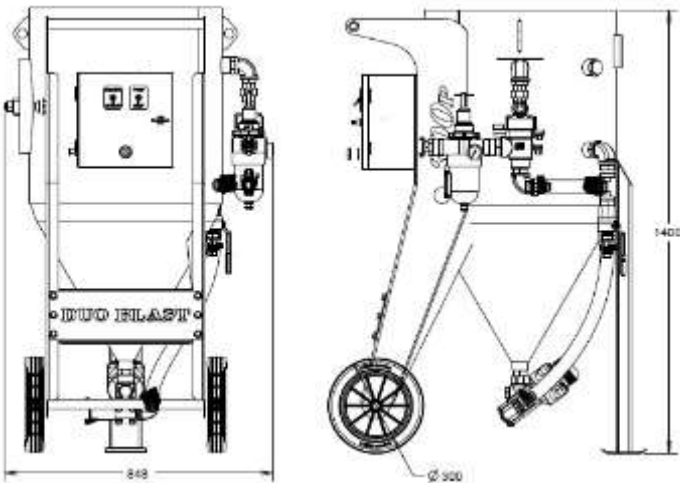
World Headquarters UK: UNIT D2, Willow bank Business Park, Larne, Co. Antrim, BT40 2SF • Phone: +44(0)2828269900

[sales@duoblast.co.uk](mailto:sales@duoblast.co.uk)

## 300Pv3 Technical

### Machine Specifications

- Weight: 185kg (dry)
- Abrasive Capacity: 300kg
- 12 bar rated vessel
- Water Consumption: 0.2-2 Lpm (Adjustable)
- Grit Consumption: 50-180kg P/Hr (Adjustable)
- Water inlet: Hozelock male coupling
- Air requirement: 150-500cfm



### Parts Specifications

- High-flow filter regulator
- Water/air filtration system
- Hopper vibrator for fine medias
- Normally closed abrasive metering valve
- 10M of blast hose with sheathed lines
- Pot lid
- 3/8" Tungsten carbide venturi nozzle\*
- Stainless steel control panel

#### Optional Extras:

- Blast hose extensions up to 300ft
- Breathing filter regulator
- Air-fed helmet
- 900cfm filter/regulator
- Pot sieve

\*Nozzle size dependent on air input.

*All our products are backed up by a robust 2 year parts & labour warranty.*

**DUO-BLAST**

DEALER STAMP HERE