

# COMMERCIAL MOWER ATTACHMENT SERIES



X-Blade Dual Mulching Blade Adapters are designed to hold your original blade and an additional mulching blade (not included) at a perfect 90 degree angle. Your original blade (lower) will give the clean height of cut, and the mulching blade above, with multiple cutting edges, pulverizes the cut grass as it cycles through the deck chamber and this will dramatically reduce the size of the grass clippings.

X-Blade Dual Mulching Blade Adapters fit most standard commercial mower blades. Available in 3 size: XB 2.5 W x 5/8 CH XBE 2.5 W x 15/16 CH XBP 3 W x 15/16 CH

**X-BLADE DUAL MULCHING  
 BLADE ADAPTER**

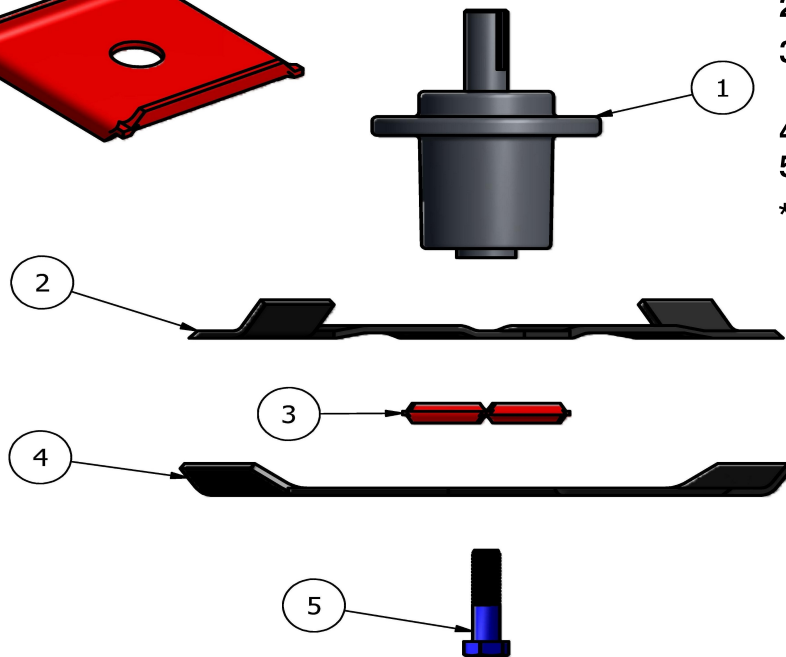
Part 3



## INSTALLATION INSTRUCTIONS

- 1) SPINDLE (NOT INCLUDED)
- 2) MULCHING BLADE (NOT INCLUDED)
- 3) X-BLADE DUAL MULCHING BLADE ADAPTER
- 4) REGULAR BLADE (NOT INCLUDED)
- 5) BLADE BOLT\* (NOT INCLUDED)

\* Torque blade bolt to 90-100 ft lbs upon installation and retorque after first use.



In some cases, if second blade is loose due to center hole size, a reducing bushing will be required.

A longer blade bolt may be required for proper tread coverage.

Check blades regularly, never run loose blades.

It is recommended to power down the engine before you turn off the clutch to avoid wearing out the internal brake in the clutch since the mower is stopping additional blades.

It is important to maintain proper belt tension on your PTO belt, check regularly.

Not for the use on homeowner zeroturn/mowers, blades longer than 24" or stamped-non flat blades.

If your mower is properly maintained and running at the proper RPM's (min 3450) and the governor is working to its optimum potential, there is no reason that your machine would perform any differently with the addition of X-Blade adapter set up.

*Now Go Pulverize some grass clippings!  
 D'ttach... "It's About Time"*

**AVAILABLE NOW AT A D'TTACH<sup>TM</sup> DEALER NEAR YOU**

For more information, call 631-566-6085 or visit dttach.com

Follow Us @dttachmfg

