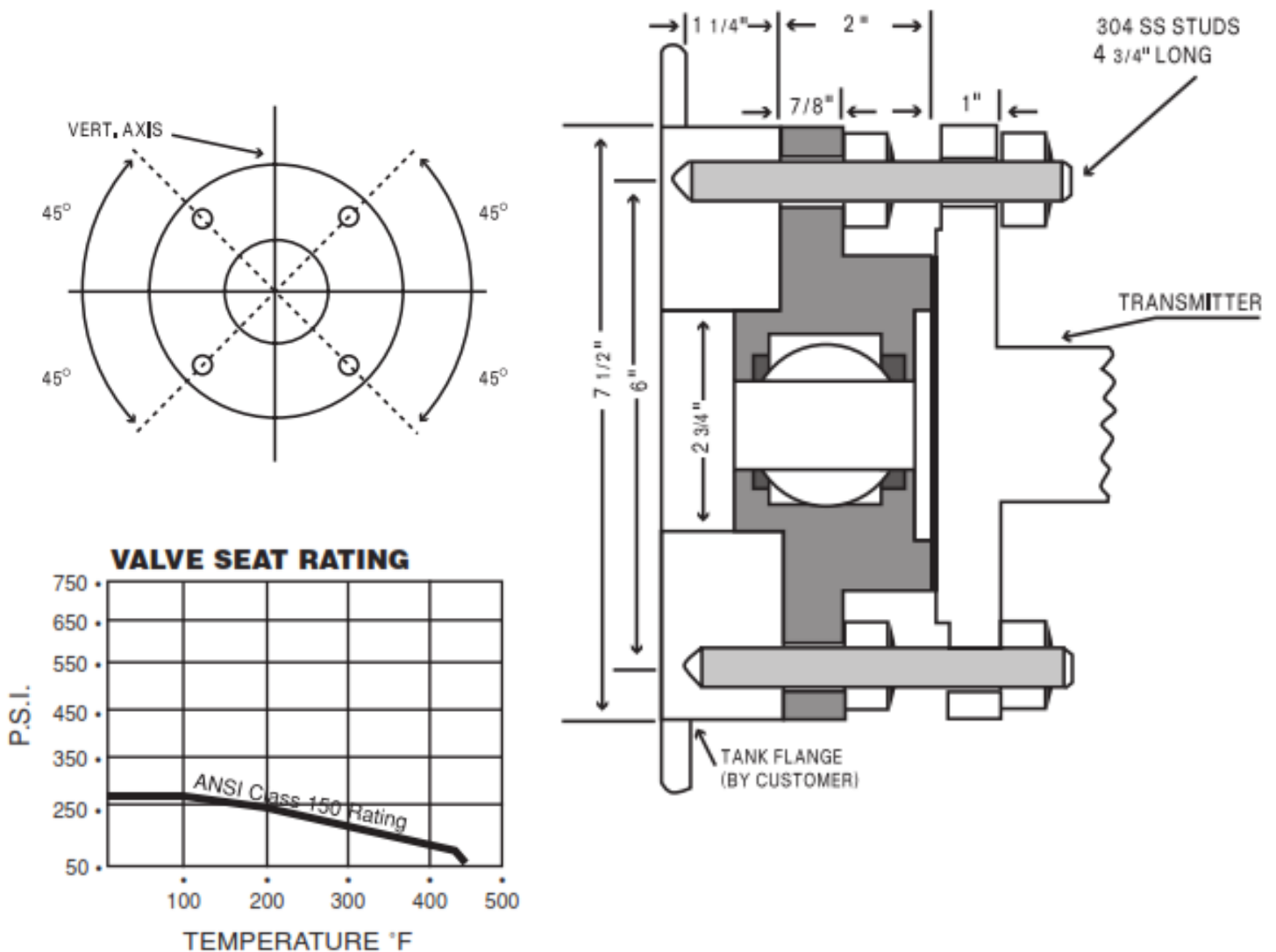


Fig. 105 BD Technical and Dimensional Data :

Fig. 105 BD has a stud bolt orientation designed for ANSI 150 # 4 bolt flange pattern.



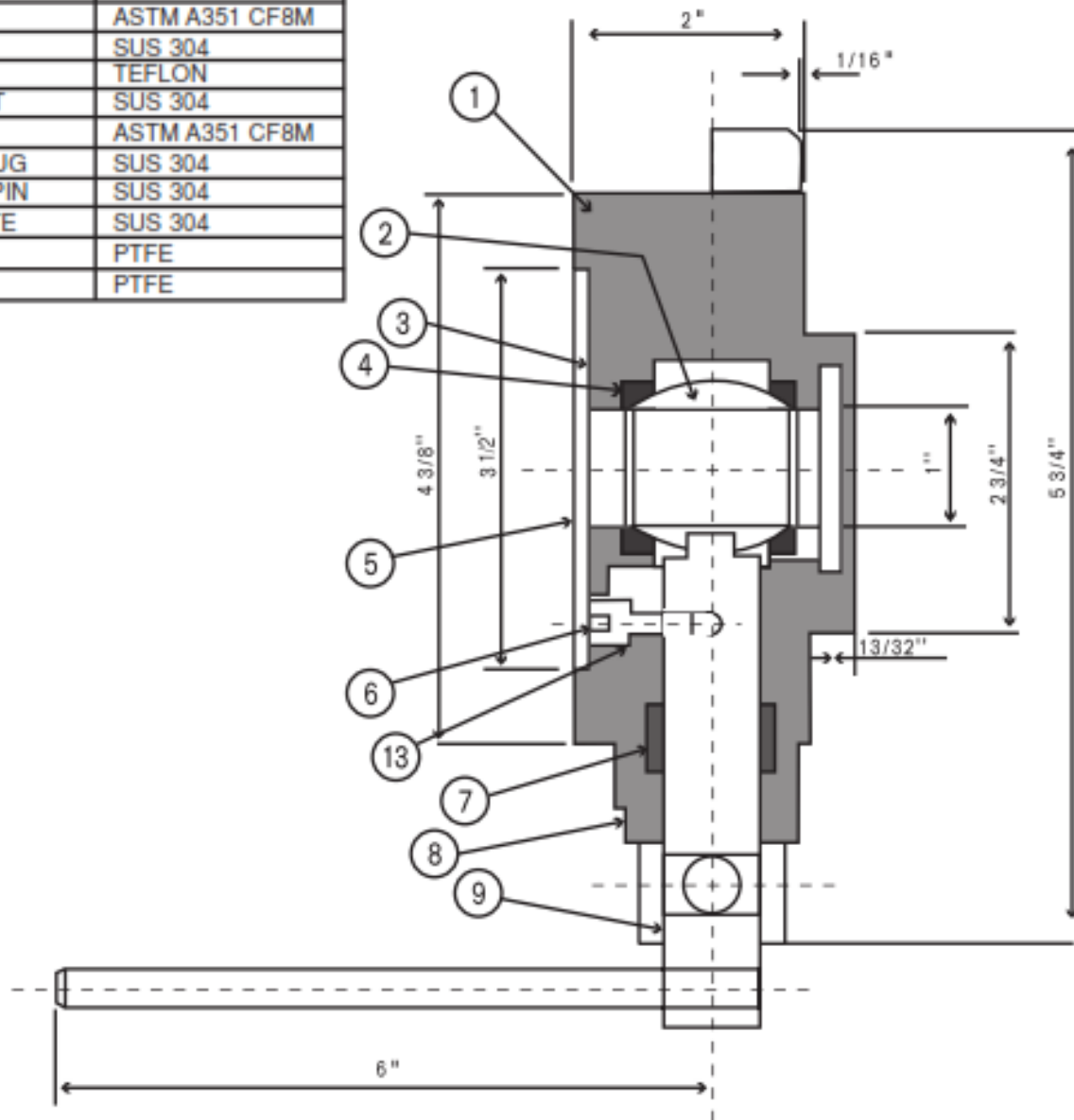


TRANS-VALVE
— SPECIALTY VALVES FOR INDUSTRY —

Figure 105 BD

Transmitter Isolation Ball Valve

ITEM	DESCRIPTION	MATERIAL
1	BODY	ASTM A351 CF8M
2	BALL	ASTM A351 CF8M
3	RETAINER GASKET	TEFLON
4	SEAT	RTFE
5	RETAINER	ASTM A351 CF8M
6	STOP PIN	SUS 304
7	PACKING	TEFLON
8	GLAND NUT	SUS 304
9	STEM	ASTM A351 CF8M
10	1/4 NPT PLUG	SUS 304
11	LOCKOUT PIN	SUS 304
12	NAME PLATE	SUS 304
13	SEAL	PTFE
14	SEAL	PTFE





TRANS-VALVE
— SPECIALTY VALVES FOR INDUSTRY —

Figure 105 BD

Transmitter Isolation Ball Valve

