

EPA - EXA REPLACEMENT COILS

For Arcoaire, Comfortmaker, Heil, Tempstar & ICP Brands

1. In order to complement our manufacturing process and eliminate costly setups, certain models have been redesigned from 2 row coils to 3 rows, and 3 row coils to 4 rows. We have maintained the proper internal refrigerant volumes for each model to insure compatibility for heat pump applications. The new designs will be shorter, but all other dimensions are maintained for ease of installation. Redesigned models are noted with an asterisk in front of the model number.
2. The line set connections for our EPA-EXA replacement coils are properly positioned to match published specifications. The drain pan is properly sized for each application and the drain connections are positioned to fit the access panel.
3. All EPA-EXA replacement coils utilize 3/8" O.D., CU-122 60 helical copper tube, .016 back wall. Our tubing has a backwall thickness of .016, giving our coils a 2,500 PSI burst pressure minimum which far exceeds industry standards.
4. Our EPA-EXA coils can also be used in certain ICP air handlers such as the (N)FCP and (N)FCX models. Please refer to our EPA-EXA cross reference for model numbers.
5. Our EPA-EXA replacement coils carry a Five year replacement warranty.
6. **Please be aware that the original EPA30 and EPA36 coils were 2 row coils with limited internal refrigerant volumes. We no longer manufacture these EPA coils with the limited 2 row refrigerant volume. We offer a 3 row, piston metered version that will have the same dimensions. If the outdoor unit has been replaced due to a past failure, we strongly suggest utilizing our EXA versions for outdoor unit compatibility.**

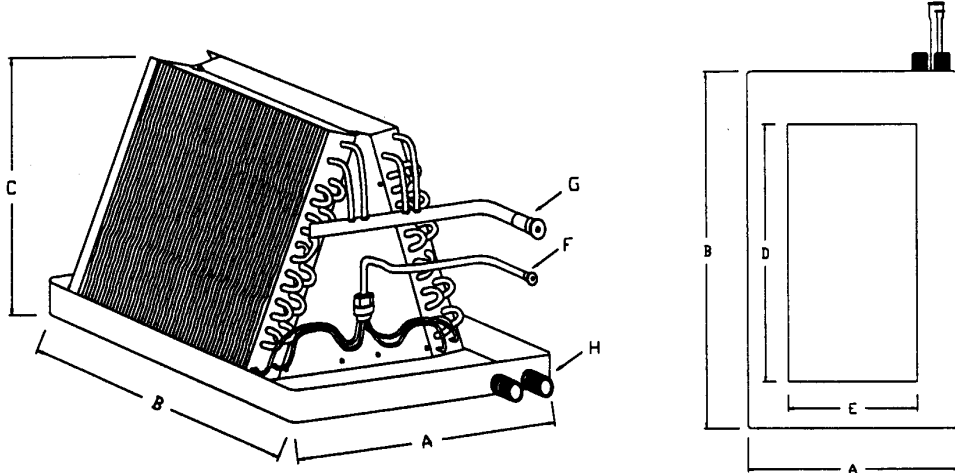
Uncased A-Coil	Same coil used in				
	Cased Coil	Multipurpose Cased Coil	Fan Coil		Electric Furnace
EPA	EPD	EPM	FCP		EF
EXA	EXD	EXM	FCX	FCV	EF

Sustainable Coils LLC

Replacement Coil Solutions!

EPA-EXA REPLACEMENT A-COILS

Revision date: 10/09/2023



COIL MODEL	COIL WEIGHT	ROWS	A	B	C	D	E	F	G	H
**RC-EPA24B15	26	3	14 3/4	19 3/4	10 1/2	15 3/4	7 1/2	3/8	3/4	3/4
RC-EXA24B15	34	3	14 3/4	19 3/4	14 1/2	15 3/4	7 1/2	3/8	3/4	3/4
**RC-EPA36B15	41	3	14 3/4	19 3/4	18 1/2	15 3/4	7 1/2	3/8	3/4	3/4
**RC-EPA36F19	42	3	18 1/8	19 3/4	18 1/2	15 3/4	10 3/4	3/8	3/4	3/4
RC-EXA36B15	41	3	14 3/4	19 3/4	18 1/2	15 3/4	7 1/2	3/8	3/4	3/4
RC-EXA36F19	42	3	18 1/8	19 3/4	18 1/2	15 3/4	10 3/4	3/8	3/4	3/4
RC-EPA42F19	42	3	18 1/8	19 3/4	18 1/2	15 3/4	10 3/4	3/8	7/8	3/4
RC-EPA48F19	46	3	18 1/8	19 3/4	20 1/2	15 3/4	10 3/4	3/8	7/8	3/4
RC-EPA48J22	49	3	21 7/8	19 3/4	22 1/2	15 3/4	14 1/2	3/8	7/8	3/4
**(*)RC-EPA60J22	56	4	21 7/8	19 3/4	20 1/2	15 3/4	12 3/4	3/8	7/8	3/4

Suction line 1 5/8" ←, 10 5/8" ↑. Liquid line 1 5/8" ←, 9 3/8" ↑.
 Primary drain 2 1/2" ← to center, secondary drain 1 5/8" ← to center.

3/8" O.D., CU-122 60 helical copper tube, .016 back wall.

2,500 PSI burst pressure minimum

Aluminum end plates to protect against rust corrosion

22 ga. G-90 paint grip metal drain pan, coated with a rust inhibitor and painted black

RC-EPA piston metered for R-22 application, RC-EXA equipped with R-22 heat pump TXV

Pre-swaged refrigerant connections, shipped with dry nitrogen holding charge

Five year replacement warranty

(*) Denotes overweight/oversize coil that must be shipped on a skid to a commercial location.

** Denotes physical dimension modification from original 2 row coils to 3 row coils, or 3 row coils to 4 row coils.

Telephone: (903) 881-6006

Fax: (903) 881-6008

email: sales@SustainableCoils.com

Sustainable Coils LLC

Replacement Coil Solutions!

EPA - EXA Replacement Coils Cross Reference 10/09/2023

CROSS REFERENCE UTILIZATION CHART

OEM Model #	Sustainable Model #	Specified Metering
EPA24B15	**RC-EPA24B15	R-22 PISTON
EPA36B15	**RC-EPA36B15	R-22 PISTON
EPA36F19	**RC-EPA36F19	R-22 PISTON
EPA42F19	RC-EPA42F19	R-22 PISTON
EPA48F19	RC-EPA48F19	R-22 PISTON
EPA48J22	RC-EPA48J22	R-22 PISTON
EPA60J22	**RC-EPA60J22	R-22 PISTON
EPA60N26	Out of production	R-22 PISTON

OEM Model #	Sustainable Model #	Specified Metering
EXA24B15	RC-EXA24B15	R-22 HP-TXV
EXA36B15	RC-EXA36B15	R-22 HP-TXV
EXA36F19	RC-EXA36F19	R-22 HP-TXV
EXA48J22	RC-EXA48J22	R-22 HP-TXV
EXA60N26	Out of production	R-22 HP-TXV

OEM Model #	Sustainable Model #	Specified Metering
(N)FCP2400C/D	**RC-EPA24B15	R-22 PISTON
(N)FCP3000C/D	**RC-EPA36B15	R-22 PISTON
(N)FCP3600C/D	**RC-EPA36F19	R-22 PISTON
(N)FCP4200C/D	**RC-EPA42F19	R-22 PISTON
(N)FCP4800C/D	RC-EPA48J22	R-22 PISTON
(N)FCP6000C/D	No Replacement Option	R-22 PISTON

OEM Model #	Sustainable Model #	Specified Metering
(N)FCX2400C	RC-EXA24B15	R-22 HP-TXV
(N)FCX3600C	RC-EXA36F19	R-22 HP-TXV
(N)FCX4800C	No Replacement Option	R-22 HP-TXV
(N)FCX6000C	No Replacement Option	R-22 HP-TXV

3/8" O.D., CU-122 60 helical copper tube, .016 back wall.

2,500 PSI burst pressure minimum

Aluminum end plates for rust reduction.

EPA coils are piston metered for R-22 applications, additional 410A pistons available.

EXA coils have R-22 expansion valves factory installed, 410A valves available upon request.

Drains, suction and liquid lines are positioned to original OEM specifications.

Pre-swaged suction and liquid lines, shipped with dry nitrogen holding charge.

Coils utilize a coated G-90 paint grip metal drain pan.

Coils carry a Five year replacement warranty.

Proudly manufactured and assembled in Lindale, Texas.

**Denotes models that have been modified (2 row to 3 row, 3 row to 4 row) to meet current production models and facilitate shipping.

Telephone: (903) 881-6006

Fax: (903) 881-6008

email: sales@SustainableCoils.com