

Intend of Solar Power Hybrid circuit for Grid associated with Reconfigurable Inverter Topology

Dr. Chandrashekhara Reddy¹, G Saritha², Sriram Venkatesh³

¹Professor, ²Assistant Professor, ³M.Tech student

Dept of EEE, CJIT, Yeshwanthapur, Warangal, T.S, India.

Abstract - This paper recommended reconfigurable solitary stage inverter geography for a crossbreed AC/DC solar energy residence. This inverter have a solitary stage solitary phase geography and also the major benefit of this converter is that it could do DC/DC, DC/AC as well as grid connection procedure, hence lowers loss, price, dimension of the converter. This crossbreed AC/DC residence has home appliances of both A/C and also DC kinds. This sort of house aides to lower the power loss by staying clear of unneeded dual phases of power conversion and also boosts the harmonic account by separating DC kind tons to DC supply side as well as remainder of Air Conditioner side. First of all, simulation is carried out in MATLAB/Simulink with help of fuzzy logic controller. Such kind of solar energy residence as well as inverter would certainly be a standard foundation of power effective future Smart Grid as well as Microgrid.

Keywords - AC TO DC Converter, PV system, Converter, Grid, Safe Switching, Fuzzy logic controller.

I. INTRODUCTION

The present century has actually observed the extraordinary advancement as well as development of renewable resource worldwide. There has actually been a considerable rise in the capability as well as manufacturing of all sustainable modern technologies as well as development in sustaining plans. In between solar PVs experienced the swiftest development price to have actually included power capability among all the eco-friendly. Specifically, roof solar PV are getting even more appeal in circulation system because of decrease in expense of photovoltaic panel, Government plans such as feed in tolls to advertise renewable resource use, modularity and also much less upkeep and so on. However periodic nature of the sustainable creates the considerable security as well as integrity problems in the circulation system. To reduce the unpredictability in solar PV generation, storage space alternatives are presented such as battery system, Fuel cells and so on. The renewable resource is most required one for present century and also for future. By every day the use of power goes greater specifically all the renewable resources. So the manufacturing and also capability additionally obtain boosts. The solar PVs development price has actually included much more power capability among all the renewable resources from 2009 to 2013. The roofing system leading solar PV will certainly get even more appeal in network of circulation using decrease price of photovoltaic

panels, likely the federal government plans provides settlement to motivate renewable resource use, modularity as well as much less upkeep and so on. Yet in between of the nature of the sustainable constant security as well as confident concerns in the circulation system. To lower the changeability in the solar PV manufacturing, storage space choice is urged such as battery system, Fuel cells. As a result of boosting the nonlinear contemporary real estate devices and also modern-day innovation in the house, it calls for to increase the size of the efficiency as well as convenience, are primary basic material for creating the harmonic present in feeder and also reasonably influencing the power top quality, the loss of power consisting of a substantial disadvantage for electric designers. The brand-new modern-day house lots supply better benefits. The brand-new decrease of concern in the circulation system.

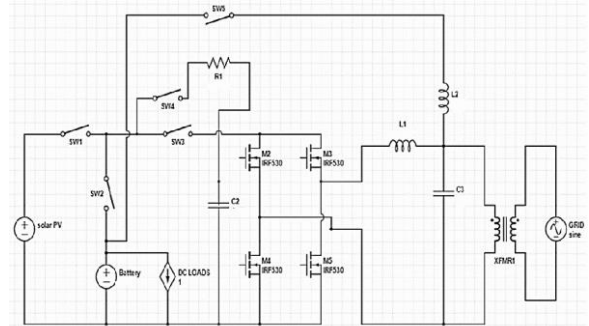


Figure 1: Model diagram.

II. PREVIOUS STUDY

These RPGs mainly do not associate with customer lots need in time ranges as a result of its high intermittency. As a result, it brings about among the major reasons for destabilizing the power system. The non-renewable fuel source as well as hydro based nuclear power plant plays substantial function in managing voltage as well as regularity of network and also ultimately in maintaining the procedure utilizing automated generation control. The circumstance is workable with much less infiltration of RPGs i.e. 10-- 15%. Nevertheless because of enhanced infiltrations of such RPGs (50-- 60%), it will certainly be harder also for traditional nuclear power plant to take part successfully in keeping security of the network. Voltage flickers are thought about as one of one of the most significant concern under high infiltrations of wind power at circulation degree. A lot of the reduction techniques reported in the literary works for decreasing flicker exhausts are used at generation end with control on converters of

variable rate wind power conversion systems (VSWPCS), such as responsive power payment, energetic power control, as well as vibrant volt-var control.

III. PROPOSED SYSTEM

Designing as well as control of clever lots for demand-response administration under raised infiltration of sustainable power generations (RPGS) at circulation degree such that Modelling and also control for a complete bridge voltage resource converter based ES have actually existed for grid bus voltage law is suggested. The raised infiltration of RPGS, especially wind power at circulation degree, is related to damaging effect on voltage high quality. An irreversible magnet simultaneous generator Based variable rate wind power conversion system is designed with a wind rate thinking about stochastic as well as regular impacts. The replicated wind power right into the circulation system generates stochastic and also routine power variants. For the lots need reaction monitoring, full-bridge self-commutated buttons based converters are used to manage clever lots (SLS). These SLS are regulated for taking part in grid bus voltage law and also flickers reduction.

To remove optimal wind power, the generation of power at variable regularity is needed. The PMSG rate is regulated for accomplishing optimal power factor monitoring under adjustment in wind rate. It is acquired via regulated changing of Machine Side Converter (MSC) The MSC is attached in back to back arrangement with Grid- Side Converter (GSC) with usual DC bus. The DC bus is sustained with a capacitor to maintain voltage at its incurable for efficient control of both converters. The MSC enables generation of power at variable regularity making use of control on PMSG rate.

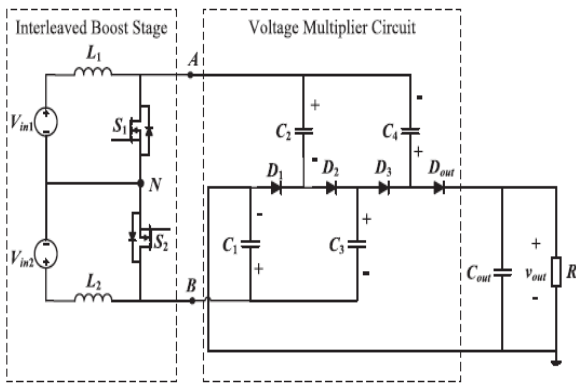


Figure 2: Proposed working model.

IV. SIMULATION RESULTS

The essential thought of the RSC is to use a lone power change structure to perform different operational modes, for instance, sun fueled PV to network (Inverter action, DC-AC), daylight based PV to battery/DC loads (DC-DC errand), battery to organize (DC-AC), battery/PV to cross section (DC to AC) and Grid to battery (AC-DC) for sun controlled PV systems with essentialness storing. This inverter is attempted in a daylight based filled Hybrid AC/DC home which contains both AC and DC nuclear

family stacks. Particular mechanical assemblies are picked by the consonant responsibilities they are imbuing to the transport lattice from an ordinary current house. Beside the beforehand specified, other additional responsibilities are as take after. The electrical parts and sensors are not exactly the same as ref, and normal inductor used for DC/DC errand. The assortment in daylight based radiation is moreover viewed as and sun situated PV-Battery action is checked. The course current is directed due action of the switches in the topology for DC/DC undertaking. Control justification and examining of data sums are also phenomenal in this paper.

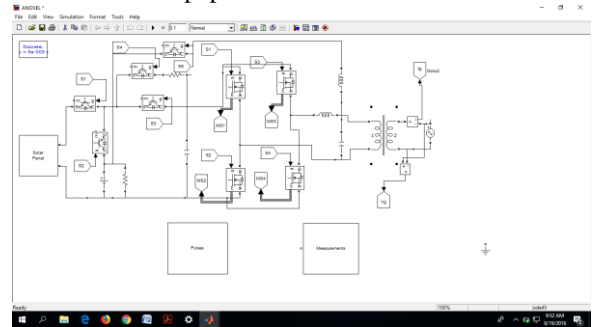


Figure 3: Simulation Circuit.

The consonant commitments of various apparatuses are computed tentatively and given in figs. From the table, current aggregate symphonies mutilations (THDI) are higher for the most part lighting loads like CFL, tube-light and charging loads like PC, battery chargers and so on from this the heaps which infuses more music is supplanted with it DC partners and associated with DC supply side. In this manner, it mitigates music infusion by bypassing these heaps to DC supply side.

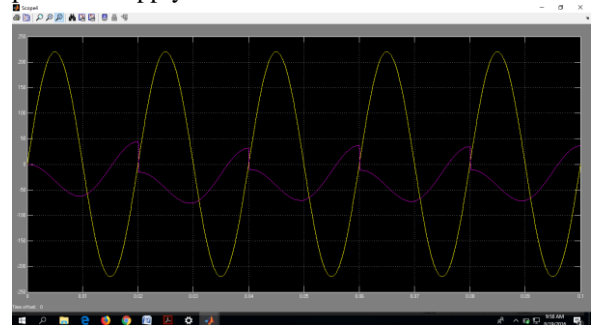


Figure 4: Grid side voltage and current.

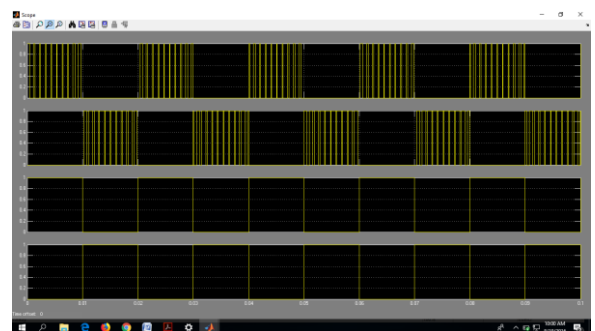


Figure 5: Triggering Pulses.

V. CONCLUSION

This paper proposed a more sensible converter topology for a sun based energized creamer AC/DC home. The central thoughts of this topology is that a singular stage single difference in AC ability to DC and the other path around is used, which improved the capability, diminishes volume and redesigns the relentless quality. The gear use affirms that the prescribed converter topologies would be valuable to decrease critical proportion of sounds in the private feeders without limits Smart Grid. Be that as it may, here simply sun situated PV is considered as wellspring of power, this topology could be also material to wind, vitality parts et cetera.

VI. REFERENCES

- [1]. S. Munir, Li Yun Wei, "Residential Distribution System Harmonic Compensation Using PV Interfacing Inverter,"IEEE Trans. Smart Grid, Vol. 4, No. 2, pp.816-827, June 2013.
- [2]. J. Von Appen, T. Stetz, M. Braun, A. Schmiegel, "Local Voltage Control Strategies for PV Storage Systems in Distribution Grids,"IEEE Trans. Smart Grid, Vol. 5, No. 2, pp.1002-1009, March 2014.
- [3]. A. Arancibia, K. Strunz, F. Mancilla-David, "A Unified Single- as well as Three-Phase Control for Grid Connected Electric Vehicles,"IEEE Trans. Smart Grid, Vol. 4, No. 4, pp.1780-1790, Dec. 2013.
- [4]. B. T. Patterson, "DC, Come Home: DC Microgrids as well as the Birth of the Enernet,"IEEE Power and also Energy Magazine, Vol. 10, No. 6, pp.60-69, Nov.-Dec. 2012.
- [5]. Vagelis Vossos, Karina Garbesi, Hongxia Shen, "Energy cost savings from direct-DC in U.S. domestic structures," Energy and also Buildings, Vol. 68, Part A, January 2014.
- [6]. Nikhil Sasidharan, Nimal Madhu M., Jai Govind Singh, Weerakorn Ongsakul, "A method for a reliable crossbreed AC/DC solar energy Homegrid system based upon the tons qualities of house devices," Energy and also Buildings, Vol. 108, 1 December 2015.
- [7]. B. Mariappan, B. G. Fernandes, M. Ramamoorthy, "An unique single-stage solar inverter utilizing crossbreed energetic filter with power top quality renovation,"40th Annual Conference of the IEEE in Industrial Electronics Society, pp. 5443-5449, Oct. 29 2014-Nov. 1 2014.
- [8]. Chien-Ming Wang; Chia-Hao Yang, "An unique high input power element soft-switching single-stage singlephase AC/DC/AC converter,"2005 IEEE Conference in Vehicle Power and also Propulsion, 7-9 Sept. 2005.
- [9]. K. M. Shafeeque, P. R. Subadhra, "A Novel Single-Phase Single-Stage Inverter for Solar Applications,"2013 Third International Conference on Advances in Computing and also Communications (ICACC), pp. 343-346, 29-31 Aug. 2013.