

Bleed & Purge Valve

High Technology Valve & Flange & Fitting Series



 **SUPERLOK[®]**

 **BMT Co., Ltd.**
www.superlok.com

BLEED VALVES

APPLICATIONS

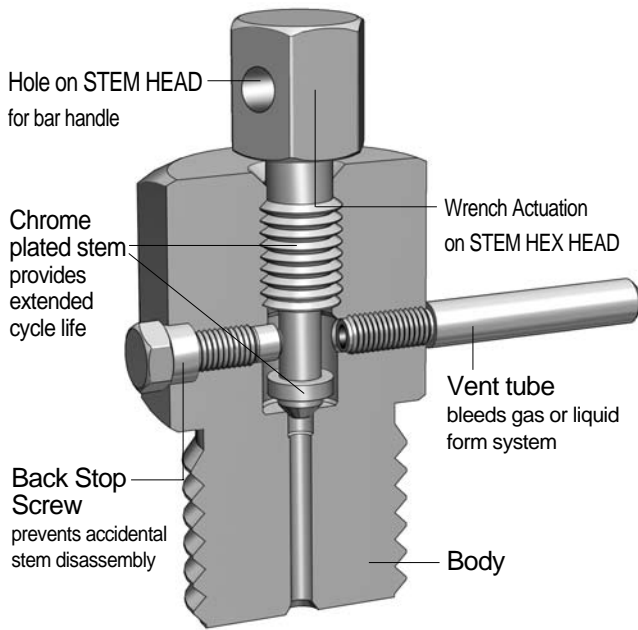
SUPERLOK bleed valves can be used on instrumentation devices such as multivalve manifolds or gauge valves to vent signal line pressure to atmosphere Before removal of an instrument or to assist in calibration of control devices.

FEATURES

- Compact for convenient installation.
- Back stop screw prevents accidental remove of stem.
- Chrome-plated stem threads and tip improves valve life.
- Male NPT or ISO Thread end connection.

CAUTION

When installing a **SUPERLOK** bleed valve, position the vent tube to direct system fluid away from operating personnel. Always open bleed valves slowly. These valves contain no packing, so some fluid weepage will occur when the valves are opened. operating personnel must protect themselves from exposure to system fluids.



MATERIALS OF CONSTRUCTION

Component	Valve Body Materials
	Material Grade/ASTM Specification
Stem	316 SS / A276
Body	316 SS / A276
Back stop screw	316 SS / A276
Vent tube	316 SS / A269

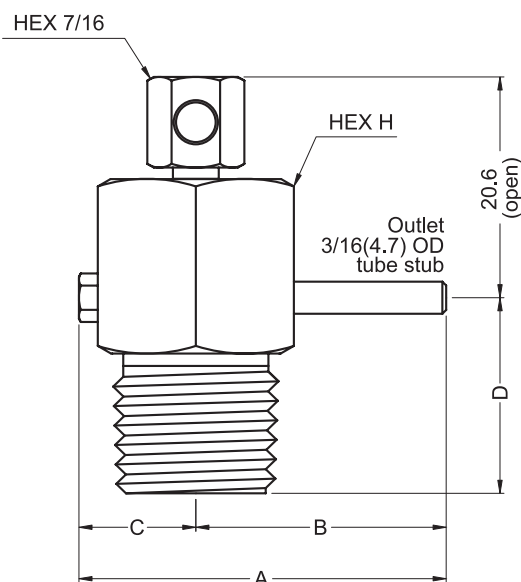
TECHNICAL DATA

Series	Orifice in.(mm)	Pressure-Temperature Rating	
		Temperature °F(°C)	Working Pressure psig (bar)
SBLV	0.125 (3.2)	-65 to 850 °F (-54 to 454 °C)	10,000psig (689bar) @100°F (38°C)

PRESSURE - TEMPERATURE RATINGS

Material	316 SS
Temperature °F(°C)	Working Pressure, psig (bar)
-65(-53) to 100(37)	10,000(689)
200(93)	9,290(640)
300(148)	8,390(578)
400(204)	7,705(530)
450(232)	7,435(512)
500(260)	7,165(493)
600(315)	6,770(466)
650(343)	6,660(458)
700(371)	6,840(446)
750(398)	6,335(436)
800(426)	6,230(429)
850(454)	6,085(419)

TABLE OF DIMENSION



Part Number	End Connection		Cv	Dimensions in.(mm)				
	Inlet	Outlet		A	B	C	D	H
SBLV-M-2N	1/8" Male NPT	O.D. 3/16" tube stub	0.25	1.34 (34.0)	0.94 (23.9)	0.41 (10.4)	0.75 (19.1)	0.625 (15.87)
SBLV-M-4N	1/4" Male NPT			1.47 (37.3)	1.03 (26.3)	0.44 (11.2)	0.88 (22.3)	0.875 (22.22)
SBLV-M-6N	3/8" Male NPT			1.87 (47.6)	1.15 (29.3)	0.72 (18.3)	1 (25.4)	1.125 (28.57)
SBLV-M-8N	1/2" Male NPT							
SBLV-M-12N	3/4" Male NPT							

Dimensions are for reference only, subject to change.

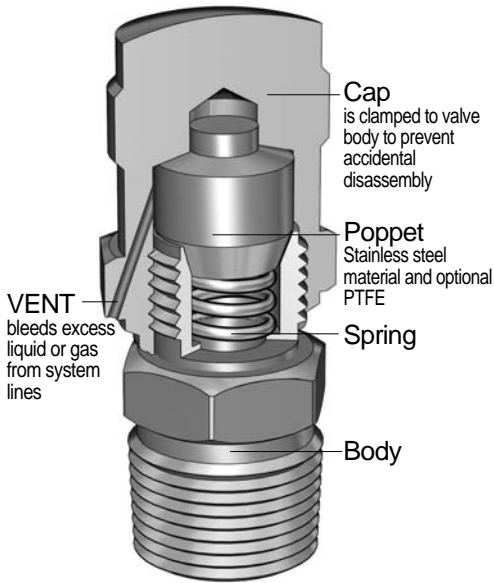
TESTING

- Each valve is tested with nitrogen @1000psig(69bar)to max leak rate of 0.1 SCCM.
- Hydrostatic shell test is performed at 1.5times the working pressure as an option.

OPTION

If require 316SS bar handle, add-BH to the end of part number.
ex) SBLV-M-4N-BH

PURGE VALVES



APPLICATIONS

SUPERLOK purge valves are manual bleed, vent, or drain valves.

One-quarter turn with a wrench from finger-tight obtains leaktight closure on first makeup.

Snugging with a wrench ensures closure to the rated pressure with subsequent makeups.

FEATURES

- Compact for convenient installation.
- Vent hole is bled excessive liquid or gas from system lines.
- Cap is crimped to valve body to prevent accidental disassembly.
- Variety of end connections; **SUPERLOK** tube fittings, NPT and ISO threads.

CAUTION

When installing a **SUPERLOK** purge valve, position the vent hole to direct system fluid away from operating personnel. The vent hole rotates with the cap. changing the direction of discharge as the cap is turned. Always open purge valves slowly. These valves contain no packing, so some fluid weepage will occur when the valves are opened. operating personnel must protect themselves from exposure to system fluids.

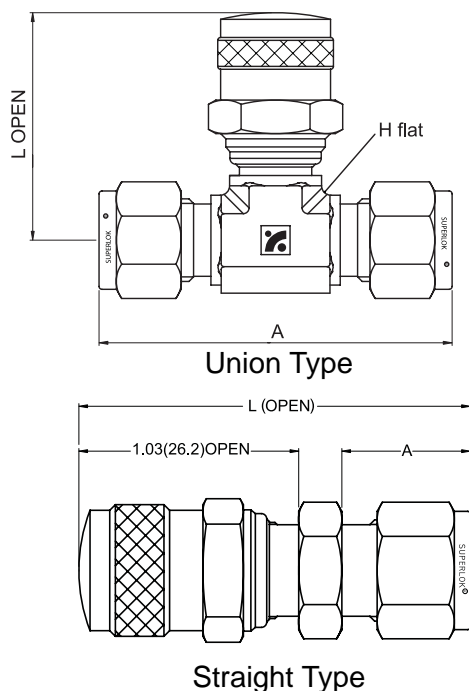
MATERIALS OF CONSTRUCTION

Component	Valve Body Materials
	Material Grade/ASTM Specification
Cap	316 SS / A276
Body	316 SS / A276
Poppet	316 SS / A276
Spring	304 SS

TECHNICAL DATA

Series	Pressure - Temperature Rating	
	Temperature °F (°C)	Working Pressure psig (bar)
SPUV	-65 to 600 °F (-54 to 315 °C)	4,000psig (275bar) @ 100 °F (38°C)

TABLE OF DIMENSION



PRESSURE - TEMPERATURE RATINGS

Material	316 SS
Temperature °F(°C)	Working Pressure, psig (bar)
-65(-53) to 100(37)	4,000(275)
150(65)	3,720(256)
200(93)	3,440(237)
300(148)	3,105(213)
350(176)	2,975(204)
400(204)	2,850(196)
450(232)	2,750(189)
500(260)	2,650(182)
600(315)	2,500(172)

Union Type

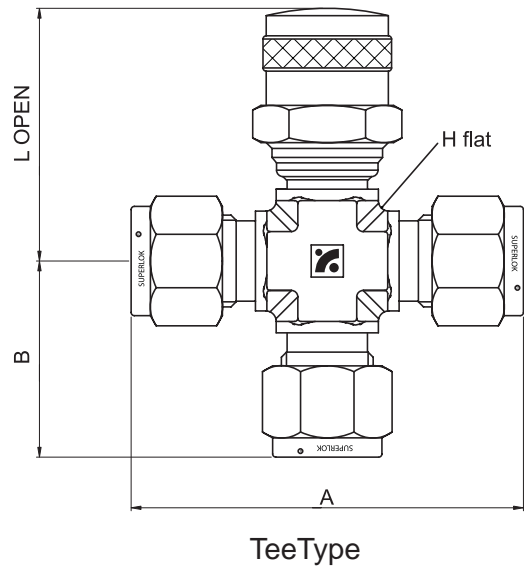
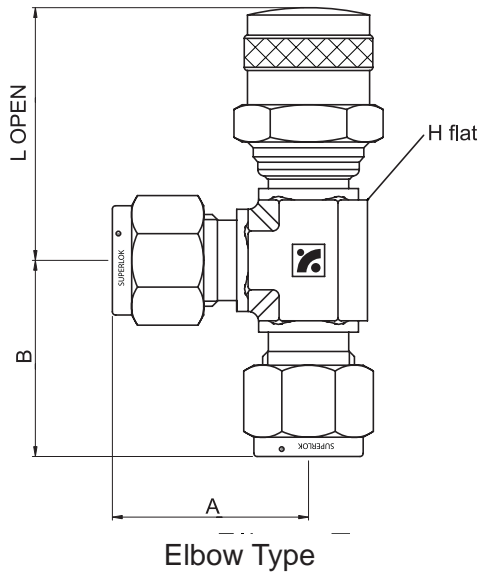
Part Number	Inlet End Connection	Dimensions in.(mm)			
		L	A	H	
S P U V	S-4-UT	1/4" Female NPT	1.49(38.0)	2.26(57.5)	0.63(15.9)
	S-6-UT	3/8" Female NPT	1.49(38.0)	2.40(61.0)	0.63(15.9)
	S-8-UT	1/2" Female NPT	1.61(41.0)	2.82(71.6)	0.81(20.6)

Straight Type

Part Number	Inlet End Connection	Dimensions in.(mm)		
		L	A	
S	F-2N	1/8" Female NPT	1.56 (39.6)	0.53 (13.5)
	F-4N	1/4" Female NPT	1.75 (44.4)	0.72 (18.3)
	F-6N	3/8" Female NPT	1.81 (46.0)	0.78 (19.8)
	F-8N	1/2" Female NPT	1.98 (50.3)	0.97 (24.6)
	M-2N	1/8" Male NPT	1.62 (41.1)	0.38 (9.7)
	M-4N	1/4" Male NPT	1.81 (46.0)	0.56 (14.2)
	M-6N	3/8" Male NPT	1.84 (46.7)	0.56 (14.2)
	M-8N	1/2" Male NPT	2.09 (53.1)	0.75 (19.1)
V	S-2	1/8" SUPERLOK	1.84 (46.7)	0.59 (15.0)
	S-4	1/4" SUPERLOK	1.94 (49.3)	0.69 (17.5)
	S-6	3/8" SUPERLOK	2.03 (51.6)	0.75 (19.1)
	S-8	1/2" SUPERLOK	2.19 (55.6)	0.88 (22.4)
U	S-6M	6mm SUPERLOK	1.94 (49.3)	0.69 (17.5)
	S-8M	8mm SUPERLOK	2.00 (50.8)	0.72 (18.3)

Dimensions are for reference only, subject to change.

TABLE OF DIMENSION



Part Number	Inlet End Connection	Dimensions in.(mm)				
		L	A	B	H	
S P U V	S-4-ET	1/4" Female NPT	1.49(38.0)	1.13(28.8)	1.13(28.8)	0.63(15.9)
	S-6-ET	3/8" Female NPT	1.49(38.0)	1.20(30.5)	1.20(30.5)	0.63(15.9)
	S-8-ET	1/2" Female NPT	1.61(41.0)	1.41(35.8)	1.41(35.8)	0.81(20.6)

Part Number	Inlet End Connection	Dimensions in.(mm)				
		L	A	B	H	
S P U V	S-4-TT	1/4" Female NPT	1.49(38.0)	2.26(57.5)	1.13(28.8)	0.63(15.9)
	S-6-TT	3/8" Female NPT	1.49(38.0)	2.40(61.0)	1.20(30.5)	0.63(15.9)
	S-8-TT	1/2" Female NPT	1.61(41.0)	2.82(71.6)	1.41(35.8)	0.81(20.6)

Dimensions are for reference only, subject to change.

ORDERING INFORMATION

SPUV - S - 4 - UT - SS
1 2 3 4 5

1 Valve Series
SPUV

2 End Connection
S : SUPERLOK Tube Fitting
F : Female Thread
M : Male Thread

3 End Connection Size
- Tube O.D Designation

Tube O.D (inch)	1/4	3/8	1/2
Designation	4	6	8
Tube O.D (mm)	6	10	12
Designation	6M	10M	12M

- Pipe Thread Designation

Size (inch)	1/8	1/4	3/8	1/2
BSPT	2R	4R	6R	8R
NPT	2N	4N	6N	8N

4 Pattern Designator
Nil : Straight Type
UT : Union Type
ET : Elbow Type
TT : Tee Type

5 Body Material
SS : 316 Stainless Steel
B : Brass