

32"	HG32NF690GFXZA	43"	HG43NF690GFXZA
40"	HG40NF690GFXZA	49"	HG49NF690GFXZA

A premium guest experience that fits your budget.

NF690 Series Hospitality TVs

Leverage the power of Samsung TVs to upgrade your guests' in-room experience.

You go to great lengths to ensure comfort and convenience for your guests. Make sure that includes an in-room experience that's on par with what they have at home. That's easy to do with the Samsung NF690 Series hospitality TVs. The clear, sharp picture that Samsung is known for will communicate a premium experience from the moment they're powered on. SMART TV capability allows guests to watch movies and TV shows from streaming services, and push content from their personal devices to the big screen. With IP-based hospitality management solutions, hotel operators also enjoy more efficient guest interaction. And each NF690 display is powered by the new Tizen OS, which enables system integrators to create faster, more powerful and more secure content. Enhanced picture quality, SMART connectivity and Tizen OS. The NF690 is designed to deliver a more impressive in-room experience.



Key Features



Direct-Lit LED technology for a premium, yet affordable, experience.

Direct-lit LED technology delivers a premium, Full HD viewing experience. Colors are rich and bright, images and text are crisp and sharp. And direct-lit LED technology does it with an efficiency that makes it more affordable. In fact, it's possible to upgrade your rooms to LED technology for a cost comparable to traditional CCFL technology.



New Tizen OS with greater power and speed.

Samsung's NF Series is powered by our new Tizen OS. It allows system integrators to create more advanced graphics with faster rendering speeds, for a sleeker, more impressive viewing experience. Tizen also offers greater security to ensure your business technology remains safe and protected.



Improved H.Browser for more streamlined operations.

Enabled by Tizen, Samsung's H.Browser allows greater flexibility for content development. System integrators have the opportunity to create even smarter hospitality solutions.



Samsung LYNK™ REACH 4.0 content management solution.

Samsung's LYNK REACH 4.0 is a complete content management solution that accommodates coaxial, LAN and Wi-Fi infrastructures to amplify hotel management, monitoring and guest service functions. LYNK REACH 4.0 enriches the guest experience with efficiency-enhancing technology that transforms the in-room display into a comprehensive digital experience.



Samsung LYNK HMS turns rooms into smart rooms.

Samsung's LYNK Hospitality Management Solution links smart devices and seamlessly integrates them into your management system. With LYNK HMS, guests can control lighting, drapes and room temperature, all from their Samsung TV remote. By leveraging the in-room TV, hotel staff can remotely check room occupancy, cleaning status and room security. And the Energy Management System allows real-time monitoring and remote control of heating and cooling, which can greatly reduce energy costs while also improving guest comfort.

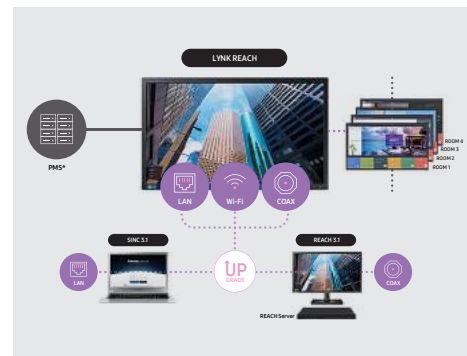
A better environment and easier management through Samsung LYNK.™

Samsung LYNK REACH 4.0 CMS delivers more than just content.

Control content on hundreds of TVs at once. Eliminate room-by-room visits to each guest room by using a single-location remote solution. The REACH (RF) Server delivers updated firmware and other settings to TVs through RF signals. REACH (IP) is also available for centralized control of SMART hospitality TVs without the need of additional hardware. Updates are simple and simultaneous, so there's no need to go from room to room to update each display with USB Cloning. This way, your staff has more time to focus on other ways of improving the guest experience.

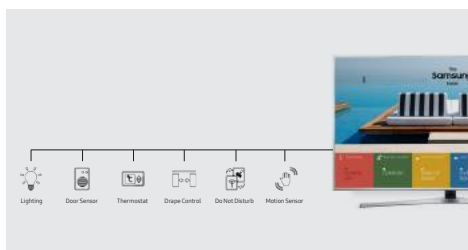
Reinforce your brand. Extend your hospitality beyond your front lobby and into your rooms for a tailored, personalized guest experience. With the fully customizable Graphical User Interface (GUI), you can choose from the pre-built templates or upload your own assets to develop a GUI from scratch. Plus, Samsung has a network of certified REACH integration partners who can also provide turnkey solutions.

Keep your guests entertained. LYNK REACH provides channel management capabilities including a customizable interactive program guide. Additionally, with third-party casting services, your guests can connect their mobile devices to the in-room screen. With a few easy steps, they can access 1000+ apps for an exceptional entertainment experience.



Samsung LYNK HMS 2.0 turns rooms into smart rooms.

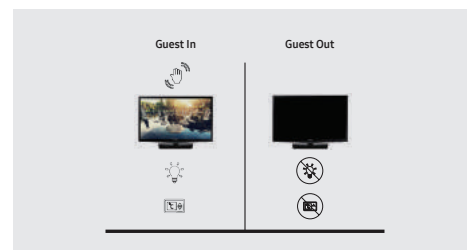
Samsung's LYNK Hospitality Management Solution links smart devices and seamlessly integrates them into your management system.



Guests can create their ideal room environment using the Samsung TV remote. With LYNK HMS, guests can control lighting, drapes and room temperature, all from their Samsung TV remote. Room preferences can be saved, then quickly activated with a single push of a button. Guests can also activate a digital Do Not Disturb, which automatically alerts the entire hotel staff.



LYNK HMS streamlines daily operations for hotel staff. By leveraging the in-room TV, hotel staff can remotely check room occupancy, cleaning status and room security. And it can be done either from a single central location or from a mobile app. Data can also be pushed to the HMS mobile app, for real-time alerts to housekeeping staff, or for fast response to other guest requests.



More energy efficiency through the Energy Management System. The EMS allows real-time monitoring and remote control of heating and cooling, which can greatly reduce energy costs while also improving guest comfort. Before check-in, hotel staff can remotely set temperatures in blocks of rooms at a time. If there's a heat wave or a cold spell, temperatures can be changed easily. For added guest comfort and greater energy efficiency, sensors in each TV can detect occupancy and adjust heat and air settings to guest preferences as they return from outings.

Digital Rights Management (DRM)

Samsung LYNK™ HD Content Decryption DRM (IP/RF)

Samsung's software-based DRM technology is integrated into the entire Samsung Hotel TV line. Samsung LYNK™ offers a robust solution to unlock premium HDTV content from content providers such as cable, satellite and VOD providers, with maximum efficiency and security.

Pro:Idiom™ HD Content Decryption DRM (IP/RF)

The NF690 Series is equipped with Pro:Idiom™ MPEG4 technology, making the TVs compatible with most major VOD/PPV systems. You can offer your guests premium HDTV content from cable, satellite or video-on-demand services with no optional cards or external box needed.

Verimatrix™ HD Content Decryption DRM (IP)

IPTV-IP Multicast DRM is used in conjunction with Samsung H.Browser to unlock premium HDTV content from content providers such as cable and satellite providers.



Connections

AnyNet+ (HDMI – CEC)

This Samsung protocol allows the user to control other HDMI devices connected to the TV display, such as DVD players, PC computers and Soundbars.

ConnectShare™ (USB 2.0)

Connect a thumb drive or digital camera quickly and easily. User-friendly interface allows access to videos, a music playlist and pictures via the remote.

Hotel TV (RJ-12/IR Pass Through)

Allows you to connect an interactive STB/SBB (Set Top Box/Set Back Box).

Hotel TV RJ45

Connection to hotel LAN using custom H-browser or Samsung LYNK SINC.

Interactive Compatibility System



Set-Top/Set-Back Box and Remote Jack Panel (RJP) Compatibility



Samsung Smart View

Enjoy your favorite digital content from any of your DLNA-connected Samsung Devices. Samsung Smart View lets you wirelessly access and share content between your Samsung devices regardless of where you are. And there's no need for any cables or connected devices. It's also equipped with cloud technology, so you can upload your favorite content to a central web storage account and access it wherever you are.

Wi-Fi®

With built-in Wi-Fi, no additional equipment is needed to connect with an existing wireless router in your hotel network and start accessing Samsung Apps or other Smart TV features.

Management and Guest Convenience

Anti-Theft Battery Cover

Battery door is secured, ensuring batteries remain in the remote controller.

Channel Remapping

Allows the hotelier to change channel and TV source to a different channel.

Clock On Timer and Alarm Key

Allows guests to program their TVs to turn on as a wake-up alarm.

Closed Captioning

A text display of all audio content, including spoken dialog and non-speech information such as the identity of the speakers and symbols for sound effects and music.

Hotel Channel List

Guest master channel listing of program content. This will display content in analog or HD.

Hotel Logo Display with Time Out Setting

Display hotel logo bitmap files as a greeting startup display.

Hotel Mode Plug & Play

Interactive and Stand-Alone modes available.

Lockout Controls

The hotelier can enable front panel and menu display lock-outs.

Multi-Code Remote

Eliminates interference when two or more TVs are used in close proximity to each other.

On Screen Display Language

Choose English/French/Spanish.

Power On Status Setting

Settings include Power Always On, Last Option, Standby, or Virtual Standby.

Samsung H.Browser

As an IP-based open platform for hospitality display management solution, H.Browser is fully customizable and highly flexible, so luxury hotels can deliver state-of-the-art services. Powered by Samsung Tizen OS, H.Browser offers VOD and world-renowned applications for an incomparable in-room experience. Samsung provides a software development kit (SDK) that enables System Integrators to build superior customized hotel TV solutions with an intuitive UI and powerful features.

Built on the HTML5 standard, H.Browser is a true Smart TV solution allowing guests to enjoy interactive services, features and VOD, as well as enabling System Integrators to easily develop more customized solutions with greater flexibility.

Sleep Timer

Allows guests to set TV turn-off time in 30-minute intervals up to 180 minutes.

USB Cloning

A quick and easy way to copy the ideal settings off one television to others on the property. Saves time and helps provide a consistent viewing experience for all televisions.

Picture and Audio

Auto Volume Limiter

During initial product setup, minimum and maximum volume levels can be locked to help minimize disturbance to other hotel guests.

Music Mode (Input: HDMI/PC/AV/Component)

Allows audio feedback when picture is muted.

Premium Slim Direct-Lit LED Technology

Direct-lit LED technology provides the brilliance and energy savings advantages of LED technology, along with the uniform brightness typical of CCFL displays. And it does it all with an efficiency that makes it a more affordable technology. In fact, it's possible to upgrade your rooms to LED technology for a cost comparable to CCFL technology. When you add the energy savings of up to 50% that LED offers over CCFL, you end up with the perfect solution for both you and your guests.

Quad Core Processor

Quad Core makes multitasking fast. Browse the web faster and quickly. Hotel personnel can easily download apps to the TV.

Samsung Soundbar Compatible

Samsung Hospitality Displays enable Soundbar compatibility by supporting HDMI-CEC. When you connect the Soundbar to the Samsung Hospitality Display with an HDMI cable, the TV audio settings and menu lock feature are automatically applied, so you don't have to set up the Soundbar separately. You can also prevent guests from changing the settings. With a single remote, guests can control both the TV and Soundbar simultaneously.

Swivel (20/20, 60/60, 90/90) Stands with Lockdown

Pedestal stands rotate with 20/20, 60/60 and 90/90 degree stops integrated in the lockdown mount bases.

FHD 1920 x 1080

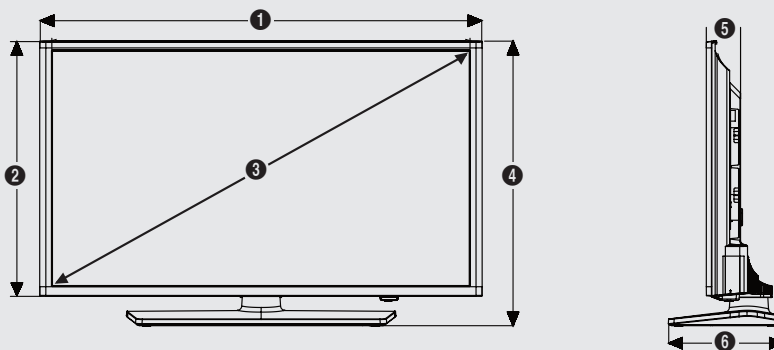
NF690 Series TVs feature FHD resolution, for sharp, clear video and other content.

Warranty

Hospitality Warranty

2-year parts and 2-year labor warranty backed by the Samsung Hospitality Hotline at 1-866-894-0524. Optional professional installation, accessories and extended warranty are available.

NF690 Series Dimensions



32" | HG32NF690GFXZA - 1080p

1	2	3	4	5	6
29.2"	17.2"	32.0"	18.8"	2.7"	7.6"

43" | HG43NF690GFXZA - 1080p

1	2	3	4	5	6
38.8"	22.6"	43.0"	24.6"	2.9"	8.9"

40" | HG40NF690GFXZA - 1080p

1	2	3	4	5	6
36.3"	20.9"	40.0"	22.9"	2.9"	8.9"

49" | HG49NF690GFXZA - 1080p

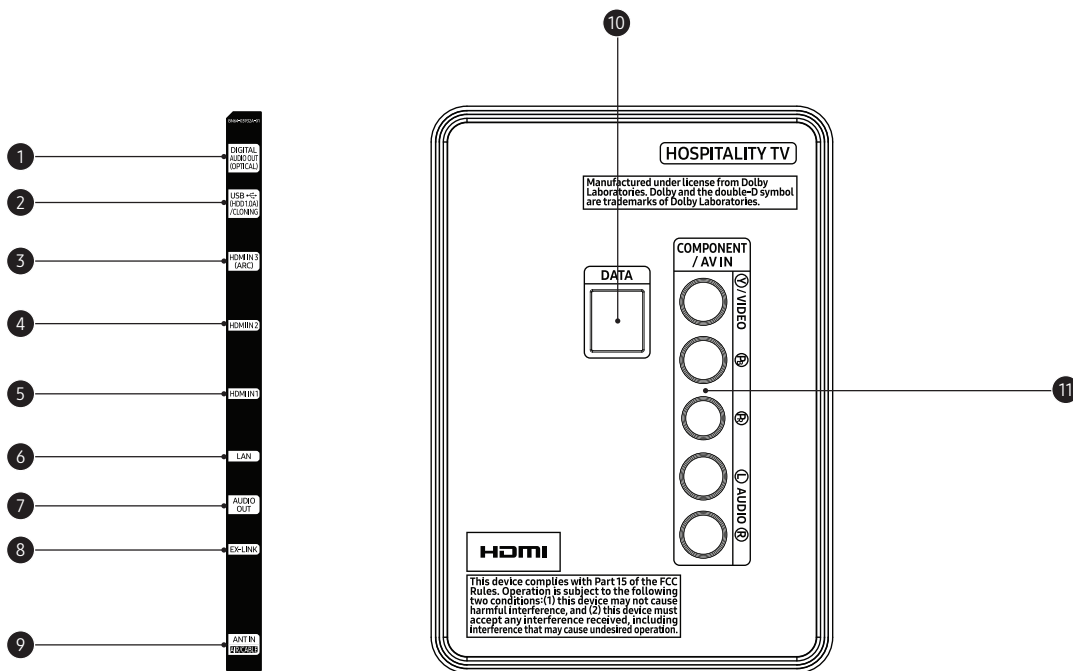
1	2	3	4	5	6
44.0"	25.6"	49.0"	27.6"	2.9"	8.9"



NF690 Series Connectivity

HG32NF690GFXZA, HG40NF690GFXZA, HG43NF690GFXZA, HG49NF690GFXZA

- | | | |
|--------------------------------|----------------------|-----------------------------|
| 1. Digital Audio Out (Optical) | 5. HDMI In 1 | 9. Antenna In (Air / Cable) |
| 2. USB (HDD 1.0A) / Cloning | 6. LAN (RJ45) | 10. Data (RJ12) |
| 3. HDMI In 3 | 7. Audio Out | 11. Component / AV In |
| 4. HDMI In 2 | 8. Ex-Link (RS-232C) | |



Samsung NF690 Series Hospitality TVs

Samsung NF690 Series Key Specifications For complete product specifications, visit samsung.com/hospitality

		HG32NF690GFXZA	HG40NF690GFXZA	HG43NF690GFXZA	HG49NF690GFXZA
Display	Backlight	LED	LED	LED	LED
	Screen Size (Diagonal)	32"	40"	43"	49"
	Resolution	1920 x 1080 (FHD)	1920 x 1080 (FHD)	1920 x 1080 (FHD)	1920 x 1080 (FHD)
Video	Picture Engine	HyperReal	HyperReal	HyperReal	HyperReal
	PQI (Picture Quality Index)	400	400	400	400
	Wide Color Enhancer (Plus)	Yes	Yes	Yes	Yes
	Film Mode	Yes	Yes	Yes	Yes
	Natural Mode Support	Yes	Yes	Yes	Yes
Audio	Dolby Digital Plus	Yes	Yes	Yes	Yes
	Sound Output (RMS)	10W (L:5W, R:5W)	20W (L:10W, R:10W)	20W (L:10W, R:10W)	20W (L:10W, R:10W)
	Speaker Type	2CH (Down Firing + Base Reflex)	2CH (Down Firing + Base Reflex)	2CH (Down Firing + Base Reflex)	2CH (Down Firing + Base Reflex)
	Bluetooth Audio	Yes	Yes	Yes	Yes
Smart Features	Smart TV Type	Smart	Smart	Smart	Smart
	Web Browser	Yes	Yes	Yes	Yes
	Samsung Smart View	Yes	Yes	Yes	Yes
	Mobile to TV - Mirroring, DLNA	Yes	Yes	Yes	Yes
	Wired TV On - Samsung WOL	Yes	Yes	Yes	Yes
Features	Processor	Quad-Core	Quad-Core	Quad-Core	Quad-Core
	Accessibility	Voice Guide / Enlarge / High Contrast / Multi-Output Audio	Voice Guide / Enlarge / High Contrast / Multi-Output Audio	Voice Guide / Enlarge / High Contrast / Multi-Output Audio	Voice Guide / Enlarge / High Contrast / Multi-Output Audio
	Digital Clean View	Yes	Yes	Yes	Yes
	Auto Channel Search	Yes	Yes	Yes	Yes
	Auto Power Off	Yes	Yes	Yes	Yes
	Caption (Subtitle)	Yes	Yes	Yes	Yes
	ConnectShare™ (HDD)	Yes	Yes	Yes	Yes
	ConnectShare™ (USB 2.0)	Yes	Yes	Yes	Yes
	EPG	Yes	Yes	Yes	Yes
	Game Mode	Yes	Yes	Yes	Yes
	OSD Language	English, Spanish, French	English, Spanish, French	English, Spanish, French	English, Spanish, French
	BT HID Support	Yes	Yes	Yes	Yes
	USB HID Support	Yes	Yes	Yes	Yes
	V-Chip	Yes	Yes	Yes	Yes
	System	Digital Broadcasting	ATSC / ClearQAM	ATSC / ClearQAM	ATSC / ClearQAM
Analog Tuner		Yes	Yes	Yes	Yes
Hospitality Features	Samsung LYNK™ HMS Compatibility	Yes	Yes	Yes	Yes
	H.Browser	Yes	Yes	Yes	Yes
	Samsung LYNK™ REACH (IP)	REACH 4.0	REACH 4.0	REACH 4.0	REACH 4.0
	Samsung LYNK™ REACH (RF)	REACH 4.0	REACH 4.0	REACH 4.0	REACH 4.0
	Hospitality Home Menu	Home Menu 2017	Home Menu 2017	Home Menu 2017	Home Menu 2017
	Bluetooth Music Player (Mobile → TV)	Yes	Yes	Yes	Yes
	Hospitality Plug & Play (Easy Set-up)	Yes	Yes	Yes	Yes
	Auto Source Mode	Yes	Yes	Yes	Yes
	Power On Mode	Yes	Yes	Yes	Yes
	Hotel Channel List	Yes	Yes	Yes	Yes
	Channel Menu Display	Yes	Yes	Yes	Yes
	Mixed Channel List (ATSC, DVB-T / T2 / C / S2, Analog)	Yes	Yes	Yes	Yes
	My Channel	Yes	Yes	Yes	Yes
	Energy Saving Mode (BLU Control)	Yes	Yes	Yes	Yes
	Logo Display with Time Out Setting (BMP / Movie)	Yes	Yes	Yes	Yes
	Welcome Message	Yes	Yes	Yes	Yes
	RJ12 / IR Pass Through	Yes	Yes	Yes	Yes
	Clock Back Up Supply	Yes	Yes	Yes	Yes
	Multi Code Remote Control	Yes	Yes	Yes	Yes
	Sound Bar Compatibility	Yes	Yes	Yes	Yes
	Music Mode (Input: PC / AV / Component / HDMI)	Yes	Yes	Yes	Yes
	Music Mode Backlight On / Off	Yes	Yes	Yes	Yes
	USB Cloning	Yes	Yes	Yes	Yes
	Smovie Compatibility	Yes	Yes	Yes	Yes
	Soft AP	Yes	Yes	Yes	Yes
	On / Off Timer (Schedule)	Yes	Yes	Yes	Yes
	Alarm/Wake-Up Timer	Yes	Yes	Yes	Yes
Samsung LYNK™ DRM RF	Yes	Yes	Yes	Yes	
Samsung LYNK™ DRM IP	Yes	Yes	Yes	Yes	
Pro:Idiom RF	Yes	Yes	Yes	Yes	
Pro:Idiom IP	Yes	Yes	Yes	Yes	
Security Mode	Yes	Yes	Yes	Yes	
S/W EPG (Solution EPG)	Yes	Yes	Yes	Yes	

Samsung NF690 Series Hospitality TVs

Samsung NF690 Series Key Specifications

For complete product specifications, visit samsung.com/hospitality

		HG32NF690GFXZA	HG40NF690GFXZA	HG43NF690GFXZA	HG49NF690GFXZA
Connectivity	HDMI (Side / Rear)	3 / 0	3 / 0	3 / 0	3 / 0
	USB (Side / Rear)	1 / 0	1 / 0	1 / 0	1 / 0
	Component In (Y/Pb/Pr) (Side / Rear)	0 / 1	0 / 1	0 / 1	0 / 1
	Composite In (AV) (Side / Rear)	0 / 1 (Common Use for Component Y)	0 / 1 (Common Use for Component Y)	0 / 1 (Common Use for Component Y)	0 / 1 (Common Use for Component Y)
	Ethernet (LAN) (Side / Rear)	1 / 0	1 / 0	1 / 0	1 / 0
	Audio Out (Mini Jack / LR) (Side / Rear)	1 / 0	1 / 0	1 / 0	1 / 0
	Digital Audio Out (Optical) (Side / Rear)	1 / 0	1 / 0	1 / 0	1 / 0
	RF In (Terrestrial/Cable Input/Satellite Input) (Side / Rear)	1 / 0	1 / 0	1 / 0	1 / 0
	Ex-Link (RS-232C) (Side / Rear)	1 / 0	1 / 0	1 / 0	1 / 0
	HDMI A / Return Ch. Support	Yes	Yes	Yes	Yes
	HDMI Quick Switch	Yes	Yes	Yes	Yes
	Wireless LAN Built-in	Yes	Yes	Yes	Yes
	Anynet+ (HDMI-CEC)	Yes	Yes	Yes	Yes
Hospitality Input and Output	RJ12 (Side/Rear)	0 / 1	0 / 1	0 / 1	0 / 1
	RJP (Remote Jackpack) (Side / Rear)	1 / 0	1 / 0	1 / 0	1 / 0
Design	Bezel Type	NNB	NNB	NNB	NNB
	Slim Type	58mm	58mm	58mm	58mm
	Front Color	Black (HairLine)	Glossy Black	Glossy Black	Glossy Black
	Stand Type	Square	Square	Square	Square
	Swivel (Left / Right)	Yes (20/20, 60/60, 90/90)	Yes (20/20, 60/60, 90/90)	Yes (20/20, 60/60, 90/90)	Yes (20/20, 60/60, 90/90)
Eco	Energy Efficiency Class	Yes	Yes	Yes	Yes
	Eco Sensor	Yes	Yes	Yes	Yes
Power	Power Supply	AC 110-120V 50/60Hz	AC 110-120V 50/60Hz	AC 110-120V 50/60Hz	AC 110-120V 50/60Hz
	Power Consumption (Max.) (Watts)	65	98	100	130
	Power Consumption (Standby) (Watts)	0.5	0.5	0.5	0.5
	Power Consumption (Typical) (Watts)	28	35	39	45
Dimensions (W x H x D)	Set Size without Stand (mm / in.)	741.0 x 436.2 x 69.0 29.2" x 17.2" x 2.7"	922.7 x 531.0 x 72.6 36.3" x 20.9" x 2.9"	985.5 x 574.8 x 73.4 38.8" x 22.6" x 2.9"	1118.8 x 650.0 x 74.2 44.0" x 25.6" x 2.9"
	Set Size with Stand (mm)	741.0 x 478.2 x 192.6 29.2" x 18.8" x 7.6"	922.7 x 580.4 x 226.4 36.3" x 22.9" x 8.9"	985.5 x 625.4 x 226.4 38.8" x 24.6" x 8.9"	1118.8 x 700.1 x 226.4 44.0" x 27.6" x 8.9"
	Package Size (mm)	928.0 x 528.0 x 147.0 36.5" x 20.8" x 5.8"	1111.0 x 643.0 x 161.0 43.7" x 25.3" x 6.3"	1180.0 x 674.0 x 161.0 46.5" x 26.5" x 6.3"	1336.0 x 757.0 x 171.0 52.6" x 29.8" x 6.7"
Weight	Set Weight without Stand (kg / lbs)	4.2 kg / 9.3 lbs	6.8 kg / 15.0 lbs	7.8 kg / 17.2 lbs	9.9 kg / 21.8 lbs
	Set Weight with Stand (kg / lbs)	5.7 kg / 12.6 lbs	9.8 kg / 21.6 lbs	10.8 kg / 23.8 lbs	12.9 kg / 28.4 lbs
	Package Weight (kg / lbs)	8.2 kg / 18.1 lbs	13.4 kg / 29.5 lbs	14.7 kg / 32.4 lbs	17.7 kg / 39.0 lbs
Accessories	Remote Controller Model	TM1240A	TM1240A	TM1240A	TM1240A
	Battery (for Remote Control)	Yes	Yes	Yes	Yes
	Vesa Wall Mount Support	Yes	Yes	Yes	Yes
	Power Cable	Yes	Yes	Yes	Yes
Hospitality Accessories	Quick Install Guide	Yes	Yes	Yes	Yes
	Data Cable	Yes	Yes	Yes	Yes
	Stand Mount Kit	Yes	Yes	Yes	Yes
	Stand Security Screws	Yes	Yes	Yes	Yes
	Screwed Battery Cover (Remote Control)	Yes	Yes	Yes	Yes
VESA Standard	VESA Size (mm)	100 x 100	200 x 200	200 x 200	200 x 200
	Wall Mount Screw Size	M4	M8	M8	M8
	Wall Mount Screw Depth (mm)	20.9-21.9	20-21	20-21	20



To help select the right Samsung Hospitality Television for your property,
and for price and availability, visit ProTVSolutions.com or call 888-866-9981.

SAMSUNG