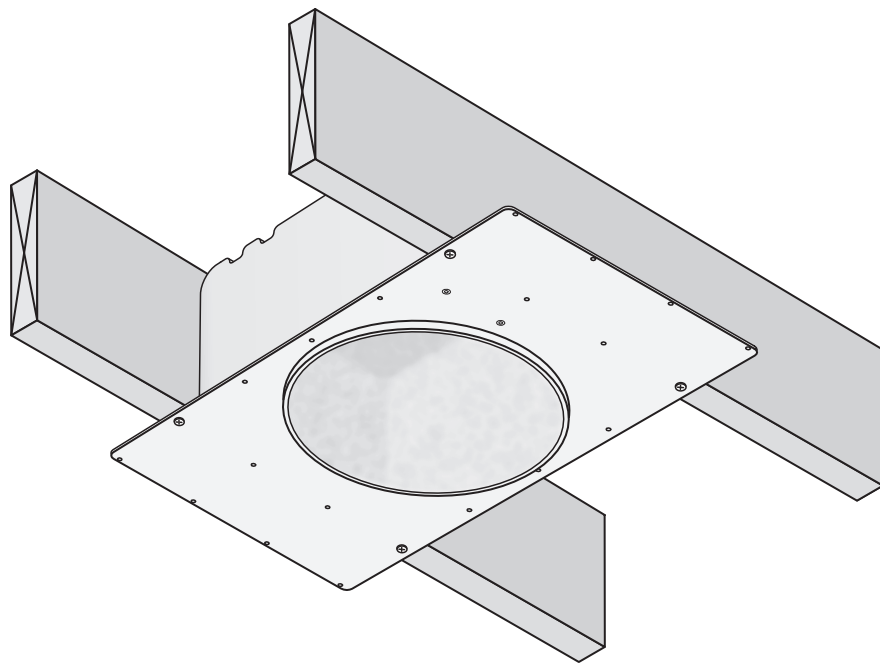




FRB68
Owner's Manual

FRB68



Snell





Specifications

FRB68

Speaker Compatibility AMC 680

Hole Cutout $9\frac{3}{4}$ "

Can Depth $7\frac{1}{4}$ "

Plate Dimension (W x L) $23\frac{3}{4}$ " x 13"

Enclosure Volume 0.62 ft³

Description

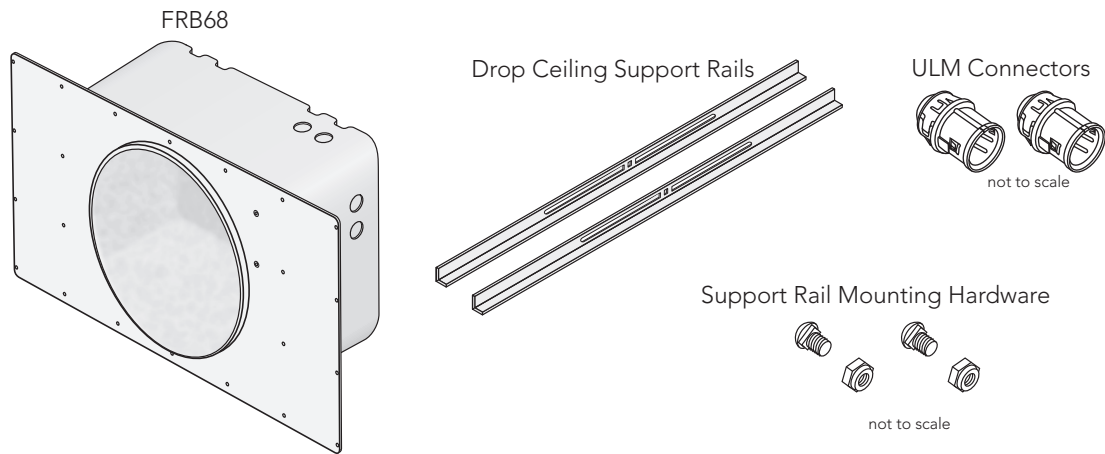
The FRB68 model covered in the manual were designed to accommodate the Snell Acoustics AMC 680r round in-ceiling loudspeakers. They meet the stringent requirements of electrical codes throughout the country for fire and plenum rated enclosures. Such enclosures are often required by building codes in commercial applications and in town homes or condominiums.

Each FRB model is made from heavy gauge steel that is both heat and fire resistant. A 2" layer of insulation lines the inside of the enclosure and provides up to 10dB of acoustical isolation between adjoining rooms. Each unit also includes internal mounting posts for 70/100 volt transformers for use in commercial applications or home audio systems where many speakers are used or where speaker wires must be run over long distances.

Additional Key Features

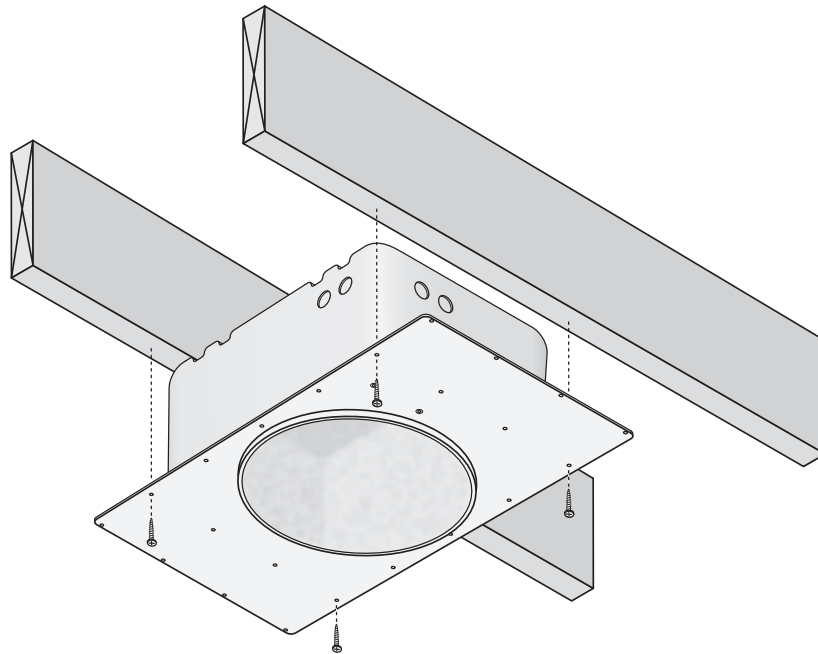
- The FRB models meet the following agency requirements:
 - UL 2043
 - UL 263
 - ATSM E119
 - NFPA251
 - CAN/ULC S101/M89
 - UBC 7-1
- Standard 3/8" knockouts for the two supplied ULM connectors
- Color coded raised flange around the speaker opening to aid location after drywall installation –
 - Orange for 8" speakers
- The FRB68 can be mounted in 16" or 24" stud bays.
- Adjustable support bars are supplied that allow easy installation in drop tile ceilings
- An integrated safety tab is mounted on the back of the cabinet for an installer-supplied safety cable

Parts List



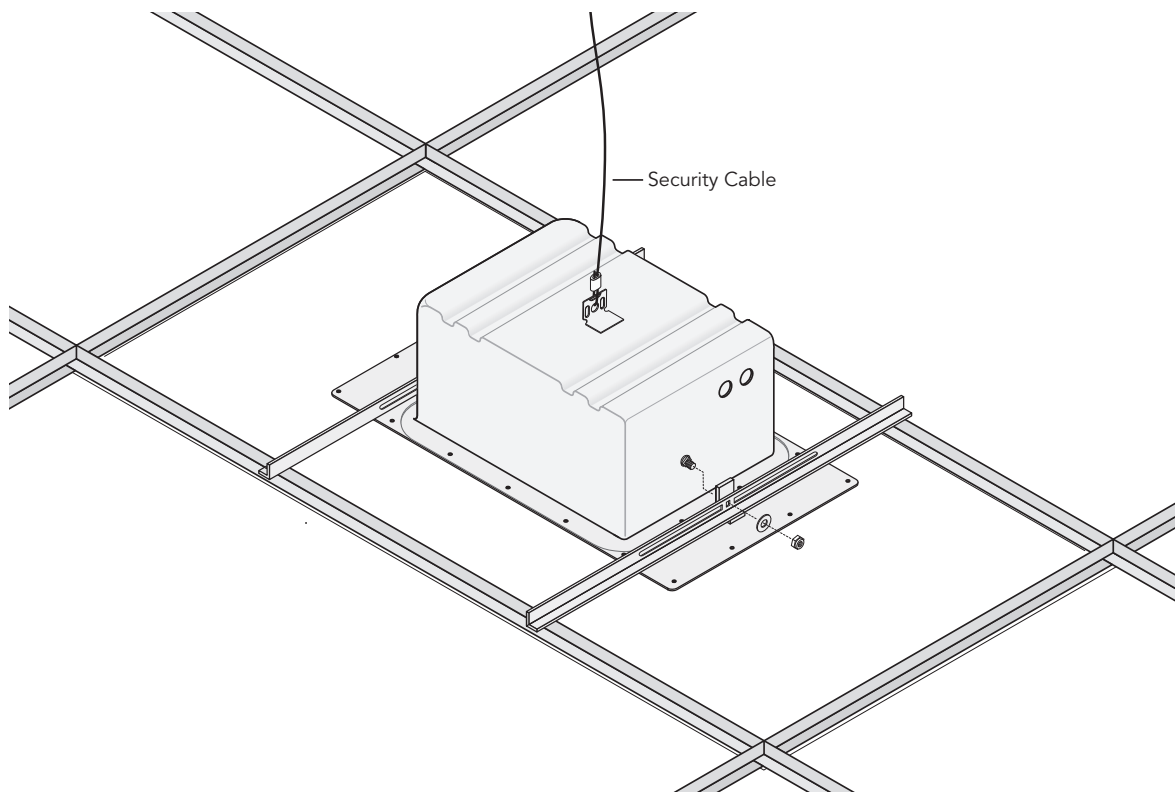
Ceiling or Wall Bay Installation

- 1 Run the speaker wire to the installation location. Be sure the wire meets electrical and building code requirements.
- 2 Decide which of the wire inputs you want to use and remove the appropriate knockout cover(s). If the wiring will be "daisy chained" to other speaker, remove other knockout covers as needed. Snap a ULM connector into each of the knockouts removed.
- 3 If you are using a 70/100 V constant voltage transformer, mount it on the mounting studs provided inside the FRB.
- 4 Position the FRB unit between the rafters or studs. The mounting holes in the front plate align with common rafter/stud separation. Center the mounting screw holes over the rafter/stud and level the FRB.
- 5 Fasten the FRB to the rafter/stud with at least 4 screws.
- 6 Before installing the drywall, carefully measure the location of the FRB unit and cut the appropriate hole. The hole cutout diameter is listed in the specifications table.
- 7 Connect the speaker (and the 70/100V transformer if it is used) and mount the speaker according to the instructions supplied with it.



Drop Ceiling Installation

- 1 Run the speaker wire to the installation location. Be sure the wire meets electrical and building code requirements.
- 2 Decide which of the wire inputs you want to use and remove the appropriate knockout cover(s). If the wiring will be "daisy chained" to other speaker, remove other knockout covers as needed. Snap a ULM connector into each of the knockouts removed.
- 3 If you are using a 70/100V constant voltage transformer, mount it on the mounting studs provided inside the FRB.
- 4 Fasten the drop ceiling support bars to the FRB with the hardware provided.
- 5 Cut the appropriate size hole in the ceiling panel over which the FRB will be mounted. The hole cutout diameter is listed in the specifications table. Set the ceiling panel in the support grid.
Hint: For a variety of reasons it is best to center the cutout hole in the ceiling panel.
Hint: Do not install the ceiling panels adjacent to the installation location until the FRB and speaker have been installed and connected.
- 6 Slide the FRB through an adjacent opening in the support grid and set it in place over the cutout in the ceiling panel.
Caution: Because drop ceiling support grids are not particularly strong, we strongly recommend you fasten a safety cable between the tab on the back of the FRB and a structurally strong building element.
- 7 Connect the speaker (and the 70/100V transformer if it is used) and mount the speaker according to the instructions supplied with it.



Limited Warranty

Snell Acoustics warrants to the original purchaser of our FRB68 product that they will be free of defects in materials and workmanship for a period of 5 years from the date of purchase.

Your responsibilities are to install and use them according to the instructions supplied, to provide safe and secure transportation to an authorized Snell Acoustics service representative, and to present proof of purchase in the form of your sales slip when requesting service.

Excluded from this warranty is damage that results from abuse, misuse, improper installation, accidents, shipping, or repairs/modifications by anyone other than an authorized Snell Acoustics service representative.

This warranty is limited to the Snell Acoustics product and does not cover damage to any associated equipment. This warranty does not cover the cost of removal or reinstallation. This warranty is void if the serial number has been removed or defaced. This warranty gives you specific legal rights, and you may also have other rights which vary from state to state.

If Service Seems Necessary

First, contact the dealer from whom you purchased the product. If that is not possible, call us at 978-538-6262 or write to:

Snell Acoustics, Inc.
300 Jubilee Drive
Peabody, MA 01960 USA

Or contact us via e-mail at:

info@snellacoustics.com

We will promptly advise you of what action to take. If it is necessary to return your FRB68 unit to the factory, please ship it prepaid. After it has been repaired, we will return it freight prepaid in the United States and Canada.

For European Union Customers Only



This symbol found on the product indicates that the product must not be disposed of with household waste. Instead, it may be placed in a separate collection facility for electronic waste or returned to a retailer when purchasing similar product. The producer paid to recycle this product. Doing this contributes to reuse and recycling, minimizes adverse effects on the environment and human health and avoids any fines for incorrect disposal.





Snell

300 Jubilee Drive
Peabody, MA 01960
phone: 978-538-6262
fax: 978-538-6266
email: info@snellacoustics.com
www.snellacoustics.com

©2007 Snell Acoustics. All Rights Reserved.
Specifications are subject to change without notice.
Covered by patents issued and/or pending.
Part #542-1043

