

September 2024

www.nmra-scwd.org

Volume 56 No. 1



Next SCWD Meet
Verona Senior Center, Verona
September 8, 2024 at 1 PM

Next BOD Meeting:
September 10, 2024 at 6:30 PM
ZOOM Meeting



Next Youth Group
Verona Senior Center, Verona
September 14, 2024 1 PM

Super's Report

Art Dawson
Division Superintendent

Hello fellow modelers,

Summer has been a warm one, but the picnic went off without a hitch. Our new caterer did a wonderful job and a good time was had by all. I've been a bit of a home body this summer, trying to get ready for retirement and training someone to take on my work responsibility. (My day job, not this one!)

September is fast approaching. I'm looking forward to seeing all of you and enjoying our clinics, contests, and layout visits.

That's all for now! See you at the September meeting.

Art Dawson, SCWD Superintendent
Model railroading is fun!

Clinic Column

Bob Wundrock

I hope you all had a great summer but did not neglect our hobby. I've been catching up on a couple of kits that have been on my shelf for more months than I can count.

We have two experienced clinicians for our September meet, Brian Sheron MMR and Dave Ackmann.

We welcome back Brian as he will present "**Forty-Two Years of Tips and Tricks.**" This clinic presents dozens of handy tips and tricks that solve (or help solve) model railroading problems, or at least make some difficult tasks easier. These include: wax paper behind windows; simple signs from your computer; smaller scale buildings as background; how you can use modern vehicles on older period layouts; and making roads disappear.

You can see a feature story on Brian's layout in the August issue of Model Railroader.

Our second clinician from the Gateway Division is Dave Ackmann presenting his 3D printing clinic titled: "**3D Printing, Model Railroading, Stages of Love, and You.**" This clinic is an entry level clinic covering what I have learned in the first few months of developing 3D models and printing them on my Ender 3 Pro 3D printer. I also cover how I downloaded models from other model railroaders. Transferring images from PowerPoint and creating 3 dimensional Heralds will also be covered.

I've already scheduled many clinicians for the upcoming meets. However, not all the slots have been filled. That allows you, the SCWD member to present a clinic to the membership, and receive a \$50 Hobby Stop gift certificate for sharing your knowledge.

If you have an idea for a 45-60 minute presentation, but may need help composing with Power Point, please contact me at rwundrock@yahoo.com.

Bob

Layout Tours

Phil Hottmann

It looks like we have some great layouts lined up for this season. Jon Welch will be opening his layout for the September meeting. Jon has a unique location for his layout, it's one of the few layouts I've seen in an attic. I hope you all make it out to see what Jon has been working on.

I'm still putting together the tours for the rest of the season. It would be great to see some layouts we haven't seen before. So, if you have a layout, we would sure like to see it. Even if it's not very complete. I know everyone would like to see what you are doing and could potentially help out in some way.

Please get ahold of me if you're interested.

Phil

Modeling Project

Mike Vivion

I am pleased to announce that I have found a project for the coming year. This year's project is different from previous years in that it will only involve modeling in HO scale. However, all are invited to participate regardless of what scale you personally model in. This project was made possible by the donation of one of our members of some older, but very interesting HO kits. I will give more details at the September meeting. If you will be unable to attend our September meeting, but want to participate in this year's project, I suggest you contact me via email or phone (see my listing in the Red Book) as I have a limited number of these kits available. Once they have been committed, there will be no more kits available and you will not be able to participate.

I hope to see all of you at the September 8th meeting and I will detail the modeling project then.

Mike Vivion
Modeling Project Chair

Contest Column

Dave Down, Chair

A new year of meetings is upon us, which also means a whole new year of model and photo contests. The themes for each month will be on the website under contests and also announced each month in the Bad Order. As always, if you have an idea for a contest theme please send me an email. A primary purpose of our model and photography contests is to inspire and encourage each other. (If it means you get to show off a little along the way, that's OK.)

For our first meeting back (Sep) the theme is **Hopper Cars**. Hoppers are a type of freight car that has opening doors on the underside or on the sides to discharge its cargo. They can be used to transport loose solid commodities like coal, gravel (ballast), ore or grain. There will be three categories in the contest, as noted below. The theme will apply to both the models and the photographs.

September: Hopper Car

- Open Hopper w/o load
- Open Hopper with load
- Covered Hopper



Since it is a “new modeling year”, I once again encourage each of you to set a “new year resolution.” A good resolution would be for everyone to submit at least one model and one photo in the next nine months. The full list of themes for the year will be posted on the website so you can plan ahead. (It was also in the July Bad Order.)

Popular Vote Model and Photo Contests

1. Popular vote contests shall be held at each regular membership meeting except when we have the modeling project entries. .
2. The theme of models and photos to be entered in the Popular Vote Contests each month shall be determined by the Model and Photo Contest Chair with the approval of the BOD and published in advance in the Division newsletter, the Bad Order.
3. Categories shall be determined by the Contest Chairs and published in the Bad Order in advance.
4. Each member present at the meeting may vote for their favorite model and photo in each category. A first, second, and if necessary, a third award will be given to entries receiving the most votes in each subclass.
5. Photo entries should be either 4”x 6” or 5” x 7” in size in B&W or Color. Larger photos will not be considered entries, but can be shown as “Display Photos”
6. The categories for photos will match the categories for the model contest unless otherwise noted in advance. You may enter up to 3 photos in each category. You may enter photos in multiple categories.
7. All contest entries must be logged in on the appropriate category sheet, with the entry number placed on a tag that goes on or next to the model or photo.

Everyone who votes likes to see which entries received awards, and some would like to ask questions of the modelers or photographers, so if at all possible, at the end of the meet, please return to the contest area to see if anyone has questions before retrieving your entries.

Dave

SCWD Summer Picnic Review

John Haverberg

The 2024 Summer Picnic was held on July 20th at Little Amerricka Amusement Park in Marshall. About 90 SCWD members and their guests attended. The weather was great and the steam engines turned out in-force. Unfortunately, the pre-picnic layout tour at Roy Grants' was canceled at the last minute to a medical condition with Roy. Perhaps we can re-arrange the tour for next year.

A new caterer to SCWD, Angelos, was contracted to serve the picnic this year. The caterer showed up and had the food ready at an earlier start time of 12:30 pm as requested. Four primary meats (burgers, brats, chicken breasts, and pulled pork) and buns were offered as well as hot dogs for the younger kids. Hot baked beans, a cheese plate, veggies, condiments, and chips were also included as well as cookies for dessert. A variety of cold sodas, bottled water, and ice were available for drinks. Attendees provided very positive comments to me and the caterers on the meal! And the overall cost was less than previous years.

An expanded model trains swap meet was included by Little Amerricka, set up near the loading platform for the train rides. This is an added bonus to using Little America as our picnic site on their "Train Day".

For those who attended, I hope you had a good lunch and a good time at the Park. For those who couldn't attend, there will always be next year!

John Haverberg
SCWD Summer Picnic Chairperson

**Many thanks to Art Dawson
for the
Picnic photos!**





A Puzzle for You

You like trains, or train watching, but have you ever wanted to go to an OPS (Operating Session) and run trains on someone else's layout, but were afraid you wouldn't know what to do?



Model Railroad Operation is a fun and interesting role-playing game where the players (operators) use model trains to simulate the movements of the prototype railroad. Operators fill the roles of railroad employees like engineers, conductors, yardmasters, dispatchers, and more. Many of our SCWD members participate each month at multiple layouts to enjoy this fun and stimulating practice of critical thinking and problem solving in the context of railroad operations.

Now, there is a way for you to get your feet wet in this critical thinking and problem-solving railroad environment in the privacy of your own home through the use of railroad switching puzzles.

In July 2020, a group of SCWD members started a project to introduce more of our members to the enjoyment of railroad operations, or as our wives call it, playing trains. Some of us have been engaged in operating sessions for 20 years or more, and would like to get more of you involved.

The project involves getting one to solve a series of train switching puzzles (on paper, or your computer) in the least number of moves possible. You can then submit your solution to see if yours was done in the least number of moves.

Beginners can start with **3 introductory puzzles** to show the kinds of skills used in railroad switching operations. Then, you can advance to a series of more advanced puzzles written and based on actual SCWD member area layouts. Or, if you have already been to an OPS session, you could do an introductory puzzle, and jump right into the more challenging ones.

Join the SCWD listserv now and begin learning what this is all about!

Email Steve Lanphear at scwdmemberlist@mhtc.net to be added to the list and start receiving your puzzles now!

Happy Railroading!
Steve



Enjoy receiving interesting rail photos, model railroad tips, Operating puzzles, and challenging Mystery Photos??

Join The 120+ SCWD members and members from other Midwest Regional Divisions who are participating in the SCWD listserv. You can expect 5 - 10 photos of railfan photos or model railroad photos or other items per week on average, as well as SCWD announcements, monthly Mystery Photo contests, Modelers Corner, and OPS Corner Puzzles. The listserv has been running this since April 2012, and it has been quite popular.

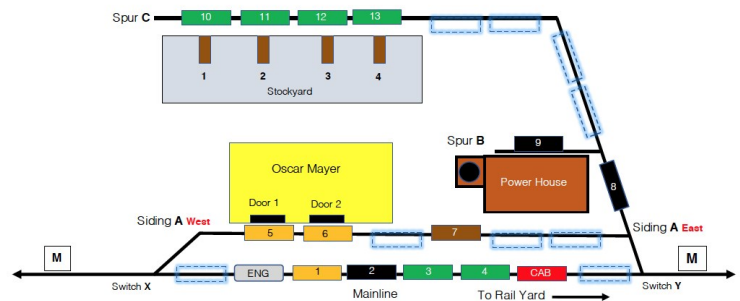
The listserv is a one-way email broadcast to you, not a social media type service. The emails are sent in bulk, but as a BCC: type email.

Please save this email so you know how to get a hold of me. So, if you would like to try out this FREE member service, just send me your **Name** and **email address**, and **City/State** to the address below. You may drop out at any time by sending an email stating such to the same address below.

Steve Lanphear
SCWD listserv Coordinator
scwdmemberlist@mhtc.net



OPS Puzzles

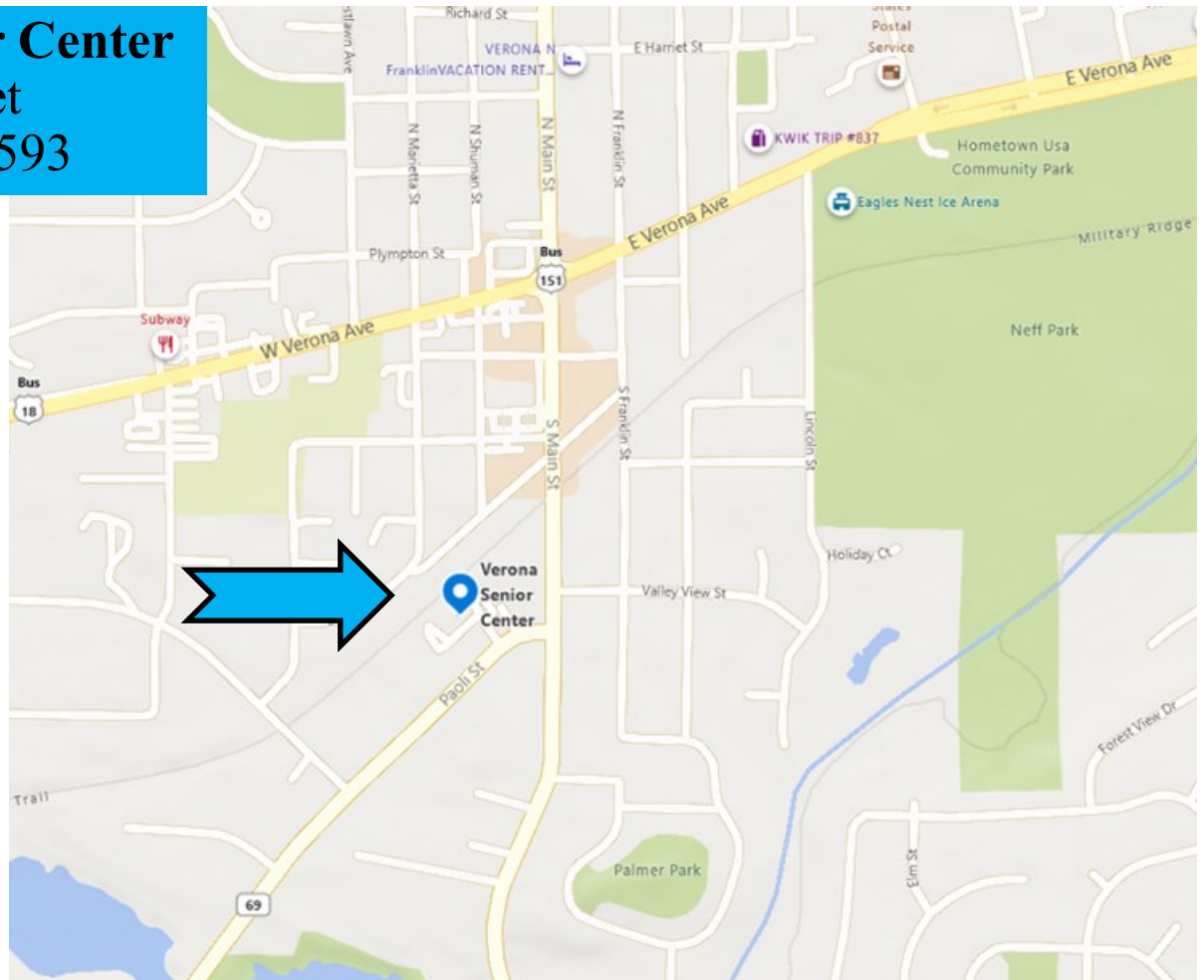


OPS Puzzles have arrived! We now have a section on the SCWD Website that has all 11 puzzles that we have published on the listserv, including the handouts and diagrams. You can start from the beginning, or pick and choose which puzzles you would like to try.

www.nmra-scwd.org/ops-puzzles.html

Steve Lanphear and the Puzzle Development Team.

Verona Senior Center
108 Paoli Street
Verona, WI 53593





**Minutes SCWD Board Meeting
June 11, 2024
via Zoom meeting**



NOTICE FROM THE CLERK - The August 13 Board of Directors Meeting was postponed to August 20, 2024, due to the primary election being held on Tuesday, August 13. The June meeting minutes were to be submitted on August 14 to meet the Bad Order Newsletter September publication deadline. The following meeting NOTES are being submitted to meet the Bad Order Newsletter September publication deadline. The regular minutes will be approved as presented or corrected until the August 20 meeting.

Notes from the June 11, 2024 SCWD Board of Directors Meeting

The meeting of the South Central Wisconsin Division Board of Directors was called to order at 6:32 pm by Superintendent Art Dawson. Art Dawson, Phil Hottmann, Bob McGeever, Dave Dingman, Chris Bradley, Steve Preston, and Bill Mitchell were present. Dave Down joined the meeting a bit later. Also in attendance was special guest - Bob Wundrock.
(Meeting date and start times may vary due to BOD members schedules.)

BOD Meetings: Members of the SCWD are invited to join a ZOOM Board of Directors meeting. Meeting dates are published in the **Bad Order**. Send a request to Art Dawson or another member of the SCWD Board for a **ZOOM** link to the upcoming meeting. The members' contact information is in the **RED BOOK**.

Minutes

Motion by McGeever, second by Dingman to approve the minutes of the SCWD Board Meeting held on May 14, 2024. Motion carried.

Paymaster Report

Bob McGeever presented the highlights of the May Paymaster Report. Motion by Dingman, second by Bradley, to approve the Paymaster Report. Motion carried.

Committee Reports

Picnic - Nothing new to report.

The SCWD July Summer Picnic is scheduled for July 20, 2024, at Little Amerricka Park in Marshall on their "Whiskey River Railway Day". The picnic lunch will be served at 12:30 pm. The picnic reservation form is in the June Bad Order newsletter. Before the picnic, there will be a layout tour. See the picnic reservation form for the layout tour details. Picnic reservations must be received by July 6, 2024.

Adults, Children Age 6 years old and above \$5.00
Children 5 years old and under FREE

Achievement Program - Nothing to report.

Advertising - Nothing to report.

Bad Order - Articles are due for the newsletter by June 15th.

Special Note 1: The email list comes directly from the NMRA membership list, so please keep your membership active and your email current with the NMRA. All SCWD members are requested to inform the NMRA when their email address changes.

Special Note 2: Kathy, our newsletter editor, is always in need of articles. Please submit articles as soon as possible to have them included in the next publication of the Bad Order to SCWDKATHY@AOL.com via email with attachments in a WORD formatted document.

Clinics - Great News - Bob Wundrock, Master Model Railroader #446, has volunteered to become the SCWD Clinics Coordinator. Bob will be lining up virtual clinics as well as in-person clinics at our monthly SCWD Membership Meetings. Thank you, Bob, for becoming our SCWD Clinics Coordinator. An optional gratuity of \$50.00 is available for outside clinicians. Bob also requested to be included in the ZOOM invitation to the monthly SCWD Board of Directors meetings.

Contests - Model and Photography - Dave Down has the contest categories lined up for the 2024-2025 season which will be published in future editions of the **Bad Order** newsletters. Dave will be working on standardizing the recommend guidelines for the photograph categories. The rules will be published in the **Bad Order** newsletters.

Modeling Project - Nothing to report.

Door Prizes - Gift Certificates to **MADISON HOBBY STOP** will be purchased in August for the 2024-2025 SCWD Membership meetings.

Layout Tours - Phil Hottmann has started lining up layout tours for the SCWD 2024 - 2025 season.

Our SCWD organization is always looking for more people to host virtual or in-person layout tours. Please contact Phil Hottmann about the possibility of opening up your layout for a virtual or in-person tour. Phil's contact information is in the RED BOOK.

Membership - Steve Preston reported membership renewals are current.

The current SCWD membership list is sent to Steve Preston on a monthly basis. The email address of the SCWD members associated with the membership list is used for the Constant Contact electronic communications system. Each member is responsible for making sure that their email address is valid. If someone has problems renewing their NMRA-SCWD membership using the ON-LINE systems, please contact Steve Preston. His contact information is in the RED BOOK.

Spring Banquet - Nothing to report.

Publicity - Nothing to report.

Rail School - January 5, 2025 - Planning will begin in September. Help is needed for the January Rail School. Ideas are appreciated.

Rail Show - The *57th Madison Model Railroad Show and Sale* will be held on February 15 - 16, 2025. Bob McGeever is looking for a contract from the Dane County Alliant Energy Center. Bill Mitchell is continuing to capture email addresses from the February 2024 ticket stubs.

Youth Group - Steve Preston - Donations are being received from a memorial that have been designated for Youth Group equipment or projects. Steve will be coordinating a date for the Youth Group Committee to organize the groups storage facility in Verona. Vendors and costs of Digital Command Control systems will be reviewed by the Youth Group Committee. (Those SCWD members who have DCC systems may wish to be involved with the review. Contact Steve Preston, Phil Hottmann, or Chris Bradley - contact information is in the RED BOOK)

Youth Group Notes: Youth 18 years of age and under are welcome to join the SCWD Youth Group. A parent or designated adult is required to attend with the youth. The Youth Group Committee is looking for more members. Also, SCWD members are needed to present model railroading topics.

Website - The website looks to be in good order.

Social Media - Nothing to report.

Old Business:

Nothing to report.

New Business:

Bob McGeever is working with the Verona Senior Center on a rental agreement for the SCWD 2024 - 2025 season. He needs the dates for the SCWD Membership and Youth Group monthly meetings.

From the May 14 Board of Directors Meeting:

Art Dawson submitted a tentative calendar for the SCWD 2024 - 2025 season. The calendar was approved. Some dates may be subject to change.

<i>Membership Meetings</i>	<i>Youth Group</i>	<i>BOD - 6:30 pm</i>
<i>09/8/2024</i>	<i>09/14/2024</i>	<i>09/10/2024</i>
<i>10/6/2024</i>	<i>10/12/2024</i>	<i>10/15/2024</i>
<i>11/3/2024</i>	<i>11/9/2024</i>	<i>11/12/2024</i>
<i>12/1/2024</i>	<i>12/14/2024</i>	<i>12/10/2024</i>
<i>01/05/2025</i>	<i>01/11/2025</i>	<i>01/14/2025</i>
<i>02/02/2025</i>	<i>02/8/2025</i>	<i>02/11/2025</i>
<i>03/02/2025</i>	<i>03/8/2025</i>	<i>03/11/2025</i>
<i>04/06/2025</i>	<i>04/12/2025</i>	<i>04/15/2025</i>
<i>05/04/2025</i>	<i>05/10/2025</i>	<i>05/13/2025</i>
<i>05/09/2025 Banquet (tentative)</i>		<i>06/10/2025</i>
<i>07/19/2025 Picnic (tentative)</i>		<i>08/12/2025</i>

Steve Preston brought up the subject of giving advertising items away at our SCWD annual events and other local public events. These items would have an imprint of our SCWD Name and website. The idea will be passed onto our Publicity committee headed by Bob Boelter.

Adjournment:

A motion was made by McGeever, second by Preston, to adjourn the meeting. Motion carried. The meeting was adjourned at 7:37 pm.

Bill Mitchell - SCWD Clerk



For those members that participate in the listserv emails from Steve Lanphear, please remember to **send him your new email if you change it! Changing your email with the NMRA does not change it on the listserv. His email is:**

Steve Lanphear
SCWD listserv Coordinator
scwdmemberlist@mhtc.net

FROM the NMRA
Please Keep in Touch



Please make sure the NMRA has your current contact information. You will not be able to access the full range of NMRA benefits unless we can reach you.

- Please visit nmra.org/members
- Use your email address and password to log in.
- If you have not yet registered, or forgot your password, there are buttons for that. Take a moment to easily correct any problems.
- Once logged in, click on Member Info (top right corner).
- Make sure your information is correct.
- If not, please go to:

nmra.org/request-membership-info-changes

to submit a request for changes to be made.

Thank you!



MADISON HOBBY STOP

6622 Mineral Point Road, Madison, WI 53705

Ph: 608-829-3820 • Fax: 608-829-3852 • www.madisonhobbystop.com

Hours: Monday – Friday (10 am – 8 pm) and Saturday (10 am – 5 pm)

Model Railroading • Plastic Model Kits • Rockets & Accessories • Pine Car •
Paints • Tools & more!

Happy Fall



**Now that the yardwork is coming to an end and
the days are getting shorter,
it's time to start running trains again!**

New/Old stock continues to come in plus new stock.

For all your railroading supplies, I have most in stock always

We are now closed on Sunday until late November.

Thank you for your continued support.



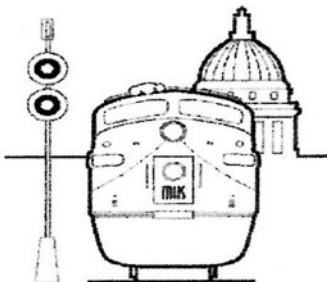
**Preorders are 25% off regular price except
Walthers Proto which is 20% off**

New/old consignment coming in weekly, stop in for best selection

**Remember, most model railroad items are 20% off
with a valid NMRA or other club id card**

Excludes discounted or sale items, magazines, and consignments

Gift Certificates Available



Madison Hobby Stop
Chris Roosli, Proprietor

The Hobby Depot

Brian Stackpole, owner



See us on the web at: www.hobbydepotmonroe.com



835-17th Street
Monroe, Wisconsin 53566

Phone: 608-325-5107

Call ahead to be sure we're open!

email: hobbydpo@tds.net

TRAINS & MORE

South Central Wisconsin Division of the National Model Railroad Association

Publishes eleven issues yearly of the

BAD ORDER

Official Mailing Address:
BAD ORDER
3940 Trempealeau Trail
Verona, WI 53593

Photos in the Bad Order, unless otherwise noted,
are by Kathy Clancy

Deadline for submissions: **14th of the month
prior to publication.** Email Bad
Order Editor at SCWDKATHY@AOL.com

Place your ad here!!!

Contact

Kathy Clancy

Bad Order Editor

SCWDKathy@aol.com

Railroad Collectibles

Wanted to Purchase:

Annual Passes-Card size-Pre 1830

Annual Reports

Brochures-Railroad Brochures, Folders, Booklets

Calendars-Pre-1980 Railroad Issued

Depot Related Items: Telegraph-Telephone-Signs-
Ticket Dater Machines-W/Brass Die Insert

Diagram Books-Locomotive-Freight-Passenger

Dining Car China-Silverware-Holloware-Glassware

Especially With Railroad Name, Initials,
Logo

Engineering Data Books-Track Charts-Blue Prints

Great Lakes Car Ferry and Passenger Lines-

Passenger Service Memorabilia

Fred Harvey Restaurant Items-Dishes, Glass, Silver,
Paper and any Miscellaneous Items

Locomotive Builder Plates

Miscellaneous-Many more items not mentioned

Publications-RR Historical Societies-RR Employee
Magazines

Signs-Porcelain or Metal with Railroad Logo

Step Boxes-with RR Name/Logo

Timetables-Public and Employee Railroad Sched-
ules

Wax Sealers-From Railroads or Express Companies

Model Railroad Items: HO Gauge-Brass Equip-
ment O Gauge (2 Rail 1/4" scale), Brass

Equipment, Kits, Passenger and Freight

NOT BUYING:

No Model Railroad Magazines

No Insulators, Date Nails, Tokens, Post Cards,
Watches or Belt Buckles

RAILROAD RELICS

LARRY BUNCE

201 NORTH KERCH ST.

BROOKLYN, WI 53521

(608) 455-4233

EMAIL: rrrellmb@charter.net or
rrrellmb@gmail.com

****BUY**Shows-Ebay**SELL**

PLEASE PATRONIZE OUR AREA HOBBY STORES

The Hobby Depot – 835 17th Street – Monroe WI
Madison Hobby Stop – 6622 Mineral Point Rd (inside Clock Tower) – Madison WI *

* = Train Show Ticket advance sales

SCWD 2024-2025 Meeting Schedule

Regular Meeting

September 8, 2024
October 6, 2024
November 3, 2024
December 1, 2024

BOD

September 10, 2024
October 15, 2024
November 12, 2024
December 10, 2024

Youth Group

September 14, 2024
October 12, 2024
November 9, 2024
December 14, 2024

A Word about Constant Contact e-mail

Each Constant Contact e-mail includes links to update or unsubscribe your e-mail address. **Please do not use these links.** If you unsubscribe using the Constant Contact link, your e-mail address will be removed from the NMRA membership database, from the Midwest Region e-mail database and probably from your Division's records. If you get an e-mail that you don't want, just hit the delete key. Furthermore, if you use the update link, your change may not be timely posted to the NMRA membership database.

If you need to change your email address with the NMRA please follow these directions:

The direct way is to log on to the "Members" page of the NMRA website, choose the "View your NMRA membership" box on the right side of the screen, scroll down to the bottom of the page and select "Update". Enter the new email address in the appropriate box and click "Submit".