

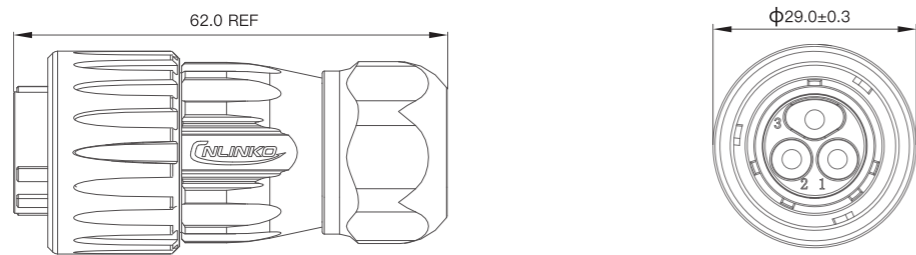
**DH-20 Datasheet**

# DH-20

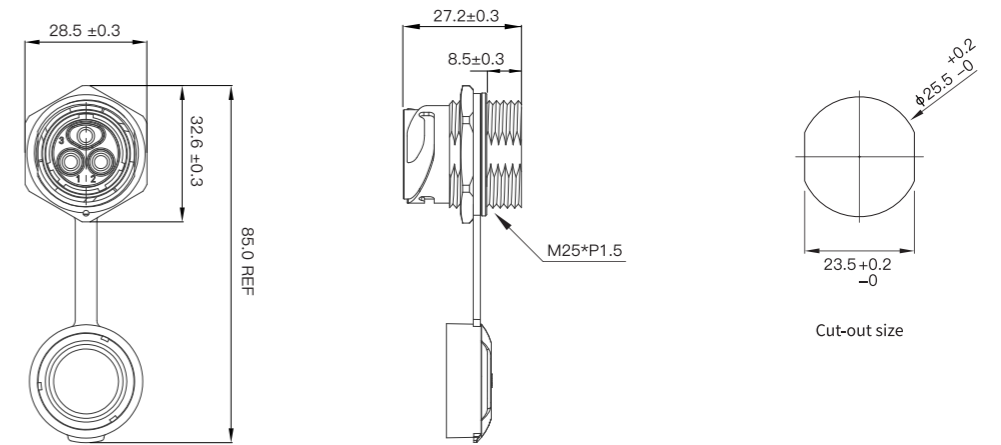
DH20 Power/Signal	Product Series		DH-20						DH-20											
	Pin Number		2PIN		3PIN		4PIN		5PIN		7PIN		8PIN		9PIN		12PIN		14PIN	
	Contact Layout																			
	Current Rating(A)		20		20		20		10		10/5		10		20/5		5		5	
	Voltage Rating(V)		300		300		300		300		300		300		250		250		250	
	Cable O.D(mm)		φ5.0~φ6.5		φ6.5~φ8.5		φ8.5~φ10.0		φ10.0~φ12.0		φ5.0~φ6.5		φ6.5~φ8.5		φ8.5~φ10.0		φ10.0~φ12.0			
	Wire Gauge		2.5-4.0mm <sup>2</sup> /14-12AWG		2.5-4.0mm <sup>2</sup> /14-12AWG		2.5-4.0mm <sup>2</sup> /14-12AWG		1.0-1.5mm <sup>2</sup> / 18-16AWG		1.0-1.5mm <sup>2</sup> / 18-16AWG 0.34-0.5mm <sup>2</sup> /22-20AWG		1.0-1.5mm <sup>2</sup> / 18-16AWG		2.5-4.0mm <sup>2</sup> /14-12AWG 0.34-0.5mm <sup>2</sup> /22-20AWG		0.34-0.5mm <sup>2</sup> /22-20AWG		0.34-0.5mm <sup>2</sup> /22-20AWG	
	Protection Level		Connection Status IP68						Connection Status IP68											
Terminal Type		Soldering/Screwing		Soldering/Screwing		Soldering		Soldering		Soldering		Soldering		Soldering		Soldering		Soldering		
Illustration	Material	Part No																		
	Male	DH-20-C02PE-03-001A	DH-20-C03PE-03-001A	DH-20-C04PE-03-001A	DH-20-C05PE-03-001A	DH-20-C05PE-03-0XXA	DH-20-C07PE-03-001A	DH-20-C08PE-03-001A	DH-20-C09PE-03-001A	DH-20-C12PE-03-001A	DH-20-C14PE-03-001A									
	Female	DH-20-J02PE-03-001A	DH-20-J03PE-03-001A	DH-20-J04PE-03-001A	DH-20-J05PE-03-001A	DH-20-J05PE-03-0XXA	DH-20-J07PE-03-001A	DH-20-J08PE-03-001A	DH-20-J09PE-03-001A	DH-20-J12PE-03-001A	DH-20-J14PE-03-001A									
	Male	DH-20-C02PP-03-001A	DH-20-C03PP-03-001A	DH-20-C04PP-03-001A	DH-20-C05PP-03-001A	DH-20-C05PP-03-0XXA	DH-20-C07PP-03-001A	DH-20-C08PP-03-001A	DH-20-C09PP-03-001A	DH-20-C12PP-03-001A	DH-20-C14PP-03-001A									
	Female	DH-20-J02PP-03-001A	DH-20-J03PP-03-001A	DH-20-J04PP-03-001A	DH-20-J05PP-03-001A	DH-20-J05PP-03-0XXA	DH-20-J07PP-03-001A	DH-20-J08PP-03-001A	DH-20-J09PP-03-001A	DH-20-J12PP-03-001A	DH-20-J14PP-03-001A									
	Male	DH-20-C02SX-03-101A	DH-20-C03SX-03-101A	DH-20-C04SX-03-101A	DH-20-C05SX-03-101A	DH-20-C05SX-03-1XXA	DH-20-C07SX-03-101A	DH-20-C08SX-03-101A	DH-20-C09SX-03-101A	DH-20-C12SX-03-101A	DH-20-C14SX-03-101A									
	Female	DH-20-J02SX-03-101A	DH-20-J03SX-03-101A	DH-20-J04SX-03-101A	DH-20-J05SX-03-101A	DH-20-J05SX-03-1XXA	DH-20-J07SX-03-101A	DH-20-J08SX-03-101A	DH-20-J09SX-03-101A	DH-20-J12SX-03-101A	DH-20-J14SX-03-101A									
	Male	DH-20-C02SX-03-401A	DH-20-C03SX-03-401A	DH-20-C04SX-03-401A	DH-20-C05SX-03-401A	DH-20-C05SX-03-4XXA	DH-20-C07SX-03-401A	DH-20-C08SX-03-401A	DH-20-C09SX-03-401A	DH-20-C12SX-03-401A	DH-20-C14SX-03-401A									
	Female	DH-20-J02SX-03-401A	DH-20-J03SX-03-401A	DH-20-J04SX-03-401A	DH-20-J05SX-03-401A	DH-20-J05SX-03-4XXA	DH-20-J07SX-03-401A	DH-20-J08SX-03-401A	DH-20-J09SX-03-401A	DH-20-J12SX-03-401A	DH-20-J14SX-03-401A									

## DH-20 Dimension Drawing (unit: mm)

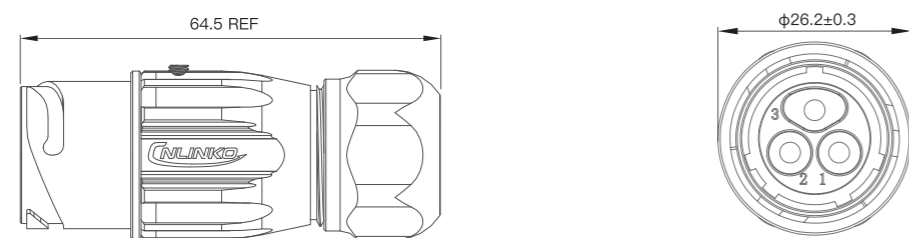
Plastic plug



Single hole straight receptacle



In-line receptacle



Four-hole flange receptacle

