



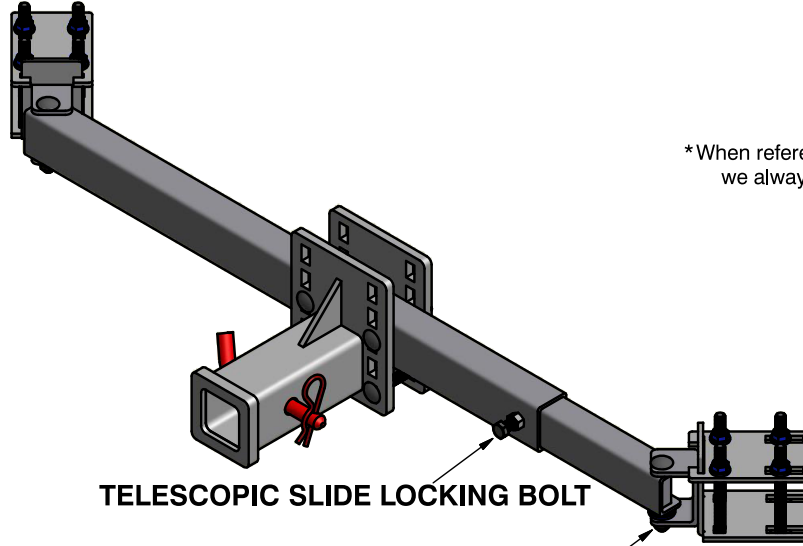
# INSTALLATION INSTRUCTIONS

## D'TTACH HITCH LARGE - MULTI BRACKET ASSY Spans 31-41" (DTHLG-UNI)

### TOOLS REQUIRED

#### 9/16" Wrench

\*When referencing left and right sides of the machine, we always refer to the Operator left and right while you would be operating the machine.



TELESCOPIC SLIDE LOCKING BOLT

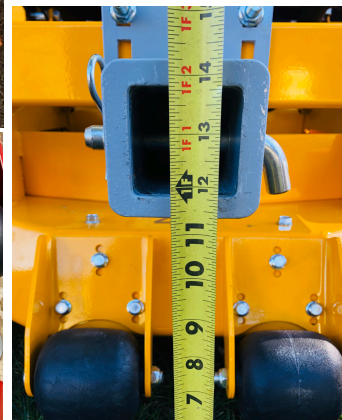
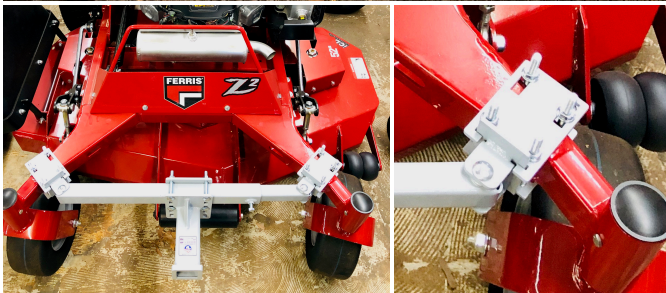
MULTI-BRACKET

The 2 carriage bolt nuts pictured through the multi bracket are only hand tight out of box.

- 1) Install the telescopic bar with brackets between castor arms and hand tighten the bracket bolts. (Make sure to install the cross bar straight & parallel to the rear drive axle)
- 2) Install the hitch and back plate to the telescopic cross bar, centering with unit and setting the height as close to 13" to center of hitch as possible. (The ground to the center of the hitch tube - see pic 4 below)
- 3) You can achieve the proper hitch height of installation (13" from ground to center of hitch tube) by installing the carriage bolts through the hitch and hitch plate within the series of five vertical mounting holes. Tighten the four carriage bolts, securely installing the DTHALL to the telescopic cross member.
- 4) Once everything is aligned, tighten all nuts and the telescopic slide locking bolt.

*HITCH DISCLAIMER: 90 Day Limited, 1 yr Structural Warranty*

*The D'ttach Front Mount Hitch is not an "Automotive Class Hitch". It is a mower accessory that is used as a receiver for D'ttach Commercial Mower Attachments and not intended to be used as an automobile hitch. Do not drive heavy attachments, such as the D'ttach Pile Driver Leaf Plow or the KartMate Kart, excessively in the raised or "stow" position. The heavy weight of the attachment while driving will flex the hitch and potentially bend the hitch and void the warranty.*



Visit [www.dttach.com/support.html](http://www.dttach.com/support.html)

for Product Support, IPL's, Product Literature, Instructions & Tutorial Videos

D'ttach MFG. 83-A Comsewogue Rd, E. Setauket, NY 11733 631-642-7445

Follow Us @dttachmfg



DTHLG-UNI INSTRUCTIONS.FS 08.14.20