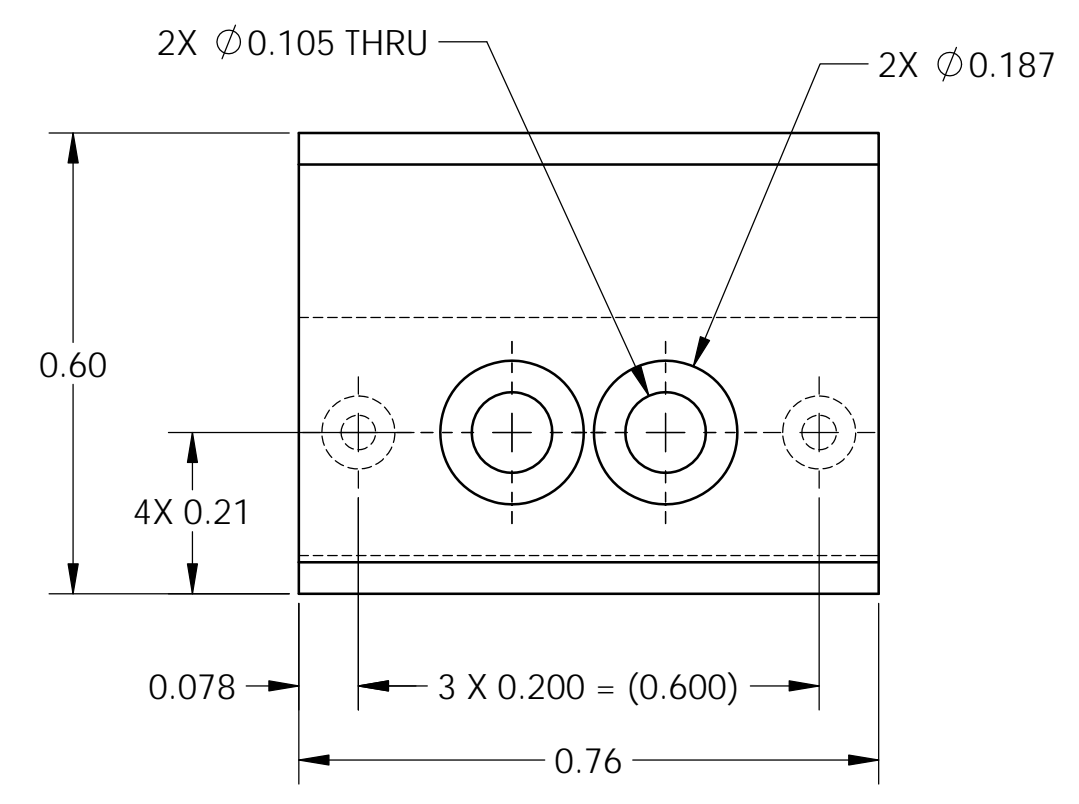
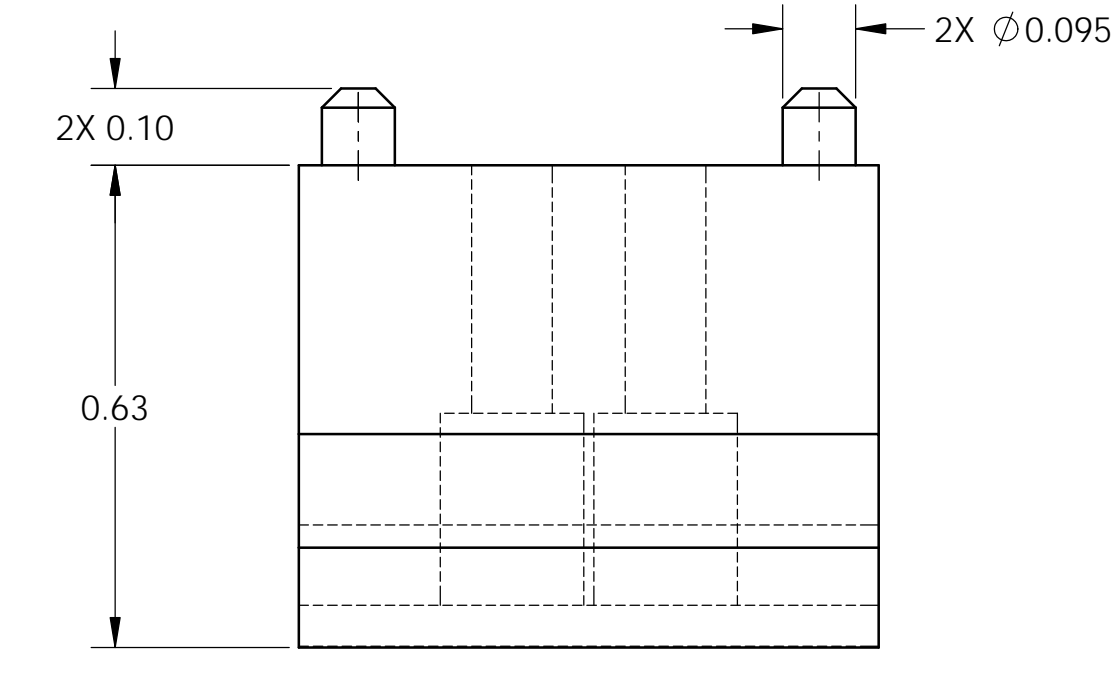
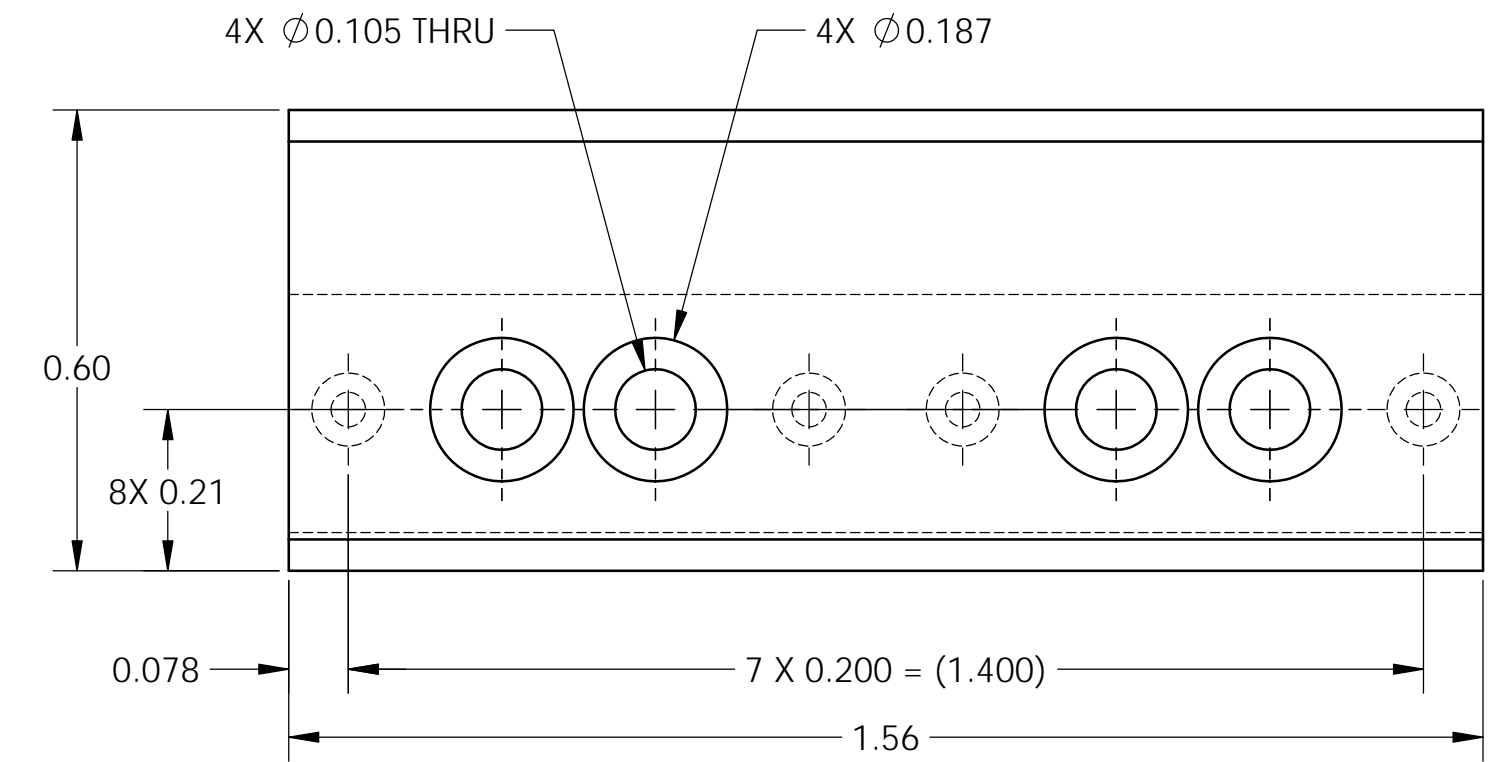
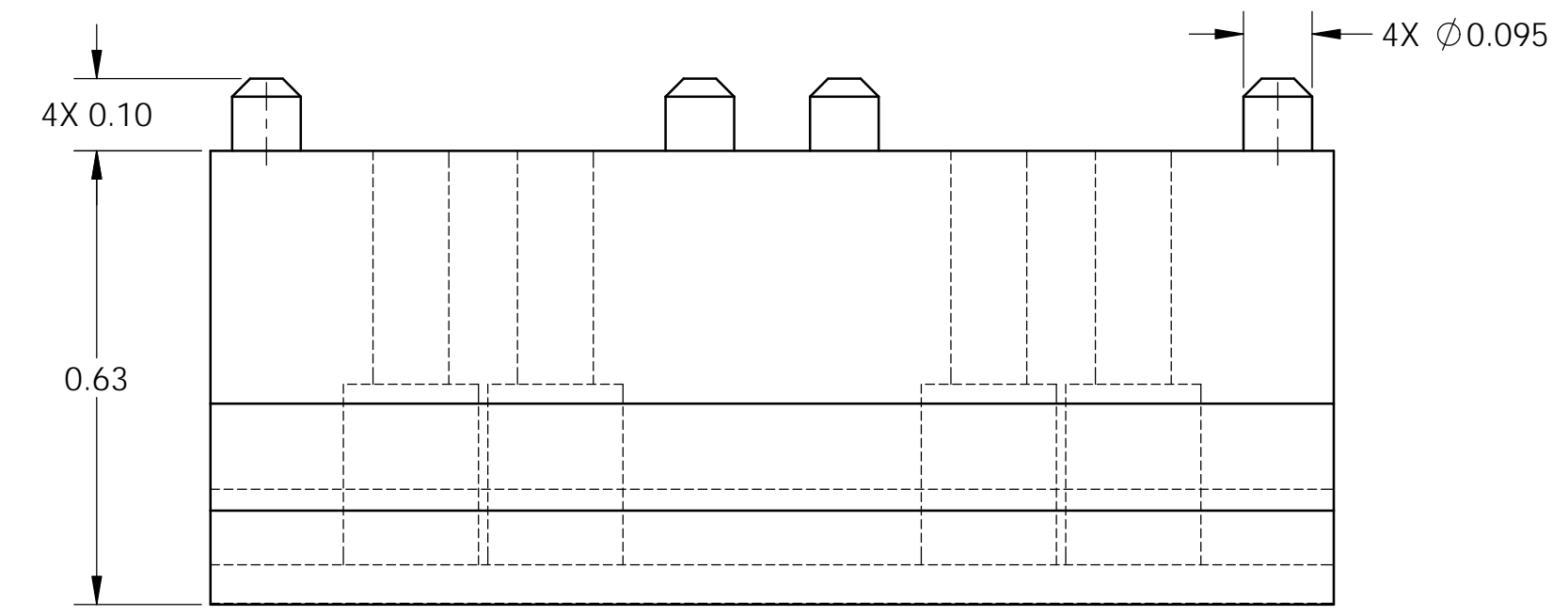


PROPRIETARY AND CONFIDENTIAL
 THE INFORMATION CONTAINED IN THIS DRAWING IS THE SOLE PROPERTY OF VECTOR ELECTRONICS & TECHNOLOGY, INC. ANY REPRODUCTION IN PART OR AS A WHOLE WITHOUT THE WRITTEN PERMISSION OF VECTOR ELECTRONICS & TECHNOLOGY, INC. IS PROHIBITED.

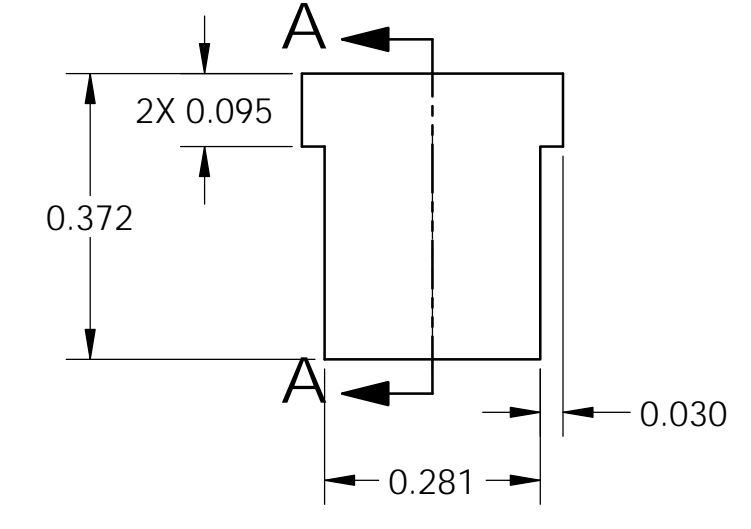
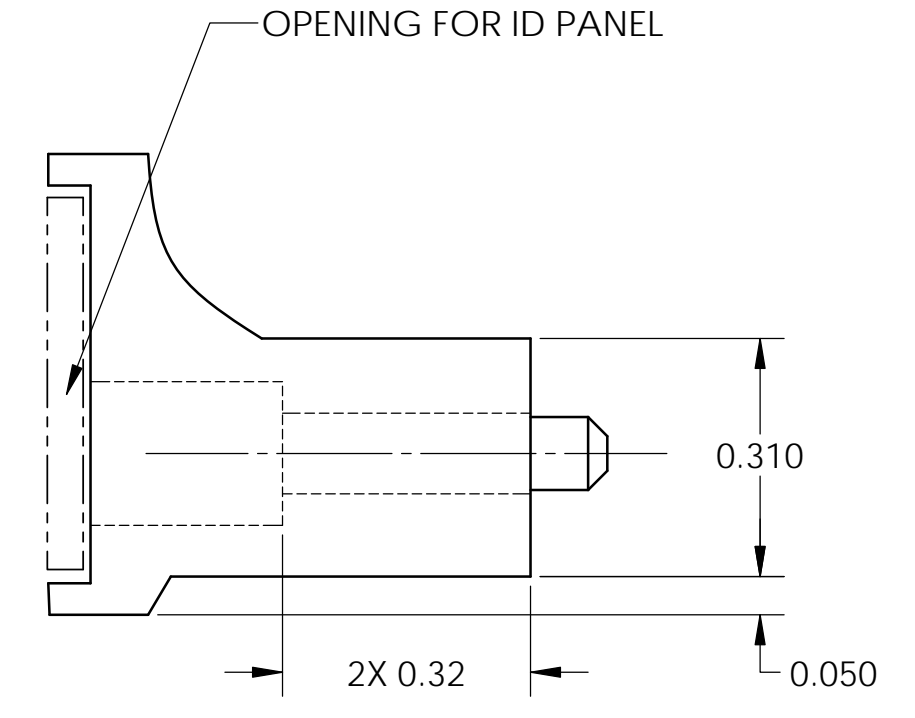
REVISIONS				
ZONE	REV	DESCRIPTION	DATE	APPROVED
ALL	A	INITIAL RELEASE	08/31/12	



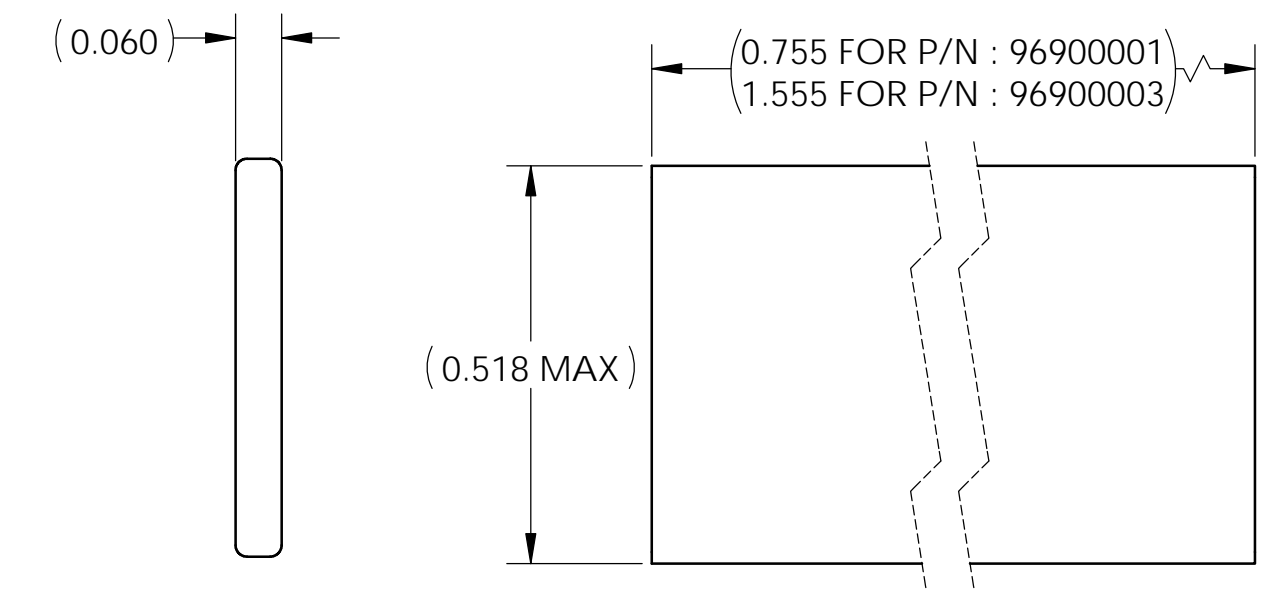
90100001 HANDLE DETAIL
 ①



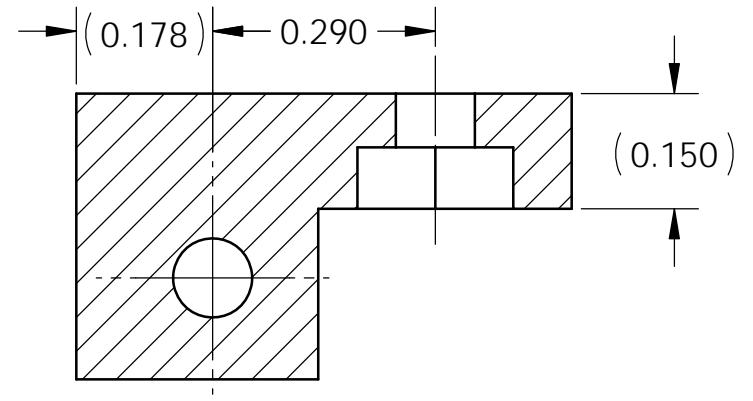
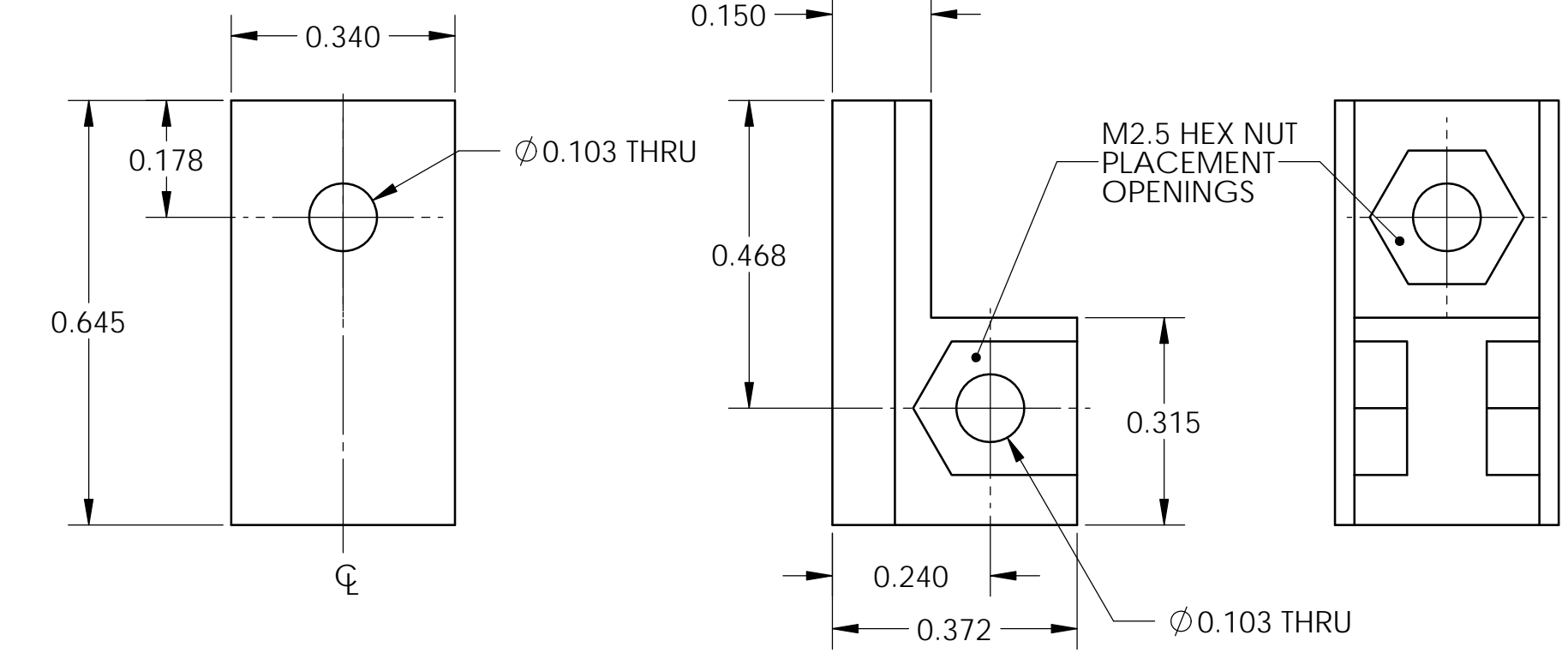
90100003 HANDLE DETAIL
 ③



94300001 L-BRACKET DETAIL
 ⑤



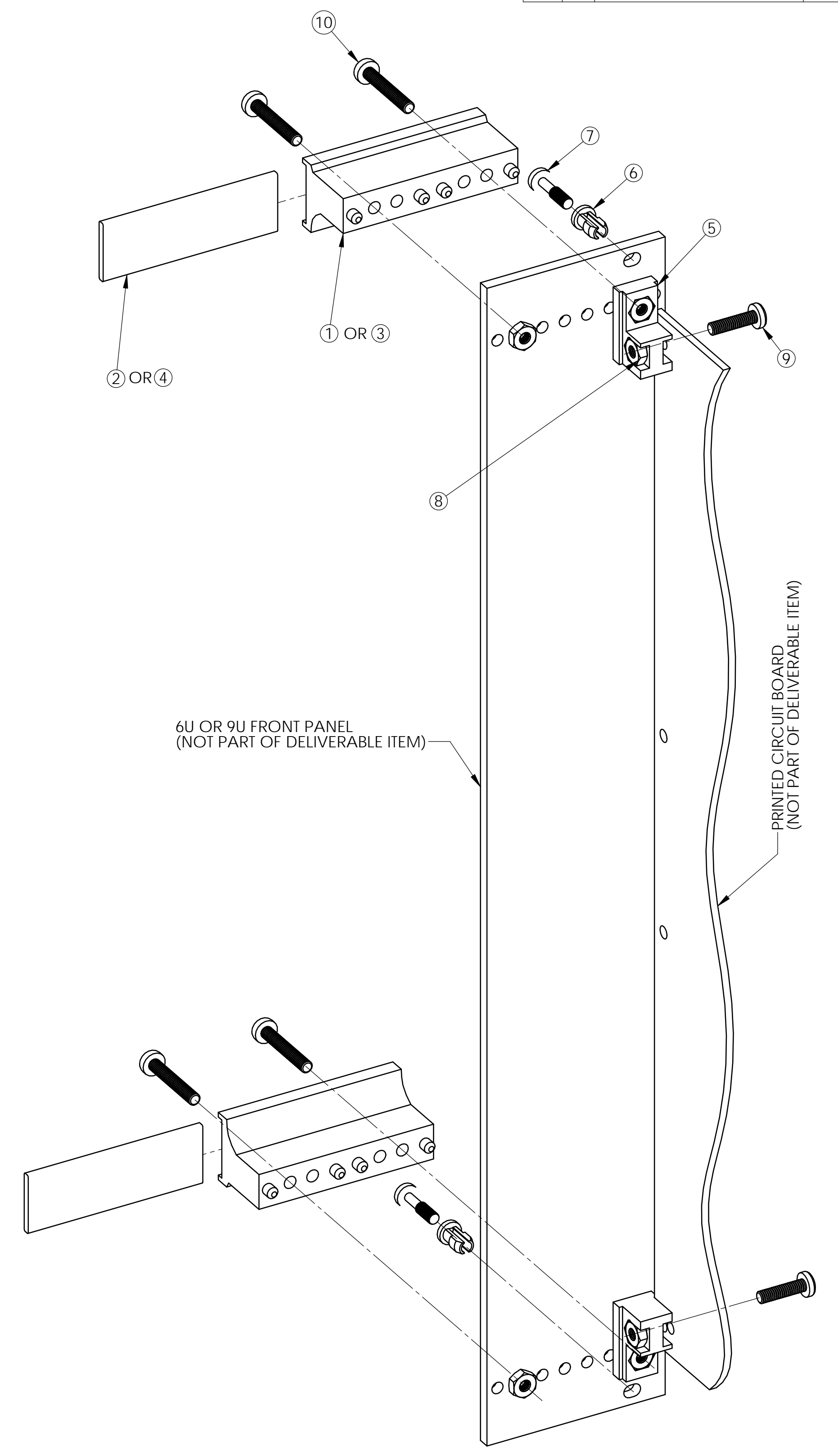
96900001, 96900003 ID PANEL DETAIL
 ② ④



SECTION A-A
 SCALE 4 : 1

CM04 & CM08 PARTS LIST

ITEM NO	DESCRIPTION	PART NO	QTY REQ'D FOR P/N		U/M
			CM04	CM08	
1	HANDLE, NYLON, BLACK, 4HP	90100001	2	-	EACH
2	ID PANEL, ALUMINUM, 4HP	96900001	2	-	EACH
3	HANDLE, NYLON, BLACK, 8HP	90100003	-	2	EACH
4	ID PANEL, ALUMINUM, 8HP	96900003	-	2	EACH
5	L-BRACKET, NYLON, BLACK	94300001	2	2	EACH
6	RETAINER SLEEVE, BLACK, NYLON, SMALL	94300002	2	2	EACH
7	CAPTIVE SCREW, M2.5-0.45X11mm	9500002B	2	2	EACH
8	HEX NUT, M2.5-0.45	95000006	4	6	EACH
9	SCREW, PAN HEAD, M2.5-0.45X10mm	88000106	2	2	EACH
10	SCREW, CHEESE HEAD, M2.5-0.45X16mm	95000005	2	4	EACH
11	WASHER, SPLIT LOCK, #3	W3-1#	2	4	EACH
12C2	ASSEMBLY INSTRUCTION SHEET	IN349	1	1	EACH



EXPLODED VIEW
6U OR 9U PLUG-IN CARD ASSEMBLY

UNLESS OTHERWISE SPECIFIED: DIMENSIONS ARE IN INCHES TOLERANCES: DEC. X.XX ±0.1 DEC. X.XXX ±0.03 DEC. X.XXXX ±0.010 FRACTIONS ±0.050 ANGLES ±1° THIRD ANGLE PROJECTION		NAME: TRISHAR DATE: 08/31/12	VECTOR ELECTRONICS & TECHNOLOGY, INC. 11115 VANOWEN ST., NORTH HOLLYWOOD, CA 91369
MATERIAL FINISH		COMMENTS	SCALE: 8:1
SIZE: D		DWG. NO.: CM0X	REV: A
CAGE CODE: 82893		SHEET 1 OF 1	