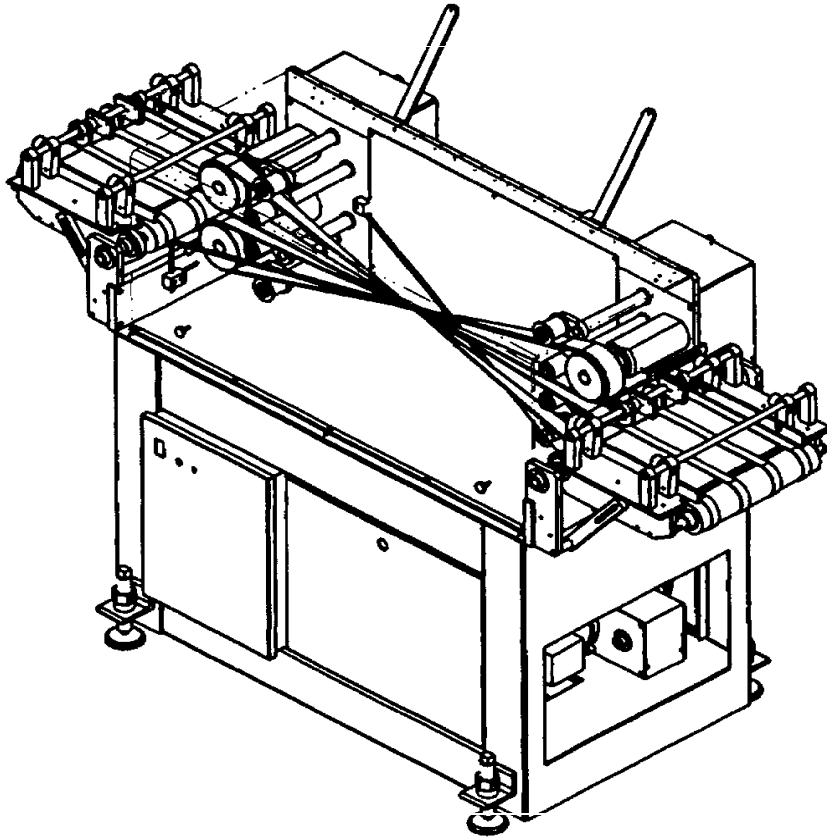




KR 445 Turnover Base

Kirk-Rudy, Inc. • 125 Lorraine Parkway • Woodstock, GA 30188
Phone: (770) 427-4203 • Fax: (770) 427-4036



Features:

- ⊕ Mounts inline with labeling bases, folders, and other systems
- ⊕ One-sided frame design makes belt changes quick and easy.
- ⊕ Jam detect skid bars

Options

- ⊕ Infeed/outfeed tabletops with vacuum for inkjet printing
- ⊕ Hydraulic lift kit for rapid positioning
- ⊕ Line shaft drive configuration

Specifications:

- ⊕ Mechanical Power Requirements:
½ HP drive
- ⊕ Electrical Power Requirements:
120 VAC
60 Hz
10 Amp
- ⊕ Maximum Cycle Speed: 300 Ft/Min
- ⊕ Media Size (paper):
Minimum: 3.0" x 5.0"
Maximum: 13.0" W x 17.0"L
Min/Max Thickness: 0.007" to 0.63"
- ⊕ Physical Dimensions:
Length: 68.0"
Width: 26.0"
Height: 37.0"

**Specifications subject to change without notification

**Guards may have been removed for clarity. Do not operate machine without guards in place.