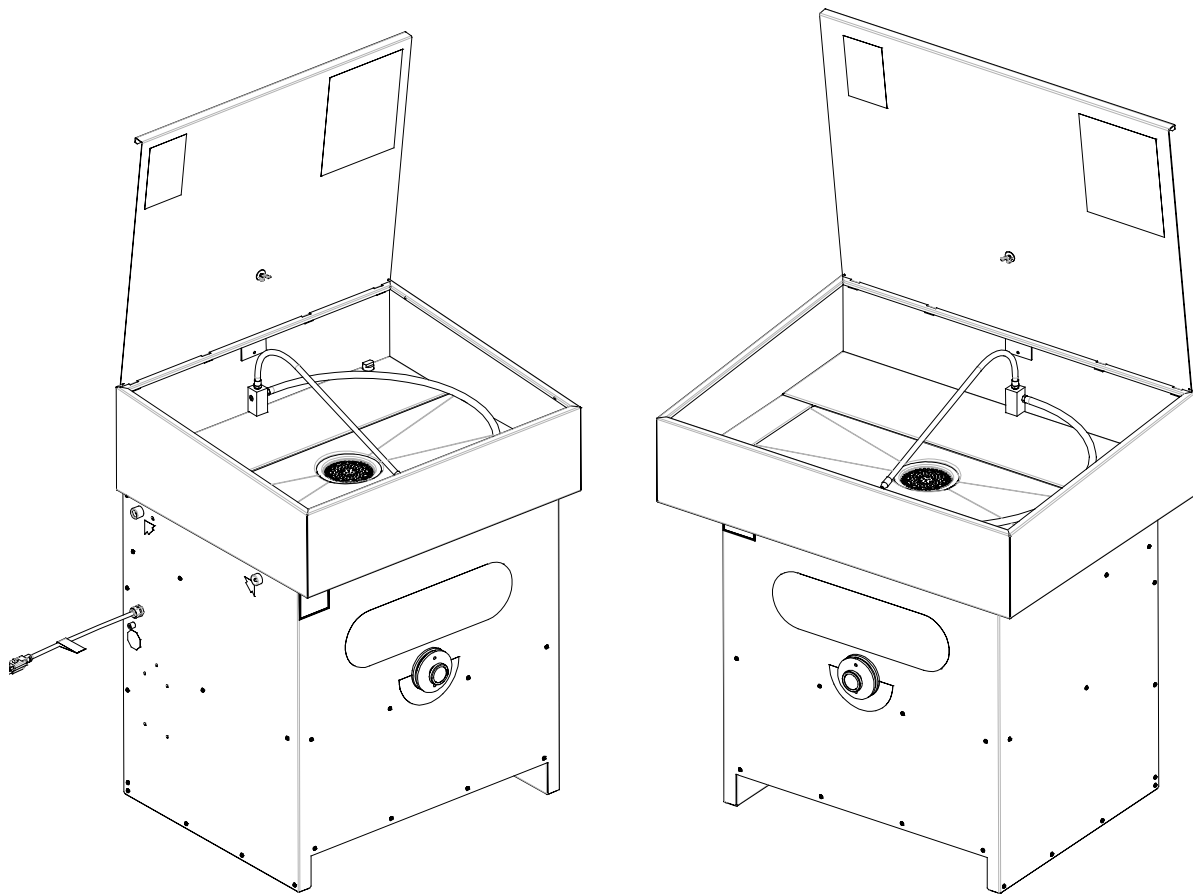


# SYSTEMOne®

## INSTRUCTION MANUAL

### MODEL 501/571



**FOR ASSISTANCE CALL 1-800-711-1414**

# TABLE OF CONTENTS

SECTION	PAGE
1. Safe Use Instructions.....	3
a. General	
b. Installation	
c. Operation	
d. Service	
2. Introduction.....	4
a. Product Illustration	
3. Specifications.....	5
a. Product Specifications	
b. Approved Solvents	
c. Certifications	
4. Installation and Setup.....	6
a. Unpacking and Setup	
5. Operating Instructions.....	6
a. Wash Operation	
b. Recycling Operation	
6. Troubleshooting.....	7
7. Warranty Information.....	8

# SAFE USE INSTRUCTIONS

## General

- **KEEP THIS MANUAL AND MSDS IN A PLACE THAT IS READILY AVAILABLE TO THE USER.**
- Read and understand the Instruction Manual and Material Safety Data Sheet (MSDS) for the solvent used in the Recycling Parts Washer.
- Observe all warnings posted in this manual and on the equipment.
- **FIRST AID:** See MSDS for detailed information.
  - **EYE CONTACT:** For eyes, immediately flush with plenty of water for 15 minutes and CALL A PHYSICIAN.
  - **SKIN CONTACT:** In case of contact with skin immediately remove contaminated clothing. Wash thoroughly with soap and water. Wash contaminated clothing before reuse. Discard contaminated shoes.
  - **INHALATION:** After high vapor exposure, remove to fresh air. If breathing is difficult, give oxygen. If breathing has stopped give artificial respiration. CALL A PHYSICIAN IMMEDIATELY!
  - **SWALLOWING:** If swallowed, CALL A PHYSICIAN IMMEDIATELY! Do NOT induce vomiting. Have patient lie down and keep warm. Vomiting may lead to pneumonitis, which may be fatal.
- **FIRE FIGHTING:** In case of fire see MSDS for detailed information.
- **ACCIDENTAL RELEASE:** See MSDS for detailed information.
  - Following appropriate environmental procedure. Promptly clean up any spills. Stop leaks only when there is no risk or danger. Notify *SystemOne*<sup>®</sup> Service Support at 1-800-711-1414 immediately.
- **HANDLING AND STORAGE OF SOLVENT:** See MSDS for detailed information.
  - Do not smoke, eat or drink in the work area. Use good personal hygiene. Wash thoroughly with soap and water after handling and before eating, drinking or using tobacco products.
  - Always wear the appropriate protective equipment (e.g. gloves, eyewear, apron, etc.).
  - **KEEP OUT OF REACH OF CHILDREN AT ALL TIMES.**
- **CAUTION:** To reduce the risk of fire or explosion, install, operate, and maintain this equipment in accordance with this manual.
- Operating this equipment in an unventilated area is **not** recommended and may be hazardous to your health.

## Installation

- This unit is for use in a 103°F (39.5°C) environment with no forced ventilation. Under these conditions the unit shall be spaced 3 feet from potential sources of ignition such as electrical receptacles, switched, pilot lights, fixtures, contacts, and other similar equipment that can produce sparks. If the equipment is used in higher ambient temperatures, an increase in spacing to sources of ignition shall be considered.
- Ensure the Recycling Parts Washer is properly grounded and the power connected in accordance with local area requirements.

## Operation

- **WARNING:** Solvent used in this Recycling Parts Washer is a combustible liquid and vapor. Adding other chemicals to the cleaning solvent, including but not limited to kerosene, fuel oil, gasoline, detergents, or chlorinated solvents may cause hazardous conditions which the manufacturer has no control over and bears no responsibility.
- The parts washer lid has a fusible link assembly that holds the lid open during use. This fusible link is a safety feature designed to release the lid in case of fire allowing the lid to close. Do not modify, alter, or obstruct the operation of the fusible link. Do not leave unattended objects in the sink which would interfere with the closing of the lid.
- Do not place hot parts into the Recycling Parts Washer.
- Do not spray aerosols into or around Recycling Parts Washer.
- Do not clean or degrease porous or absorbent materials, such as cloth, leather, wood or paper.
- Do not operate Recycling Parts Washer if any leak is apparent or occurs during use. Contact your service representative.
- Unit produces heat. Do not open the distillation drain knob during a recycle process, or if hot to touch. Allow the unit to complete the recycle process and **always be sure it is cool before attempting to remove oil waste.**
- Close fire lid when not in use.
- Cleaning operations should be conducted in a manner that prevents spillage, splashing, or misting.

## Service

- Service should only be performed by an authorized technician. Risk of electric shock or serious injury may occur if improperly serviced.
- **MODIFICATION OF EQUIPMENT WILL VOID THE MANUFACTURER WARRANTY.**

# INTRODUCTION

## Product Illustration

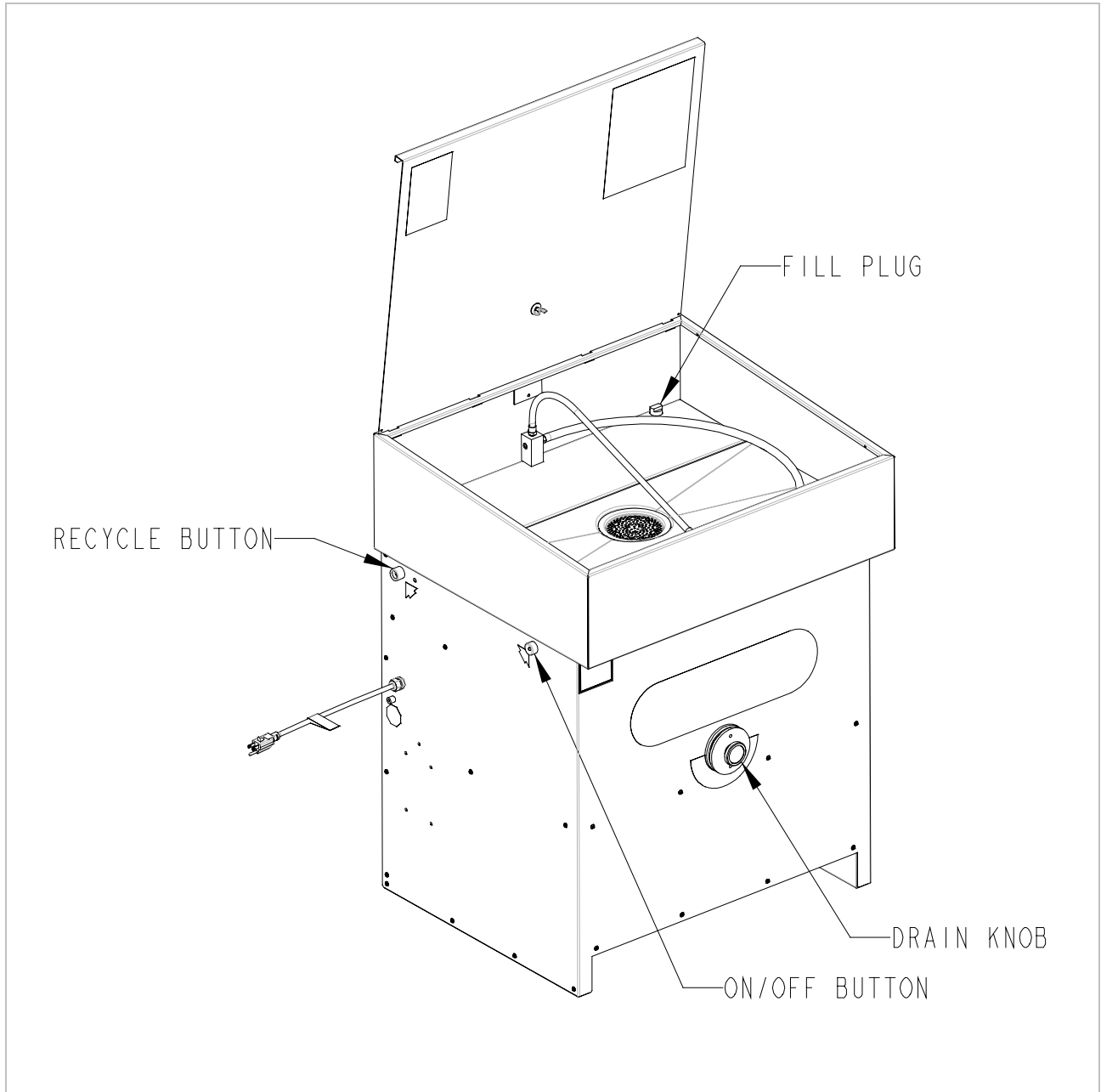


Figure 1

# SPECIFICATIONS

## Product Specifications

Power Requirements: 115VAC, 60 Hz, 12A  
 Environment: 41°F to 104°F (5°C to 40°C)  
 Solvent Capacity: 20 gallons US

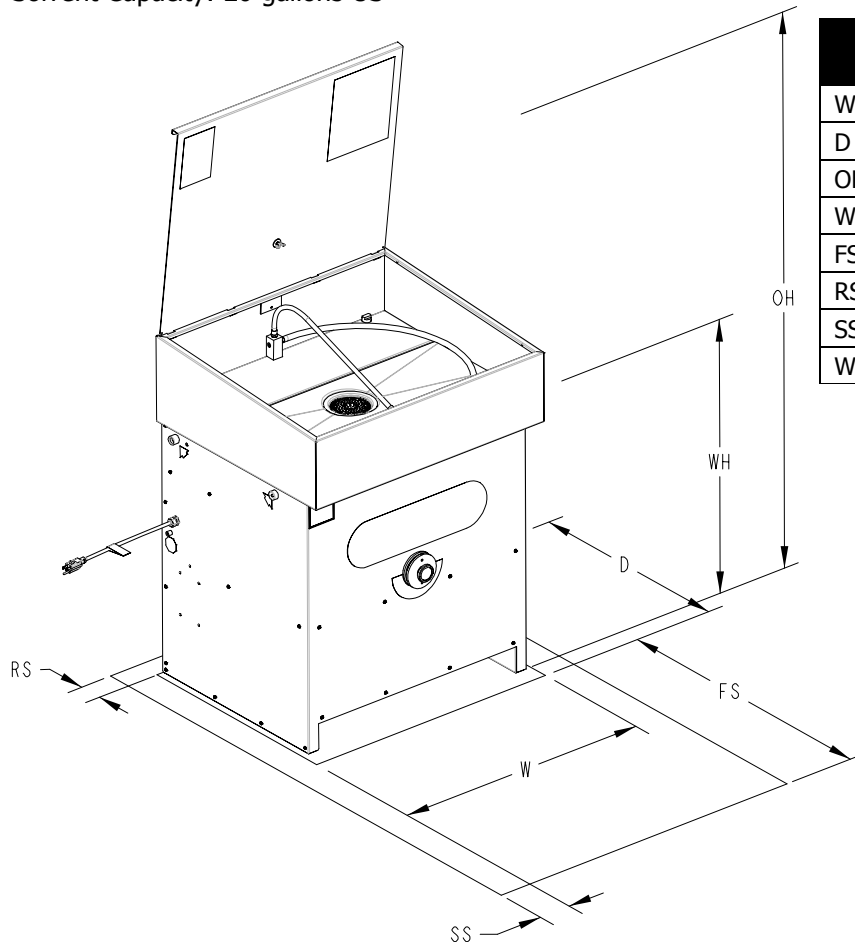


Figure 2

Specification	Model 501	Model 571
W (Width) Floor Space	32"	39"
D (Depth) Floor Space	27"	29"
OH (Operating Height)	68"	70"
WH (Working Height)	33.50"	33.50"
FS (Front Spacing)	36"	36"
RS (Rear Spacing)	3"	3"
SS (Side Spacing)	4"	4"
Weight (Empty)	326 lbs.	342 lbs.

## Approved Solvents

This unit is approved for mineral spirits with a flashpoint greater than 140°. Notify manufacturer for latest list of approved solvents.

CAUTION: Avoid distilling solvents that may include unstable reactives, such as Nitrocellulose.

## Certifications

This unit is ETL listed and conforms to UL 2208, Standard for Solvent Distillation Units and is certified to CAN/CSA C22.2 no.88.

# INSTALLATION AND SETUP

## Unpacking and Setup

1. Attach fire lid bracket to unit as shown in Figure 3.
2. Connect unit to a dedicated 15 ampere branch circuit. Use of an extension cord is not permitted.
  - CAUTION- To provide continued protection against risk of electrical shock, fire, and explosion, connect to properly grounded outlets only.
3. Fill Reservoir: Remove fill plug and add solvent. Use a dip stick to monitor fluid level when filling. MAXIMUM 20 GALLONS.

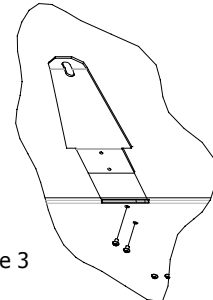


Figure 3

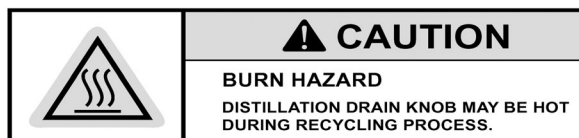
# OPERATING INSTRUCTIONS

## Wash Operation

1. Ensure the machine is plugged into a grounded 3-prong outlet before pressing the on/off button.
2. Put on protective eyewear, gloves, clothing, and shoes before operating unit.
3. Lift lid. Be sure latch catches so lid is held in the open position.
4. Wipe off loose or excess dirt from part or assembly, and drain all excess fluids before placing parts into the wash basin.
5. Adjust nozzle so that it is centered inside the wash basin.
6. Push the on/off button to start solvent flow through spigot and flow-through brush. Solvent flow will stop after 15 minutes or when the on/off button is pressed again. If solvent does not flow when the on/off button is pressed, additional solvent may be transferred to the wash basin. Press and hold the on/off button for twenty seconds. Repeat procedure if necessary.
7. Clean all parts in the wash basin. Avoid splashing outside of the wash basin. Use a stiff brush to remove heavy deposits. When not in use, place the brush in the wash basin. Do not set brush down outside of the wash basin.
8. Drain clean parts in the wash basin for approximately 15 seconds or until dripping ceases.
9. Close lid when not in use.

## Recycling Operation

1. Push recycle button once to transfer dirty solvent into the distillation tank and return clean fluid to the wash basin. The clean fluid transfer takes about 4 minutes, at which time the operator may then resume use of the machine.
2. Although the recycling process may run for several hours, it will stop automatically once the cycle is complete. There is a 1 hour lockout period where another recycle process cannot be started. Do not unplug the unit during this process.
3. For periodic draining of residue, wait until the machine cools down and the temperature indicator turns green. Unscrew the drain knob and allow the residue to drain into a container. Reinstall the drain knob and dispose of the residue according to local regulations.



## TROUBLESHOOTING

Problem	Solution
<b>Wash pump not running</b>	Press on/off button.
	Check power cord connection.
	Check outlet/circuit breaker.
	Contact customer service.
<b>Wash pump runs but no solvent flow</b>	Check for low solvent level by removing the strainer basket. Additional solvent may be transferred to the wash basin. Press and hold the on/off button for twenty seconds. Repeat procedure if necessary.
	Contact customer service.
<b>Recycle process not starting</b>	Wait for 1 hour if unit just completed a cycle. Unit has a 1 hour lockout.
	Check power cord connection.
	Check outlet/circuit breaker.
	Contact customer service.
<b>Solvent in distillation chamber</b>	Cycle may have stopped prior to completion. Option 1: Distillation can be continued without transferring fluid from the wash basin by pressing the technician override button. Option 2: Press the recycle button to run a new distillation.
	Contact customer service.
<b>Solvent does not stay in wash basin</b>	Remove debris around pneumatic cylinder located under the wash basin false floors.
	Contact customer service.
<b>Vacuum Pump sounds louder than normal</b>	Check for debris underneath the unit and rebalance it.
	Distillation chamber is overfilled, remove excess fluid through the drain knob and press the technician override button to restart the distillation.
	Contact customer service.
<b>Wash basin overfilled</b>	Too much solvent was transferred into the wash basin by holding the on/off button.
	Holding tank is too full and overflowed into the wash basin. Remove excess fluid from the holding tank and run a distillation cycle to place fluid back into holding tank.
	Contact customer service.
<b>Machine is beeping</b>	Fluid level is low due to removal of solvent to remote locations. Replace or return solvent to unit.
	Contact customer service.



## MANUFACTURER'S WARRANTY INFORMATION

**DEFECTS & PERFORMANCE:** SystemOne products ("Equipment") are warranted by SystemOne Technologies Inc., ("Manufacturer"), to be free of defects in materials and workmanship and to perform in accordance with the Manufacturer's specifications and operating manual ("Warranty") for five (5) years commencing on the date of delivery (Warranty Period). During the Warranty Period, the Manufacturer will repair, or at its option, replace the Equipment with like Equipment, free of charge.

**WARRANTY REPAIRS:** Warranty related repairs for Equipment may be performed on site at the Equipment location by the Manufacturer's authorized service agents or, at the Manufacturer's option, Manufacturer will supply required parts to the customer with detailed installation instructions for on site repair by the customer.

**ENVIRONMENTAL INFORMATION:** Equipment owners/users/operators are responsible for establishing the waste characteristics of their waste stream including (but not limited to) dried paint generated as distillation residue. If information on specific products is unavailable, or if the hazardous or non-hazardous determination is inconclusive, customer should have a waste stream TCLP conducted by a commercial lab. Contact local and state authorities, as well as the EPA when in receipt of your waste analysis to determine the residue disposal requirements in your area.

**LIMITED WARRANTY:** The Manufacturer shall not be responsible under this limited Warranty for damages resulting from (i) failure to follow Manufacturer's installation, operation or maintenance instructions, (ii) Unauthorized system modification or alteration under the customer's control, (iii) accident, abuse, misuse or negligent acts or omissions of the customer or persons under the customer's control; or acts of God. THERE ARE NO OTHER EXPRESS WARRANTIES, WHETHER WRITTEN OR ORAL, OTHER THAN THE WARRANTY SET FORTH IN PARAGRAPH 1 ABOVE. ALL IMPLIED WARRANTIES, INCLUDING WITHOUT LIMITATION THE IMPLIED WARRANTIES OF MERCHANTABILITY OR FITNESS FOR A PARTICULAR PURPOSE ARE EXPRESSLY DISCLAIMED.

**LIMITATION OF WARRANTY:** The liability of the Manufacturer and its affiliates, distributors and suppliers for any claims, losses, damages or expenses from any cause whatsoever (including acts or omissions of third parties), regardless of the form of action, whether in contract, tort, or otherwise shall not exceed the lesser of (i) the direct damages proven, (ii) the repair or replacement cost, lease payoff or purchase price, as the case may be, of the Equipment that directly gives rise to the claim. The Manufacturer shall not be responsible for any incidental, special, punitive, exemplary, reliance, consequential (including but not limited to lost profits or lost revenues) or indirect loss or damage incurred in connection with the Equipment to the full extent those damages can be disclaimed by law. For personal injury caused by the Manufacturer's negligence, the Manufacturer's negligence shall be limited to proven damages to person. No action or proceeding against the Manufacturer or its affiliates, distributors or suppliers may be commenced more than twelve (12) months after the cause of action occurs.