

Installation, Operation and Maintenance Manual

DynaSeal® 310F 2-Piece Flanged End Ball Valve

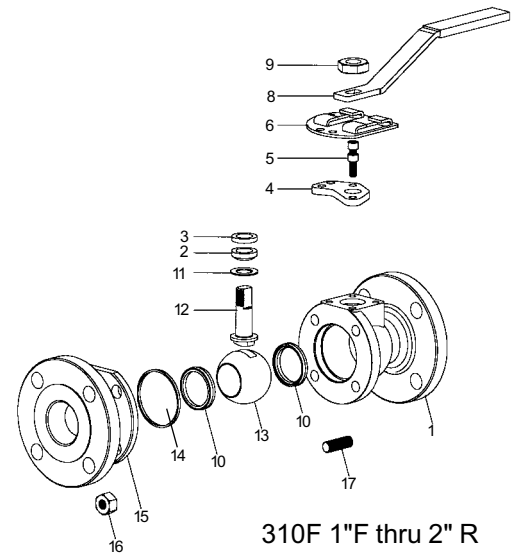
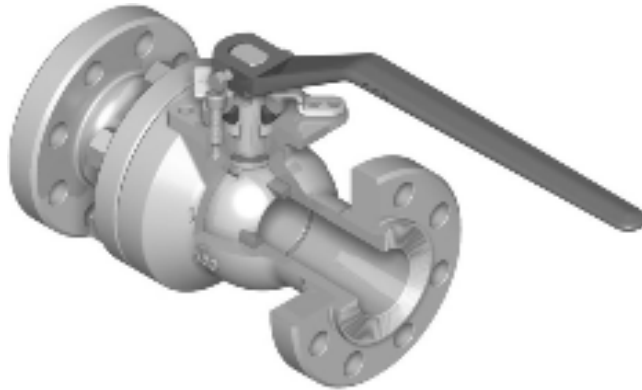
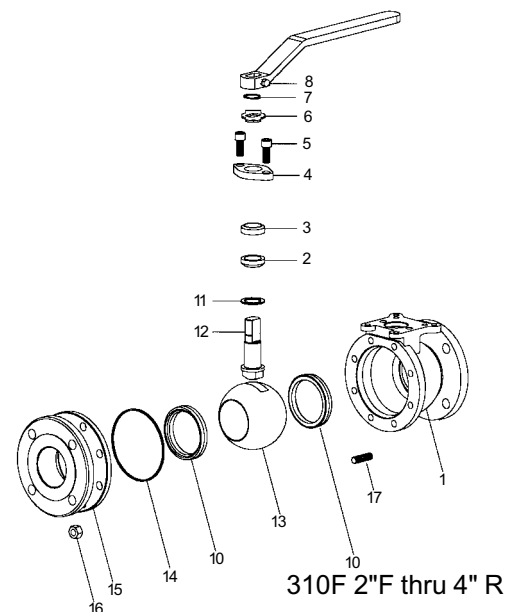


Table of Contents

Scope	1
Nameplate Information	2
Storage	2
Installation	2-3
Operation	3
Routine Maintenance	3
Trouble Shooting	4

Item	Description
1	Body
2	Packing
3	Compression Ring
4	Bonnet Cap
5	Cap Screws
6	Stop Plate
7	Retainer Ring
8	Handle/Lever
9	Lock Nut
10	Seat Ring
11	Stem Seal
12	Stem
13	Ball
14	Tailpiece Gasket
15	Tailpiece
16	Nut
17	Stud

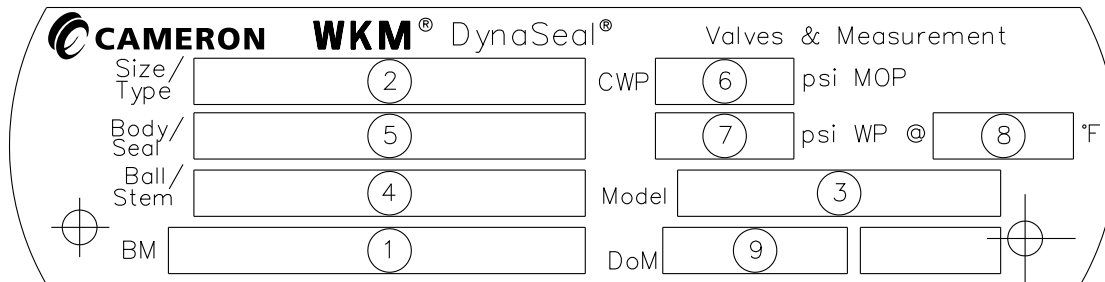


Scope

The WKM DynaSeal 310F ball valve is designed to meet tougher industry requirements while maintaining key features of the WKM floating ball valve. It has deep-pocketed seats, an adjustable, replaceable stem packing and is available in carbon steel and stainless. The 310F is offered in sizes 1F" to 4"R and class 150, 300 and 600 flanged ends.



Nameplate Information



Item	Description
1	Assembly part number
2	Nominal valve size and type designation
3	Model number
4	Ball-Stem material designation
5	Body & Seat-seal code designation

Item	Description
6	Maximum operating pressure
7	Maximum working pressure
8	Maximum temperature
9	Date of manufacture

Storage

After valves are assembled and tested, they are placed in the full open position, flange seal surfaces and bores are greased and end protectors are installed. This will provide adequate protection for indoor storage. Extended outdoor storage requires periodic inspection and the addition of a corrosion inhibitor. Contact your Cameron representative for extended storage guidelines. Valves should only be stored in the full open or full close position to prevent seat distortion.

Installation

DynaSeal 310F ball valves may be installed in any position with flow from either direction. However, for best service life there is a *preferred* vertical or horizontal position to maximize sealing and minimize the accumulation of sediment. In the vertical position it is preferred to have the upstream pressure from above so the weight of the ball will assist the pressure in sealing. With the run of the valve in a horizontal position, it is preferred to have the stem lying horizontal (i.e. toward the viewer) with pressure from the right. During operation, flow will act as a siphon and minimize retention of sediment.

When handling or installing a valve, keep the valve in the full open position whenever possible to prevent foreign object damage to the ball.

Flanged-End valves may be bolted into the line using two open or boxed end wrenches.

1. Threads of flange bolts and nuts should be lubricated to obtain maximum loading of bolts.
2. Finger tighten all nuts first.
3. When tightening bolts, use the crisscross method and torque each bolt to ANSI or gasket manufacturer specification.

Field testing, if performed after the valve has been properly installed into the line, should be done in accordance with the following procedure:

Caution: Ensure that all test fluids contain corrosion inhibitors that are compatible with valve seat and seal material.

1. Preliminary Testing - Completely flush the system or the line to minimize damage to the seats and ball surface which might be caused by weld slag or other foreign matter resulting from installation procedures.
2. Line Testing - When performing this test, the valve should be in the half-open position to ensure that the body cavity is completely filled with the test media and to prevent accidental over pressure of the seats. NOTE: Line may be tested at a maximum of 1-1/2 times the valve's cold working pressure rating without consulting the factory.
3. Seat Testing - When testing the seats with the

valve in the closed position, do not exceed the valve's cold working pressure rating.

4. Upon completion of testing, purge all test fluids from the valve.

Operation

DynaSeal 310F ball valves operate from fully open to fully closed by a 90-degree turn of the handle. The handle aligned with the pipe always means the valve is open and with the handle perpendicular to the pipe means the valve is closed. Additionally, the stems have flats that align the handle and can be used to indicate ball position. The bore of the ball is parallel with the faces of the stem flats.

DynaSeal 310F valves may be power actuated. Pneumatic and hydraulic actuators, whether of the fail-open, fail-close, or fail-last position type, have "Open-Close" indicators on the top of each unit. On a pneumatic actuator, make sure filters and lubricators (if recommended by the actuator manufacturer) are installed prior to valve and actuator installation. Should any maintenance be necessary, obtain the part number from the unit's nameplate and contact the nearest Valves and Measurement group representative.

Routine Maintenance

Due to its design and simplicity the 310F ball valve requires very little maintenance. It's non-lubricated, self-cleaning ball can provide reliable, leak-free performance over a long period of time.

The only preventative maintenance recommended is to periodically inspect the valve for leaks around the stem or actuator. Should a leak be noticed, the following procedure is for adjusting the packing.

Stem Packing Adjustment -

1. With an Allen wrench, snug up each of the two packing adjustment screws in a clockwise direction.
2. Snug up each screw an equal amount only as much as required to stop the leak, not to exceed the maximum specified in the following table.
3. The following table gives torque values that will seal stem packing in good condition. Torque values above this indicate seals are worn and need replacement and excessive tightening will also cause an unacceptable increase in valve stem torque.

Torque Values for Packing Adjustment Screws

Valve Size	Screw Size	Torque (Packing)	
		in-lb	(kg-m)
1F	1/4-20 NC	36-60	(0.4-0.7)
1-1/2F & 2R	5/16-18 NC	60-120	(0.7-1.4)
2F & 3x2	3/8-16 NC	120-180	(1.4-2.1)
3F & 4R	1/2-13 NC	180-240	(2.1-2.8)

Warning: Valves should be placed in a partially open position prior to working on valve or removing it from service to vent pressure or drain product that may be trapped in the body cavity.

Troubleshooting Chart

Trouble	Probable Cause	Remedy
Will not open or close	<ul style="list-style-type: none"> a. Iced up due to restricted flow or low temperature. b. Pressure locked. (condition in which the body pressure exceeds the line pressure by an excessive amount. 	<ul style="list-style-type: none"> a. Flush out with warm material b. Reduce valve temperature or pressurize line to rated working pressure to reduce pressure differential sufficient to operate valve.
Hard to operate	<ul style="list-style-type: none"> a. Accumulation or solidification of material in the body of valve. b. Swelling seats. c. Corrosion between stem and valve body. d. Operator not installed properly. 	<ul style="list-style-type: none"> a. Flush valve to get material out of body. b. Install correct trim.* c. Apply penetration oil around stem. If still won't operate disassemble valve and polish stem.* d. Check operator.
Will not seal properly	<ul style="list-style-type: none"> a. Worn or damaged seats and/or ball. b. Foreign matter between seat and ball. c. Operator stops not properly set. 	<ul style="list-style-type: none"> a. Replace worn parts.* (Requires valve removal and disassembly). b. Operate several times to wipe clean. c. Adjust stops to proper setting.
Valve leaking between body and tailpiece.	<ul style="list-style-type: none"> a. Leaking tailpiece gasket. b. Tailpiece and valve body are not tightened together properly. 	<ul style="list-style-type: none"> a. Replace gasket.* (Requires valve removal and disassembly). b. Tighten parts to specified torque.*
Leaking around stem.	<ul style="list-style-type: none"> a. Loose stem packing. b. Worn or damaged stem packing. 	<ul style="list-style-type: none"> a. Adjust stem packing screws. b. Replace stem packing.*

*Contact your Cameron's Valves & Measurement group representative for a Repair Manual

WKM®



3250 Briarpark Drive, Suite 300
Houston, Texas 77042
USA Toll Free 800 323 9160

For the most current contact and location information go to: www.c-a-m.com

© Cameron's Valves & Measurement Group 04/07 IOM-WKM-310F