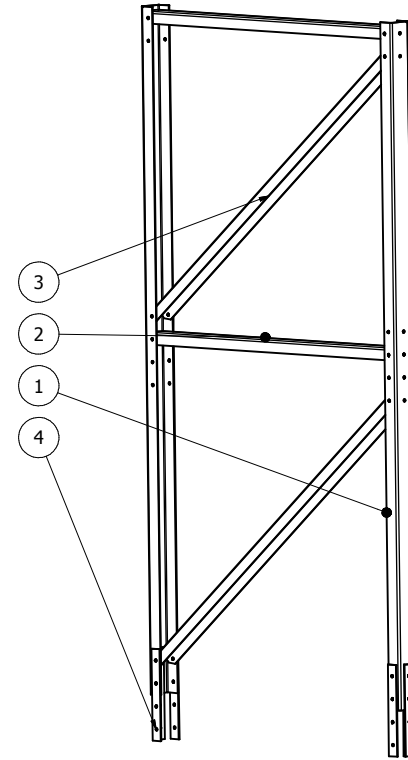
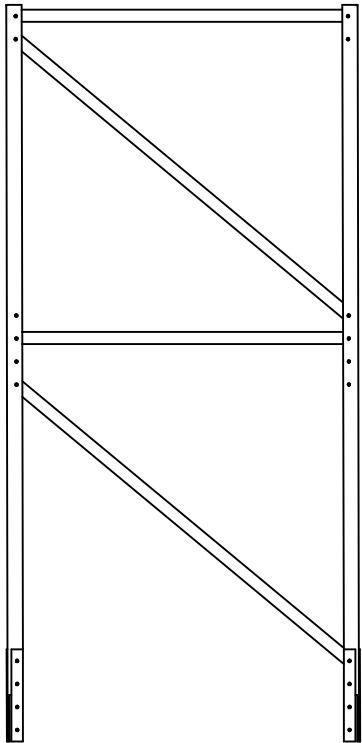


| Parts List | | | |
|------------|-----|-------------------------|-------------|
| ITEM | QTY | PART NUMBER | DESCRIPTION |
| 1 | 2 | WMS12 Wall siderail | |
| 2 | 2 | WCB02 Cross Brace | |
| 3 | 2 | WDB01 | |
| 4 | 8 | WSP01 Wall Splice Plate | |
| 5 | 42 | 7/16 x 1 cs | |
| 6 | 42 | 7/16 whiz nuts | |



| | | | | |
|-----------------------|----------|--|---|-----|
| DRAWN Rex A Greene | 8/4/2005 | Greene Welding and Hardware Inc. Greene Galvanized Stairs 217/375/4244 www.greenebinstairs.com | | |
| CHECKED | | TITLE | | |
| QA | | MFG | | |
| MFG | | APPROVED | | |
| APPROVED | | SIZE C | DWG NO WME102 10' ext for 2 stiff wall mount | REV |
| | | SCALE NA | SHEET 1 OF 1 | |