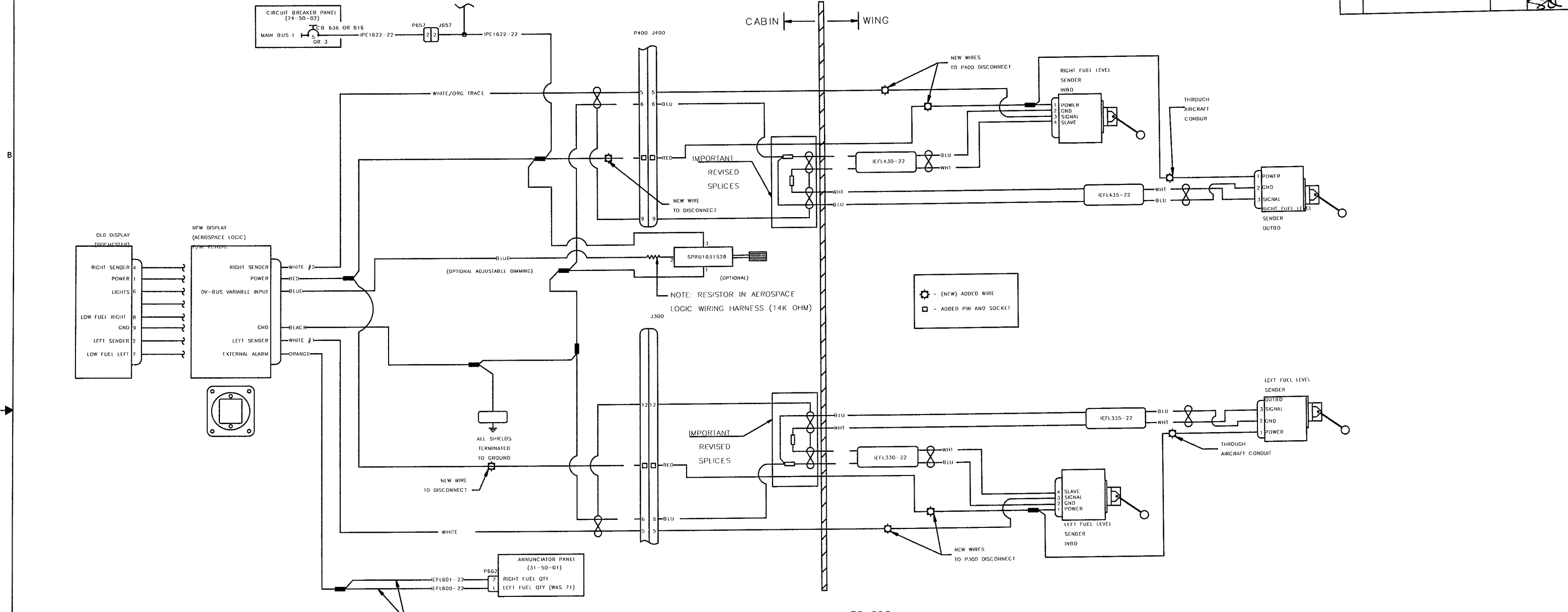


PROPRIETARY NOTICE
 INFORMATION DISCLOSED HEREIN IS THE PROPERTY OF CIES INCORPORATED. IT IS FURNISHED FOR EVALUATION PURPOSES ONLY AND SHALL NOT BE DISCLOSED OR USED FOR ANY OTHER PURPOSES EXCEPT AS SPECIFIED BY CONTRACT BETWEEN THE RECIPIENT AND CIES INCORPORATED. DUPLICATION OF ANY PORTION OF THIS DOCUMENT SHALL INCLUDE THIS NOTICE.

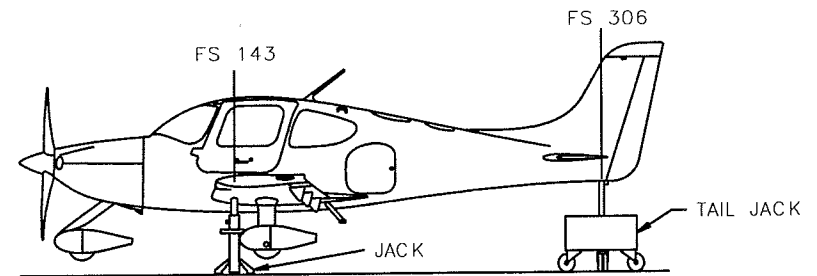
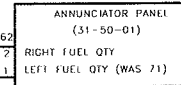
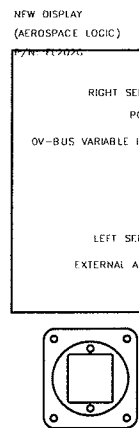
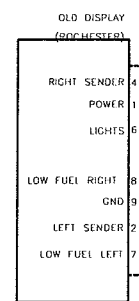
CIRRUS AVIDYNE & 6-PACK AIRCRAFT AEROSPACE LOGIC DISPLAY

DWG NO. CC2840990002

REVISION HISTORY			
REV	DESCRIPTION	DATE	APPROVED
-	INITIAL RELEASE	-	SEE BELOW
A	UPDATED AERO SPACE LOGIC LIGHTING INPUT.	3/10/2017	DRAWN: A FACKRELL CHECKED: UMS APPROVED: [Signature]

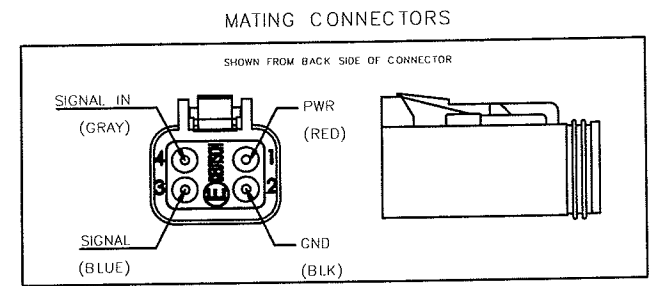


⚙️ - (NEW) ADDED WIRE
 □ - ADDED PIN AND SOCKET



INSTALL JACK STANDS PER AIRCRAFT MM PRIOR TO CALIBRATION

NOTE:
 AIRCRAFT MUST REMAIN LEVEL DURING ENTIRE CALIBRATION PROCESS



CONTROLLED COPY

UNLESS OTHERWISE SPECIFIED DIMENSIONS ARE IN INCHES. TOLERANCES ARE: DECIMALS .005 IN FRACTIONS 1/32 IN ANGLES ±.5° DO NOT SCALE DRAWING THIRD ANGLE PROJECTION	CONTRACT NO. 1375 SE WILSON AVE. SUITE 150 BEND, OR 97702	CIES INC.	1375 SE WILSON AVE. SUITE 150 BEND, OR 97702
APPROVALS	DATE	TITLE	WIRING INSTALLATION - CIRRUS AVIDYNE & 6-PACK
CHECKED	8/16/2016	DESIGNER	A FACKRELL
ENGINEER		CHECKED	
APPROVED		ENGINEER	
SIZE	D	CAGE CODE	CC2840990002
SCALE	NONE	DWG NO.	CC2840990002
		REV.	A
		SHEET	1 OF 1

APPROVED MAR 11 2017