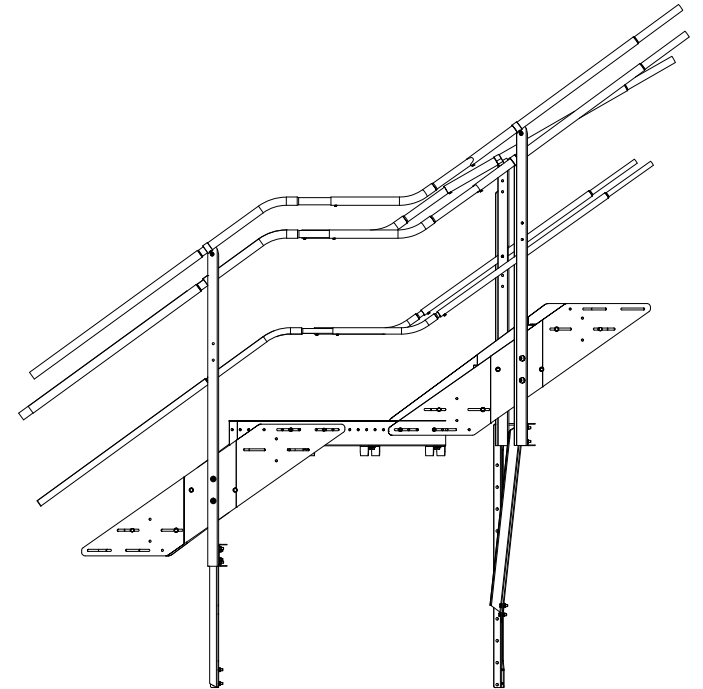
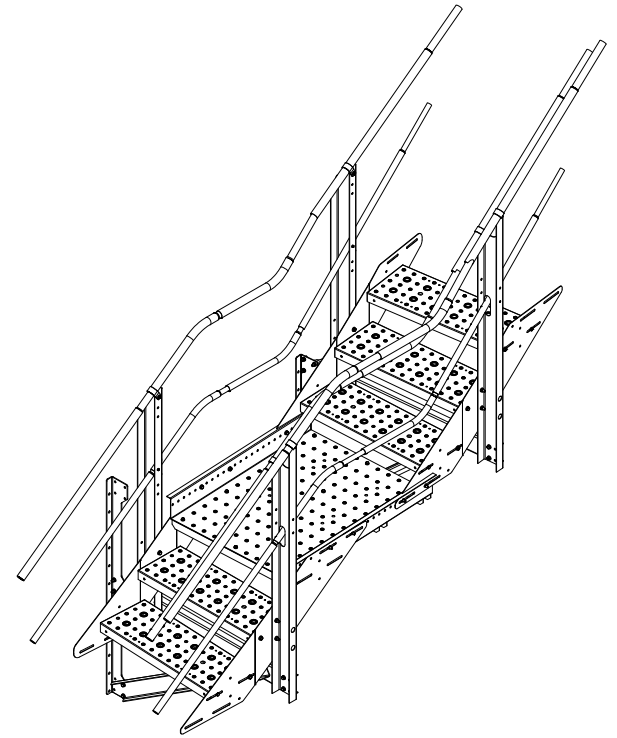
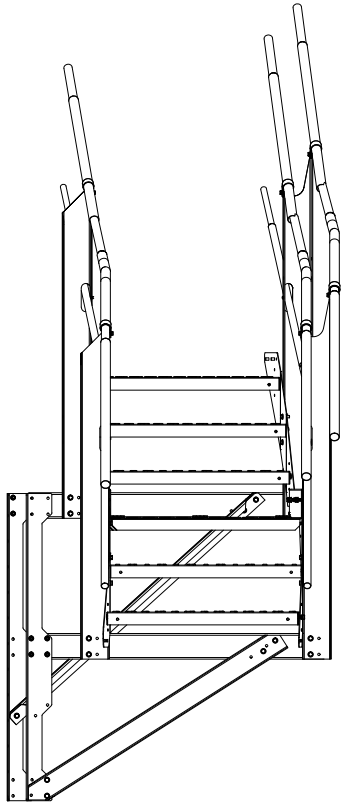


A-Series Rest Landing

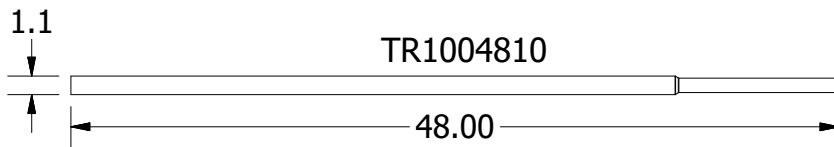
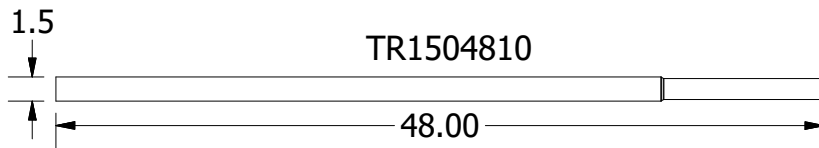
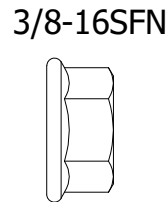
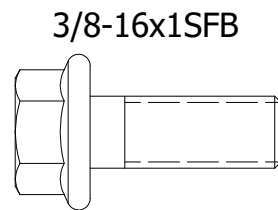
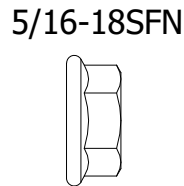
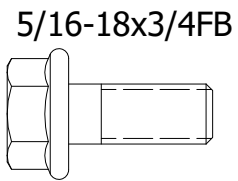
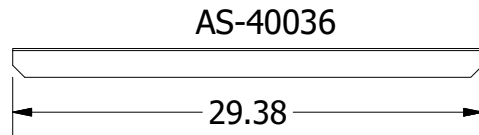
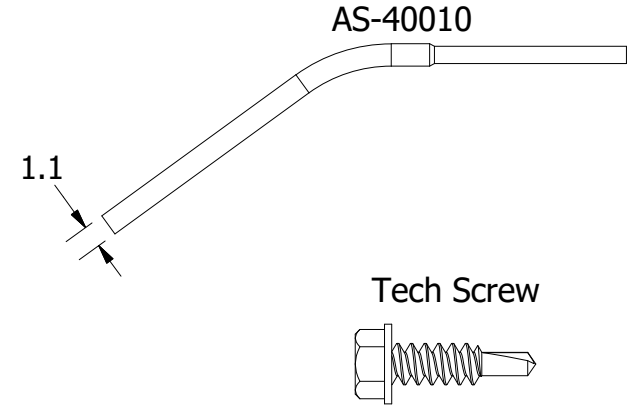
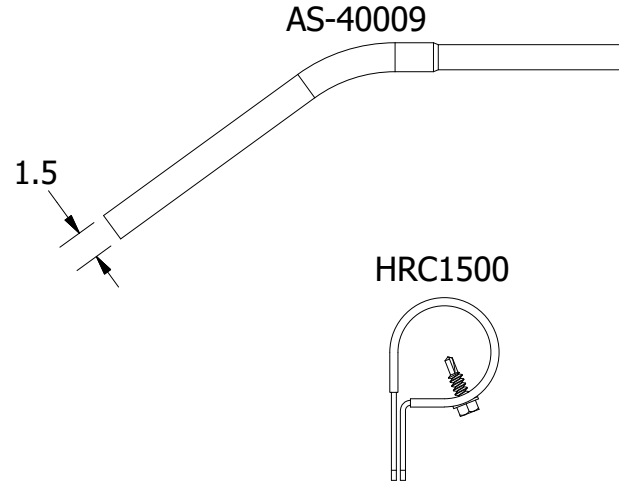
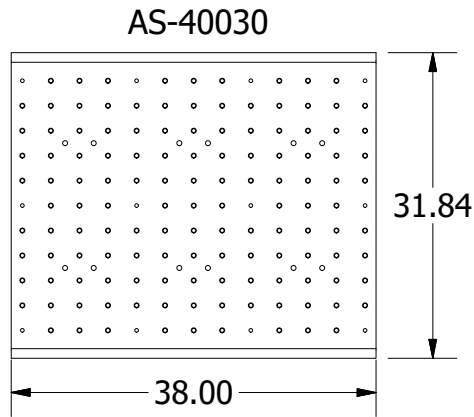
AWT3600

Assembly Instructions



Greene Galvanized Stairs

Parts List



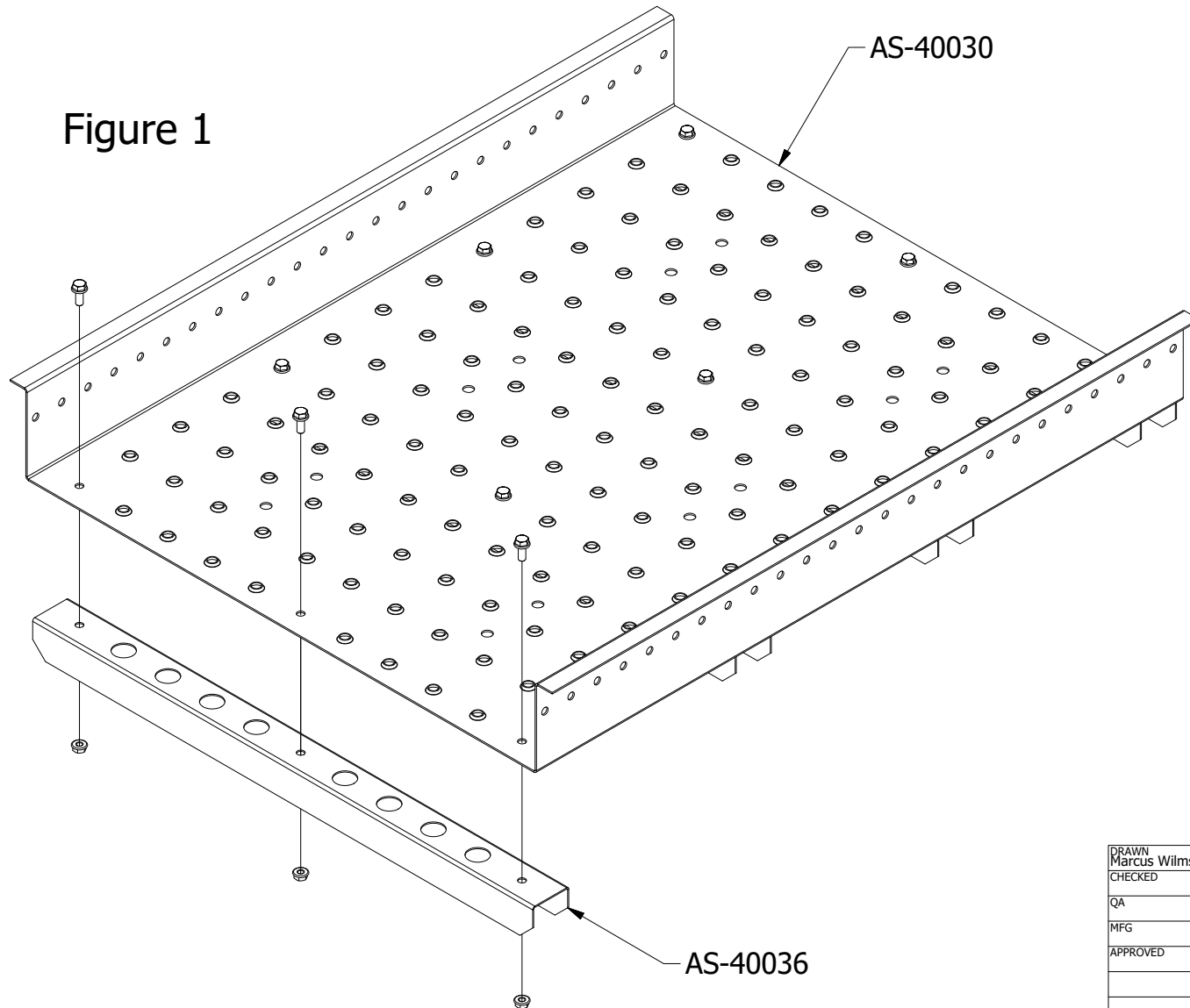
PARTS LIST		
PART NUMBER	DESCRIPTION	QTY
3/8-16x1SFB	3/8"-16 x 1" Flange Bolt	8
3/8-16SFN	3/8"-16 Whiz Lock Nut	8
AS-40030	Tread, Landing Skin	1
AS-40036	Channel Landing Support	4
Floor Bolt	Floor Bolt	12
5/16-18x3/4FB	5/16"-18 x 13/4" Flange Bolt	18
5/16-18SFN	5/16"-18 Whiz Lock Nut	18
HRC1500	1.5" Handrail Clamp	6
AS-40009	1.5" Rest Landing Swivel Elbow	6
AS-40010	1" Rest Landing Swivel Elbow	4
Tech Screw	Self-tapping screw	14
TR1504810	1.5" Handrail, 48" length	6
TR1004810	1" Handrail, 48" length	4

Step 1

- A. Assemble the rest landing deck by attaching the four AS-40036 support channels to the underside of AS-40030 landing skin.
- B. Fix the supports to the platform skin by using twelve (12) floor bolts and twelve (12) floor nuts.

PARTS USED IN STEP 1		
PART NUMBER	DESCRIPTION	QTY
AS-40030	Tread, Landing Skin	1
AS-40036	Channel Landing Support	4
Floor Bolt	Floor Bolt	12
Floor Nut	Hex Flange Nut	12

Figure 1



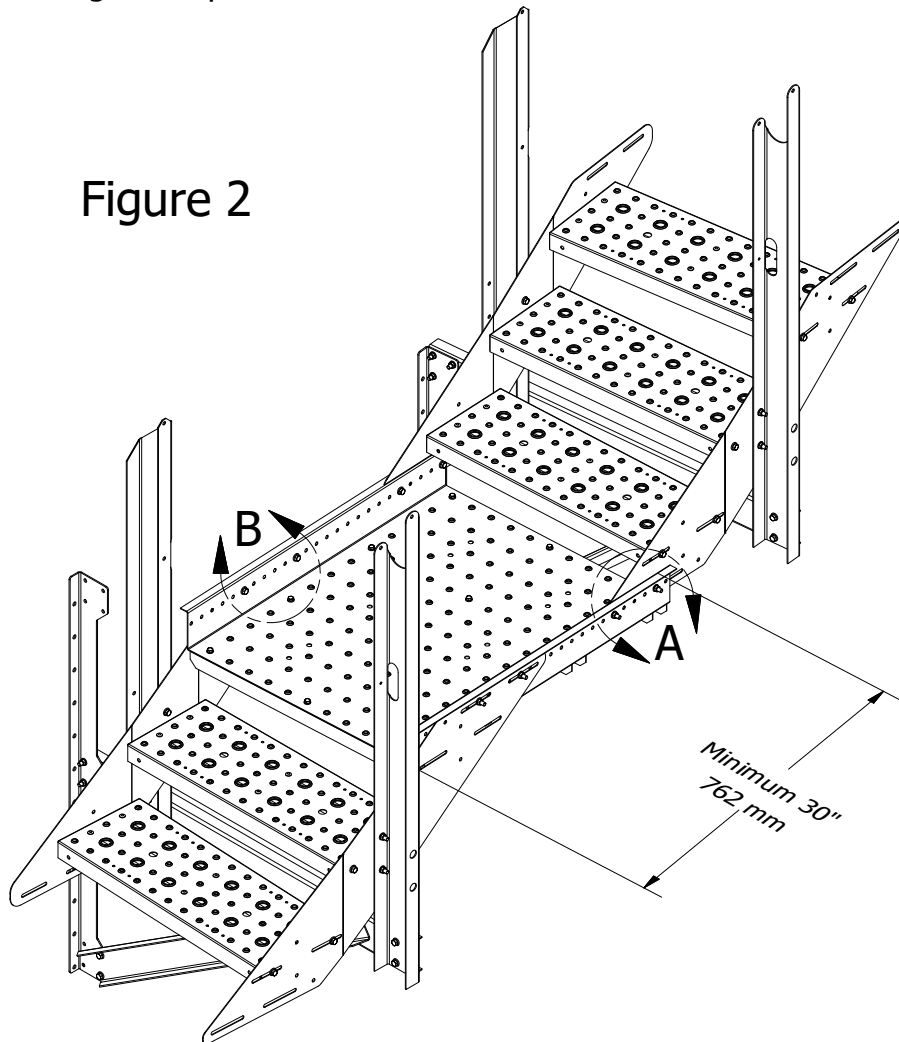
DRAWN Marcus Wilmsmeyer	6/4/2018	Greene Galvanized Stairs East Lynn, IL 217.375.4244 www.greenebinstairs.com	
CHECKED		TITLE	
QA		AWT3600 Assembly Instructions	
MFG		SIZE	DWG NO
APPROVED		A	IN-AWT3600
		SCALE	1/7
		SHEET	3 OF 7
		REV	

Step 2

On a 3600 assembly, two stair brackets will be 5 bolt spaces apart.

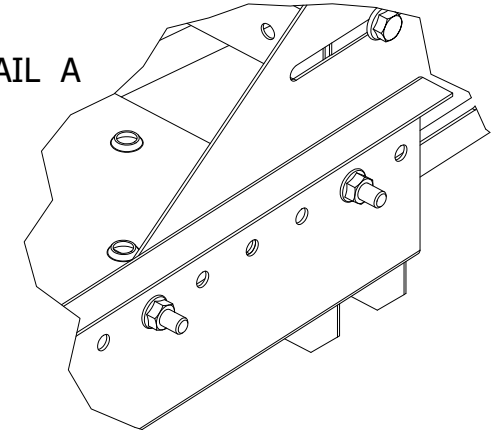
- A. Using eight (8) 3/8" Flange Bolts and eight (8) 3/8" Lock Nuts, secure the platform to the two stair sections.
- B. The bolt heads should be facing inwards, so as not to interfere with the walkway.
- C. Ensure that the platform has a minimum of 30" (762 mm) clear length between the front of the platform and the nose of the higher step.

Figure 2

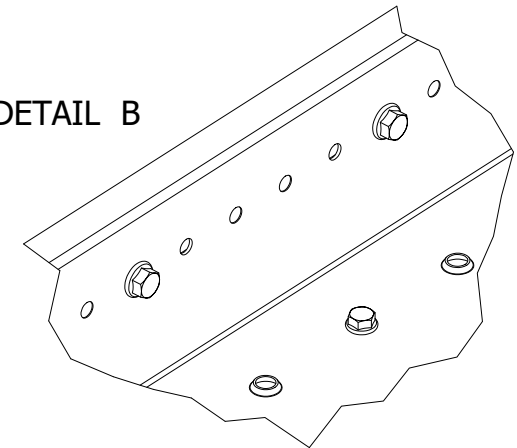


PARTS USED IN STEP 2		
PART NUMBER	DESCRIPTION	QTY
3/8-16x1SFB	3/8"-16 x 1" Flange Bolt	8
3/8-16SFN	3/8"-16 Whiz Lock Nut	8

DETAIL A



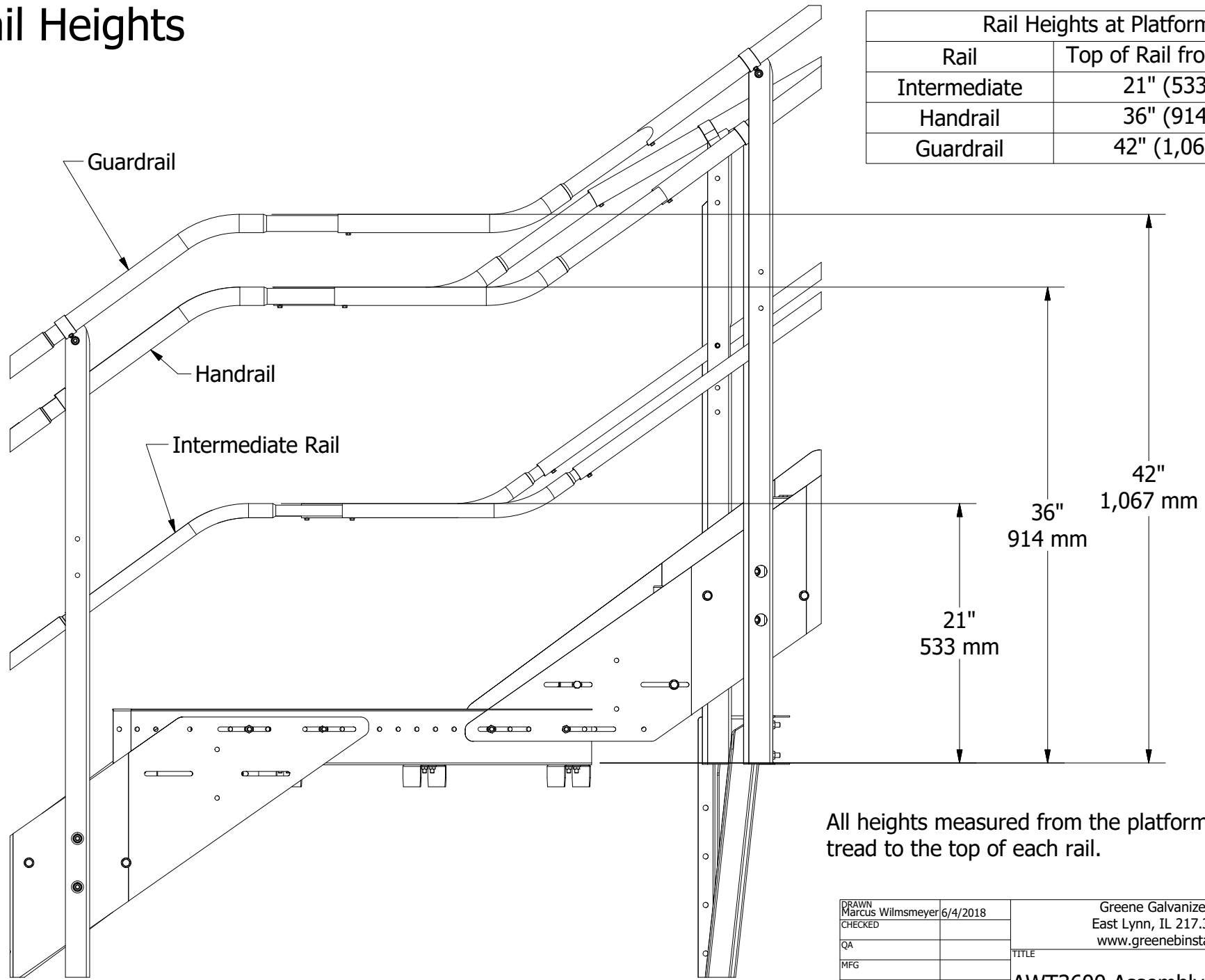
DETAIL B



DRAWN Marcus Wilmsmeyer	6/4/2018	Greene Galvanized Stairs East Lynn, IL 217.375.4244 www.greenebinstairs.com	
CHECKED		TITLE	
QA		AWT3600 Assembly Instructions	
MFG		SIZE A	DWG NO IN-AWT3600
APPROVED		SCALE 1/19	REV
		SHEET 4	OF 7

Rail Heights

Rail Heights at Platform	
Rail	Top of Rail from Walkway
Intermediate	21" (533 mm)
Handrail	36" (914 mm)
Guardrail	42" (1,067 mm)



All heights measured from the platform tread to the top of each rail.

DRAWN Marcus Wilmsmeyer	6/4/2018	Greene Galvanized Stairs East Lynn, IL 217.375.4244 www.greenebinstairs.com	
CHECKED		TITLE	
QA		AWT3600 Assembly Instructions	
MFG		SIZE A	DWG NO IN-AWT3600
APPROVED		SCALE 1/11	REV
		SHEET 5 OF 7	

Step 3

- A. Take six (6) HRC handrail clamps, and position them on the posts as shown in Figure 3.
- B. Place three (3) AS-40009 pipe rails in the bottom post HRC1500 clamps. Using one (1) 5/16" Flange Bolt and one (1) 5/16" Lock Nut on each clamp, tighten the nut to where the threads are engaging the nut slightly. The AS-40009 handrail pipe should still be adjustable at this point.
- C. Ensure the AS-40009 pipe rails are level, and tighten into the HRC1500 clamps.
- D. Place the next three (3) AS-40009 pipes at the end of the first set of AS-40009 pipes. These will hang loosely until the next step.
- E. Using two (2) Tech Screws, secure two (2) AS-40010 pipe rails into the open pocket of each post. A small guide hole in the post is where the screw should enter through.
- F. Place the next two (2) AS-40010 pipe rails at the ends of the first AS-40010 pipes. These will hang loosely until the next step.

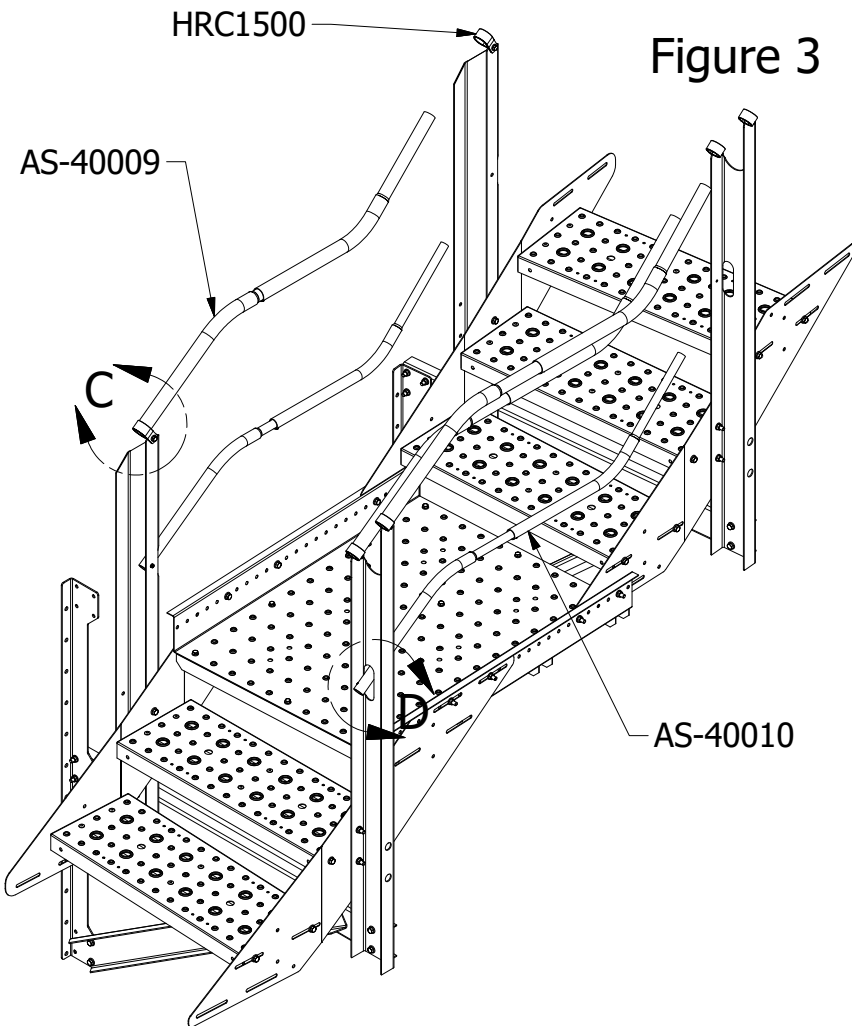
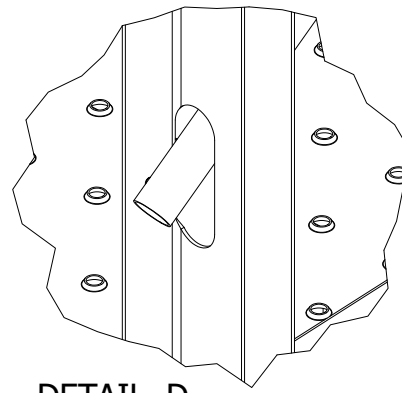
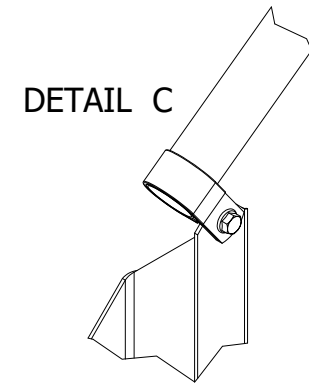


Figure 3

PARTS USED IN STEP 3		
PART NUMBER	DESCRIPTION	QTY
5/16-18x3/4FB	5/16"-18 x 13/4" Flange Bolt	18
5/16-18SFN	5/16"-18 Whiz Lock Nut	18
HRC1500	1.5" Handrail Clamp	6
AS-40009	1.5" Rest Landing Swivel Elbow	6
AS-40010	1" Rest Landing Swivel Elbow	4
Tech Screw	Self-tapping screw	7



DETAIL D



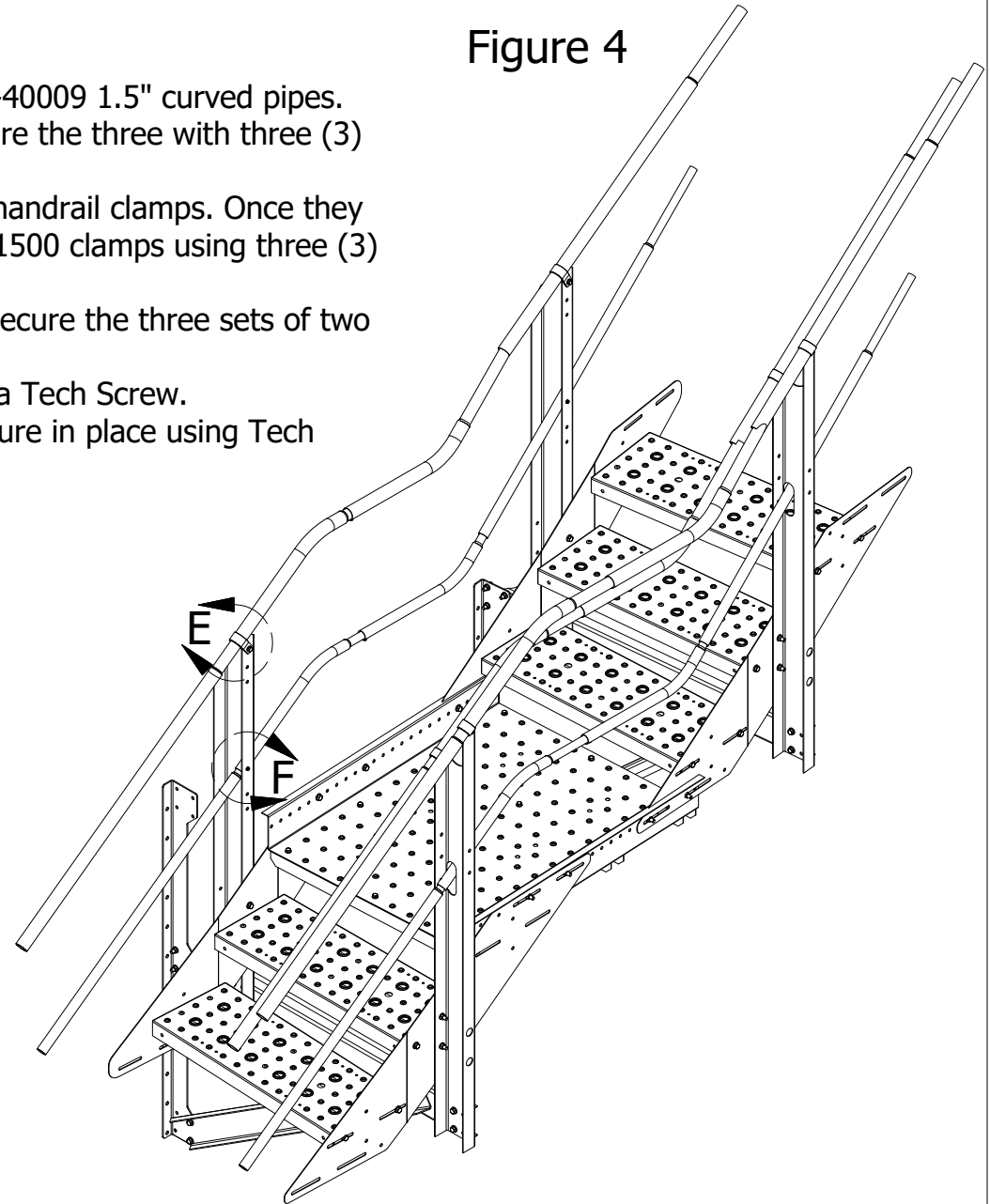
DETAIL C

DRAWN Marcus Wilmsmeyer	6/4/2018	Greene Galvanized Stairs East Lynn, IL 217.375.4244 www.greenebinstairs.com	
CHECKED		TITLE	
QA		AWT3600 Assembly Instructions	
MFG		SIZE A	DWG NO IN-AWT3600
APPROVED		SCALE 1/20	REV
			SHEET 6 OF 7

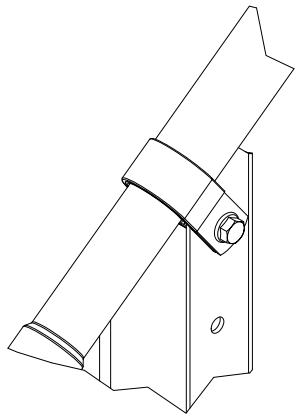
Step 4

- A. Using six (6) TR1504810 handrails, connect them to the AS-40009 1.5" curved pipes.
- B. Once the lower set is in position, as shown in Figure 4, secure the three with three (3) Tech Screws through the HRC1500 handrail clamp.
- C. The upper set will be inserted through the upper HRC1500 handrail clamps. Once they are in position, secure the TR1504810 handrails to the HRC1500 clamps using three (3) Tech Screws.
- D. After ensuring that no further adjustment will be required, secure the three sets of two AS-40009 pipe bends together using a Tech Screw in each.
- E. Secure each upper AS-40009 to each TR1504810 rail using a Tech Screw.
- F. Repeat Steps A-E for the AS-40010 and TR104810 rails. Secure in place using Tech Screws.

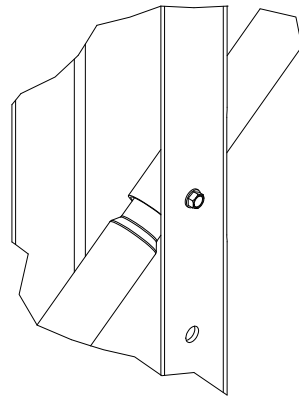
Figure 4



Rail Heights at Platform	
Rail	Top of Rail from Walkway
Intermediate	21" (533 mm)
Handrail	36" (914 mm)
Guardrail	42" (1,067 mm)



DETAIL E



DETAIL F

PARTS USED IN STEP 4

PART NUMBER	DESCRIPTION	QTY
Tech Screw	Self-tapping screw	14
TR1504810	1.5" Handrail, 48" length	6
TR1004810	1" Handrail, 48" length	4

DRAWN Marcus Wilmsmeyer 6/4/2018	Greene Galvanized Stairs East Lynn, IL 217.375.4244 www.greenebinstairs.com	
CHECKED	TITLE	
QA	AWT3600 Assembly Instructions	
MFG	SIZE A	DWG NO IN-AWT3600
APPROVED	SCALE 1/20	REV
	SHEET 7	OF 7