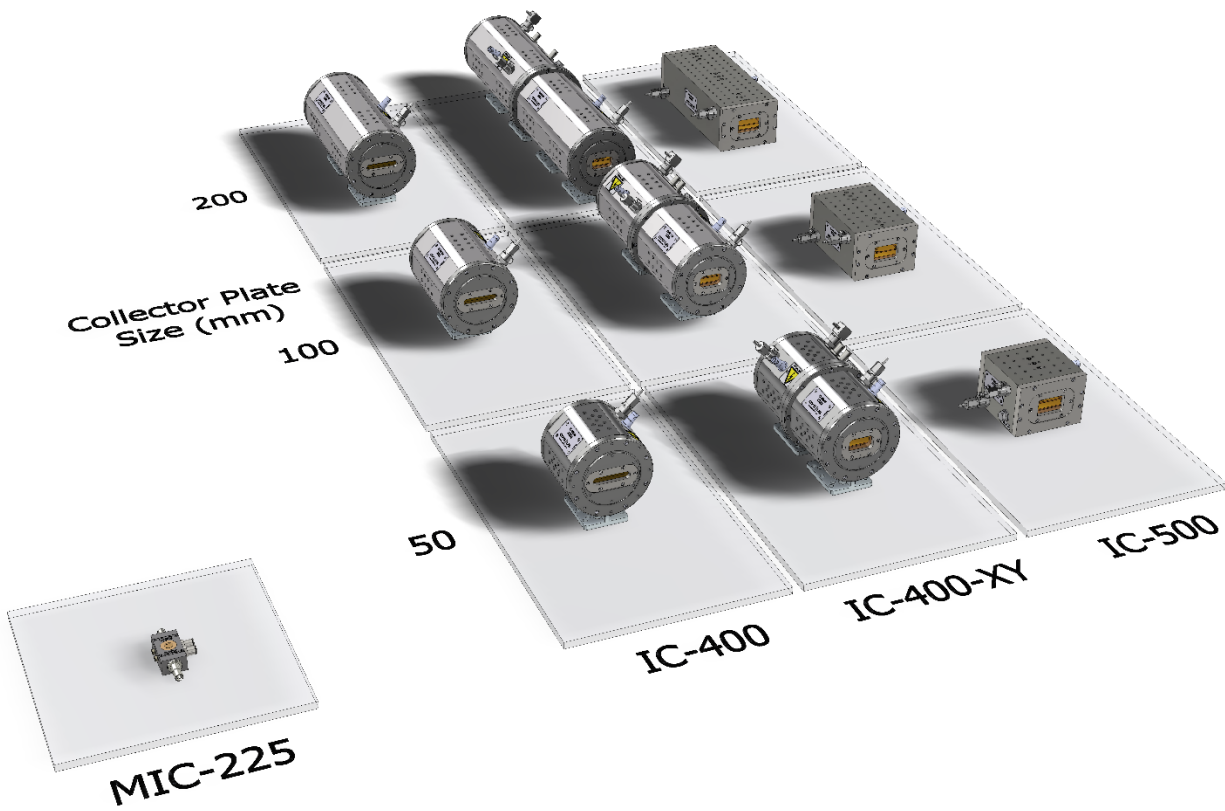




# Ion Chambers

IC-400, IC-500, & MIC-225 series


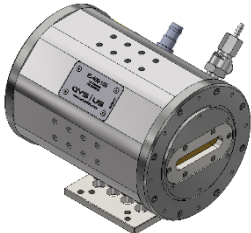
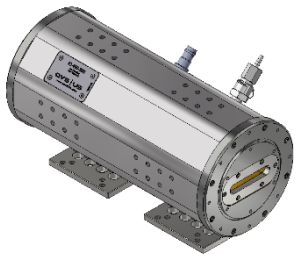
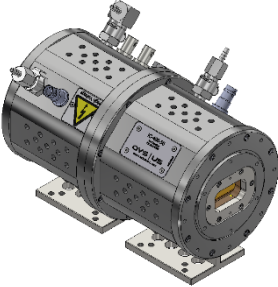

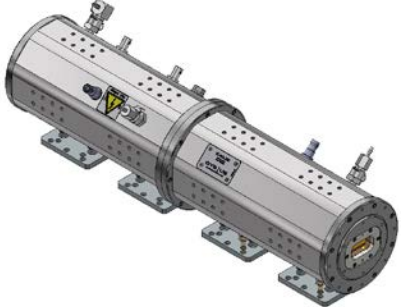
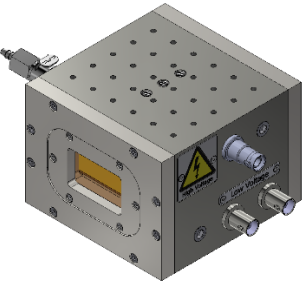
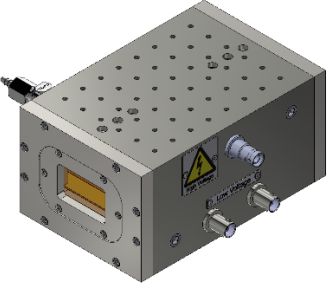
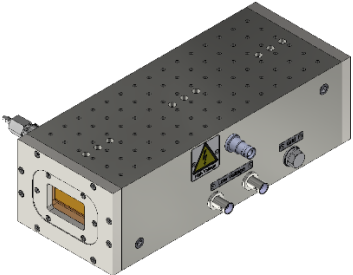


## OVERVIEW

The ion chambers are designed for precise, low noise x-ray measurement.

The electrodes are constructed of nickel-plated copper on fiberglass supports, all housed within a nickel-plated aluminum frame. Each electrode is connected to an SHV connector. ¼" push to connect style fittings comprise the gas connections.

The system can be configured for air, vacuum, or ultra-high vacuum operation through one of three interfaces. The air system stands alone mounted to the system table. The vacuum configuration interfaces through a NW40 style bulkhead fitting. The IC-400 & IC-500 series precision ion chambers incorporate a split collector plate. The electrode is split in a saw tooth configuration with a height of approximately 10mm, 15mm, and 25mm such that, when the differential current is computed, allows use as a beam position monitor.

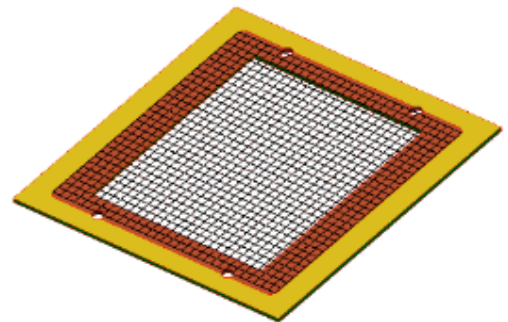
IC-400 Series		
		
IC-400-50	IC-400-100	IC-400-200
IC-500 XY Series		
		
IC-400-50-XY	IC-400-100-XY	IC-400-200-XY
IC-500 Series		
		
IC-500-50	IC-500-100	IC-500-200

## IC-400 & IC-500 SPECIFICATIONS

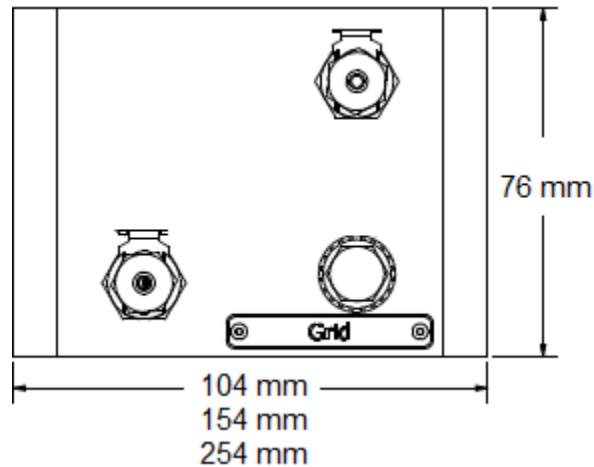
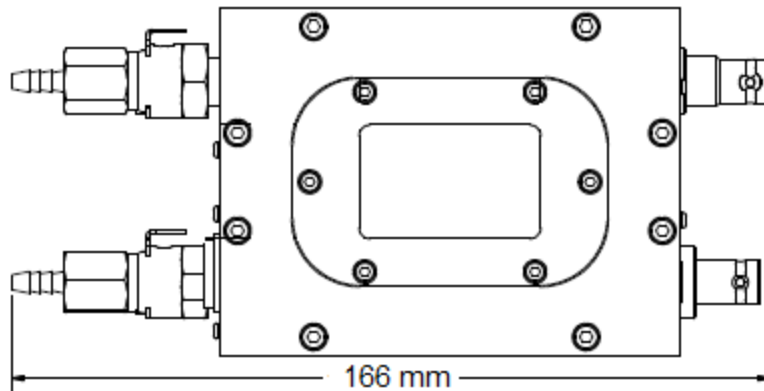
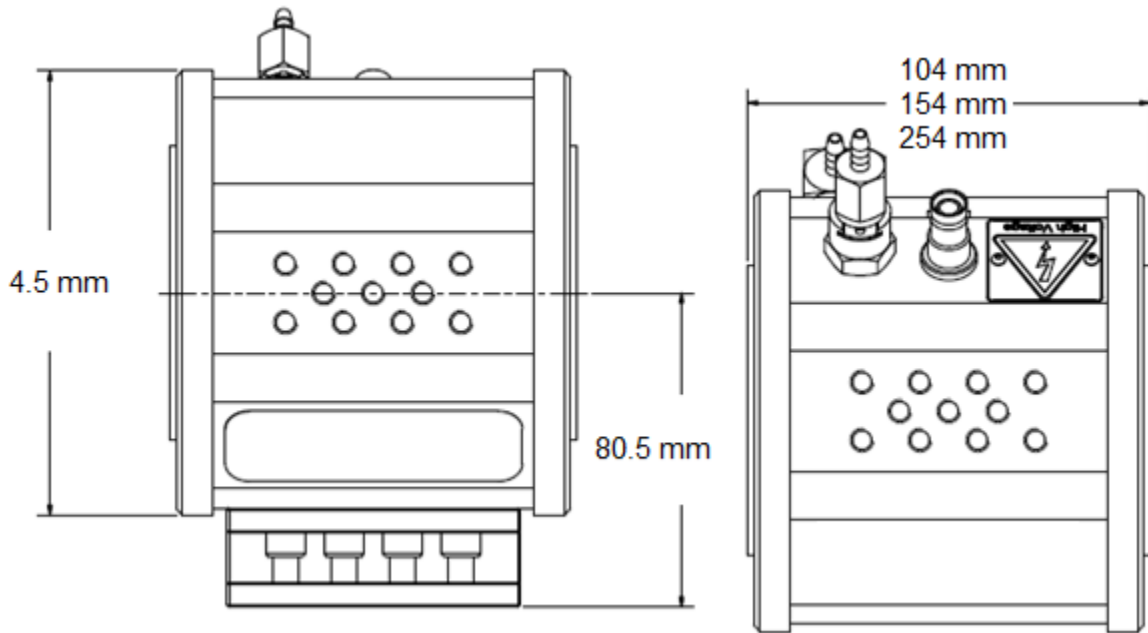
<b>Windows</b>	25µm Kapton foil factory installed + Kapton film kit included: 25, 50, 125µm
<b>Body Material</b>	Aluminum alloy
<b>Electrode Gaps</b>	10, 15, 20, 25mm (User adjustable)
<b>Electrodes</b>	Gold plated with guard rings
<b>Working pressure</b>	0.7 - 1.3 Bar Absolute
<b>Operating potential</b>	Up to 1.7 KV
<b>Maximum pressure drop</b>	< .0375 bar/min
<b>Gas Connectors</b>	<u>Chamber Gas Fitting:</u> 1002, 1/4" hose 'push-to-connect' <u>Gas Adapter Insert:</u> MCD2202 1/8" hose barb in-line coupling
<b>Electrical Connectors</b>	<u>Low Voltage Electrode:</u> Standard 50ohm Female BNC <u>High Voltage Electrode:</u> Standard SHV <u>Gridded Option:</u> Standard SHV
<b>Adapter Kits</b> <b>(ONLY AVAILABLE FOR 400 SERIES)</b>	NW25 IC-400 Adapter Kit, NW40 IC-400 Adapter Kit NW50 IC-400 Adapter Kit 4.5" IC-400 Conflate Adapter Kit

### GRIDDED ION CHAMBER OPTION

Using the new gridded ionization chamber, the ionization current reacts only to the presence of electrons within the electric field while the ion charges are ignored. Eliminating the effects of the slow-moving ions reduces the rise time by roughly at least 10 orders of magnitude. AVS|US has developed this design as an add-in to its entire ion chamber line.

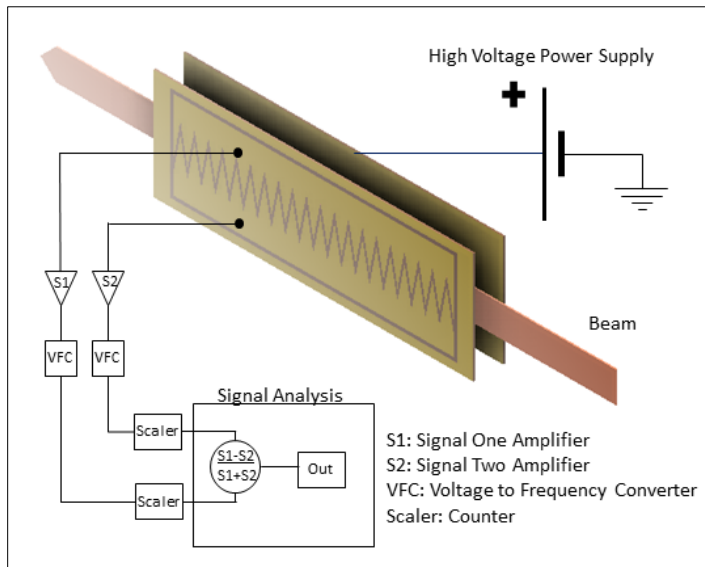


# IC-400 & IC-500 SIMPLE DIMENSIONS

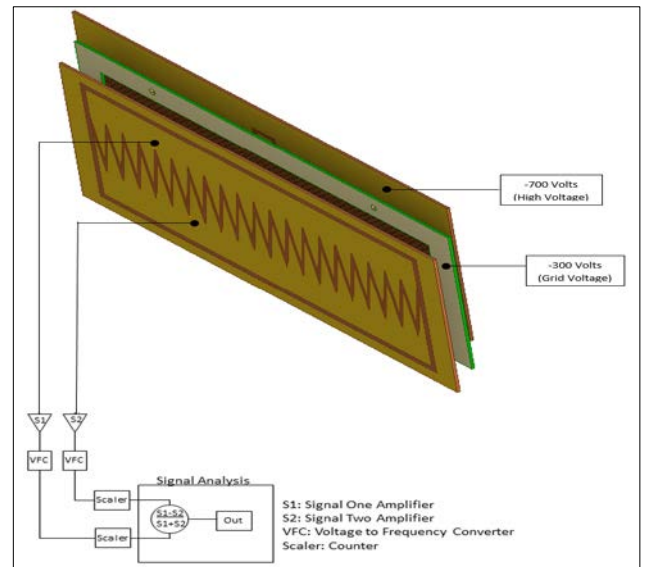


## ELECTRICAL HOOK UP

### Non-Gridded



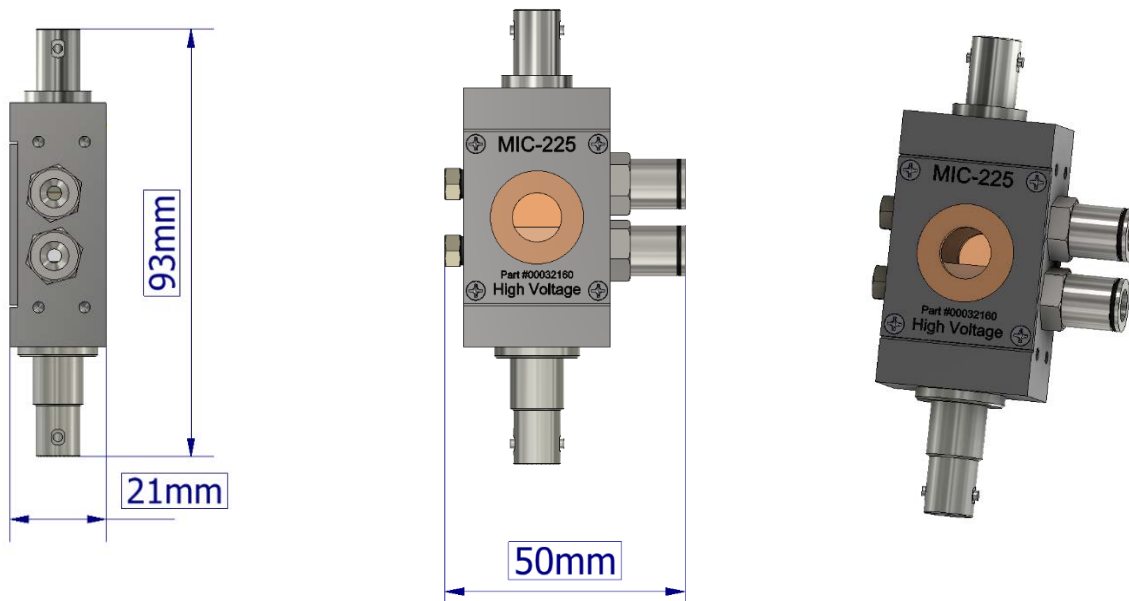
### Gridded



## MICRO ION CHAMBER

A small ionization chamber detector was developed for monitoring the intensity of hard X-ray beam for Synchrotron facilities around the world. The small dimensions of the ionization chamber (20 mm along the beam direction and 30 mm perpendicular to it) make it possible to place it very close to the sample.

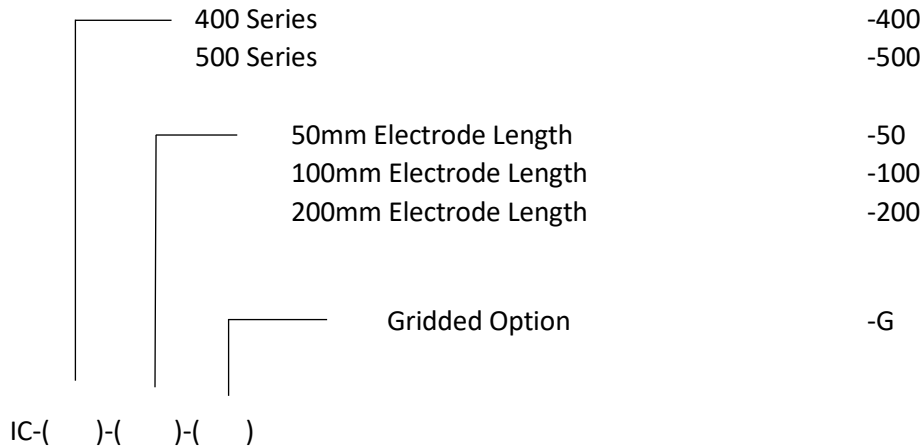
The housing of the detector is made of stainless steel, nickel-plated copper electrodes; SHV and BNC electrical connectors; and gas connectors.



## ORDERING INFORMATION

Ion Chambers can be ordered with different foil configurations, please use the codes provided below when ordering.

Please call or e-mail to ask about customization if your application requires it.



For example, an ion chamber 400 series with a 50mm Electrode length, with the gridded option would be denoted by: IC-400-50-G

**\*The Micro Ion Chamber is only denoted by the part number MIC-225**

# CONTACT US



---

## QVS

PoL. Ind. Sigma, Xixilion kalea 2, Bajo,  
Pabellón 10  
20870 Elgoibar, Gipuzkoa, SPAIN  
T +34 943 821 841  
F +34 943 821 842  
[avs@a-v-s.es](mailto:avs@a-v-s.es)

---

## QVS|UK

Rutherford Appleton Laboratory  
Harwell Campus  
OX11 0QX Didcot, Oxfordshire, UK  
T +44 (0) 1235 567095  
[avs@a-v-s.uk](mailto:avs@a-v-s.uk)

---

## QVS|US

126 Ridge Rd  
Lansing, NY 14882, USA  
T +1 607 533 3531  
F +1 607 533 3618  
[avsus@a-v-s.us](mailto:avsus@a-v-s.us)

---

## UFG

Westcott Venture Park  
Aylesbury HP18 0XB  
Buckinghamshire, UK  
T +44 (0) 1235 567095  
[agarbayo@a-v-s.uk](mailto:agarbayo@a-v-s.uk)



Parque Empresarial Tactica  
Calle Velluters 17  
46988 Paterna, Valencia, SPAIN  
T +34 961 344 831  
F +34 961 344 830  
[comercial@vacuum-projects.net](mailto:comercial@vacuum-projects.net)

---

## SCIENTIFICA

PoL. Ind. Sigma, Xixilion kalea 2, Bajo,  
Pabellón 10  
20870 Elgoibar, Gipuzkoa, SPAIN  
T +34 943 127 285  
[scientifica@scientifica.es](mailto:scientifica@scientifica.es)

---

126 Ridge Rd, Lansing NY, 14882

[www.a-v-s.us](http://www.a-v-s.us) / [www.adc9001.com](http://www.adc9001.com)

1-607-533-3531

[avsus@a-v-s.us](mailto:avsus@a-v-s.us)

---