

Radio Interface Cable

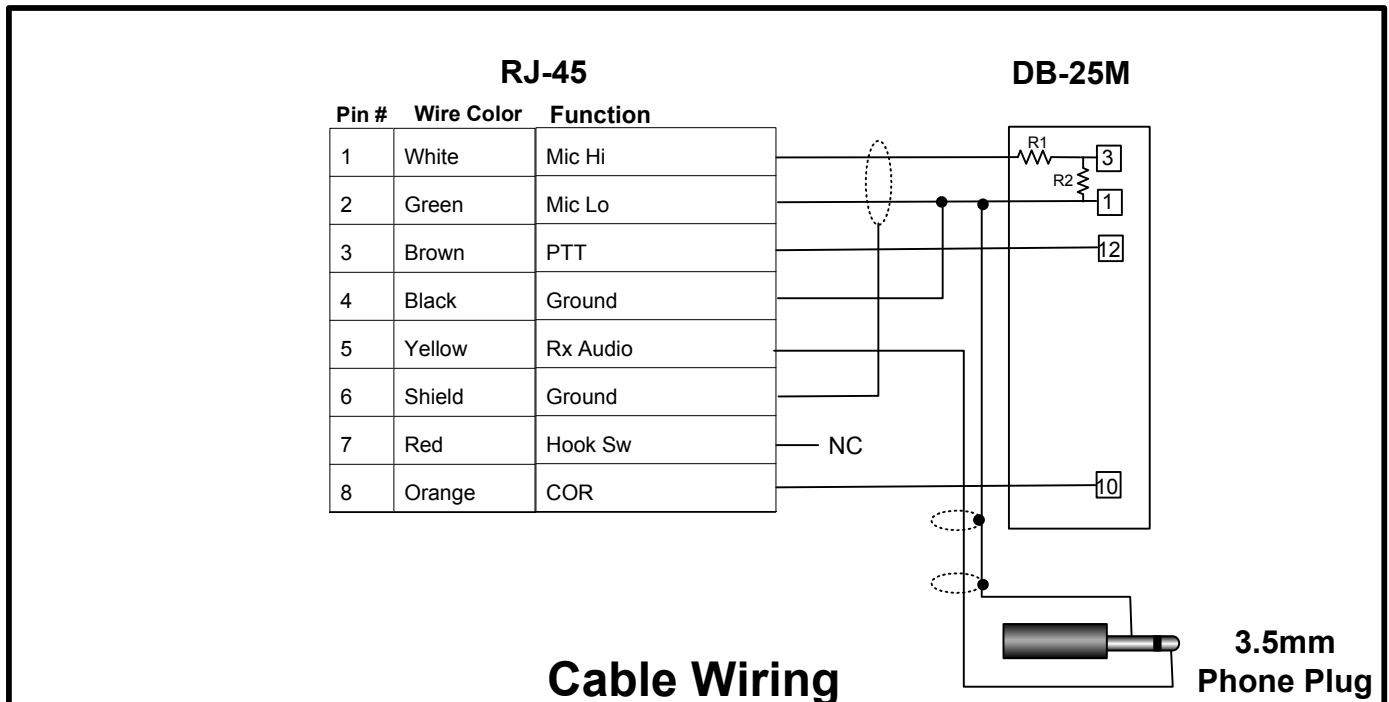
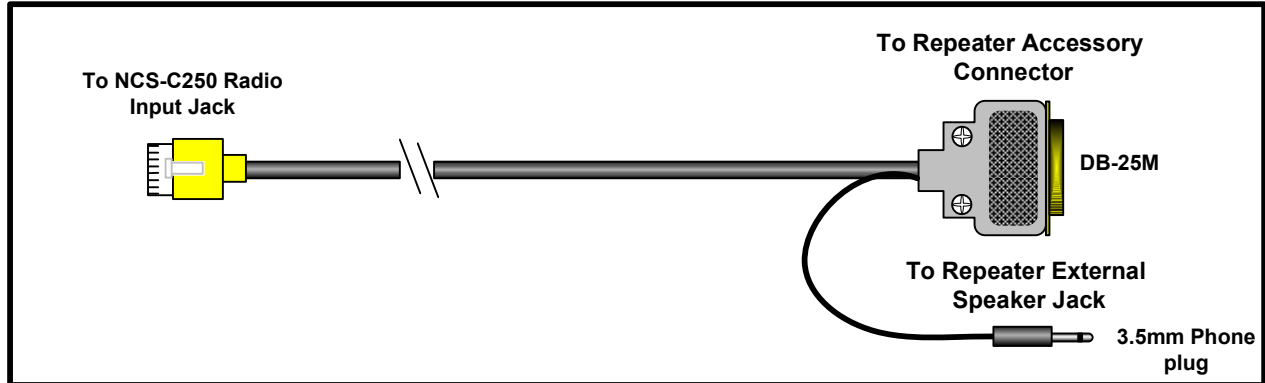
For NCS-C250 Mobile Multi-Switcher

NCS Model Number

CCI-250-VLA-XX

Compatible Radios:

VXR-9000



Notes:

1. Using the radio programming software, program pin 10 (I/O 7) of the DB-25 accessory connector for COR/TOR output. This output can be programmed to output a signal when the receiver squelch is opened or when a proper matching CTCSS or DCS tone is received.

2. Pin 10 (COR) and Pin 12 (EXT PTT) are only active when the repeater is in the "REMOTE" mode. See the repeater operating manual for more information on operating in the "LOCAL" and "REMOTE" modes.