



Roofing That Lasts!

THE SMART CHOICE

Quality 40 Year Warranted . Great Customer Service

Standing Seam Metal Roofing



Standing Seam Panel Profile



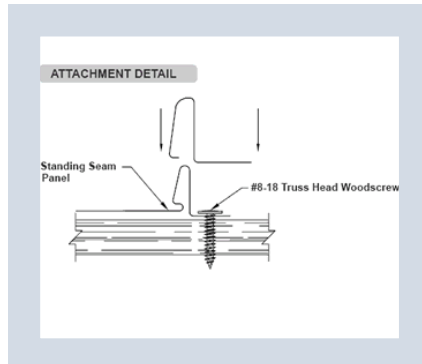
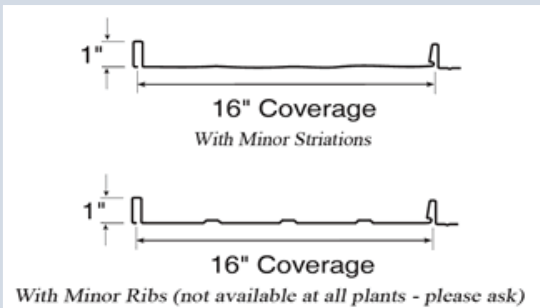
16" Standing Seam

Our most popular standing seam roofing system, Image II Standing Seam is a hidden interlocking fastener system, hiding screws on both the panels and trim. The screws are fastened into a side lap which is then hidden by the rib of the next panel. No clips are required, which saves time and money.

These Standing Seam Roof panels, deliver a clean, linear elegance paired with unmatched quality and unrestricted thermal movement for a dependable, long-lasting and beautiful roof.

Panel Specifications

- 16" panel coverage
- 1" Rib Height
- Concealed Fastener System
- Recommended over solid substrate
- Material: High-quality steel protected by layers of coatings and paint
- Gauges: 26ga and 24ga standard
- Finishes: Painted or Acrylic Coated Galvalume®
- Warranty: 40 year on painted, 25 years on Galvalume®
- Minimum roof slope 3:12



www.MetalRoofingWholesalers.com

Toll Free 1-877-646-6382 - Ph. 865-379-7777 - Fax: 865-982-4222
1170 Topside Road . Louisville, TN 37777