

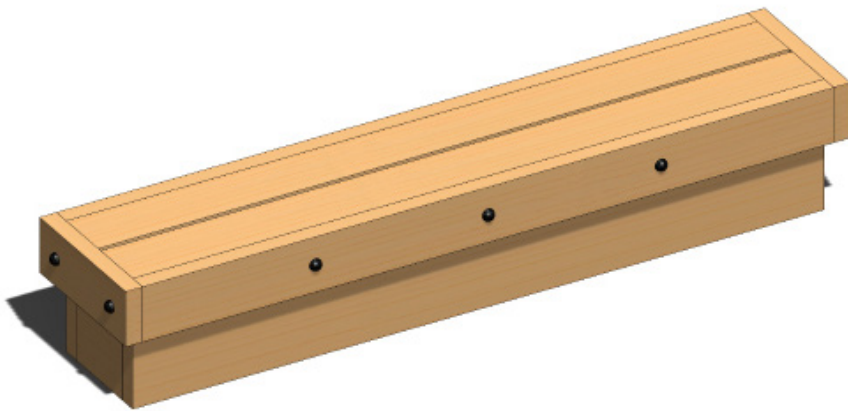
# OZCO PROJECT RUSTIC BENCH #112

## 75½X15½" FINISHED BENCH

### BILL OF MATERIALS



**FREE Project Plans**  
Step by Step How To's  
Material & Cut Lists  
[OZCObp.com](http://OZCObp.com)

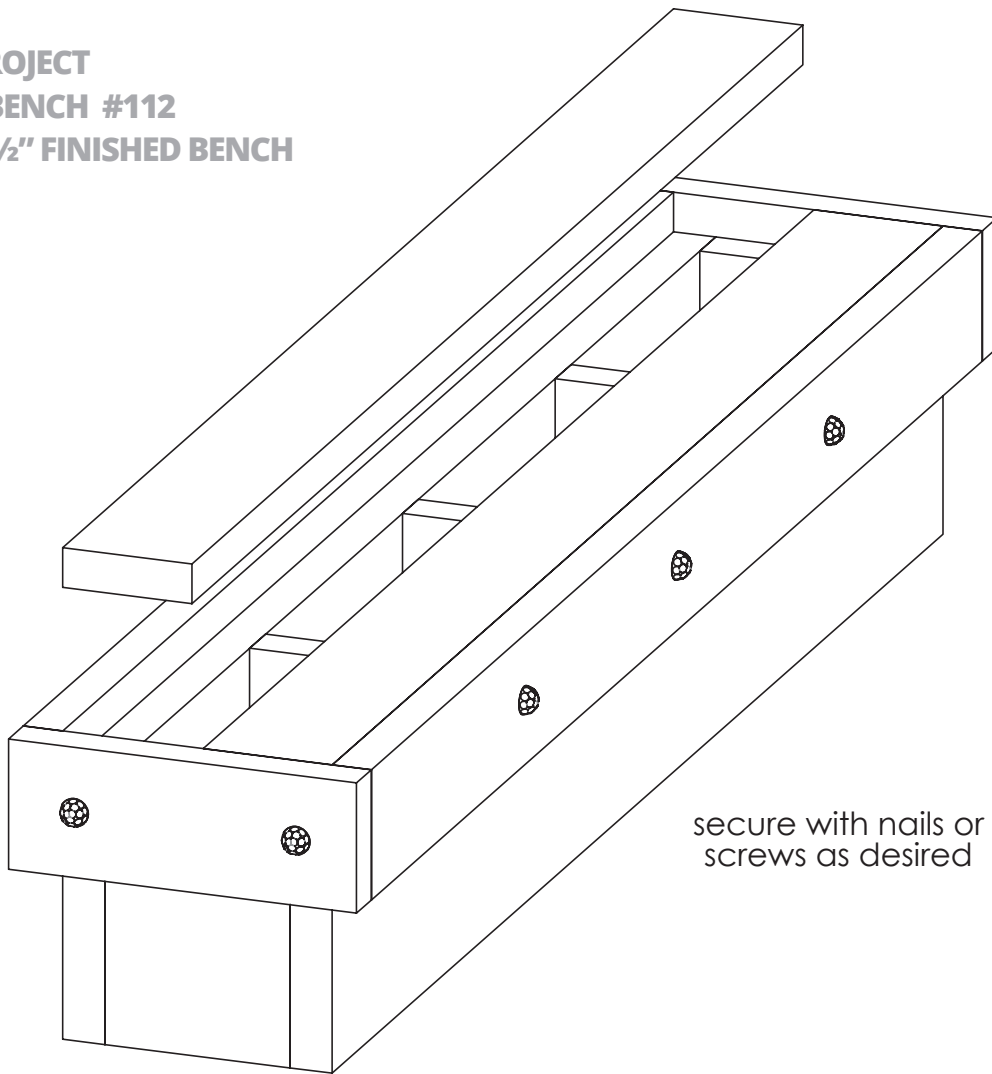


photograph is for inspiration only and is not an exact representation of this project's bill of materials

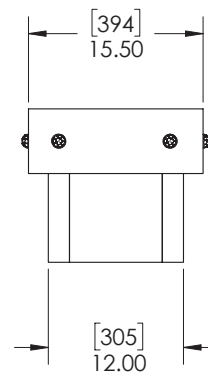
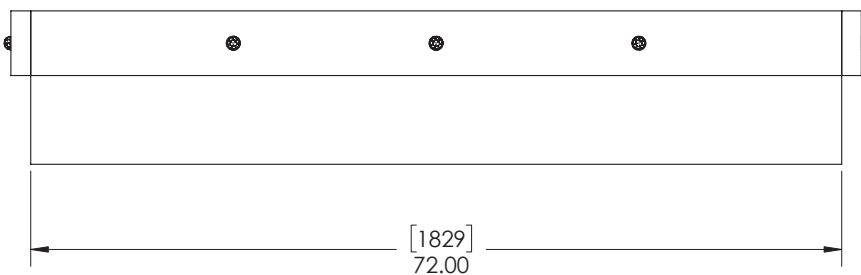
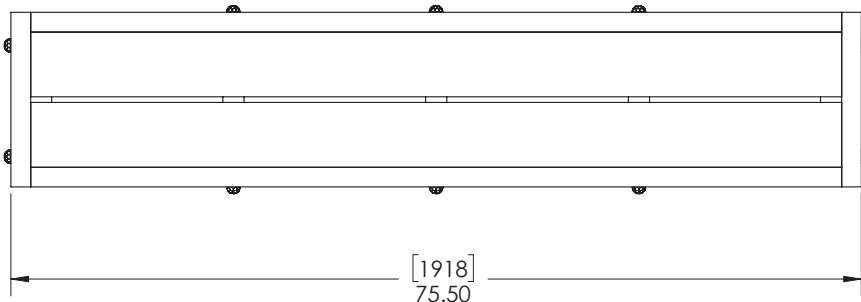
✓	QTY.	ITEM #	DESCRIPTION
	1	56622	1-1/4" Hammered Dome Cap Nut
	1	56628	1/4" X 5-3/4" OWT Timber Screw

✓	QTY.	ITEM #	DESCRIPTION
	2	LUMBER	2x6x16
	1	LUMBER	2x12x12
	1	LUMBER	2x12x6
	1	LUMBER	2x6x6

**OZCO PROJECT**  
**RUSTIC BENCH #112**  
**75½X15½" FINISHED BENCH**



secure with nails or screws as desired



**DESIGN**

**PURCHASE**

**CONSTRUCT**

**ENJOY**