

LP-24 Datasheet

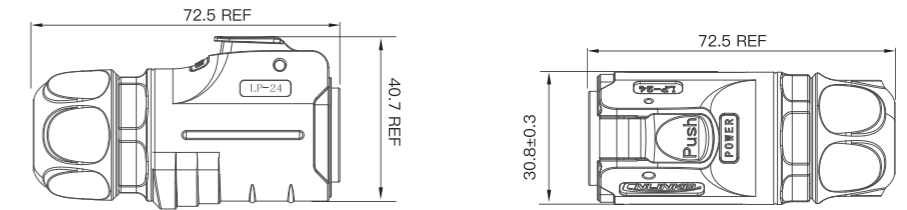
# LP-24

LP24 Power/Signal	Product Series		LP-24								LP-24										
	Pin Number		2PIN		3PIN		3PIN		4PIN		10PIN		12PIN		19PIN		24PIN		RJ45		
	Contact Layout																				
	Current Rating(A)		25	35	25	35	45	25	10	10	5	5	5	5	1.5						
	Voltage Rating(V)		500	300	500	300	230	500	400	400	250	250	125								
	Cable O.D(mm)		φ5.0~φ7.0	φ7.0~φ10.5	φ10.5~φ14.0		φ5.0~φ7.0		φ7.0~φ10.5	φ10.5~φ14.0											
	Wire Gauge		2.5-4.0mm <sup>2</sup> /14-12AWG	6.0-8.0mm <sup>2</sup> /10-8AWG	2.5-4.0mm <sup>2</sup> /14-12AWG	6.0-8.0mm <sup>2</sup> /10-8AWG	8(power cord)-10(single cord) mm <sup>2</sup> 8-6AWG	2.5-4.0mm <sup>2</sup> /14-12AWG	1.0-1.5mm <sup>2</sup> / 18-16AWG	1.0-1.5mm <sup>2</sup> / 18-16AWG	0.34-0.5mm <sup>2</sup> / 22-20AWG	0.34-0.5mm <sup>2</sup> / 22-20AWG	—								
	Protection Level		Connection Status IP68								Connection Status IP68										
	Terminal Type		Soldering/Screwing	Soldering	Soldering/Screwing	Soldering	Soldering	Soldering	Soldering	Soldering	Soldering	Soldering	Soldering	Soldering	Soldering	Soldering	Soldering	Soldering	CAT.3-CAT.6		
Illustration	Material	Part No										Part No									
	Plastic / Metal	Male	LP-24-C02PE-01-001	LP-24-C02PE-01-035	LP-24-C03PE-01-004	LP-24-C03PE-01-035	LP-24-C03PE-01-050	LP-24-C04PE-01-001	LP-24-C10PE-01-001A	LP-24-C12PE-01-001A	LP-24-C19PE-01-001A	LP-24-C24PE-01-001A	LP-24-C/RJ45/015/PE-41-001								
		Female	LP-24-J02PE-01-001	LP-24-J02PE-01-035A	LP-24-J03PE-01-002	LP-24-J03PE-01-035	LP-24-J03PE-01-050	LP-24-J04PE-01-001	LP-24-J10PE-01-001A	LP-24-J12PE-01-001A	LP-24-J19PE-01-001A	LP-24-J24PE-01-001A	—								
	Plastic / Metal	Male	LP-24-C02PP-01-001	LP-24-C02PP-01-035	LP-24-C03PP-01-0xx	LP-24-C03PP-01-035A	LP-24-C03PP-01-050	LP-24-C04PP-01-001	LP-24-C10PP-01-001	LP-24-C12PP-01-001	LP-24-C19PP-01-001	LP-24-C24PP-01-001	—								
		Female	LP-24-J02PP-01-001	LP-24-J02PP-01-035	LP-24-J03PP-01-0xx	LP-24-J03PP-01-035A	LP-24-J03PP-01-050	LP-24-J04PP-01-001	LP-24-J10PP-01-001	LP-24-J12PP-01-001	LP-24-J19PP-01-001	LP-24-J24PP-01-001	—								
	Plastic / Metal	Male	LP-24-C02SX-03-101	LP-24-C02SX-03-135	LP-24-C03SX-03-1xx	LP-24-C03SX-03-135A	LP-24-C03SX-03-150	LP-24-C04SX-03-101	LP-24-C10SX-03-101	LP-24-C12SX-03-101	LP-24-C19SX-03-101	LP-24-C24SX-03-101	—								
		Female	LP-24-J02SX-03-101	LP-24-J02SX-03-135	LP-24-J03SX-03-1xx	LP-24-J03SX-03-135A	LP-24-J03SX-03-150	LP-24-J04SX-03-101	LP-24-J10SX-03-101	LP-24-J12SX-03-101	LP-24-J19SX-03-101	LP-24-J24SX-03-101	LP-24-J/RJ45/213/SX-43-102A								
	Plastic / Metal	Male	LP-24-C02SX-03-401	LP-24-C02SX-03-435	LP-24-C03SX-03-405	LP-24-C03SX-03-435	LP-24-C03SX-03-450	LP-24-C04SX-03-401	LP-24-C10SX-03-401A	LP-24-C12SX-03-401A	LP-24-C19SX-03-401A	LP-24-C24SX-03-401A	—								
		Female	LP-24-J02SX-03-401	LP-24-J02SX-03-435	LP-24-J03SX-03-403	LP-24-J03SX-03-435	LP-24-J03SX-03-450	LP-24-J04SX-03-401	LP-24-J10SX-03-401A	LP-24-J12SX-03-401A	LP-24-J19SX-03-401A	LP-24-J24SX-03-401A	LP-24-J/RJ45/213/SX-43-408								

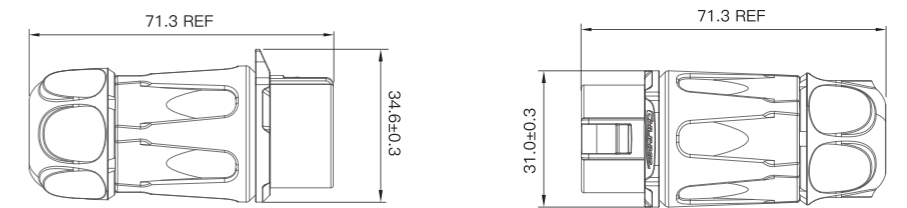
**LP-24 Dimension Drawing (unit: mm)**

LP24 Power/Signal	Product Series	LP-24					
	Pin Number	USB2.0	USB3.0	HDMI2.0	HDMI2.1	Optical fiber	
	Contact Layout						
	Current Rating(A)	1.5	1.8	0.5	0.5	—	
	Voltage Rating(V)	5	5	5	5	—	
	Cable O.D(mm)	φ5.0~φ7.0		φ7.0~φ10.5	φ10.5~φ14.0		
	Wire Gauge	—	—	—	—	—	
	Protection Level	Connection Status IP68					
	Terminal Type	480 Mbps	5.0 Gbps	18 Gbps	48 Gbps	plug-in loss≤0.35dB return loss≥50dB	
Illustration	Material	Part No					
	Plastic / Metal	Male	LP-24-C/USB3/016/PE-43-001	LP24-USB3-MP-MP-1M-001	LP24-HDMI-MP-MP-1M-001	LP24-HDMI-MP-MP-1M-002	LP-24-C/LC/016/PE-41-004 LP-24-C/LC/016/PE-41-001
		Female	—	—	—	—	—
		Male	—	—	—	—	—
		Female	—	—	—	—	—
		Male	—	—	—	—	—
		Female	LP-24-J/USB2/213/SX-43-101A	LP-24-J/USB3/213/SX-43-101A	LP-24-J/HDMI2/213/SX-43-101A	LP-24-J/HDMI21/213/SX-43-102	LP-24-J/LC/213/SX-43-101A LP-24-J/LC/213/SX-43-102A
		Male	—	—	—	—	—
		Female	LP-24-J/USB2/213/SX-43-101A	LP-24-J/USB3/213/SX-43-401A	LP-24-J/HDMI2/213/SX-43-401	LP-24-J/HDMI21/213/SX-43-401	LP-24-J/LC/213/SX-43-402

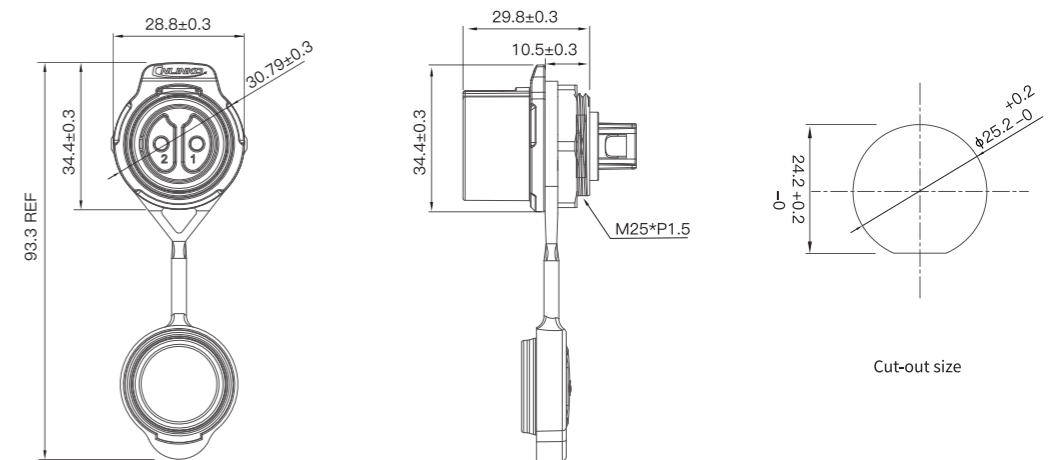
**Plug**



**In-line receptacle**



**Single hole straight receptacle**



**Four-hole flange receptacle**

