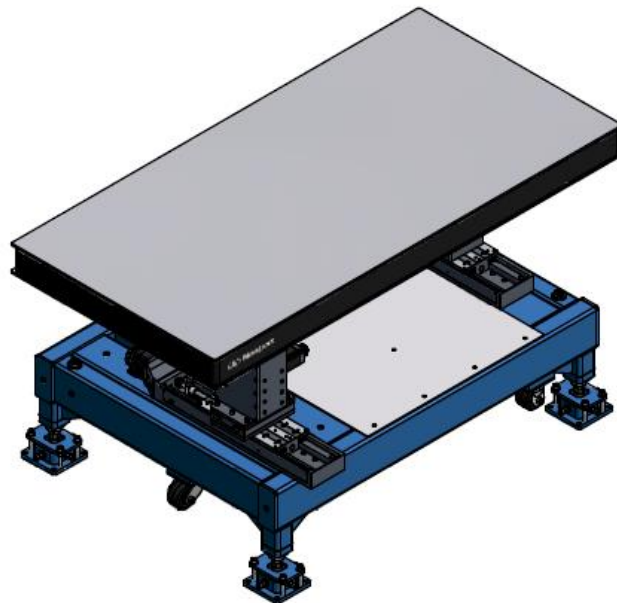




**Customer:**  
DESY  
Notkestraße 85  
22607 Hamburg  
GERMANY



This DESY six degrees of freedom High Precision Motorized Optical Table used Newport Corporation Research Grade breadboards with a grid of M6 tapped holes. The system base was made of a welded steel frame with a powder coated finish. Frames were filled with sand to reduce the table natural frequency and provide passive damping. When in use, the table rests on four machinery feet. When in transport, the feet are retracted and casters allow for easy handling. To learn more about DESY please go to: <http://www.desy.de/>

