

Solid Door Refrigerators & Freezers



CR1-19-HC / CF1-19-HC



CR2-35-HC / CF2-35-HC

Model	Size
CR1-19-HC	19 Cu-Ft
CR2-35-HC	35 Cu-Ft
CF1-19-HC	19 Cu-Ft
CF2-35-HC	35 Cu-Ft

STANDARD FEATURES

- CFC Free Refrigerant and foam
- Solid state thermostat with digital display
- Stainless steel front and sides
- Field reversible 1-door units
- Heating element concealed in door frame to eliminate any condensation
- Self closing doors remain open past 90°
- Non twist solid mullions on 2 & 3 door units
- Environmentally friendly HC R290
- EZ slide out condenser
- Stainless steel door handle
- Whisper quiet
- Solid construction
- Holds sheet pans front to back
- High efficiency polyurethane insulation
- Zero clearance sides and 2" back

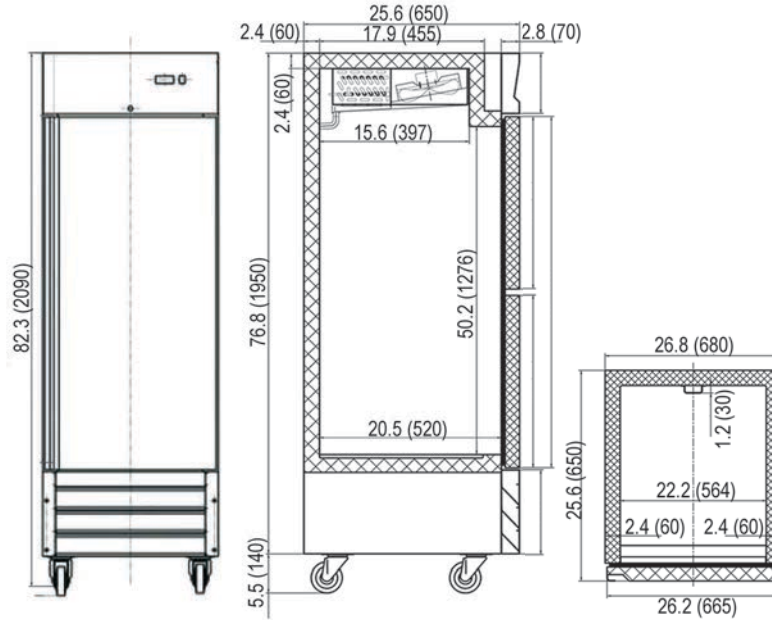
REFRIGERATION / FREEZERS

Items	Description	Items	Description
Front, Top & Sides	430 Stainless steel	Temperature control	Solid State T-stat with Digital Display
Door	430 Stainless steel	Comply to standard	ANSI / NSF-7
External back	430 Stainless steel	Refrigerating system	Capillary tube
Cabinet internal	Powder Coated Aluminum	Refrigerant	R290
Internal floor	304 Stainless steel	Temperature Range	(CR) 34°F — 38°F (CF) -11°F -1°F
Insulation	Polyurethane (CFC free)	Evaporator/Condenser	Aluminum + Copper
Shelves	Heavy duty, PVC coating – 3 or 4 layers	Condensing unit	Bottom Mounted

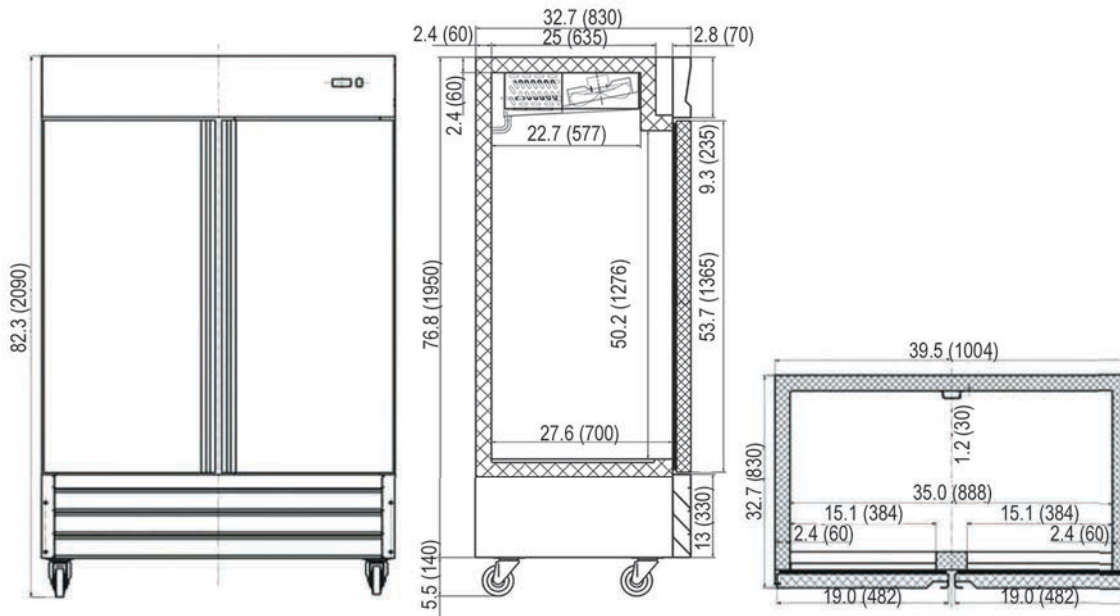


DETAILS AND DIMENSIONS

CR1-19-HC / CF1-19-HC



CR2-35-HC/ CF2-35-HC



Model	Doors	Storage CAP (Cu-ft)	Shelves	Cabinet Dim (in) External			HP	Voltage /Hz /ph	Amp	NEMA Plug	Cord Lgth (ft)	Crated Weight (lbs)
				W	D	H						
CR1-19-HC	1	19	3	26.8	25.6	82.3	1/5	115/60/1	3	5-15P	10	220
CF1-19-HC	1	19	3	26.8	25.6	82.3	1/2	115/60/1	8	5-15P	10	225
CR2-35-HC	2	35	6	39.5	32.7	82.3	1/4	115/60/1	4.5	5-15P	10	313
CF2-35-HC	2	35	6	39.5	32.7	82.3	1	115/60/1	8	5-15P	10	320