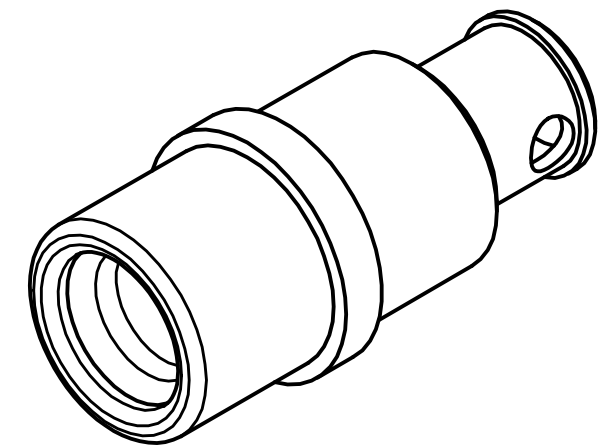
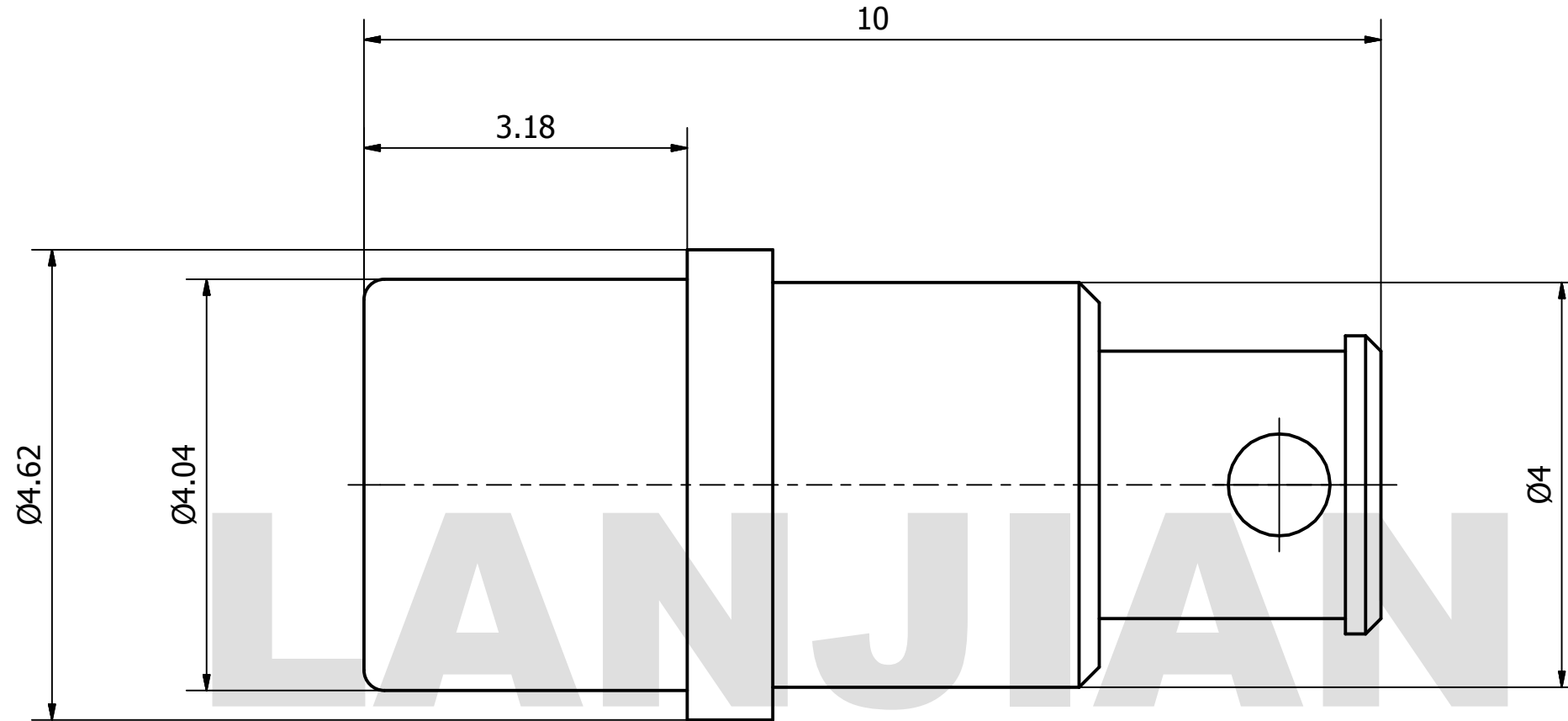


PRODUCT DATA SHEET



MATERIAL:
 BODY: BRASS
 CONTACT: BERYLLIUM COPPER PER ASTM B196.
 ALLOY NO. UNS C17300
 INSULATOR: PEI

PERFORMANCE:
 IMPEDANCE: 50 OHMS
 FREQUENCY: DC-65 GHz
 VSWR: ≤ 1.50 (TESTING WITH CABLE)

THIS DOCUMENT CONTAINS CONFIDENTIAL AND PROPRIETARY INFORMATION THAT CANNOT BE REPRODUCED OR DIVULGED, IN WHOLE OR IN PART, WITHOUT WRITTEN AUTHORIZATION FROM "LANJIAN ELECTRONICS"

| | | | |
|--|--------------|-------------------------|------------------------------------|
| MATERIAL : | | | |
| UNLESS OTHERWISE SPECIFIED: DIMENSIONS IN MM | | | |
| TOLERANCES : | | | |
| X.X | ± 0.20 | ANGULAR : ± 1° | DEBURR AND BREAK SHARP EDGES |
| X.XX | ± 0.10 | FILLETS R/C : ± 0.10 | |
| X.XXX | ± 0.01 | SURFACE FINISH : Ra 1.6 | |
| | NAME | DATE | SIGNATURE |
| DRAWN | YaoJiang | 10/24/2018 | |
| CHK'D | HongZhongYan | 10/24/2018 | |
| APPV'D | HongZhongYan | 10/24/2018 | |
| MFG | | | |
| PROJECTION | | SIZE | SCALE |
| | | A3 | 16 : 1 |

| | |
|--|------|
| LANJIAN ELECTRONICS | |
| 38 Hengtong Road, Xinqu Dingmao Zhenjiang, 212009, Jiangsu, P. R. China | |
| TITLE | |
| SMPM-J3605-1 straight pin cable connector | |
| DWG No. | REV. |
| GCPZ3.650.H.005 | A |
| DO NOT SCALE THE DRAWING | |
| PAGE 1 / 1 | |