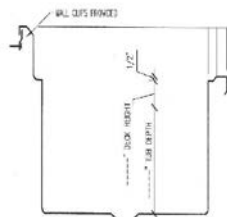
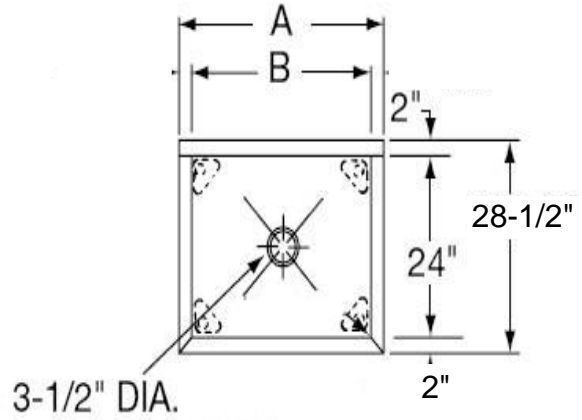


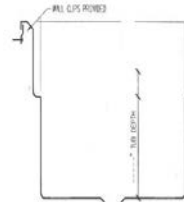
WICKETTS STAINLESS

SPECIFICATION

Commercial Sink
Heavy Duty
One Compt.

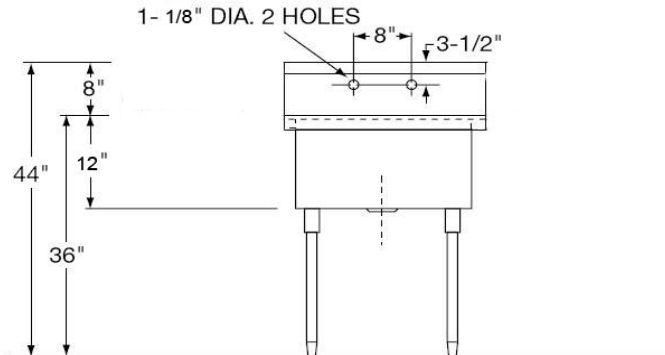


Marine Edge



Rolled Edge

Model Number	A	B
WCS-4118	22	18
WCS-4124	28	24
WCS-4130	34	30
WCS-4148	52	48



Engineering Specification:

14 gauge, type 304 stainless steel scullery sink. 12" deep construction. 8" high backsplash with 45° sloped top channel rims. Exposed surfaces polished to a #4 satin finish. Supported on (4) stainless steel, 1-5/8" O.D. tubular legs, Adjustable bullet feet.

Wicketts Stainless, LLC.
2618 San Miguel Dr. Bldg. # 376
Newport Beach, CA 92660
Tel: 951-858-2548
Fax: 951-638-9059
sales@wickettsstainless.com
www.wickettsstainless.com



Approved for Manufacturing
Company: _____
Signature: _____
Print: _____ Date: / /