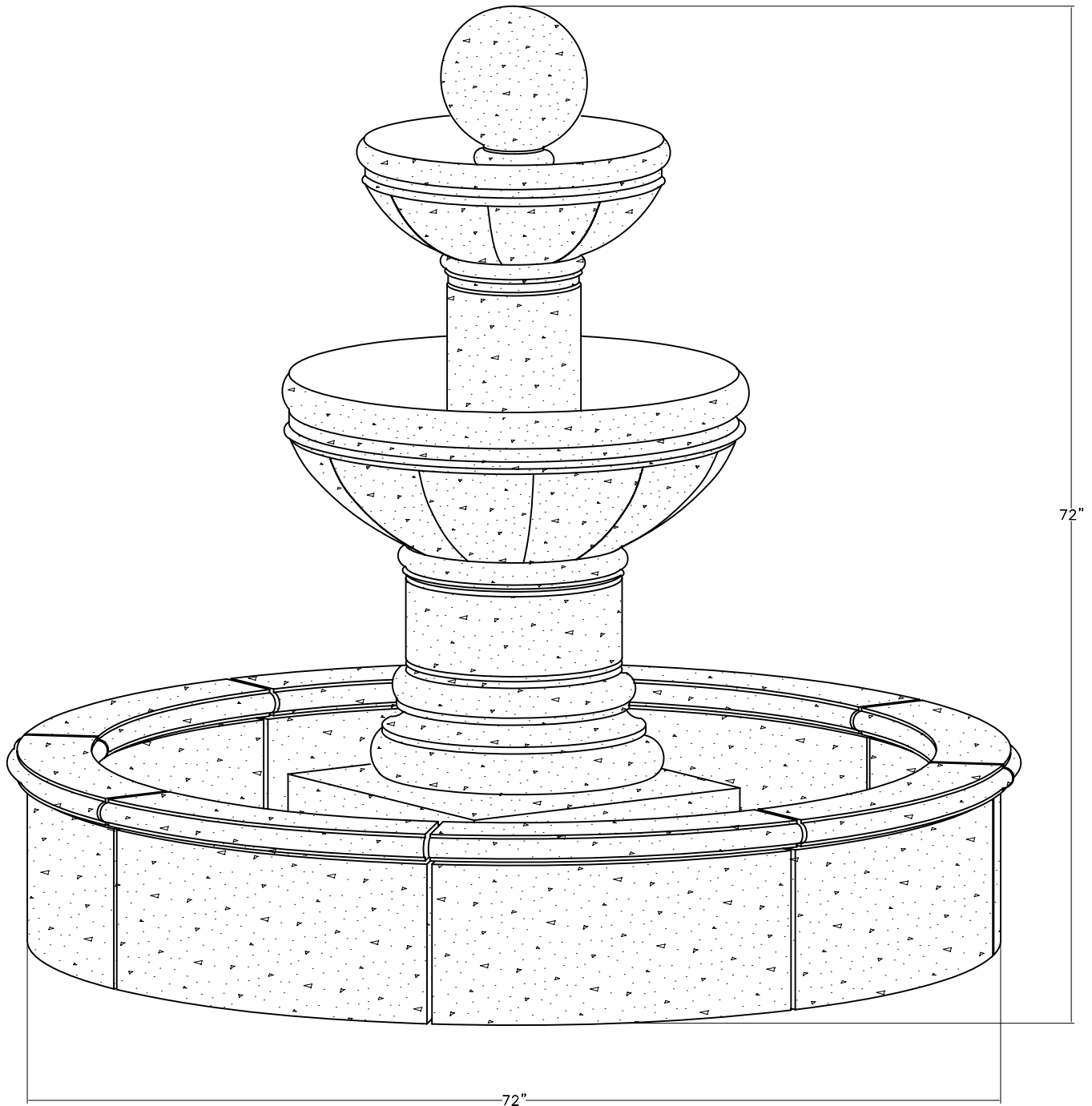


# WATER FEATURES

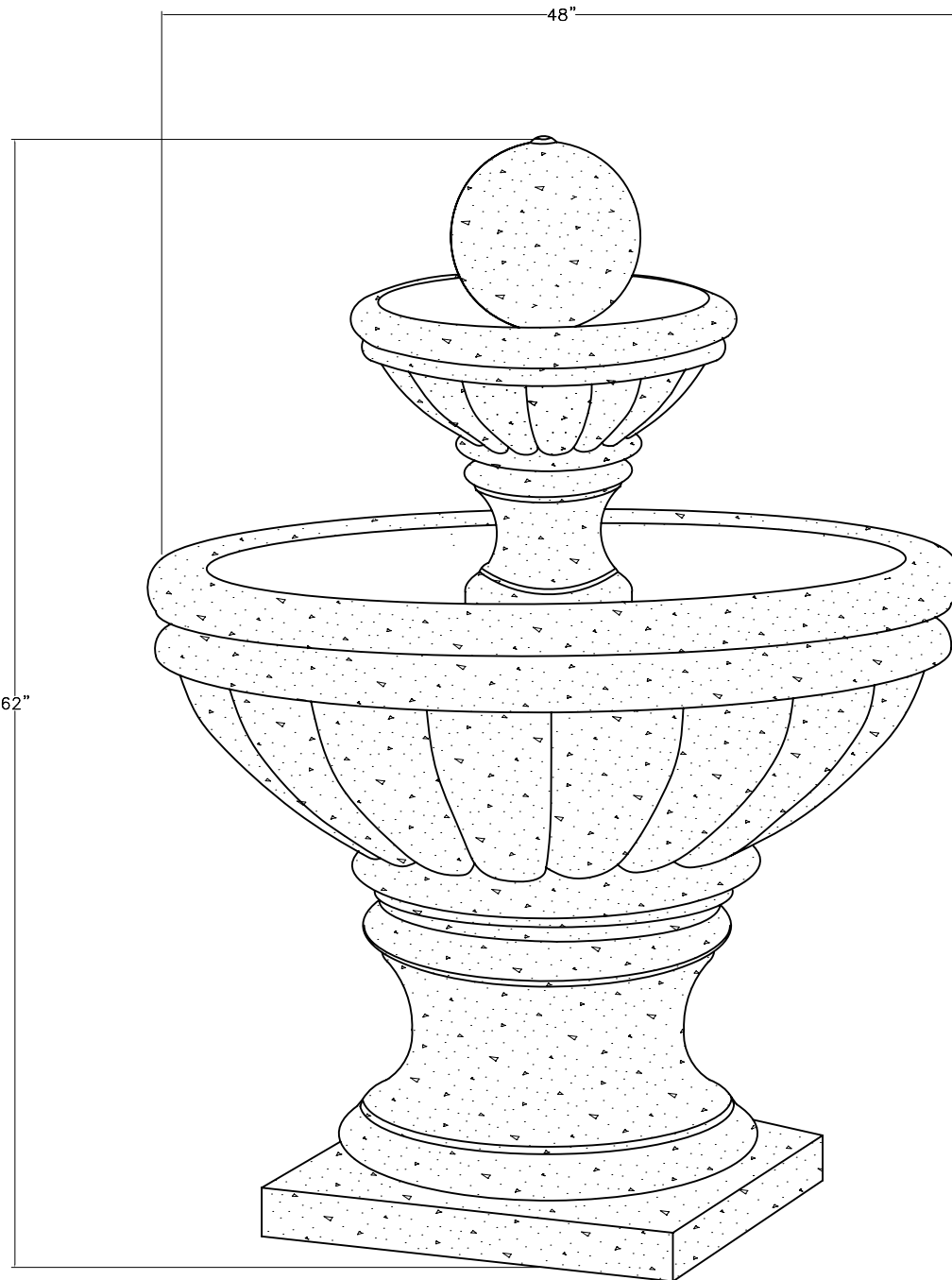
## ATHENIAN THREE TIERED FOUNTAIN



FIELD ASSEMBLY REQUIRED

# WATER FEATURES

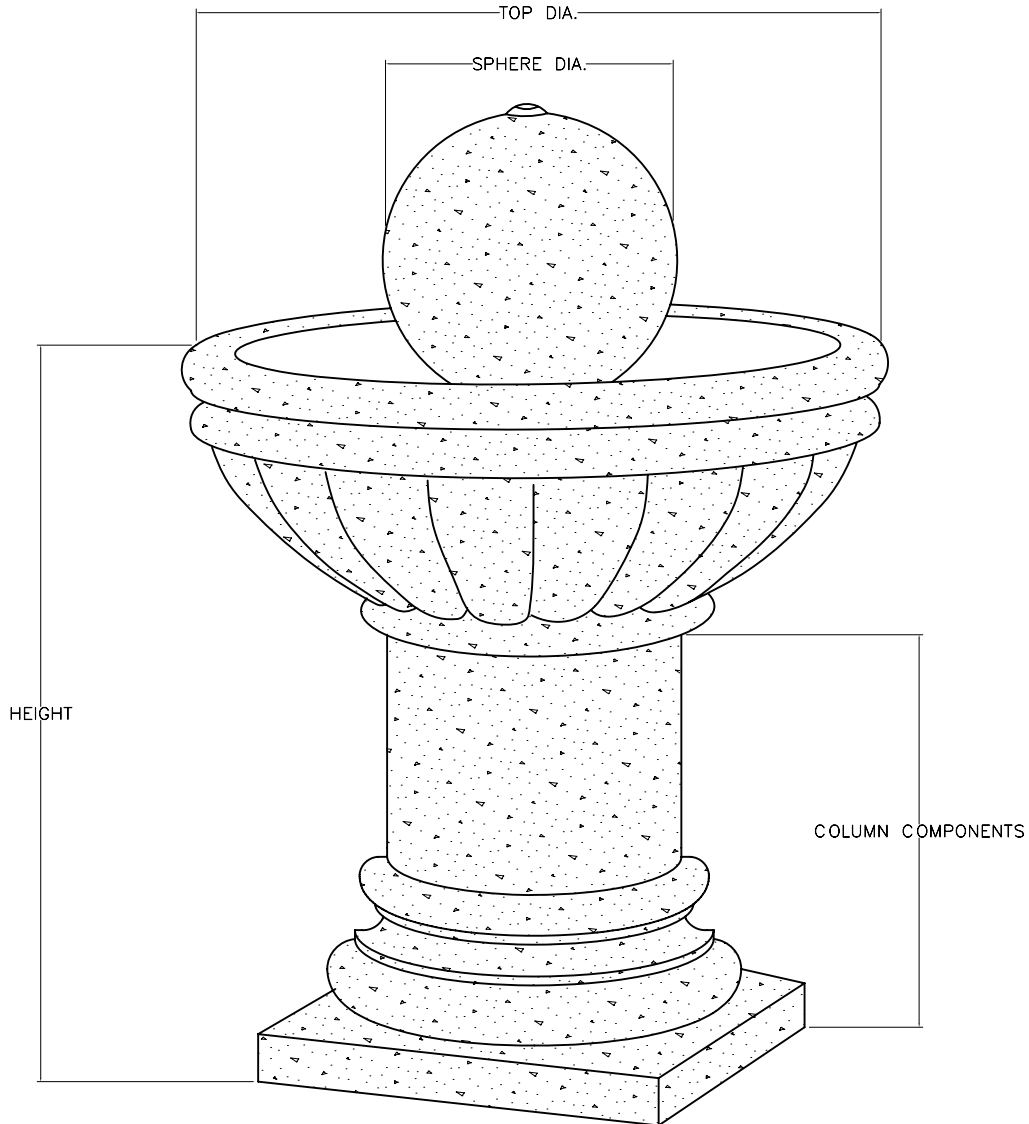
## ATHENIAN TWO TIERED FOUNTAIN



FIELD ASSEMBLY REQUIRED

# WATER FEATURES

## ATHENIAN PEDESTAL FOUNTAIN



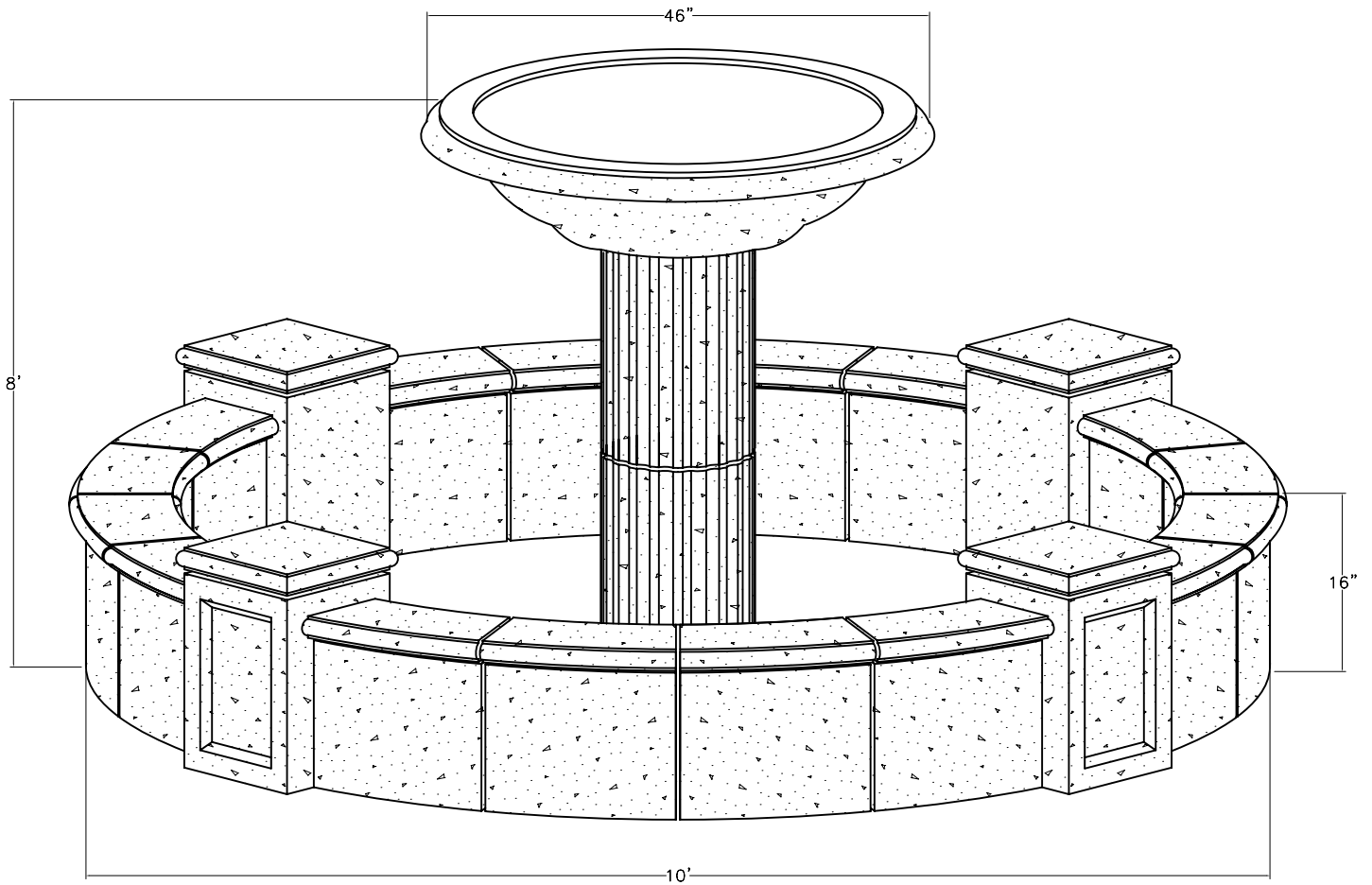
AVAILABLE IN THE FOLLOWING SIZES

<u>TOP DIA.</u>	<u>HEIGHT</u>	<u>SPHERE DIA.</u>	<u>COLUMN COMPONENTS</u>
24"	28"	12"	10" COLUMN
30"	35"	15"	14" COLUMN
36"	40"	18"	16" COLUMN
47"	50"	22"	20" COLUMN

FIELD ASSEMBLY REQUIRED

# WATER FEATURES

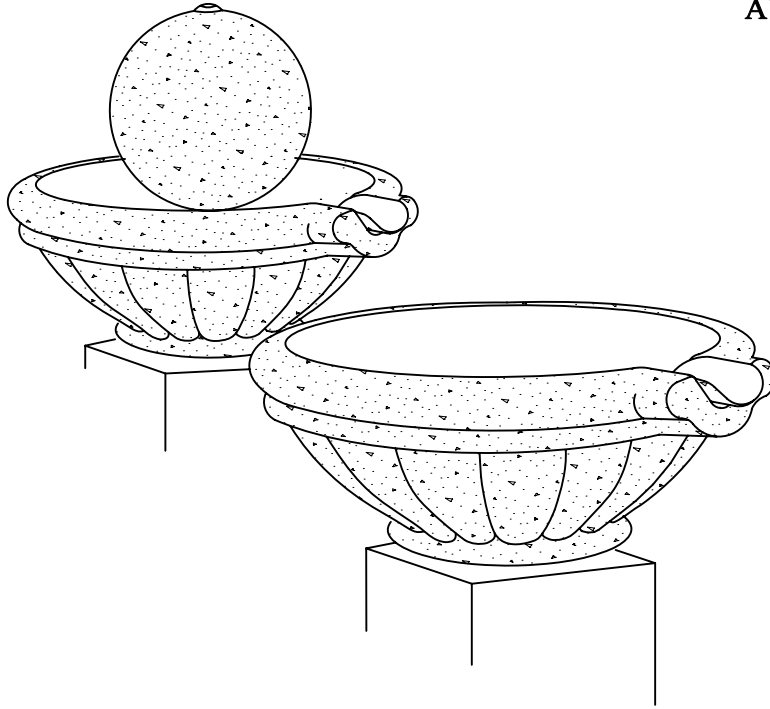
## IONIAN FOUNTAIN



FIELD ASSEMBLY REQUIRED

# WATER FEATURES

## ATHENIAN SCUPPER FOUNTAIN POTS



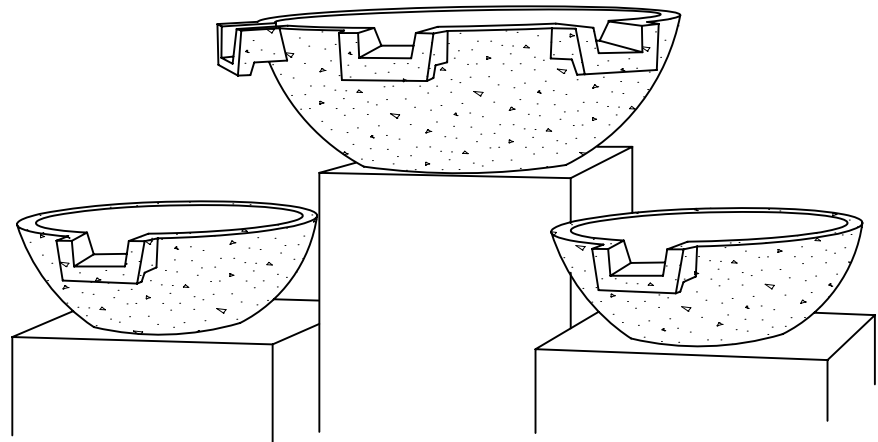
AVAILABLE IN THE FOLLOWING SIZES

<u>TOP DIA.</u>	<u>HEIGHT</u>
24"	10"
30"	13"
36"	15"

## AEGEAN SCUPPER FOUNTAIN POTS

AVAILABLE IN THE FOLLOWING SIZES

<u>TOP DIA.</u>	<u>HEIGHT</u>
21"	7"
27"	9"
33"	11"
39"	13"
33"	11" *
39"	13" **

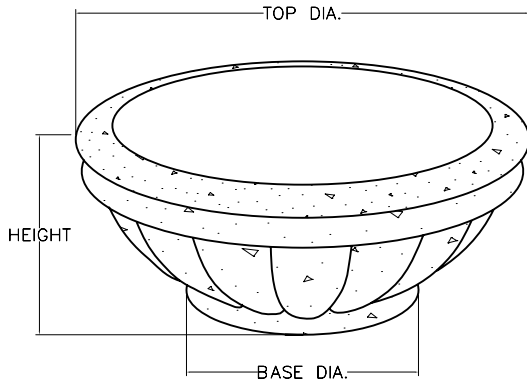


- \* DOUBLE SCUPPER
- \*\* TRIPLE SCUPPER

FIELD ASSEMBLY REQUIRED

# PLANTERS

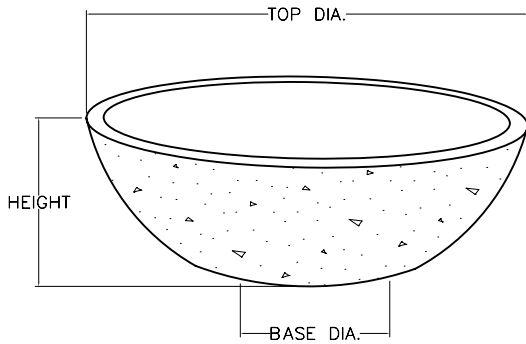
## ATHENIAN PLANTERS



AVAILABLE IN THE FOLLOWING SIZES

<u>TOP DIA.</u>	<u>HEIGHT</u>	<u>BASE DIA.</u>
24"	10"	10"
30"	13"	14"
36"	15"	16"
47"	20"	20"

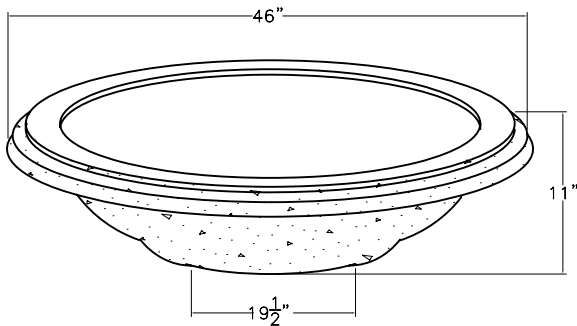
## AEGEAN PLANTERS



AVAILABLE IN THE FOLLOWING SIZES

<u>TOP DIA.</u>	<u>HEIGHT</u>	<u>BASE DIA.</u>
21"	7"	10"
27"	9"	13"
33"	11"	16"
39"	13"	19"
48"	16"	24"
60"	20"	30"
76"	20"	24"

## IONIAN PLANTER 46"



## IONIAN PLANTER 60"

