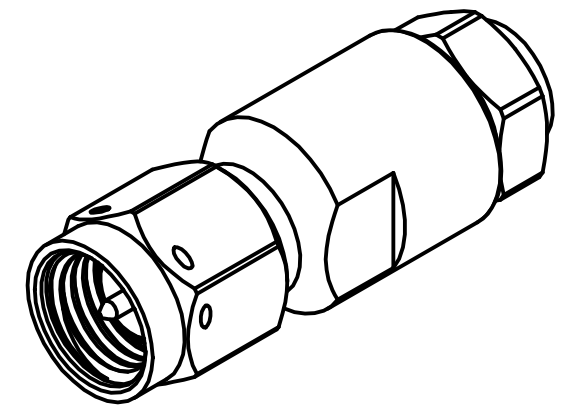
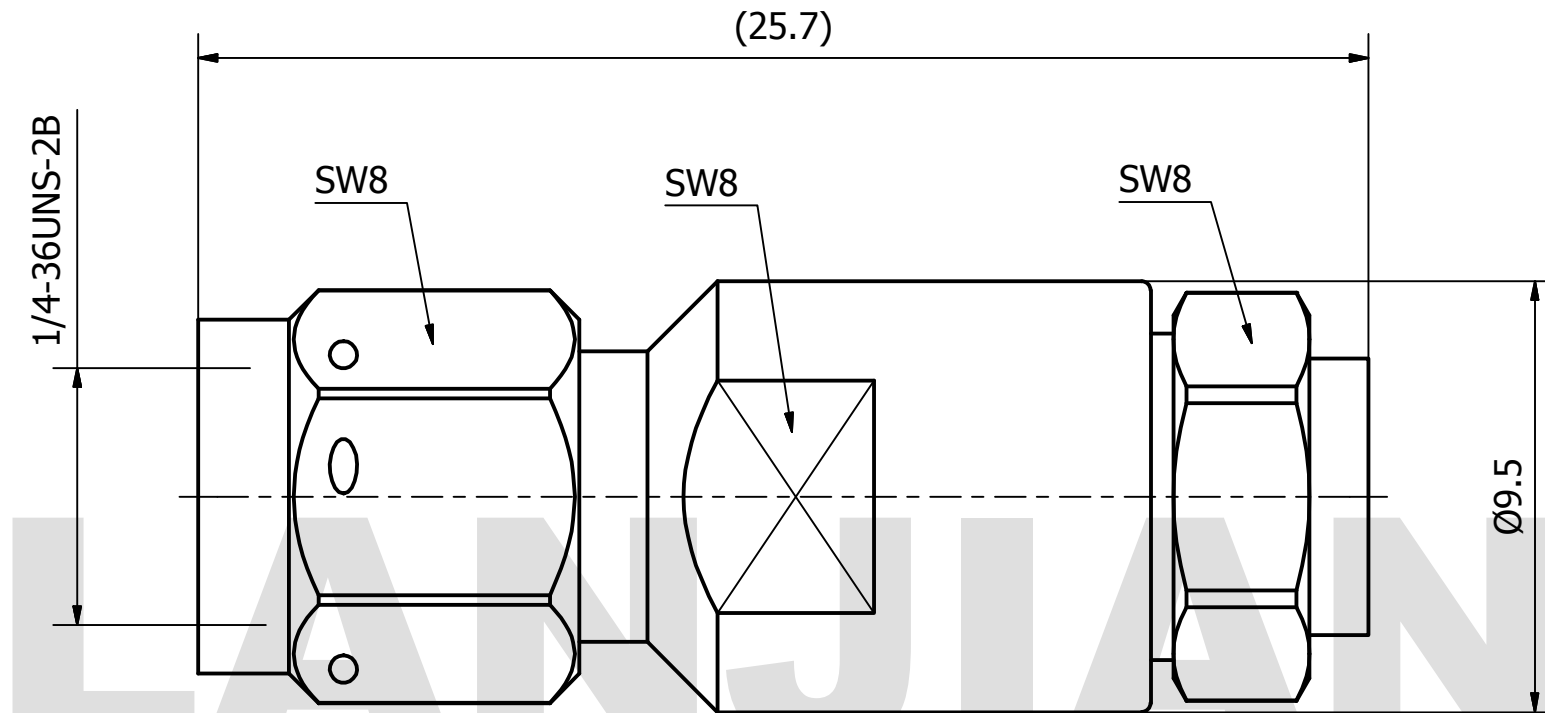


PRODUCT DATA SHEET



MATERIAL:
 BODY: STAINLESS STEEL PER AMS-5640,
 ALLOY UNS S30300
 CONTACT: BRASS PER ASTM B16,
 ALLOY NO.UNS C36000
 INSULATOR: PTFE PER ASTM D1710

PERFORMANCE:
 IMPEDANCE: 50 OHMS
 FREQUENCY: DC TO 26.5 GHz
 VSWR: ≤ 1.30

| | | | | | |
|--------------------------------------------------------------------------------------------------------------------------------------------------------------------------------------|----------------------------------------------|----------------------|------------------------------|---------------------------------------------------------------------------------------------------------|------------|
| THIS DOCUMENT CONTAINS CONFIDENTIAL AND PROPRIETARY INFORMATION THAT CANNOT BE REPRODUCED OR DIVULGED, IN WHOLE OR IN PART, WITHOUT WRITTEN AUTHORIZATION FROM "LANJIAN ELECTRONICS" | MATERIAL : | | | 38 Hengtong Road, Xinqu Dingmao Zhenjiang, 212009, Jiangsu, P. R. China | |
| | UNLESS OTHERWISE SPECIFIED: DIMENSIONS IN MM | | | | |
| | TOLERANCES : | | | | |
| | X.X ± 0.20 | ANGULAR : ± 1° | DEBURR AND BREAK SHARP EDGES | | |
| | X.XX ± 0.10 | FILLETS R/C : ± 0.10 | SURFACE FINISH : Ra 1.6 | | |
| X.XXX ± 0.01 | | | | | |
| DRAWN | NAME | DATE | SIGNATURE | TITLE <h2 style="margin: 0;">SMA-J3449</h2> <h3 style="margin: 0;">straight pin cable connector</h3> | |
| CHK'D | | | | | |
| APPV'D | | | | | |
| MFG | | | | | |
| PROJECTION | SIZE | SCALE | | DWG No. | REV. |
| | A3 | 6 : 1 | | GCPZ3.650.A.003 | |
| | | | | DO NOT SCALE THE DRAWING | PAGE 1 / 1 |