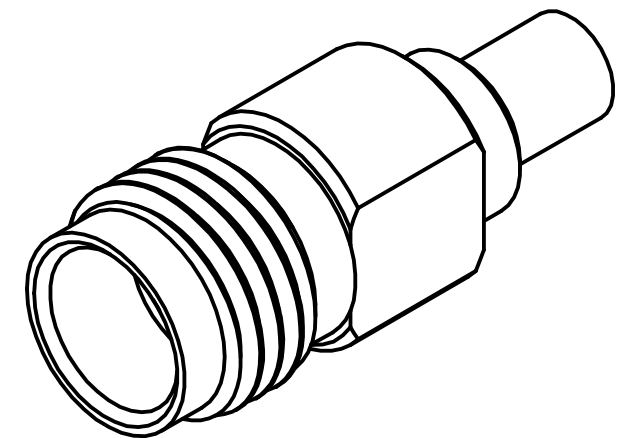
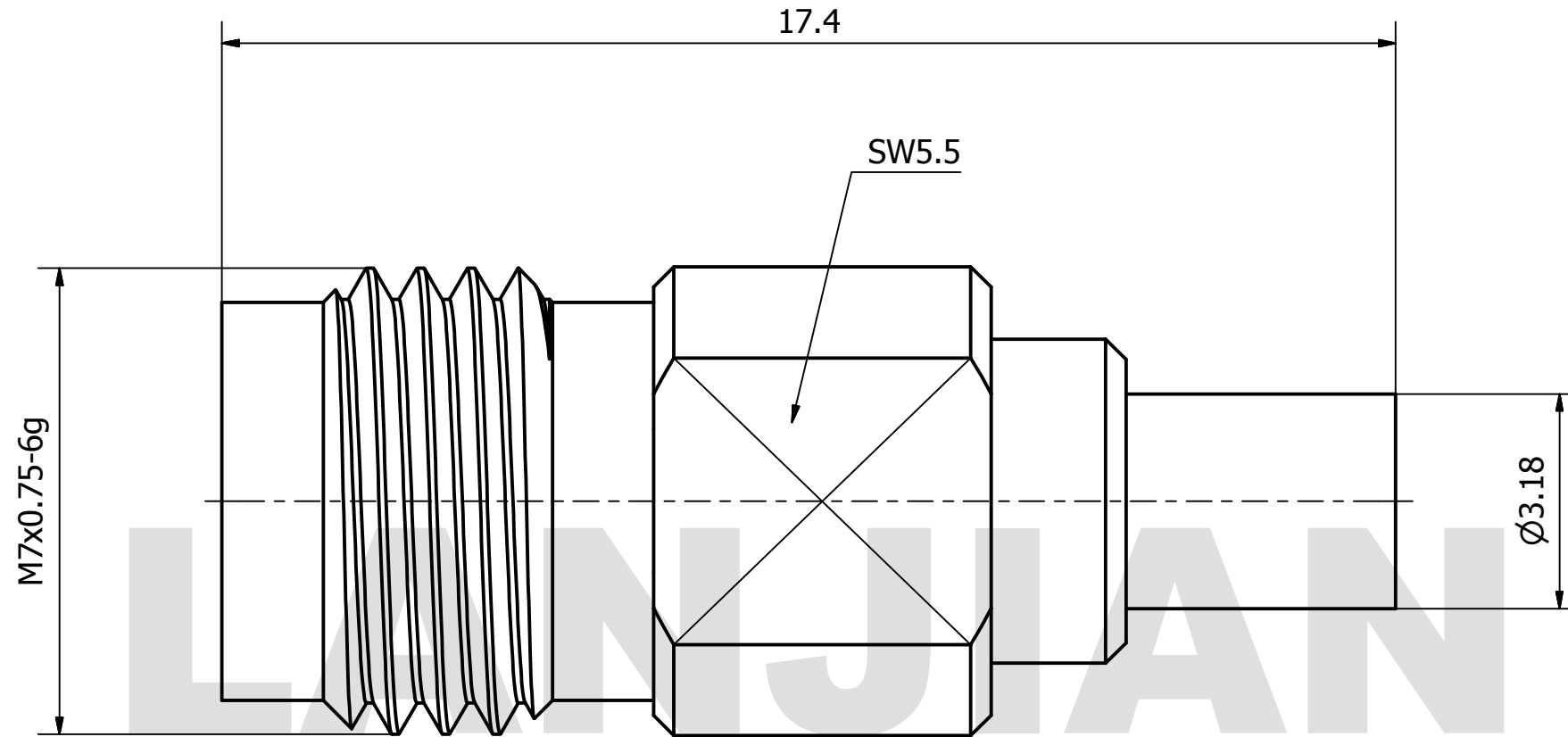


# PRODUCT DATA SHEET



**MATERIAL:**  
 BODY: STAINLESS STEEL PER AMS-5640,  
 ALLOY UNS S30300  
 CONTACT: BERYLLIUM COPPER PER ASTM B196.  
 ALLOY NO. UNS C17300  
 INSULATOR: PEI

**PERFORMANCE:**  
 IMPEDANCE: 50 OHMS  
 FREQUENCY: DC TO 50 GHz  
 VSWR: ≤1.30

|  |  |                         |                              |  |
|--|--|-------------------------|------------------------------|--|
| THIS DOCUMENT CONTAINS CONFIDENTIAL AND PROPRIETARY INFORMATION THAT CANNOT BE REPRODUCED OR DIVULGED, IN WHOLE OR IN PART, WITHOUT WRITTEN AUTHORIZATION FROM "LANJIAN ELECTRONICS" | MATERIAL :                                   |                         |                              | <p style="font-size: 10px; margin: 0;">38 Hengtong Road, Xinqu Dingmao<br/>Zhenjiang, 212009, Jiangsu, P. R. China</p> |
|  | UNLESS OTHERWISE SPECIFIED: DIMENSIONS IN MM |                         |                              |  |
|  | TOLERANCES :                                 |                         |                              |  |
|  | X.X ±0.20                                    | ANGULAR : ±1°           | DEBURR AND BREAK SHARP EDGES |  |
|  | X.XX ±0.10                                   | FILLETS R/C : ±0.10     |                              |  |
|  | X.XXX ±0.01                                  | SURFACE FINISH : Ra 1.6 |                              |  |
|  | NAME   | DATE                    | SIGNATURE                    |  |
|  | DRAWN  |                         |                              |  |
|  | CHK'D  |                         |                              |  |
|  | APPV'D                                       |                         |                              |  |
| MFG  |  |                         |                              |  |
| PROJECTION   | SIZE   | SCALE                   | DWG No.                      |  |
|  | A3   | 10 : 1                  | GCPZ3.640.O.004              |  |
| DO NOT SCALE THE DRAWING   |  |                         | REV.                         |  |
|  |  |                         | PAGE 1 / 1                   |  |