

ADC Products

BJ SERIES

-High Precision, Heavy Duty Lift Stages-

March 2020



SPECIFICATIONS

ADC's lift stages are driven by a high class preloaded ballscrew coupled to a high torque electric motor. Maximum rigidity is assured through the use of preloaded crossed roller linear bearings. Resolution requirements may be met using a gearbox. Each jack also features two fully adjustable, normally closed limit switches to define the extents of travel.

MECHANICAL

Specification	BJ10 Series	BJ25 Series
Travel (mm)	50, 100, 150	50, 100, 150
Lead Accuracy (um/25mm)	8.3	8.3
Travel Resolution (mm/rev)	0.254	0.260
Maximum Speed (mm/sec)	1.9	3
Load Capacity (kg)	750	2268

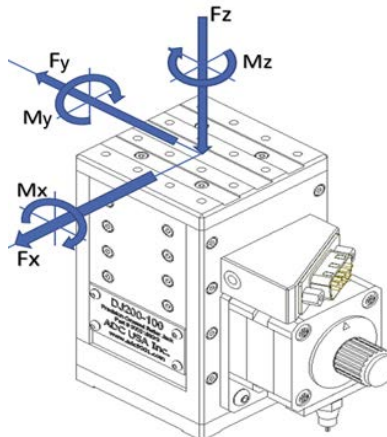
ELECTRICAL

Specification	BJ10 Series	BJ25 Series
Motor	2-Phase; 5-Phase Stepper; DC	
Limit Switches	Mechanical, Normally Closed	
Optical Encoder	Renishaw Tonic (http://www.renishaw.com)	

LOAD CHARACTERISTICS

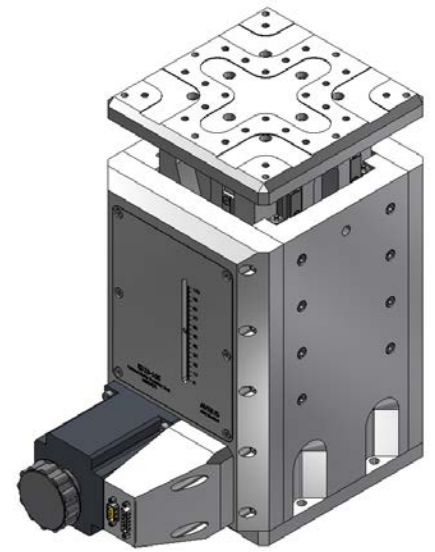
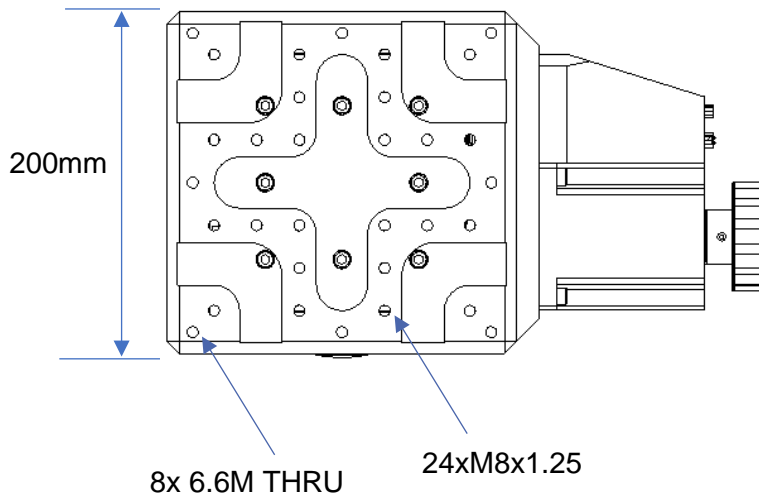
Model	Fx (N)	Fy (N)	Fz (N)	Mx (Nm)	My (Nm)	Mz (Nm)
BJ10-50	TBD	TBD	TBD	TBD	TBD	TBD
BJ10-100	TBD	TBD	TBD	TBD	TBD	TBD
BJ10-150	TBD	TBD	TBD	TBD	TBD	TBD
BJ25-50	20	20	24.5	745	745	1000
BJ25-100	26.7	26.7	24.5	745	745	1335
BJ25-150	33.5	33.5	24.5	745	745	1675

*Loads are not simultaneous

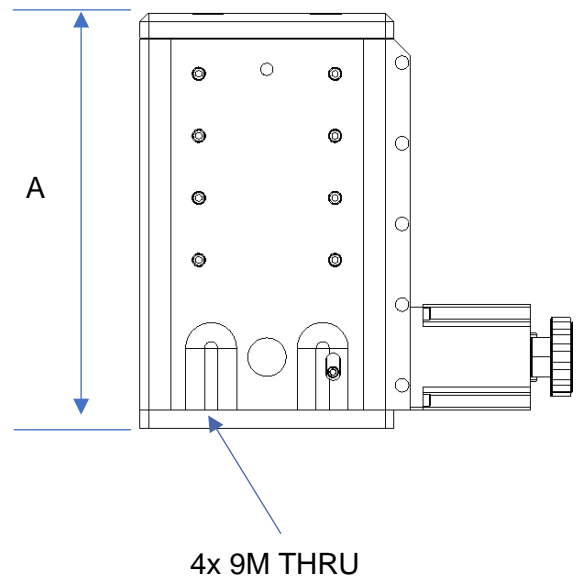


BJ10

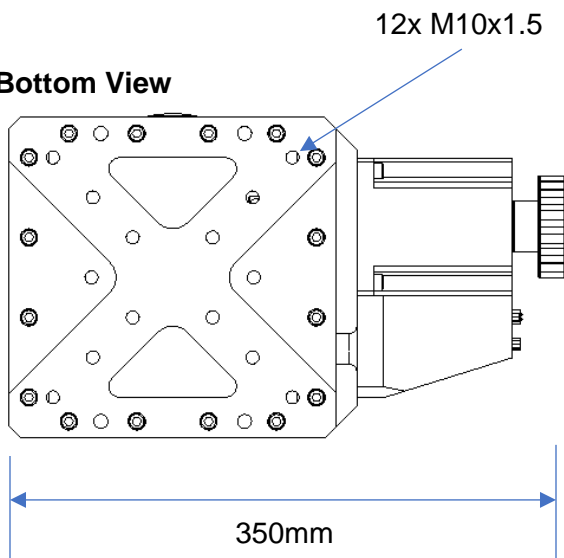
Top View



Side View



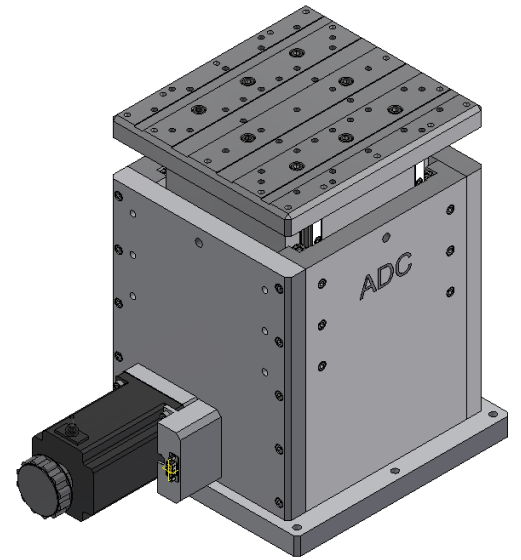
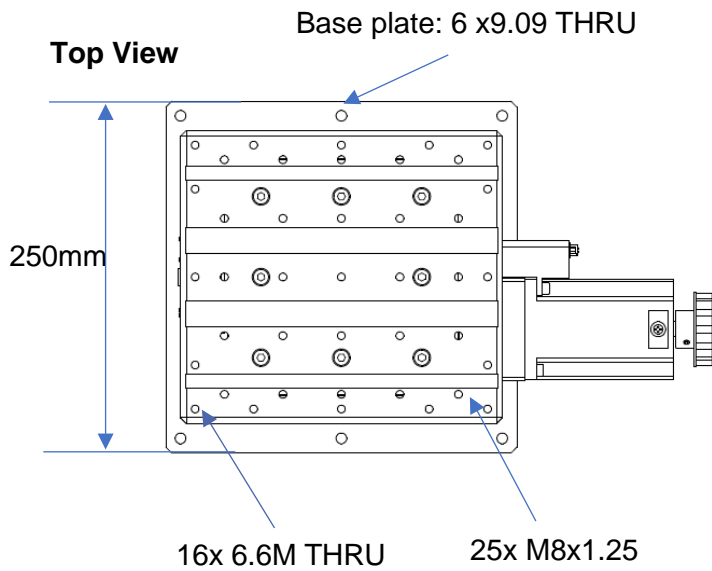
Bottom View



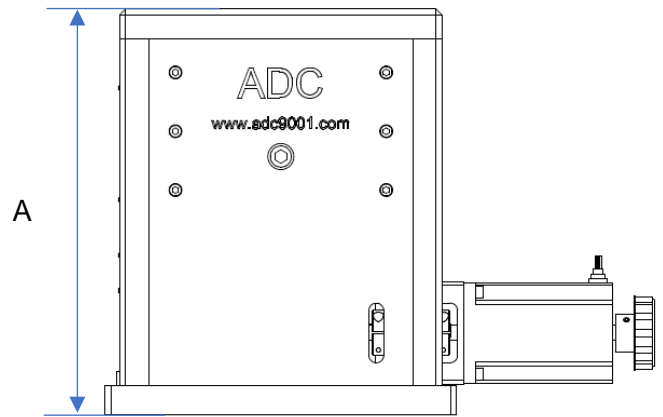
Model	50	100	150
A- Closed Height (mm)	TBD	335	TBD

BJ25

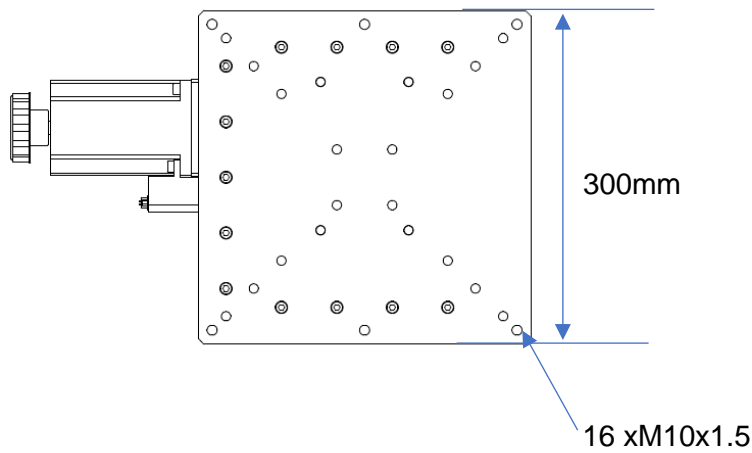
Top View



Side View



Bottom View



Model	50	100	150
A- Closed Height (mm)	345	410	475

ORDERING INFORMATION

Jacks can be ordered with different configurations. Please use the codes provided below when ordering. Please call or e-mail to ask about any other customization required.

BJ (Big Jack)	10 Series	25 Series
Travel Options (mm)	-50 -100 -150	-50 -100 -150
Encoder Options	-E (With Encoder) -N (Without Encoder)	
Brake Options	-B (With Brake, 24VDC) -N (Without Brake)	
Motor Options	-2PH (Standard 2 Phase Bi-Polar Stepper Motor) -5PH (5 Phase Stepper Motor) -DC (DC Motor)	
Gearbox Option	-GB (customer to enter desired ratio; 3:1 to 100:1 available)	

**Example Order:
BJ25-50-N-B-2PH**

This is an order for a BJ25 Precision Crossed Roller Jack with 50 mm travel, with an encoder, with no brake, a 2-phase motor, and no gearbox.

OTHER ADC STAGES



Linear Stages	Lift Stages
DS210	DJ210
DS310	DJ310
DS410	DJ410
DS510	BJ10
	BJ25
Tilt Stages/ Goniometers	Rotation Stages
TS-50	RS-100
TS-90	RS-200
TS-160	RS-300
TS-300	RS-400
TS-400	RS-500
TS-565	
TS-700	

