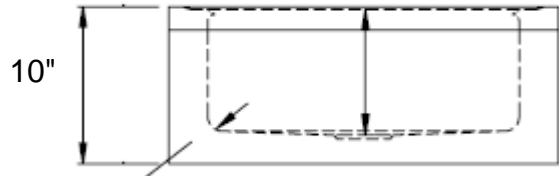
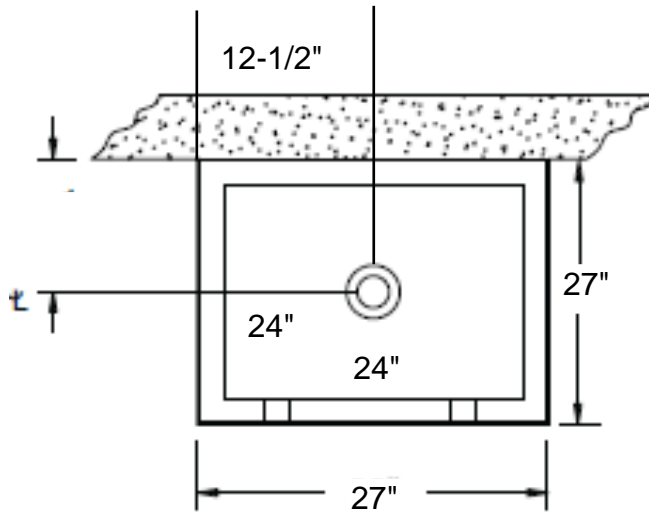


WICKETTS STAINLESS SPECIFICATION

Commercial Mop Sinks



Model Number			
WMS-2727-10	27	27	10
Custom			

Engineering Specification:

16 gauge, type 304 stainless mop sink. Top 1-1/2" wide top channel rims. Exposed surfaces polished to a #4 satin finish. With. 2" Or 3" drain.

WARNING:
 This product can expose you to chemicals, which are known to the State of California to cause cancer. For more information, visit www.P65Warnings.ca.gov.

Wicketts Stainless, LLC
 2616 San Miguel Dr. Bldg.# 376
 Newport Beach, CA 92660
 Tel. 951-858-2548
 Fax. 951-638-9059
 sales@wickettsstainless.com
 www.wickettsstainless.com



Approved for Manufacturing

Company: _____
 Signature: _____
 Print: _____ Date: / /