

# CHEF BASE REFRIGERATORS



ECB60X

ECB72X



ECB84X

Model	Size
ECB60X	60" Unit
ECB72X	72" Unit
ECB84X	84" Unit

## STANDARD FEATURES

- Stainless steel interior and exterior retains attractive finish longer. Matching aluminum finished back.
- Stainless steel top equipped with a marine edge enables the unit's top to contain drips and spills for easy cleanup.
- Refrigeration system keeps food at safe temperatures between 33°F and 41°F.
- Electronic control system makes it easy to adjust temperature set point and defrost frequency.
- Heavy-duty swivel casters are pre-installed.
- Easy to access condenser coil for cleaning and service.
- Uses R290 refrigerant, which is eco-friendly and more efficient.
- Drawers with Heavy-duty sliders
- Warranty: Drawers one (1) year parts & labor, Two year parts & labor warranty on the refrigeration system, and additional three years on compressor.

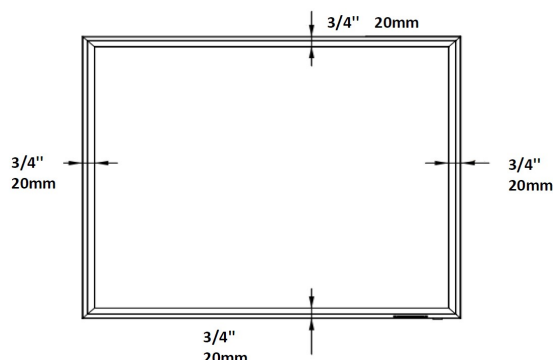
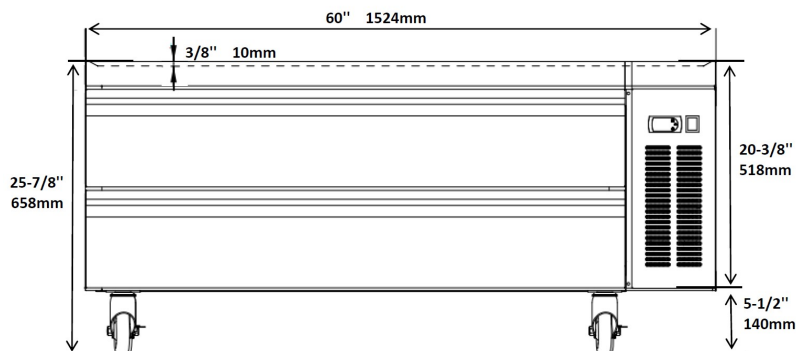
\*Not suitable for installation in a non-commercial or residential applications.

Items	Description	Items	Description
Front, top & sides	Stainless steel	Temperature control	Solid state thermostat/Digital display
Drawers	Stainless steel	Approvals	ETL LISTED
External back	Aluminum	Refrigerating system	Capillary tube
Cabinet interior	Stainless Steel	Refrigerant	R290
Interior floor	Stainless steel	Temperature range	33°F to 41°F
Insulation	Polyurethane (CFC free)	Evaporator	Powder coated aluminum/copper
		Condensing unit	Bottom mounted

CONFORMS TO NSF/ANSI STD 7

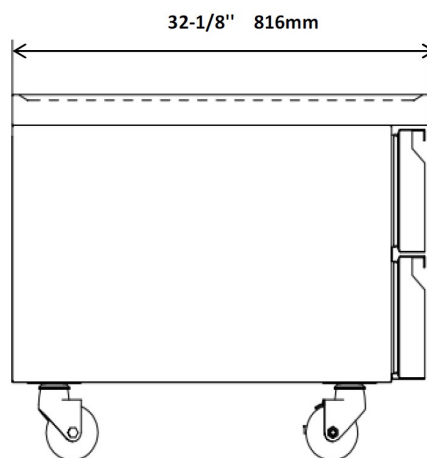
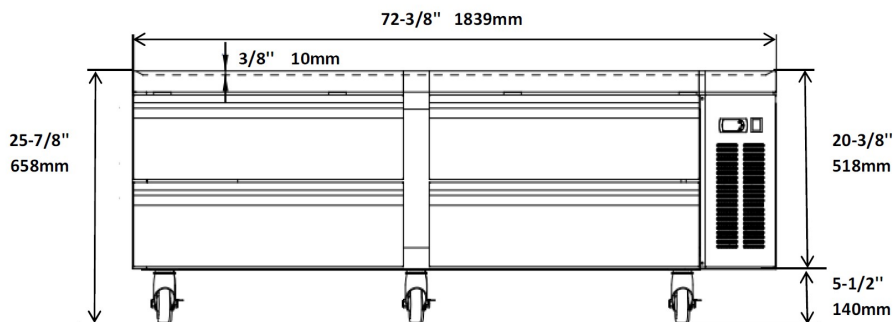
## ECB60X

### Top View - Showing Marine Edge

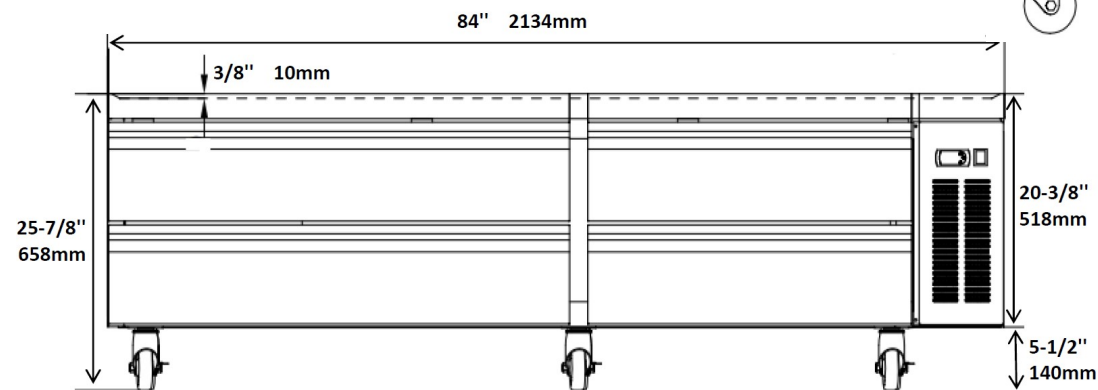


## ECB72X

### Side View - All



## ECB84X



Model	Drawers	GN Pans	Cabinet Dim (inches)			HP	Voltage	Amps	NEMA Plug	Cord Length	Ship Weight
			L	D	H						
ECB60X	2	6*1/1+6*1/6	60.0	32.125	25.875	1/6	115/60/1	5.0	5-15P	10	355
ECB72X	4	8*1/1	72.375	32.125	25.875	1/5	115/60/1	6.5	5-15P	10	484
ECB84X	4	10*1/1	84.0	32.125	25.875	1/5	115/60/1	6.84	5-15P	10	???