

ARIZONA FLYWHEELERS
P.O. BOX 2012
COTTONWOOD, AZ 86326



November
2019

ARIZONA FLYWHEELERS
P.O. BOX 2012
COTTONWOOD, AZ 86326

President Gary Covert
928 301 0649

Vice President Jim
Radley 928 899 5688

Treasurer Joan Miller
928 282 7549

Secretary Barry Adico
928 634 4490

ARIZONA FLYWHEELERS

President's Letter by Gary Covert

Well, the holiday season is fast approaching, seems like it comes around sooner each year.

The Christmas parade is December 7th, if you want to participate with your tractor or engine be at the fairgrounds by 10 AM so we can get lined and ready to start the parade at 11.

Our Christmas dinner will be on the 8th and everyone should have received a card explaining the cost and necessity of returning your reservation and money by Nov. 23rd. We have had a couple of shows lately to attend, a write up on each is included later in the newsletter. It is time to renew your Flywheeler membership as the new year starts Jan. 1st.

May everyone have a safe and enjoyable Holiday Season.

TALES - Slide Rock Event

Oct 5th was the Fall Apple Festival at the Slide Rock State Park.

We had a good turn out of engines and the weather was perfect.

Attendance was very good and the people seemed to enjoy the engines and asked a lot of question.

The scenery there is beautiful, so it makes for a pleasant day to have a show.

Gary Covert

Meeting Schedule

November 6, 2019

December 4, 2019

Christmas Party:
December 8, 2019

INSIDE THIS ISSUE

President's Message 1

Unusual engine ? 2

Slide Rock SP 3

Help needed 3

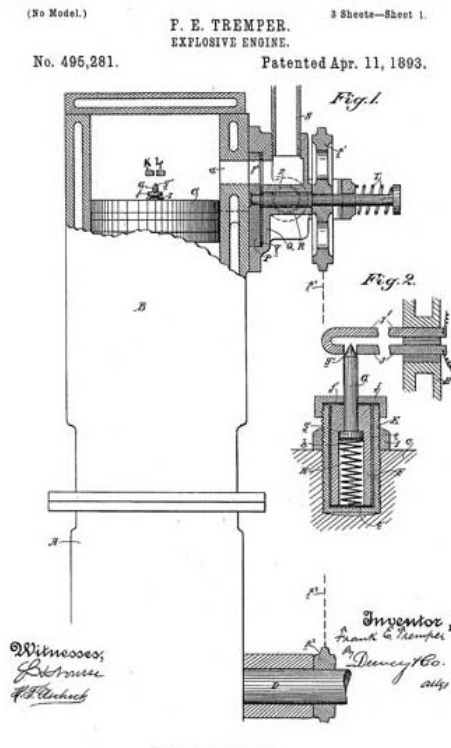
Classified ads 5

UPCOMING EVENTS:

- Oak Creek—Cornville School Nov. 23, Sat.
- Christmas Parade Dec. 7, fairgrounds.
- Christmas Party — December 8, 2019

Membership dues are payable by January 1st

Unusual Engine Design ?



original igniter patent incorporated a spring-loaded contact (item "G" in Fig. 2)

Spark plug inside piston : P. T. Templer Explosive Engine

Frank Tremper's Original igniter patent incorporated a spring-loaded contact (item "G" in Fig. 2) set in the piston head. Included in the patent was his scheme for a chain-driven rotary valve to control intake and exhaust (item "P" in Fig 1.)

Most antique engine collectors are familiar with "make-and-break" ignition systems. In this ignition style, two contacts come together, and a spark is created when they separate. One contact carries a low-voltage current, and the other goes to ground. An inductive coil in series with the contacts builds voltage during the brief time the points are closed, producing a voltage "kick" when the points open.

Numerous manufacturers used this rudimentary ignition scheme, but Frank E. Tremper, San Francisco, California, designed one of the earliest systems. In 1891 Tremper submitted a patent application on behalf of the Safety Vapor Engine Co., New York, New York, for "An Improvement in Explosive Engines." The final patent, no. 495,281, which also included Tremper's design for a rotary valve, was issued April 11, 1893.

Ignition

The key feature of Tremper's igniter was a spring-loaded contact, or "rod," set into the crown of the piston. A pair of stationary electrodes were set into the combustion chamber, and when the piston reached the top of its travel the rod made contact with two stationary electrodes (which could be configured any number of ways), completing the ignition circuit. The rod was tapered at its contact end to encourage a self-cleaning scraping action between the rod and the electrodes.

By containing the spring-loaded contact in its own fitting in the crown of the piston, the damaging effects of heat on the rod's spring could be minimized. Additionally, Tremper's design meant there were no moving pieces outside the combustion chamber. Curiously, this design was quickly followed by another patent, but it ran along a slightly different line of thought.

MINUTES OF MEETING

October 2 Meeting.

Called to order by President Covert at 7 AM Minutes were read and approved. Steve Fielder stated that there is no apple crop this year at Slide Rock. Our finance situation with no activity remains at \$8124.67, however, we are awaiting a bill from Starlight Printing for the recent newsletter. Vice President Radley stated that Ft. Verde Days will occur the weekend after next. Also "Return of the Rider" event celebration of Verde Valley Pioneers will be held. Former President Jim Mager is now in Texas with his family. President Covert talked to him this past Saturday. President Covert also stated that he received communication from the daughter of life member Lou Barnes relative to his condition. The Slide Rock event is October 5. Our fall event at the fairgrounds will be October 26. It was voted to do KFC as we have in the past. President will provide drinks. December 7 is the Cottonwood Christmas parade. December 8 is our Christmas dinner at Randall's. Donations and gifts are optional. It was commented that we will need the people mover at the fairgrounds event. The Village Gallery will hold its 10 years anniversary per Steve Fielder's wife.

Meeting adjourned at 7:18

Members Assist Slide Rock State Park

At Slide Rock State Park, Peter, I (Steve) and other volunteers are Restoring/Preserving a 1928 John Bean Orchard Sprayer. We should have most of it finished by our Fall Festival which is October 5th this year.

Several Flywheelers have donated parts for this project;

Rudy Valen donated the steel wheels. His church friend also donated to SRSP a Wooden Covered Wagon that SRSP volunteers can restore. Don Meakin donated a 3 HP International Harvester flywheel engine. Dan Dickey and his wife Verna, rebuilt the wooden water tank. Most of the sides were original 90 year old wood. Dan also built the wooden front axle which is not shown. Marty did most of the painting. Paul Joens provided the metal seat. Gary Covert helped locate the engine and offered to donate an engine but it was not the correct engine for the time. When we're finished restoring, it will look like the last picture but obviously with fresh paint. We'll also have another John Bean Sprayer hooked up to one of our old tractors along with a 1950 John Deere Manure spreader to another tractor. We hope the Flywheelers will come to our show on Oct 5th to this project. Thanks to all the great Rangers and volunteers at SRSP, Steve Fieldler .



Christmas Party is on December 8th, at Randall's Restaurant in Cottonwood.

Help Needed for our outside Swap Meet- March 2020

Don Barlow who has been in charge of the outside swap meet for years has decided he needs to turn it over to someone else. So if we are to continue to have the swap meet, someone must be willing to take it over. Don is willing to work with whoever volunteers and explain what needs to be done. Thanks in advance to who ever steps up.

Anyone interested please call me: Gary Covert, at 928-301-0649 for further details.

November 6, 2019
Meeting

Meeting called to order
at 7 AM by President
Covert

Minutes were read and
approved.

The finance report was
given with resultant
balance of \$7849.67

Vice President Radley
had no comment Jack
Castimore passed
around form to fill out
for the newsletter. He
also passed around a
“best of luck” card for
former President Jim

Continued on Page 5

OCTOBER FALL FESTIVAL EVENT

Fall Festival at Verde Valley Fairgrounds

Again this year we had great time at the Verde Valley Fairgrounds
Sponsored Fall Festival.

We had a nice turn out of tractors and engines. The tractor pull was
a success with plenty of pulling.

Most all the engines were running and a lot of question was asked
about them.

Troy Castimore was there with her Braiding Machine which always
draws a crowd.

The draft horse group put on a demonstration of draft horses pulling
logs through a obstacle course.

Paul Joens had his threshing machine operating which got a lot of
interest.

Do you know what a kernel wheat said after it went through the
thresher, I was reaped!!

Arizona Flywheelers,
Membership and Badge Application
P. O. Box 2012, Cottonwood, AZ 86326

Date: _____

Name _____

Spouse _____

Address _____

City _____ State _____ Zip _____

Telephone # (_____) _____

E-mail address _____

Dues are \$15 Family Amount Paid: _____

Badges: \$ 10.00 each (clip or Pin) Amount Paid: _____

Name on Badge _____

12.50 (magnet) Amount Paid: _____ Total Paid: _____

CLASSIFIED ADVERTISING

ENGINES:

- For sale; Member Don Meakin has for sale two pages of engines, etc. as he is selling his Flagstaff home. Sparta 2 hp on trucks \$ 700., also, Olds 4 hp; Economy: Water Lou Boy and many others. His contact information is 602-882-3968 or email: donmeakin@msn.com List available on the club web site.

TRACTORS:

- For Sale -1940 John Deere H. Restored condition, good rubber. \$3800.00 or offer. Contact Barry Adico 928 301 6444 cell / 928 634 4401 home

FOR SALE

- John Deere 1946 LA tractor, new tires all around, excellent running and in good condition. \$2500. Or best Reasonable Offer. Contact Gary Covert 928-301-0649

WANTED:

- Wanted - Hand crank for a Cushman model R. 2 pin starting shaft. Contact Larry Dorrell. 928 925 7091

PARTS / Misc.

Slide Rock Sate Park will give these 3 items to anybody who will come and pick them up. The **rims** fit on the **axle**. The other is a PTO **shaft**. Contact Steve Fieldler 928-284-1579 or can use email, STEVE FIEDLER <fsteve16@msn.com>

List your parts or miscellaneous here.



John Deere H.



John Deere LA 1946



Nov. minutes Continued: Jim Mager who has moved to Texas to be with family. The election of officers was held and it was voted to retain the same. Bob Peacock is doing the same as his daughters are taking care of him. The Slide Rock event was successful.

November 23, the Cornville School will hold its annual Old Time Fair and members are encouraged to attend. December 7, Cottonwood will have its annual Christmas parade. December 8, Flywheelers Christmas dinner will be held at Randall's. We need security for our March show. President said he filed our annual papers with the IRS. Meeting was adjourned at 7:11 AM

Business Advertisements can appear in this newsletter.

Contact: jack Castimore
at
jcastimore@hotmail.com

INTERESTING PICTURES

September 4, 2019

Meeting called to order at 7 AM by President Covert. Minutes were read and approved. The finance report was given; due to no activity the balance is \$8124.67. There was no comment from VP Radley as he is in Iowa. Jack Castimore will issue a newsletter shortly. Former President Jim Mager will be discharged from the care facility in a week and will relocate with family in Texas. The Slide Rock event will be October 5. Steve Fiedler commented on improvement being made and that the apple crop is minimal. The Christmas party is scheduled for December 8 the second Sunday. October 26 will be the fall festival at the fairgrounds. Sedona Heritage Museum's Catapiller D-2 was started by some members and worked fine. Jim Mager had donated his John Deere LA which is currently at Jack Castimore's house formerly Gene De Camp's. Motion was made and passed to attempt sale. It was decided to seek \$2500 and suggested asking price be \$2750 to effect negotiation. Also an attempt will be made to sell at the Slide Rock event.



*Slide Rock - above /
Fall festival -below*



Photo's by Steve Rench.

SHOW SECURITY REQUEST

Security for the show in March, 2020. We are in need for someone (s) to provide security for our show in March. We realize staying awake all night sort of ruins going to the show during the day. It will be Thursday and Friday night 8 pm to -6 am, 10 hours. Free parking for a RV would be provided. Anyone interested please call Gary Covert, at 928-301-0649 for further details.

ARIZONA FLYWHEELERS

ARIZONA FLYWHEELERS
P.O. BOX 2012
COTTONWOOD, AZ 86326



ARIZONA FLYWHEELERS
P.O. BOX 2012
COTTONWOOD, AZ 86326
President Gary Covert
928 301 0649
Vice President Jim Radley
928 899 5688
Treasurer Joan Miller
928 282 7549
Secretary Barry Adico
928 634 4490

ARIZONA FLYWHEELERS

Membership dues are payable by January 1st

Membership Dues are 15.00 dollars per year. Badges are \$10.00 or \$12.50 each,
Hats are \$10.00 and Tee shirts are \$ 5.00. Polo shirts are \$20.,& \$22 for 2xl.
Order from Arizona Flywheelers, P.O.Box 2012 Cottonwood, AZ 86326.
Make checks payable to Arizona Flywheelers. Thank you

Please visit our website - www.arizonaflywheelers.com