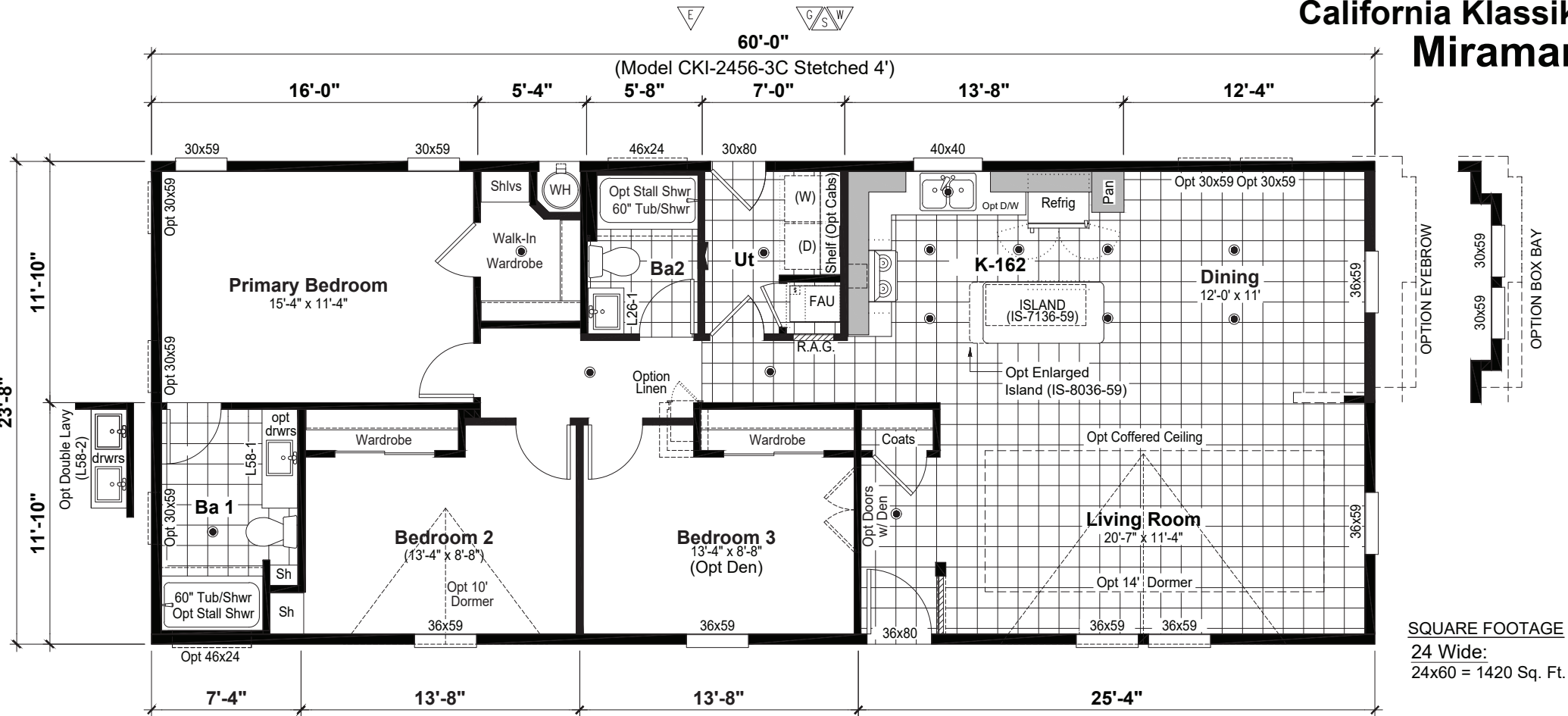


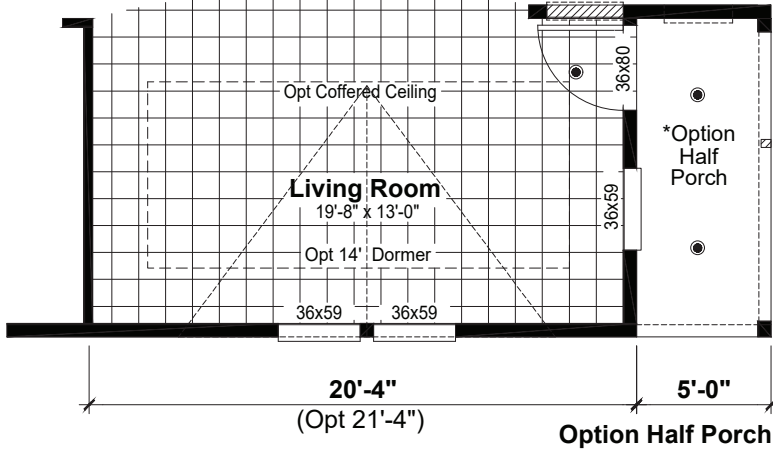
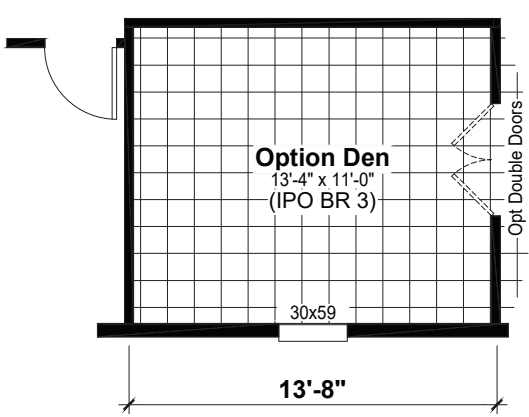
California Klassik Miramar



SQUARE FOOTAGE
24 Wide:
24x60 = 1420 Sq. Ft.

- This Plan Includes:**
- 9'-0" Ceilings
 - 2x4 Interior walls
 - Option 6" Ext Walls
 - Option 36" Doors

NOTE:
THIS FLOORPLAN IS
MODEL CKII-2456-3C
STRETCHED 4'



***(W/ OPT HALF PORCH)**
24 Wide:
24x60 = 1361 Sq. Ft.



**60' THREE BEDROOM
CKII-2460-3A**
(REFERENHCE 2456-3C STRETCHED 4')
Print Date: 12.01.21 (F1) dh