

BETHEL HANBERRY ELEMENTARY SCHOOL

EXTERIOR SUBMITTAL

125 BONEY ROAD, BLYTHEWOOD, SC 29016

ALUMINUM STOREFRONT INSTALLER



25 LITTLEJOHN GLEN COURT
GREENVILLE, SC 29615
PH: 864.288.1272
FAX: 864.288.1279
WWW.GRAHAMHODGE.COM

METAL MANUFACTURER

KAWNEER
AN ALCOA COMPANY
WWW.KAWNEER.COM

GENERAL CONTRACTOR

HARPER CORPORATION
35 WEST COURT STREET, SUITE 400
GREENVILLE, SC 29601
P: 864.527.2500
F: 866.782.9450

ARCHITECT

CRAIG | GAULDEN | DAVIS
19 WASHINGTON PARK
GREENVILLE, SC 29601
P: 864.242.0761
F: 864.501.9945
EMAIL: CGD@CGDARCH.COM

ABBREVIATIONS AND SYMBOLS

A/C = ACCESS CONTROLLED	N.I.C. = NOT IN CONTRACT
A.F.F. = ABOVE FINISHED FLOOR	N.T.S. = NOT TO SCALE
B.O.H. = BOTTOM OF HORIZONTAL	O.D. = OPENING DIMENSION
C.L. = CENTER LINE	O.F.D. = OVERALL FRAME DIMENSION
DIM. = DIMENSION	REF. = REFERENCE
D.L.O. = DAYLIGHT OPENING	R.O. = ROUGH OPENING
D.L. = DEAD LOAD (ANCHOR)	T.O.F.F. = TOP OF FINISHED FLOOR
D.O. = DOOR OPENING	T.O.H. = TOP OF HORIZONTAL
EL. = ELEVATION	T.O.S. = TOP OF SLAB
F.S. = FRAME SIZE	T.O.STL. = TOP OF STEEL
F.F. = FINISH FLOOR	U.N.O. = UNLESS NOTED OTHERWISE
G.C. = GENERAL CONTRACTOR	W.C. = WEB CENTER
M.O. = MASONRY OPENING	W.D. = WINDOW DIMENSION
M.L. = MULLION LENGTH	W.L. = WIND LOAD (ANCHOR)
HM = HOLLOW METAL BY OTHERS	W.P. = WORKING POINT
N.B.G.H. = NOT BY GRAHAM HODGE	

	-- WORK POINT		--BACKER ROD & SEALANT
	-- WIND/DEAD LOAD ANCHOR LOCATION		--DIMENSION LUMBER
	-- GLASS TYPE		--CUT STONE
	--WINDOW DESIGNATION		--CONCRETE
	--DOOR DESIGNATION		--CONCRETE BLOCK
	--INDICATES ITEMS TO BE VERIFIED BY CUSTOMER.		--BATT INSULATION
	--DETAIL MARK		--STEEL IN SECTION

DRAWING SHEET INDEX

PAGE #	DESCRIPTION
.01	COVER PAGE
.02-.03	SCHEDULES
1.01-1.14	FLOOR PLANS
1.15-1.19	BUILDING ELEVATIONS
1.20	STEEL LAYOUT CONCERNS
2.01-2.48	ELEVATIONS
3.01-3.34	DETAILS
4.01-4.13	STEEL ANCHOR DETAILS

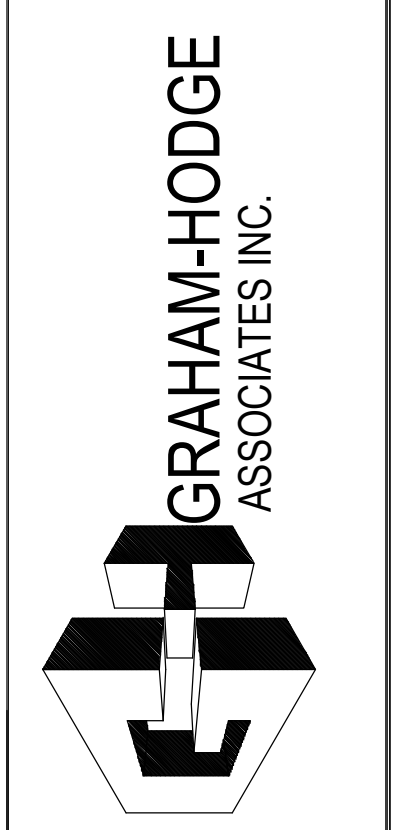
SPECIAL NOTES:

- SEE SEPARATE SAMPLES FOR GLASS MAKE UP.
- ALL BLOCKING AND STRUCTURAL SUPPORT IS SUPPLIED AND INSTALLED BY OTHERS
- CURTAIN WALL MID-ANCHOR SUPPORT STEEL (N.B.G.H.) IS PENDING

ERECTOR / G.C. NOTE:
PLEASE FIELD VERIFY ALL DIMENSIONS

REV	DESCRIPTION	DATE
1	1ST REVISION (RA)	06.19.21
2	2ND REVISION (ENGINEERING)	06.08.21
3	3RD REVISION (WALL RESISTANT)	06.03.21
NO	DESCRIPTION	

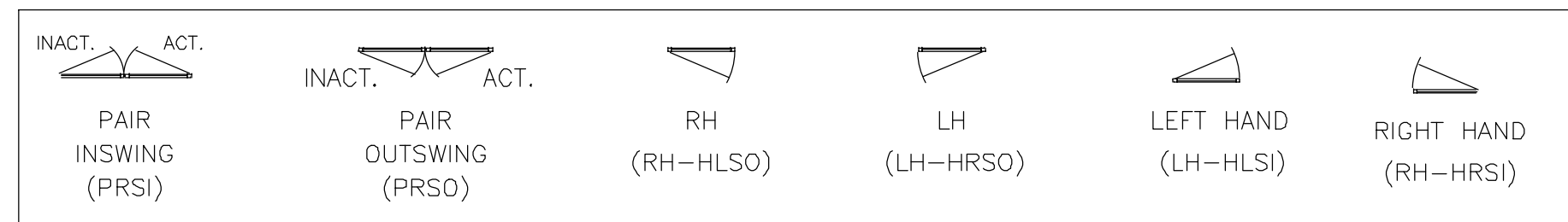
BETHEL HANBERRY ELEMENTARY SCHOOL
EXTERIOR SUBMITTAL
125 BONEY ROAD, BLYTHEWOOD, SC 29016



JOB #
20-018

DRAWN BY:	DATE:
RA	04.23.21
CHECKED BY:	DATE:
EW	04.23.21

DOOR SCHEDULE - PHASE 1					
DOOR	DOOR OPENING SIZE	HAND	FRAMING	FRAME TYPE	DOOR TYPE
A116	6'-0" X 7'-1 1/2"	PRSO	451	SF31	500 HW WIDE
B109B	3'-0" X 7'-0"	RH-HLSO	451	SF22	500 HW WIDE
B111B	3'-0" X 7'-0"	LH-HRSO	451	SF21	500 HW WIDE
B113B	3'-0" X 7'-0"	RH-HLSO	451	SF22	500 HW WIDE
B115B	3'-0" X 7'-0"	LH-HRSO	451	SF21	500 HW WIDE
C110B	3'-0" X 7'-0"	LH-HRSO	451	SF21 S.S.	500 HW WIDE
C112B	3'-0" X 7'-0"	RH-HLSO	451	SF22 S.S.	500 HW WIDE
C114B	3'-0" X 7'-0"	LH-HRSO	451	SF21 S.S.	500 HW WIDE
C116B	3'-0" X 7'-0"	RH-HLSO	451	SF22 S.S.	500 HW WIDE
H100A	6'-0" X 7'-5 7/8"	PRSO	1600	CW10	500 HW WIDE
H100B	6'-0" X 7'-5 7/8"	PRSO	1600	CW10	500 HW WIDE
H100C	6'-0" X 7'-0"	PRSO	1600	WI09	500 HW WIDE
H100D	6'-0" X 7'-0"	PRSO	1600	WI09	500 HW WIDE
H101A	6'-0" X 7'-0"	PRSO	1600	CW14	500 HW WIDE
H101B	6'-0" X 7'-0"	PRSO	1600	CW12	500 HW WIDE
H101C	6'-0" X 7'-0"	PRSO	451	SF10	500 HW WIDE
H103A	3'-0" X 7'-0"	RH-HLSO	451	SF02	500 HW WIDE
H105A	6'-0" X 7'-0"	PRSO	1600	CW15 OPP.	500 HW WIDE
H108A	6'-0" X 7'-0"	PRSO	1600	CW15	500 HW WIDE



DOOR NOTES:

- DOORS ARE KAWNEER 500 HEAVY WALL WIDE STILE WITH 5" TOP RAIL, 6" CROSS RAIL AND 10" BOTTOM RAIL. EXTERIOR DOORS TO RECEIVE 1" GLASS.

DOOR HARDWARE NOTES:

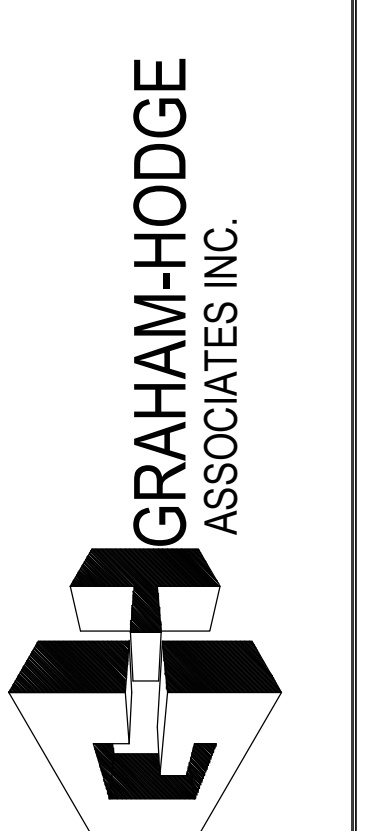
- ALL DOOR HARDWARE IS SUPPLIED BY OTHERS. GRAHAM HODGE WILL PREP AND INSTALL FOR THE HARDWARE. AN APPROVED HARDWARE SCHEDULE MUST BE PROVIDED PRIOR TO FABRICATION. ANY DELAY IN RECEIVING AN APPROVED HARDWARE SCHEDULE WILL RESULT IN A DIRECT DELAY IN THE DOOR SHIPMENT.
- ALL HARDWARE MUST BE RECEIVED PRIOR TO DOOR FABRICATION. PLEASE COORDINATE WITH GRAHAM HODGE FOR SHIPPING INFORMATION. PLEASE MARK ALL BOXES CLEARLY TO INCLUDE DOOR NUMBERS. ANY DELAY IN RECEIVING THE DOOR HARDWARE WILL RESULT IN A DIRECT DELAY IN THE DOOR SHIPMENT.

GLASS SCHEDULE

SYMBOL	DESCRIPTION (SEE SUBMITTALS)
GL1	1" INSULATED VISION GLASS - 1/4" CRYSTAL GRAY HEAT STRENGTHENED W/ GUARDIAN SNX 62/27 (#2) - 1/2" SPACER W/ ARGON - 1/4" CLEAR ANNEALED
GL1 T	1" INSULATED VISION GLASS (SAFETY) - 1/4" CRYSTAL GRAY TEMPERED W/ GUARDIAN SNX 62/27 (#2) - 1/2" SPACER W/ ARGON - 1/4" CLEAR TEMPERED
GL2	1 1/16" INSULATED SPANDREL GLASS - 1/4" CLEAR HEAT STRENGTHENED W/ GUARDIAN SNX 62/27 (#2) - 3/8" SPACER W/ ARGON - 3/16" CLEAR HEAT STRENGTHENED - .060 ARTIC SNOW INTERLAYER - 3/16" CLEAR HEAT STRENGTHENED
GL3	1" INSULATED SPANDREL GLASS - 1/4" CLEAR HEAT STRENGTHENED W/ GUARDIAN SNX 62/27 (#2) - 1/2" SPACER W/ ARGON - 1/4" CLEAR HEAT STRENGTHENED W/ FRIT SPANDREL (#4) COLOR T.B.D.
GL4	1" INSULATED SPANDREL GLASS - 1/4" CLEAR HEAT STRENGTHENED W/ GUARDIAN SNX 62/27 (#2) - 1/2" SPACER W/ ARGON - 1/4" CLEAR HEAT STRENGTHENED W/ CUSTOM SILKSCREEN PATTERN (#4) T.B.D.
GL5	1 1/16" INSULATED SPANDREL GLASS - 1/4" CLEAR HEAT STRENGTHENED W/ GUARDIAN SNX 62/27 (#2) - 3/8" SPACER W/ ARGON - 3/16" CLEAR HEAT STRENGTHENED - .060 BLUE INTERLAYER - 3/16" CLEAR HEAT STRENGTHENED
GL6	1 1/16" INSULATED SPANDREL GLASS - 1/4" CLEAR HEAT STRENGTHENED W/ GUARDIAN SNX 62/27 (#2) - 3/8" SPACER W/ ARGON - 3/16" CLEAR HEAT STRENGTHENED - .060 PURPLE INTERLAYER - 3/16" CLEAR HEAT STRENGTHENED
GL7	1 1/16" INSULATED SPANDREL GLASS - 1/4" CLEAR HEAT STRENGTHENED W/ GUARDIAN SNX 62/27 (#2) - 3/8" SPACER W/ ARGON - 3/16" CLEAR HEAT STRENGTHENED - .060 YELLOW INTERLAYER - 3/16" CLEAR HEAT STRENGTHENED
GL8	1 1/16" INSULATED SPANDREL GLASS - 1/4" CLEAR HEAT STRENGTHENED W/ GUARDIAN SNX 62/27 (#2) - 3/8" SPACER W/ ARGON - 3/16" CLEAR HEAT STRENGTHENED - .060 GREEN INTERLAYER - 3/16" CLEAR HEAT STRENGTHENED
BR	1" GLASS CLAD POLYCARBONATE (BULLET RESISTANT) - 1/4" GLASS - .025 URETHANE - 1/4" GLASS - .025 URETHANE - 1/4" GLASS - .075 URETHANE - 1/8" MAR RESISTANT POLYCARBONATE

REV	DESCRIPTION	DATE
1	1ST REVISION (RA)	06.19.21
2	2ND REVISION (ENGINEERING)	06.08.21
3	3RD REVISION (BULLET RESISTANT)	08.03.21

BETHEL HANBERRY ELEMENTARY SCHOOL
EXTERIOR SUBMITTAL
125 BONEY ROAD, BLYTHEWOOD, SC 29016



JOB #
20-018

DRAWN BY:	DATE:
RA	04.23.21
CHECKED BY:	DATE:
EW	04.23.21

CURTAINWALL / STOREFRONT WINDOW SYSTEM SCHEDULE					
WINDOW	PAGE #	FRAMING SYSTEM	DOOR(S)	GLAZING	QUANTITY
CW01	2.01	KAWNEER 1600 SYSTEM 1 - 2 1/2" X 7 1/2" ALUMINUM CURTAINWALL TO ACCEPT 1" GLASS	N/A	GL1 GL1 T GL5 GL7	1
CW02	2.02	KAWNEER 1600 SYSTEM 1 - 2 1/2" X 7 1/2" ALUMINUM CURTAINWALL TO ACCEPT 1" GLASS	N/A	GL1 GL1 T GL6 GL8	1
CW03	2.03	KAWNEER 1600 SYSTEM 1 - 2 1/2" X 7 1/2" ALUMINUM CURTAINWALL TO ACCEPT 1" GLASS	N/A	GL1 GL1 T GL6 GL7	1
CW04	2.04	KAWNEER 1600 SYSTEM 1 - 2 1/2" X 7 1/2" ALUMINUM CURTAINWALL TO ACCEPT 1" GLASS	N/A	GL1 GL1 T GL6 GL7 GL8	1
CW05	2.05	KAWNEER 1600 SYSTEM 1 - 2 1/2" X 7 1/2" ALUMINUM CURTAINWALL TO ACCEPT 1" GLASS	N/A	GL1 GL1 T GL5 GL6 GL7 GL8	1
CW06	2.06	KAWNEER 1600 SYSTEM 1 - 2 1/2" X 7 1/2" ALUMINUM CURTAINWALL TO ACCEPT 1" GLASS	N/A	GL1 GL1 T GL6 GL7	1
CW07	2.07	KAWNEER 1600 SYSTEM 1 - 2 1/2" X 7 1/2" ALUMINUM CURTAINWALL TO ACCEPT 1" GLASS	N/A	GL1	1
CW08	2.08	KAWNEER 1600 SYSTEM 1 - 2 1/2" X 7 1/2" ALUMINUM CURTAINWALL TO ACCEPT 1" GLASS	N/A	GL1	1
CW09	2.09	KAWNEER 1600 SYSTEM 1 - 2 1/2" X 7 1/2" ALUMINUM CURTAINWALL TO ACCEPT 1" GLASS	N/A	GL1 GL4 GL4 T	1
CW10	2.10	KAWNEER 1600 SYSTEM 1 - 2 1/2" X 7 1/2" ALUMINUM CURTAINWALL TO ACCEPT 1" GLASS	H100A H100B	GL1 GL1 T GL4	1
CW11	2.11	KAWNEER 1600 SYSTEM 1 - 2 1/2" X 7 1/2" ALUMINUM CURTAINWALL TO ACCEPT 1" GLASS	N/A	GL1 GL1 T	1
CW12	2.12	KAWNEER 1600 SYSTEM 1 - 2 1/2" X 7 1/2" ALUMINUM CURTAINWALL TO ACCEPT 1" GLASS	H101B	GL1 GL1 T GL4	1
CW13	2.13 - 2.15	KAWNEER 1600 SYSTEM 1 - 2 1/2" X 7 1/2" ALUMINUM CURTAINWALL TO ACCEPT 1" GLASS	N/A	GL1 GL1 T GL4	1
CW14	2.16	KAWNEER 1600 SYSTEM 1 - 2 1/2" X 7 1/2" ALUMINUM CURTAINWALL TO ACCEPT 1" GLASS	H101A	GL1 GL1 T GL4	1
CW15	2.17	KAWNEER 1600 SYSTEM 1 - 2 1/2" X 7 1/2" ALUMINUM CURTAINWALL TO ACCEPT 1" GLASS	H108A	GL1 GL1 T GL3	1
CW15 OPP.	2.18	KAWNEER 1600 SYSTEM 1 - 2 1/2" X 7 1/2" ALUMINUM CURTAINWALL TO ACCEPT 1" GLASS	H105A	GL1 GL1 T GL3	1
CW16	2.19	KAWNEER 1600 SYSTEM 1 - 2 1/2" X 7 1/2" ALUMINUM CURTAINWALL TO ACCEPT 1" GLASS	N/A	GL1 GL1 T GL3	1
CW16 OPP.	2.19	KAWNEER 1600 SYSTEM 1 - 2 1/2" X 7 1/2" ALUMINUM CURTAINWALL TO ACCEPT 1" GLASS	N/A	GL1 GL1 T GL3	1
SF01	2.20	KAWNEER 451T - 2" X 4 1/2" (CENTER SET) ALUMINUM STOREFRONT TO ACCEPT 1" GLASS	N/A	GL1	19
SF01 OPP.	2.20	KAWNEER 451T - 2" X 4 1/2" (CENTER SET) ALUMINUM STOREFRONT TO ACCEPT 1" GLASS	N/A	GL1	4
SF02	2.20	KAWNEER 451T - 2" X 4 1/2" (CENTER SET) ALUMINUM STOREFRONT TO ACCEPT 1" GLASS	H103A	GL1 GL1 T	1
SF03A	2.21	KAWNEER 451T - 2" X 4 1/2" (CENTER SET) ALUMINUM STOREFRONT TO ACCEPT 1" GLASS	N/A	GL2 GL8	1
SF03B	2.22	KAWNEER 451T - 2" X 4 1/2" (CENTER SET) ALUMINUM STOREFRONT TO ACCEPT 1" GLASS	N/A	GL2 GL8	1
SF04	2.23	KAWNEER 451T - 2" X 4 1/2" (CENTER SET) ALUMINUM STOREFRONT TO ACCEPT 1" GLASS	N/A	GL2 GL8	1
SF05	2.24 - 2.25	KAWNEER 451T - 2" X 4 1/2" (CENTER SET) ALUMINUM STOREFRONT TO ACCEPT 1" GLASS	N/A	GL2 GL8	1
SF06	2.26 - 2.27	KAWNEER 451T - 2" X 4 1/2" (CENTER SET) ALUMINUM STOREFRONT TO ACCEPT 1" GLASS	N/A	GL1	1
SF07	2.28	KAWNEER 451T - 2" X 4 1/2" (CENTER SET) ALUMINUM STOREFRONT TO ACCEPT 1" GLASS	N/A	GL1	1
SF08	2.29	KAWNEER 451T - 2" X 4 1/2" (CENTER SET) ALUMINUM STOREFRONT TO ACCEPT 1" GLASS	N/A	GL1	1
SF09	2.29	KAWNEER 451T - 2" X 4 1/2" (CENTER SET) ALUMINUM STOREFRONT TO ACCEPT 1" GLASS	N/A	GL1	1
SF10	2.30	KAWNEER 451T - 2" X 4 1/2" (CENTER SET) ALUMINUM STOREFRONT TO ACCEPT 1" GLASS	H101C	GL1 GL1 T	1
SF11	2.30	KAWNEER 451T - 2" X 4 1/2" (CENTER SET) ALUMINUM STOREFRONT TO ACCEPT 1" GLASS	N/A	GL1	2
SF12	2.31	KAWNEER 451T - 2" X 4 1/2" (CENTER SET) ALUMINUM STOREFRONT TO ACCEPT 1" GLASS	N/A	GL1	1
SF13	2.32	KAWNEER 451T - 2" X 4 1/2" (CENTER SET) ALUMINUM STOREFRONT TO ACCEPT 1" GLASS	N/A	GL1	1
SF14	2.33	KAWNEER 451T - 2" X 4 1/2" (CENTER SET) ALUMINUM STOREFRONT TO ACCEPT 1" GLASS	N/A	GL1	1
SF15	2.33	KAWNEER 451T - 2" X 4 1/2" (CENTER SET) ALUMINUM STOREFRONT TO ACCEPT 1" GLASS	N/A	GL1	1
SF16	2.34	KAWNEER 451T - 2" X 4 1/2" (CENTER SET) ALUMINUM STOREFRONT TO ACCEPT 1" GLASS	N/A	GL1	1
SF17	2.35	KAWNEER 451T - 2" X 4 1/2" (CENTER SET) ALUMINUM STOREFRONT TO ACCEPT 1" GLASS	N/A	GL1	1
SF18	2.36	KAWNEER 451T - 2" X 4 1/2" (CENTER SET) ALUMINUM STOREFRONT TO ACCEPT 1" GLASS	N/A	GL1	1
SF19	2.37	KAWNEER 451T - 2" X 4 1/2" (CENTER SET) ALUMINUM STOREFRONT TO ACCEPT 1" GLASS	N/A	GL1	4
SF19 OPP.	2.37	KAWNEER 451T - 2" X 4 1/2" (CENTER SET) ALUMINUM STOREFRONT TO ACCEPT 1" GLASS	N/A	GL1	4
SF20	2.37	KAWNEER 451T - 2" X 4 1/2" (CENTER SET) ALUMINUM STOREFRONT TO ACCEPT 1" GLASS	N/A	GL1	4
SF20 OPP.	2.37	KAWNEER 451T - 2" X 4 1/2" (CENTER SET) ALUMINUM STOREFRONT TO ACCEPT 1" GLASS	N/A	GL1	4
SF21	2.38	KAWNEER 451T - 2" X 4 1/2" (CENTER SET) ALUMINUM STOREFRONT TO ACCEPT 1" GLASS	B111B B115B	GL1 GL1 T	2
SF21 S.S.	2.39	KAWNEER 451T - 2" X 4 1/2" (CENTER SET) ALUMINUM STOREFRONT TO ACCEPT 1" GLASS	C110B C114B	GL1 GL1 T	2

CURTAINWALL / STOREFRONT WINDOW SYSTEM SCHEDULE					
WINDOW	PAGE #	FRAMING SYSTEM	DOOR(S)	GLAZING	QUANTITY
SF22	2.40	KAWNEER 451T - 2" X 4 1/2" (CENTER SET) ALUMINUM STOREFRONT TO ACCEPT 1" GLASS	B109B B113B	GL1 GL1 T	2
SF22 S.S.	2.41	KAWNEER 451T - 2" X 4 1/2" (CENTER SET) ALUMINUM STOREFRONT TO ACCEPT 1" GLASS	C112B C116B	GL1 GL1 T	2
SF23	2.42	KAWNEER 451T - 2" X 4 1/2" (CENTER SET) ALUMINUM STOREFRONT TO ACCEPT 1" GLASS	N/A	GL1	10
SF23 S.S.	2.42	KAWNEER 451T - 2" X 4 1/2" (CENTER SET) ALUMINUM STOREFRONT TO ACCEPT 1" GLASS	N/A	GL1	2
SF23 OPP.	2.43	KAWNEER 451T - 2" X 4 1/2" (CENTER SET) ALUMINUM STOREFRONT TO ACCEPT 1" GLASS	N/A	GL1	2
SF23 OPP. S.S.	2.43	KAWNEER 451T - 2" X 4 1/2" (CENTER SET) ALUMINUM STOREFRONT TO ACCEPT 1" GLASS	N/A	GL1	10
SF24	2.44	KAWNEER 451T - 2" X 4 1/2" (CENTER SET) ALUMINUM STOREFRONT TO ACCEPT 1" GLASS	N/A	GL1	12
SF24 OPP.	2.44	KAWNEER 451T - 2" X 4 1/2" (CENTER SET) ALUMINUM STOREFRONT TO ACCEPT 1" GLASS	N/A	GL1	12
SF25	2.44	KAWNEER 451T - 2" X 4 1/2" (CENTER SET) ALUMINUM STOREFRONT TO ACCEPT 1" GLASS	N/A	GL1	2
SF25 S.S.	2.45	KAWNEER 451T - 2" X 4 1/2" (CENTER SET) ALUMINUM STOREFRONT TO ACCEPT 1" GLASS	N/A	GL1	2
SF26	2.45	KAWNEER 451T - 2" X 4 1/2" (CENTER SET) ALUMINUM STOREFRONT TO ACCEPT 1" GLASS	N/A	GL1	2
SF26 S.S.	2.46	KAWNEER 451T - 2" X 4 1/2" (CENTER SET) ALUMINUM STOREFRONT TO ACCEPT 1" GLASS	N/A	GL1	2
SF27	2.46	KAWNEER 1600 SYSTEM 1 - 2 1/2" X 7 1/2" ALUMINUM CURTAINWALL TO ACCEPT 1" GLASS	N/A	GL1	4
SF28	2.46	KAWNEER 451T - 2" X 4 1/2" (CENTER SET) ALUMINUM STOREFRONT TO ACCEPT 1" GLASS	N/A	GL1	7
SF29	2.47	KAWNEER 451T - 2" X 4 1/2" (CENTER SET) ALUMINUM STOREFRONT TO ACCEPT 1" GLASS	N/A	GL1	4
SF30	2.47	KAWNEER 451T - 2" X 4 1/2" (CENTER SET) ALUMINUM STOREFRONT TO ACCEPT 1" GLASS	N/A	GL1	1
SF31	2.47	KAWNEER 451 - 2" X 4 1/2" ALUMINUM STOREFRONT (DOOR ONLY)	A116	GL1 T	1
W109	2.48	KAWNEER 1600 SYSTEM 1 - 2 1/2" X 7 1/2" ALUMINUM CURTAINWALL TO ACCEPT 1" GLASS	H100C H100D	GL1 GL1 T	1

FINISH:
CLEAR ANODIZED

DATE	06.19.21
DESCRIPTION	1ST REVISION (RA)
REV	2ND REVISION (ENGINEERING)
	3RD REVISION (MILET RESISTANT)
DRAWING SUBMISSION	

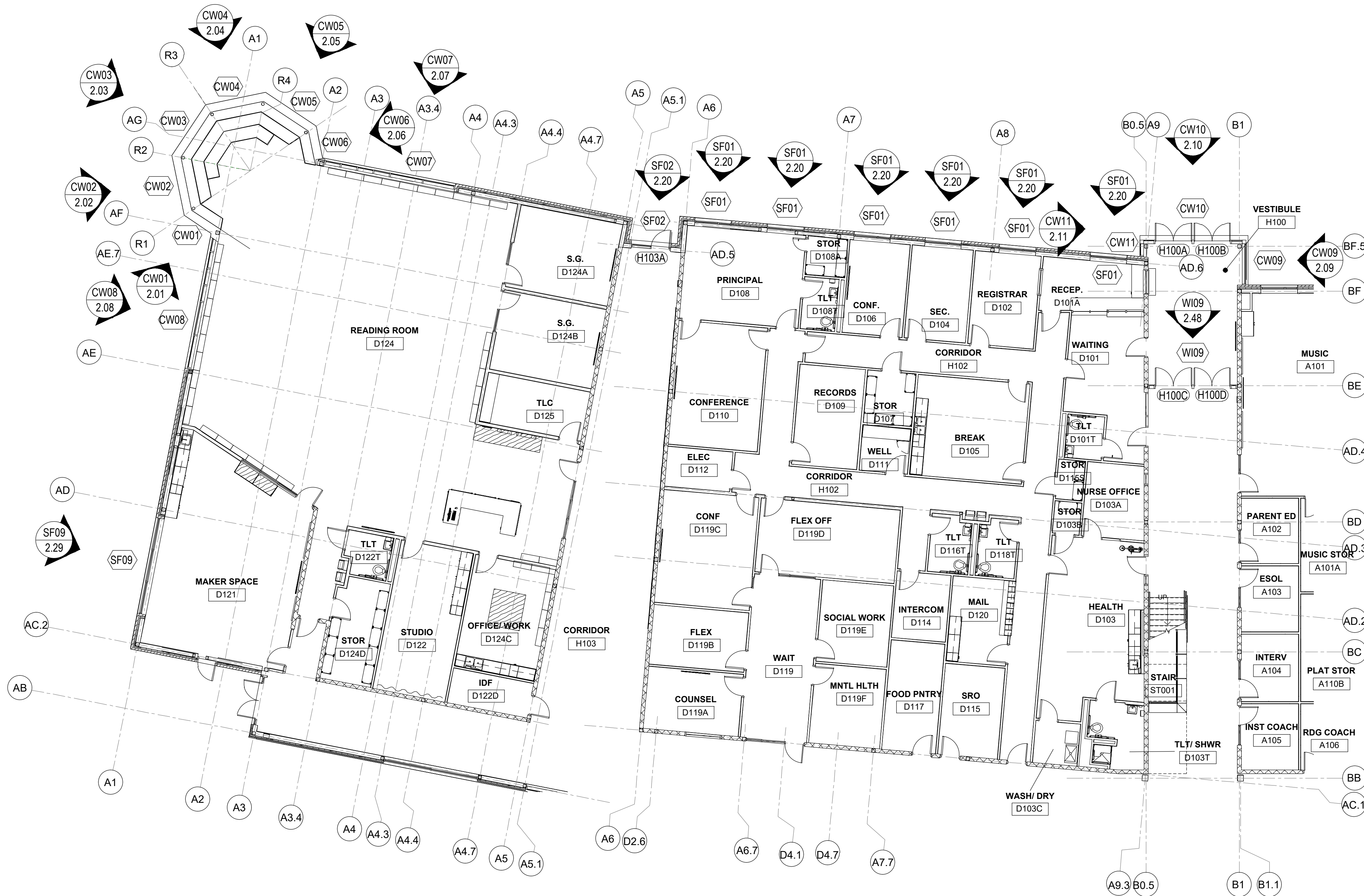
BETHEL HANBERRY ELEMENTARY SCHOOL
EXTERIOR SUBMITTAL
125 BONEY ROAD, BLYTHEWOOD, SC 29016

GRAHAM-HODGE ASSOCIATES INC.

JOB #
20-018

DRAWN BY:	DATE:
RA	04.23.21
CHECKED BY:	DATE:
EW	04.23.21

.03

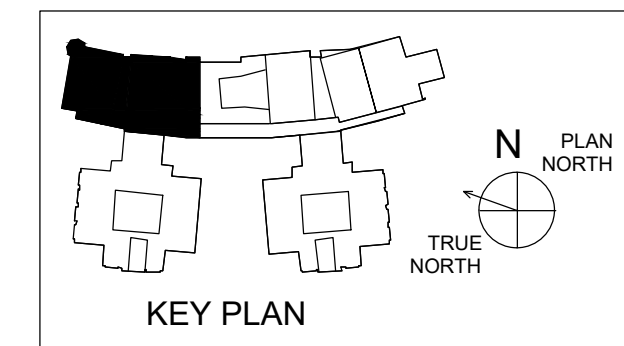


ARCH / G.C. NOTE:

FLOOR PLANS ARE PROVIDED FOR OPENING TYPE LOCATION ONLY. REFER TO SPECIFIC MARK ELEVATIONS FOR SIZE REFERENCE DIMENSIONING, MULLION SPACING, ETC.

FIRST FLOOR PLAN - AREA A

NTS ARCH. REF.: A101A



REV.	DESCRIPTION	DATE
1	1ST REVISION (RA)	06.19.21
2	2ND REVISION (ENGINEERING)	08.03.21
3	3RD REVISION (BULLET RESISTANT)	08.03.21

BETHEL HANBERRY ELEMENTARY SCHOOL
 EXTERIOR SUBMITTAL
 125 BONEY ROAD, BLYTHEWOOD, SC 29016

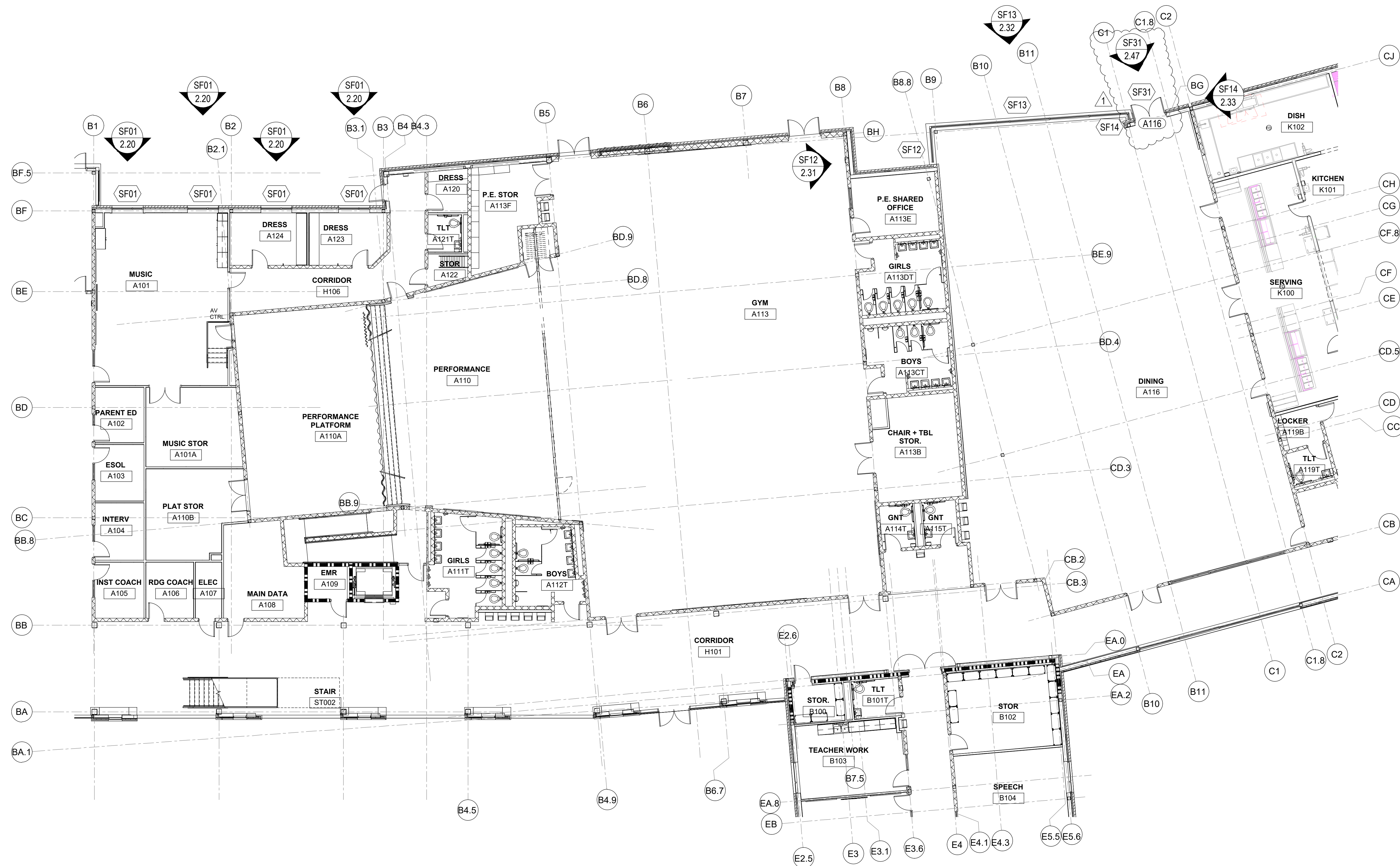


JOB # 20-018

DRAWN BY:	DATE:
RA	04.23.21
CHECKED BY:	DATE:
EW	04.23.21

1.01

DRAWING SUBMISSION



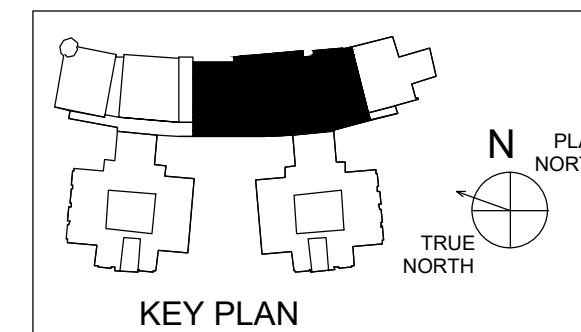
ARCH / G.C. NOTE:

FLOOR PLANS ARE PROVIDED FOR OPENING TYPE LOCATION ONLY. REFER TO SPECIFIC MARK ELEVATIONS FOR SIZE REFERENCE DIMENSIONING, MULLION SPACING, ETC.

FIRST FLOOR PLAN - AREA B

NTS

ARCH. REF.: A101B



REV	DESCRIPTION	DATE
1	1ST REVISION (RA)	06.19.21
2	2ND REVISION (ENGINEERING)	08.03.21
3	3RD REVISION (BULLET RESISTANT)	08.03.21

BETHEL HANBERRY ELEMENTARY SCHOOL
 EXTERIOR SUBMITTAL
 125 BONEY ROAD, BLYTHEWOOD, SC 29016



JOB #		20-018
DRAWN BY:	DATE:	04.23.21
CHECKED BY:	DATE:	04.23.21
EW		

1.02

DRAWING SUBMISSION

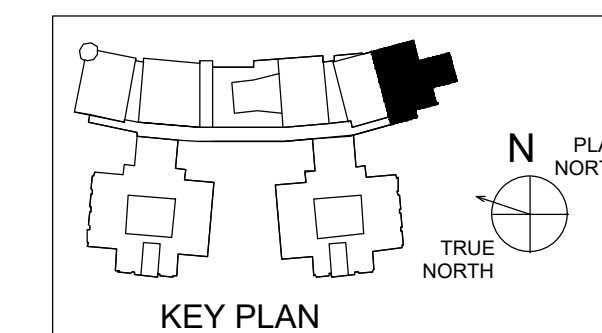
ARCH / G.C. NOTE:

FLOOR PLANS ARE PROVIDED FOR OPENING TYPE LOCATION ONLY. REFER TO SPECIFIC MARK ELEVATIONS FOR SIZE REFERENCE DIMENSIONING, MULLION SPACING, ETC.



FIRST FLOOR PLAN - AREA C

NTS ARCH. REF.: A101C



REV	DESCRIPTION	DATE
1	1ST REVISION (RA)	06.19.21
2	2ND REVISION (ENGINEERING)	08.08.21
3	3RD REVISION (BULLET RESISTANT)	08.03.21

BETHEL HANBERRY ELEMENTARY SCHOOL
 EXTERIOR SUBMITTAL
 125 BONEY ROAD, BLYTHEWOOD, SC 29016

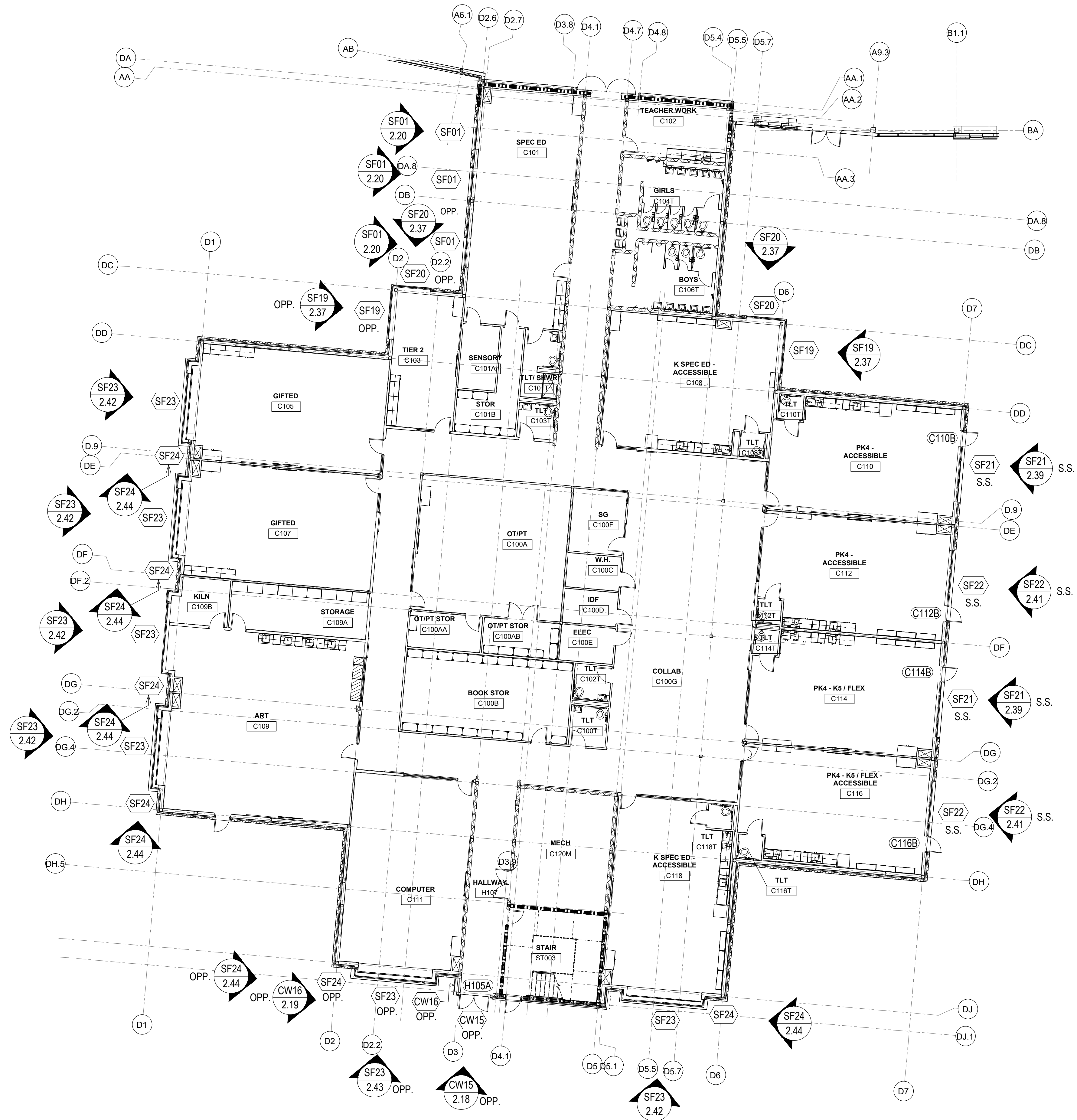


JOB # 20-018

DRAWN BY:	DATE:
RA	04.23.21
CHECKED BY:	DATE:
EW	04.23.21

1.03

DRAWING SUBMISSION

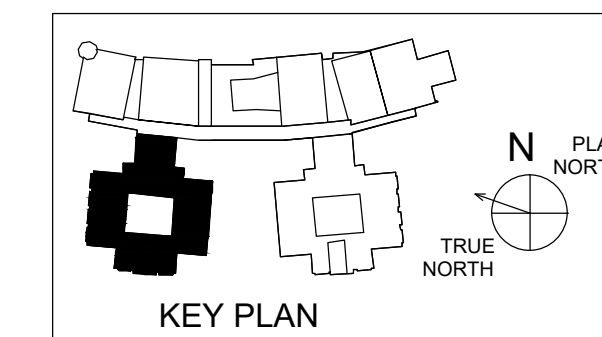


ARCH / G.C. NOTE:

FLOOR PLANS ARE PROVIDED FOR OPENING TYPE LOCATION ONLY. REFER TO SPECIFIC MARK ELEVATIONS FOR SIZE REFERENCE DIMENSIONING, MULLION SPACING, ETC.

FIRST FLOOR PLAN - AREA D

NTS ARCH. REF.: A101D



REV.	DESCRIPTION	DATE
1	1ST REVISION (RA)	06.19.21
2	2ND REVISION (ENGINEERING)	08.02.21
3	3RD REVISION (BULLET RESISTANT)	08.03.21

BETHEL HANBERRY ELEMENTARY SCHOOL
EXTERIOR SUBMITTAL
 125 BONEY ROAD, BLYTHEWOOD, SC 29016

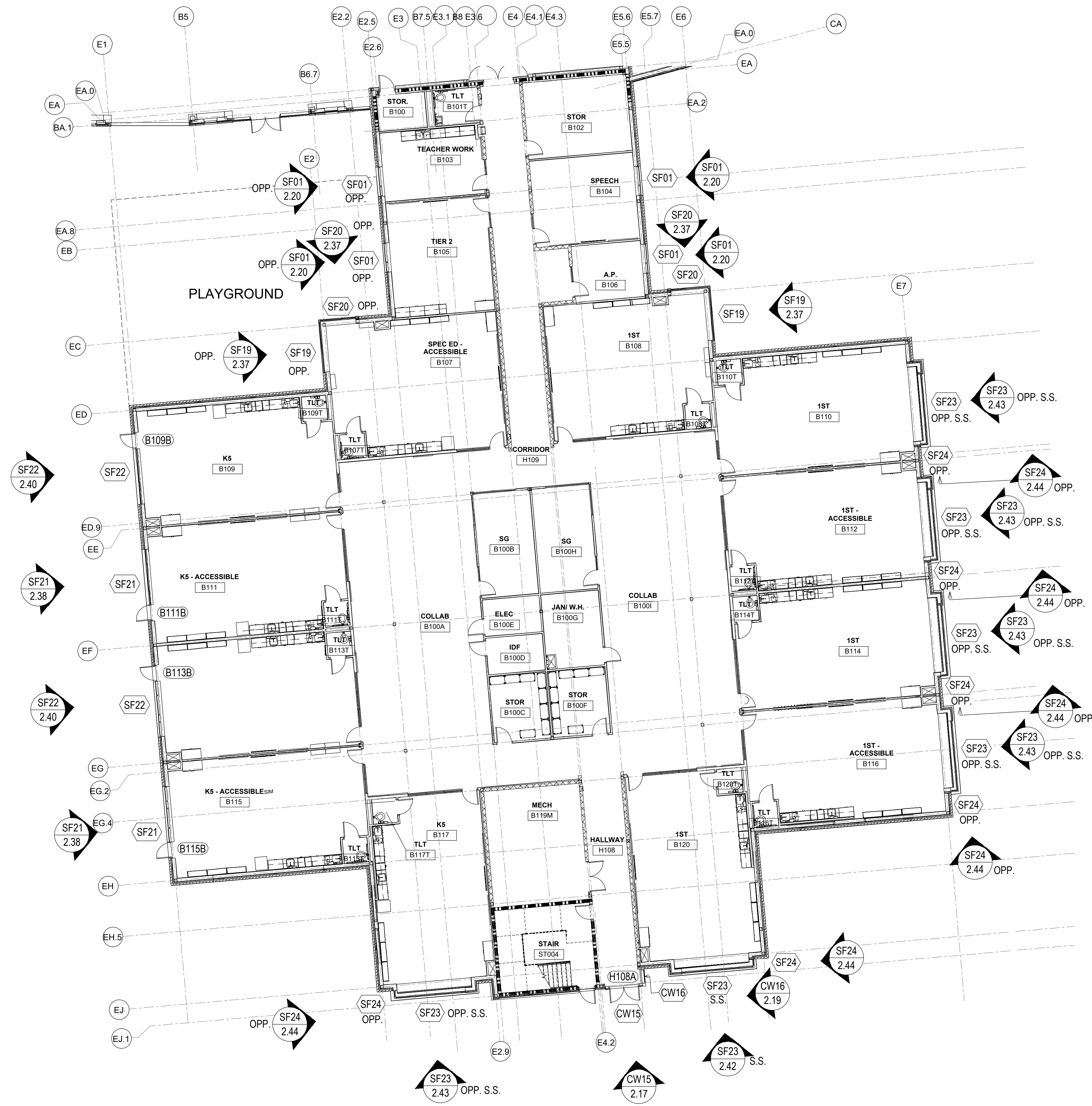
GRAHAM-HODGE ASSOCIATES INC.

JOB # 20-018

DRAWN BY:	DATE:
RA	04.23.21
CHECKED BY:	DATE:
EW	04.23.21

1.04

DRAWING SUBMISSION



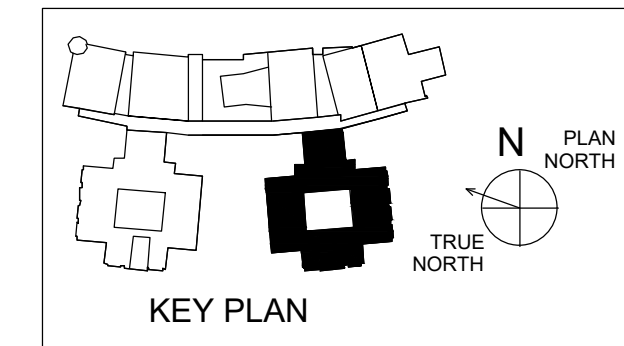
ARCH / G.C. NOTE:

FLOOR PLANS ARE PROVIDED FOR OPENING TYPE LOCATION ONLY. REFER TO SPECIFIC MARK ELEVATIONS FOR SIZE REFERENCE DIMENSIONING, MULLION SPACING, ETC.

FIRST FLOOR PLAN - AREA E

NTS

ARCH. REF.: A101E



REV.	DESCRIPTION	DATE
1	1ST REVISION (RA)	06.19.21
2	2ND REVISION (ENGINEERING)	08.02.21
3	3RD REVISION (BULLET RESISTANT)	08.03.21

BETHEL HANBERRY ELEMENTARY SCHOOL
 EXTERIOR SUBMITTAL
 125 BONEY ROAD, BLYTHEWOOD, SC 29016



JOB # 20-018

DRAWN BY:	DATE:
RA	04.23.21
CHECKED BY:	DATE:
EW	04.23.21

1.05

DRAWING SUBMISSION

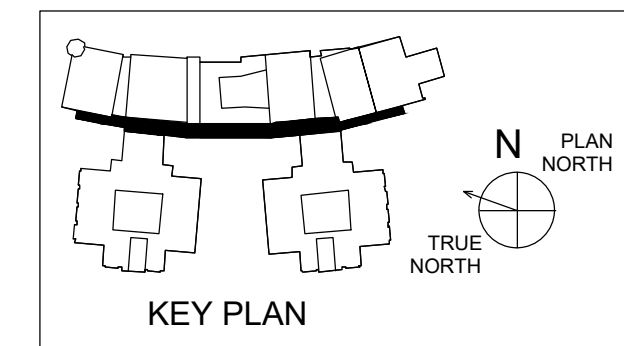
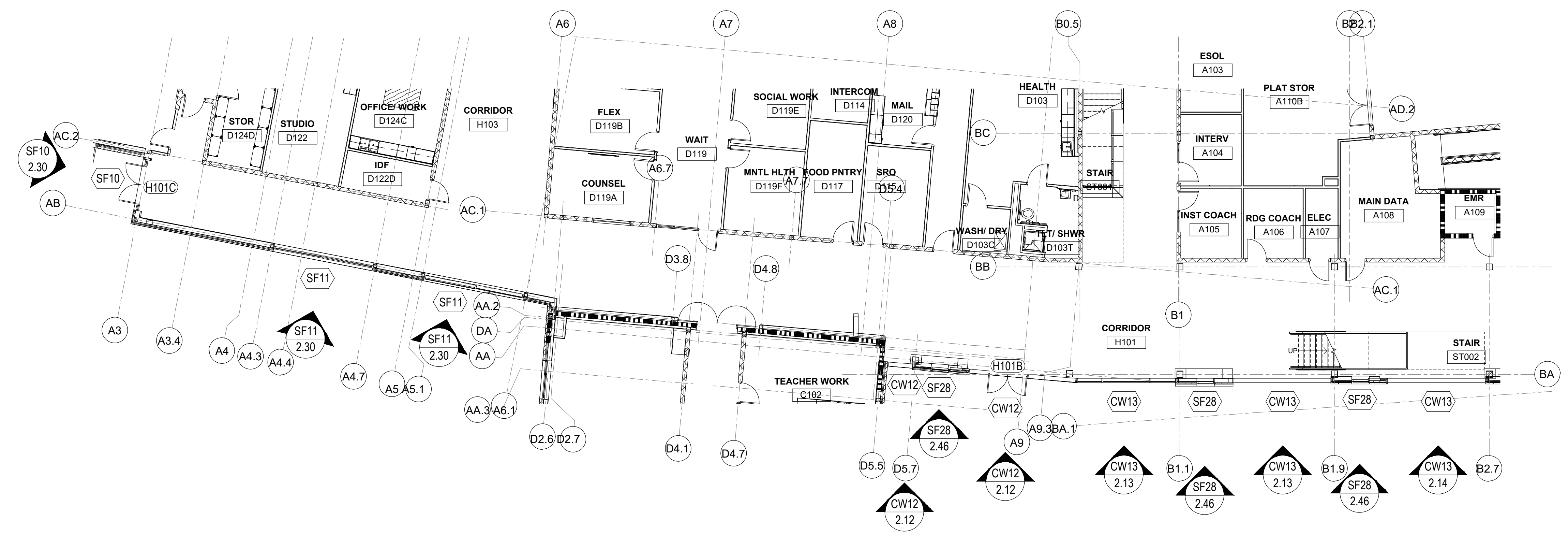
REV.	DESCRIPTION	DATE
1	1ST REVISION (RA)	06.19.21
2	2ND REVISION (ENGINEERING)	08.02.21
3	3RD REVISION (BULLET RESISTANT)	08.02.21

BETHEL HANBERRY ELEMENTARY SCHOOL
EXTERIOR SUBMITTAL
 125 BONEY ROAD, BLYTHEWOOD, SC 29016



JOB #		20-018
DRAWN BY:	DATE:	04.23.21
CHECKED BY:	DATE:	04.23.21
EW		

1.06



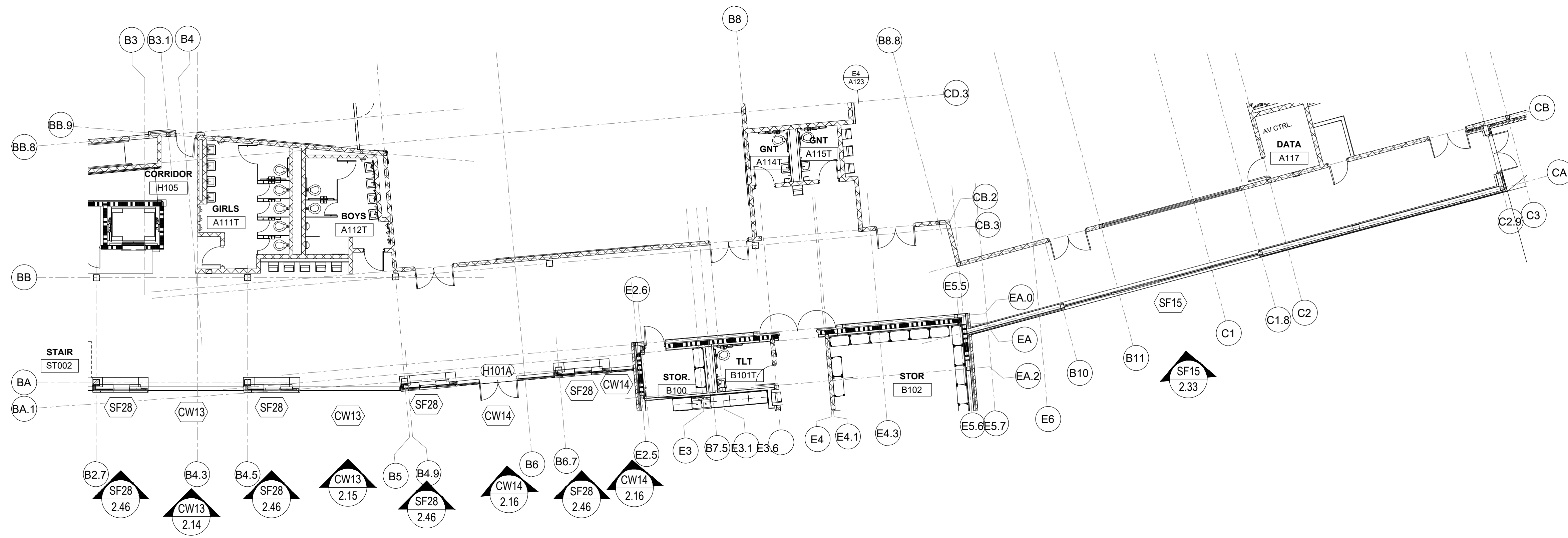
ARCH / G.C. NOTE:

FLOOR PLANS ARE PROVIDED FOR OPENING TYPE LOCATION ONLY. REFER TO SPECIFIC MARK ELEVATIONS FOR SIZE REFERENCE DIMENSIONING, MULLION SPACING, ETC.

FIRST FLOOR PLAN - MAIN STREET - AREA A

NTS ARCH. REF.: A101F

DRAWING SUBMISSION



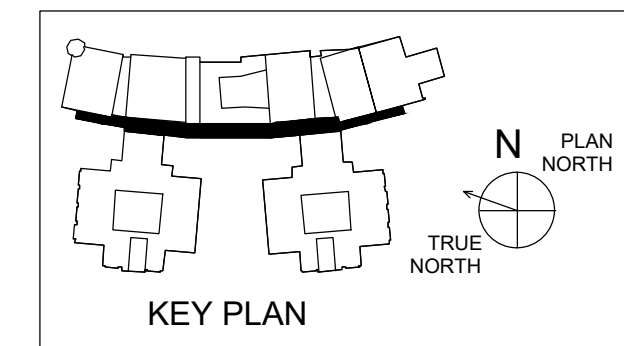
ARCH / G.C. NOTE:

FLOOR PLANS ARE PROVIDED FOR OPENING TYPE LOCATION ONLY. REFER TO SPECIFIC MARK ELEVATIONS FOR SIZE REFERENCE DIMENSIONING, MULLION SPACING, ETC.

FIRST FLOOR PLAN - MAIN STREET - AREA B

NTS

ARCH. REF.: A101F



REV.	DESCRIPTION	DATE
1	1ST REVISION (RA)	06.19.21
2	2ND REVISION (ENGINEERING)	08.02.21
3	3RD REVISION (BULLET RESISTANT)	08.03.21

BETHEL HANBERRY ELEMENTARY SCHOOL
 EXTERIOR SUBMITTAL
 125 BONEY ROAD, BLYTHEWOOD, SC 29016

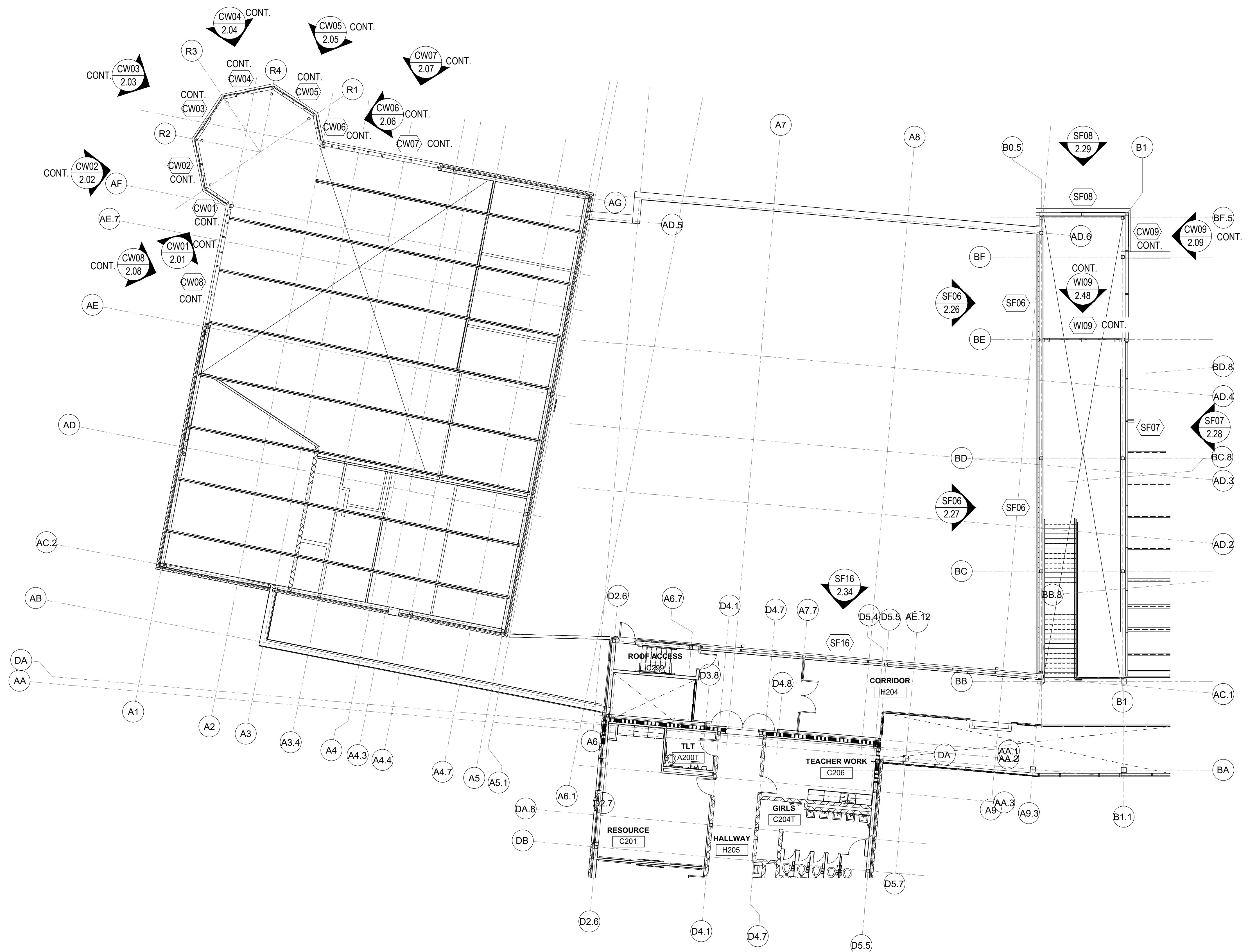


JOB # 20-018

DRAWN BY:	DATE:
RA	04.23.21
CHECKED BY:	DATE:
EW	04.23.21

1.07

DRAWING SUBMISSION

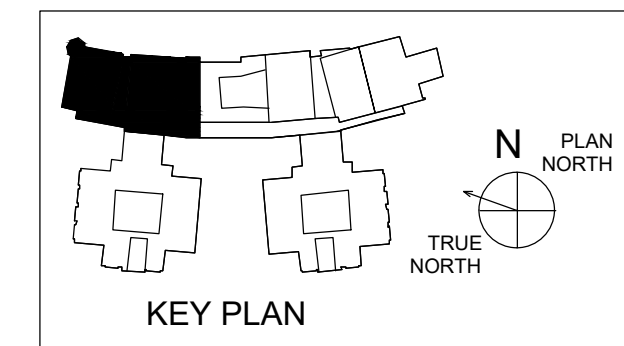


ARCH / G.C. NOTE:

FLOOR PLANS ARE PROVIDED FOR OPENING TYPE LOCATION ONLY. REFER TO SPECIFIC MARK ELEVATIONS FOR SIZE REFERENCE DIMENSIONING, MULLION SPACING, ETC.

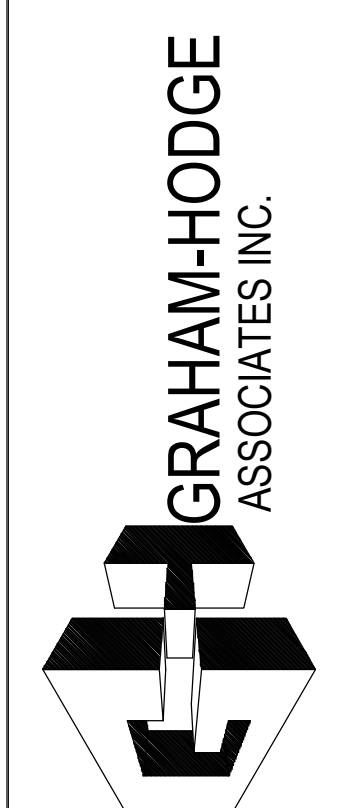
SECOND FLOOR PLAN - AREA A

NTS ARCH. REF.: A102A



REV.	DESCRIPTION	DATE
1	1ST REVISION (RA)	06.19.21
2	2ND REVISION (ENGINEERING)	08.03.21
3	3RD REVISION (BULLET REVISION)	08.03.21

BETHEL HANBERRY ELEMENTARY SCHOOL
 EXTERIOR SUBMITTAL
 125 BONEY ROAD, BLYTHEWOOD, SC 29016



JOB # 20-018

DRAWN BY:	DATE:
RA	04.23.21
CHECKED BY:	DATE:
EW	04.23.21

1.08

DRAWING SUBMISSION

REV.	DESCRIPTION	DATE
1	1ST REVISION (RA)	06.19.21
2	2ND REVISION (ENGINEERING)	08.03.21
3	3RD REVISION (BULLET RESISTANT)	08.03.21

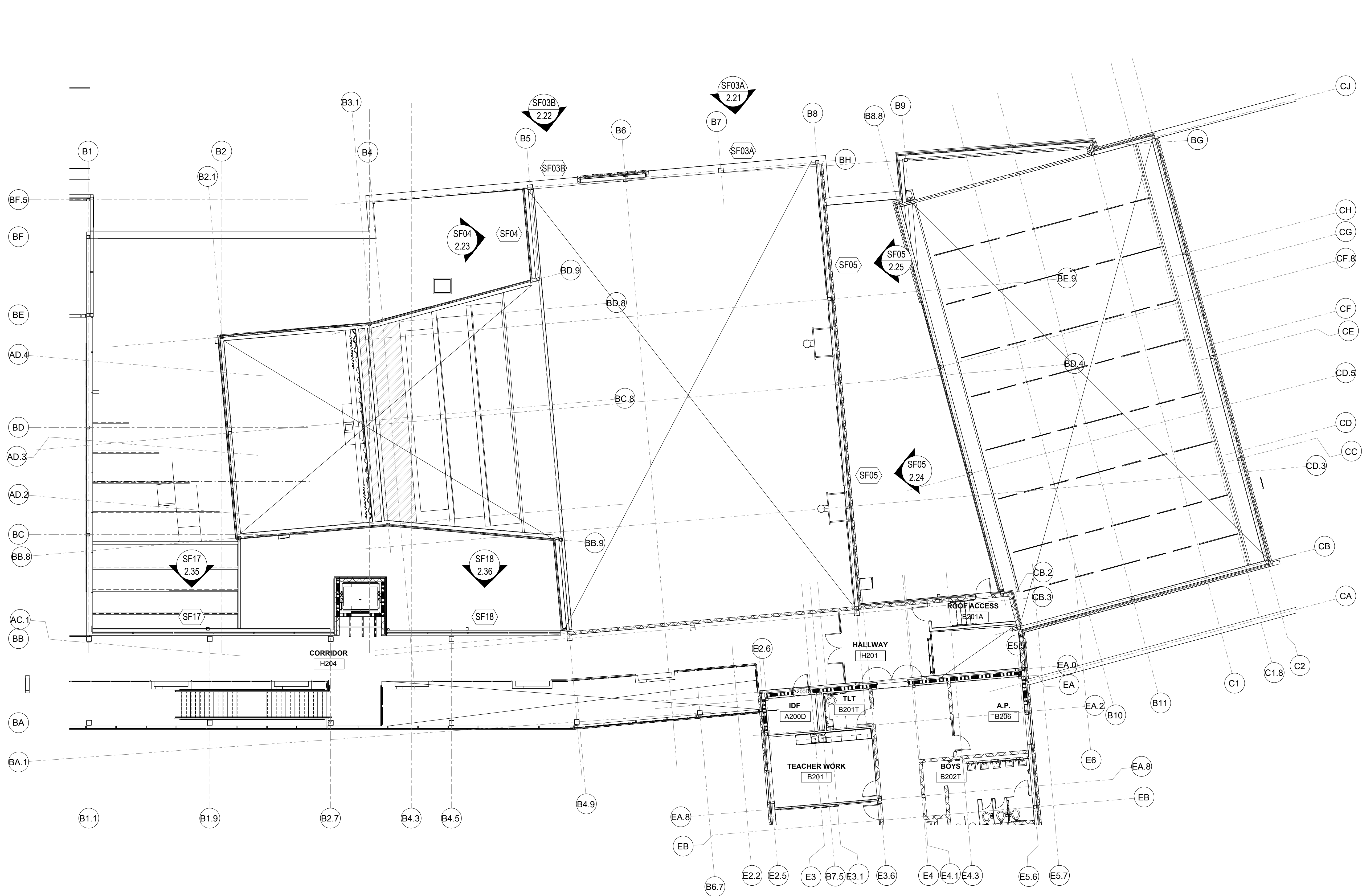
BETHEL HANBERRY ELEMENTARY SCHOOL
EXTERIOR SUBMITTAL
 125 BONEY ROAD, BLYTHEWOOD, SC 29016



JOB #		20-018
DRAWN BY:	DATE:	04.23.21
CHECKED BY:	DATE:	04.23.21
EW		

1.09

DRAWING SUBMISSION

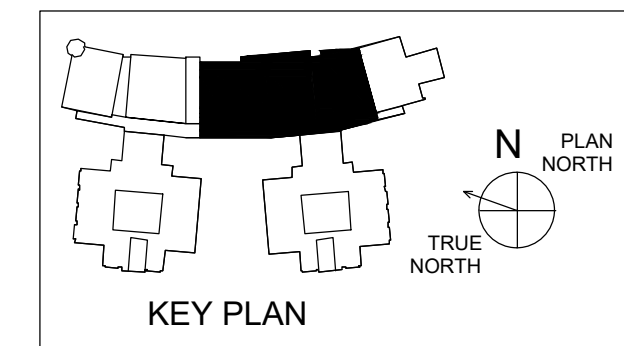


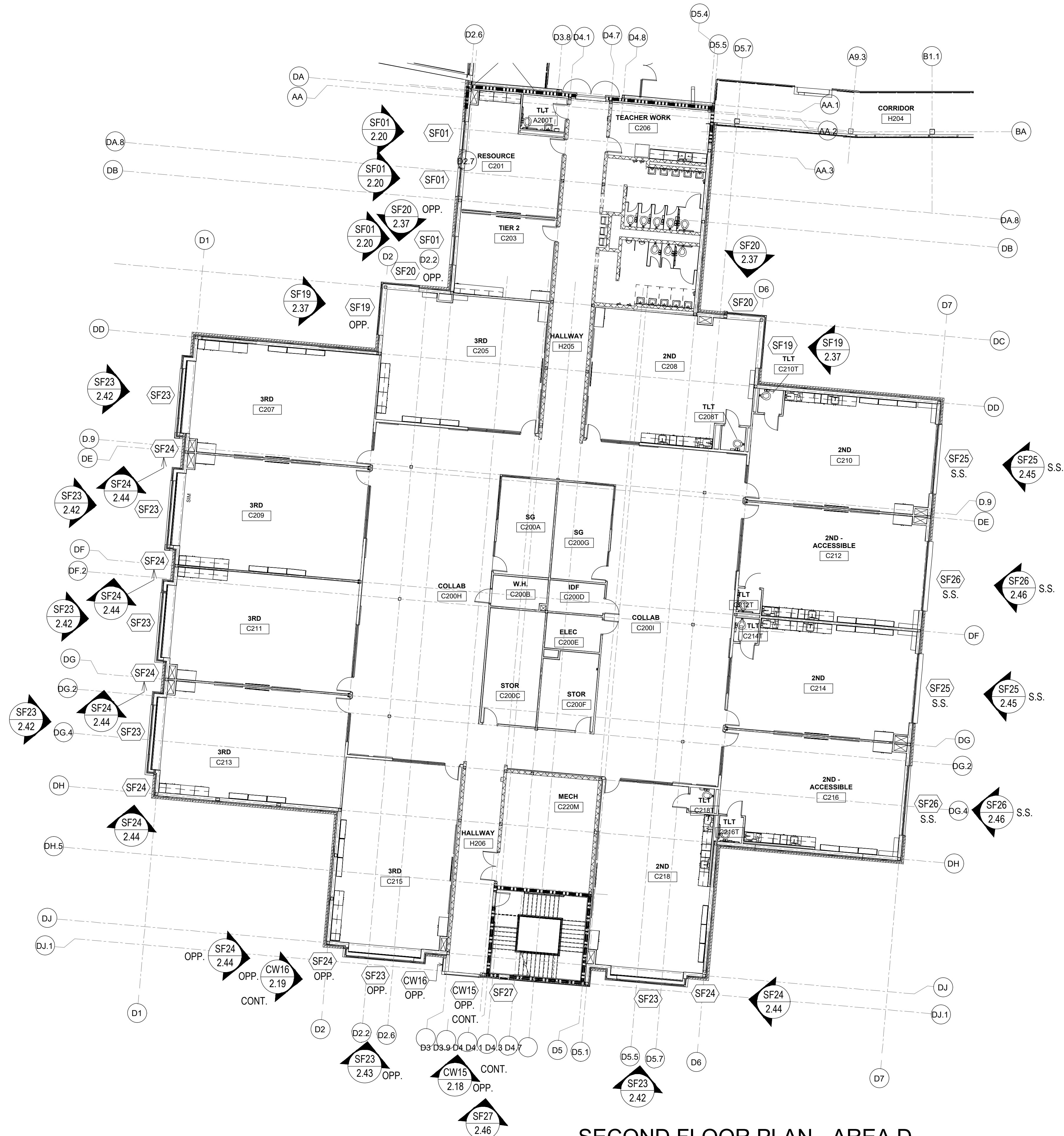
ARCH / G.C. NOTE:

FLOOR PLANS ARE PROVIDED FOR OPENING TYPE LOCATION ONLY. REFER TO SPECIFIC MARK ELEVATIONS FOR SIZE REFERENCE DIMENSIONING, MULLION SPACING, ETC.

SECOND FLOOR PLAN - AREA B

NTS ARCH. REF.: A102B





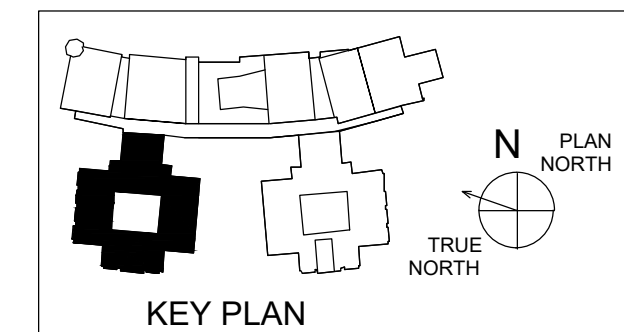
ARCH / G.C. NOTE:

FLOOR PLANS ARE PROVIDED FOR OPENING TYPE LOCATION ONLY. REFER TO SPECIFIC MARK ELEVATIONS FOR SIZE REFERENCE DIMENSIONING, MULLION SPACING, ETC.

SECOND FLOOR PLAN - AREA D

NTS

ARCH. REF.: A102D



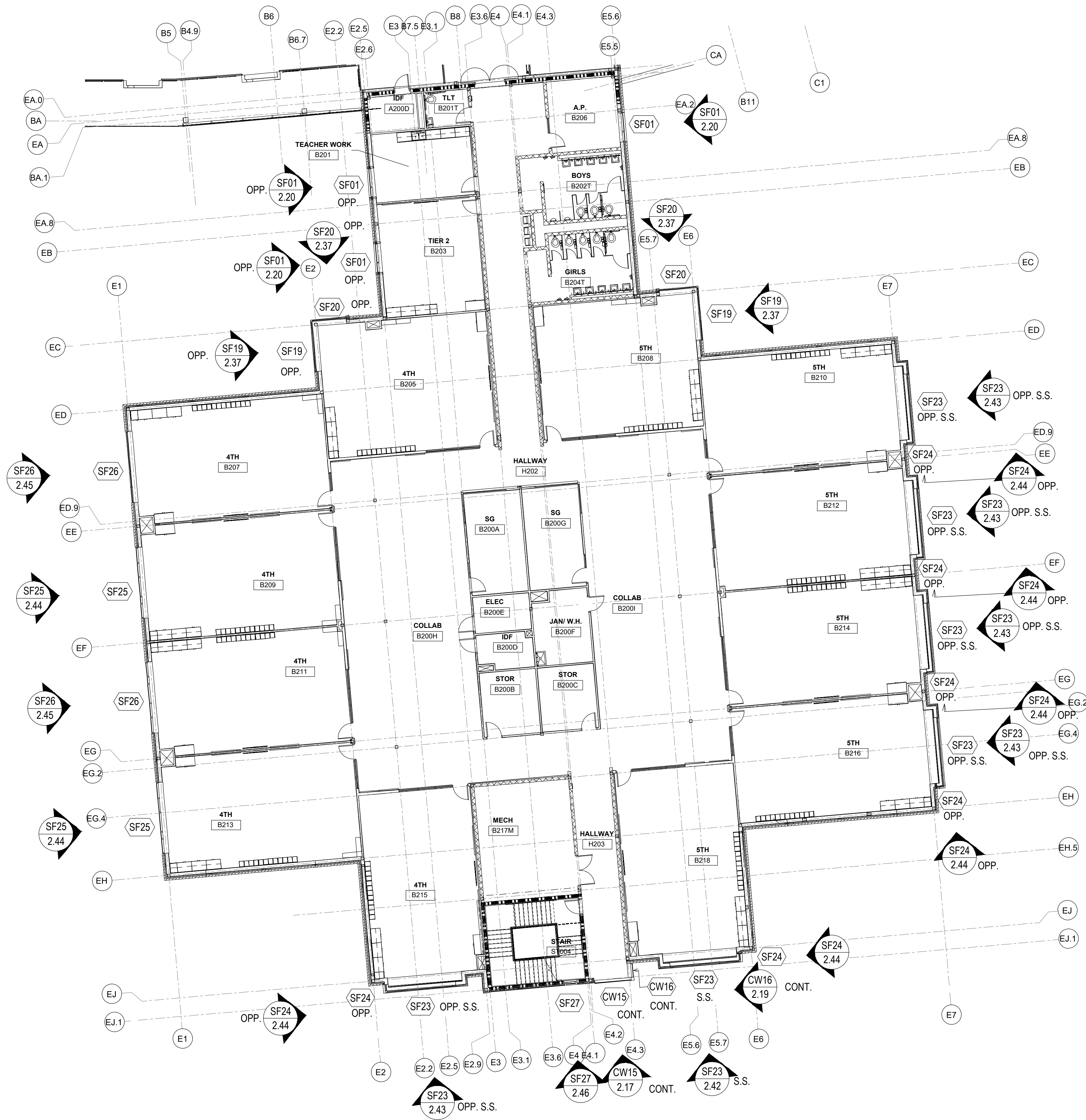
REV.	DESCRIPTION	DATE
1	1ST REVISION (RA)	06.19.21
2	2ND REVISION (ENGINEERING)	08.03.21
3	3RD REVISION (BULLET RESISTANT)	08.03.21

BETHEL HANBERRY ELEMENTARY SCHOOL
EXTERIOR SUBMITTAL
 125 BONEY ROAD, BLYTHEWOOD, SC 29016



JOB # 20-018

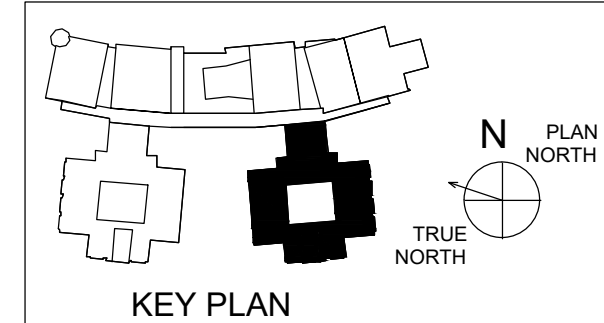
DRAWN BY:	DATE:
RA	04.23.21
CHECKED BY:	DATE:
EW	04.23.21



ARCH / G.C. NOTE:

FLOOR PLANS ARE PROVIDED FOR OPENING TYPE LOCATION ONLY. REFER TO SPECIFIC MARK ELEVATIONS FOR SIZE REFERENCE DIMENSIONING, MULLION SPACING, ETC.

SECOND FLOOR PLAN - AREA E
 NTS ARCH. REF.: A102E



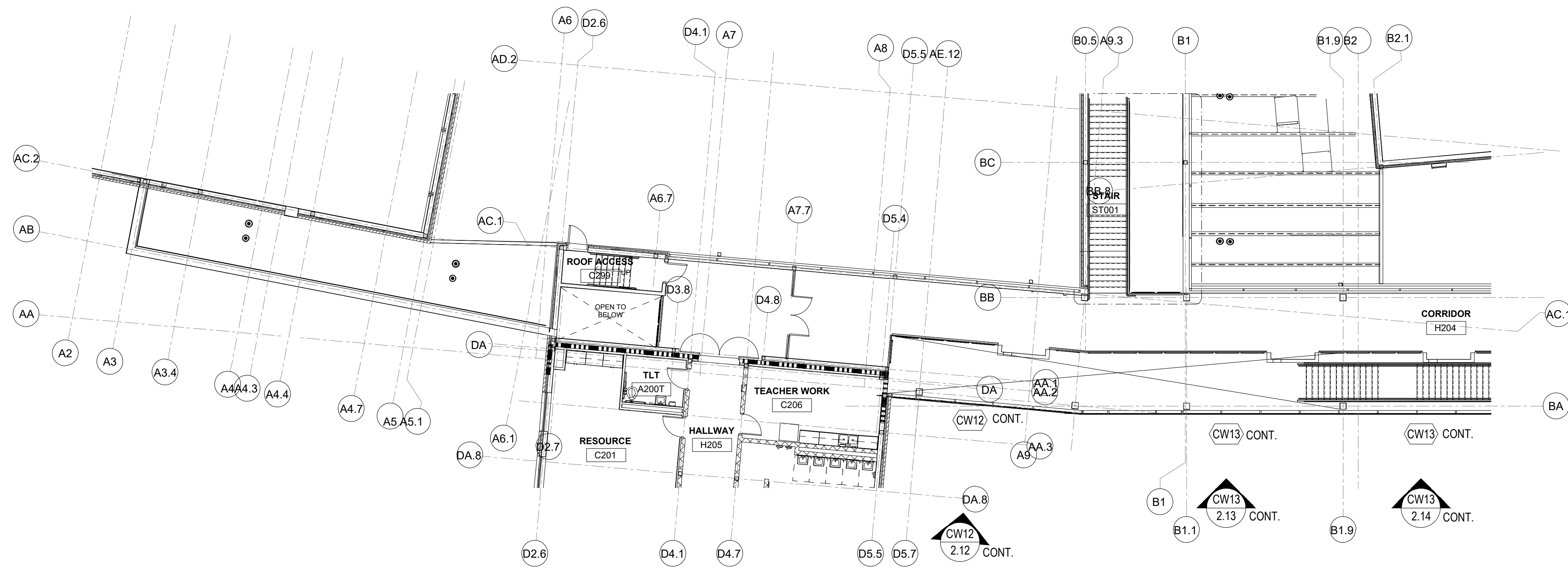
REV.	DESCRIPTION	DATE
1	1ST REVISION (RA)	06.19.21
2	2ND REVISION (ENGINEERING)	08.03.21
3	3RD REVISION (BULLET RESISTANT)	08.03.21

BETHEL HANBERRY ELEMENTARY SCHOOL
 EXTERIOR SUBMITTAL
 125 BONEY ROAD, BLYTHEWOOD, SC 29016



JOB #		20-018
DRAWN BY:	DATE:	04.23.21
CHECKED BY:	DATE:	04.23.21
EW		

DRAWING SUBMISSION



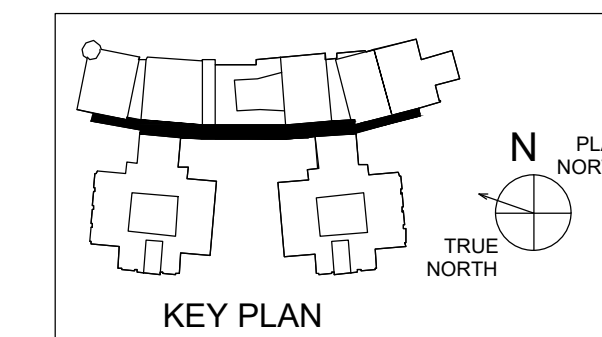
ARCH / G.C. NOTE:

FLOOR PLANS ARE PROVIDED FOR OPENING TYPE LOCATION ONLY. REFER TO SPECIFIC MARK ELEVATIONS FOR SIZE REFERENCE DIMENSIONING, MULLION SPACING, ETC.

SECOND FLOOR PLAN - MAIN STREET - AREA A

NTS

ARCH. REF.: A102F



REV.	DESCRIPTION	DATE
1	1ST REVISION (RA)	06.19.21
2	2ND REVISION (ENGINEERING)	08.08.21
3	3RD REVISION (BULLET RESISTANT)	08.03.21

BETHEL HANBERRY ELEMENTARY SCHOOL
EXTERIOR SUBMITTAL
 125 BONEY ROAD, BLYTHEWOOD, SC 29016

GRAHAM-HODGE ASSOCIATES INC.

JOB #
20-018

DRAWN BY:	DATE:
RA	04.23.21
CHECKED BY:	DATE:
EW	04.23.21

1.12

DRAWING SUBMISSION

REV.	DESCRIPTION	DATE
1	1ST REVISION (RA)	06.19.21
2	2ND REVISION (ENGINEERING)	08.02.21
3	3RD REVISION (BULLET RESISTANT)	08.02.21

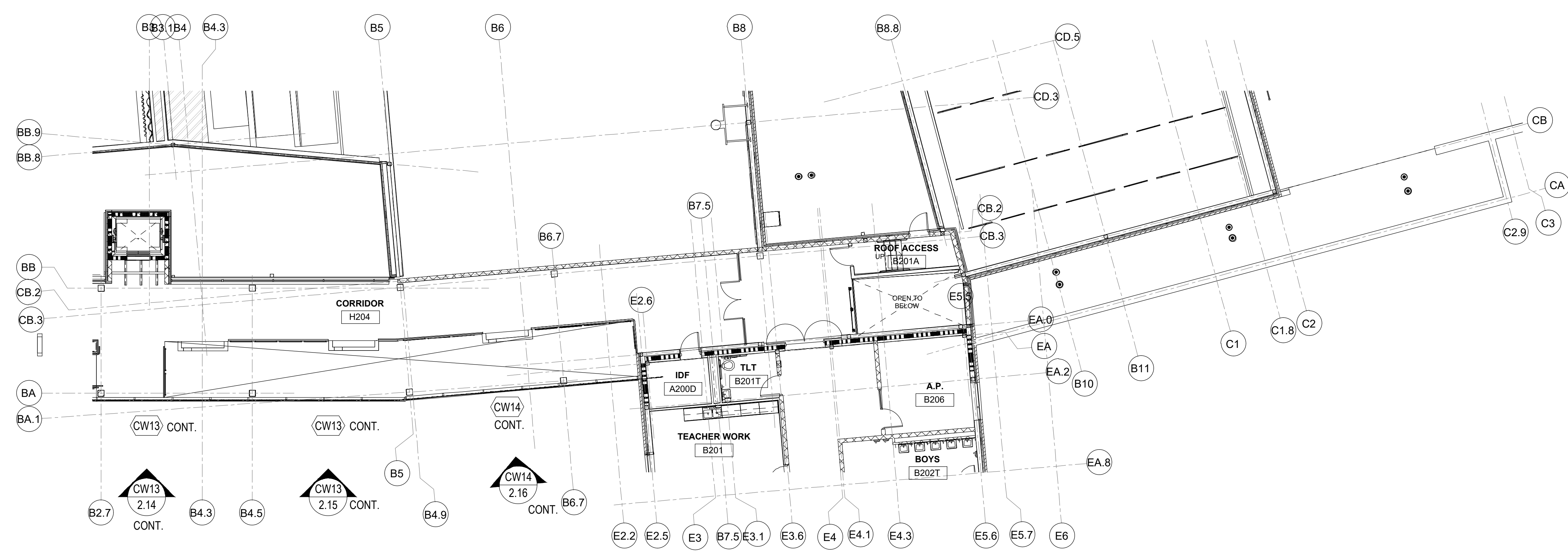
BETHEL HANBERRY ELEMENTARY SCHOOL
EXTERIOR SUBMITTAL
 125 BONEY ROAD, BLYTHEWOOD, SC 29016

GRAHAM-HODGE ASSOCIATES INC.

JOB # 20-018

DATE: 04.23.21
 DRAWN BY: RA
 CHECKED BY: EW

1.13

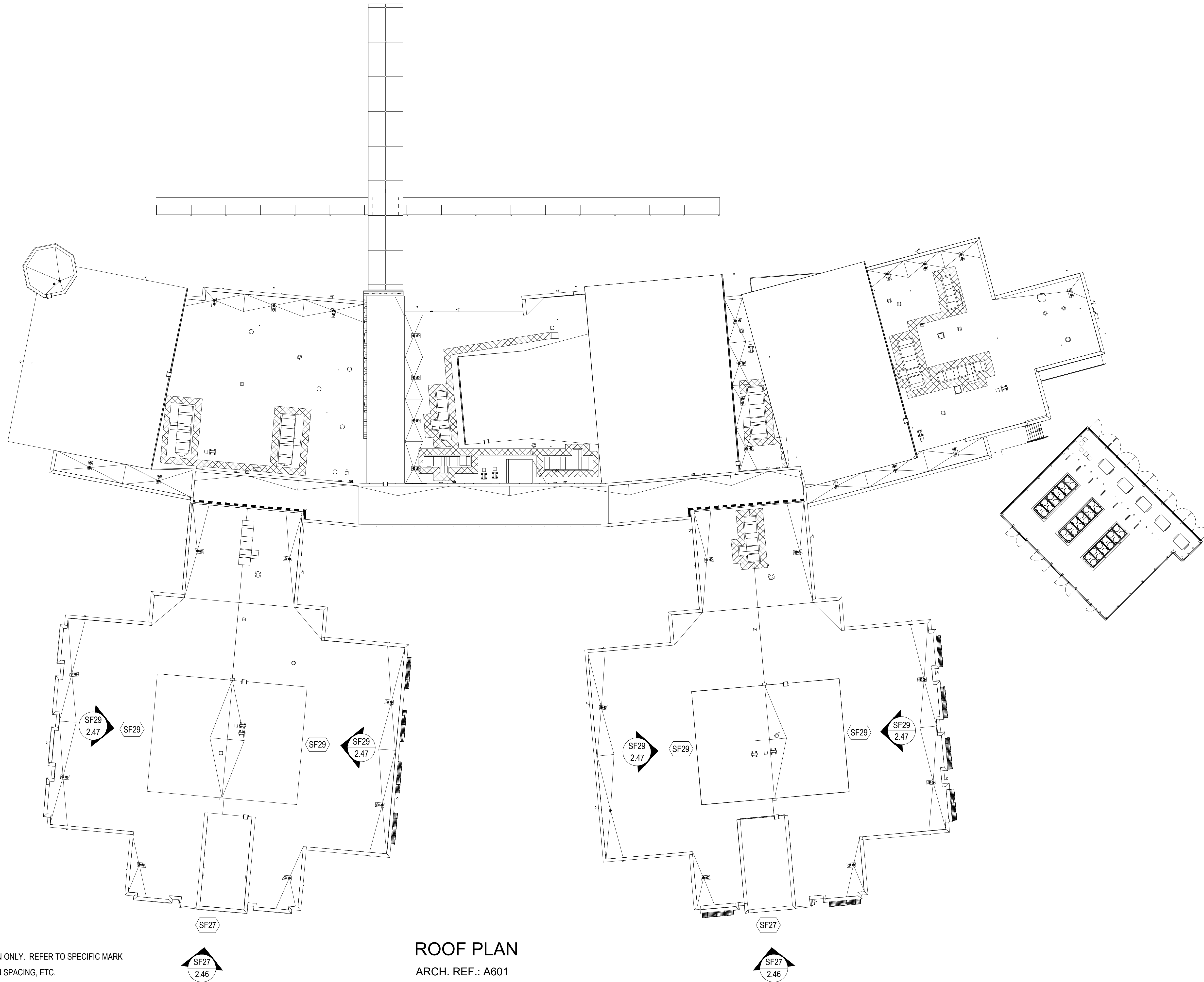


ARCH / G.C. NOTE:

FLOOR PLANS ARE PROVIDED FOR OPENING TYPE LOCATION ONLY. REFER TO SPECIFIC MARK ELEVATIONS FOR SIZE REFERENCE DIMENSIONING, MULLION SPACING, ETC.

SECOND FLOOR PLAN - MAIN STREET - AREA B

NTS ARCH. REF.: A102F



ARCH / G.C. NOTE:

FLOOR PLANS ARE PROVIDED FOR OPENING TYPE LOCATION ONLY. REFER TO SPECIFIC MARK ELEVATIONS FOR SIZE REFERENCE DIMENSIONING, MULLION SPACING, ETC.

ROOF PLAN

ARCH. REF.: A601

REV.	DESCRIPTION	DATE
1	1ST REVISION (RA)	06.19.21
2	2ND REVISION (ENGINEERING)	08.08.21
3	3RD REVISION (BULLET RESISTANT)	08.03.21

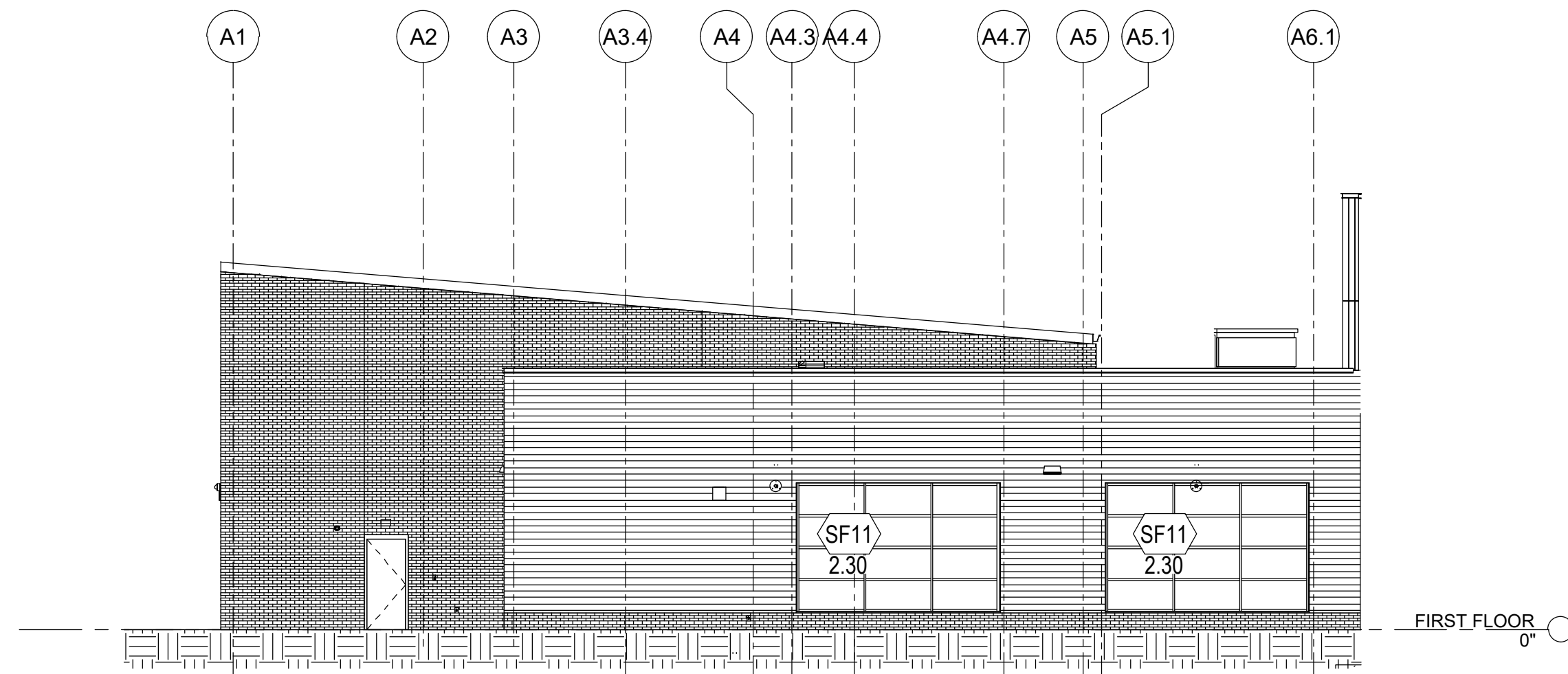
BETHEL HANBERRY ELEMENTARY SCHOOL
 EXTERIOR SUBMITTAL
 125 BONEY ROAD, BLYTHEWOOD, SC 29016

GRAHAM-HODGE ASSOCIATES INC.

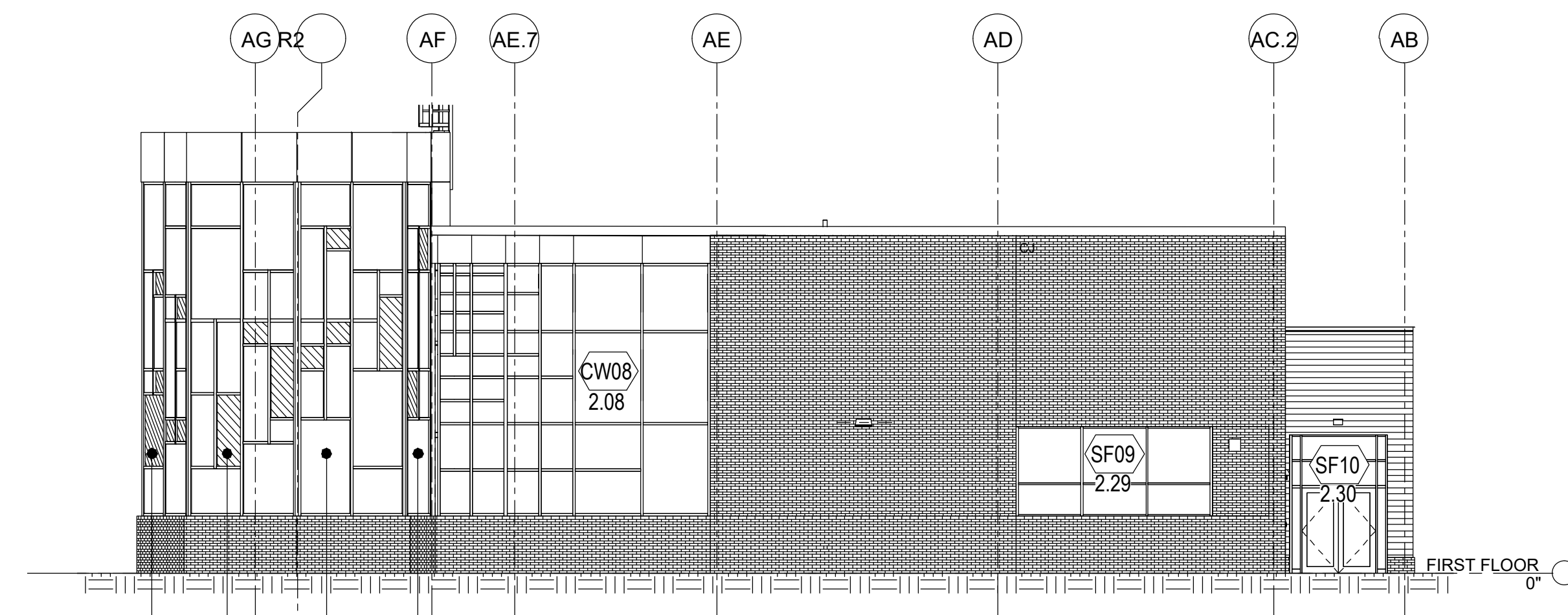
JOB #
20-018

DRAWN BY:	DATE:
RA	04.23.21
CHECKED BY:	DATE:
EW	04.23.21

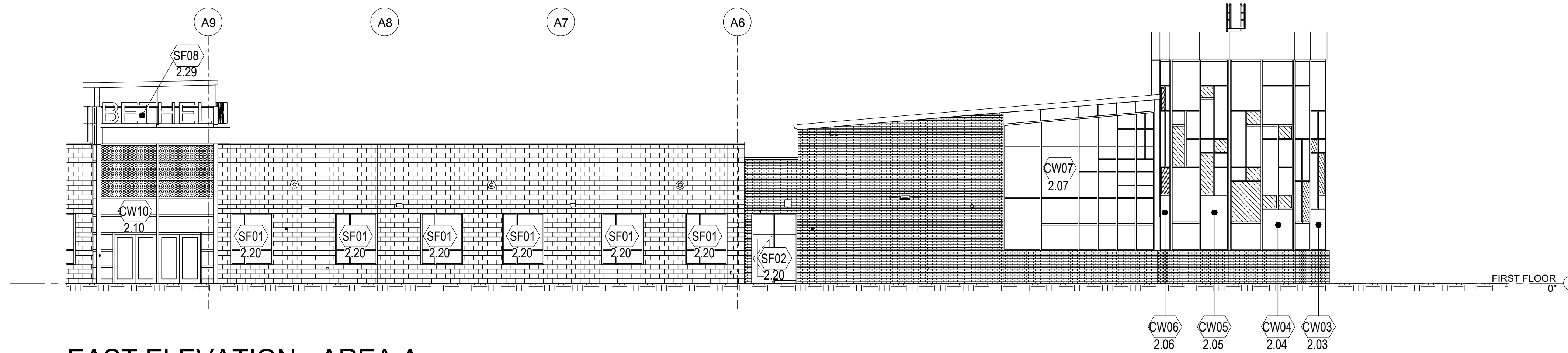
DRAWING SUBMISSION



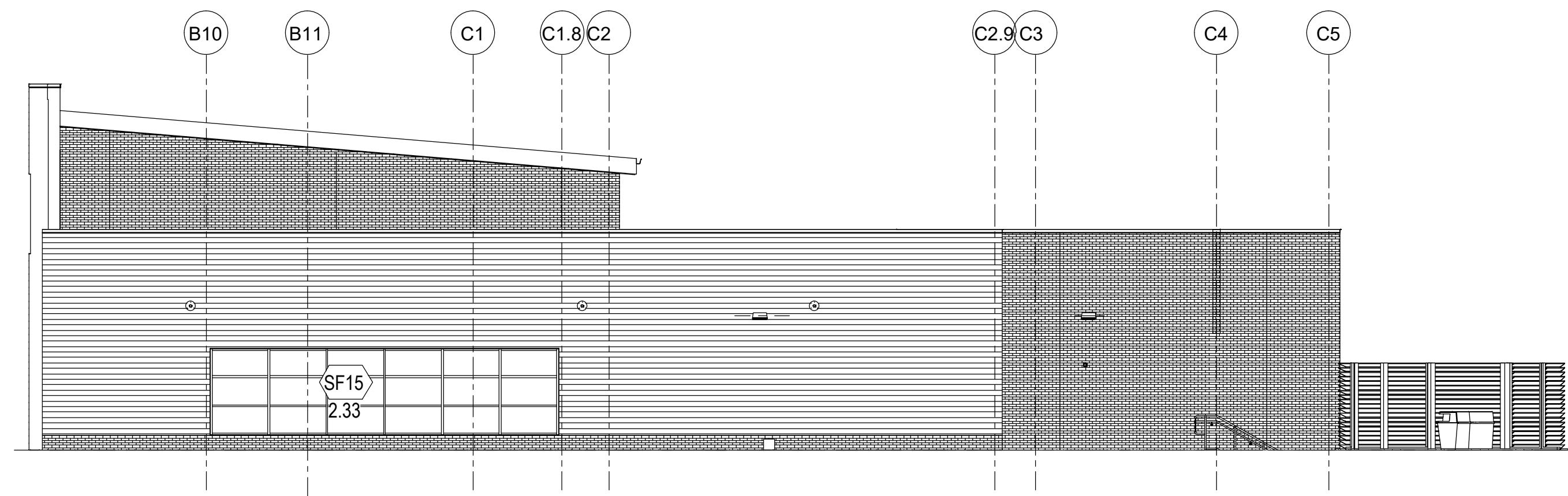
WEST ELEVATION - AREA A
NTS ARCH. REF.: D4/A301A



NORTH ELEVATION - AREA A
NTS ARCH. REF.: B4/A301A



EAST ELEVATION - AREA A
NTS ARCH. REF.: A6/A301A



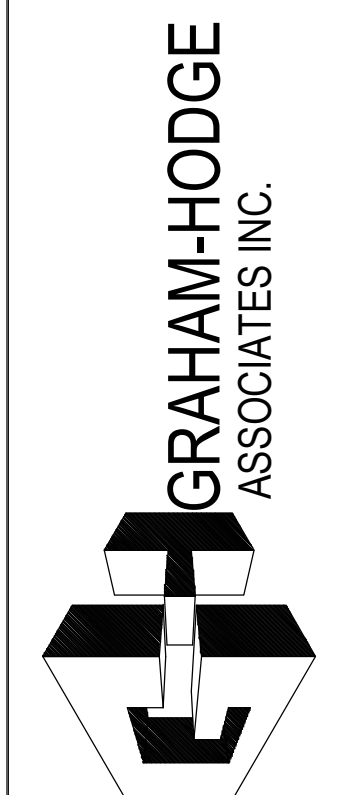
WEST ELEVATION - AREA C
NTS ARCH. REF.: E7/A301BC

ARCH / G.C. NOTE:

FLOOR PLANS ARE PROVIDED FOR OPENING TYPE LOCATION ONLY. REFER TO SPECIFIC MARK ELEVATIONS FOR SIZE REFERENCE DIMENSIONING, MULLION SPACING, ETC.

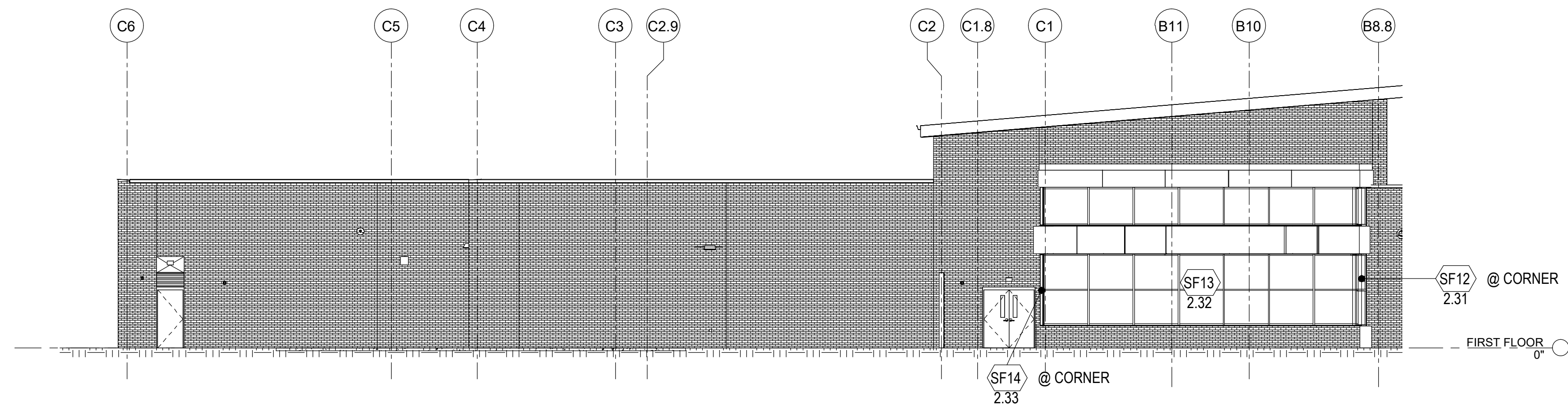
REV.	DESCRIPTION	DATE
1	1ST REVISION (RA)	06.19.21
2	2ND REVISION (ENGINEERING)	08.02.21
3	3RD REVISION (BULLET RESISTANT)	08.03.21

BETHEL HANBERRY ELEMENTARY SCHOOL
EXTERIOR SUBMITTAL
125 BONEY ROAD, BLYTHEWOOD, SC 29016

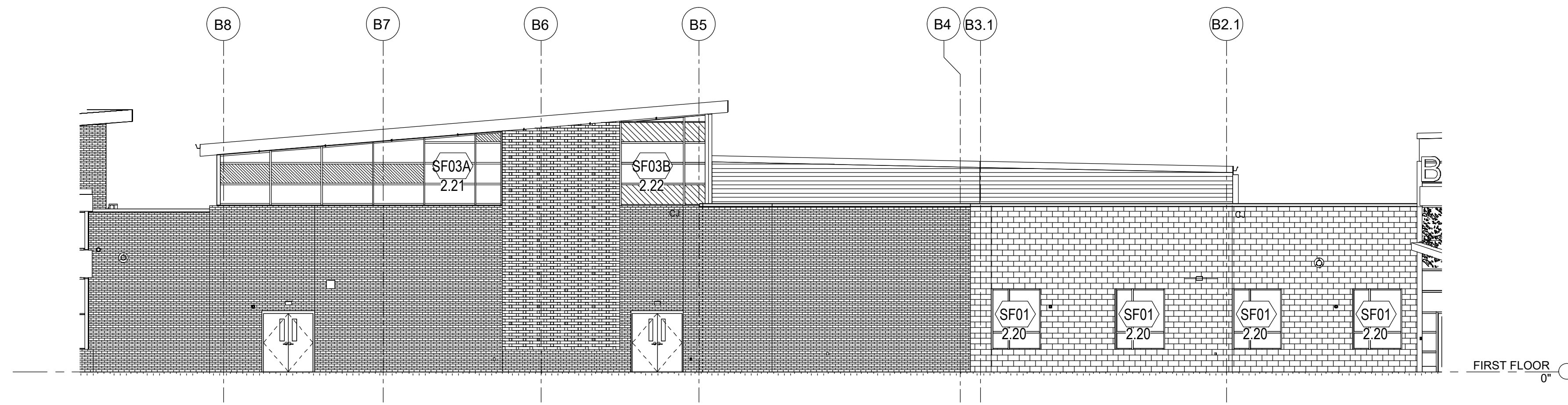


JOB #
20-018

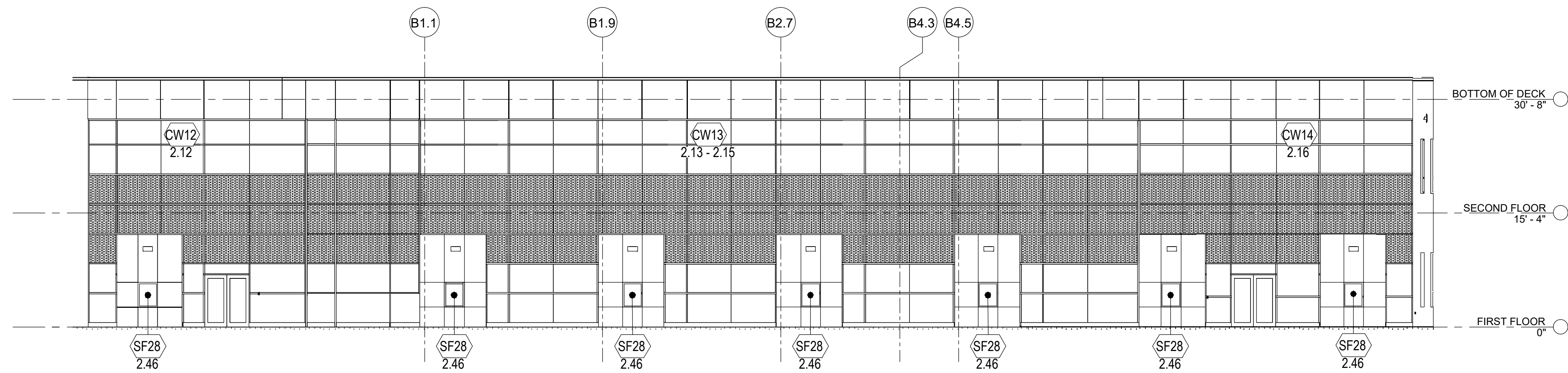
DRAWN BY:	DATE:
RA	04.23.21
CHECKED BY:	DATE:
EW	04.23.21



EAST ELEVATION - AREA C
 NTS ARCH. REF.: D3/A301BC



EAST ELEVATION - AREA B
 NTS ARCH. REF.: B5/A301BC



WEST ELEVATION - AREA B
 NTS ARCH. REF.: A5/A301BC

ARCH / G.C. NOTE:

FLOOR PLANS ARE PROVIDED FOR OPENING TYPE LOCATION ONLY. REFER TO SPECIFIC MARK ELEVATIONS FOR SIZE REFERENCE DIMENSIONING, MULLION SPACING, ETC.

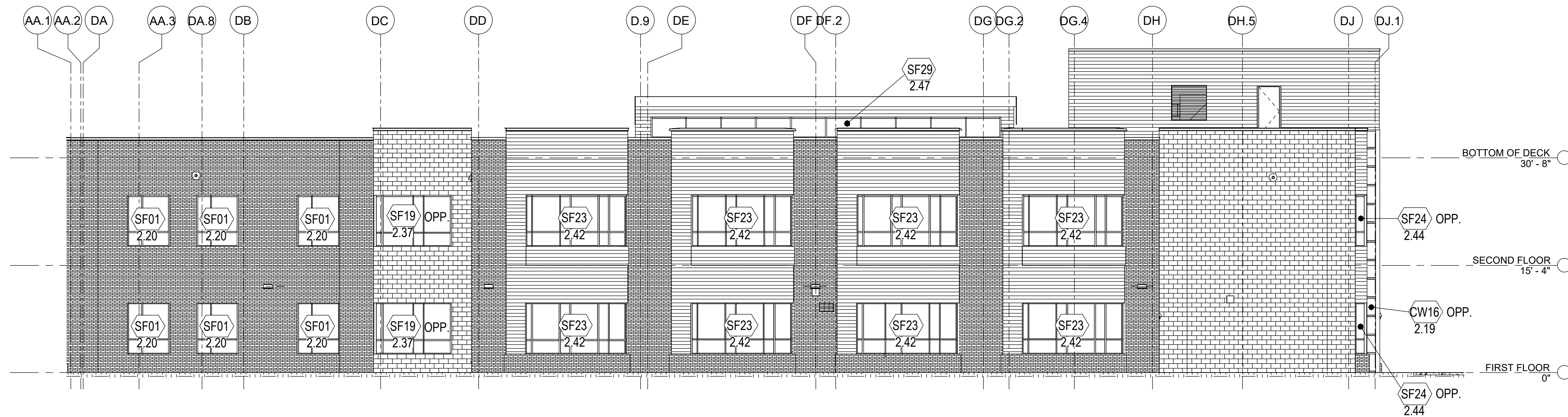
REV.	DESCRIPTION	DATE
1	1ST REVISION (RA)	06.19.21
2	2ND REVISION (ENGINEERING)	08.08.21
3	3RD REVISION (BULLET RESISTANT)	08.03.21

BETHEL HANBERRY ELEMENTARY SCHOOL
 EXTERIOR SUBMITTAL
 125 BONEY ROAD, BLYTHEWOOD, SC 29016



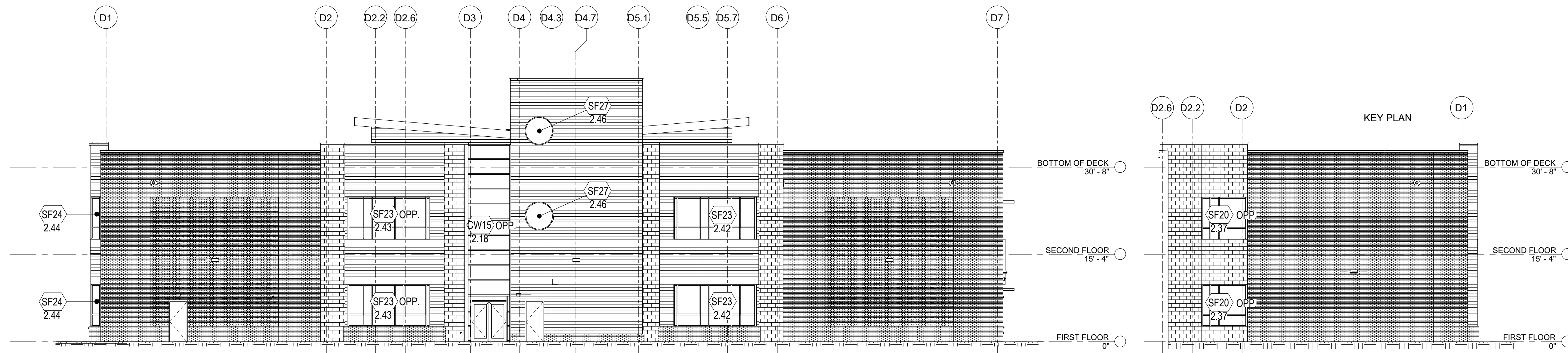
JOB # 20-018

DRAWN BY:	DATE:
RA	04.23.21
CHECKED BY:	DATE:
EW	04.23.21



NORTH ELEVATION - AREA D

NTS ARCH. REF.: E4/A301D

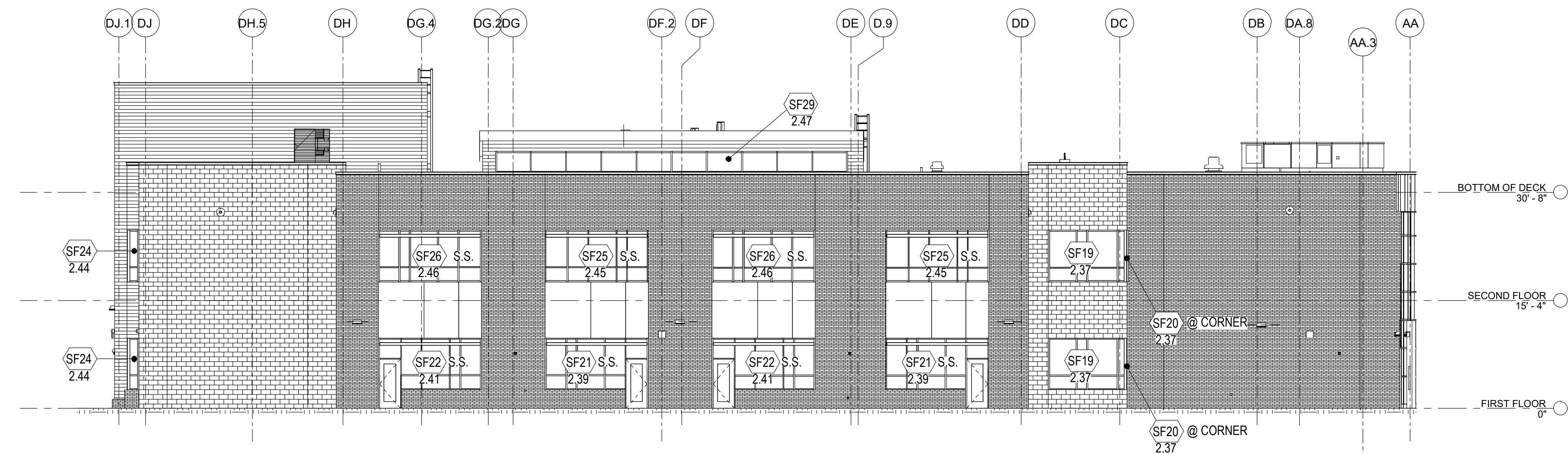


WEST ELEVATION - AREA D

NTS ARCH. REF.: C4/A301D

EAST ELEVATION - AREA D

NTS ARCH. REF.: C2/A301D



SOUTH ELEVATION - AREA D

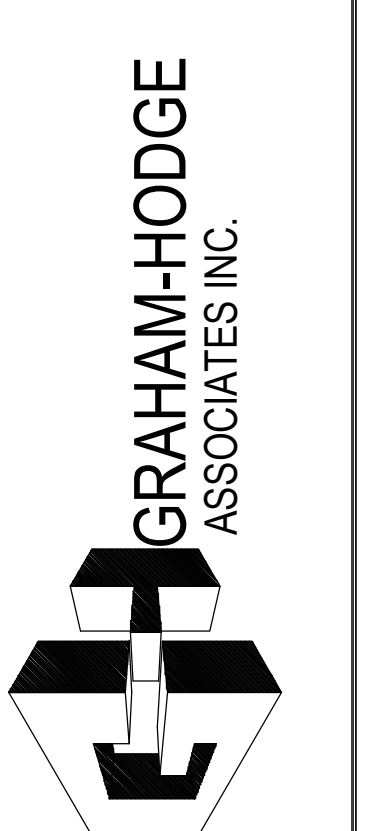
NTS ARCH. REF.: A4/A301D

ARCH / G.C. NOTE:

FLOOR PLANS ARE PROVIDED FOR OPENING TYPE LOCATION ONLY. REFER TO SPECIFIC MARK ELEVATIONS FOR SIZE REFERENCE DIMENSIONING, MULLION SPACING, ETC.

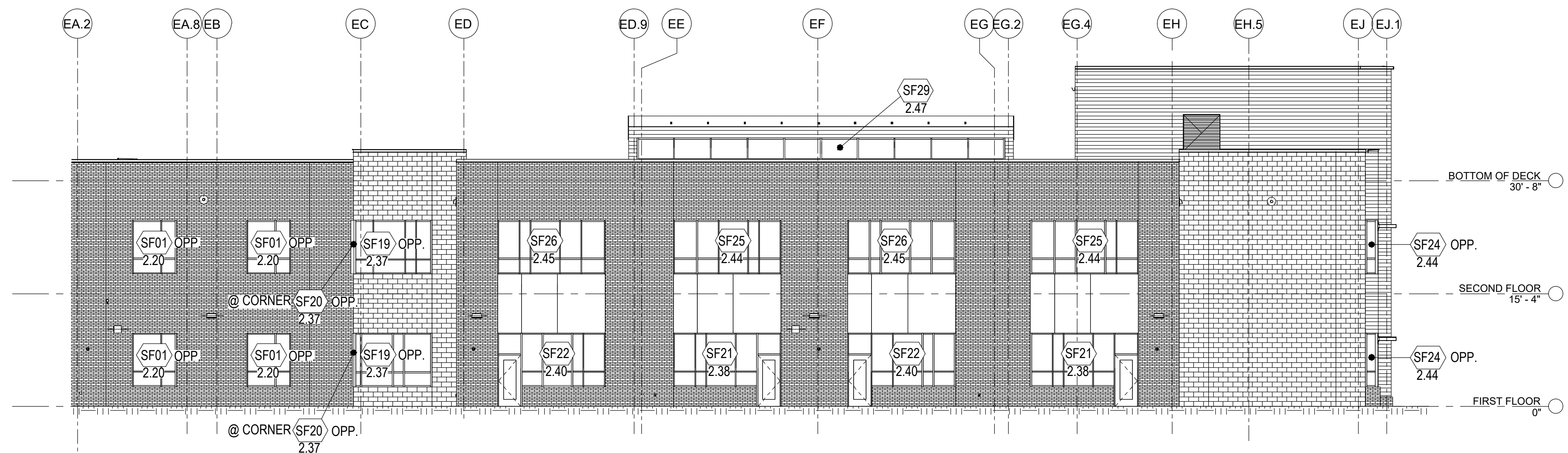
REV.	DESCRIPTION	DATE
1	1ST REVISION (RA)	06.19.21
2	2ND REVISION (ENGINEERING)	08.02.21
3	3RD REVISION (BULLET RESISTANT)	08.03.21

BETHEL HANBERRY ELEMENTARY SCHOOL
 EXTERIOR SUBMITTAL
 125 BONEY ROAD, BLYTHEWOOD, SC 29016



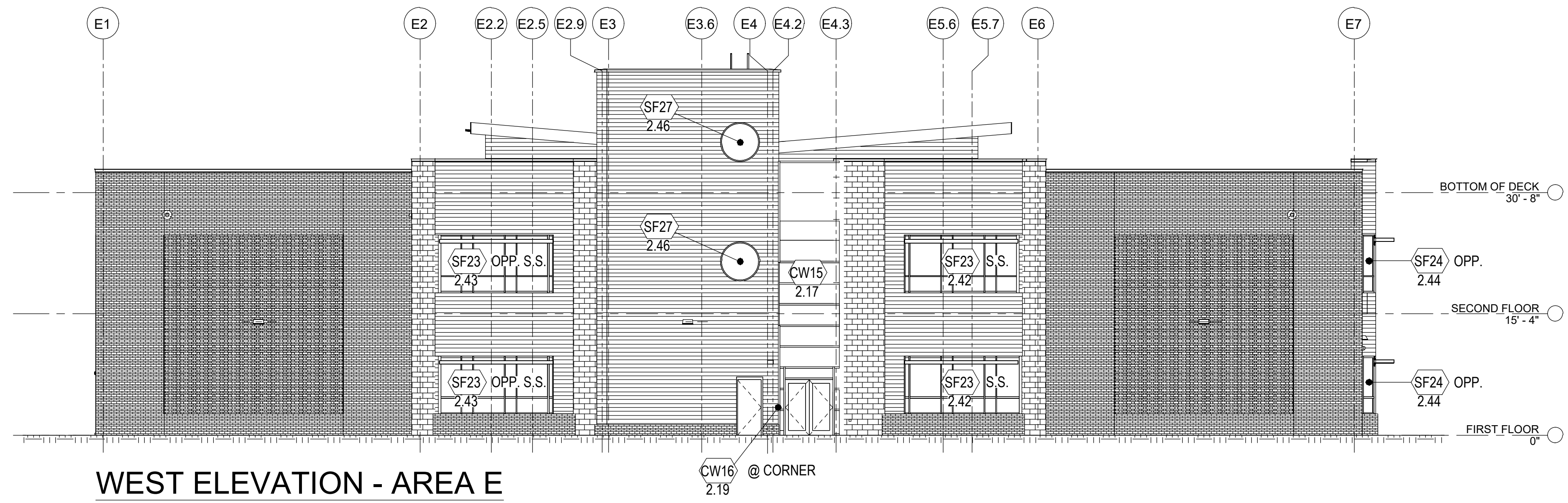
JOB #
20-018

DRAWN BY:	DATE:
RA	04.23.21
CHECKED BY:	DATE:
EW	04.23.21



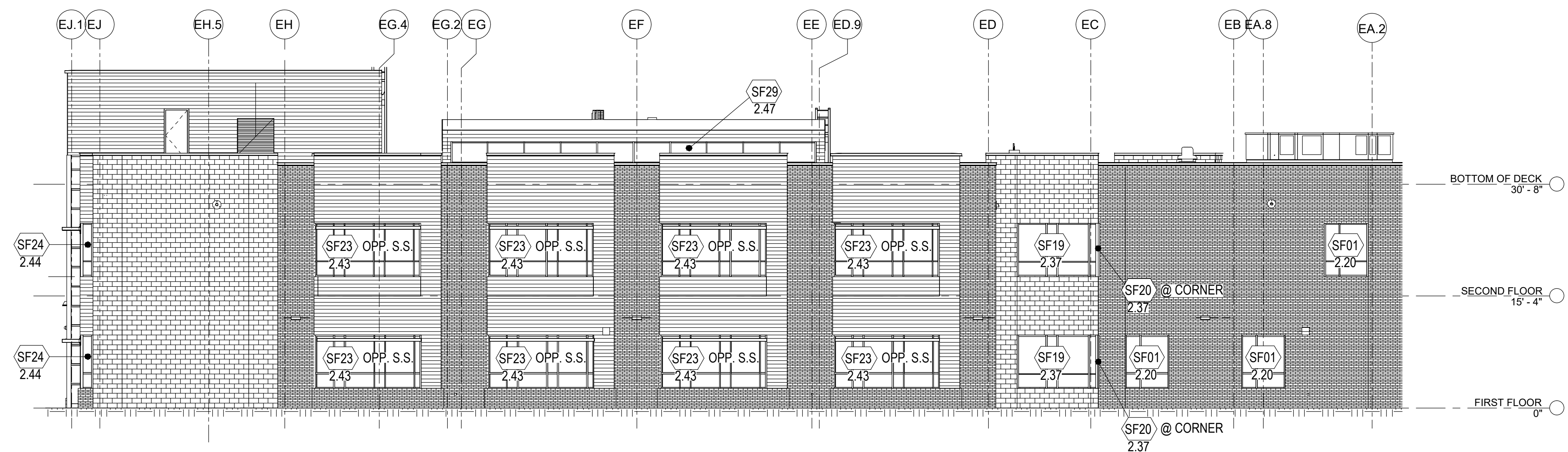
NORTH ELEVATION - AREA E

NTS ARCH. REF.: E4/A301E



WEST ELEVATION - AREA E

NTS ARCH. REF.: C4/A301E



SOUTH ELEVATION - AREA E

NTS ARCH. REF.: A4/A301E

ARCH / G.C. NOTE:

FLOOR PLANS ARE PROVIDED FOR OPENING TYPE LOCATION ONLY. REFER TO SPECIFIC MARK ELEVATIONS FOR SIZE REFERENCE DIMENSIONING, MULLION SPACING, ETC.

REV.	DESCRIPTION	DATE
1	1ST REVISION (RA)	06.19.21
2	2ND REVISION (ENGINEERING)	08.02.21
3	3RD REVISION (BULLET RESISTANT)	08.03.21

BETHEL HANBERRY ELEMENTARY SCHOOL
 EXTERIOR SUBMITTAL
 125 BONEY ROAD, BLYTHEWOOD, SC 29016

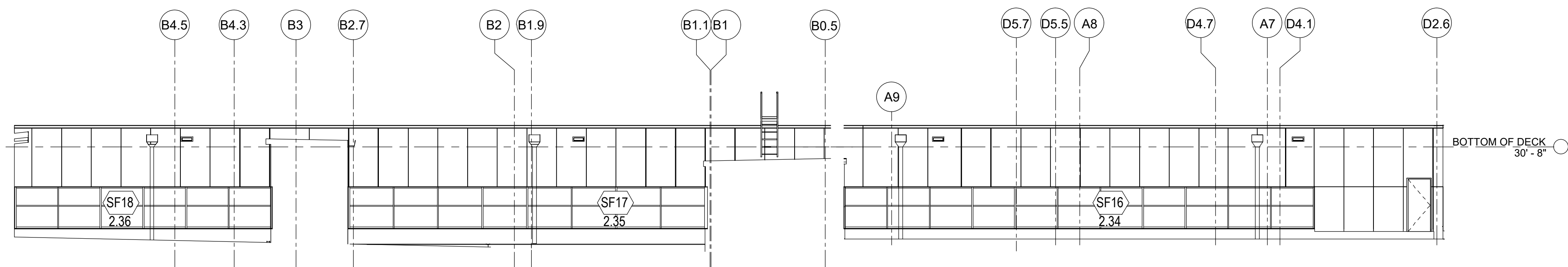


JOB #
20-018

DRAWN BY:	DATE:
RA	04.23.21
CHECKED BY:	DATE:
EW	04.23.21

1.18

DRAWING SUBMISSION

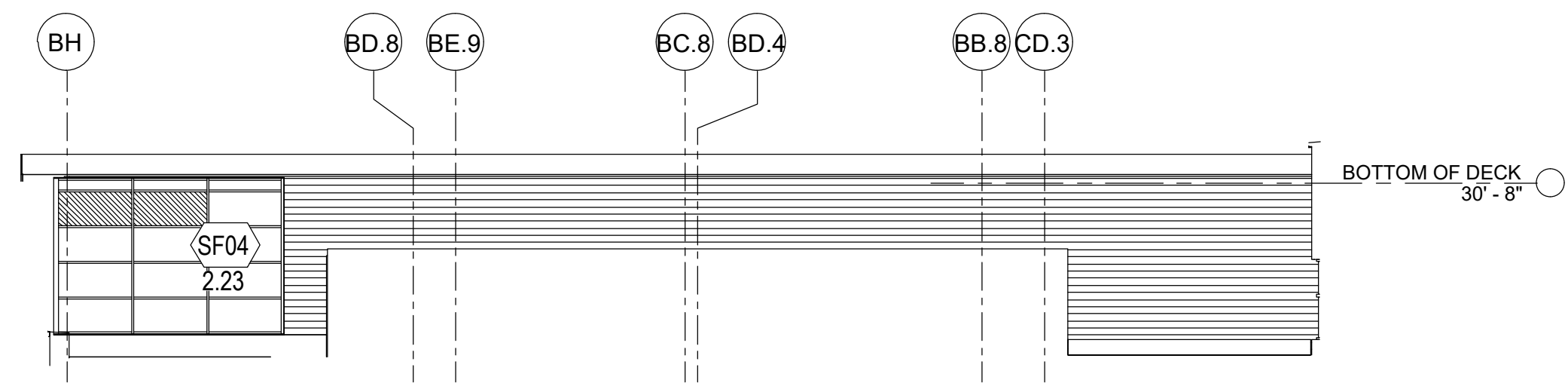


MAIN STREET CLERESTORY - B

NTS ARCH. REF.: E7/A302

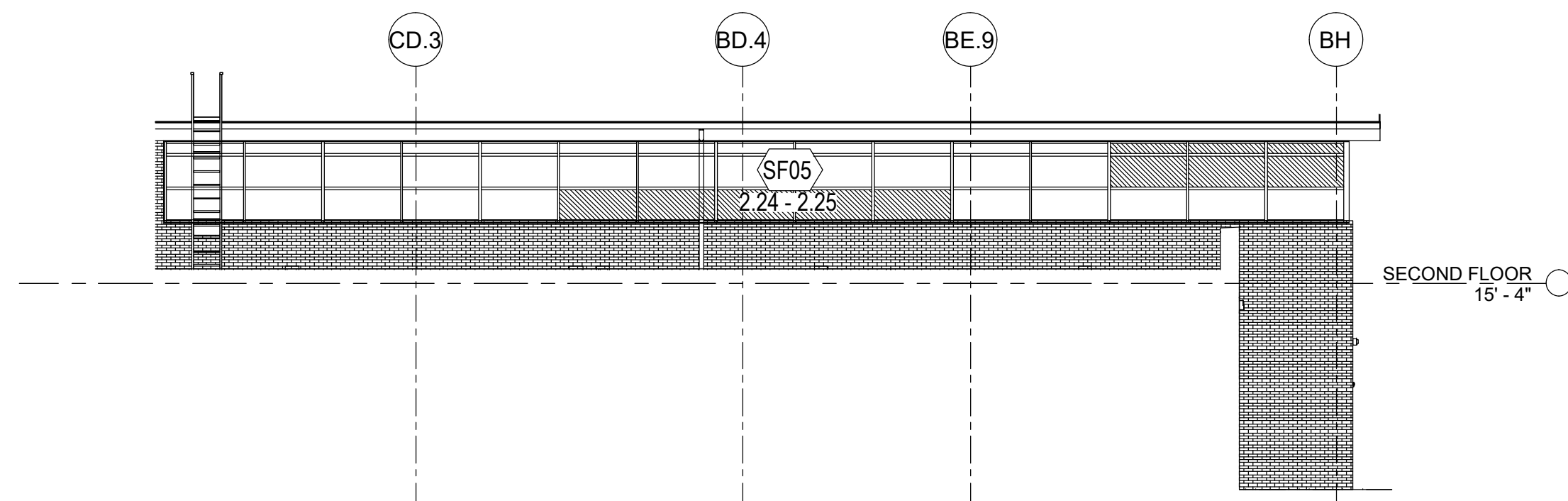
MAIN STREET CLERESTORY - A

NTS ARCH. REF.: E5/A302



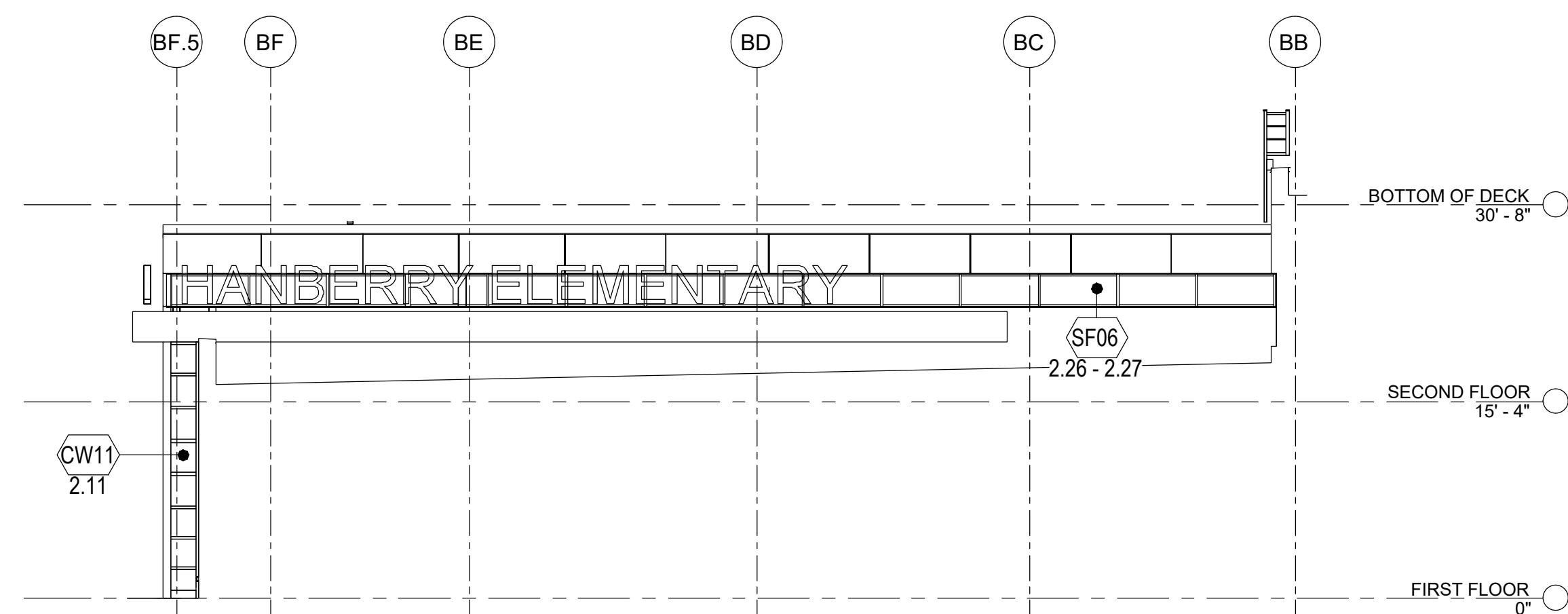
NORTH ELEVATION - AREA B/GYM

NTS ARCH. REF.: C7/A302



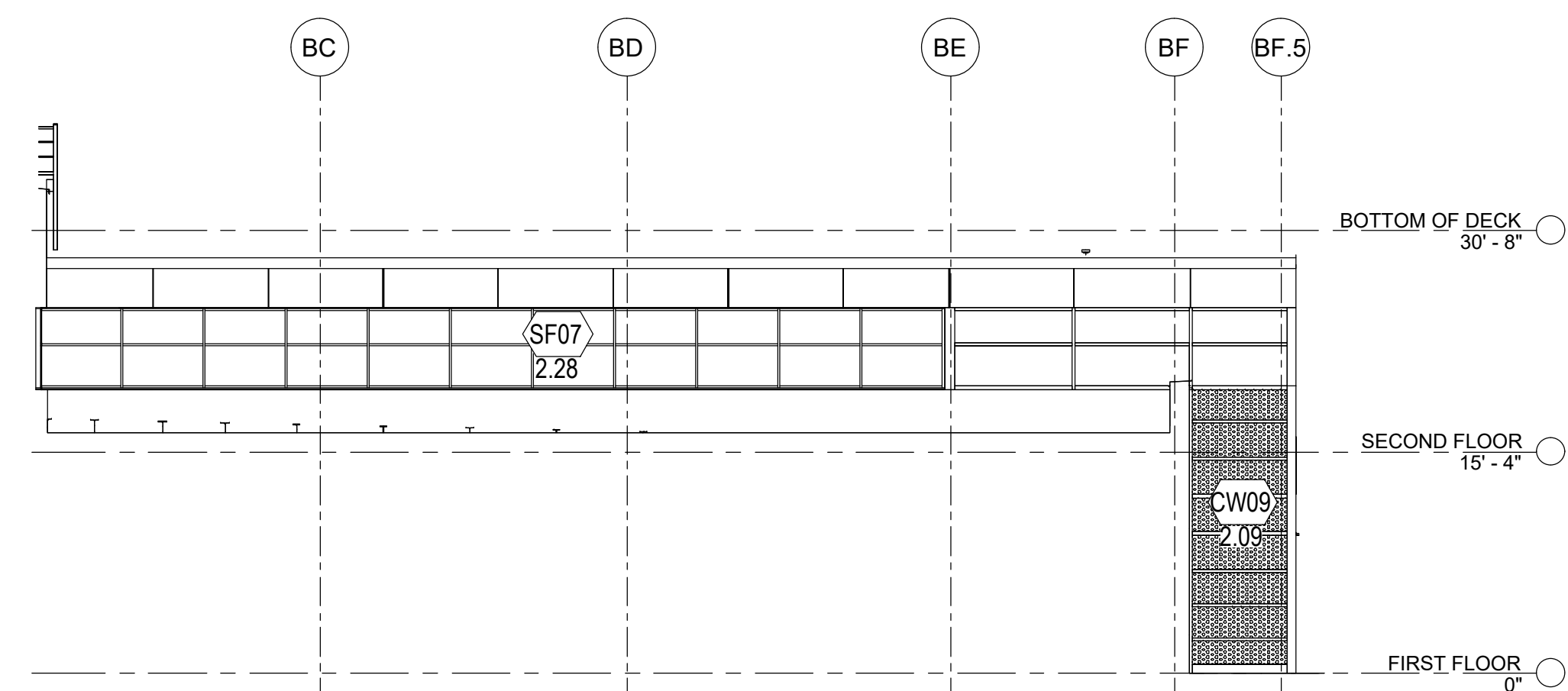
SOUTH ELEVATION - GYM CLERESTORY

NTS ARCH. REF.: B4/A302



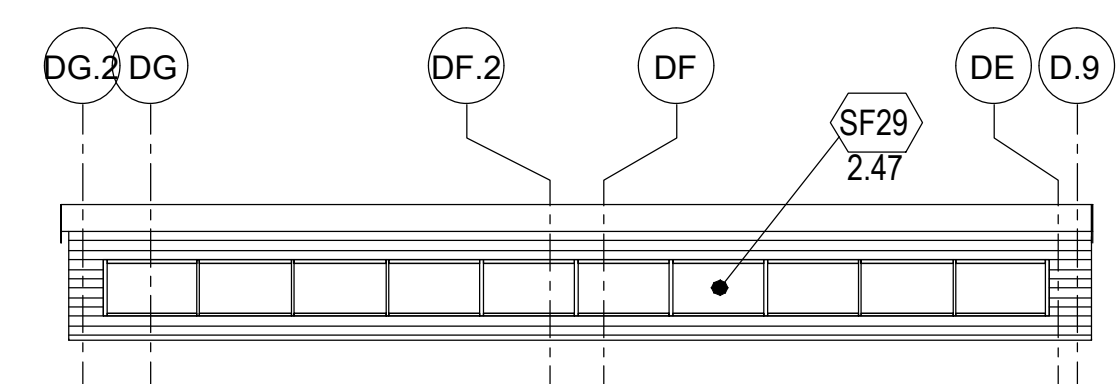
CORRIDOR - NORTH ELEVATION

NTS ARCH. REF.: E7/A303



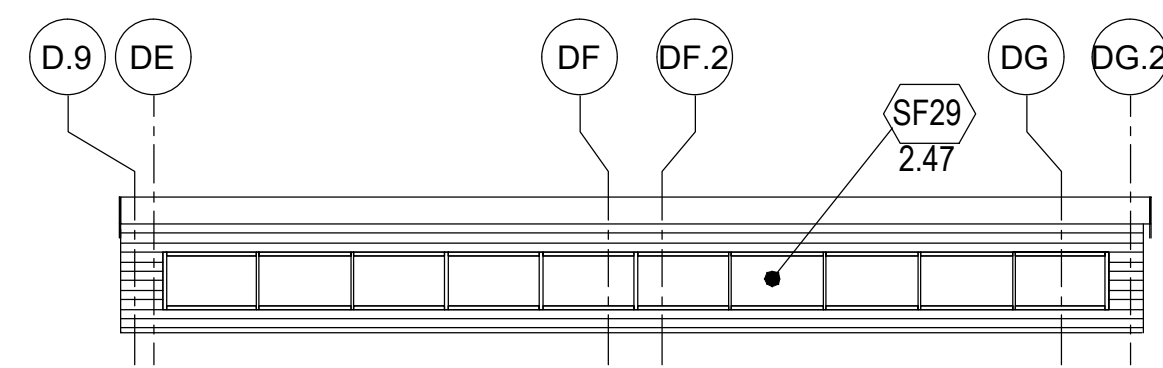
CORRIDOR - SOUTH ELEVATION

NTS ARCH. REF.: E4/A303



TYP. POD CLERESTORY - SOUTH ELEVATION

NTS ARCH. REF.: B7/A303



TYP. POD CLERESTORY - NORTH ELEVATION

NTS ARCH. REF.: D5/A303

ARCH / G.C. NOTE:

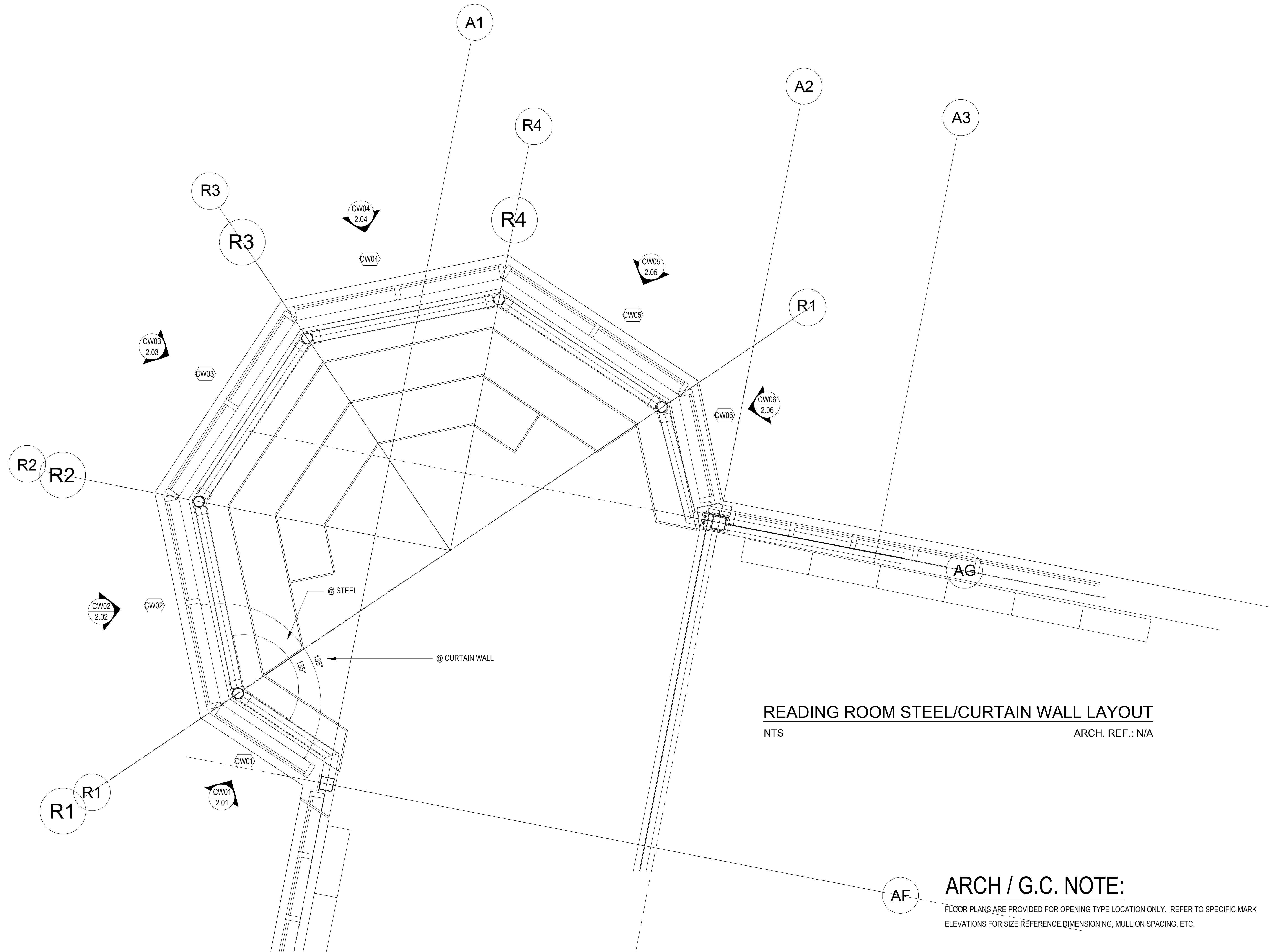
FLOOR PLANS ARE PROVIDED FOR OPENING TYPE LOCATION ONLY. REFER TO SPECIFIC MARK ELEVATIONS FOR SIZE REFERENCE DIMENSIONING, MULLION SPACING, ETC.

REV.	DESCRIPTION	DATE
1	1ST REVISION (RA)	06.19.21
2	2ND REVISION (ENGINEERING)	08.03.21
3	3RD REVISION (BULLET RESISTANT)	08.03.21

BETHEL HANBERRY ELEMENTARY SCHOOL
 EXTERIOR SUBMITTAL
 125 BONEY ROAD, BLYTHEWOOD, SC 29016



JOB #	20-018
DRAWN BY:	RA
CHECKED BY:	EW
DATE:	04.23.21



READING ROOM STEEL/CURTAIN WALL LAYOUT
 NTS ARCH. REF.: N/A

ARCH / G.C. NOTE:
 FLOOR PLANS ARE PROVIDED FOR OPENING TYPE LOCATION ONLY. REFER TO SPECIFIC MARK ELEVATIONS FOR SIZE REFERENCE, DIMENSIONING, MULLION SPACING, ETC.

REV.	DESCRIPTION	DATE
1	1ST REVISION (RA)	06.19.21
2	2ND REVISION (ENGINEERING)	08.08.21
3	3RD REVISION (BULLET RESISTANT)	08.03.21

BETHEL HANBERRY ELEMENTARY SCHOOL
 EXTERIOR SUBMITTAL
 125 BONEY ROAD, BLYTHEWOOD, SC 29016

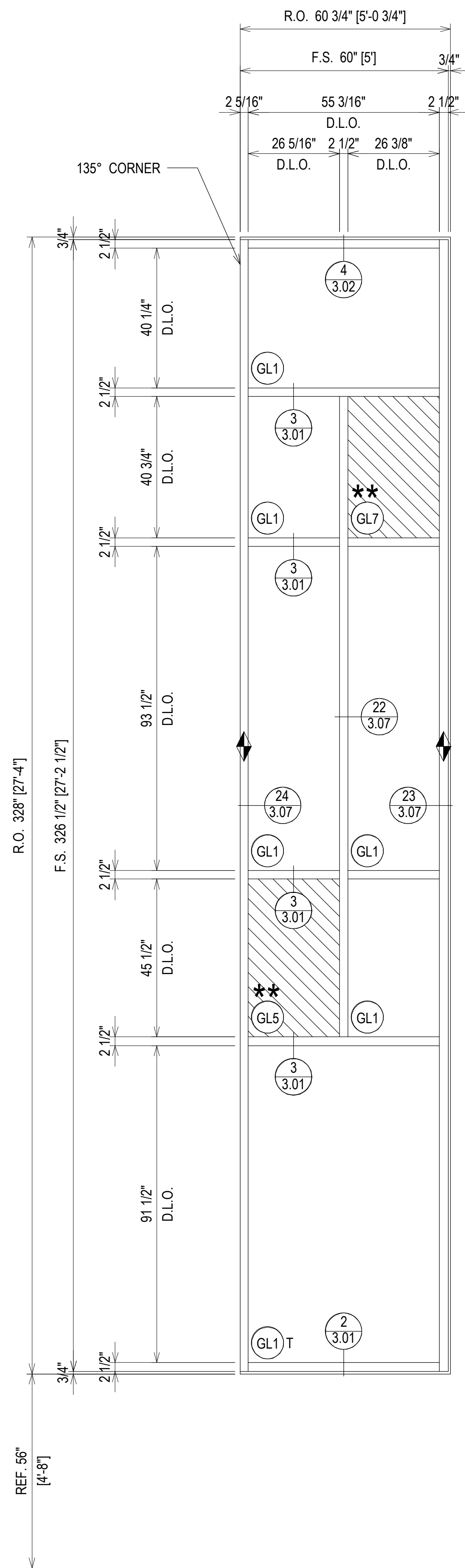


JOB #
20-018

DRAWN BY:	DATE:
RA	04.23.21
CHECKED BY:	DATE:
EW	04.23.21

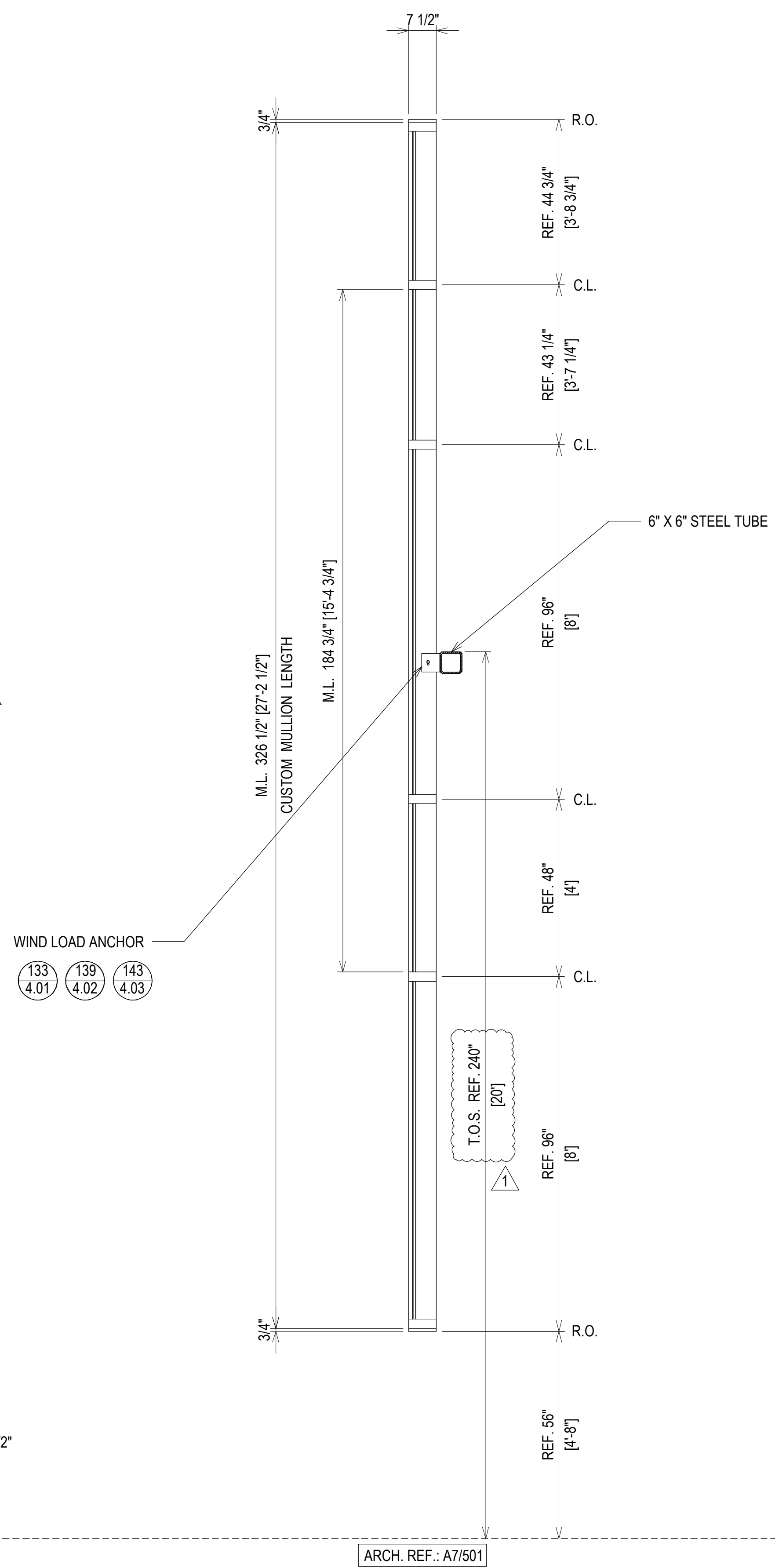
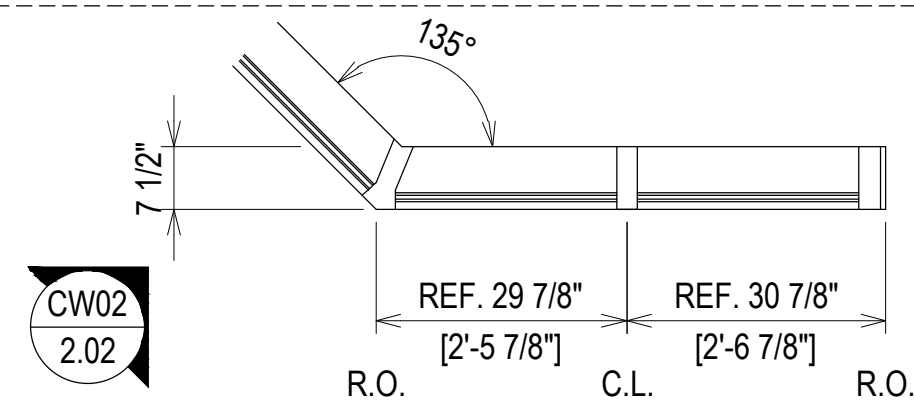
1.20

DRAWING SUBMISSION



** = NOT TYPICAL GASKETS.
USE 027850 FOR EXTERIOR
& 027920 FOR INTERIOR.

ELEVATION CW01
SCALE: 1/2" = 1'-0"
KAWNEER 1600 SYS. 1 - 2 1/2" X 7 1/2"
EXTERIOR CURTAIN WALL
1" INSULATED GLASS (FRONT SET)
QUANTITY: 1



REV.	DESCRIPTION	DATE
1	1ST REVISION (RA)	06.19.21
2	2ND REVISION (ENGINEERING)	08.02.21
3	3RD REVISION (BULLET RESISTANT)	08.03.21
NO	DESCRIPTION	

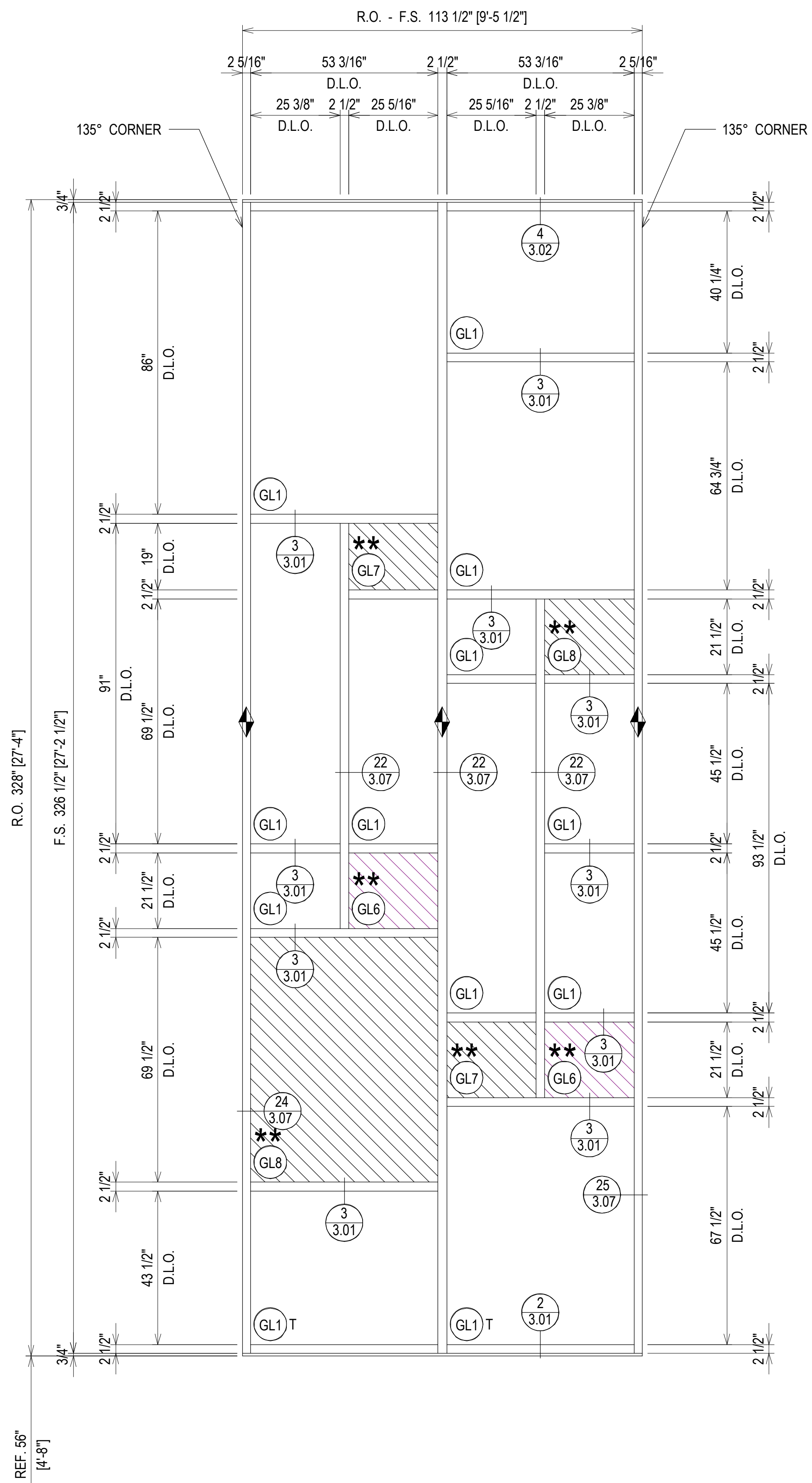
BETHEL HANBERRY ELEMENTARY SCHOOL
EXTERIOR SUBMITTAL
125 BONEY ROAD, BLYTHEWOOD, SC 29016

GRAHAM-HODGE
ASSOCIATES INC.

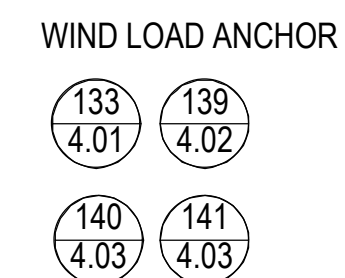
JOB #
20-018

DRAWN BY:	DATE:
RA	04.23.21
CHECKED BY:	DATE:
EW	04.23.21

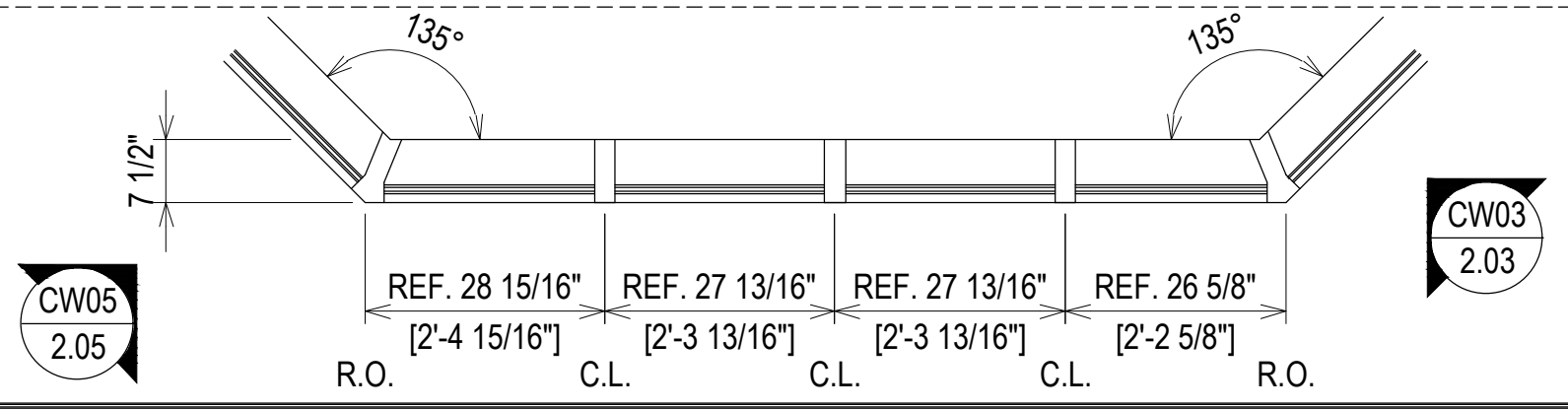
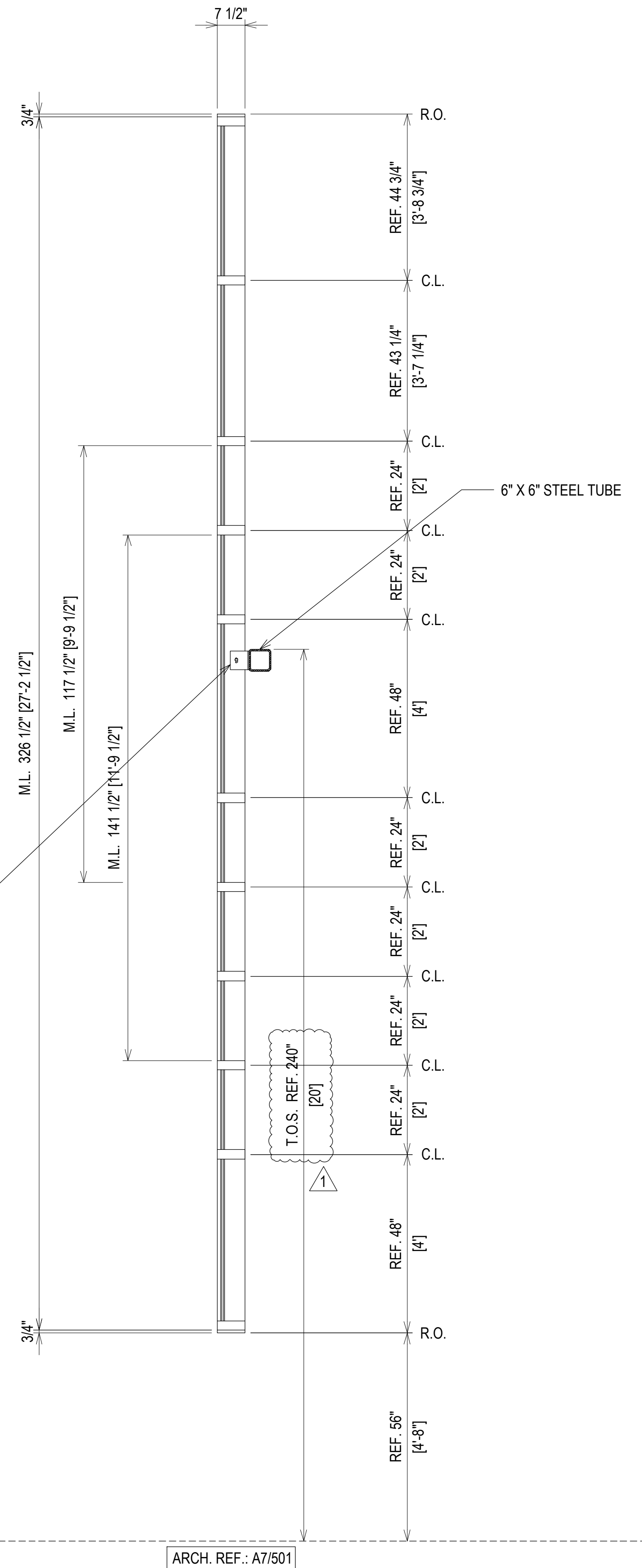
ERECTOR / G.C. NOTE:
PLEASE FIELD VERIFY ALL DIMENSIONS



** = NOT TYPICAL GASKETS.
USE 027850 FOR EXTERIOR
& 027920 FOR INTERIOR.

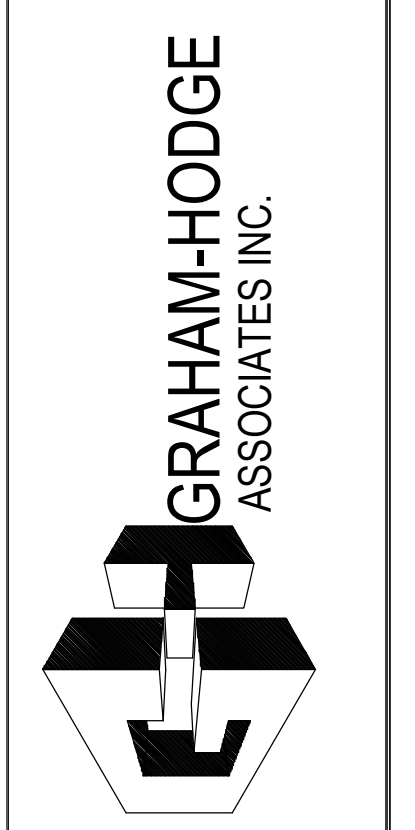


ELEVATION CW04
SCALE: 1/2" = 1'-0"
KAWNEER 1600 SYS. 1 - 2 1/2" X 7 1/2"
EXTERIOR CURTAIN WALL
1" INSULATED GLASS (FRONT SET)
QUANTITY: 1



REV.	DESCRIPTION	DATE
1	1ST REVISION (RA)	06.19.21
2	2ND REVISION (ENGINEERING)	08.03.21
3	3RD REVISION (BULLET RESISTANT)	08.03.21
NO	DESCRIPTION	

BETHEL HANBERRY ELEMENTARY SCHOOL
EXTERIOR SUBMITTAL
125 BONEY ROAD, BLYTHEWOOD, SC 29016

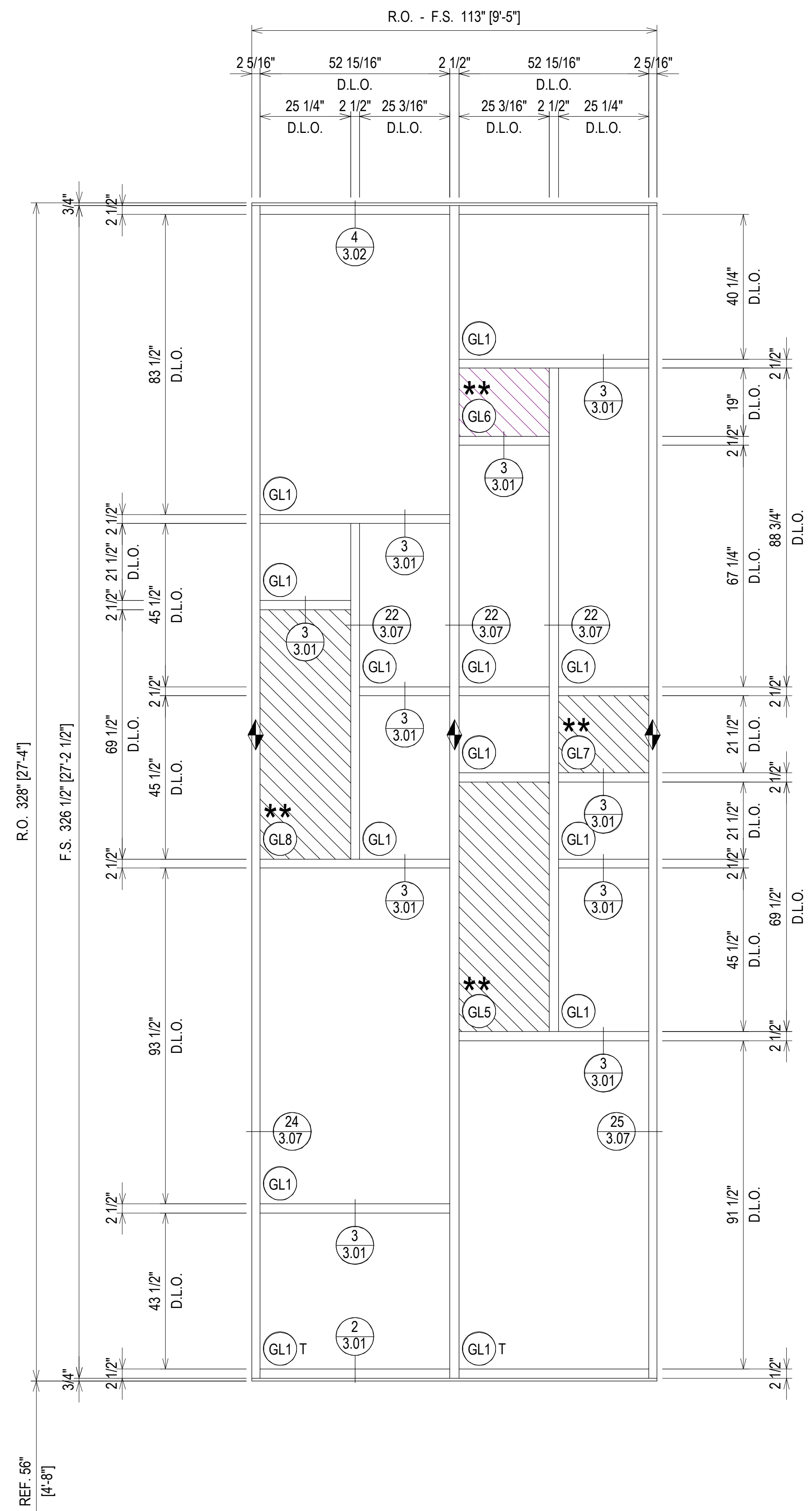


JOB #
20-018

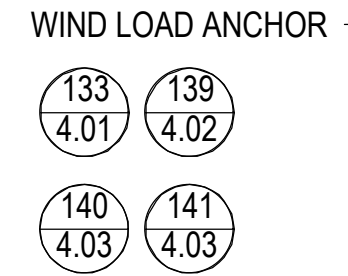
DRAWN BY:	DATE:
RA	04.23.21
CHECKED BY:	DATE:
EW	04.23.21

ERECTOR / G.C. NOTE:
PLEASE FIELD VERIFY ALL DIMENSIONS

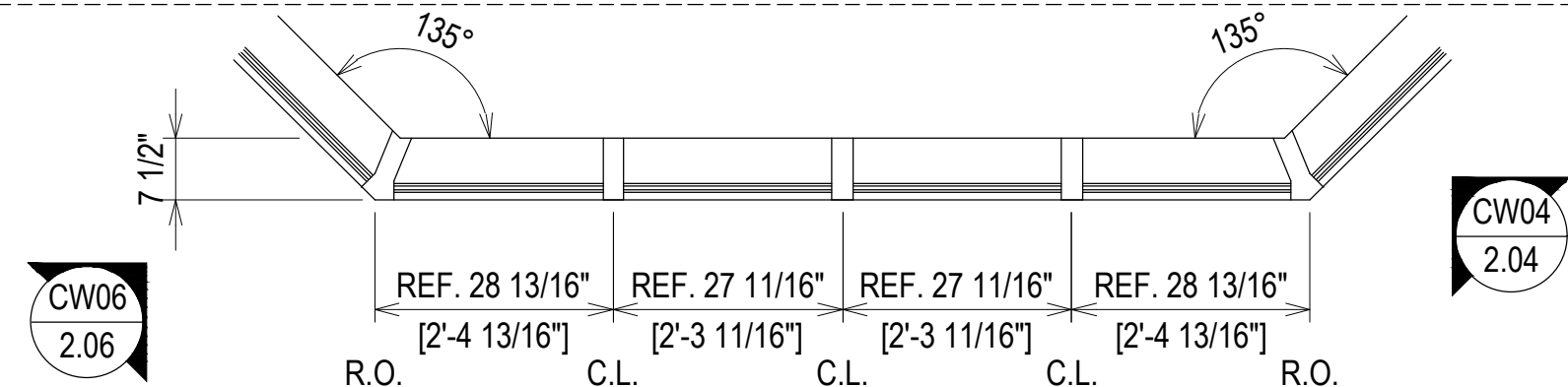
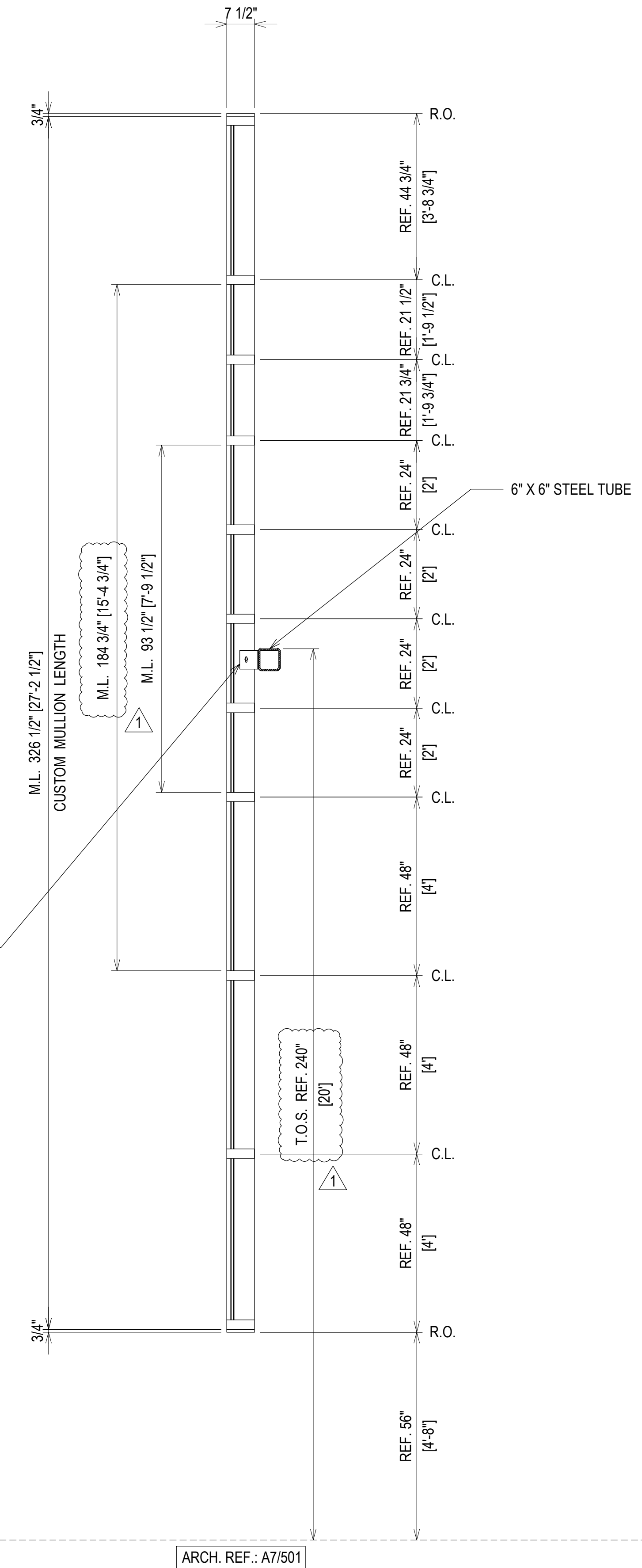
2.04



** = NOT TYPICAL GASKETS.
USE 027850 FOR EXTERIOR
& 027920 FOR INTERIOR.



ELEVATION CW05
SCALE: 1/2" = 1'-0"
KAWNEER 1600 SYS. 1 - 2 1/2" X 7 1/2"
EXTERIOR CURTAIN WALL
1" INSULATED GLASS (FRONT SET)
QUANTITY: 1



ARCH. REF.: A7/501

ERECTOR / G.C. NOTE:
PLEASE FIELD VERIFY ALL DIMENSIONS

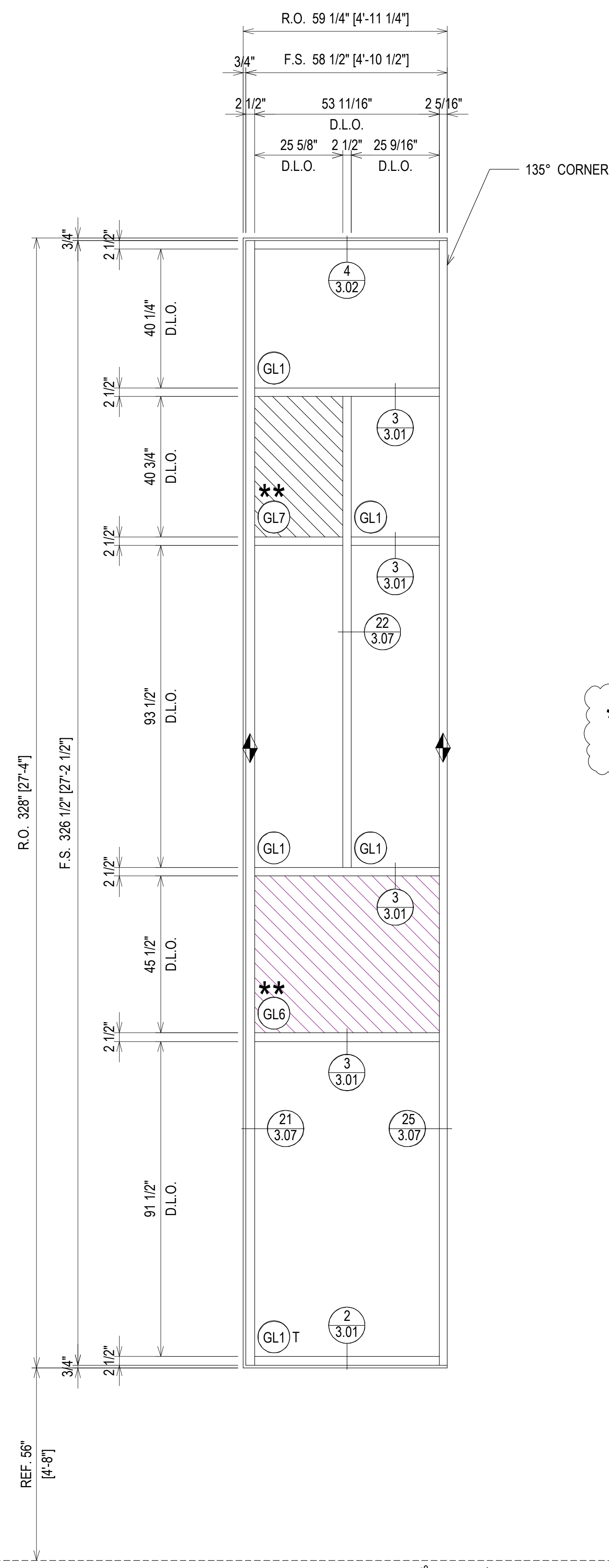
REV.	DESCRIPTION	DATE
1	1ST REVISION (RA)	06.19.21
2	2ND REVISION (ENGINEERING)	08.03.21
3	3RD REVISION (ALLET RESUBMIT)	08.03.21
NO	DESCRIPTION	

BETHEL HANBERRY ELEMENTARY SCHOOL	
EXTERIOR SUBMITTAL	
125 BONEY ROAD, BLYTHEWOOD, SC 29016	

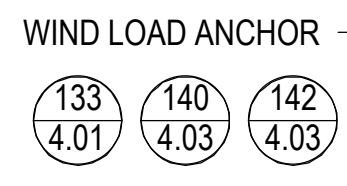
GRAHAM-HODGE ASSOCIATES INC.	
JOB # 20-018	
DRAWN BY: RA	DATE: 04.23.21
CHECKED BY: EW	DATE: 04.23.21

DRAWING SUBMISSION	
--------------------	--

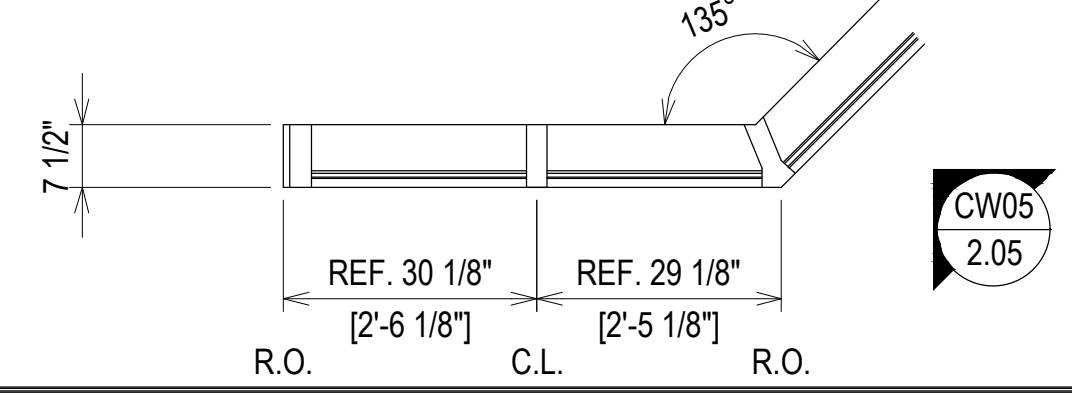
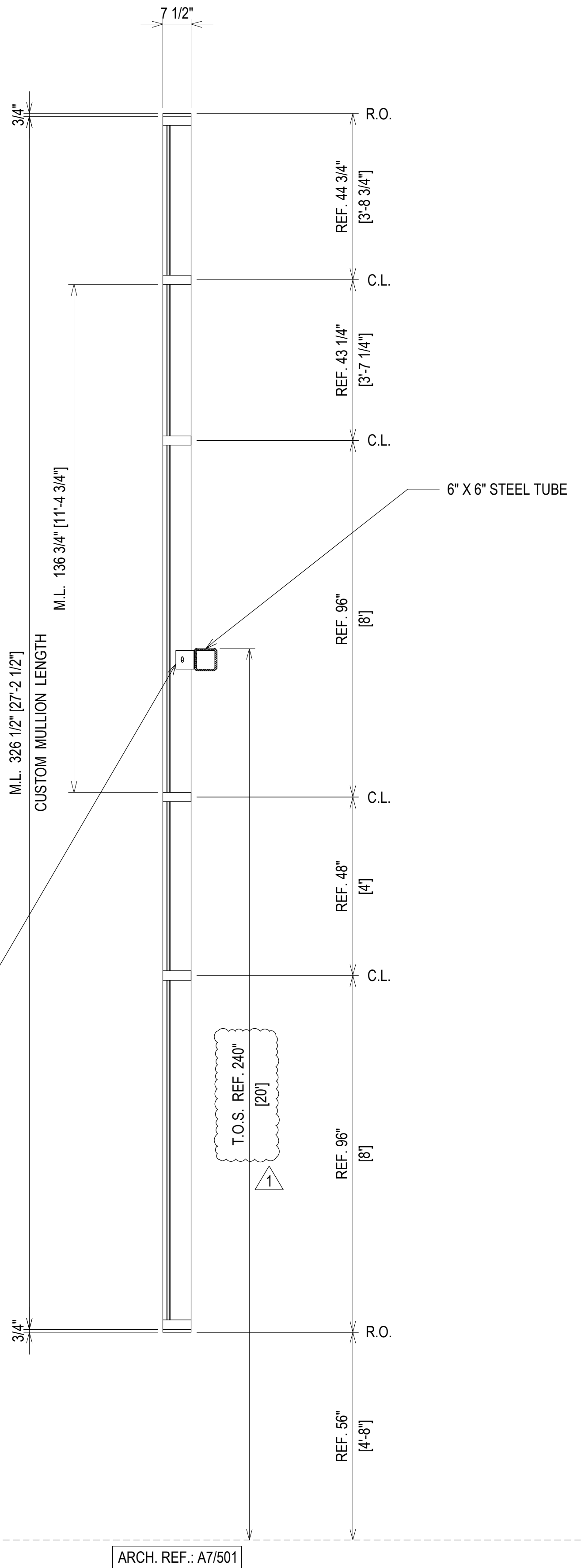
2.05



** = NOT TYPICAL GASKETS.
USE 027850 FOR EXTERIOR
& 027920 FOR INTERIOR.



ELEVATION CW06
SCALE: 1/2" = 1'-0"
KAWNEER 1600 SYS. 1 - 2 1/2" X 7 1/2"
EXTERIOR CURTAIN WALL
1" INSULATED GLASS (FRONT SET)
QUANTITY: 1



REV.	DESCRIPTION	DATE
1	1ST REVISION (RA)	06.19.21
2	2ND REVISION (ENGINEERING)	08.03.21
3	3RD REVISION (BULLET RESISTANT)	08.03.21
NO	DESCRIPTION	

BETHEL HANBERRY ELEMENTARY SCHOOL
EXTERIOR SUBMITTAL
125 BONEY ROAD, BLYTHEWOOD, SC 29016

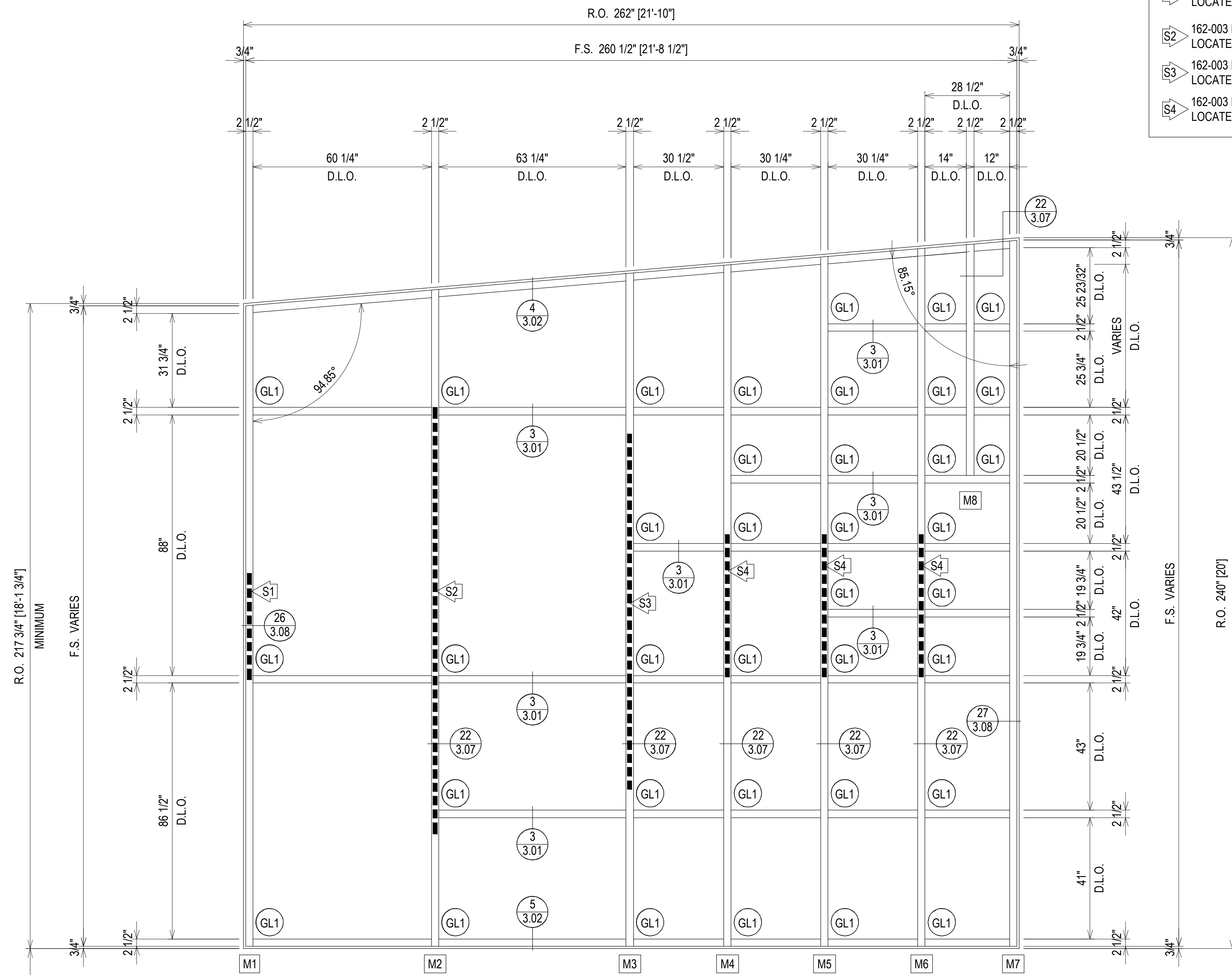


JOB #
20-018

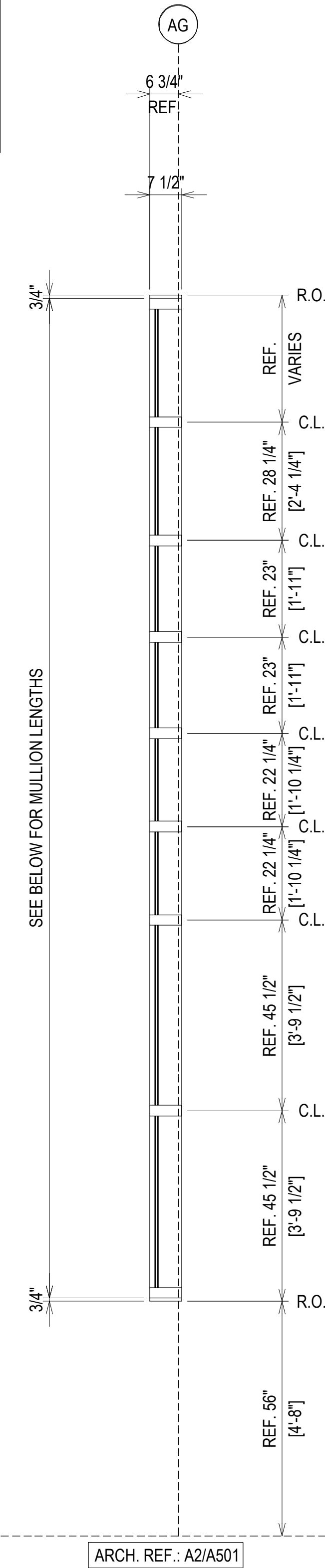
DRAWN BY:	DATE:
RA	04.23.21
CHECKED BY:	DATE:
EW	04.23.21

ERECTOR / G.C. NOTE:
PLEASE FIELD VERIFY ALL DIMENSIONS

2.06



- S1 162-003 MULLION WITH 162-301 STEEL (3'-0" LENGTH)
LOCATED 90" TO 126" FROM BOTTOM OF THE MULLION
- S2 162-003 MULLION WITH 162-301 STEEL (12'-0" LENGTH)
LOCATED 38" TO 182" FROM BOTTOM OF THE MULLION
- S3 162-003 MULLION WITH 162-301 STEEL (10'-0" LENGTH)
LOCATED 53" TO 173" FROM BOTTOM OF THE MULLION
- S4 162-003 MULLION WITH 162-301 STEEL (4'-0" LENGTH)
LOCATED 91" TO 139" FROM BOTTOM OF THE MULLION



REF. 56" [4'-8"]

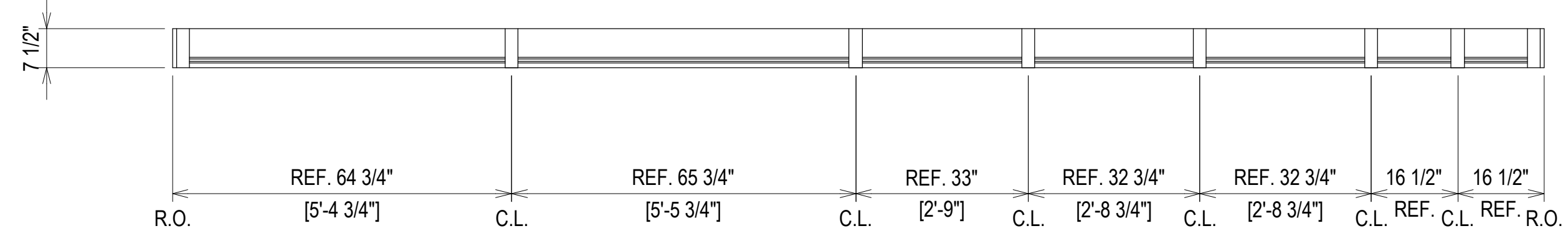
R.O. 217 3/4" [18'-1 3/4"]
MINIMUM
F.S. VARIES

3 1/4" REF.

2 1/2" D.L.O.

3 1/4" REF.

FIRST FLOOR
0' - 0"



ELEVATION CW07

SCALE: 1/2" = 1'-0"
KAWNEER 1600 SYS. 1 - 2 1/2" X 7 1/2"
EXTERIOR CURTAIN WALL
1" INSULATED GLASS (FRONT SET)
QUANTITY: 1

MULLION	MULLION LENGTH (TO LONGEST POINT)
M1	18'-0 1/2"
M2	18'-5 7/8"
M3	18'-11 7/16"
M4	19'-2 1/4"
M5	19'-5"
M6	19'-7 13/16"
M7	19'-10 7/16"
M8	6'-6 3/16"

ERECTOR / G.C. NOTE:
PLEASE FIELD VERIFY ALL DIMENSIONS

REV.	DESCRIPTION	DATE
1	1ST REVISION (RA)	06.19.21
2	2ND REVISION (ENGINEERING)	08.03.21
3	3RD REVISION (MULLION RESISTANT)	08.03.21
NO	DESCRIPTION	NO

BETHEL HANBERRY ELEMENTARY SCHOOL
EXTERIOR SUBMITTAL
125 BONEY ROAD, BLYTHEWOOD, SC 29016

GRAHAM-HODGE
ASSOCIATES INC.

JOB #
20-018

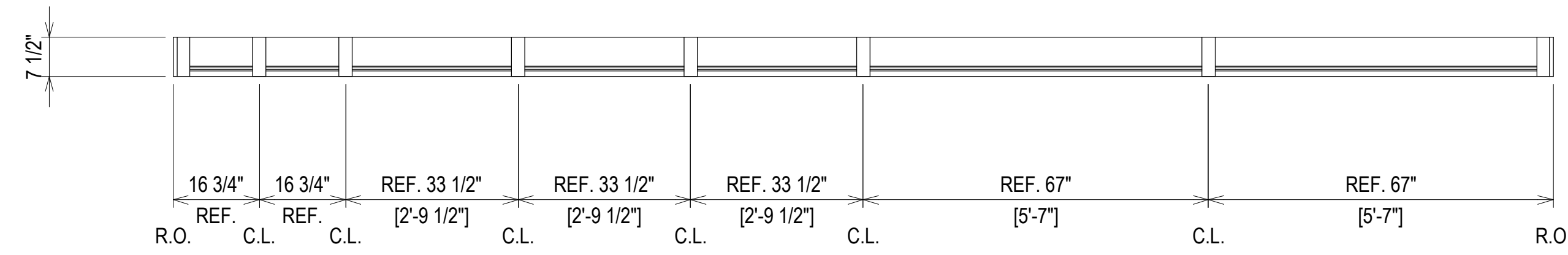
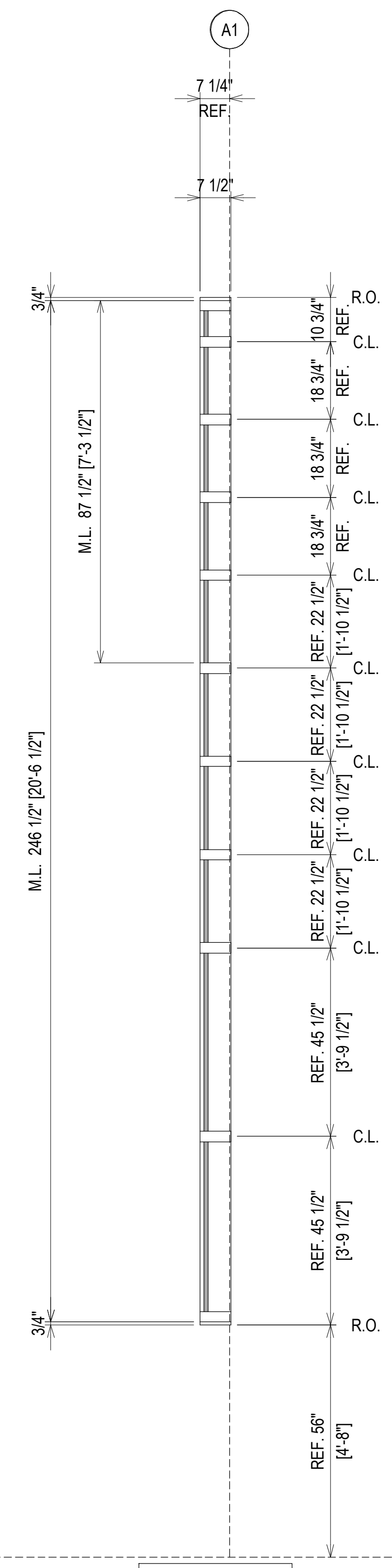
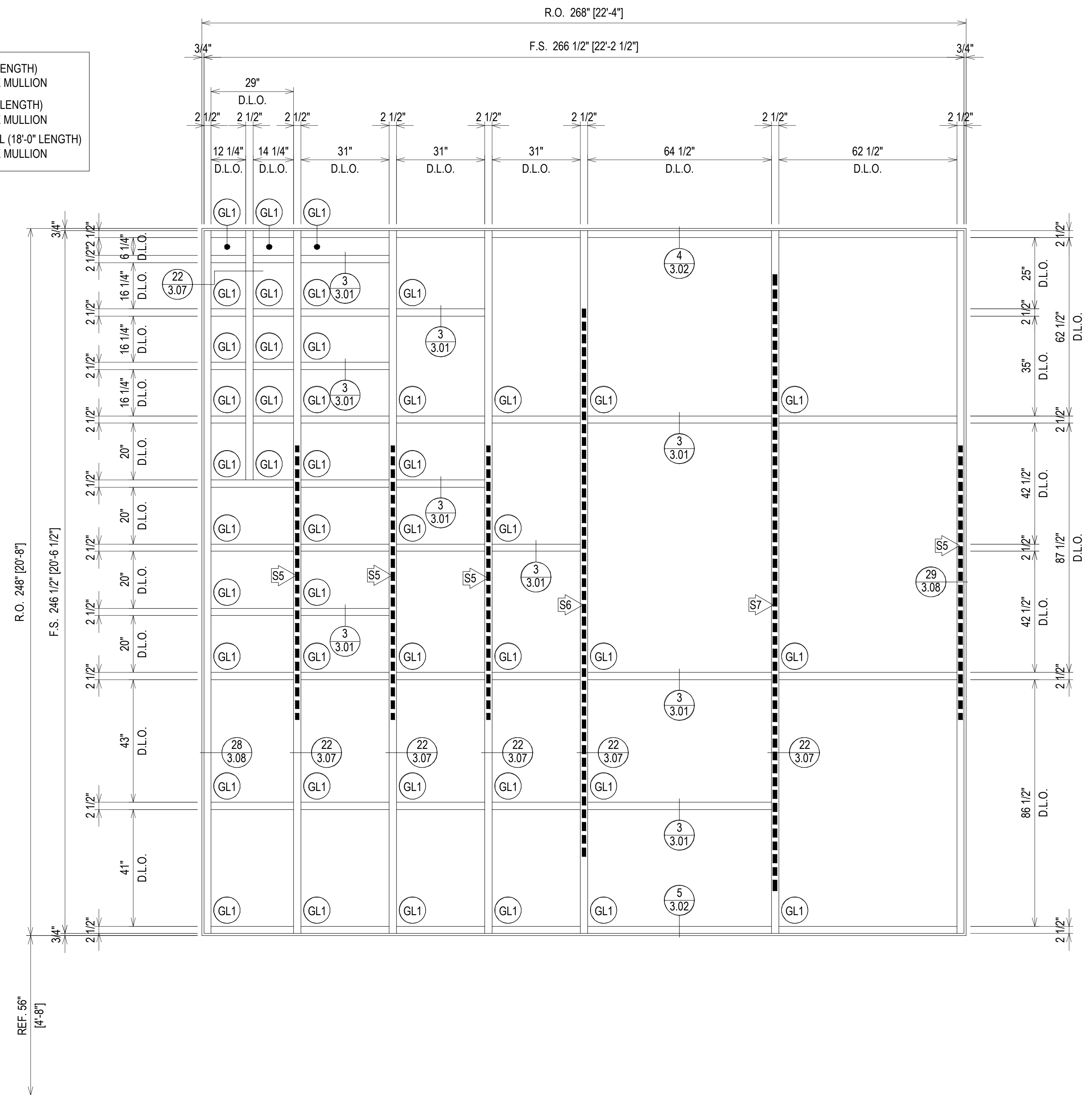
DRAWN BY:	DATE:
RA	04.23.21
CHECKED BY:	DATE:
EW	04.23.21

2.07

DRAWING SUBMISSION

INTERNAL STEEL REINFORCING NECESSARY AT EACH VERTICAL DUE TO NO MID-SPAN SUPPORT. STEEL REINFORCING REQUIREMENTS TO BE DETAILED WITH FINAL ENGINEERING REPORT FOLLOWING SHOP DRAWING APPROVAL.

- S5 162-003 MULLION WITH 162-301 STEEL (8'-0" LENGTH) LOCATED 75" TO 171" FROM BOTTOM OF THE MULLION
- S6 162-003 MULLION WITH 162-301 STEEL (16'-0" LENGTH) LOCATED 27" TO 219" FROM BOTTOM OF THE MULLION
- S7 162-003 MULLION WITH 162-301/162-302 STEEL (18'-0" LENGTH) LOCATED 15" TO 231" FROM BOTTOM OF THE MULLION



ELEVATION CW08
 SCALE: 1/2" = 1'-0"
 KAWNEER 1600 SYS. 1 - 2 1/2" X 7 1/2"
 EXTERIOR CURTAIN WALL
 1" INSULATED GLASS (FRONT SET)
 QUANTITY: 1

ERECTOR / G.C. NOTE:
 PLEASE FIELD VERIFY ALL DIMENSIONS

REV.	DESCRIPTION	DATE
1	1ST REVISION (RA)	06.19.21
2	2ND REVISION (ENGINEERING)	08.03.21
3	3RD REVISION (BULLET RESISTANT)	08.03.21
NO	DESCRIPTION	

BETHEL HANBERRY ELEMENTARY SCHOOL
 EXTERIOR SUBMITTAL
 125 BONEY ROAD, BLYTHEWOOD, SC 29016

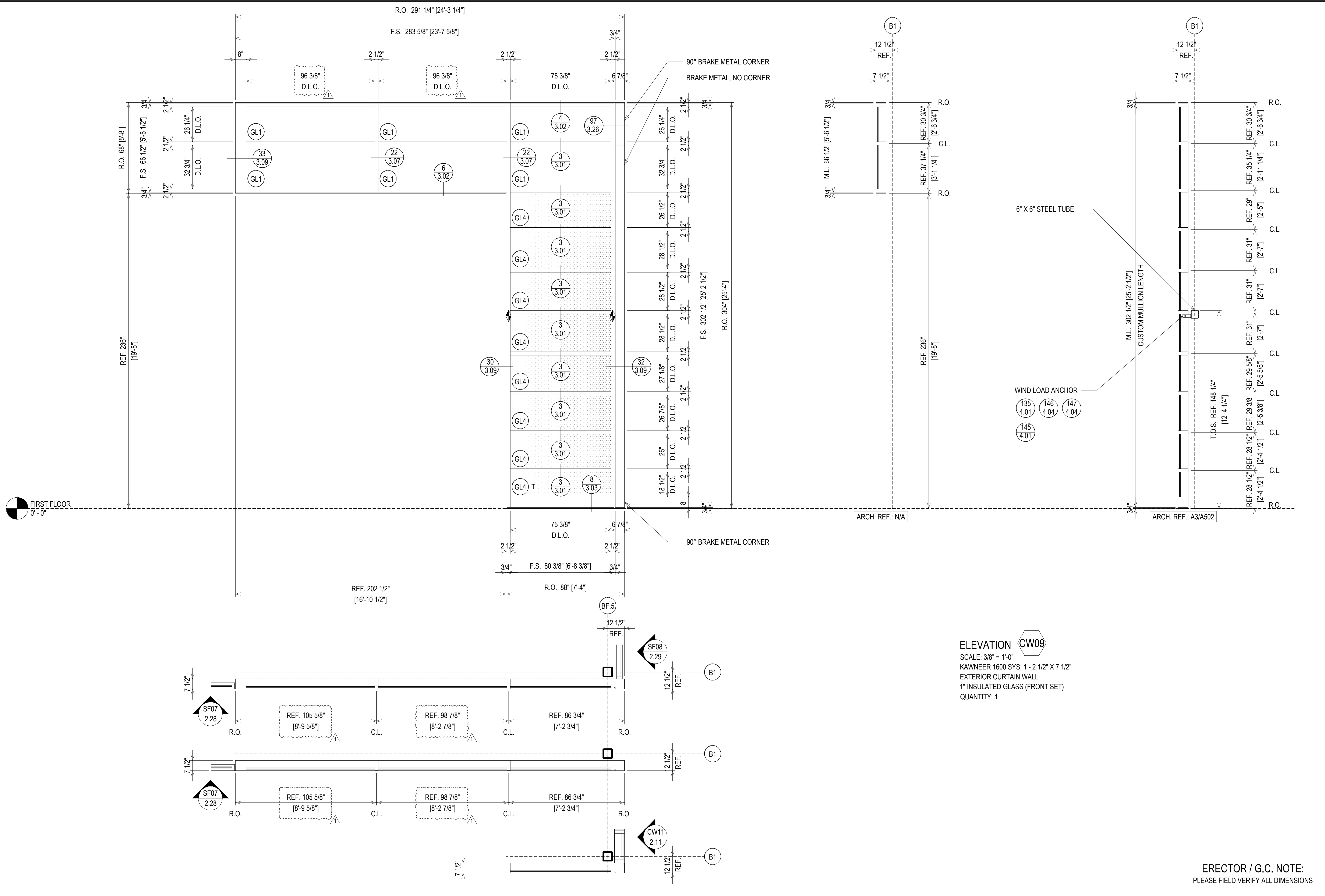
GRAHAM-HODGE
 ASSOCIATES INC.

JOB #
 20-018

DRAWN BY:	DATE:
RA	04.23.21
CHECKED BY:	DATE:
EW	04.23.21

2.08





ELEVATION CW09
 SCALE: 3/8" = 1'-0"
 KAWNEER 1600 SYS. 1 - 2 1/2" X 7 1/2"
 EXTERIOR CURTAIN WALL
 1" INSULATED GLASS (FRONT SET)
 QUANTITY: 1

ERECTOR / G.C. NOTE:
 PLEASE FIELD VERIFY ALL DIMENSIONS

REV.	DESCRIPTION	DATE
1	1ST REVISION (RA)	06.19.21
2	2ND REVISION (ENGINEERING)	08.03.21
3	3RD REVISION (BULLET RESISTANT)	08.03.21
NO	DESCRIPTION	

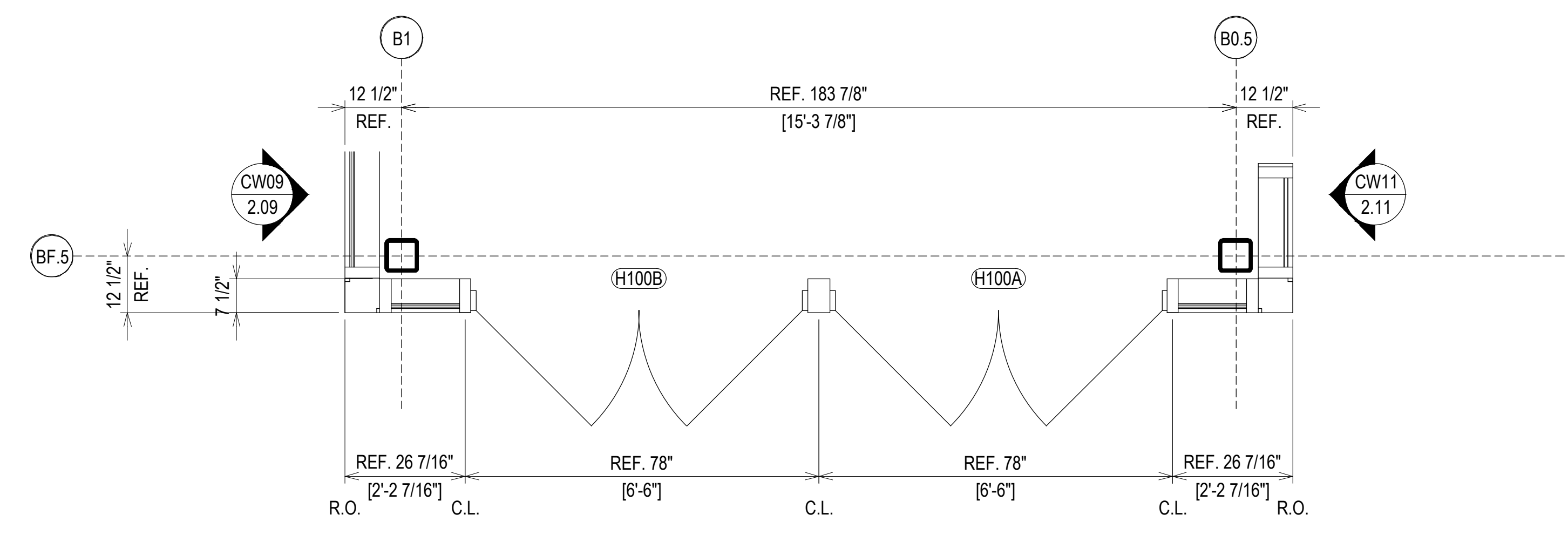
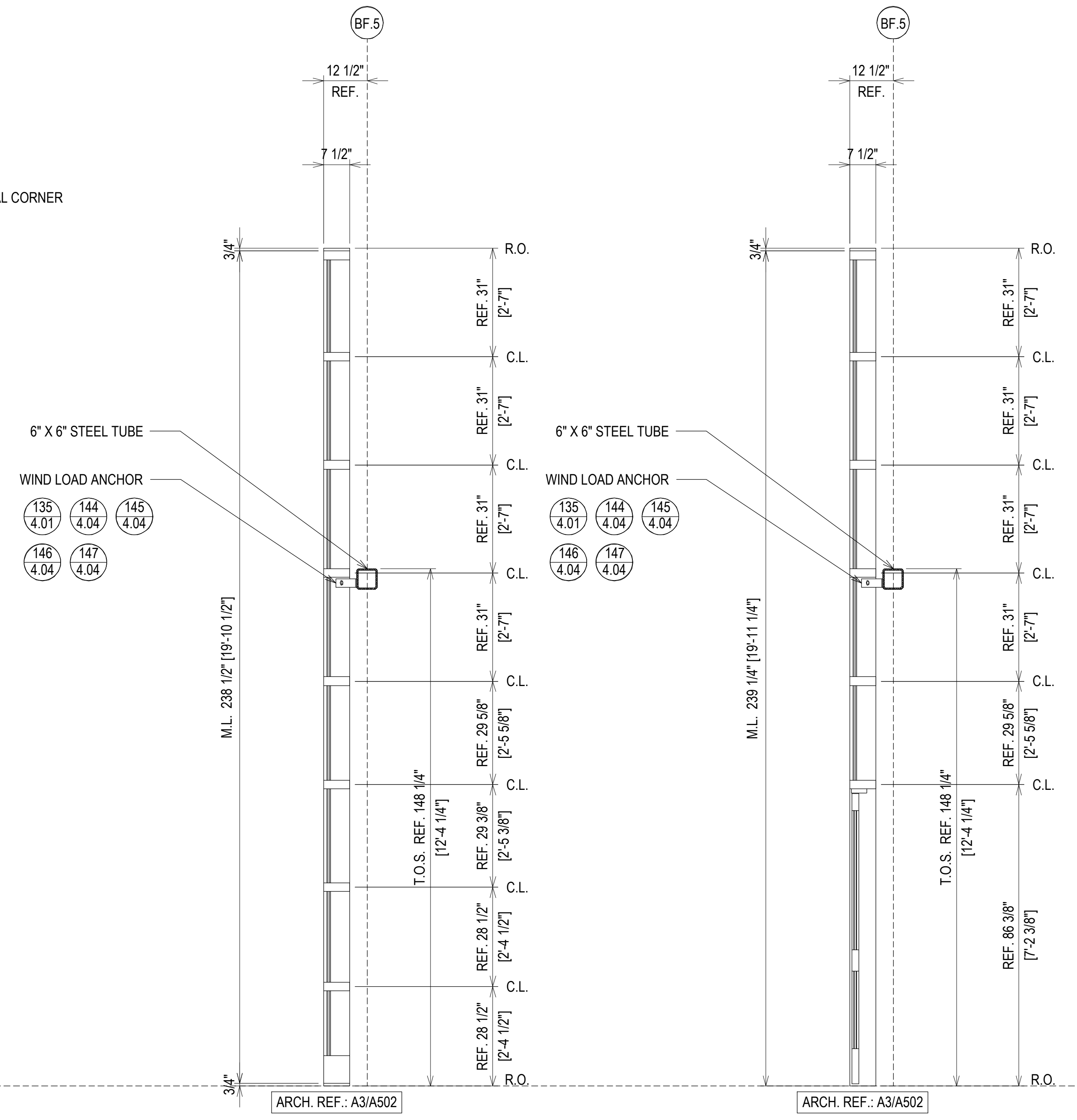
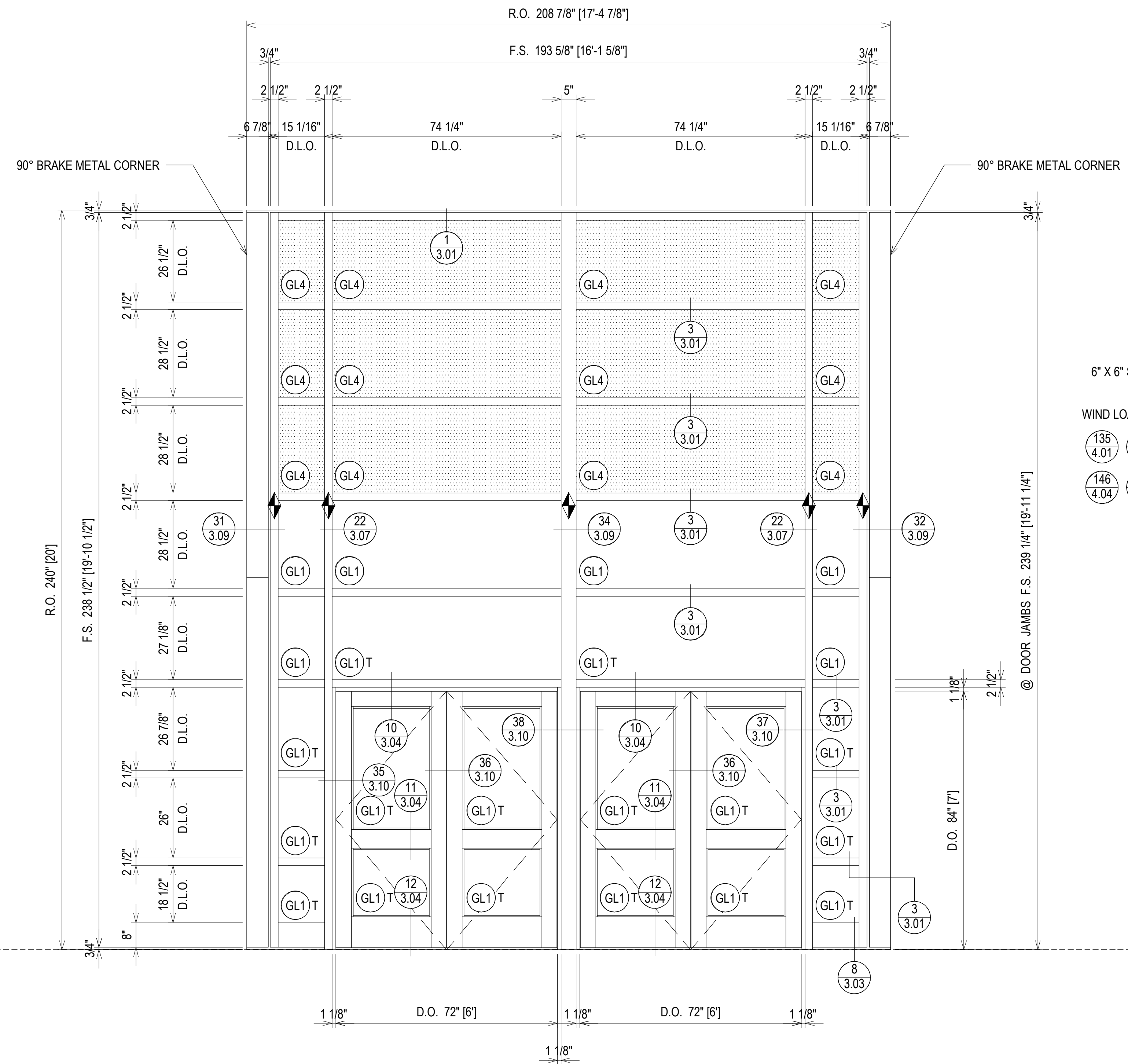
BETHEL HANBERRY ELEMENTARY SCHOOL
 EXTERIOR SUBMITTAL
 125 BONEY ROAD, BLYTHEWOOD, SC 29016



JOB #
 20-018

DRAWN BY:	DATE:
RA	04.23.21
CHECKED BY:	DATE:
EW	04.23.21

2.09



ELEVATION CW10
 SCALE: 1/2" = 1'-0"
 KAWNEER 1600 SYS. 1 - 2 1/2" X 7 1/2"
 EXTERIOR CURTAIN WALL
 1" INSULATED GLASS (FRONT SET)
 QUANTITY: 1

ERECTOR / G.C. NOTE:
 PLEASE FIELD VERIFY ALL DIMENSIONS

REV.	DESCRIPTION	DATE
1	1ST REVISION (RA)	06.19.21
2	2ND REVISION (ENGINEERING)	08.03.21
3	3RD REVISION (BULLET RESISTANT)	08.03.21
NO	DESCRIPTION	

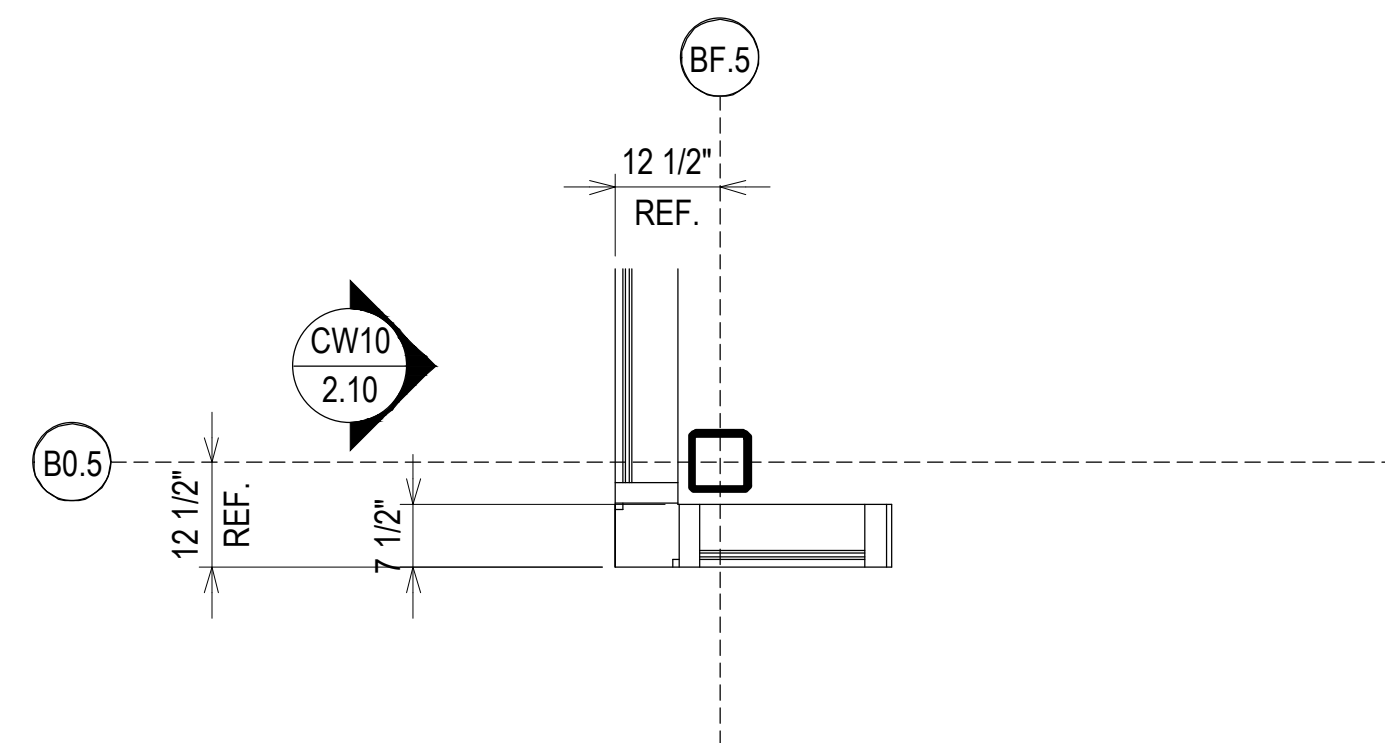
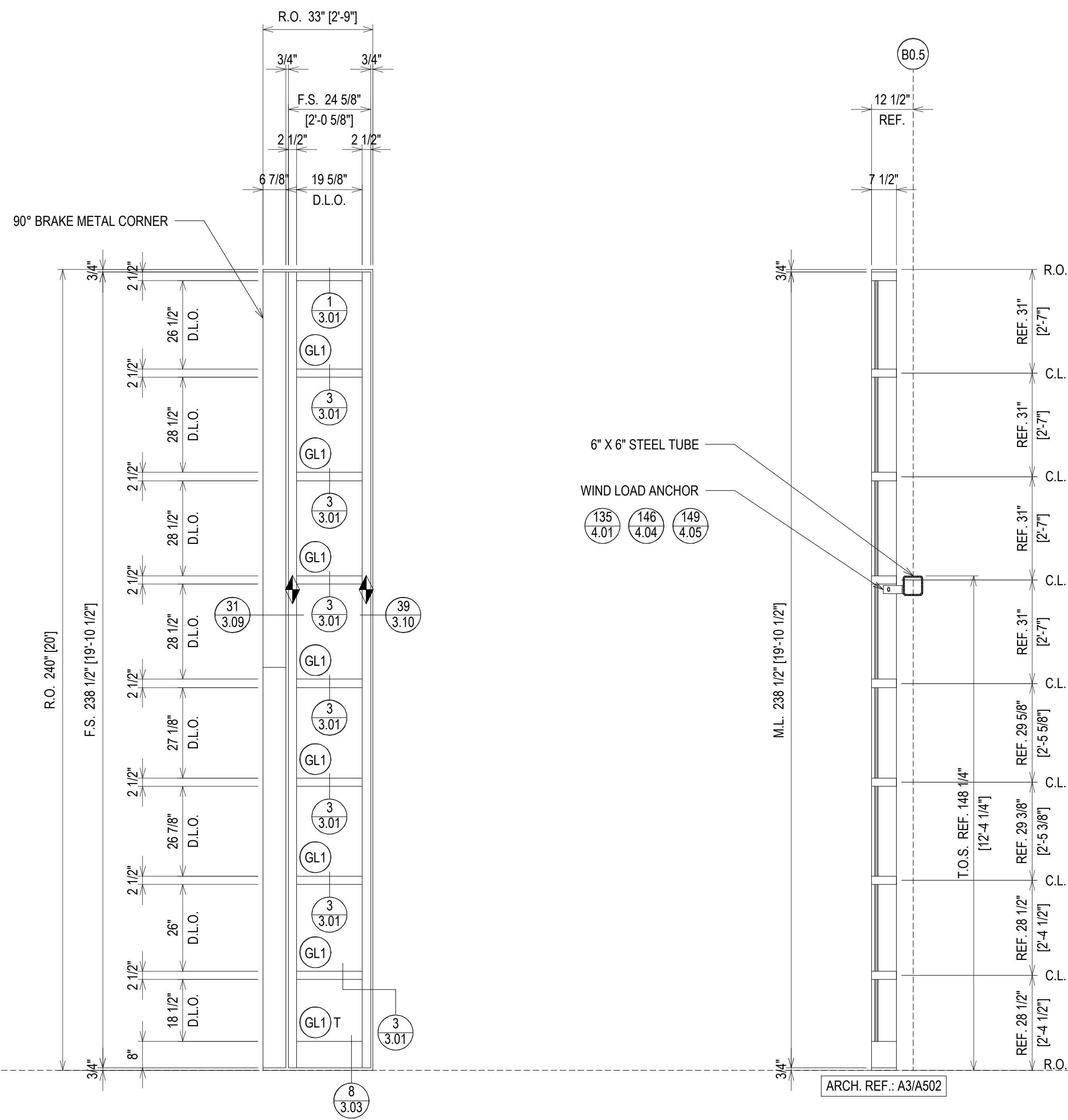
BETHEL HANBERRY ELEMENTARY SCHOOL
 EXTERIOR SUBMITTAL
 125 BONEY ROAD, BLYTHEWOOD, SC 29016



JOB #
 20-018

DRAWN BY:	DATE:
RA	04.23.21
CHECKED BY:	DATE:
EW	04.23.21

2.10



ELEVATION **CW11**
 SCALE: 1/2" = 1'-0"
 KAWNEER 1600 SYS. 1 - 2 1/2" X 7 1/2"
 EXTERIOR CURTAIN WALL
 1" INSULATED GLASS (FRONT SET)
 QUANTITY: 1

REV.	DESCRIPTION	DATE
1	1ST REVISION (RA)	06.19.21
2	2ND REVISION (ENGINEERING)	08.03.21
3	3RD REVISION (ALLET REVISION)	08.03.21
NO	DESCRIPTION	

BETHEL HANBERRY ELEMENTARY SCHOOL
 EXTERIOR SUBMITTAL
 125 BONEY ROAD, BLYTHEWOOD, SC 29016

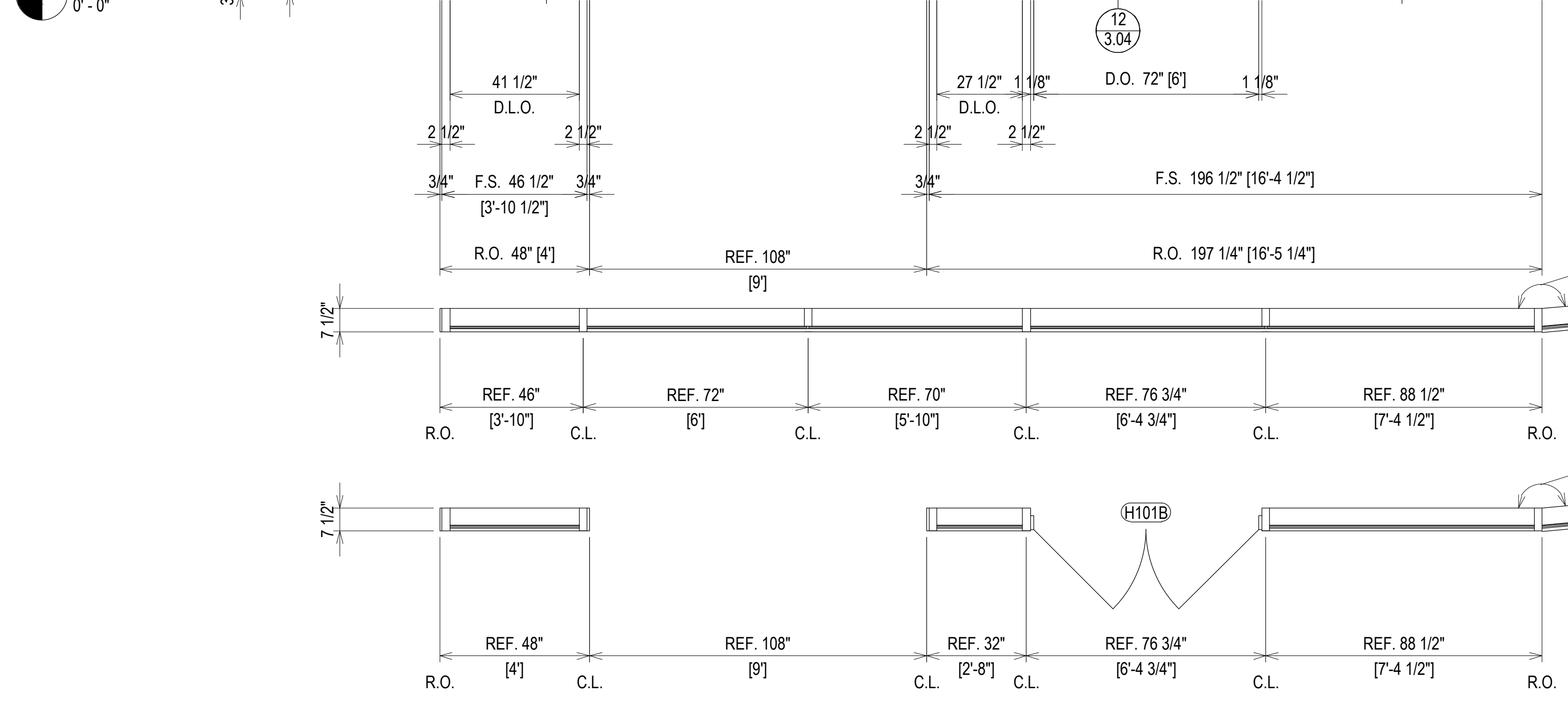
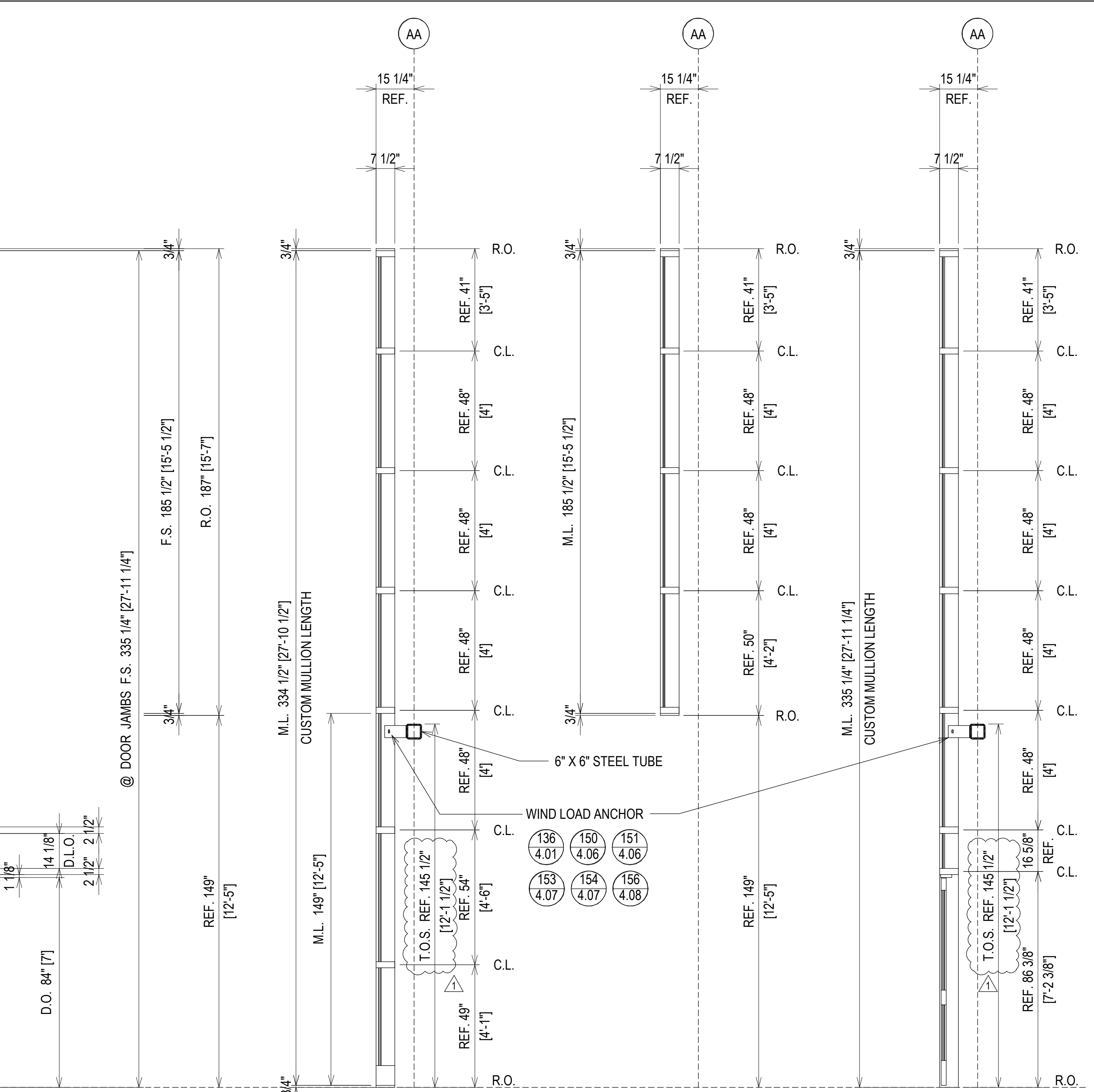
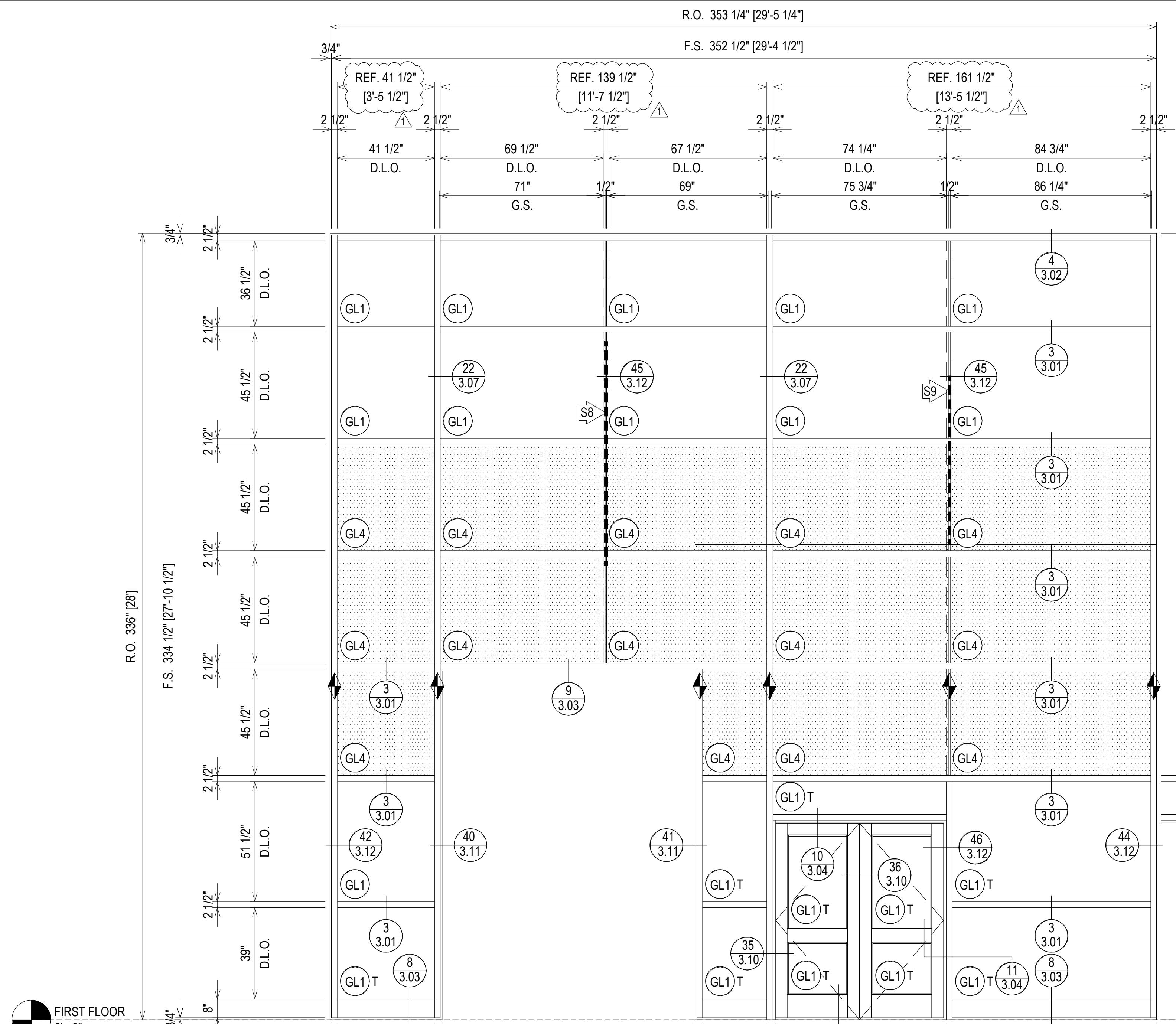


JOB #
 20-018

DRAWN BY:	DATE:
RA	04.23.21
CHECKED BY:	DATE:
EW	04.23.21

ERECTOR / G.C. NOTE:
 PLEASE FIELD VERIFY ALL DIMENSIONS

2.11



ARCH. NOTE: THIS CORNER CAN BE ASSEMBLED WITH JUST ONE MULLION INSTEAD OF TWO. PLEASE ADVISE.

- 162-027 MULLION WITH 162-301 STEEL (8'-0" LENGTH) LOCATED 44" TO 140" FROM BOTTOM OF THE MULLION
- 162-027 MULLION WITH 162-301 STEEL (8'-0" LENGTH) LOCATED 44" TO 140" FROM BOTTOM OF THE MULLION

ELEVATION CW12
 SCALE: 3/8" = 1'-0"
 KAWNEER 1600 SYS. 1 - 2 1/2" X 7 1/2"
 EXTERIOR CURTAIN WALL
 1" INSULATED GLASS (FRONT SET)
 QUANTITY: 1

ERECTOR / G.C. NOTE:
 PLEASE FIELD VERIFY ALL DIMENSIONS

REV.	DESCRIPTION	DATE
1	1ST REVISION (RA)	06.19.21
2	2ND REVISION (ENGINEERING)	08.03.21
3	3RD REVISION (ALLET RESISTANT)	08.03.21
NO	DESCRIPTION	

BETHEL HANBERRY ELEMENTARY SCHOOL
 EXTERIOR SUBMITTAL
 125 BONEY ROAD, BLYTHEWOOD, SC 29016

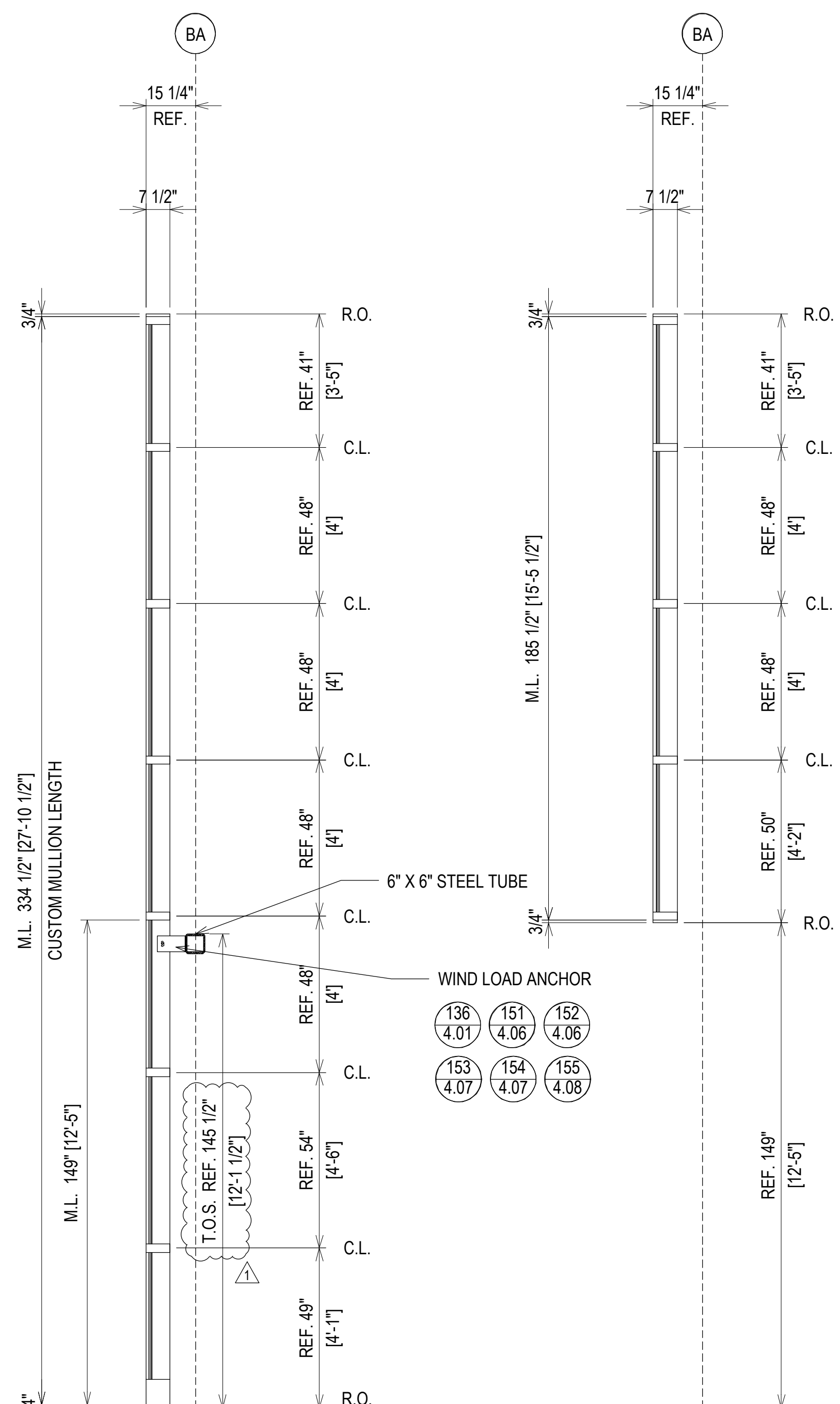
GRAHAM-HODGE ASSOCIATES INC.

JOB #
 20-018

DRAWN BY:	DATE:
RA	04.23.21
CHECKED BY:	DATE:
EW	04.23.21

ERECTOR / G.C. NOTE:
 PLEASE FIELD VERIFY ALL DIMENSIONS

2.12



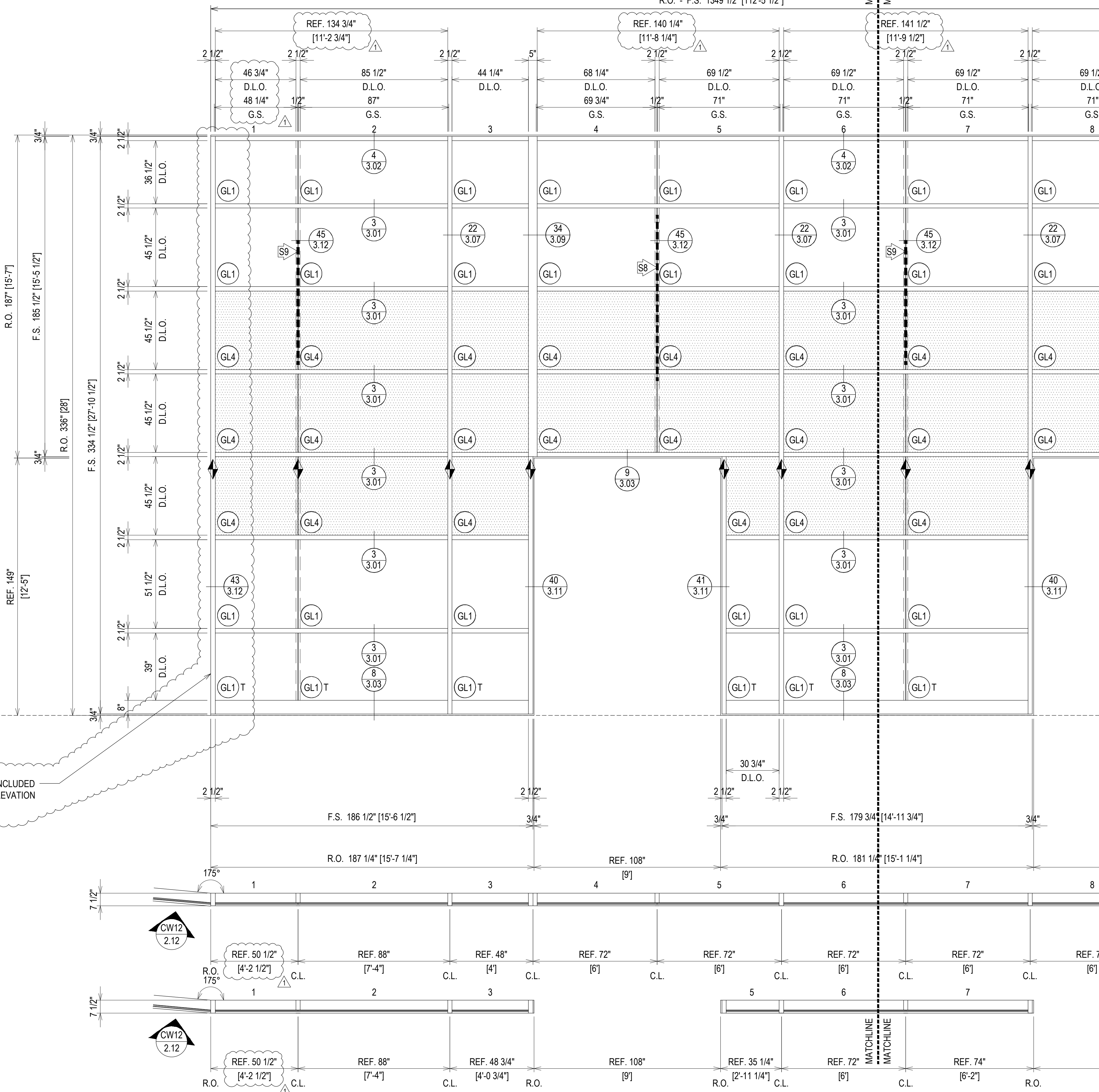
WIND LOAD ANCHOR

136 4.01	151 4.06	152 4.06
153 4.07	154 4.07	155 4.08

- S8 162-027 MULLION WITH 162-301 STEEL (8'-0" LENGTH) LOCATED 44" TO 140" FROM BOTTOM OF THE MULLION
- S9 162-027 MULLION WITH 162-301 STEEL (8'-0" LENGTH) LOCATED 44" TO 140" FROM BOTTOM OF THE MULLION

ELEVATION CW13
 SCALE: 3/8" = 1'-0"
 KAWNEER 1600 SYS. 1 - 2 1/2" X 7 1/2"
 EXTERIOR CURTAIN WALL
 1" INSULATED GLASS (FRONT SET)
 QUANTITY: 1

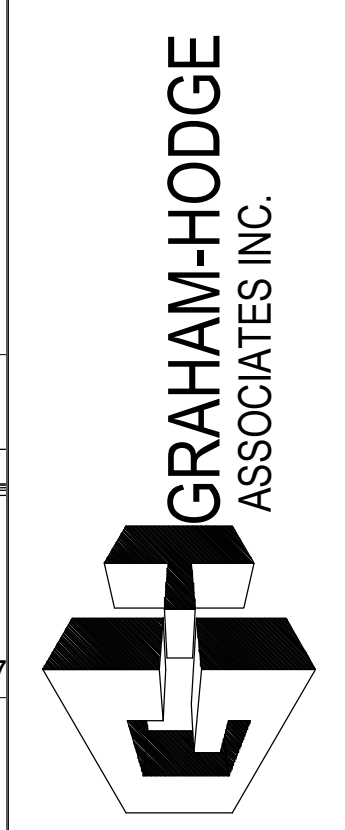
ERECTOR / G.C. NOTE:
 PLEASE FIELD VERIFY ALL DIMENSIONS



NOTE: CORNER MULLION IS INCLUDED ON PREVIOUS ELEVATION

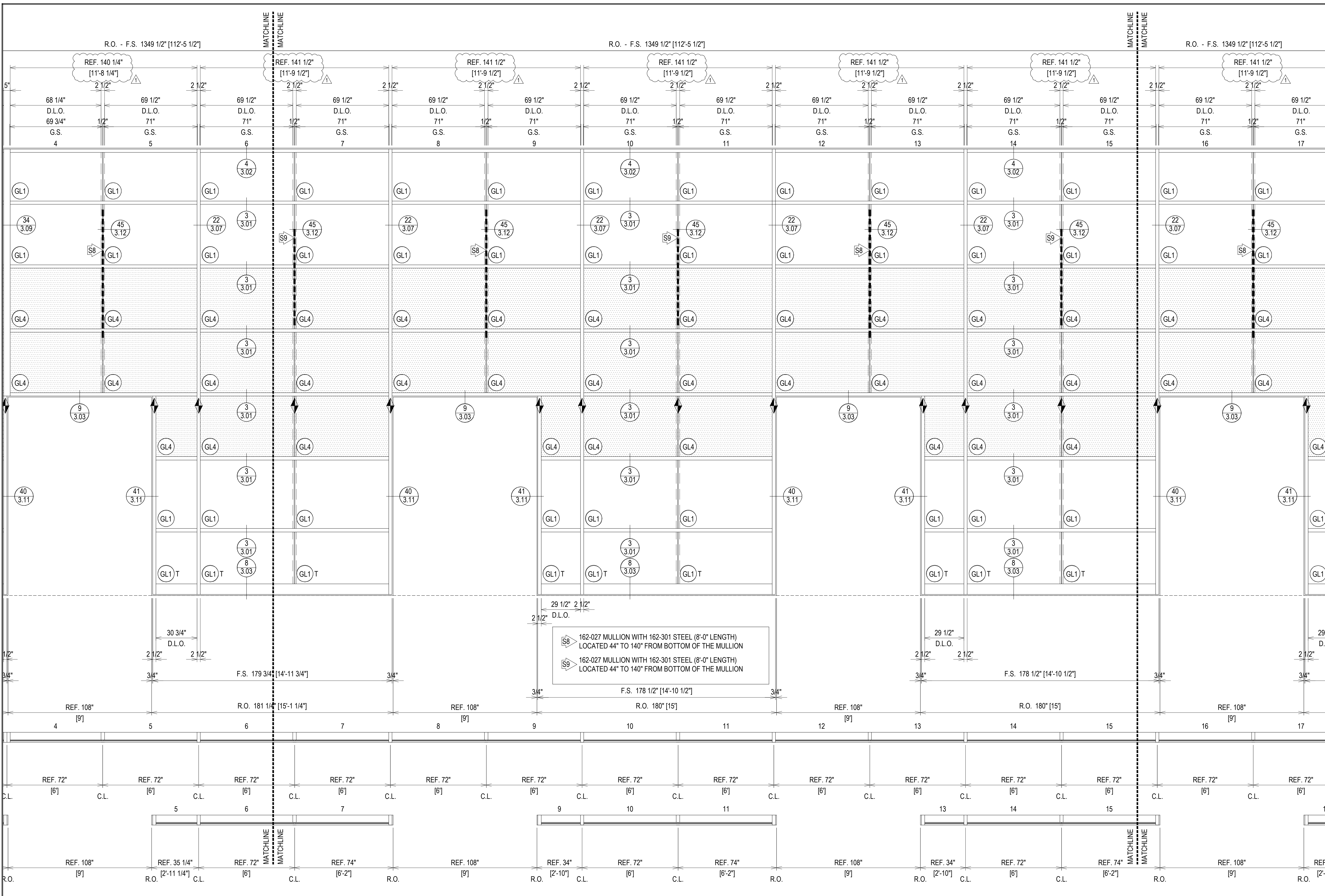
REV.	DESCRIPTION	DATE
1	1ST REVISION (RA)	06.19.21
2	2ND REVISION (ENGINEERING)	08.03.21
3	3RD REVISION (MATERIAL RESISTANT)	08.03.21
NO	DESCRIPTION	

BETHEL HANBERRY ELEMENTARY SCHOOL
 EXTERIOR SUBMITTAL
 125 BONEY ROAD, BLYTHEWOOD, SC 29016



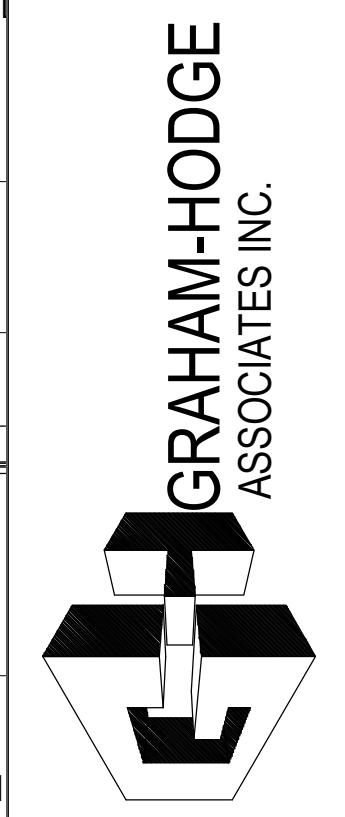
JOB # 20-018

DRAWN BY:	DATE:
RA	04.23.21
CHECKED BY:	DATE:
EW	04.23.21



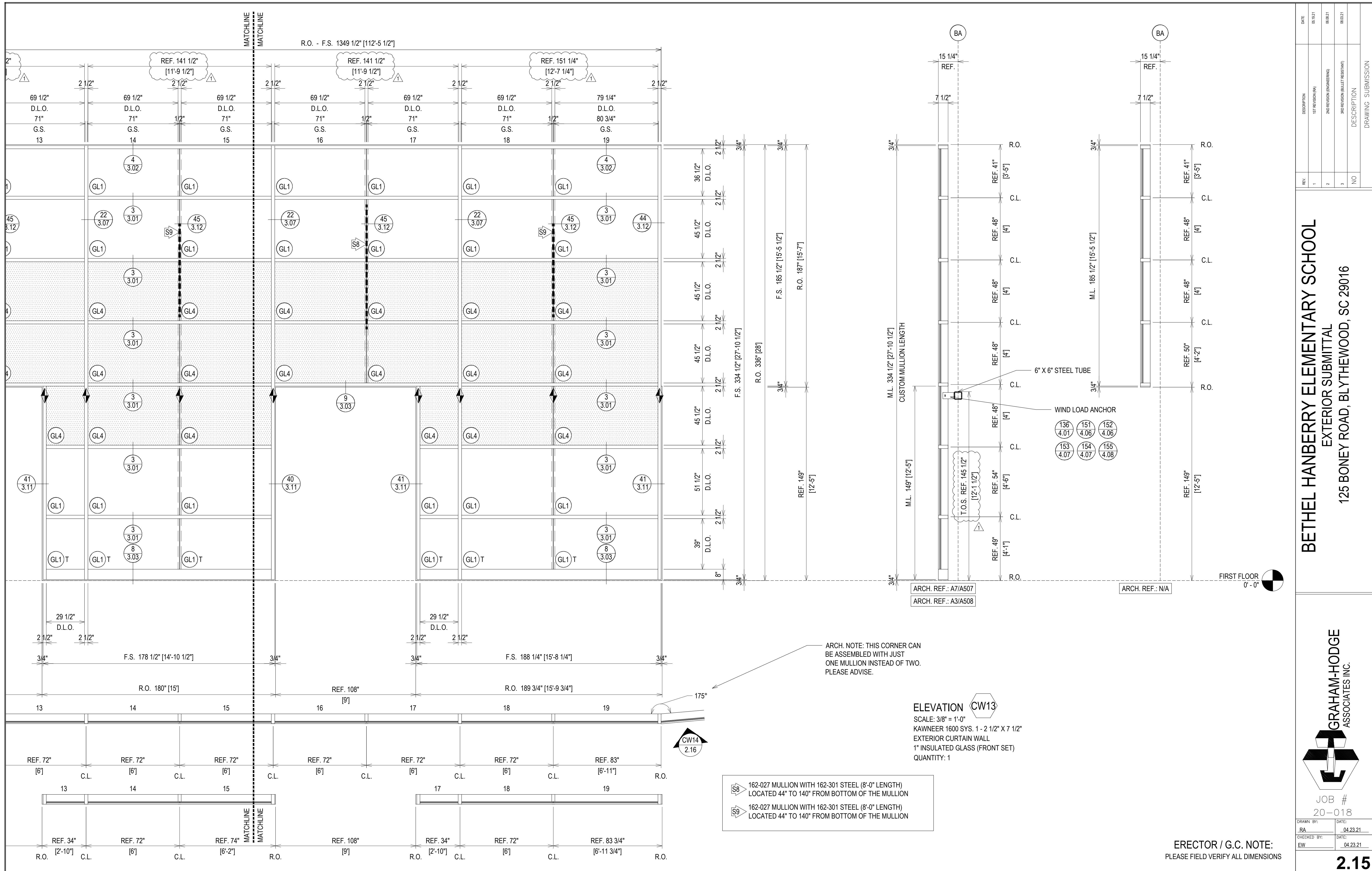
DATE	06/19/21
DESCRIPTION	1ST REVISION (RA)
REV	1
DESCRIPTION	2ND REVISION (ENGINEERING)
REV	2
DESCRIPTION	3RD REVISION (MILLER RESISTANT)
REV	3
DESCRIPTION	DRAWING SUBMISSION
REV	NO

BETHEL HANBERRY ELEMENTARY SCHOOL
 EXTERIOR SUBMITTAL
 125 BONEY ROAD, BLYTHEWOOD, SC 29016



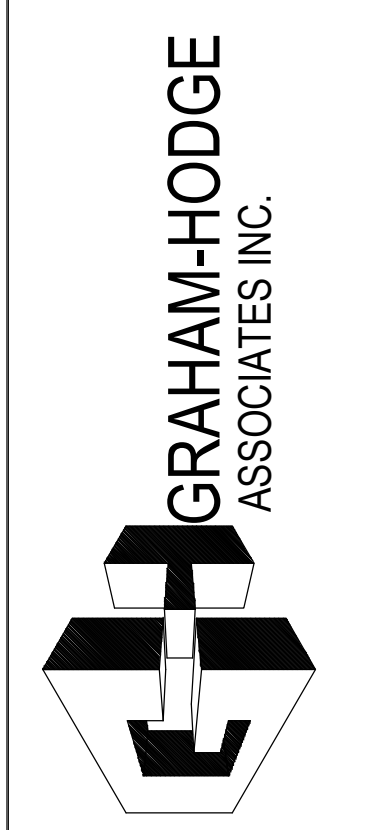
JOB # 20-018

DRAWN BY:	DATE:
RA	04.23.21
CHECKED BY:	DATE:
EW	04.23.21



REV.	DESCRIPTION	DATE
1	1ST REVISION (RA)	06/19/21
2	2ND REVISION (ENGINEERING)	08/02/21
3	3RD REVISION (BULLET RESISTANT)	08/02/21
NO	DESCRIPTION	

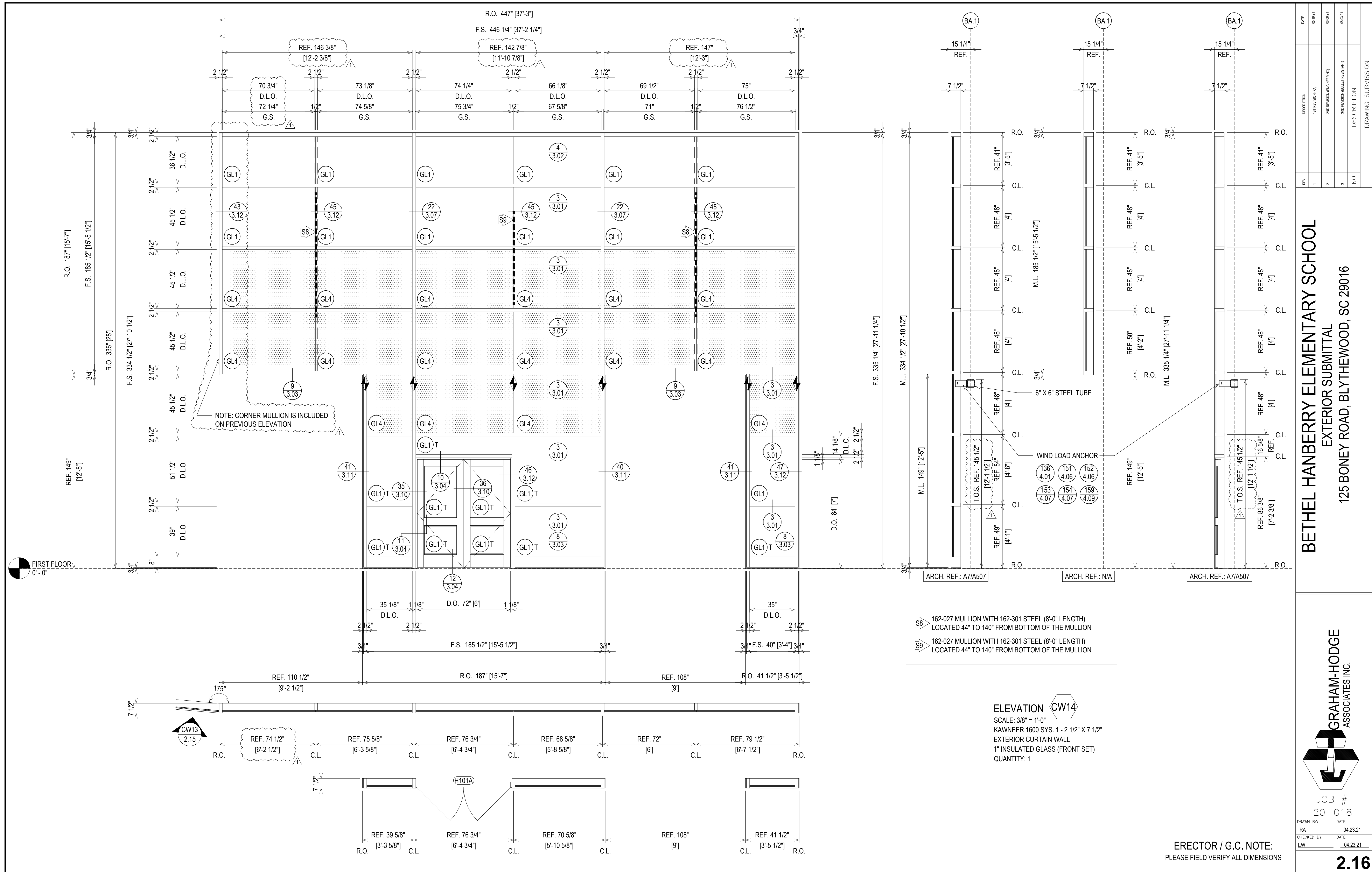
BETHEL HANBERRY ELEMENTARY SCHOOL
 EXTERIOR SUBMITTAL
 125 BONEY ROAD, BLYTHEWOOD, SC 29016



JOB #
20-018

DRAWN BY:	DATE:
RA	04/23/21
CHECKED BY:	DATE:
EW	04/23/21

ERECTOR / G.C. NOTE:
 PLEASE FIELD VERIFY ALL DIMENSIONS



REV.	DESCRIPTION	DATE
1	1ST REVISION (RA)	06.19.21
2	2ND REVISION (ENGINEERING)	08.03.21
3	3RD REVISION (MULLION RESISTANT)	08.03.21
NO	DESCRIPTION	

BETHEL HANBERRY ELEMENTARY SCHOOL
EXTERIOR SUBMITTAL
 125 BONEY ROAD, BLYTHEWOOD, SC 29016

GRAHAM-HODGE ASSOCIATES INC.

JOB #
20-018

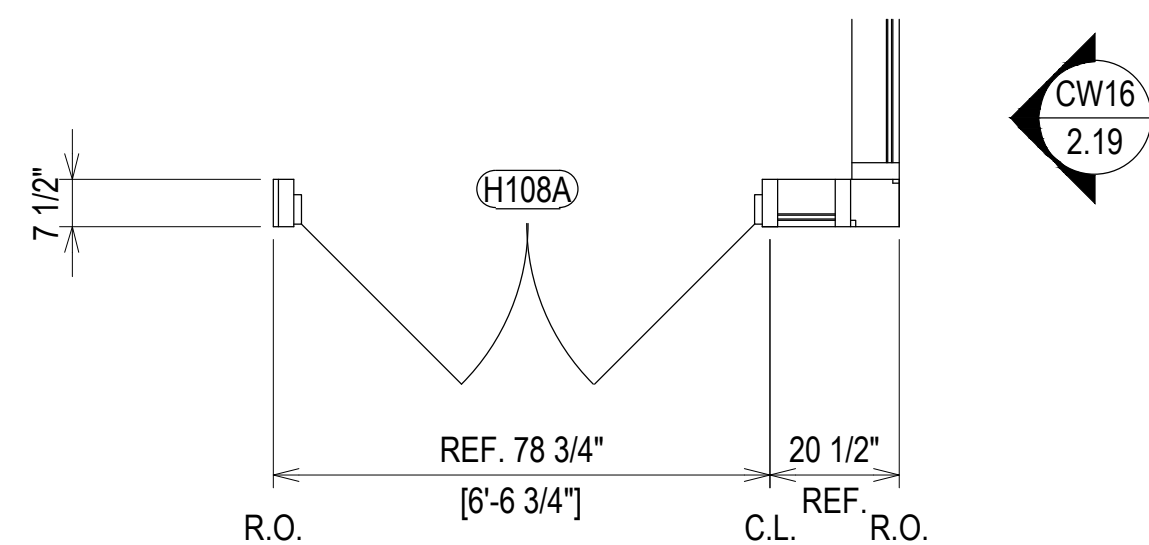
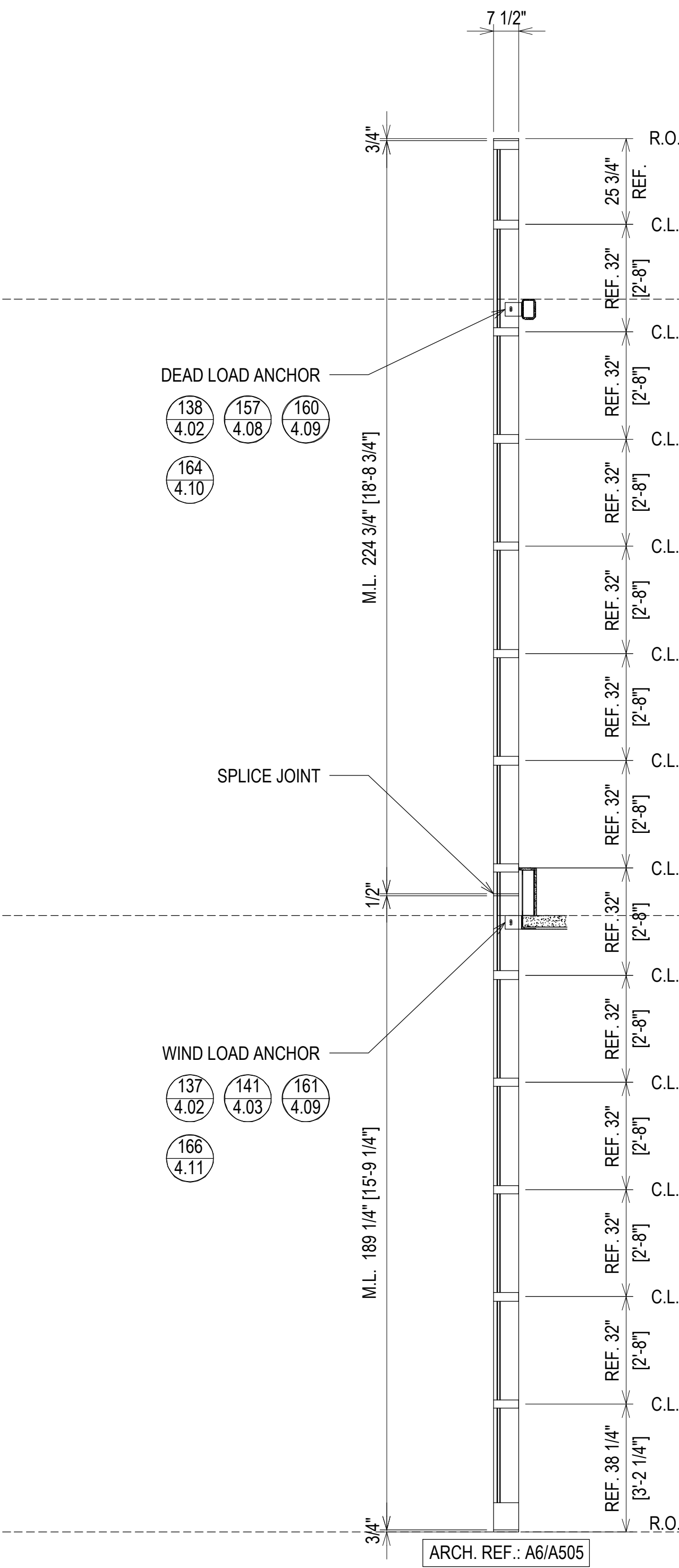
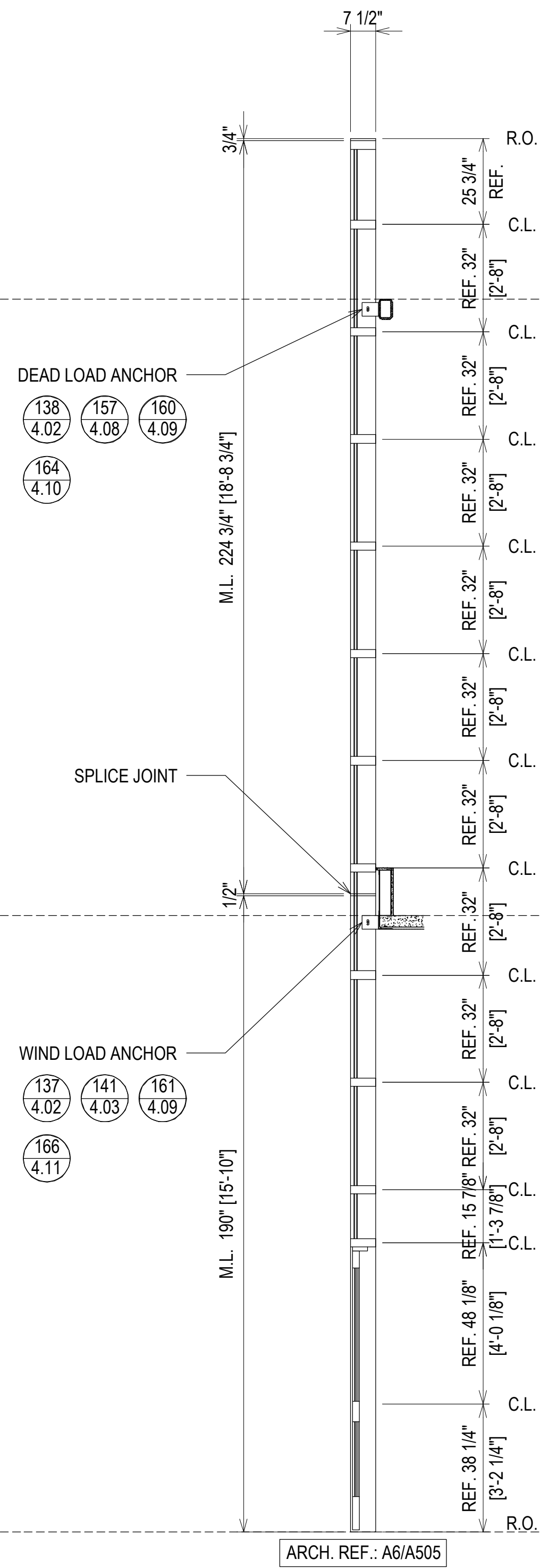
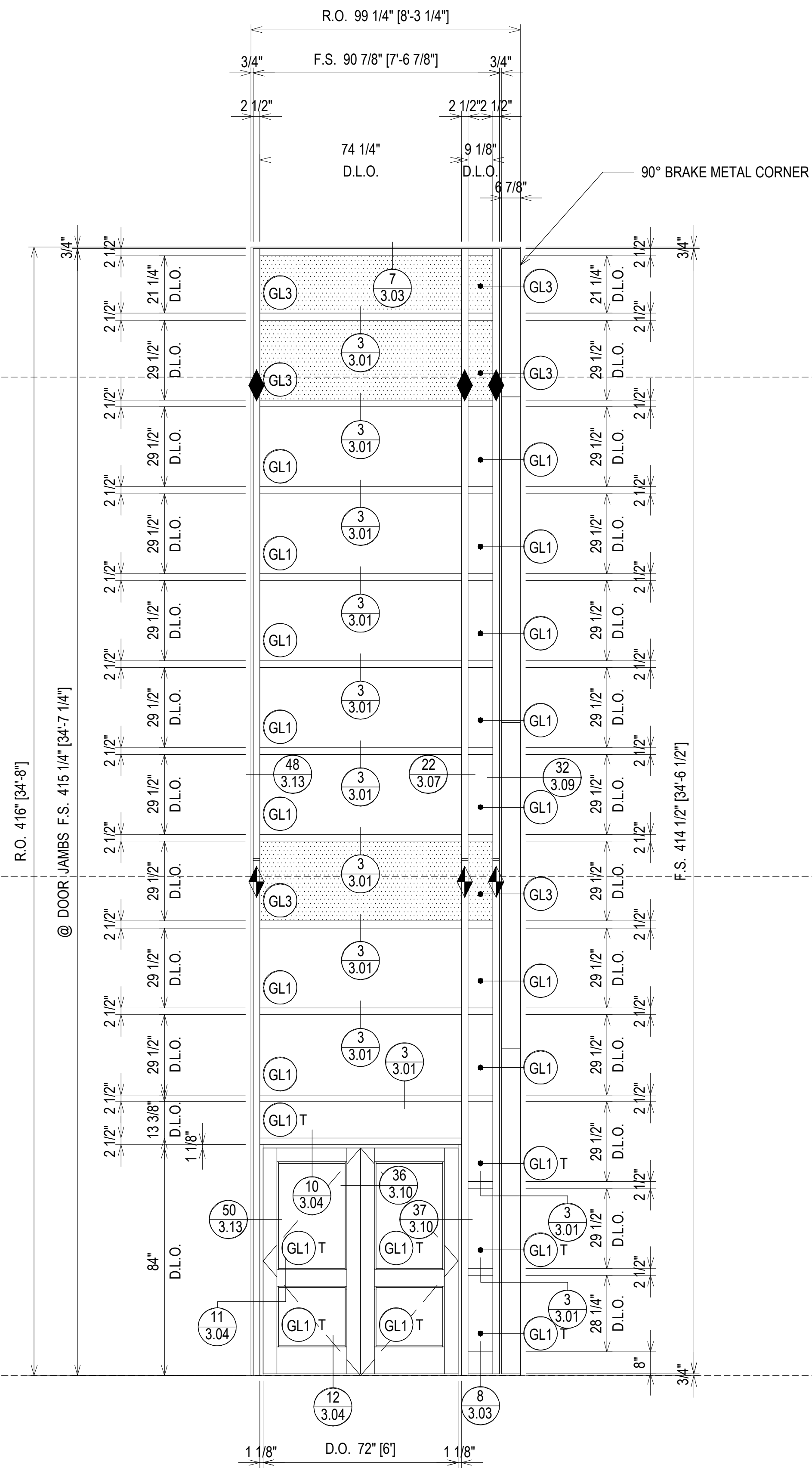
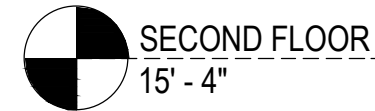
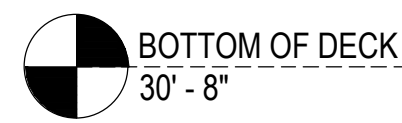
DRAWN BY: RA DATE: 04.23.21
 CHECKED BY: DATE: 04.23.21
 EW

ERECTOR / G.C. NOTE:
PLEASE FIELD VERIFY ALL DIMENSIONS

2.16

- S8 162-027 MULLION WITH 162-301 STEEL (8'-0" LENGTH) LOCATED 44" TO 140" FROM BOTTOM OF THE MULLION
- S9 162-027 MULLION WITH 162-301 STEEL (8'-0" LENGTH) LOCATED 44" TO 140" FROM BOTTOM OF THE MULLION

ELEVATION CW14
 SCALE: 3/8" = 1'-0"
 KAWNEER 1600 SYS. 1 - 2 1/2" X 7 1/2"
 EXTERIOR CURTAIN WALL
 1" INSULATED GLASS (FRONT SET)
 QUANTITY: 1



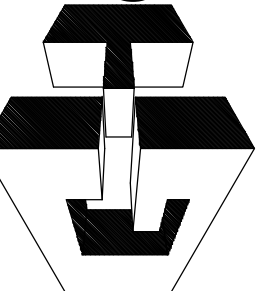
ELEVATION CW15
 SCALE: 3/8" = 1'-0"
 KAWNEER 1600 SYS. 1 - 2 1/2" X 7 1/2"
 EXTERIOR CURTAIN WALL
 1" INSULATED GLASS (FRONT SET)
 QUANTITY: 1

ERECTOR / G.C. NOTE:
 PLEASE FIELD VERIFY ALL DIMENSIONS

REV.	DESCRIPTION	DATE
1	1ST REVISION (RA)	06.19.21
2	2ND REVISION (ENGINEERING)	08.02.21
3	3RD REVISION (BULLET RESISTANT)	08.03.21
NO	DESCRIPTION	

BETHEL HANBERRY ELEMENTARY SCHOOL
 EXTERIOR SUBMITTAL
 125 BONEY ROAD, BLYTHEWOOD, SC 29016

GRAHAM-HODGE
 ASSOCIATES INC.

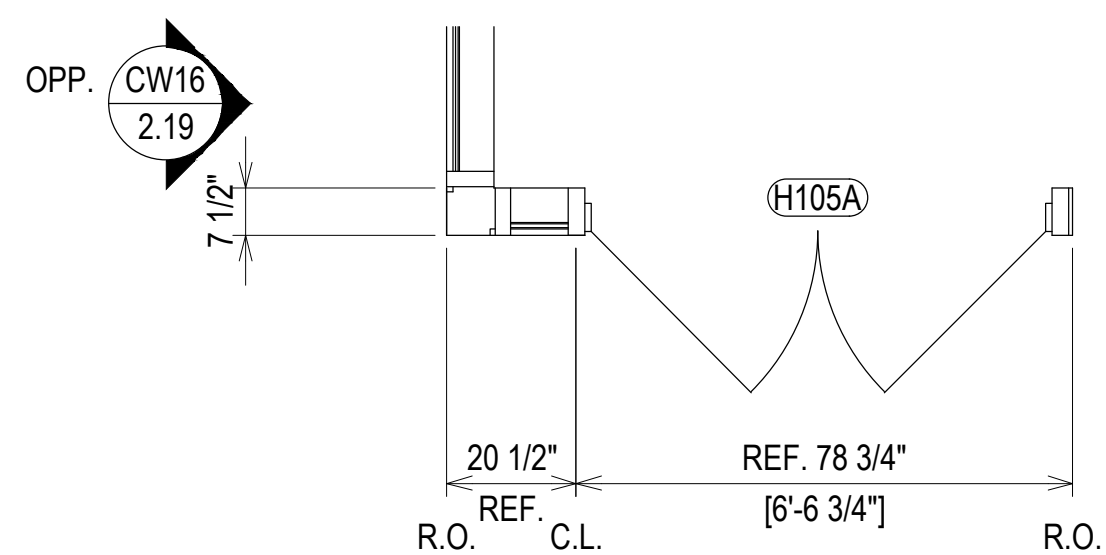
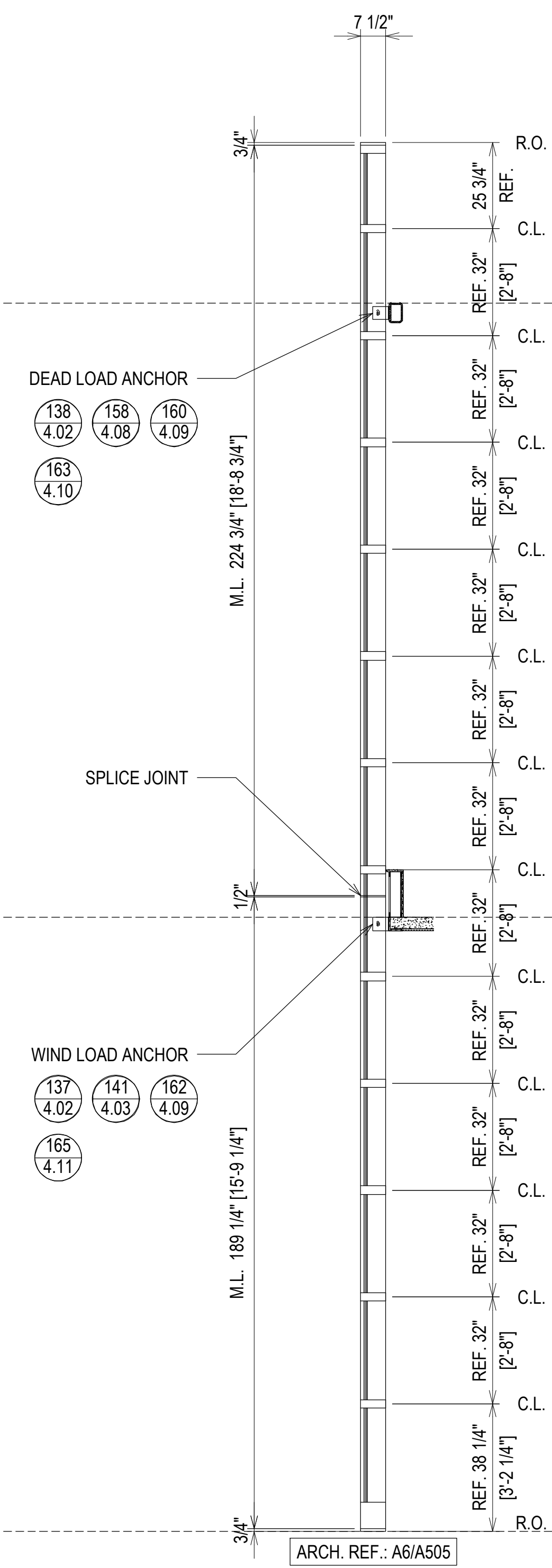
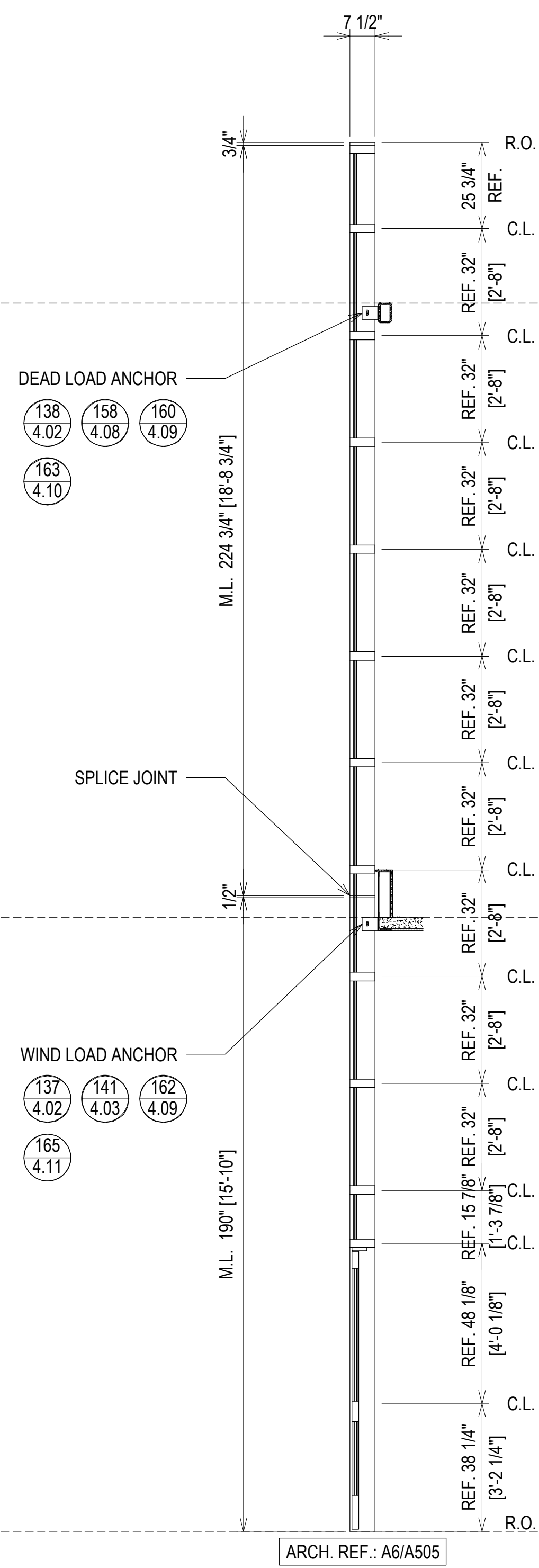
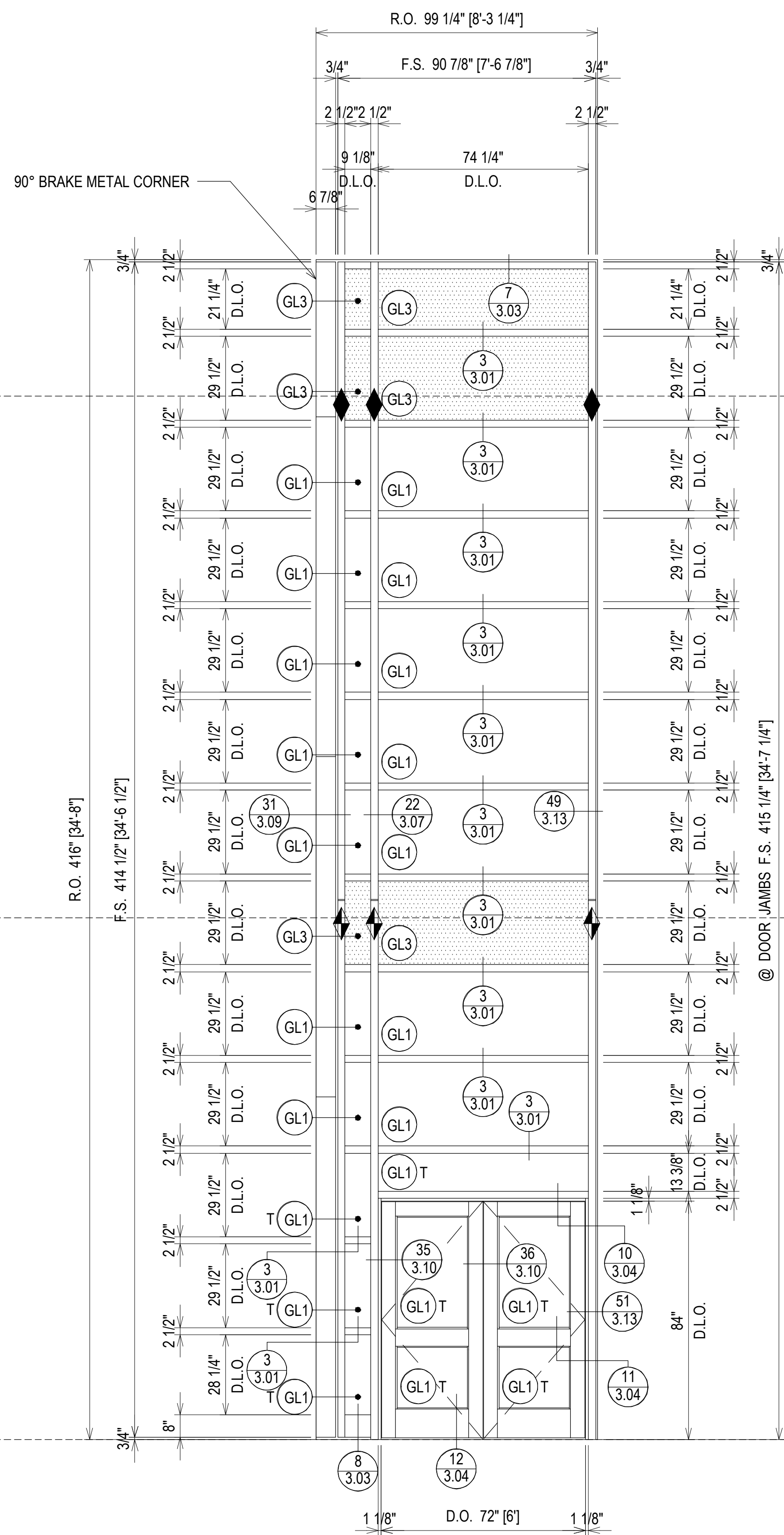
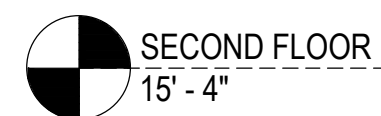
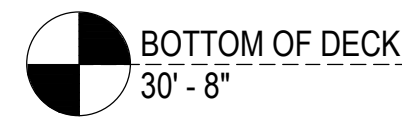


JOB #
 20-018

DRAWN BY:	DATE:
RA	04.23.21
CHECKED BY:	DATE:
EW	04.23.21

2.17

DRAWING SUBMISSION



ELEVATION **CW15** OPP.
 SCALE: 3/8" = 1'-0"
 KAWNEER 1600 SYS. 1 - 2 1/2" X 7 1/2"
 EXTERIOR CURTAIN WALL
 1" INSULATED GLASS (FRONT SET)
 QUANTITY: 1

ERECTOR / G.C. NOTE:
 PLEASE FIELD VERIFY ALL DIMENSIONS

REV.	DESCRIPTION	DATE
1	1ST REVISION (RA)	06.19.21
2	2ND REVISION (ENGINEERING)	08.03.21
3	3RD REVISION (BULLET RESISTANT)	08.03.21
NO	DESCRIPTION	

BETHEL HANBERRY ELEMENTARY SCHOOL
 EXTERIOR SUBMITTAL
 125 BONEY ROAD, BLYTHEWOOD, SC 29016

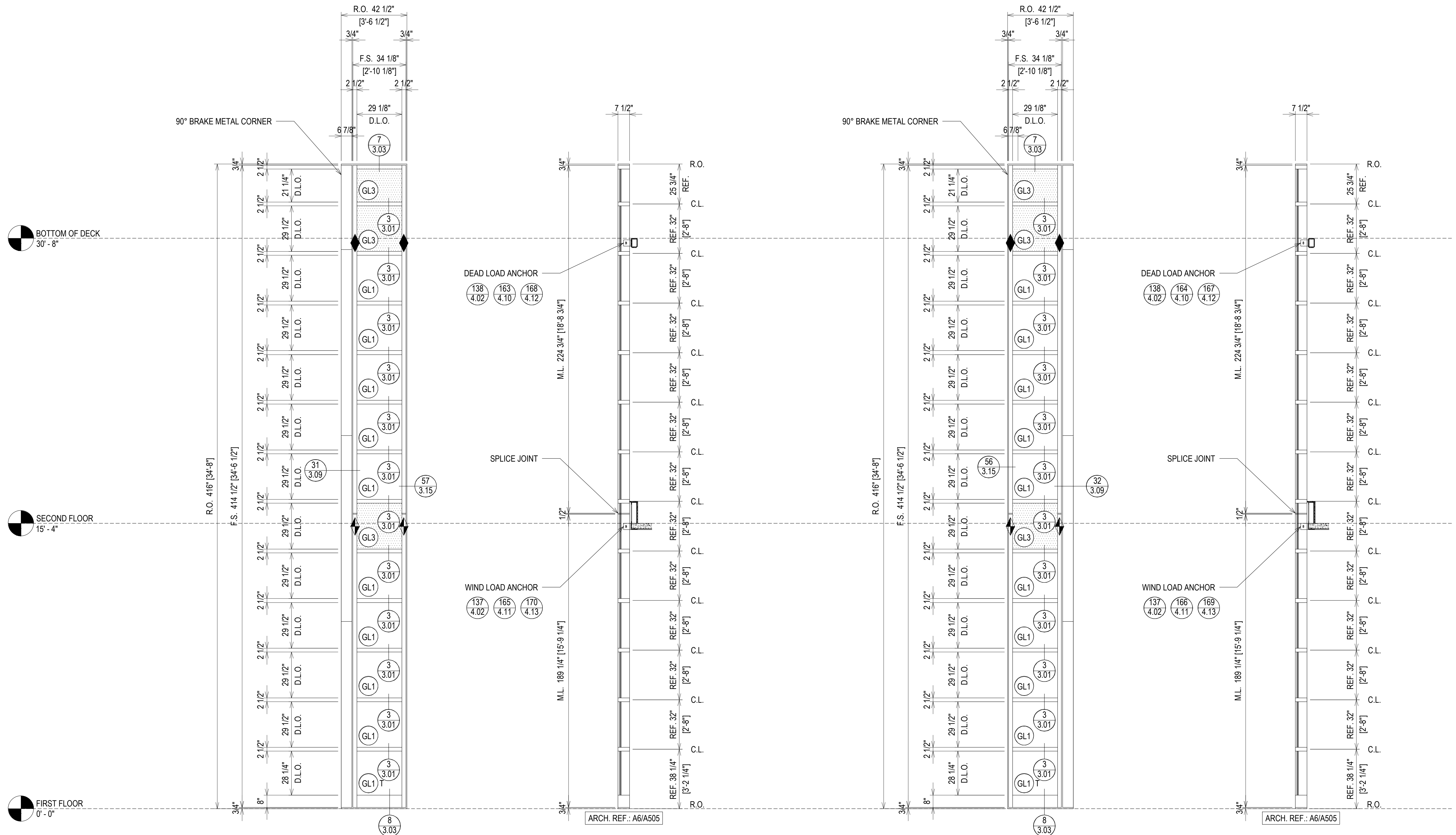
GRAHAM-HODGE
 ASSOCIATES INC.

JOB #
20-018

DRAWN BY:	DATE:
RA	04.23.21
CHECKED BY:	DATE:
EW	04.23.21

2.18

DRAWING SUBMISSION



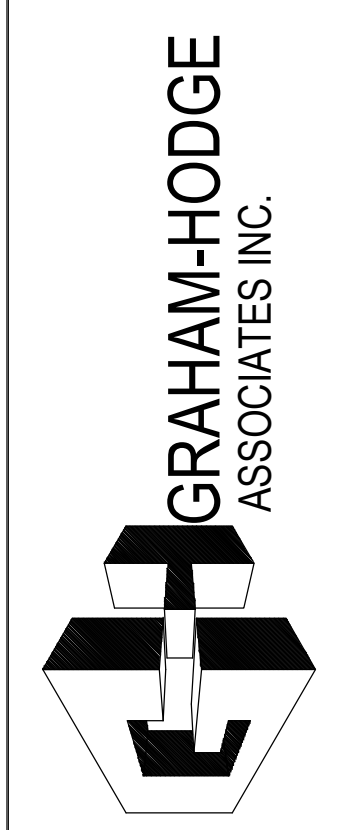
ELEVATION CW16
 SCALE: 3/8" = 1'-0"
 KAWNEER 1600 SYS. 1 - 2 1/2" X 7 1/2"
 EXTERIOR CURTAIN WALL
 1" INSULATED GLASS (FRONT SET)
 QUANTITY: 1

ELEVATION CW16 OPP.
 SCALE: 3/8" = 1'-0"
 KAWNEER 1600 SYS. 1 - 2 1/2" X 7 1/2"
 EXTERIOR CURTAIN WALL
 1" INSULATED GLASS (FRONT SET)
 QUANTITY: 1

ERECTOR / G.C. NOTE:
 PLEASE FIELD VERIFY ALL DIMENSIONS

REV.	DESCRIPTION	DATE
1	1ST REVISION (RA)	06.15.21
2	2ND REVISION (ENGINEERING)	08.03.21
3	3RD REVISION (BULLET RESISTANT)	08.03.21
NO	DESCRIPTION	

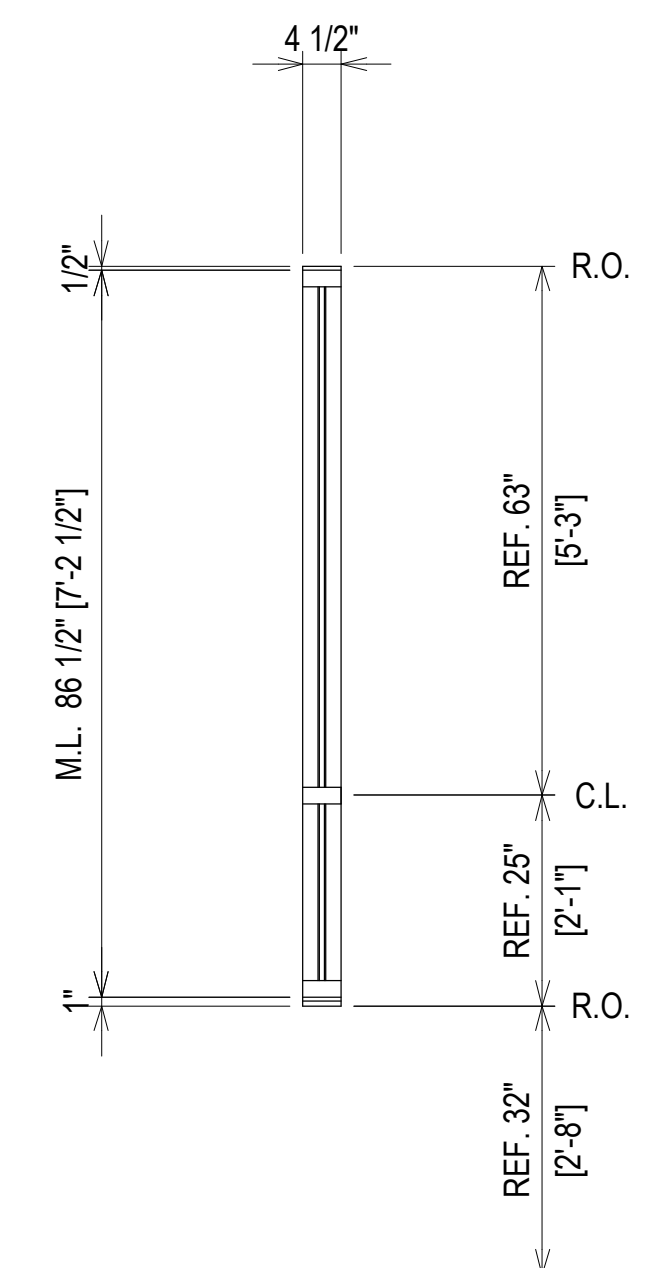
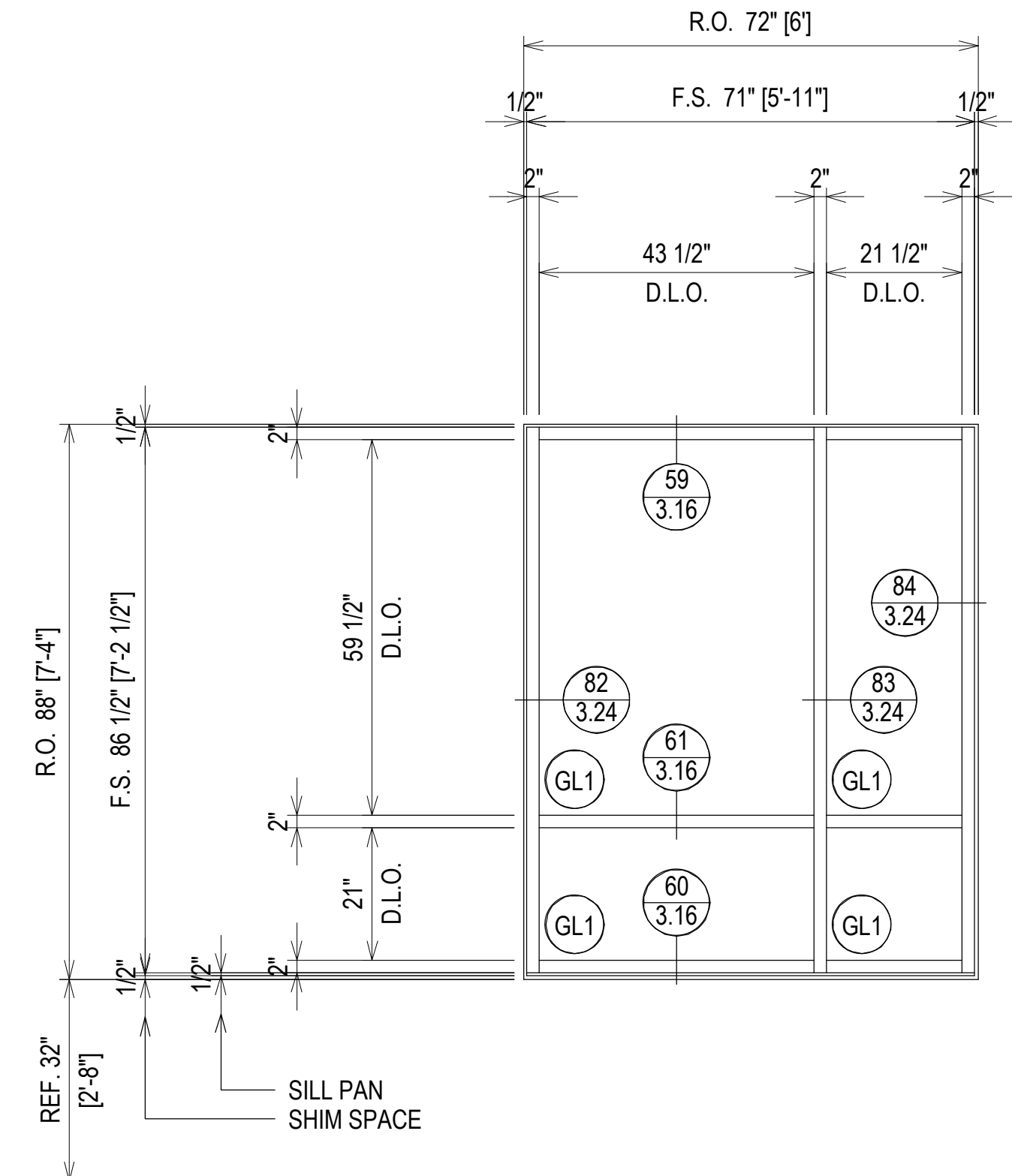
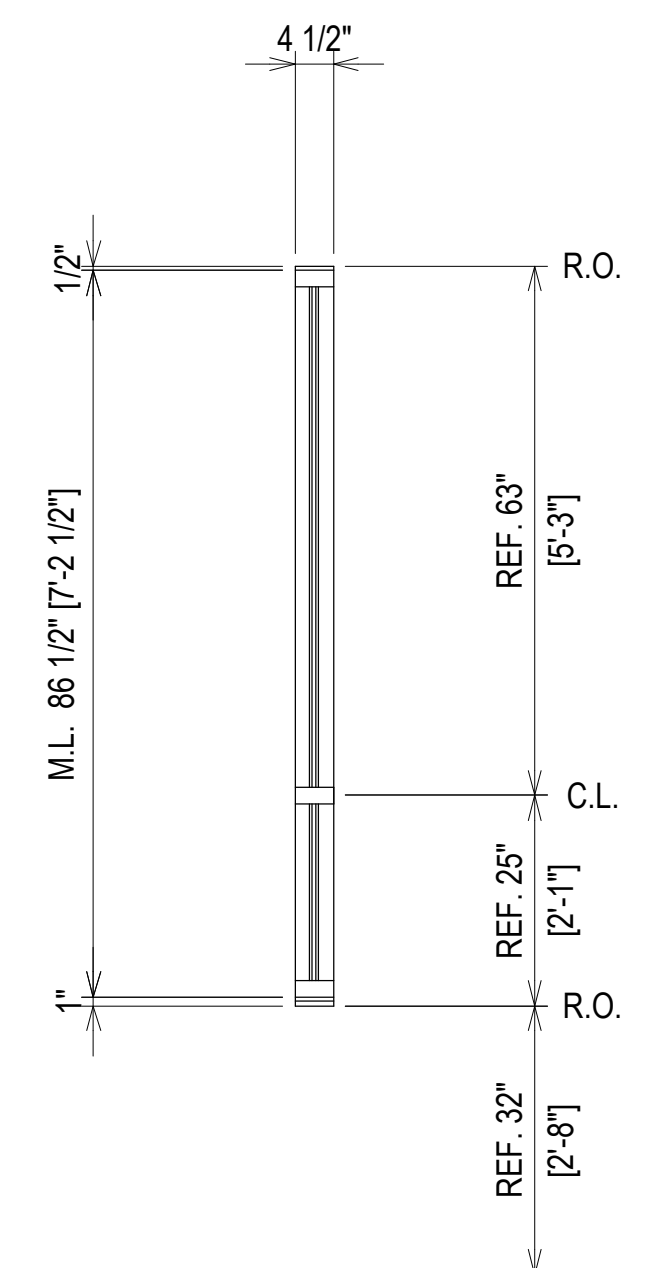
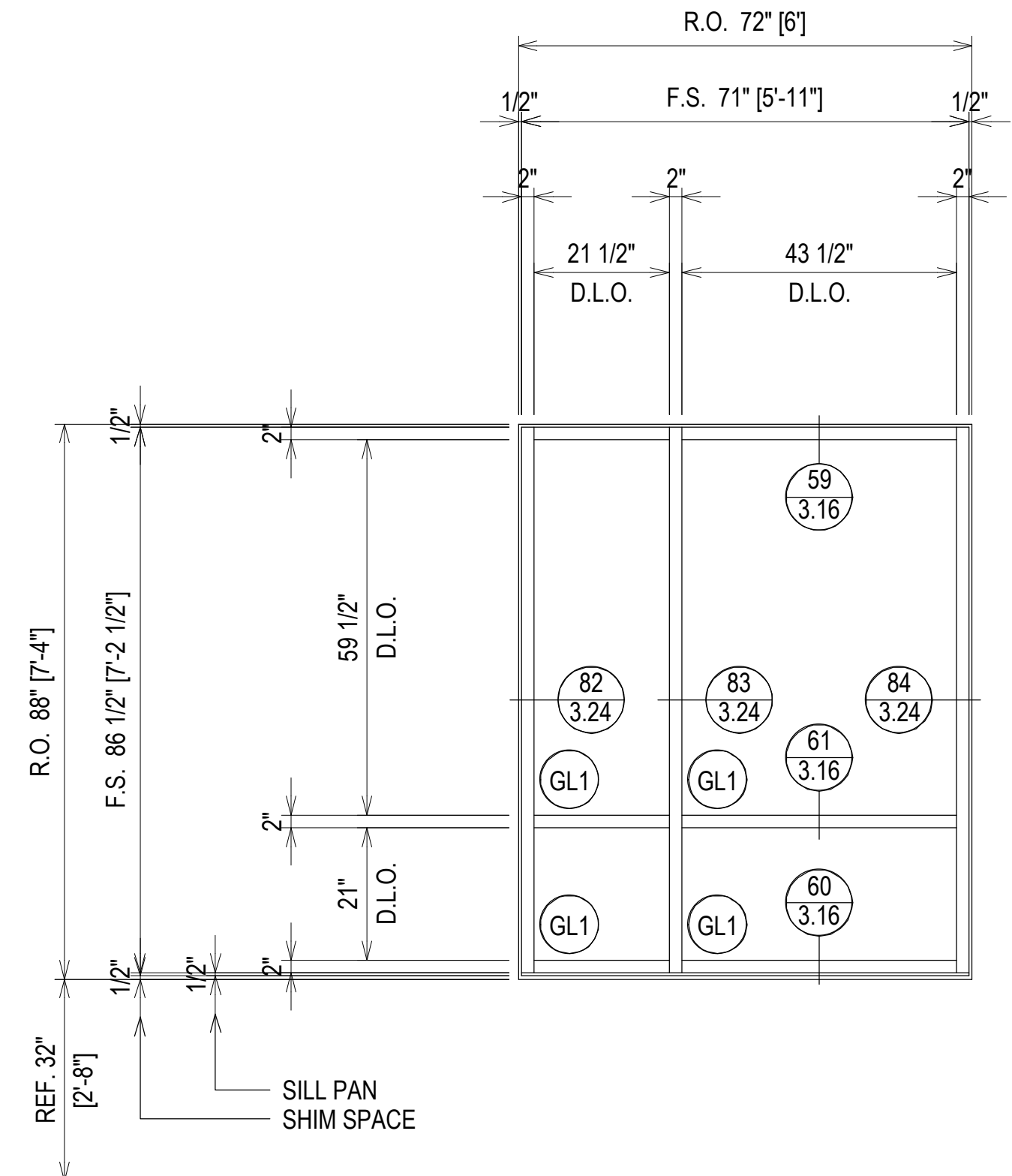
BETHEL HANBERRY ELEMENTARY SCHOOL
 EXTERIOR SUBMITTAL
 125 BONEY ROAD, BLYTHEWOOD, SC 29016



JOB #
 20-018

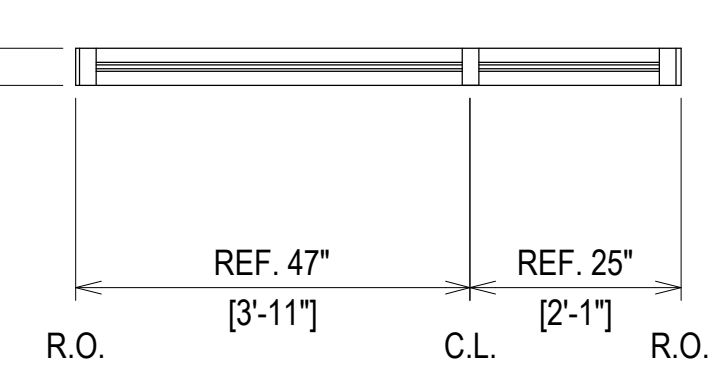
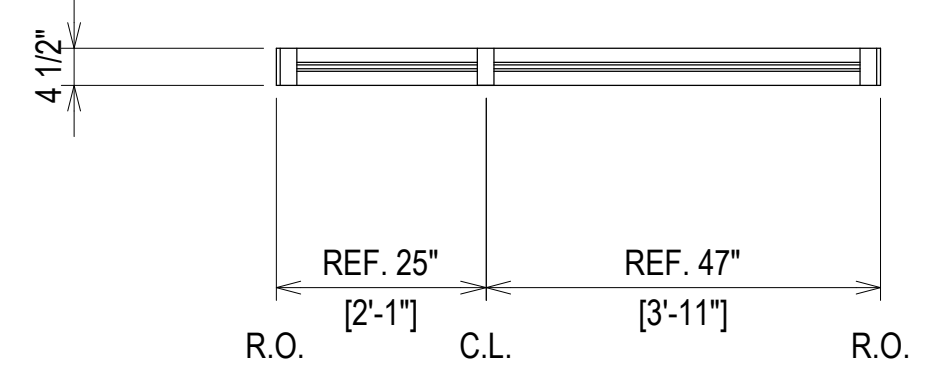
DRAWN BY:	DATE:
RA	04.23.21
CHECKED BY:	DATE:
EW	04.23.21

FIRST & SECOND FLOOR
0' - 0" & 15' - 4"

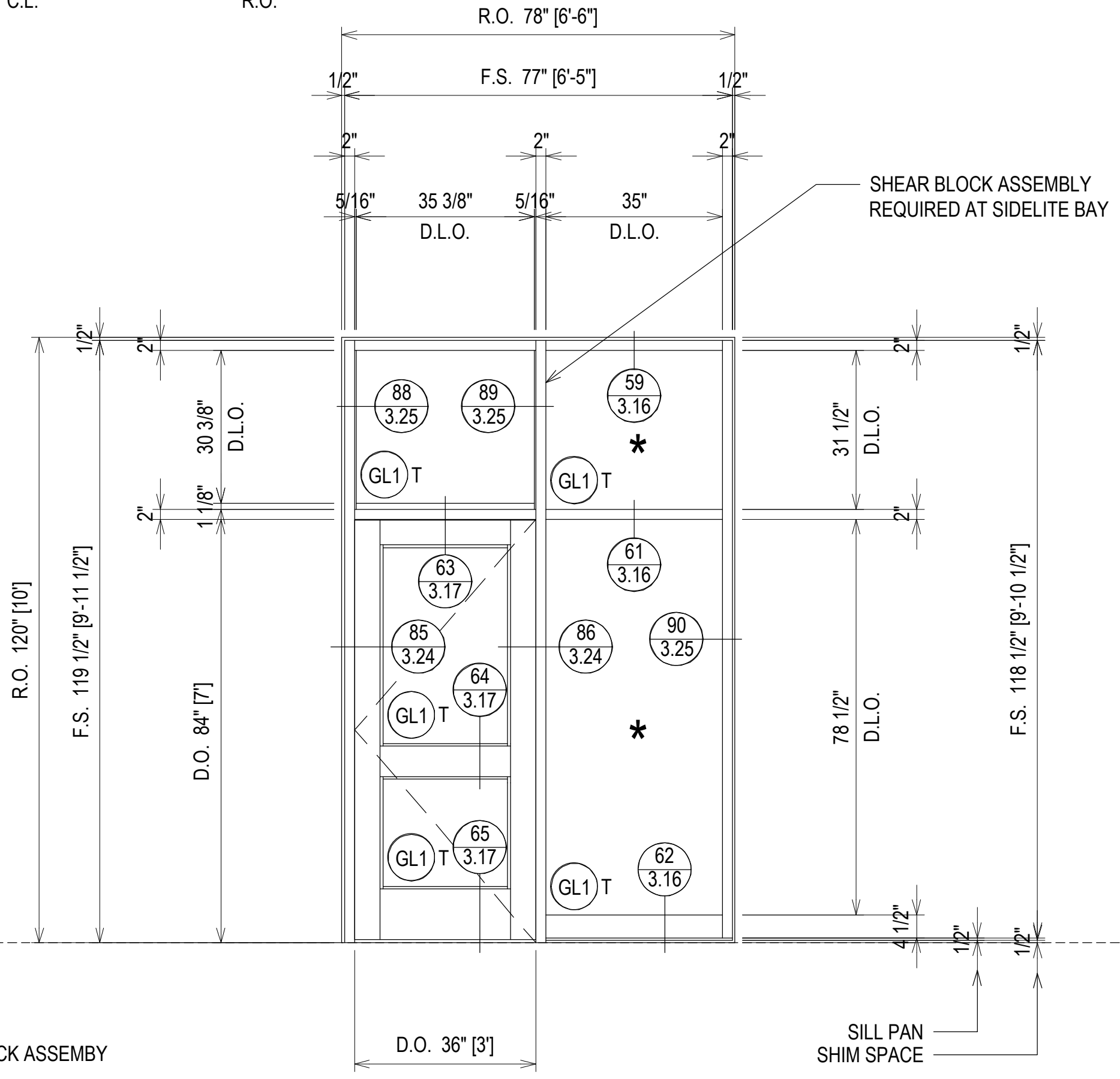


ELEVATION SF01
SCALE: 1/2" = 1'-0"
KAWNEER TRIFAB VG 451T - 2" X 4 1/2"
EXTERIOR STOREFRONT
1" INSULATED GLASS (CENTER SET)
QUANTITY: 19

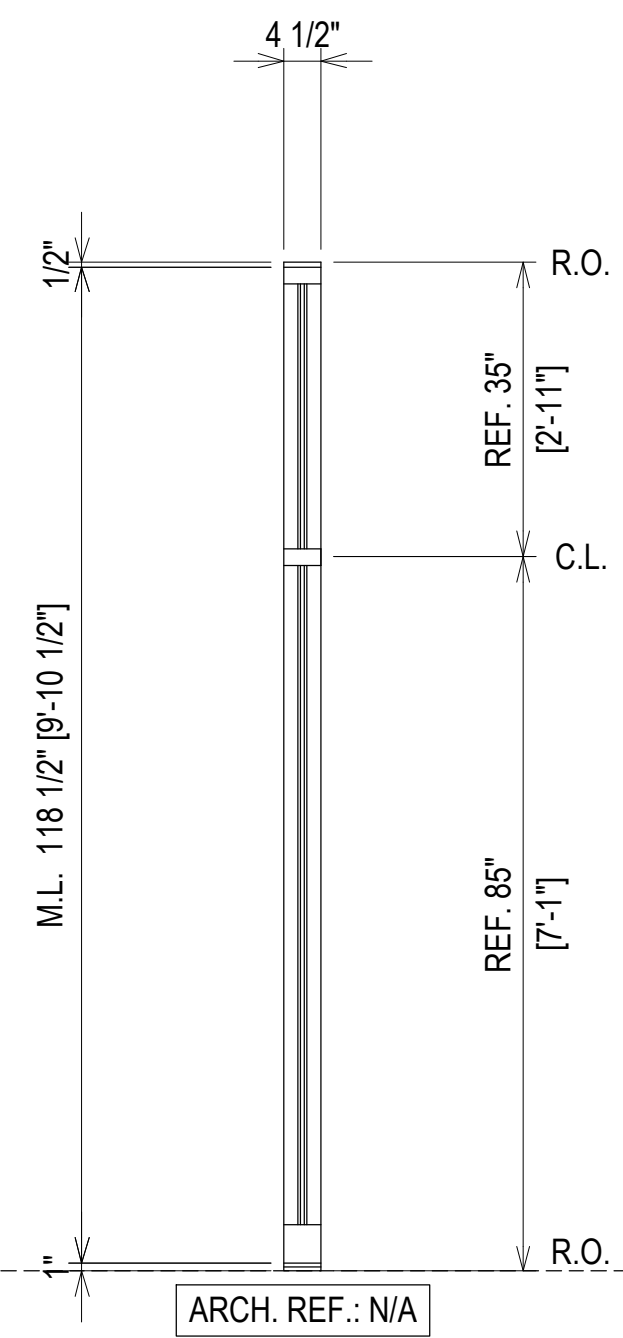
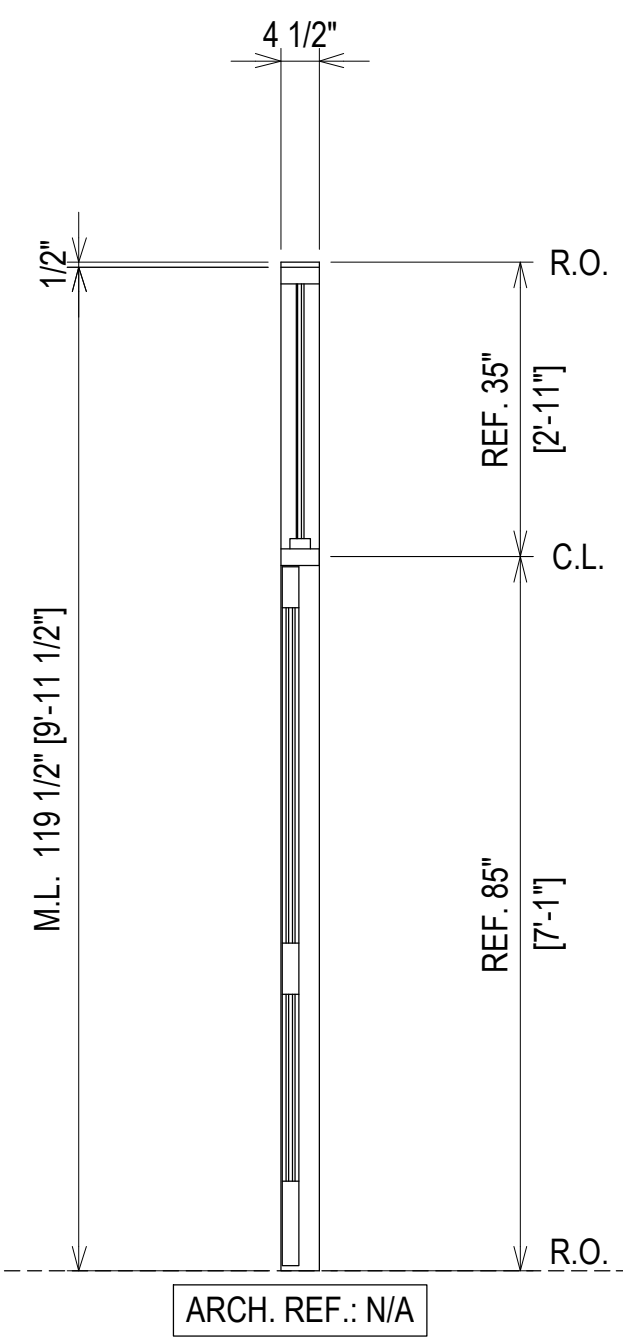
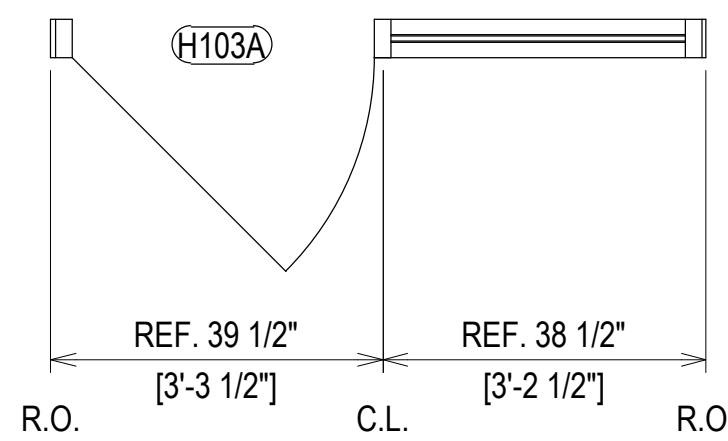
ELEVATION SF01 OPP.
SCALE: 1/2" = 1'-0"
KAWNEER TRIFAB VG 451T - 2" X 4 1/2"
EXTERIOR STOREFRONT
1" INSULATED GLASS (CENTER SET)
QUANTITY: 4



FIRST FLOOR
0' - 0"



* = SHEAR BLOCK ASSEMBLY



ELEVATION SF02
SCALE: 1/2" = 1'-0"
KAWNEER TRIFAB VG 451T - 2" X 4 1/2"
EXTERIOR STOREFRONT
1" INSULATED GLASS (CENTER SET)
QUANTITY: 1

ERECTOR / G.C. NOTE:
PLEASE FIELD VERIFY ALL DIMENSIONS

REV.	DESCRIPTION	DATE
1	1ST REVISION (RA)	06.19.21
2	2ND REVISION (ENGINEERING)	08.03.21
3	3RD REVISION (BULLET RESISTANT)	08.03.21
NO	DESCRIPTION	

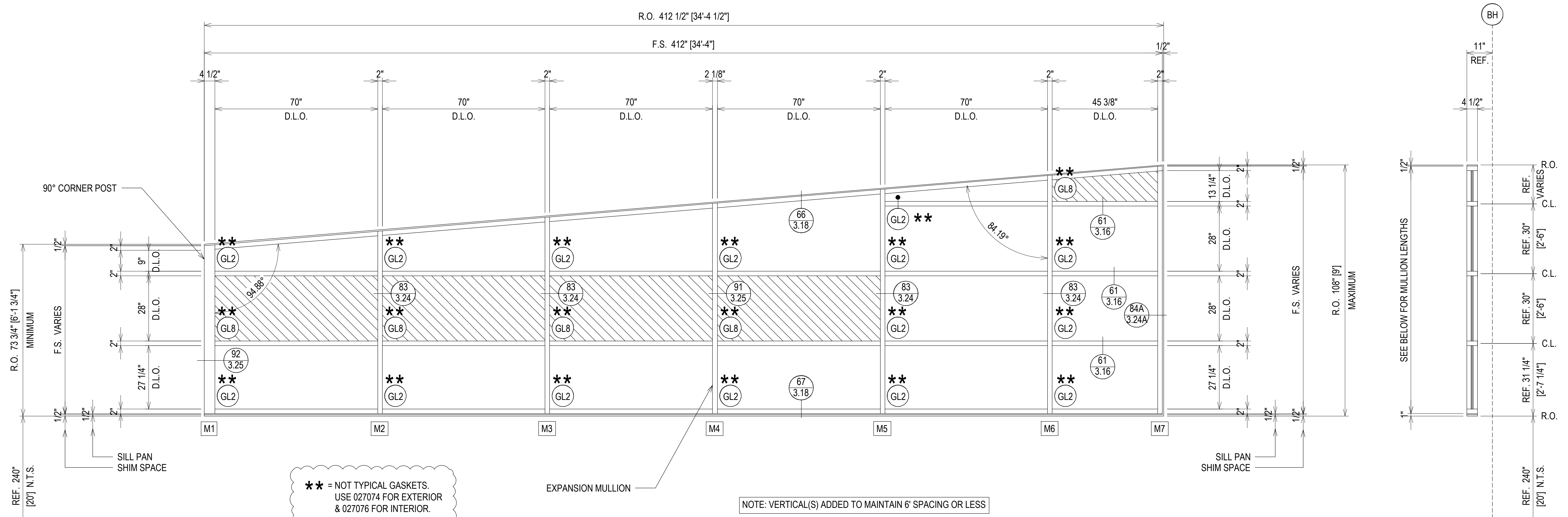
BETHEL HANBERRY ELEMENTARY SCHOOL
EXTERIOR SUBMITTAL
125 BONEY ROAD, BLYTHEWOOD, SC 29016



JOB #
20-018

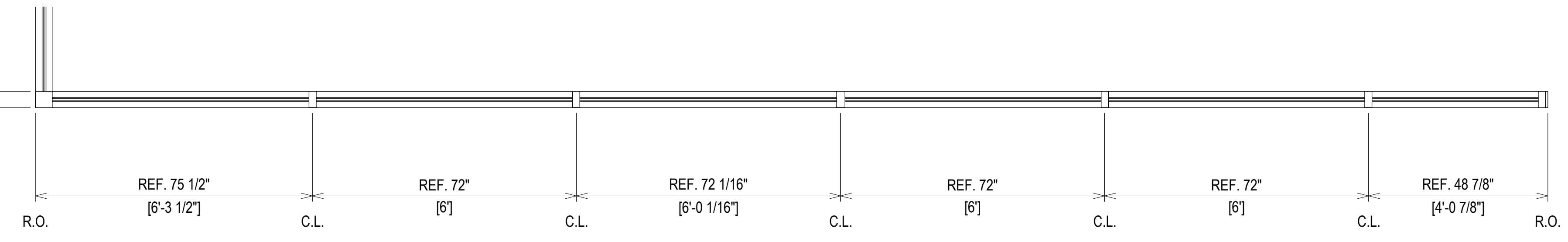
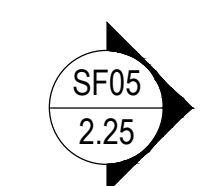
DRAWN BY:	DATE:
RA	04.23.21
CHECKED BY:	DATE:
EW	04.23.21

2.20



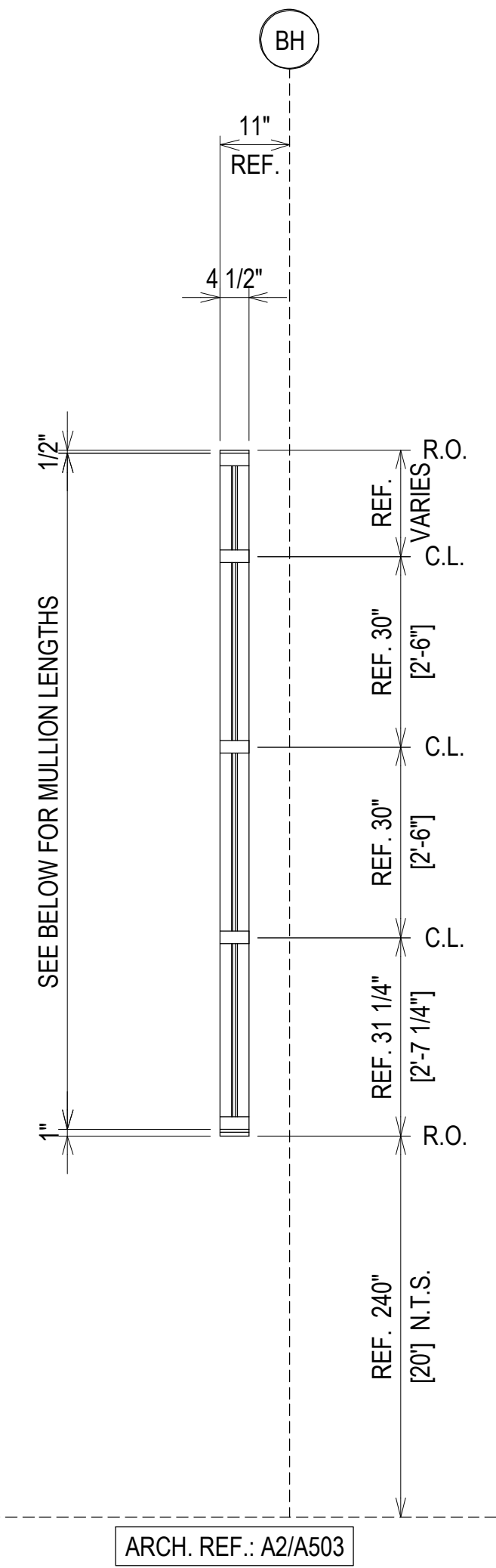
** = NOT TYPICAL GASKETS.
USE 027074 FOR EXTERIOR
& 027076 FOR INTERIOR.

NOTE: VERTICAL(S) ADDED TO MAINTAIN 6" SPACING OR LESS



MULLION LENGTH (TO LONGEST POINT)	
M1	6'-0 5/8"
M2	6'-6 3/4"
M3	7'-0 15/16"
M4	7'-7 1/16"
M5	8'-1 3/16"
M6	8'-7 3/8"
M7	8'-10 7/16"

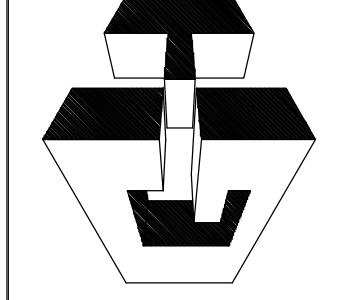
ELEVATION SF03A
SCALE: 1/2" = 1'-0"
KAWNEER TRIFAB VG 451T - 2" X 4 1/2"
EXTERIOR STOREFRONT
1" INSULATED GLASS (CENTER SET)
QUANTITY: 1



REV.	DESCRIPTION	DATE
1	1ST REVISION (RA)	06.19.21
2	2ND REVISION (ENGINEERING)	08.02.21
3	3RD REVISION (ALLET RESISTANT)	08.03.21
NO	DESCRIPTION	

BETHEL HANBERRY ELEMENTARY SCHOOL
EXTERIOR SUBMITTAL
125 BONEY ROAD, BLYTHEWOOD, SC 29016

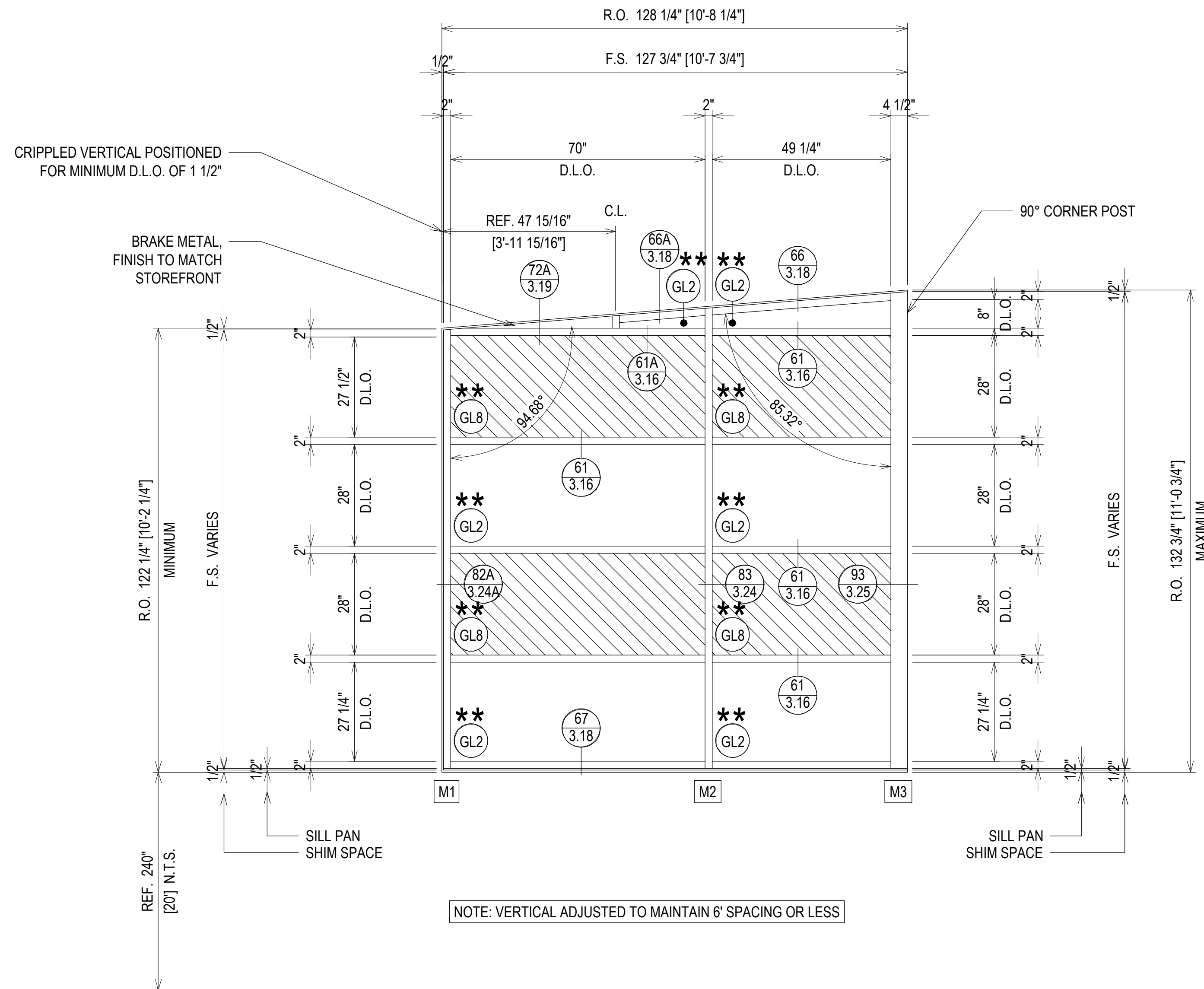
GRAHAM-HODGE
ASSOCIATES INC.



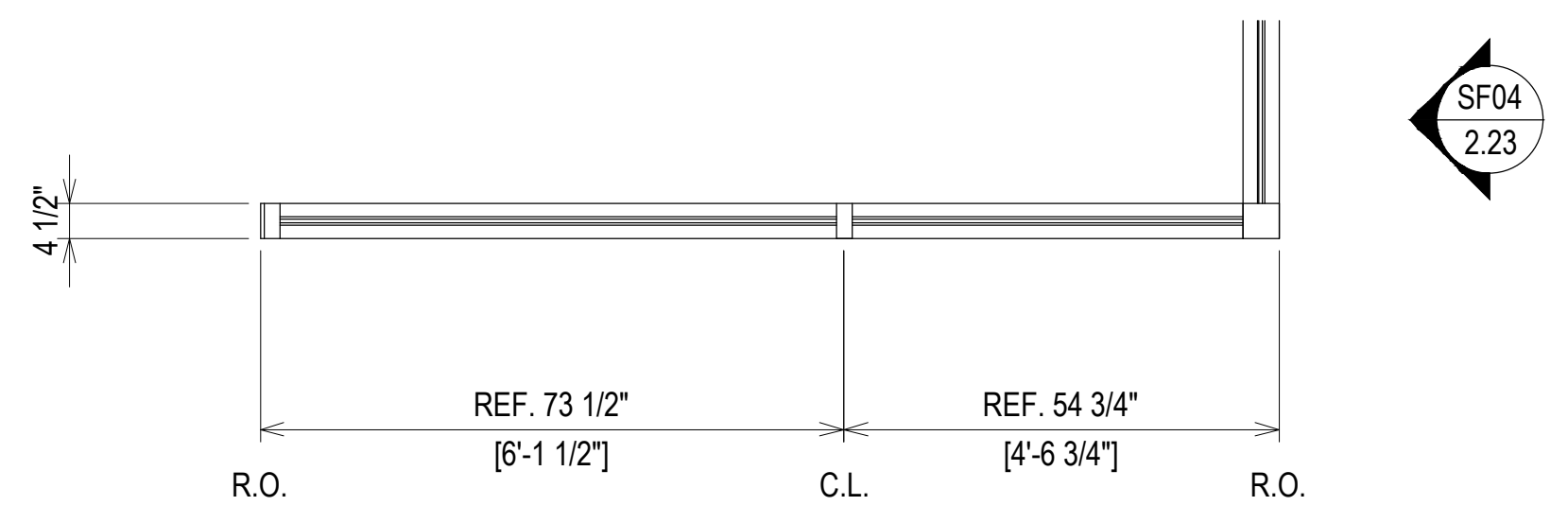
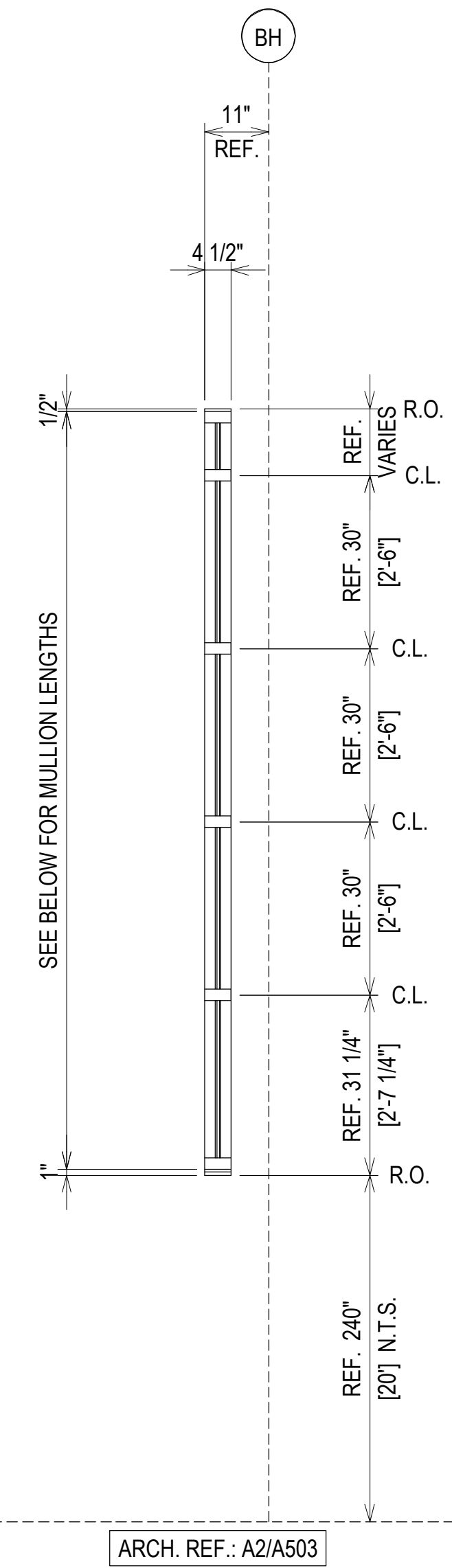
JOB #
20-018

DRAWN BY:	DATE:
RA	04.23.21
CHECKED BY:	DATE:
EW	04.23.21

ERECTOR / G.C. NOTE:
PLEASE FIELD VERIFY ALL DIMENSIONS



** = NOT TYPICAL GASKETS. USE 027074 FOR EXTERIOR & 027076 FOR INTERIOR.



MULLION LENGTH (TO LONGEST POINT)	
M1	10'-0 15/16"
M2	10'-7"
M3	10'-11 1/4"

ELEVATION SF03B
 SCALE: 1/2" = 1'-0"
 KAWNEER TRIFAB VG 451T - 2" X 4 1/2"
 EXTERIOR STOREFRONT
 1" INSULATED GLASS (CENTER SET)
 QUANTITY: 1



REV.	DESCRIPTION	DATE
1	1ST REVISION (RA)	06.19.21
2	2ND REVISION (ENGINEERING)	08.03.21
3	3RD REVISION (BULLET RESISTANT)	08.03.21
NO	DESCRIPTION	

BETHEL HANBERRY ELEMENTARY SCHOOL
 EXTERIOR SUBMITTAL
 125 BONEY ROAD, BLYTHEWOOD, SC 29016

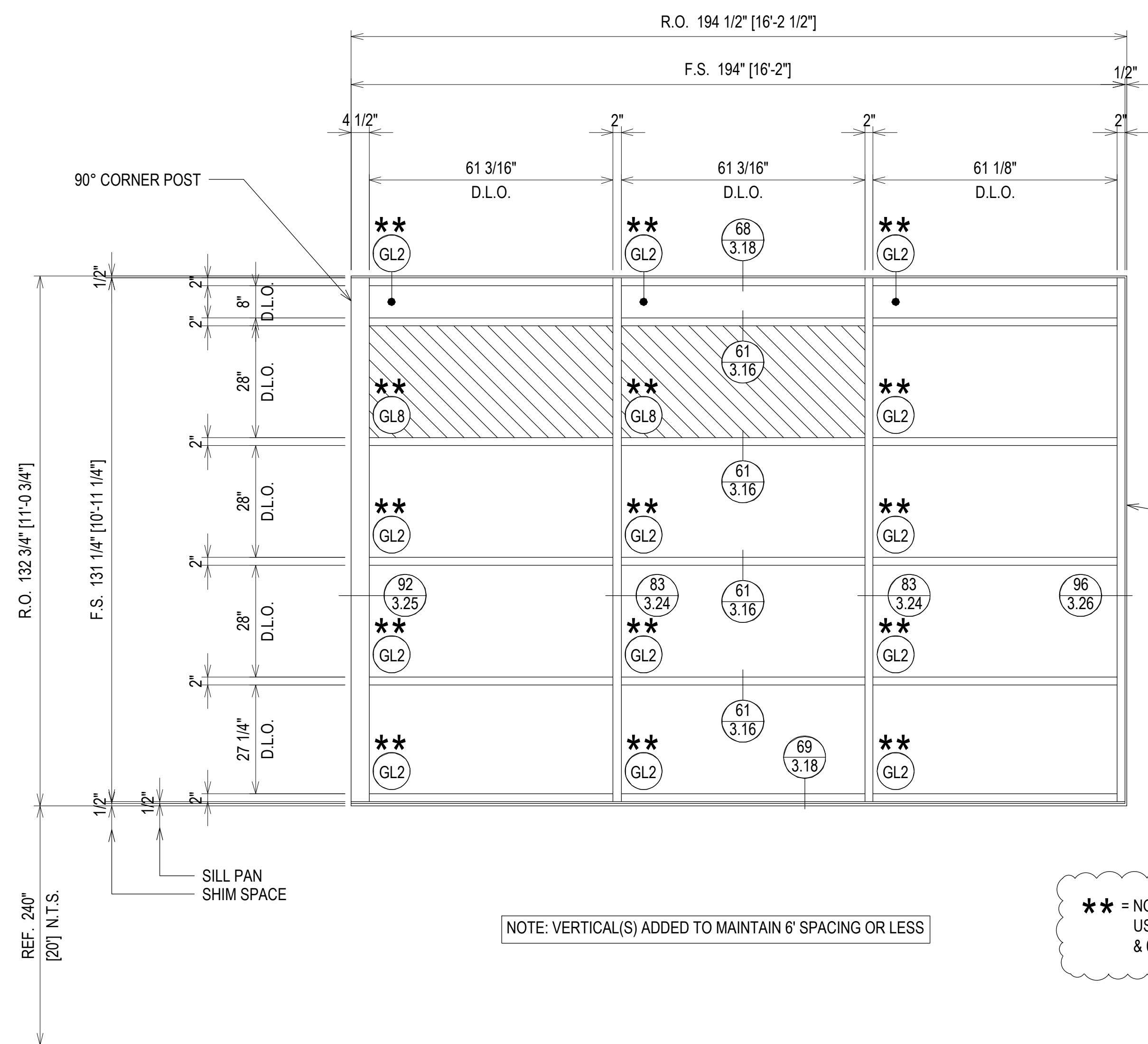


JOB #
20-018

DRAWN BY:	DATE:
RA	04.23.21
CHECKED BY:	DATE:
EW	04.23.21

ERECTOR / G.C. NOTE:
PLEASE FIELD VERIFY ALL DIMENSIONS

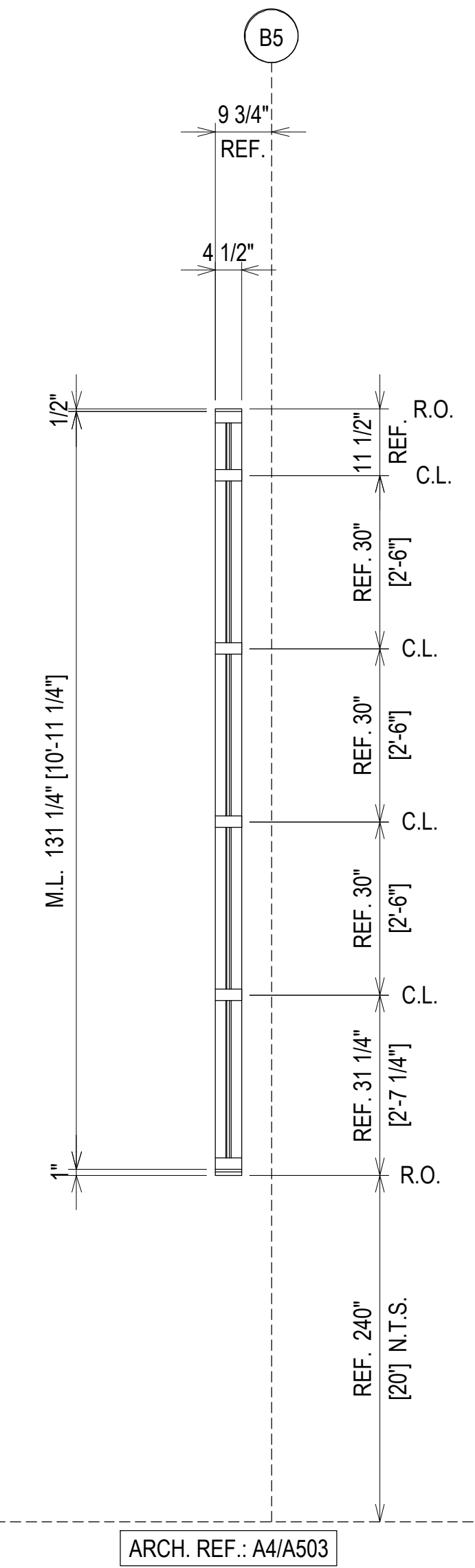
2.22



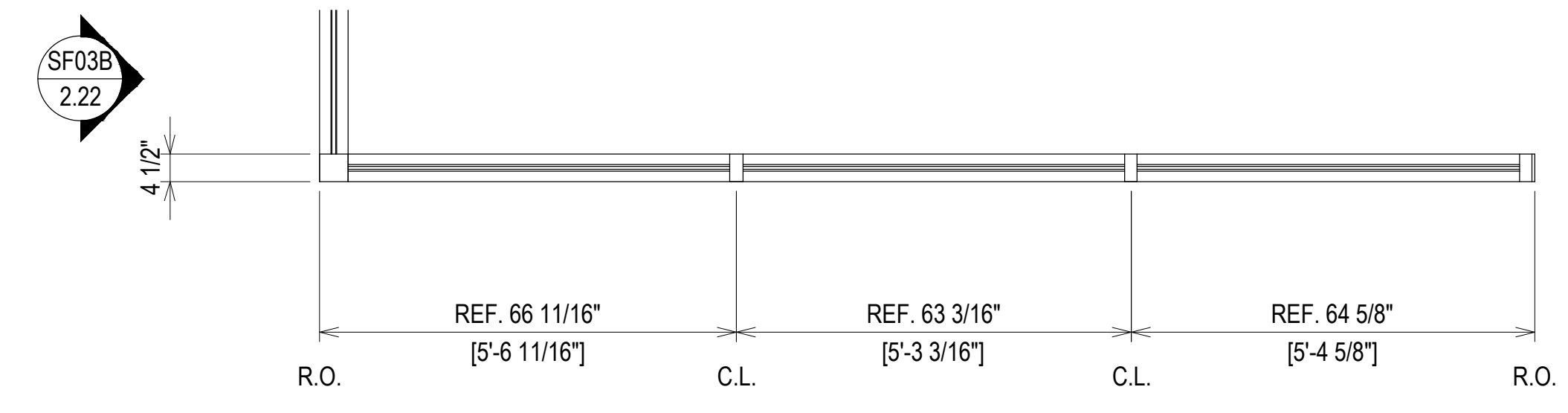
ARCH./G.C. NOTE:
WINDOW LOCATION
RELATIVE TO WALL
FRAMING AT THIS
JAMB DOES NOT MATCH
THE SILL DETAIL. JAMB
DETAIL IS CRITICAL FOR
WATERTIGHTNESS.
PLEASE ADVISE.

** = NOT TYPICAL GASKETS.
USE 027074 FOR EXTERIOR
& 027076 FOR INTERIOR.

NOTE: VERTICAL(S) ADDED TO MAINTAIN 6" SPACING OR LESS



ARCH. REF.: A4/A503



ELEVATION SF04
SCALE: 1/2" = 1'-0"
KAWNEER TRIFAB VG 451T - 2" X 4 1/2"
EXTERIOR STOREFRONT
1" INSULATED GLASS (CENTER SET)
QUANTITY: 1

REV.	DESCRIPTION	DATE
1	1ST REVISION (RA)	06.19.21
2	2ND REVISION (ENGINEERING)	08.03.21
3	3RD REVISION (BULLET RESISTANT)	08.03.21
NO	DESCRIPTION	

BETHEL HANBERRY ELEMENTARY SCHOOL
EXTERIOR SUBMITTAL
125 BONEY ROAD, BLYTHEWOOD, SC 29016

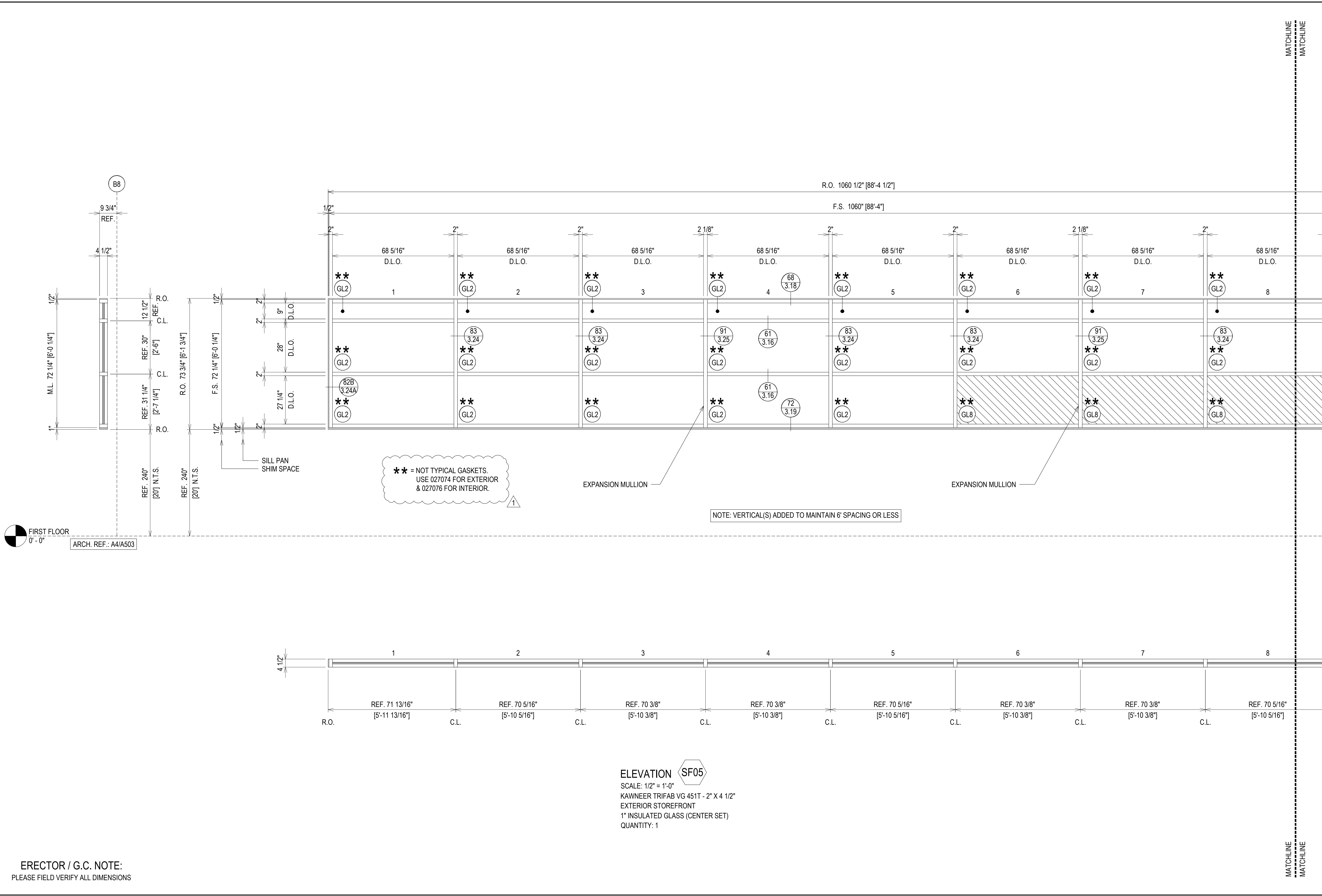


JOB #
20-018

DRAWN BY:	DATE:
RA	04.23.21
CHECKED BY:	DATE:
EW	04.23.21

ERECTOR / G.C. NOTE:
PLEASE FIELD VERIFY ALL DIMENSIONS

2.23



FIRST FLOOR
0' - 0"
ARCH. REF.: A4/A503

** = NOT TYPICAL GASKETS.
USE 027074 FOR EXTERIOR
& 027076 FOR INTERIOR.

NOTE: VERTICAL(S) ADDED TO MAINTAIN 6" SPACING OR LESS

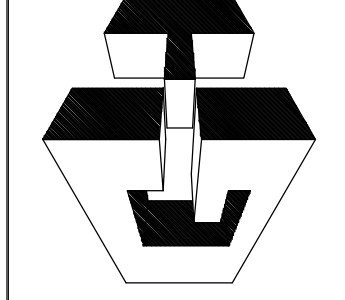
ELEVATION SF05
SCALE: 1/2" = 1'-0"
KAWNEER TRIFAB VG 451T - 2" X 4 1/2"
EXTERIOR STOREFRONT
1" INSULATED GLASS (CENTER SET)
QUANTITY: 1

ERECTOR / G.C. NOTE:
PLEASE FIELD VERIFY ALL DIMENSIONS

REV.	DESCRIPTION	DATE
1	1ST REVISION (RA)	06.19.21
2	2ND REVISION (ENGINEERING)	08.03.21
3	3RD REVISION (BULLET RESISTANT)	08.03.21
NO	DESCRIPTION	

BETHEL HANBERRY ELEMENTARY SCHOOL
EXTERIOR SUBMITTAL
125 BONEY ROAD, BLYTHEWOOD, SC 29016

GRAHAM-HODGE
ASSOCIATES INC.

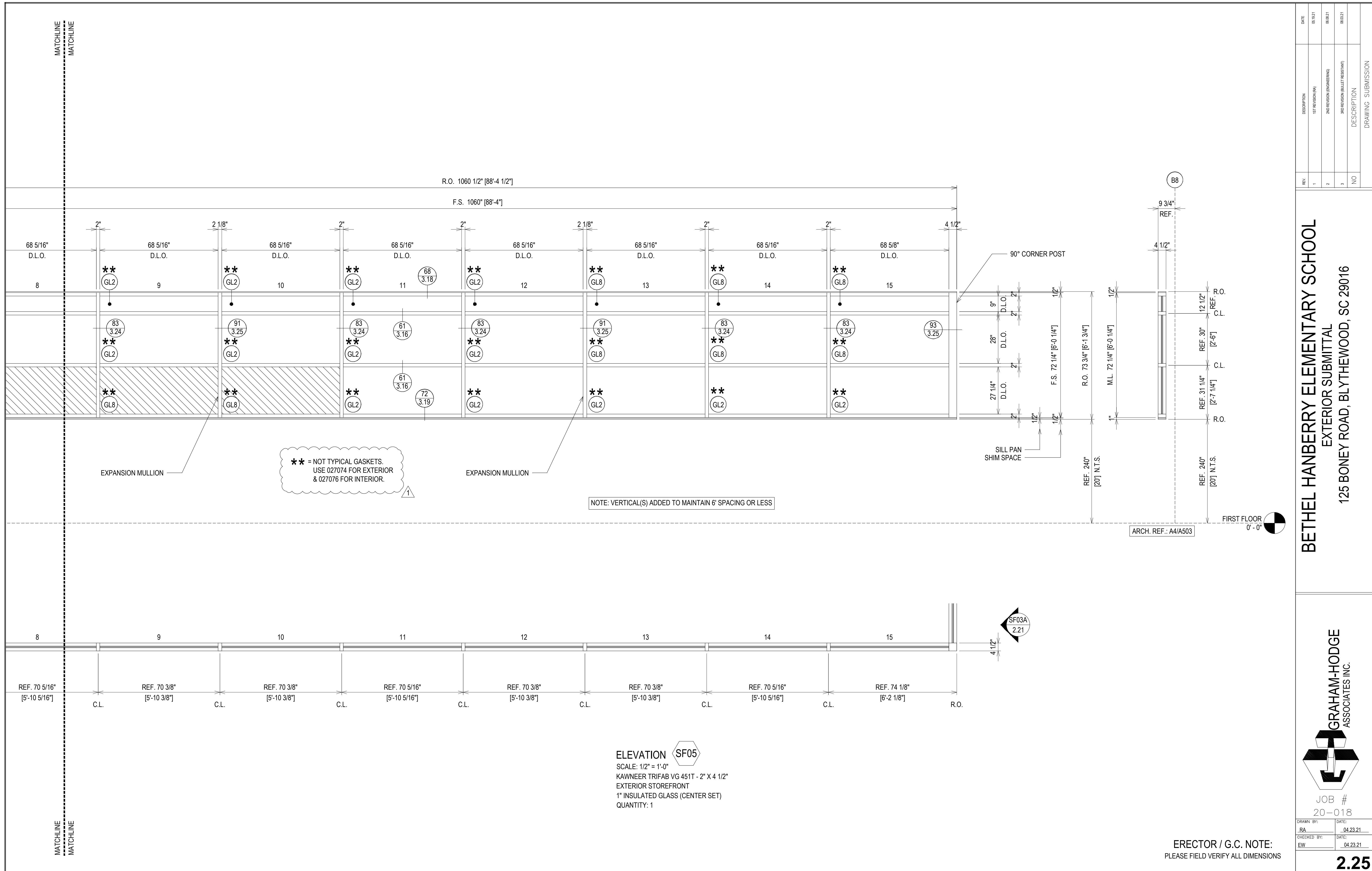


JOB #
20-018

DRAWN BY:	DATE:
RA	04.23.21
CHECKED BY:	DATE:
EW	04.23.21

2.24

MATCHLINE MATCHLINE



** = NOT TYPICAL GASKETS.
USE 027074 FOR EXTERIOR
& 027076 FOR INTERIOR.

NOTE: VERTICAL(S) ADDED TO MAINTAIN 6\" SPACING OR LESS

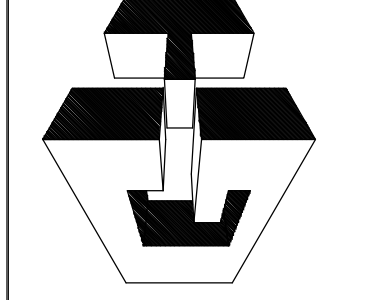
ELEVATION SF05
SCALE: 1/2" = 1'-0"
KAWNEER TRIFAB VG 451T - 2" X 4 1/2"
EXTERIOR STOREFRONT
1" INSULATED GLASS (CENTER SET)
QUANTITY: 1

ERECTOR / G.C. NOTE:
PLEASE FIELD VERIFY ALL DIMENSIONS

REV.	DESCRIPTION	DATE
1	1ST REVISION (RA)	06.19.21
2	2ND REVISION (ENGINEERING)	08.03.21
3	3RD REVISION (ALLET REVISION)	08.03.21
NO	DESCRIPTION	

BETHEL HANBERRY ELEMENTARY SCHOOL
EXTERIOR SUBMITTAL
125 BONEY ROAD, BLYTHEWOOD, SC 29016

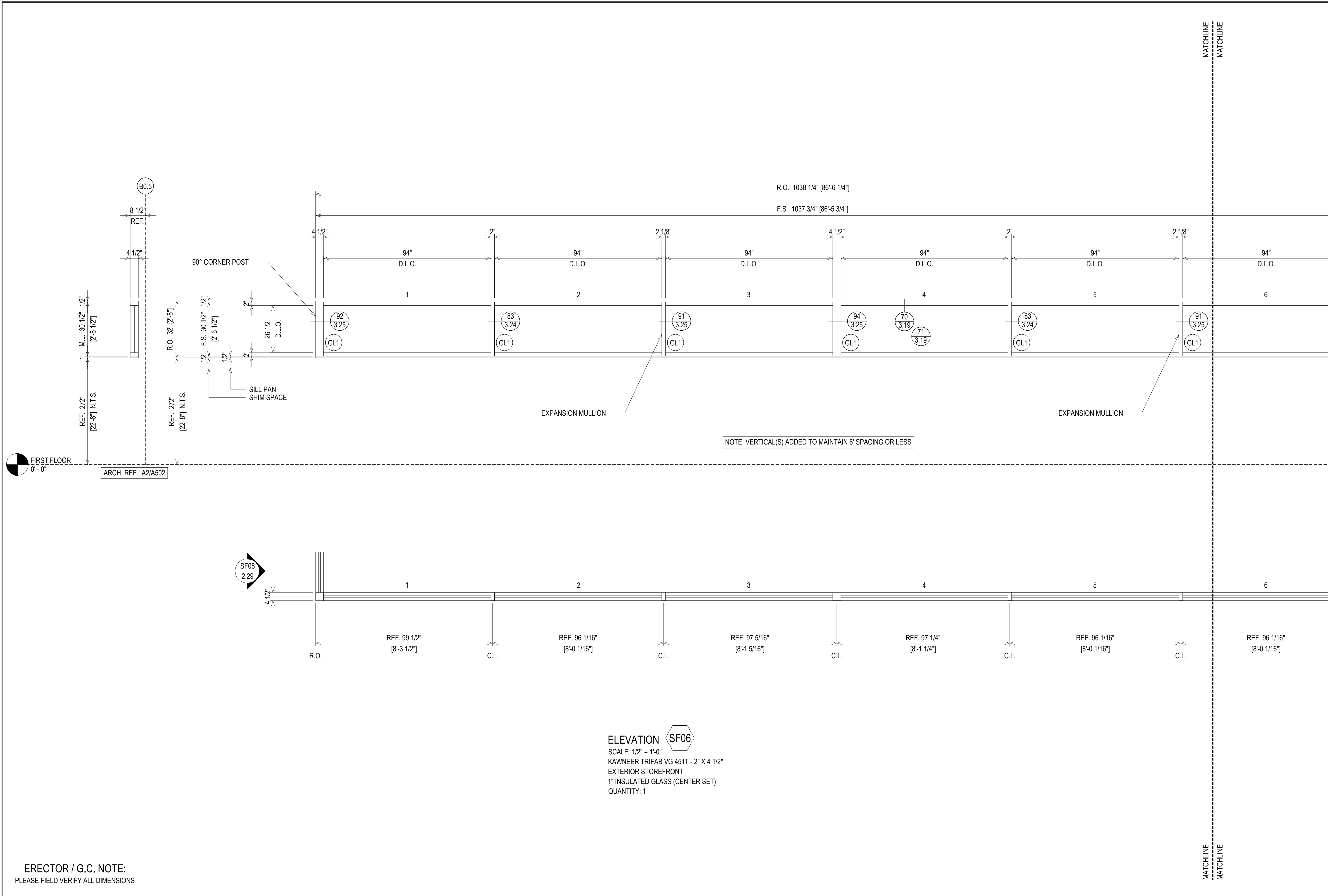
GRAHAM-HODGE
ASSOCIATES INC.



JOB #
20-018

DRAWN BY:	DATE:
RA	04.23.21
CHECKED BY:	DATE:
EW	04.23.21

2.25



FIRST FLOOR
0'-0"

ARCH. REF.: A2/A502

SF08
2.29

ELEVATION SF06
SCALE: 1/2" = 1'-0"
KAWNEER TRIFAB VG 451T - 2" X 4 1/2"
EXTERIOR STOREFRONT
1" INSULATED GLASS (CENTER SET)
QUANTITY: 1

ERECTOR / G.C. NOTE:
PLEASE FIELD VERIFY ALL DIMENSIONS

REV.	DESCRIPTION	DATE
1	1ST REVISION (RA)	06.19.21
2	2ND REVISION (ENGINEERING)	08.08.21
3	3RD REVISION (ALLET REVISION)	08.03.21
NO	DESCRIPTION	

BETHEL HANBERRY ELEMENTARY SCHOOL
EXTERIOR SUBMITTAL
125 BONEY ROAD, BLYTHEWOOD, SC 29016

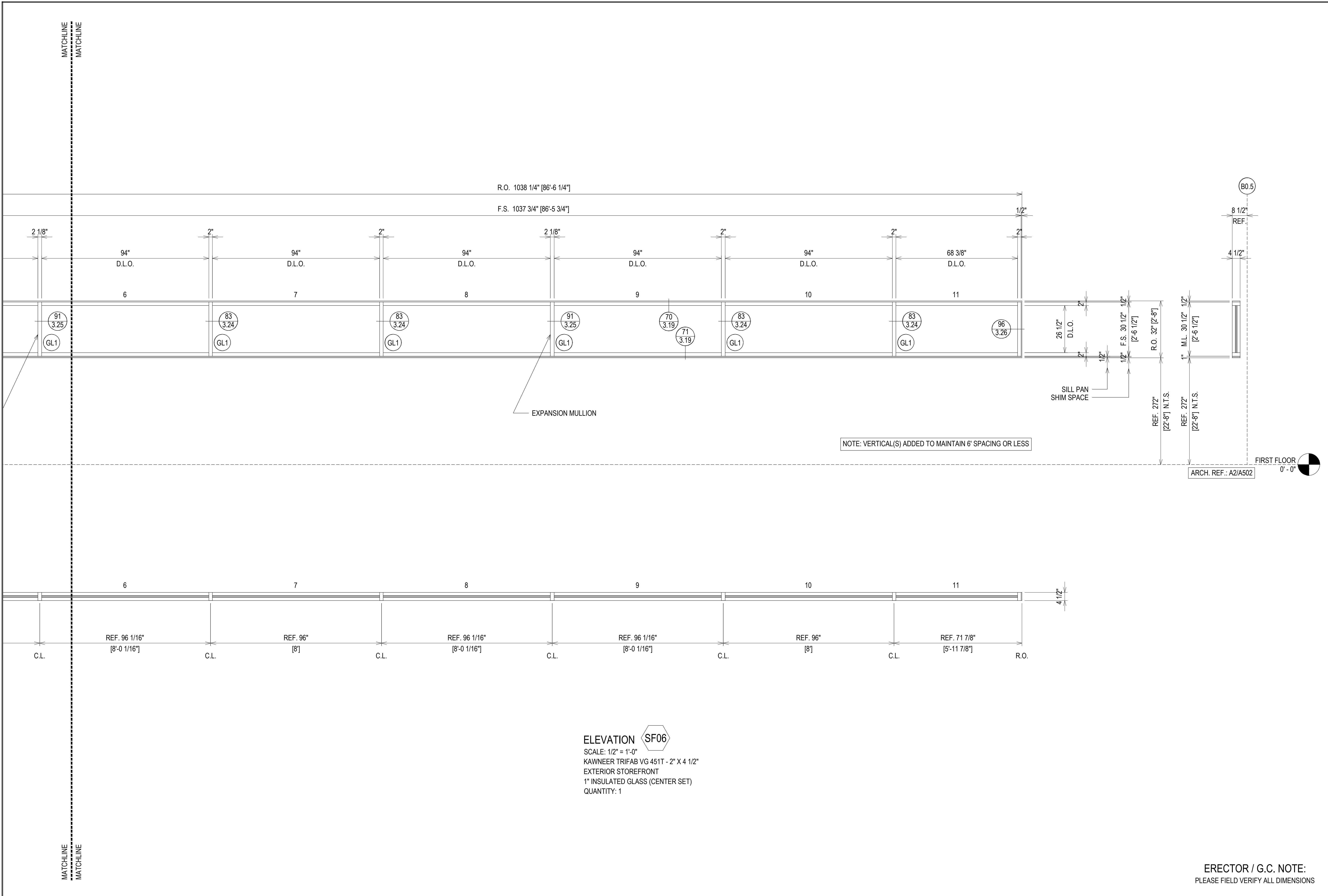


JOB #
20-018

DRAWN BY:	DATE:
RA	04.23.21
CHECKED BY:	DATE:
EW	04.23.21

2.26

DRAWING SUBMISSION



REV.	DESCRIPTION	DATE
1	1ST REVISION (RA)	06.19.21
2	2ND REVISION (ENGINEERING)	08.03.21
3	3RD REVISION (MULLET RESISTANT)	08.03.21
NO	DESCRIPTION	

BETHEL HANBERRY ELEMENTARY SCHOOL
 EXTERIOR SUBMITTAL
 125 BONEY ROAD, BLYTHEWOOD, SC 29016

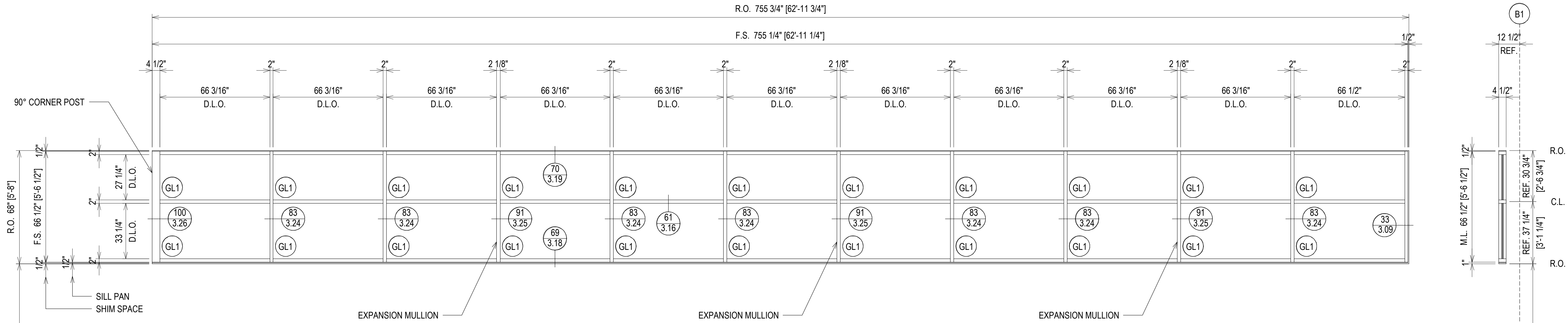
GRAHAM-HODGE ASSOCIATES INC.

JOB #
20-018

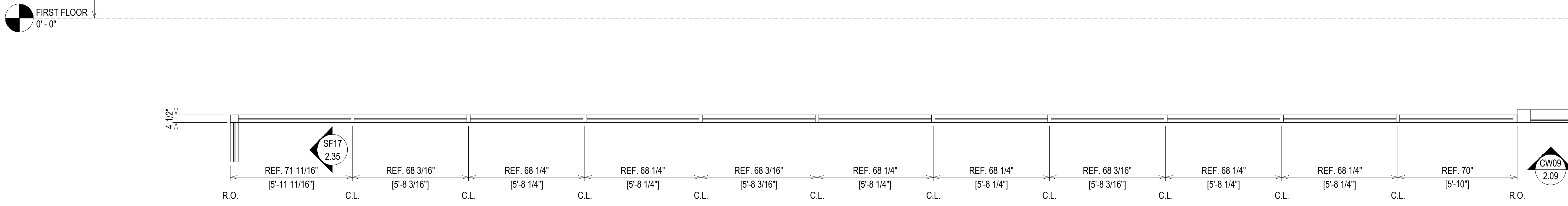
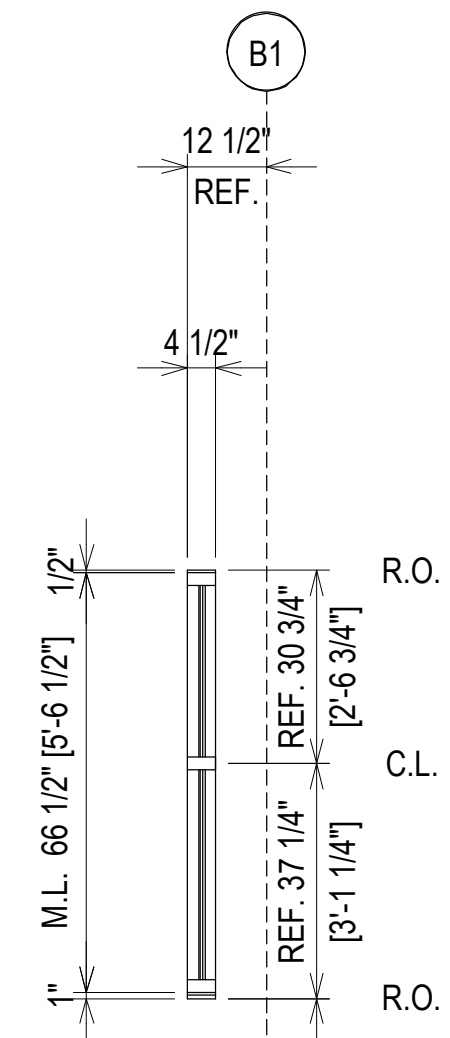
DRAWN BY:	DATE:
RA	04.23.21
CHECKED BY:	DATE:
EW	04.23.21

2.27

ERECTOR / G.C. NOTE:
PLEASE FIELD VERIFY ALL DIMENSIONS



NOTE: VERTICAL(S) ADDED TO MAINTAIN 6" SPACING OR LESS



ELEVATION SF07
 SCALE: 3/8" = 1'-0"
 KAWNEER TRIFAB VG 451T - 2" X 4 1/2"
 EXTERIOR STOREFRONT
 1" INSULATED GLASS (CENTER SET)
 QUANTITY: 1

ERECTOR / G.C. NOTE:
 PLEASE FIELD VERIFY ALL DIMENSIONS

REV.	DESCRIPTION	DATE
1	1ST REVISION (RA)	06.19.21
2	2ND REVISION (ENGINEERING)	08.03.21
3	3RD REVISION (BULLET RESISTANT)	08.03.21
NO	DESCRIPTION	

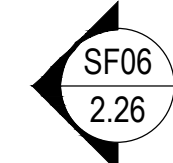
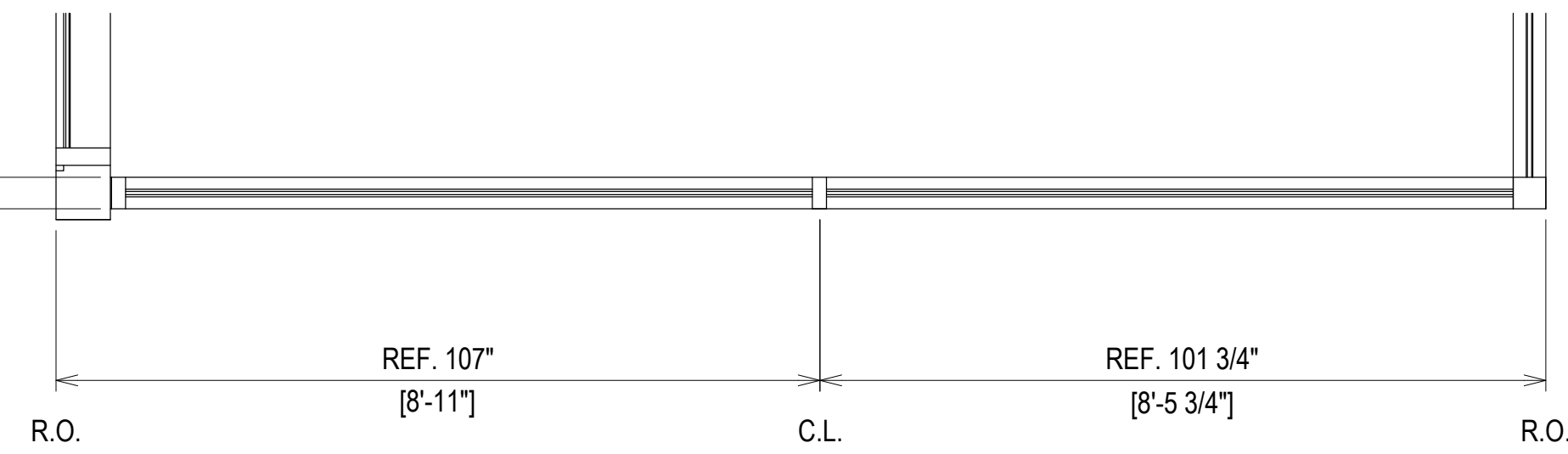
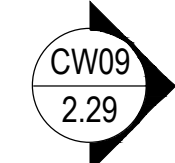
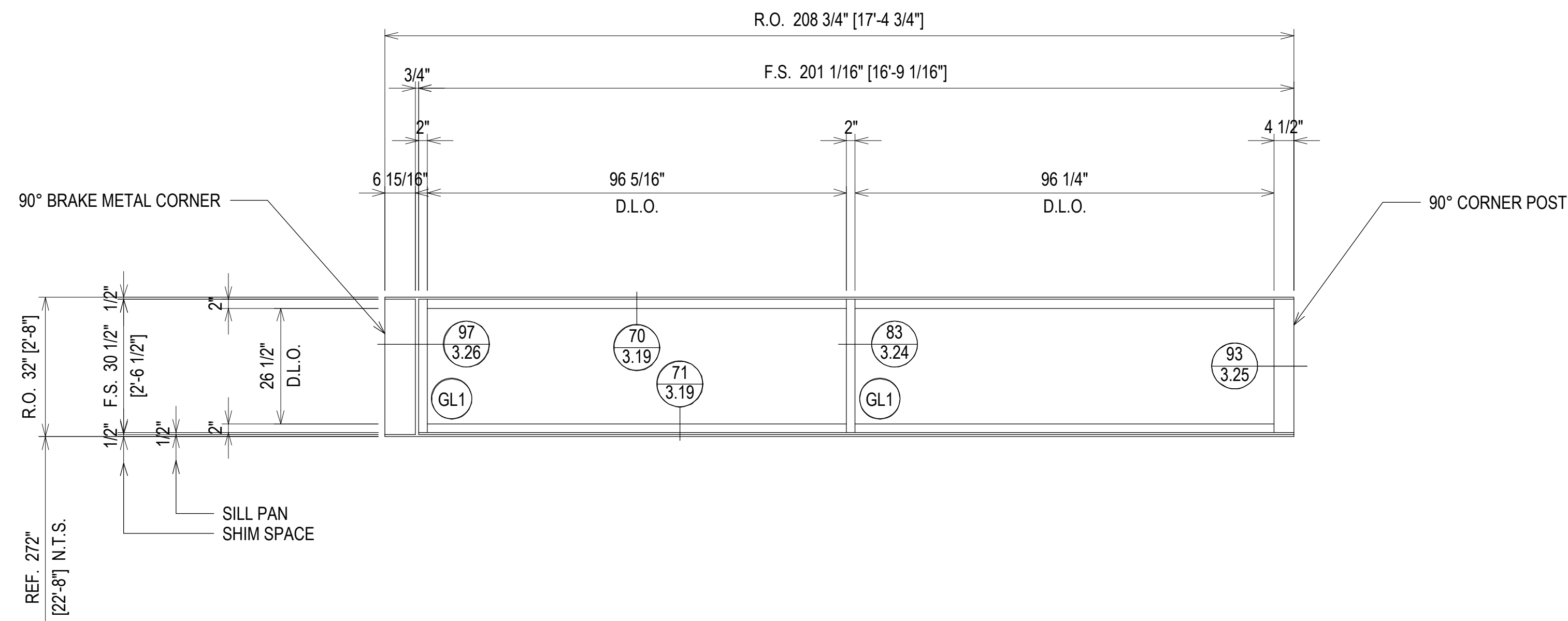
BETHEL HANBERRY ELEMENTARY SCHOOL
 EXTERIOR SUBMITTAL
 125 BONEY ROAD, BLYTHEWOOD, SC 29016

GRAHAM-HODGE ASSOCIATES INC.

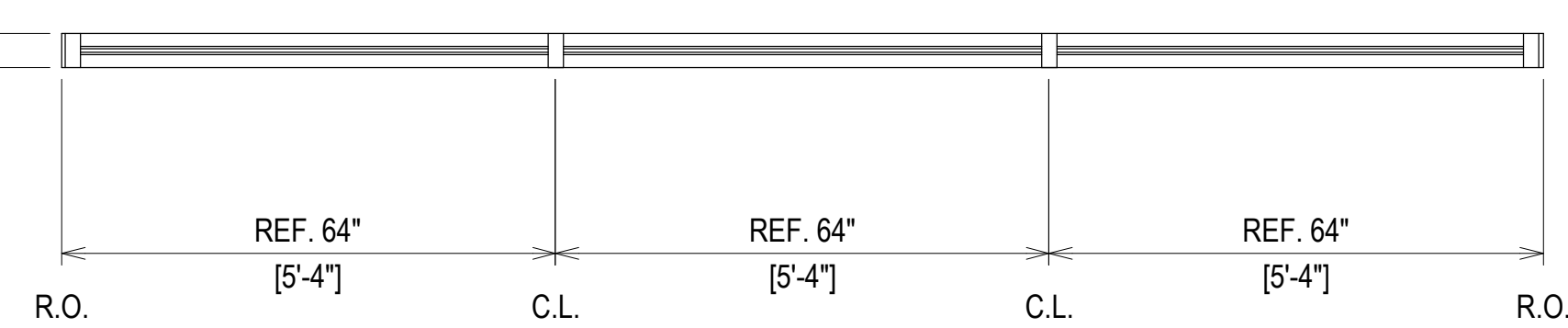
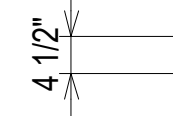
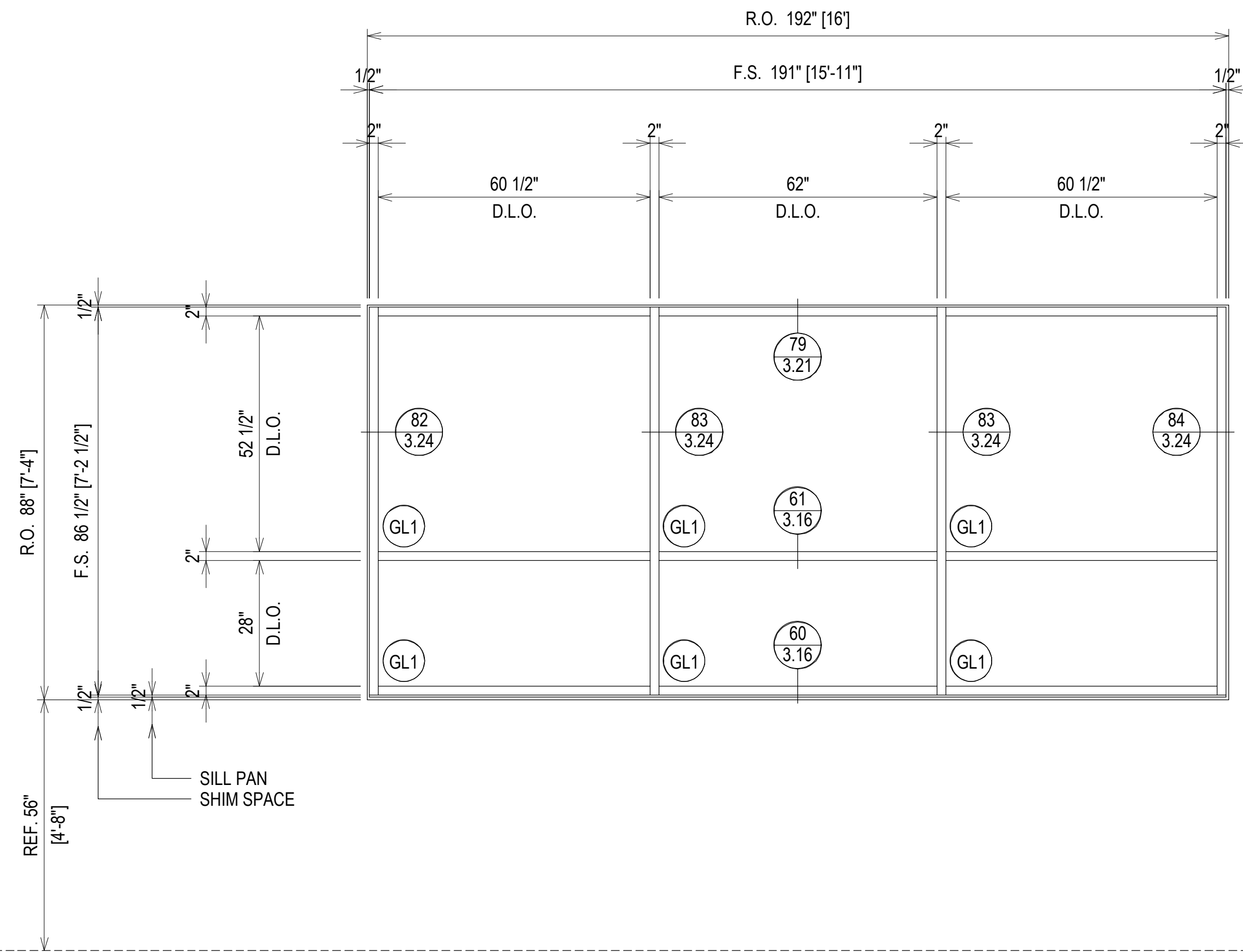
JOB # 20-018

DRAWN BY:	DATE:
RA	04.23.21
CHECKED BY:	DATE:
EW	04.23.21

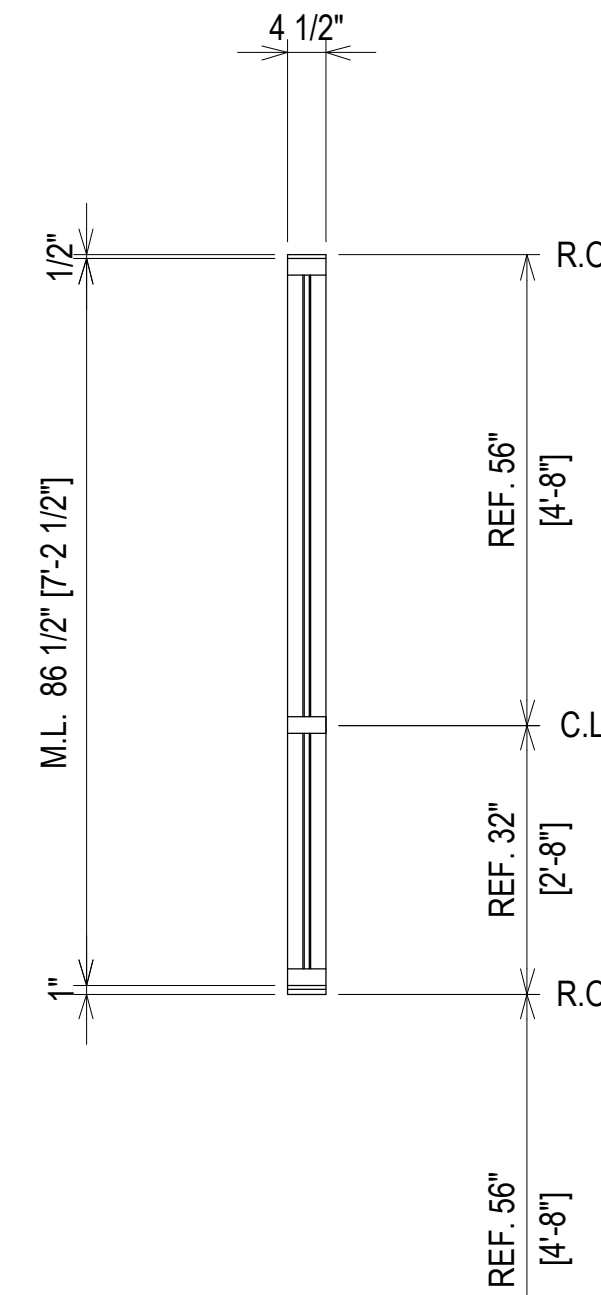
2.28



ELEVATION SF08
 SCALE: 1/2" = 1'-0"
 KAWNEER TRIFAB VG 451T - 2" X 4 1/2"
 EXTERIOR STOREFRONT
 1" INSULATED GLASS (CENTER SET)
 QUANTITY: 1



ELEVATION SF09
 SCALE: 1/2" = 1'-0"
 KAWNEER TRIFAB VG 451T - 2" X 4 1/2"
 EXTERIOR STOREFRONT
 1" INSULATED GLASS (CENTER SET)
 QUANTITY: 1



ARCH. REF.: A6/A501

ERECTOR / G.C. NOTE:
 PLEASE FIELD VERIFY ALL DIMENSIONS

REV.	DESCRIPTION	DATE
1	1ST REVISION (RA)	06.19.21
2	2ND REVISION (ENGINEERING)	08.03.21
3	3RD REVISION (BULLET RESISTANT)	08.03.21
NO	DESCRIPTION	

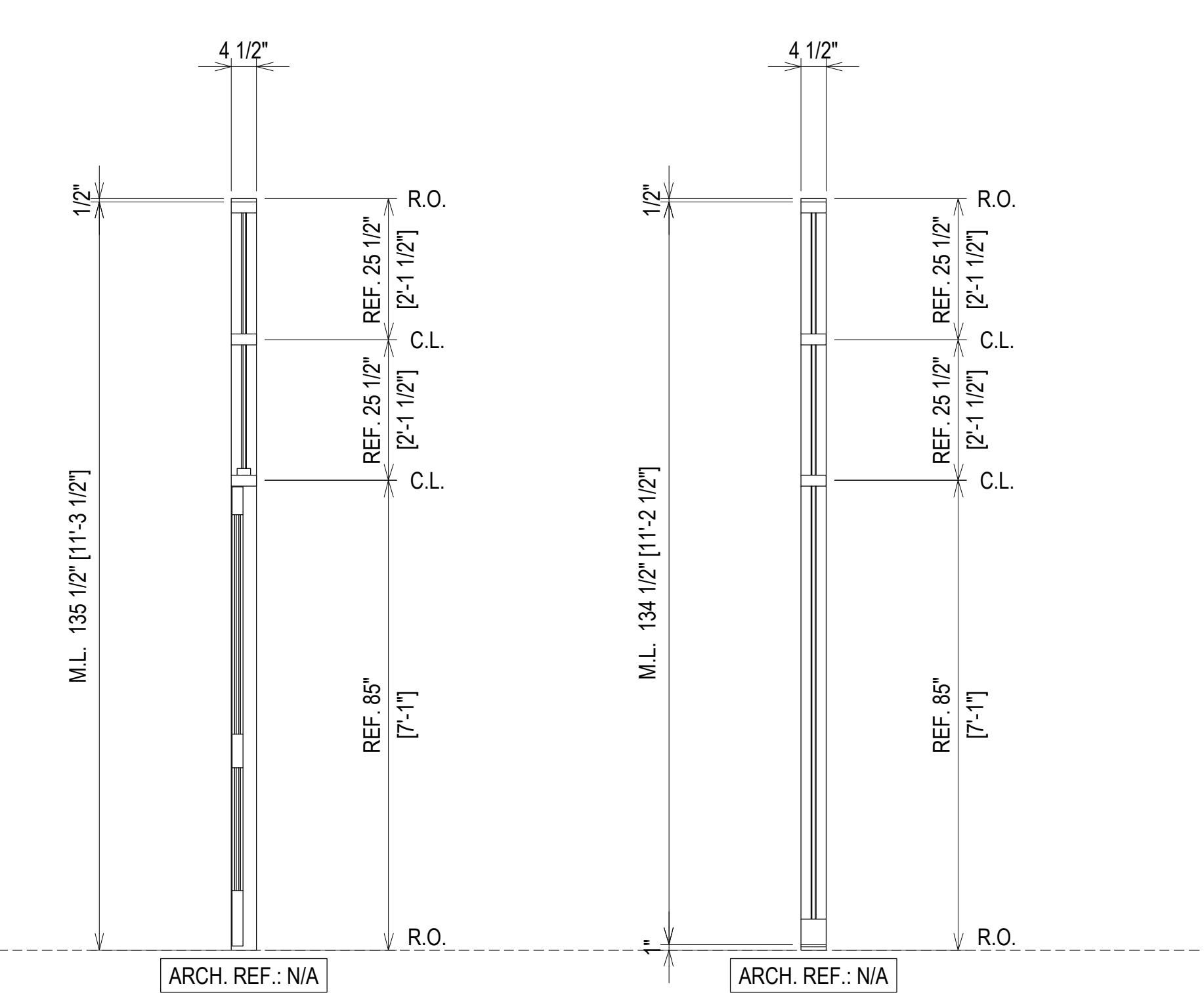
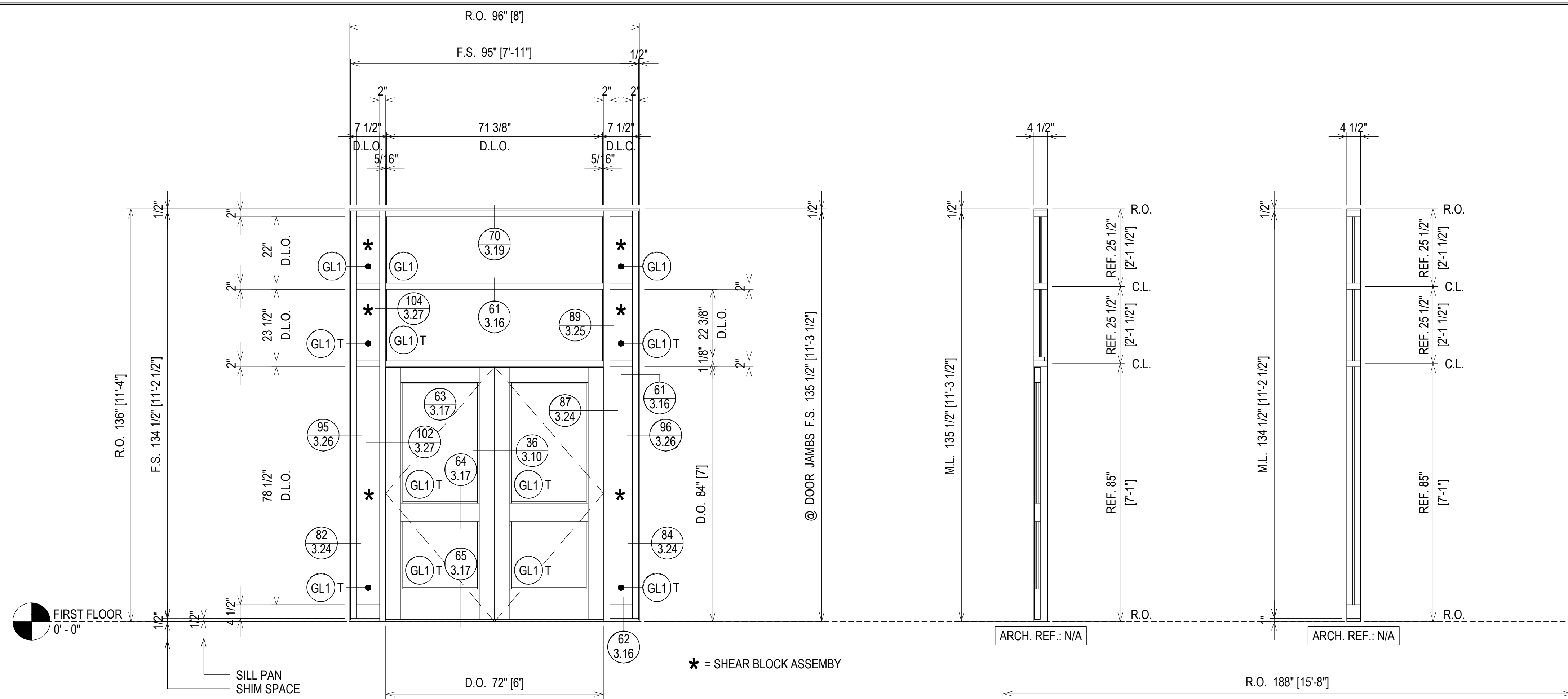
BETHEL HANBERRY ELEMENTARY SCHOOL
 EXTERIOR SUBMITTAL
 125 BONEY ROAD, BLYTHEWOOD, SC 29016



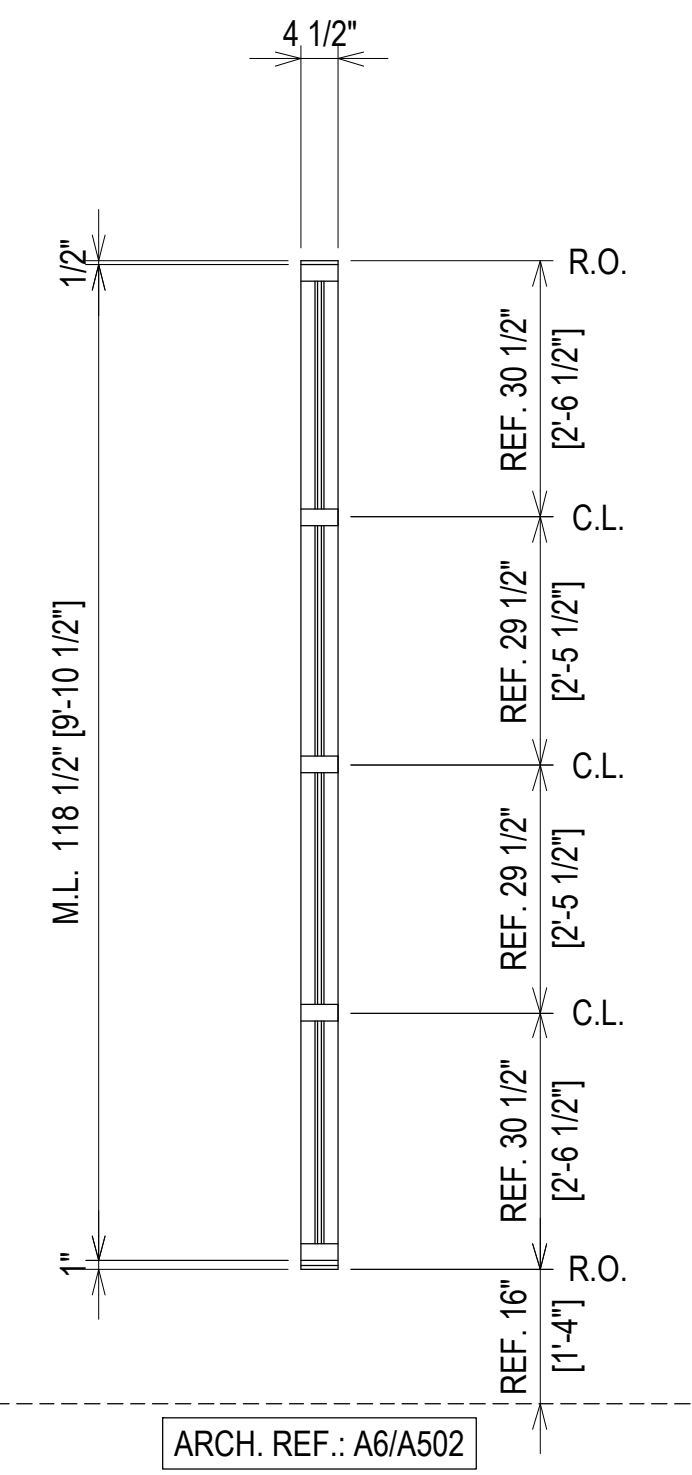
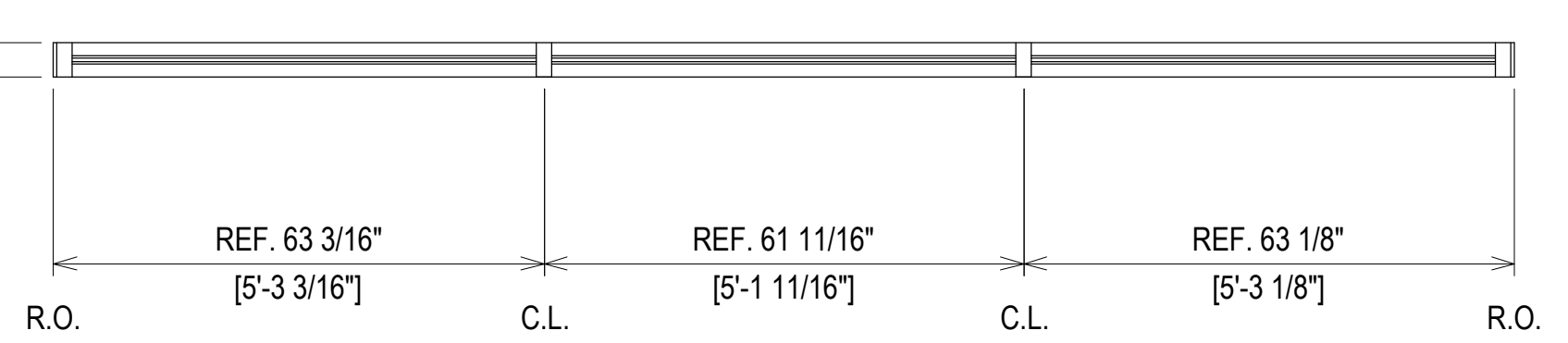
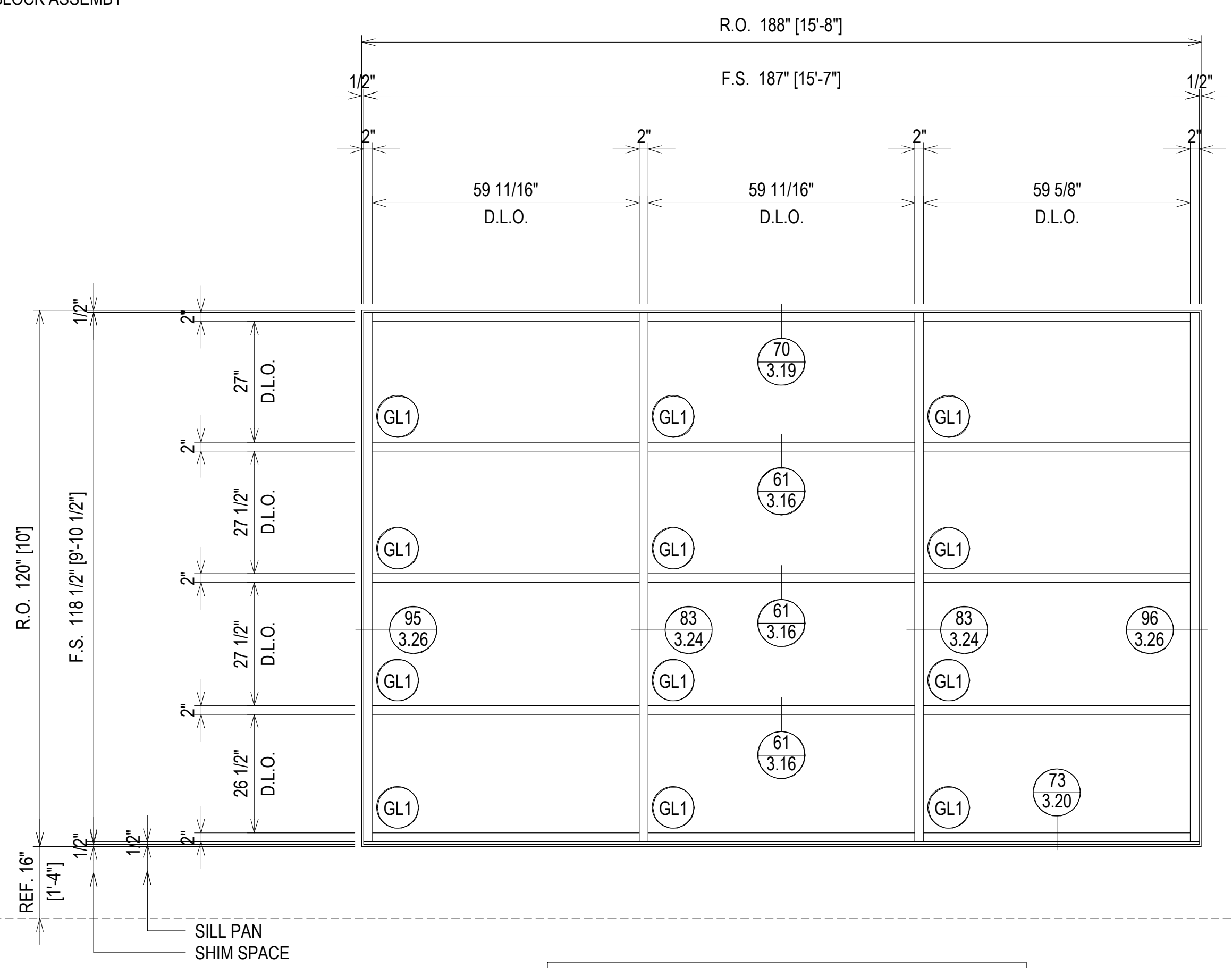
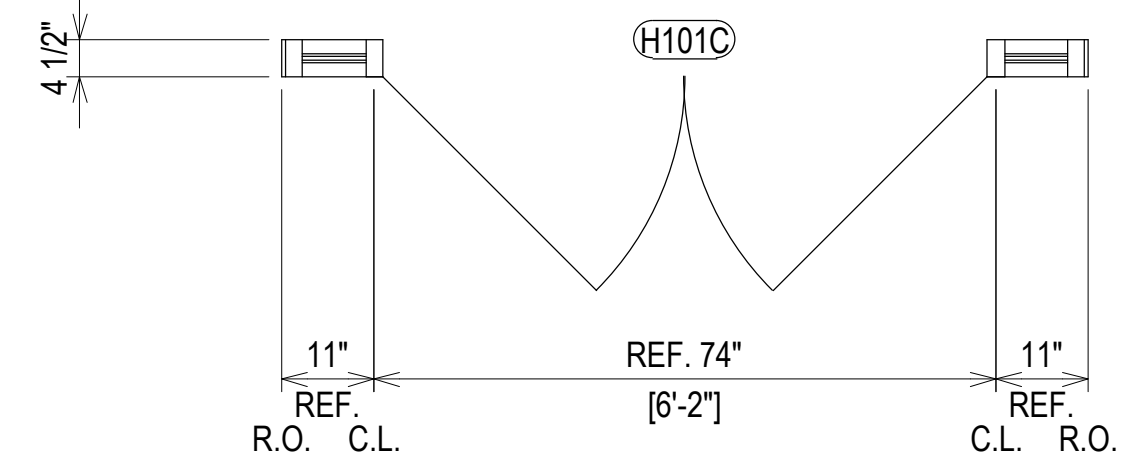
JOB #
 20-018

DRAWN BY:	DATE:
RA	04.23.21
CHECKED BY:	DATE:
EW	04.23.21

2.29



ELEVATION SF10
 SCALE: 1/2" = 1'-0"
 KAWNEER TRIFAB VG 451T - 2" X 4 1/2"
 EXTERIOR STOREFRONT
 1" INSULATED GLASS (CENTER SET)
 QUANTITY: 1



ELEVATION SF11
 SCALE: 1/2" = 1'-0"
 KAWNEER TRIFAB VG 451T - 2" X 4 1/2"
 EXTERIOR STOREFRONT
 1" INSULATED GLASS (CENTER SET)
 QUANTITY: 2

ERECTOR / G.C. NOTE:
 PLEASE FIELD VERIFY ALL DIMENSIONS

REV.	DESCRIPTION	DATE
1	1ST REVISION (RA)	06.19.21
2	2ND REVISION (ENGINEERING)	08.03.21
3	3RD REVISION (BULLET RESISTANT)	08.03.21
NO	DESCRIPTION	

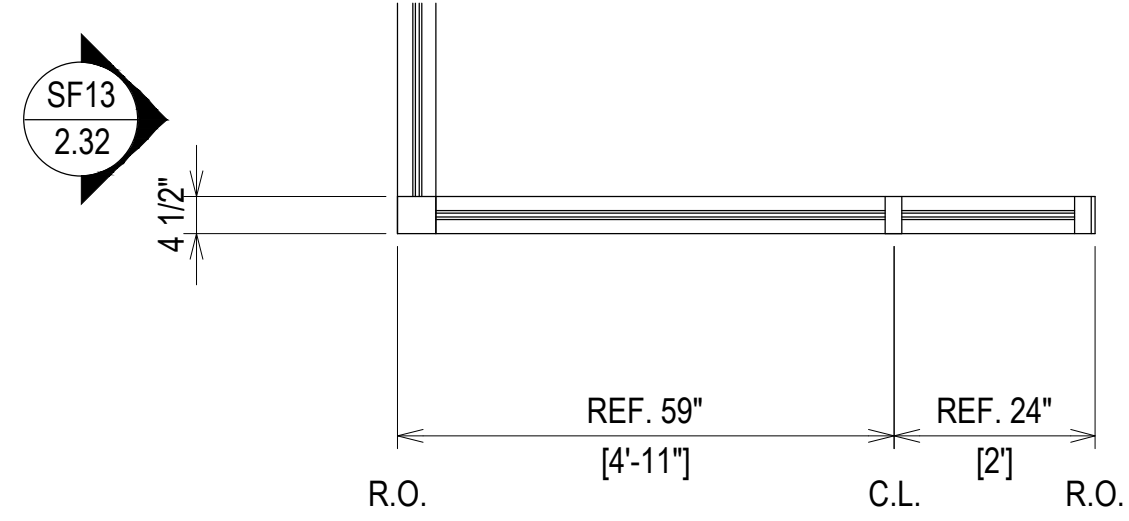
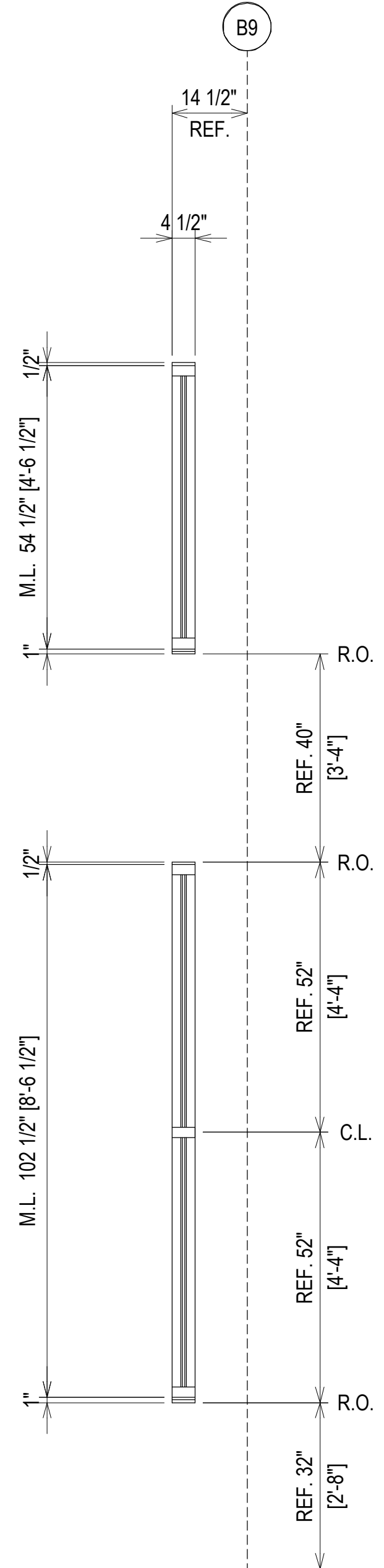
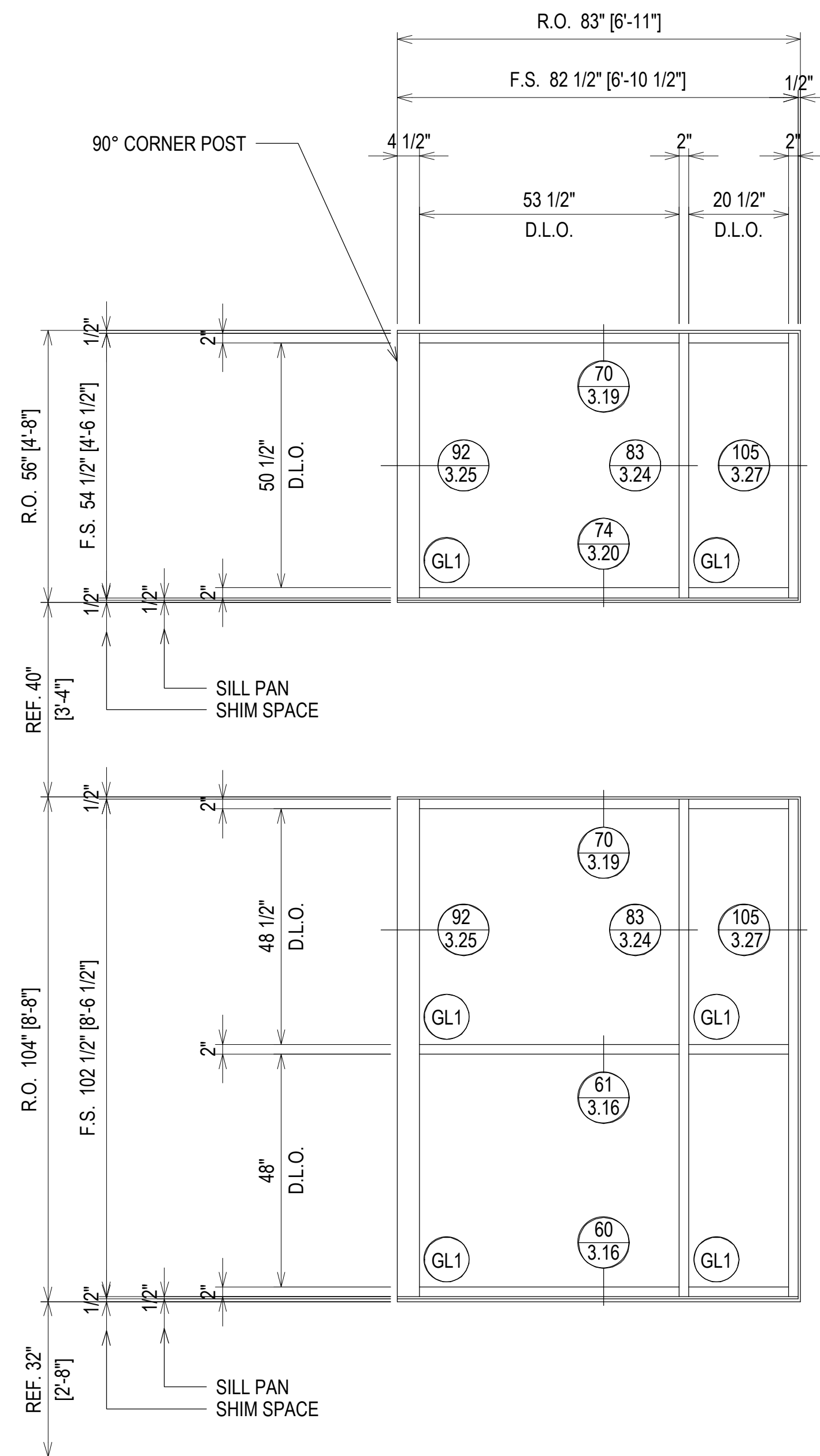
BETHEL HANBERRY ELEMENTARY SCHOOL
 EXTERIOR SUBMITTAL
 125 BONEY ROAD, BLYTHEWOOD, SC 29016

GRAHAM-HODGE ASSOCIATES INC.

JOB #
 20-018

DRAWN BY:	DATE:
RA	04.23.21
CHECKED BY:	DATE:
EW	04.23.21

2.30



ELEVATION SF12
 SCALE: 1/2" = 1'-0"
 KAWNEER TRIFAB VG 451T - 2" X 4 1/2"
 EXTERIOR STOREFRONT
 1" INSULATED GLASS (CENTER SET)
 QUANTITY: 1

ARCH. REF.: A6/A504

REV.	DESCRIPTION	DATE
1	1ST REVISION (RA)	06.19.21
2	2ND REVISION (ENGINEERING)	08.08.21
3	3RD REVISION (BULLET RESISTANT)	08.03.21
NO	DESCRIPTION	

BETHEL HANBERRY ELEMENTARY SCHOOL
 EXTERIOR SUBMITTAL
 125 BONEY ROAD, BLYTHEWOOD, SC 29016



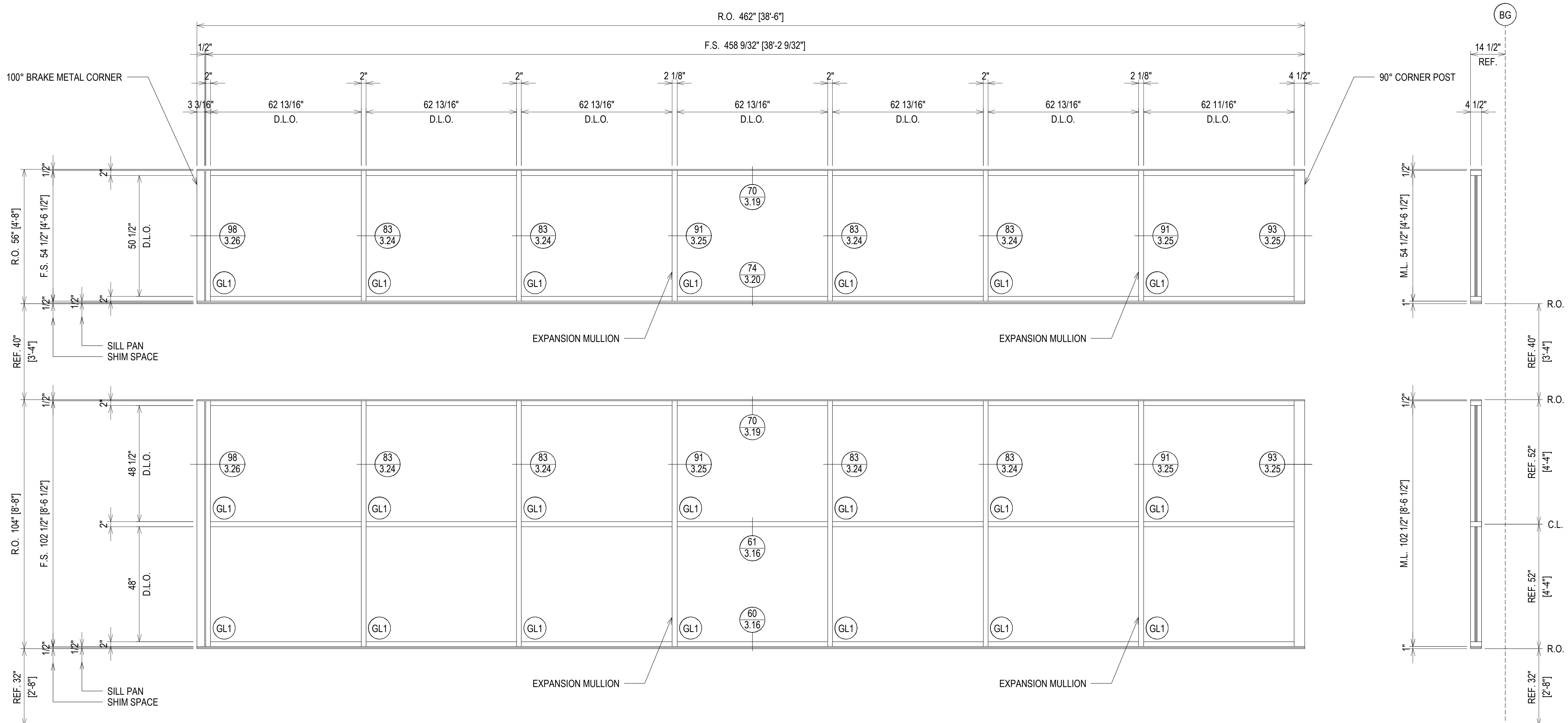
JOB #
20-018

DRAWN BY:	DATE:
RA	04.23.21
CHECKED BY:	DATE:
EW	04.23.21

ERECTOR / G.C. NOTE:
PLEASE FIELD VERIFY ALL DIMENSIONS

2.31

DRAWING SUBMISSION



100° BRAKE METAL CORNER
 100°
 SILL PAN SHIM SPACE

90° CORNER POST
 REF. 14 1/2"
 4 1/2"

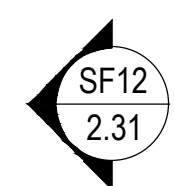
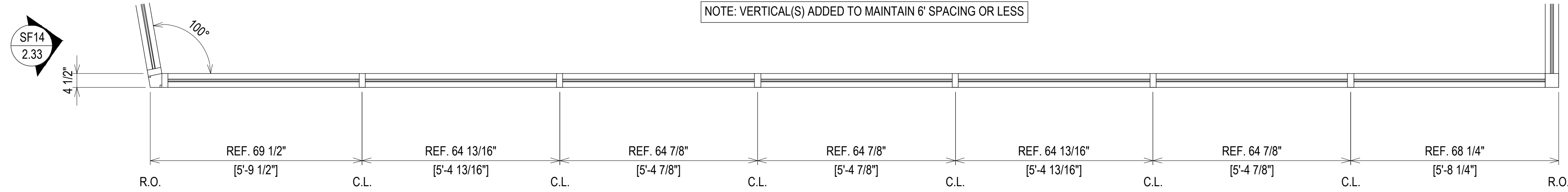
EXPANSION MULLION

EXPANSION MULLION

EXPANSION MULLION

EXPANSION MULLION

ARCH. REF.: A6/A504



ELEVATION SF13
 SCALE: 1/2" = 1'-0"
 KAWNEER TRIFAB VG 451T - 2" X 4 1/2"
 EXTERIOR STOREFRONT
 1" INSULATED GLASS (CENTER SET)
 QUANTITY: 1

ERECTOR / G.C. NOTE:
 PLEASE FIELD VERIFY ALL DIMENSIONS

REV.	DESCRIPTION	DATE
1	1ST REVISION (RA)	06.19.21
2	2ND REVISION (ENGINEERING)	08.03.21
3	3RD REVISION (BULLET RESISTANT)	08.03.21
NO	DESCRIPTION	

BETHEL HANBERRY ELEMENTARY SCHOOL
 EXTERIOR SUBMITTAL
 125 BONEY ROAD, BLYTHEWOOD, SC 29016

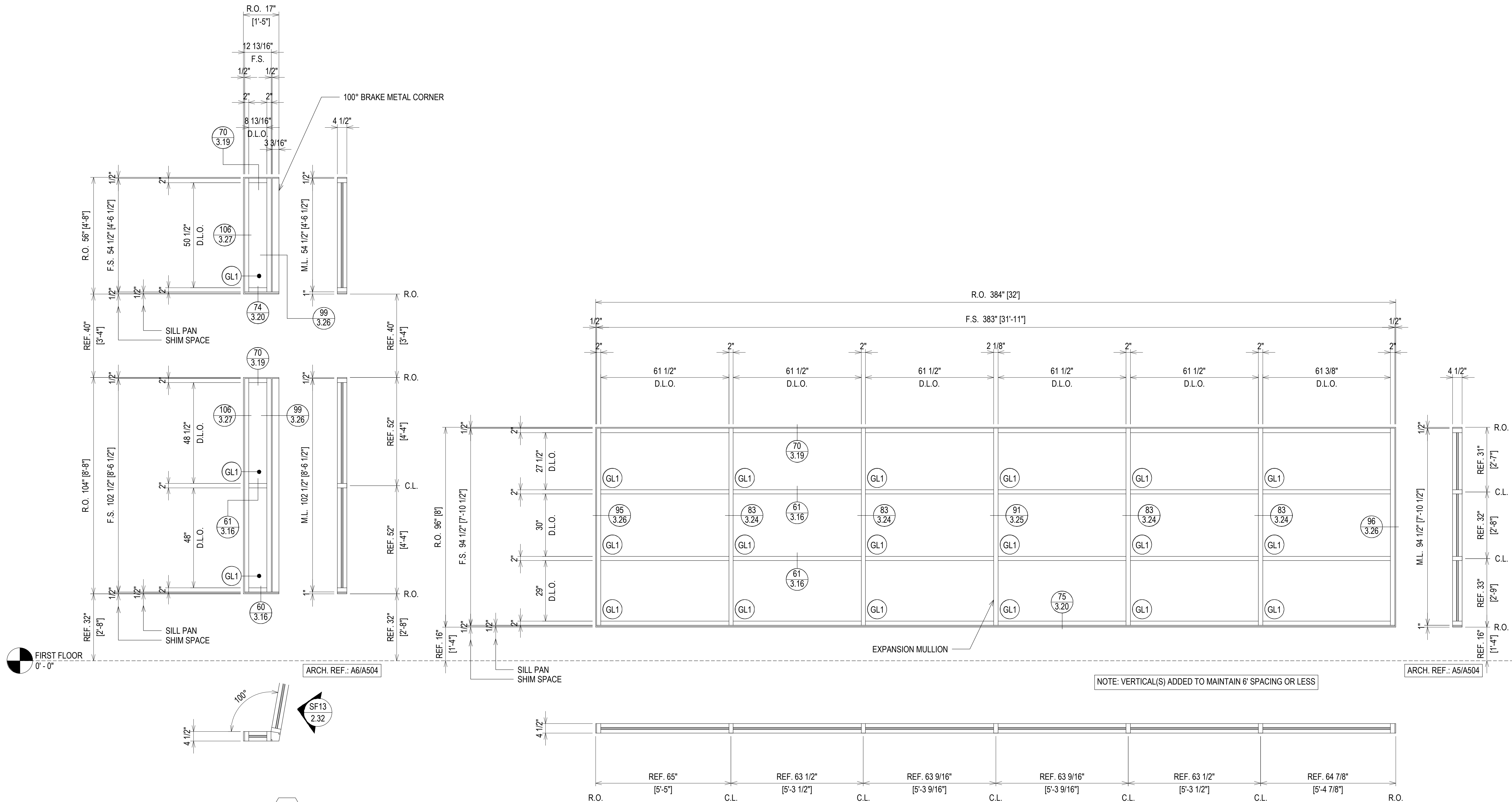


JOB #
 20-018

DRAWN BY:	DATE:
RA	04.23.21
CHECKED BY:	DATE:
EW	04.23.21

2.32

DRAWING SUBMISSION



REV.	DESCRIPTION	DATE
1	1ST REVISION (RA)	06.19.21
2	2ND REVISION (ENGINEERING)	08.03.21
3	3RD REVISION (BULLET RESISTANT)	08.03.21
NO	DESCRIPTION	

BETHEL HANBERRY ELEMENTARY SCHOOL
 EXTERIOR SUBMITTAL
 125 BONEY ROAD, BLYTHEWOOD, SC 29016

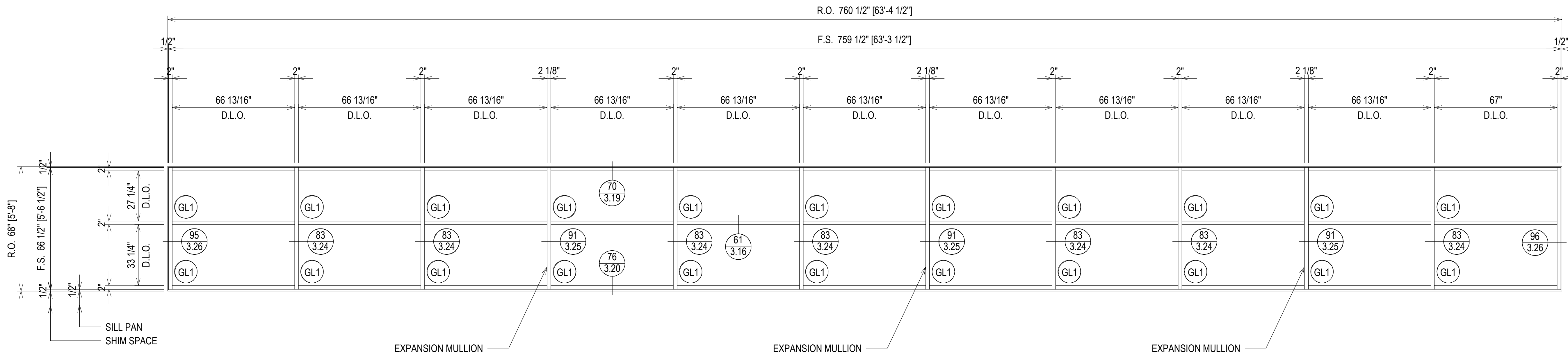


JOB #
20-018

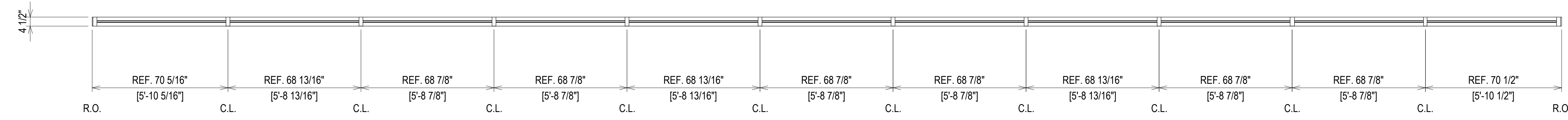
DRAWN BY:	DATE:
RA	04.23.21
CHECKED BY:	DATE:
EW	04.23.21

ERECTOR / G.C. NOTE:
PLEASE FIELD VERIFY ALL DIMENSIONS

2.33



NOTE: VERTICAL(S) ADDED TO MAINTAIN 6\"/>



ELEVATION **SF16**
 SCALE: 3/8" = 1'-0"
 KAWNEER TRIFAB VG 451T - 2" X 4 1/2"
 EXTERIOR STOREFRONT
 1" INSULATED GLASS (CENTER SET)
 QUANTITY: 1

ERECTOR / G.C. NOTE:
 PLEASE FIELD VERIFY ALL DIMENSIONS

REV.	DESCRIPTION	DATE
1	1ST REVISION (RA)	06.19.21
2	2ND REVISION (ENGINEERING)	08.03.21
3	3RD REVISION (BULLET RESISTANT)	08.03.21
NO	DESCRIPTION	

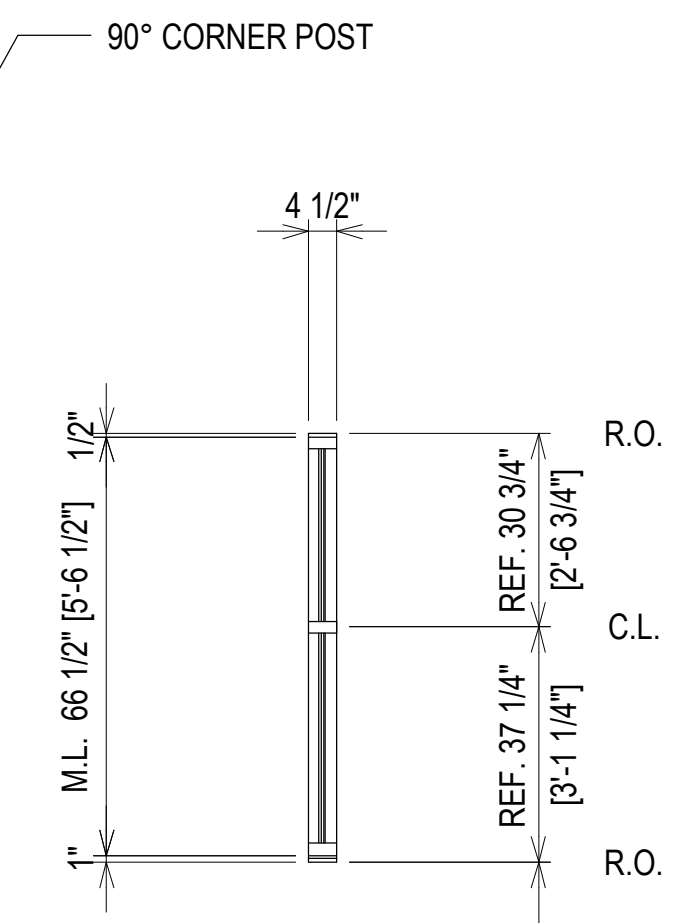
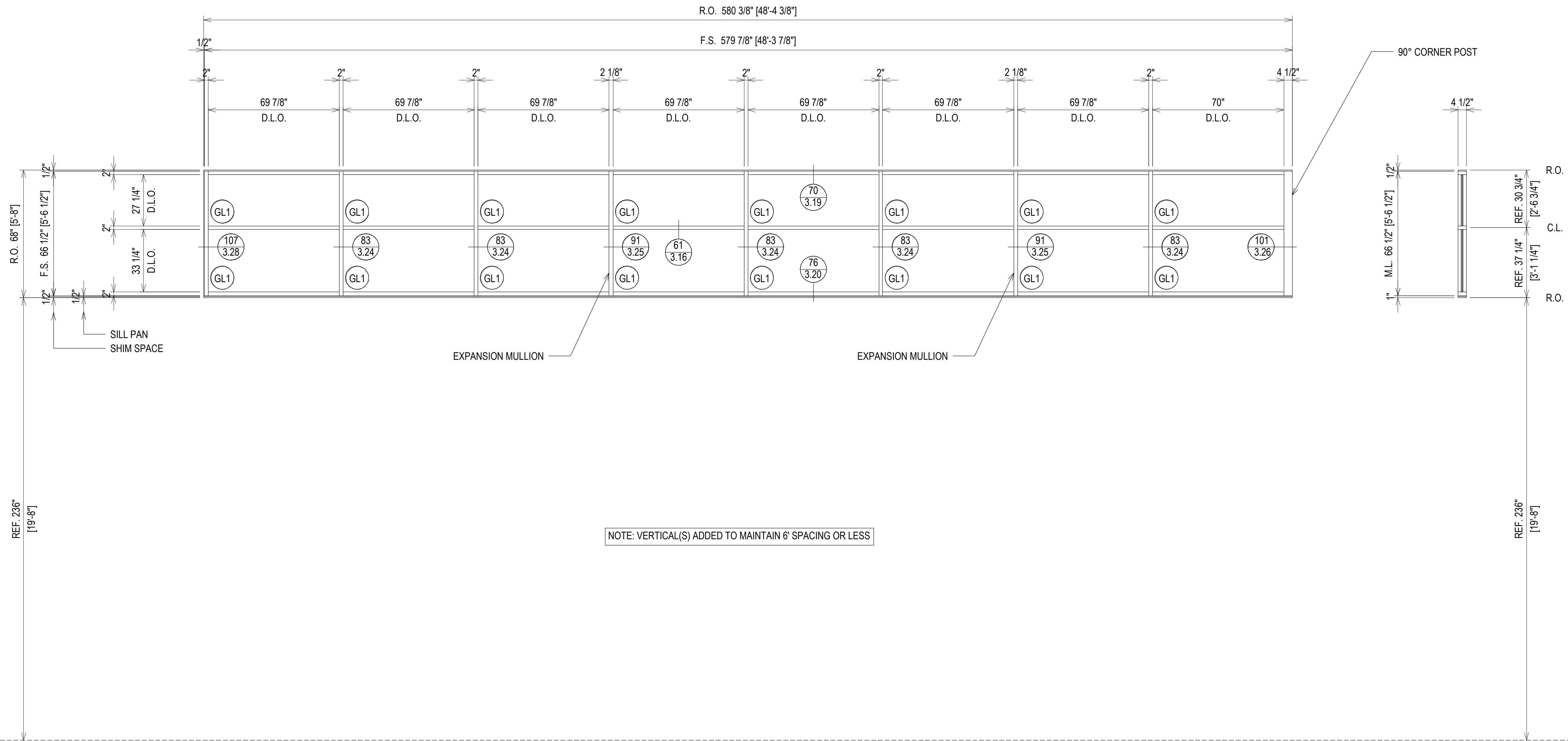
BETHEL HANBERRY ELEMENTARY SCHOOL
 EXTERIOR SUBMITTAL
 125 BONEY ROAD, BLYTHEWOOD, SC 29016

ARCH. REF.: A4/A507

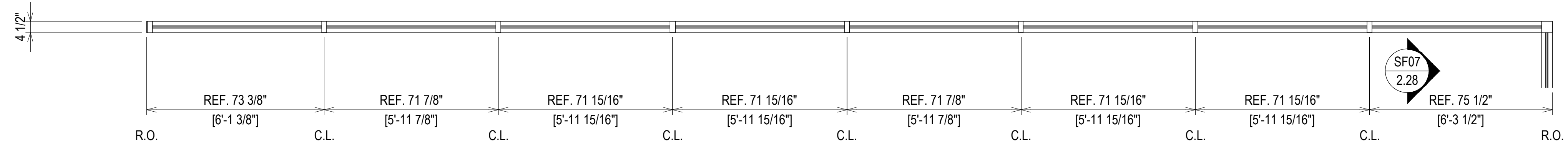
GRAHAM-HODGE ASSOCIATES INC.

JOB #
20-018

DRAWN BY:	DATE:
RA	04.23.21
CHECKED BY:	DATE:
EW	04.23.21



NOTE: VERTICAL(S) ADDED TO MAINTAIN 6" SPACING OR LESS



ELEVATION SF17
 SCALE: 3/8" = 1'-0"
 KAWNEER TRIFAB VG 451T - 2" X 4 1/2"
 EXTERIOR STOREFRONT
 1" INSULATED GLASS (CENTER SET)
 QUANTITY: 1

ERECTOR / G.C. NOTE:
 PLEASE FIELD VERIFY ALL DIMENSIONS

REV.	DESCRIPTION	DATE
1	1ST REVISION (RA)	06.19.21
2	2ND REVISION (ENGINEERING)	08.03.21
3	3RD REVISION (MULLET REVISION)	08.03.21
NO	DESCRIPTION	

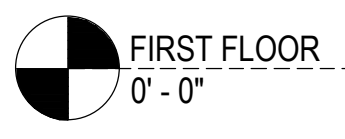
BETHEL HANBERRY ELEMENTARY SCHOOL
 EXTERIOR SUBMITTAL
 125 BONEY ROAD, BLYTHEWOOD, SC 29016

GRAHAM-HODGE ASSOCIATES INC.

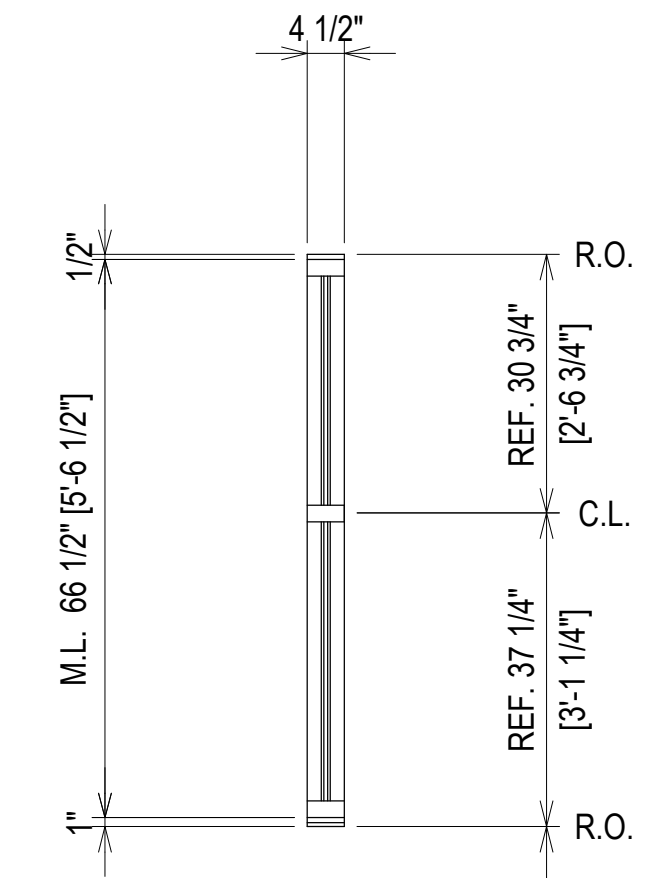
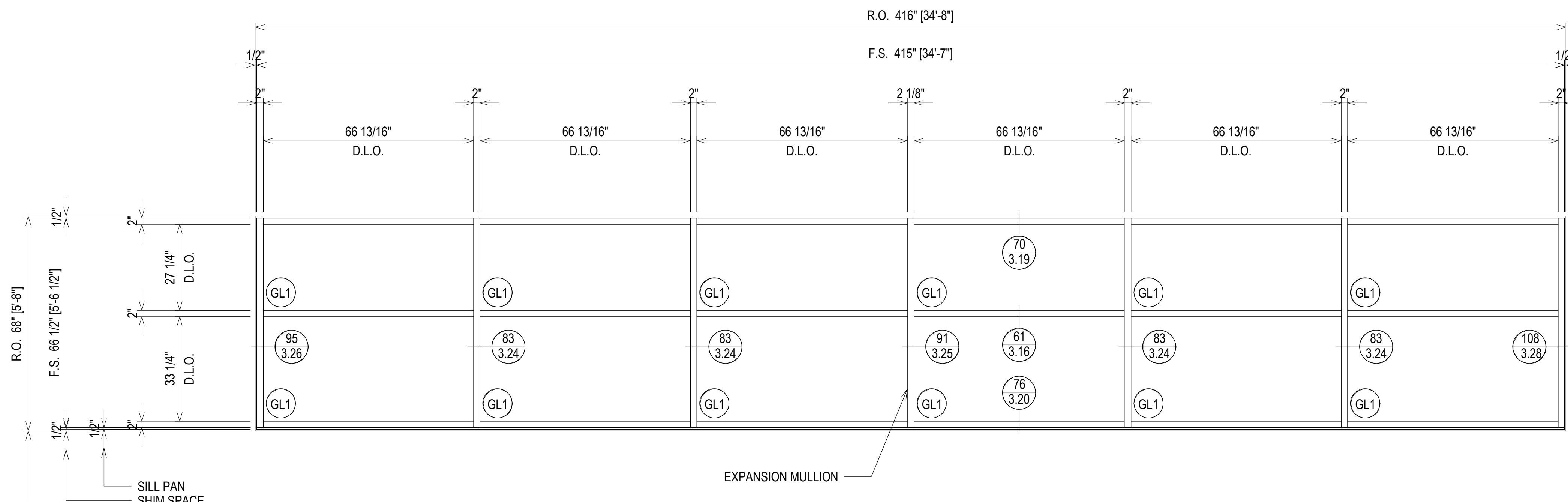
JOB #
 20-018

DRAWN BY:	DATE:
RA	04.23.21
CHECKED BY:	DATE:
EW	04.23.21

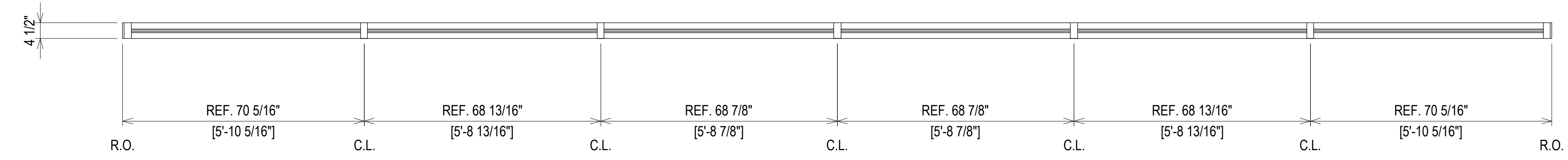
2.35



ARCH. REF.: A3/A508



NOTE: VERTICAL(S) ADDED TO MAINTAIN 6' SPACING OR LESS



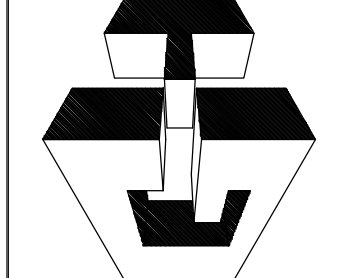
ELEVATION **SF18**
 SCALE: 1/2" = 1'-0"
 KAWNEER TRIFAB VG 451T - 2" X 4 1/2"
 EXTERIOR STOREFRONT
 1" INSULATED GLASS (CENTER SET)
 QUANTITY: 1

ERECTOR / G.C. NOTE:
 PLEASE FIELD VERIFY ALL DIMENSIONS

REV.	DESCRIPTION	DATE
1	1ST REVISION (RA)	06.19.21
2	2ND REVISION (ENGINEERING)	08.03.21
3	3RD REVISION (BULLET RESISTANT)	08.03.21
NO	DESCRIPTION	

BETHEL HANBERRY ELEMENTARY SCHOOL
 EXTERIOR SUBMITTAL
 125 BONEY ROAD, BLYTHEWOOD, SC 29016

GRAHAM-HODGE
 ASSOCIATES INC.

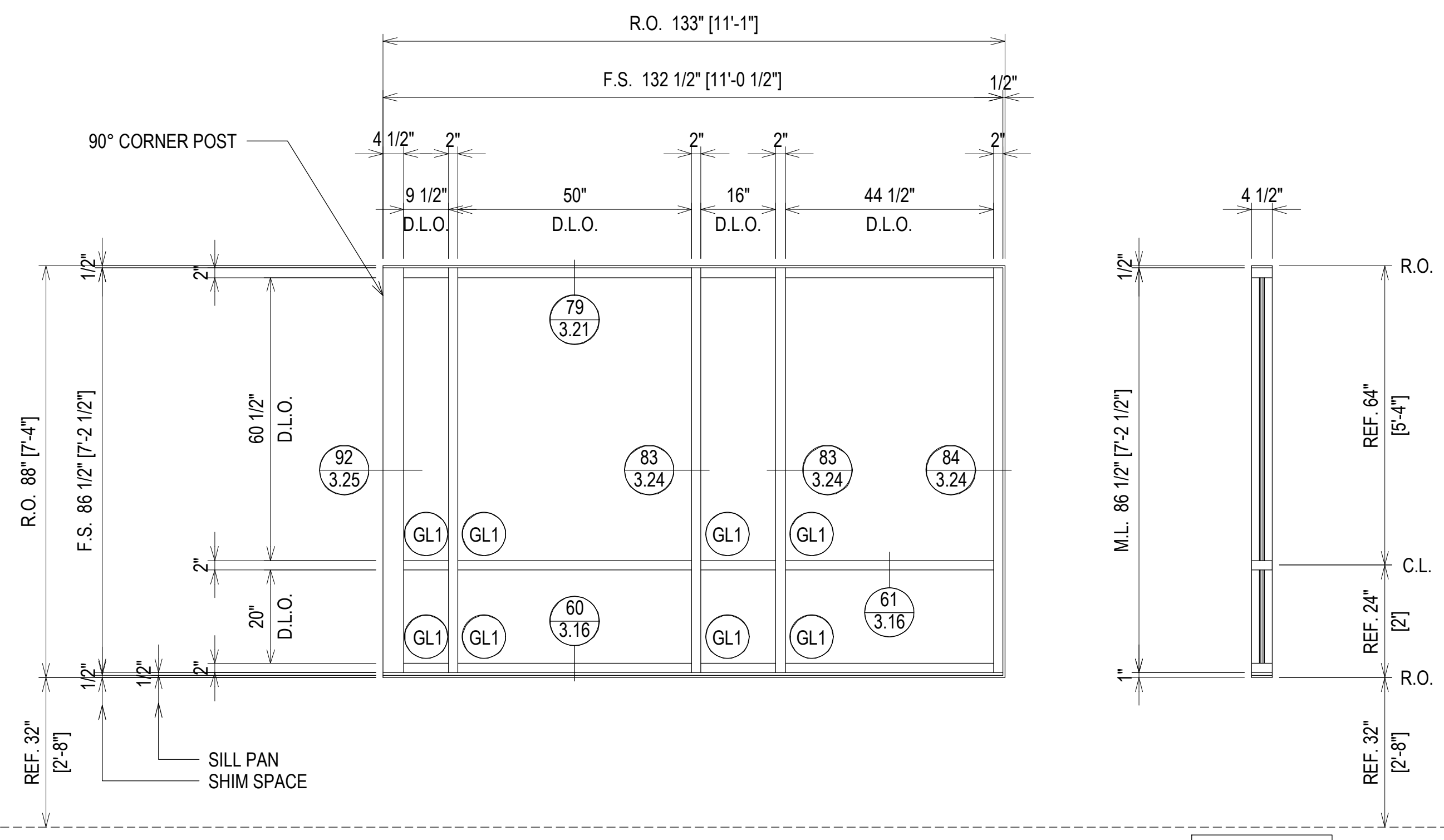
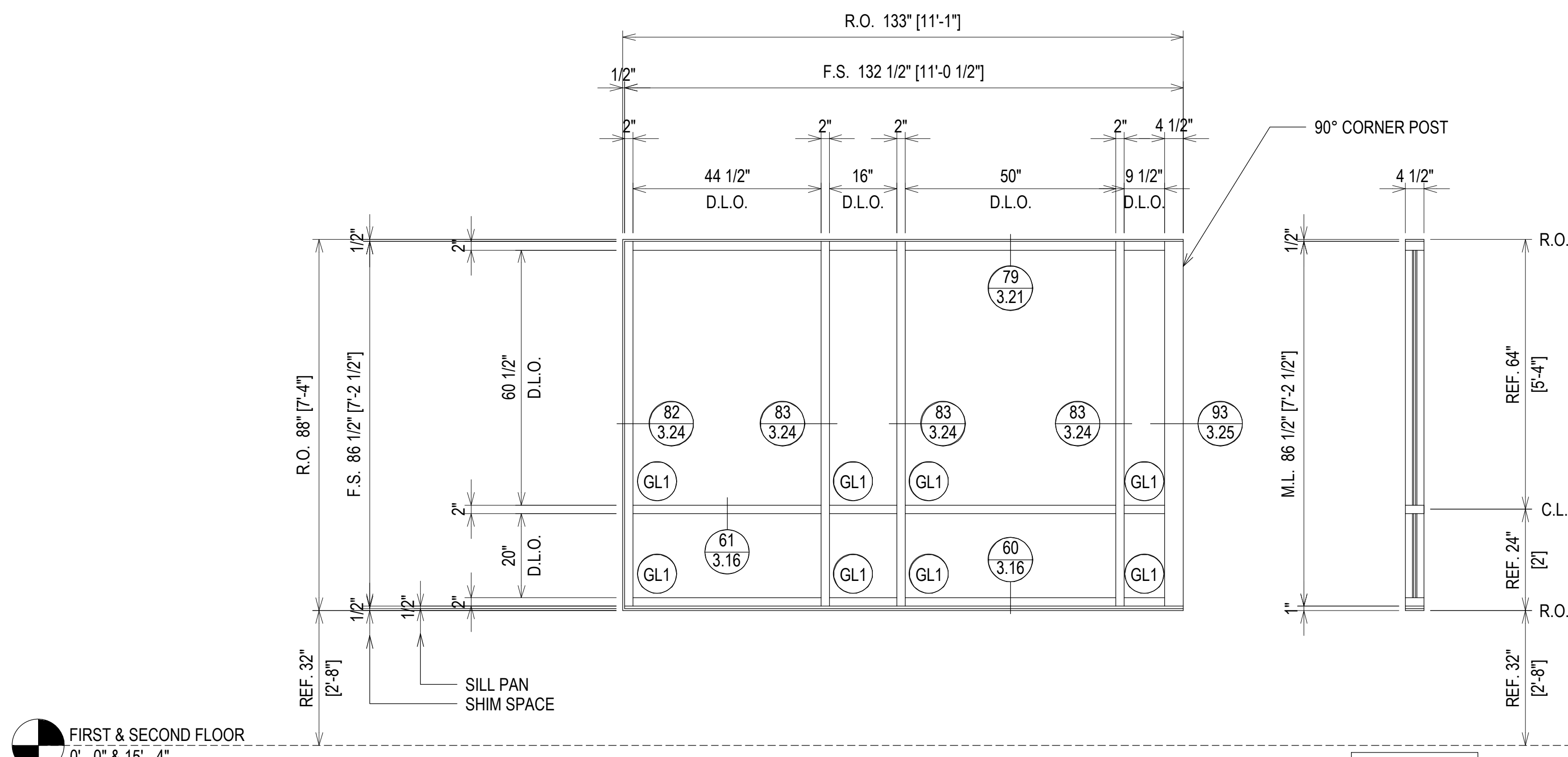


JOB #
 20-018

DRAWN BY:	DATE:
RA	04.23.21
CHECKED BY:	DATE:
EW	04.23.21

2.36

DRAWING SUBMISSION



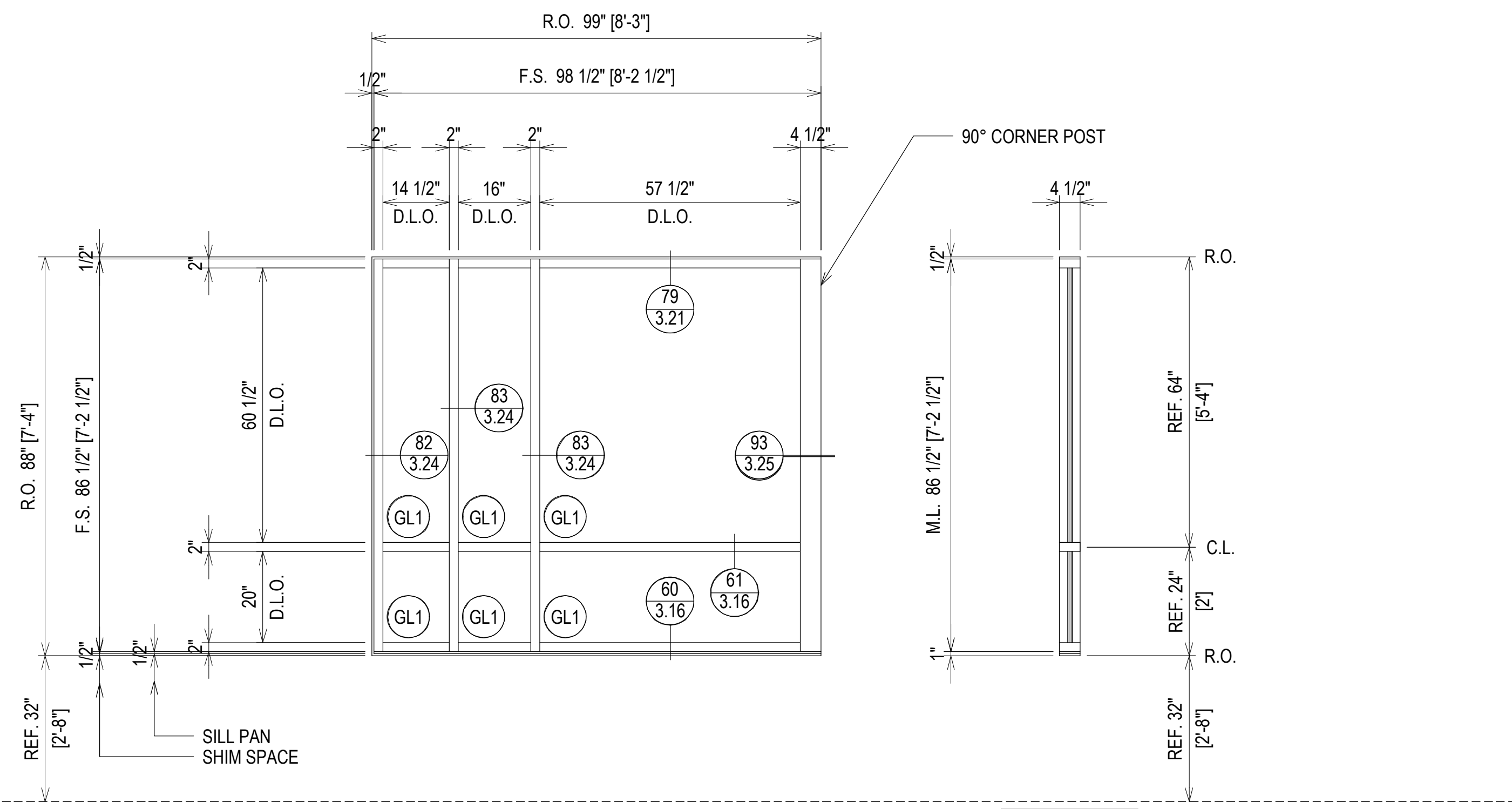
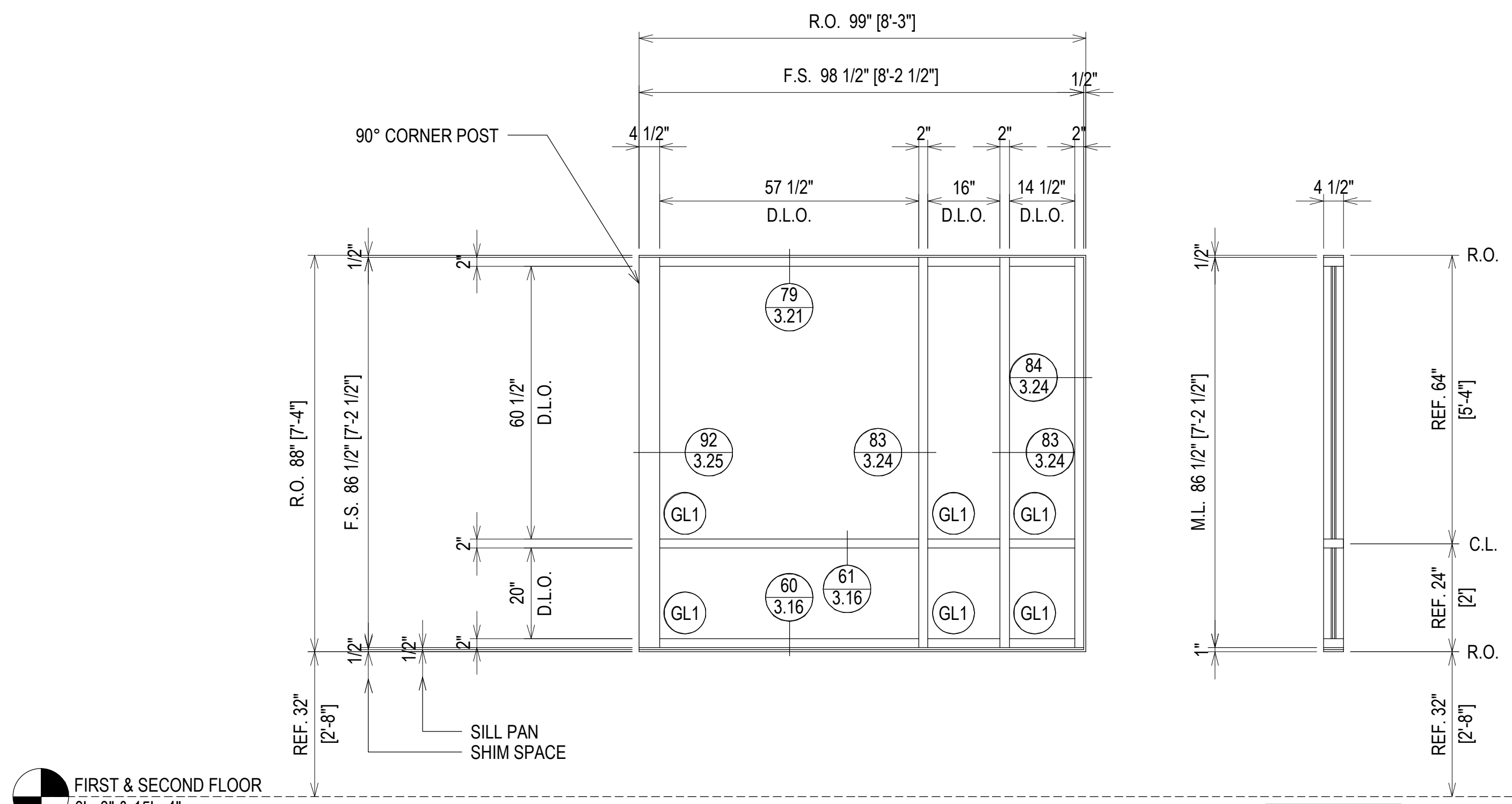
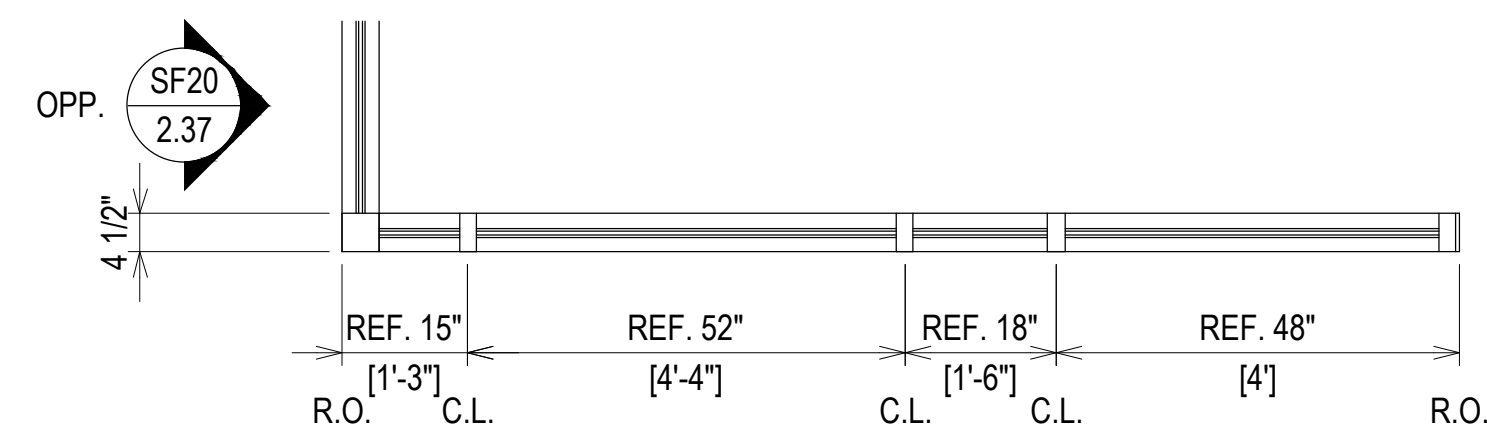
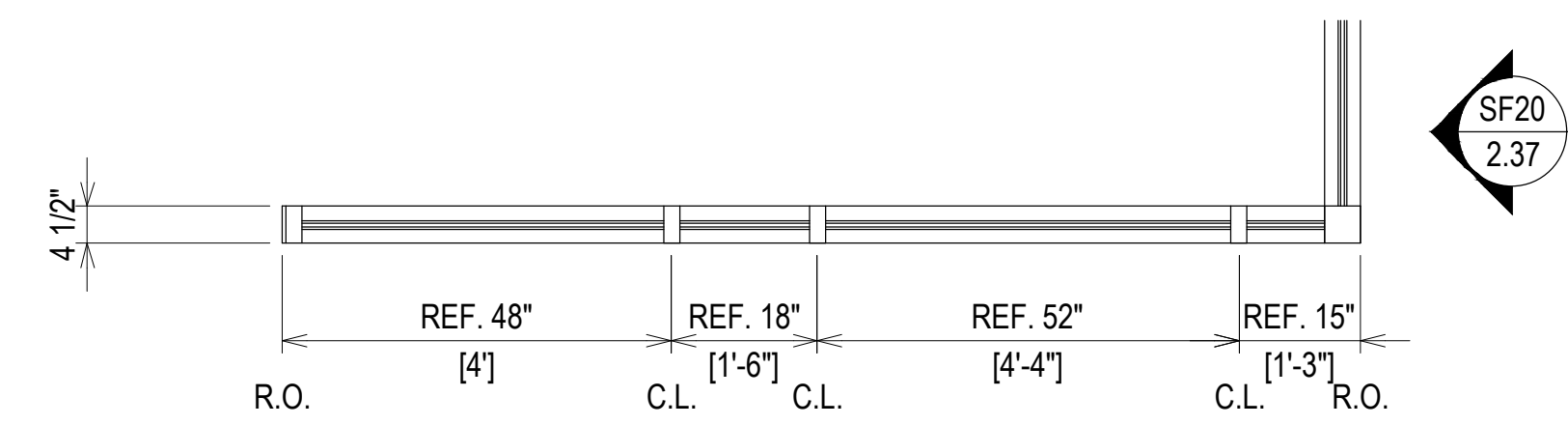
FIRST & SECOND FLOOR
0' - 0" & 15' - 4"

ARCH. REF.: N/A

ARCH. REF.: N/A

ELEVATION SF19
SCALE: 1/2" = 1'-0"
KAWNEER TRIFAB VG 451T - 2" X 4 1/2"
EXTERIOR STOREFRONT
1" INSULATED GLASS (CENTER SET)
QUANTITY: 4

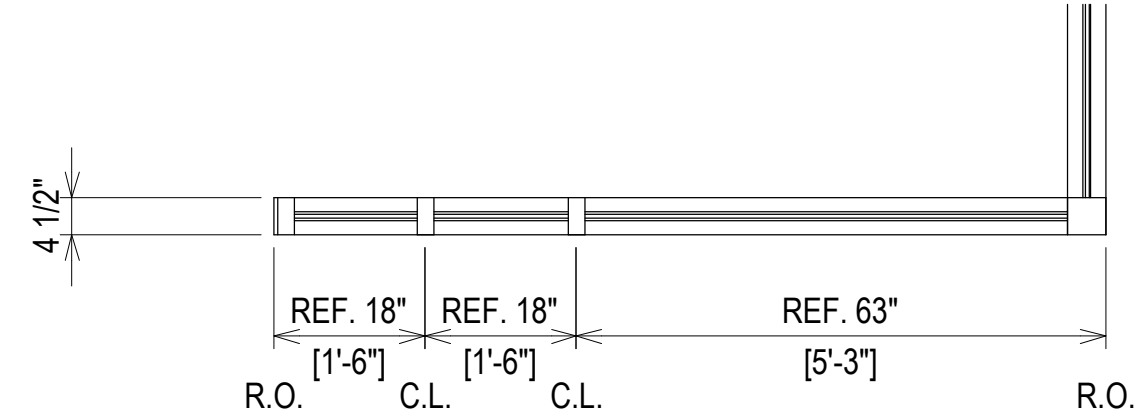
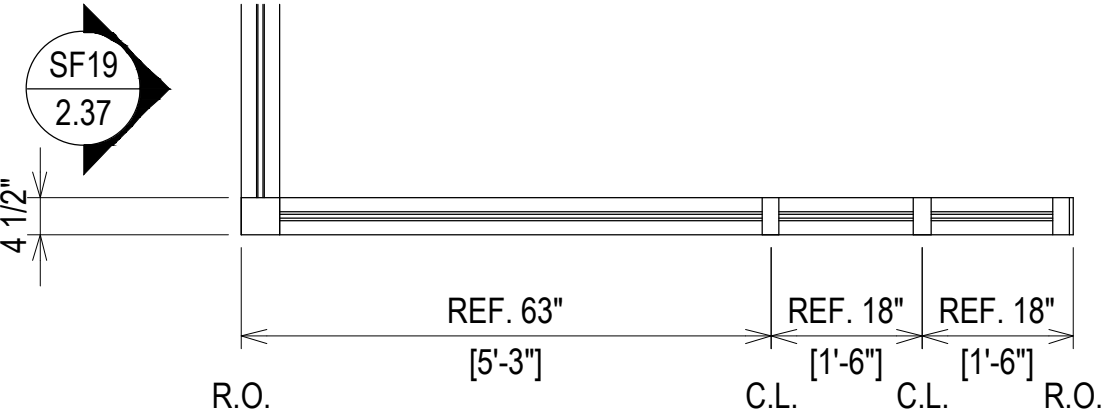
ELEVATION SF19 OPP.
SCALE: 1/2" = 1'-0"
KAWNEER TRIFAB VG 451T - 2" X 4 1/2"
EXTERIOR STOREFRONT
1" INSULATED GLASS (CENTER SET)
QUANTITY: 4



FIRST & SECOND FLOOR
0' - 0" & 15' - 4"

ARCH. REF.: N/A

ARCH. REF.: N/A



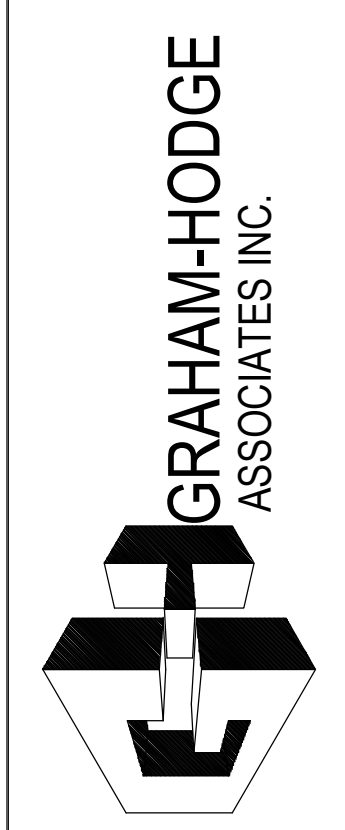
ELEVATION SF20
SCALE: 1/2" = 1'-0"
KAWNEER TRIFAB VG 451T - 2" X 4 1/2"
EXTERIOR STOREFRONT
1" INSULATED GLASS (CENTER SET)
QUANTITY: 4

ELEVATION SF20 OPP.
SCALE: 1/2" = 1'-0"
KAWNEER TRIFAB VG 451T - 2" X 4 1/2"
EXTERIOR STOREFRONT
1" INSULATED GLASS (CENTER SET)
QUANTITY: 4

ERECTOR / G.C. NOTE:
PLEASE FIELD VERIFY ALL DIMENSIONS

REV.	DESCRIPTION	DATE
1	1ST REVISION (RA)	06.19.21
2	2ND REVISION (ENGINEERING)	08.02.21
3	3RD REVISION (BULLET RESISTANT)	08.03.21
NO	DESCRIPTION	

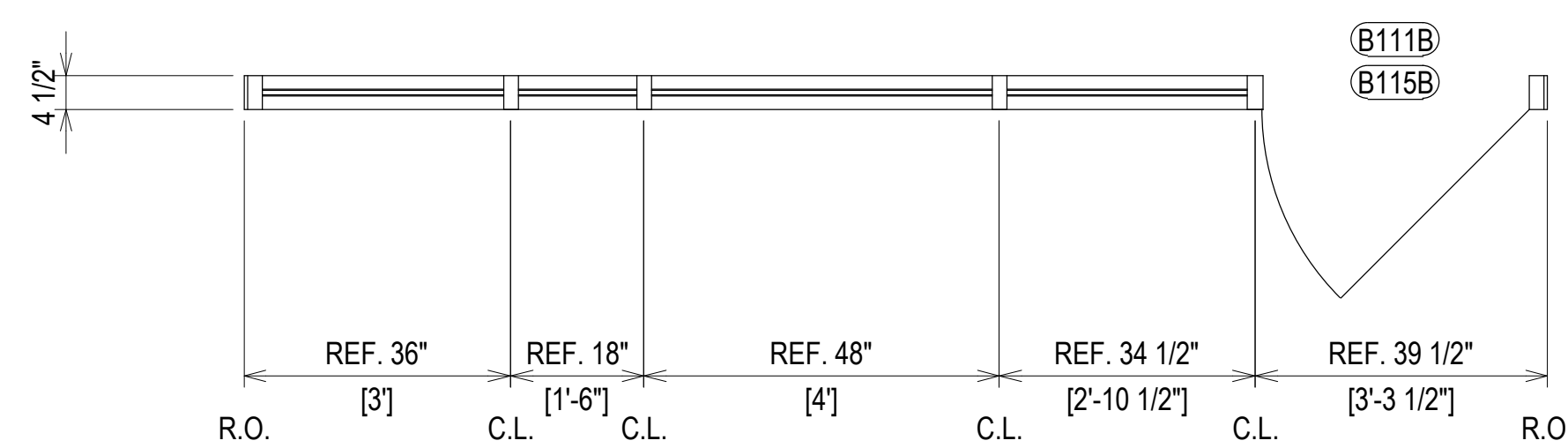
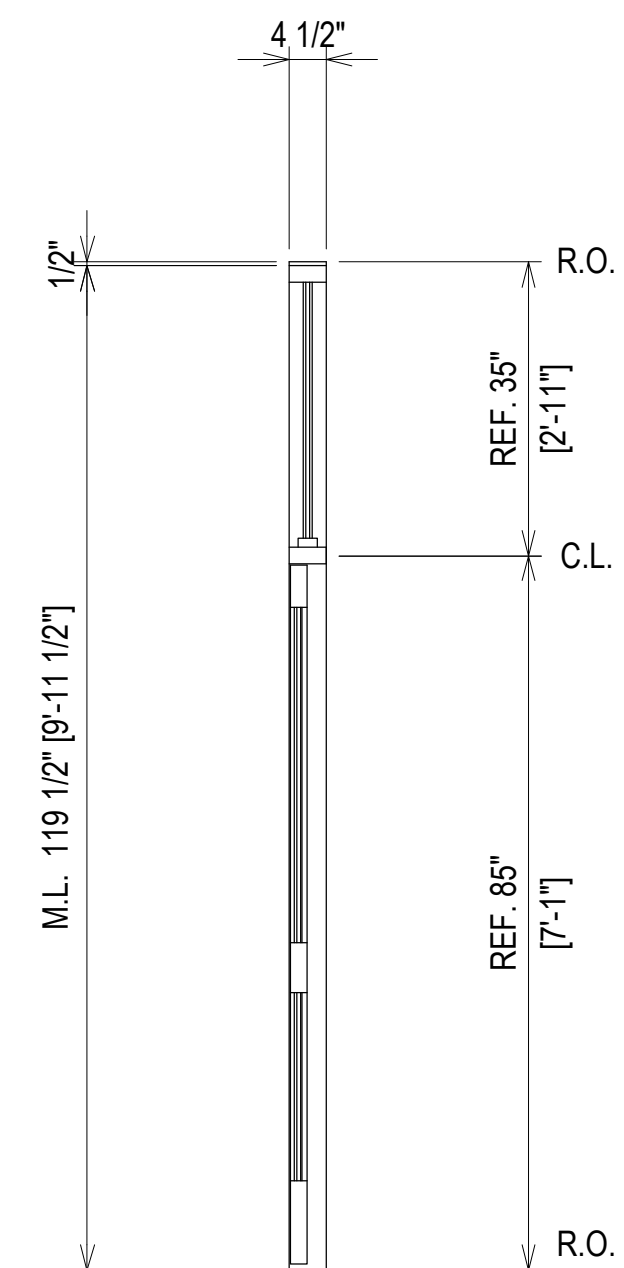
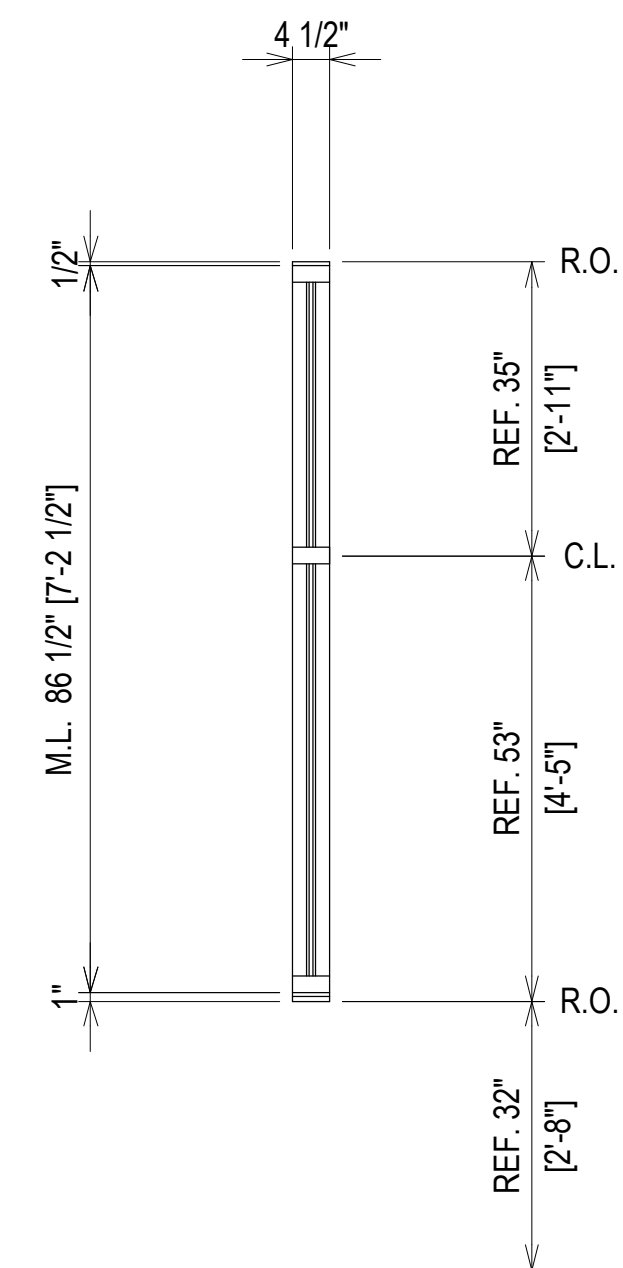
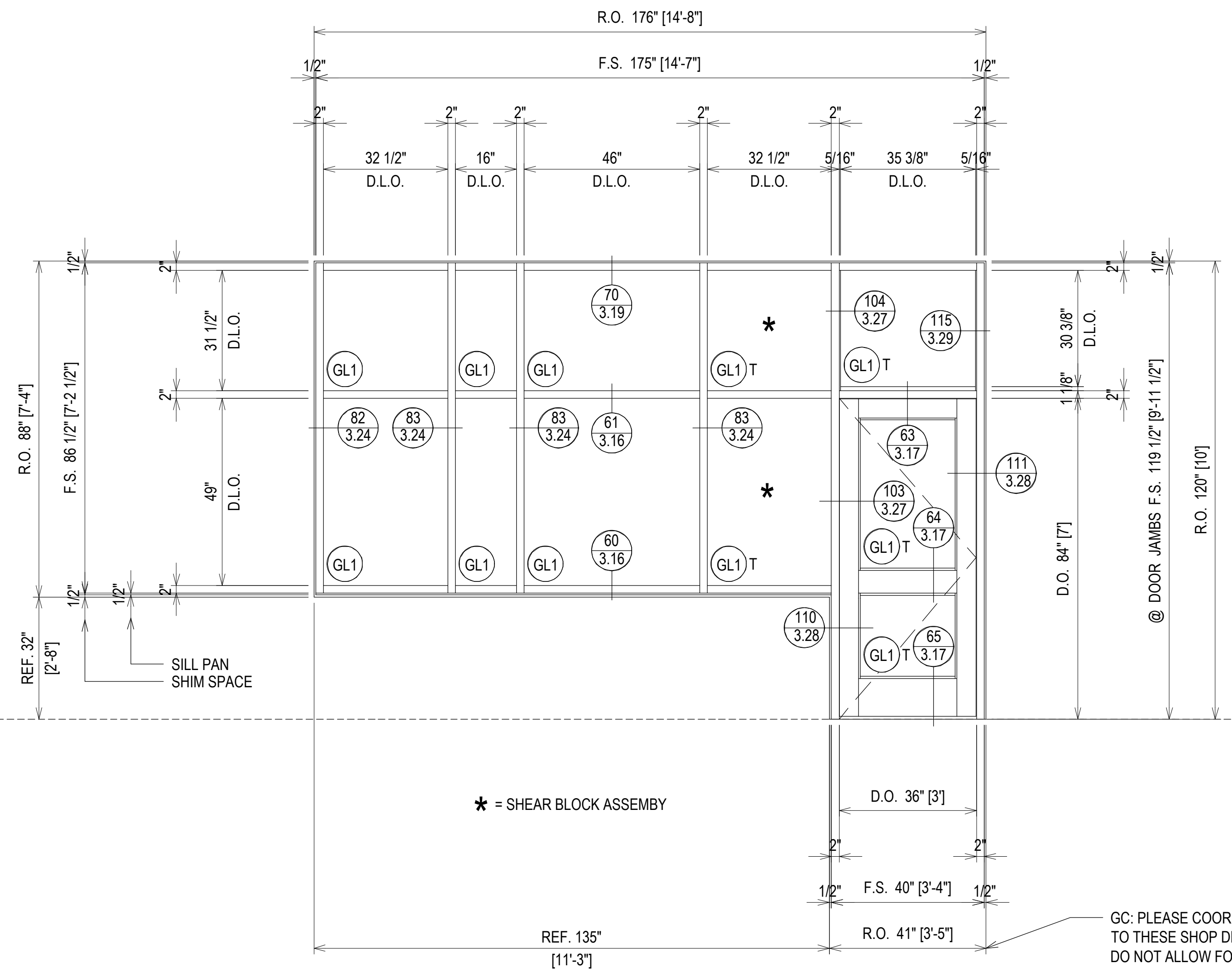
BETHEL HANBERRY ELEMENTARY SCHOOL
EXTERIOR SUBMITTAL
125 BONEY ROAD, BLYTHEWOOD, SC 29016



JOB #
20-018

DRAWN BY:	DATE:
RA	04.23.21
CHECKED BY:	DATE:
EW	04.23.21

2.37

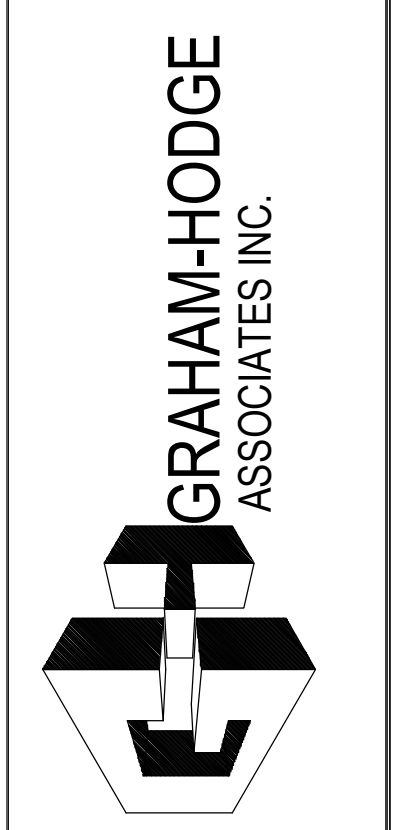


GC: PLEASE COORDINATE THE ROUGH OPENINGS TO THESE SHOP DRAWINGS. PRE MANUFACTURED DOORS DO NOT ALLOW FOR ADJUSTMENT AFTER FABRICATION.

ELEVATION SF21
 SCALE: 1/2" = 1'-0"
 KAWNEER TRIFAB VG 451T - 2" X 4 1/2"
 EXTERIOR STOREFRONT
 1" INSULATED GLASS (CENTER SET)
 QUANTITY: 2

REV.	DESCRIPTION	DATE
1	1ST REVISION (RA)	06.19.21
2	2ND REVISION (ENGINEERING)	08.03.21
3	3RD REVISION (BULLET RESISTANT)	08.03.21
NO	DESCRIPTION	

BETHEL HANBERRY ELEMENTARY SCHOOL
 EXTERIOR SUBMITTAL
 125 BONEY ROAD, BLYTHEWOOD, SC 29016

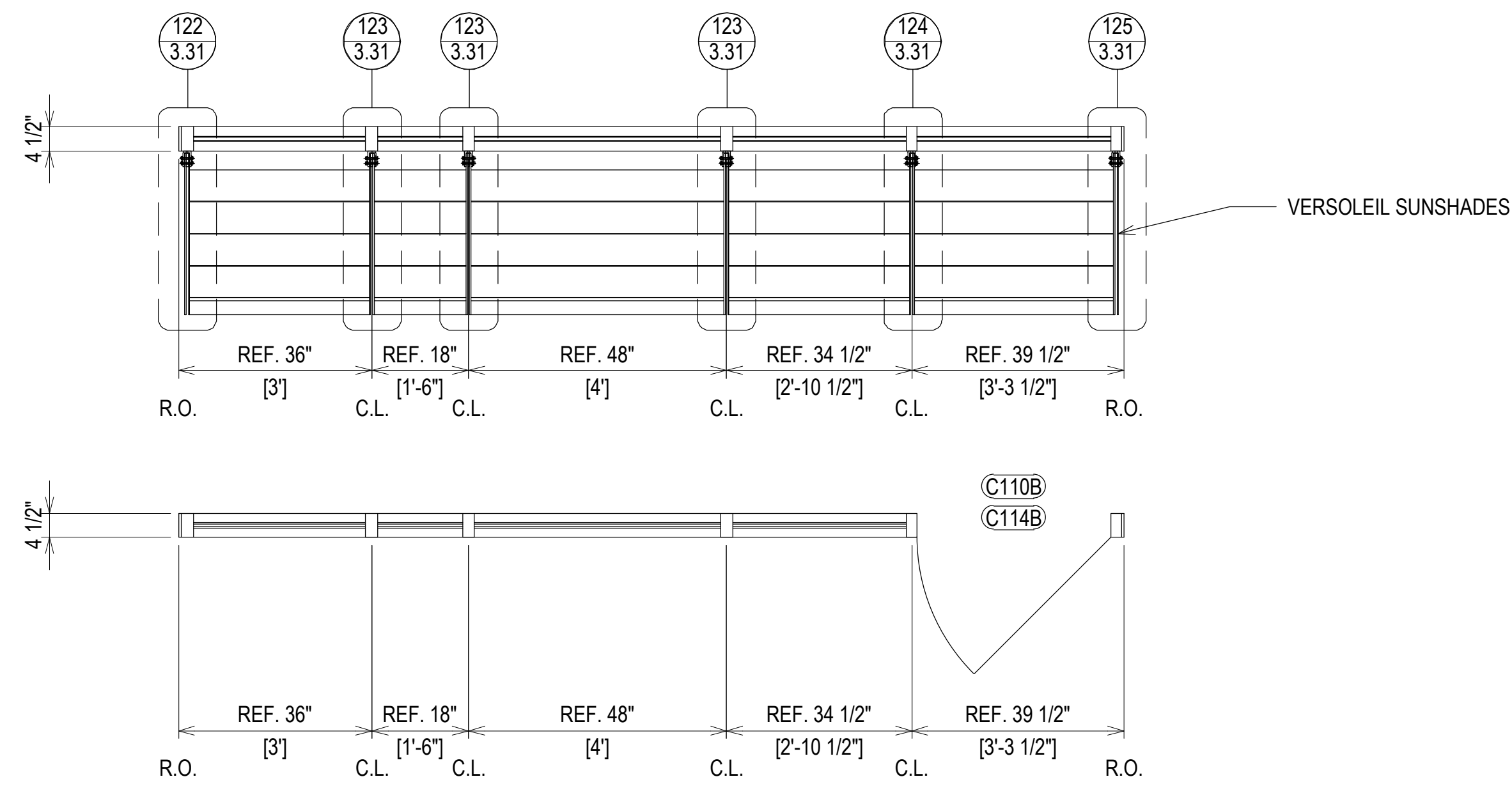
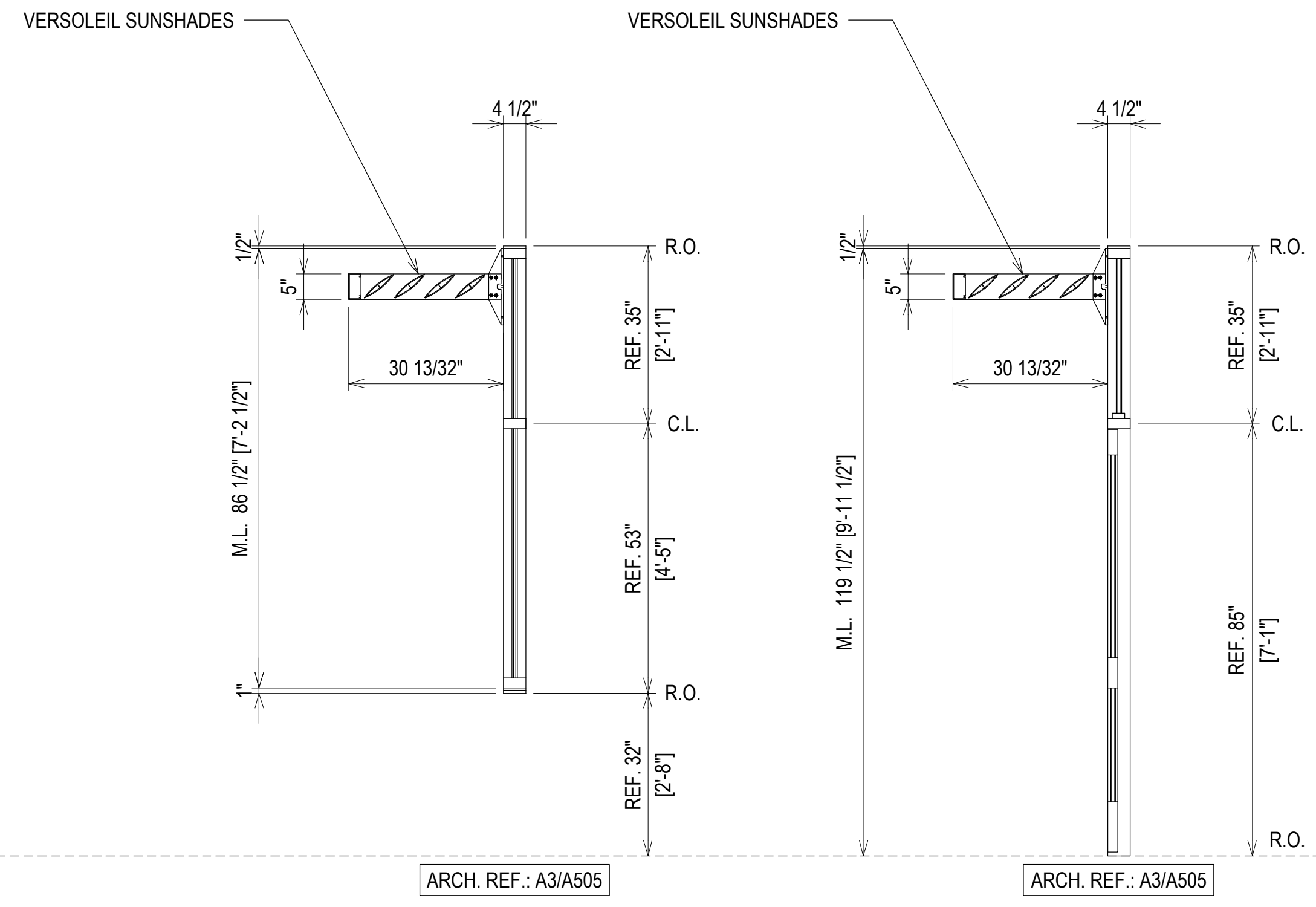
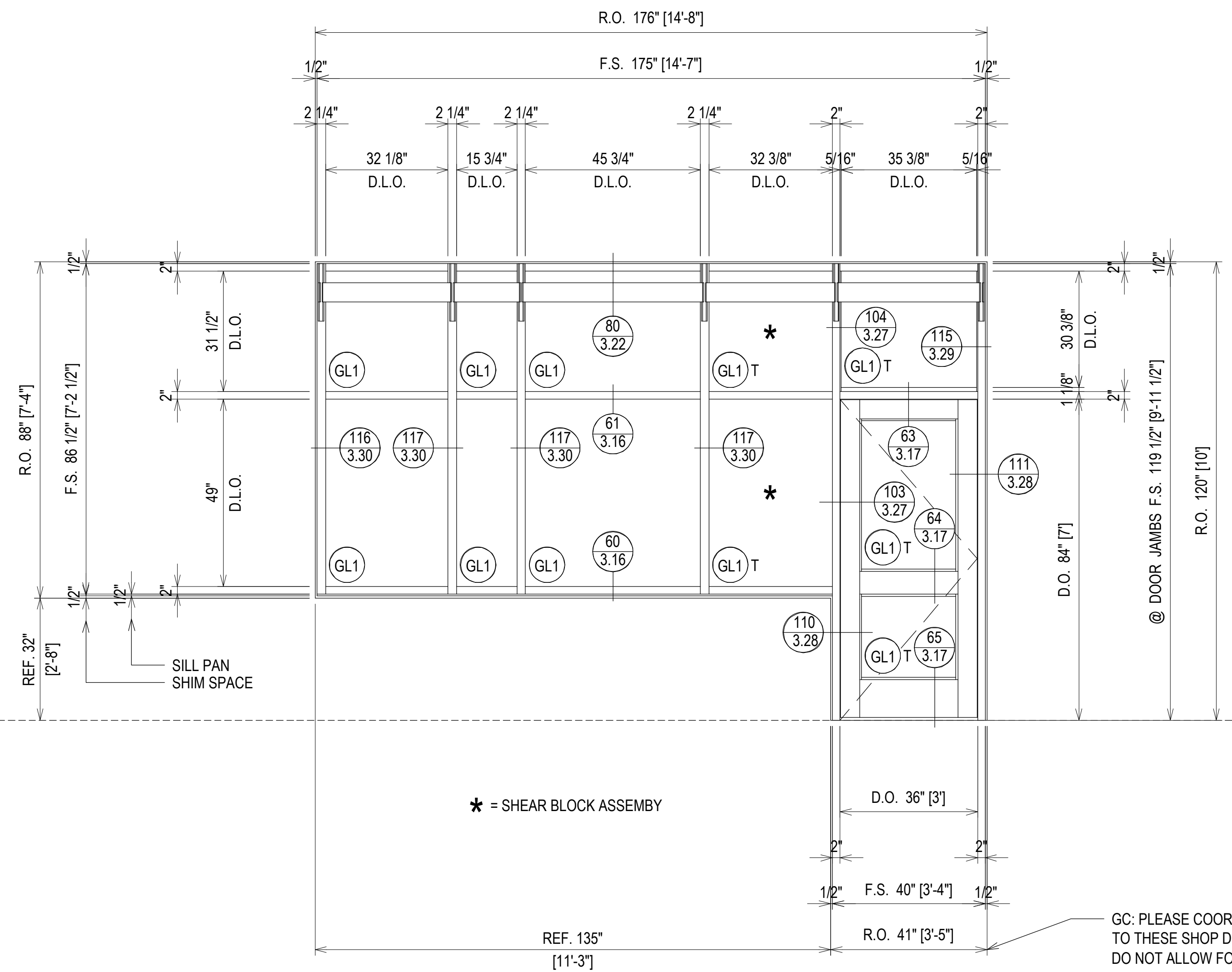


JOB #
20-018

DRAWN BY:	DATE:
RA	04.23.21
CHECKED BY:	DATE:
EW	04.23.21

ERECTOR / G.C. NOTE:
PLEASE FIELD VERIFY ALL DIMENSIONS

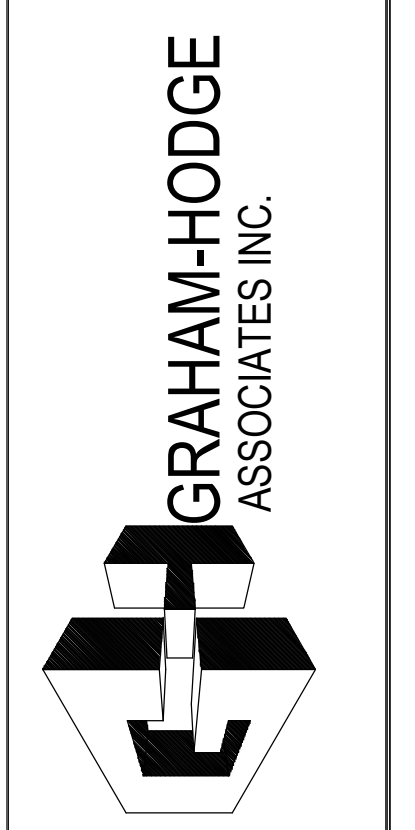
2.38



ELEVATION SF21 S.S.
 SCALE: 1/2" = 1'-0"
 KAWNEER TRIFAB VG 451T - 2" (2 1/4") X 4 1/2"
 EXTERIOR STOREFRONT
 1" INSULATED GLASS (CENTER SET)
 QUANTITY: 2

REV.	DESCRIPTION	DATE
1	1ST REVISION (RA)	06.19.21
2	2ND REVISION (ENGINEERING)	08.02.21
3	3RD REVISION (ALLET REVISION)	08.03.21
NO	DESCRIPTION	

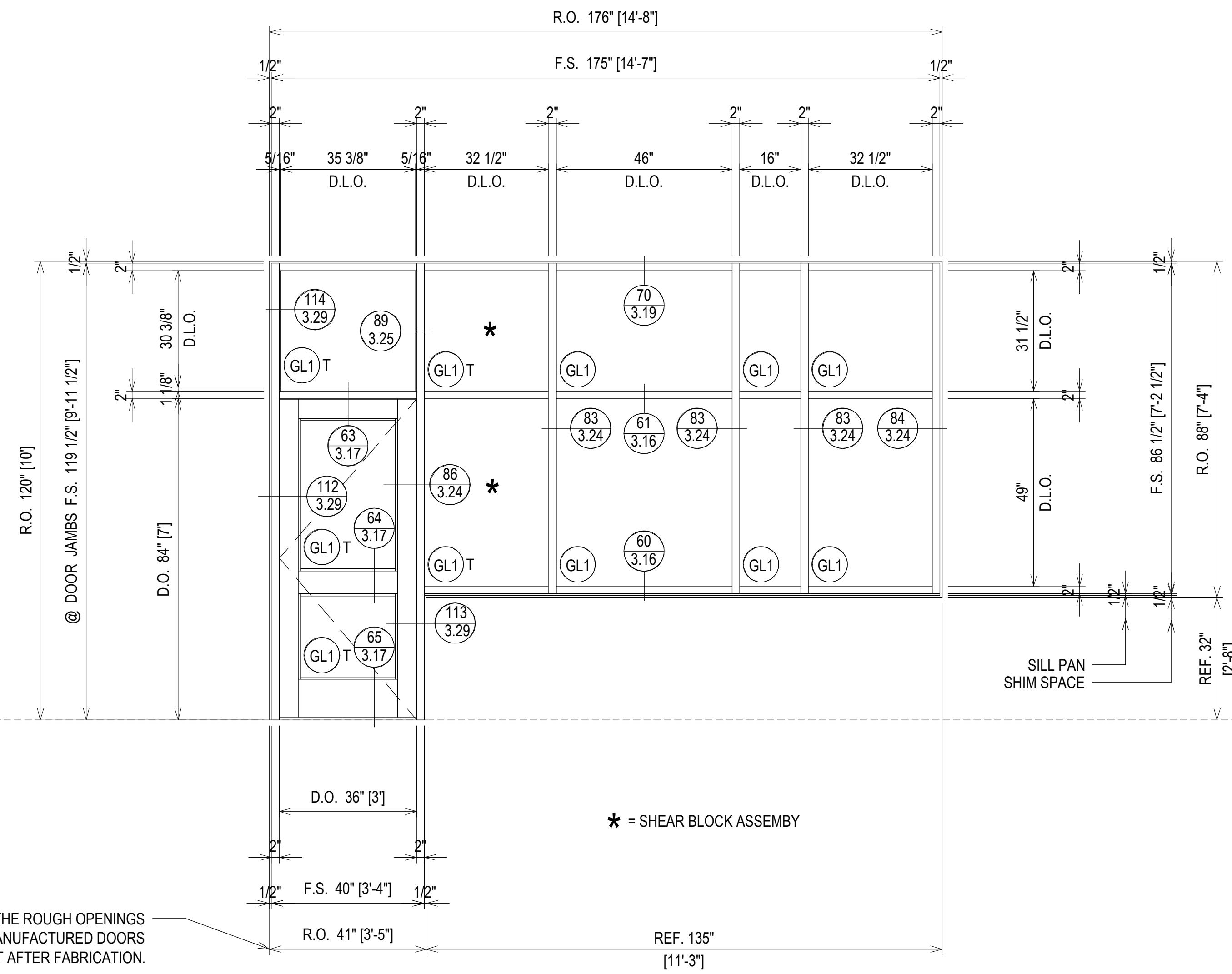
BETHEL HANBERRY ELEMENTARY SCHOOL
 EXTERIOR SUBMITTAL
 125 BONEY ROAD, BLYTHEWOOD, SC 29016



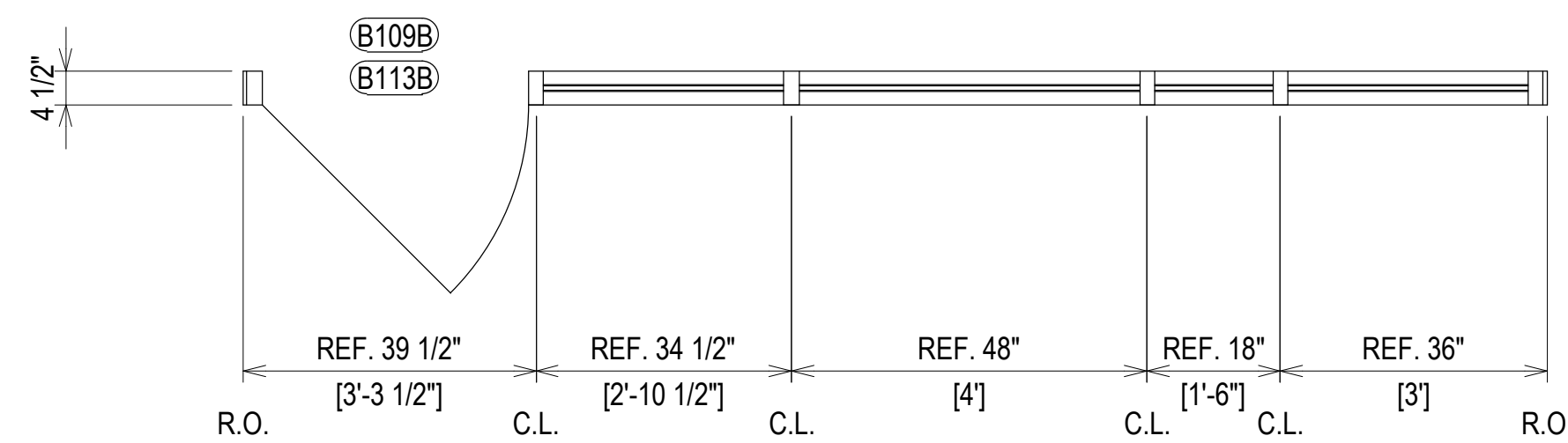
JOB #
 20-018

DRAWN BY:	DATE:
RA	04.23.21
CHECKED BY:	DATE:
EW	04.23.21

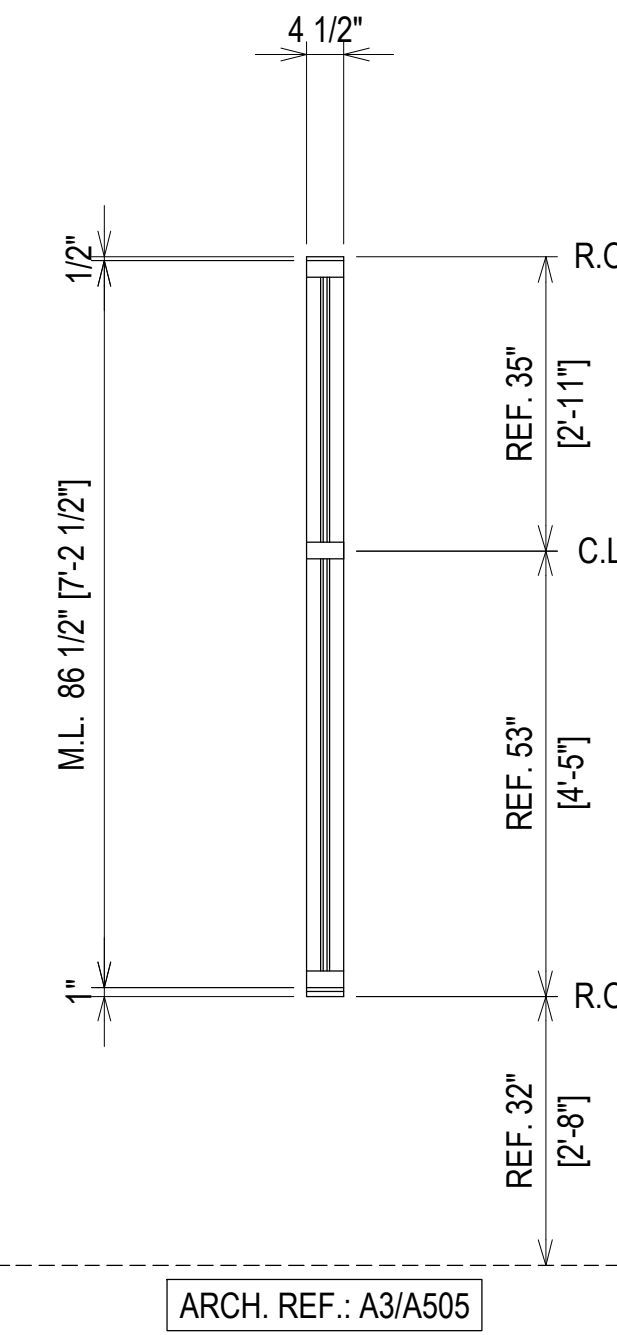
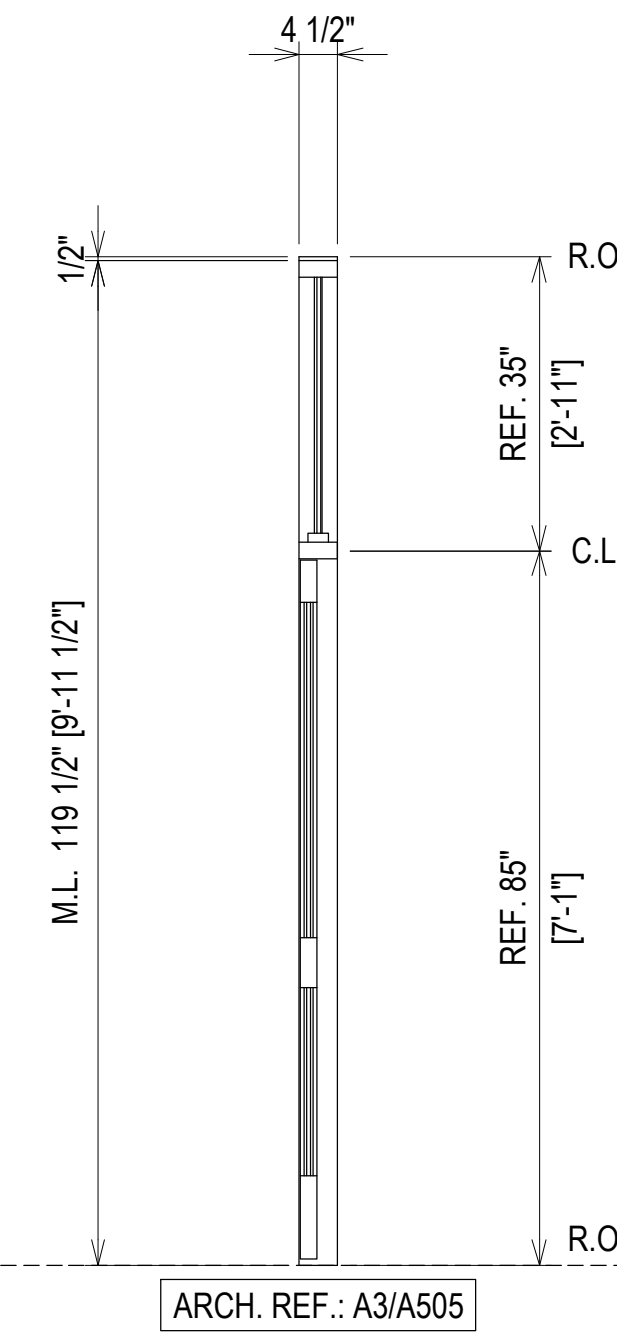
ERECTOR / G.C. NOTE:
 PLEASE FIELD VERIFY ALL DIMENSIONS



GC: PLEASE COORDINATE THE ROUGH OPENINGS TO THESE SHOP DRAWINGS. PRE MANUFACTURED DOORS DO NOT ALLOW FOR ADJUSTMENT AFTER FABRICATION.

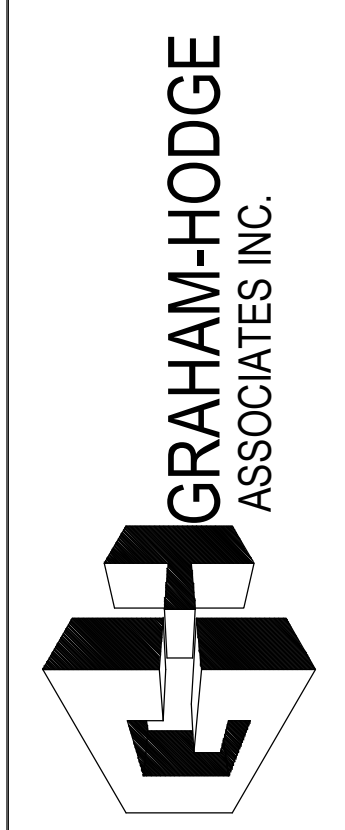


ELEVATION SF22
 SCALE: 1/2" = 1'-0"
 KAWNEER TRIFAB VG 451T - 2" X 4 1/2"
 EXTERIOR STOREFRONT
 1" INSULATED GLASS (CENTER SET)
 QUANTITY: 2



REV.	DESCRIPTION	DATE
1	1ST REVISION (RA)	06.19.21
2	2ND REVISION (ENGINEERING)	08.03.21
3	3RD REVISION (BULLET RESISTANT)	08.03.21
NO	DESCRIPTION	

BETHEL HANBERRY ELEMENTARY SCHOOL
 EXTERIOR SUBMITTAL
 125 BONEY ROAD, BLYTHEWOOD, SC 29016

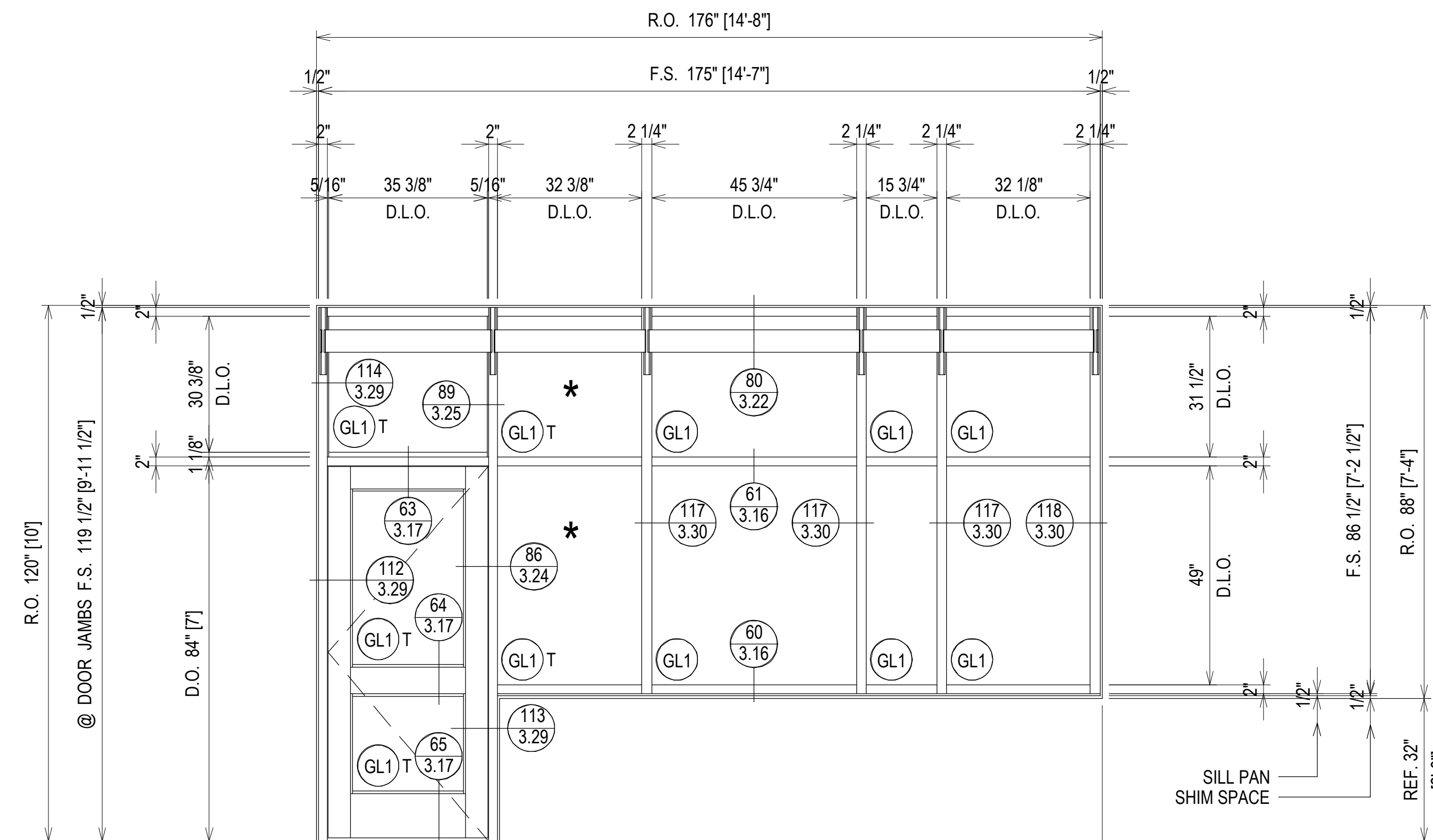


JOB # 20-018

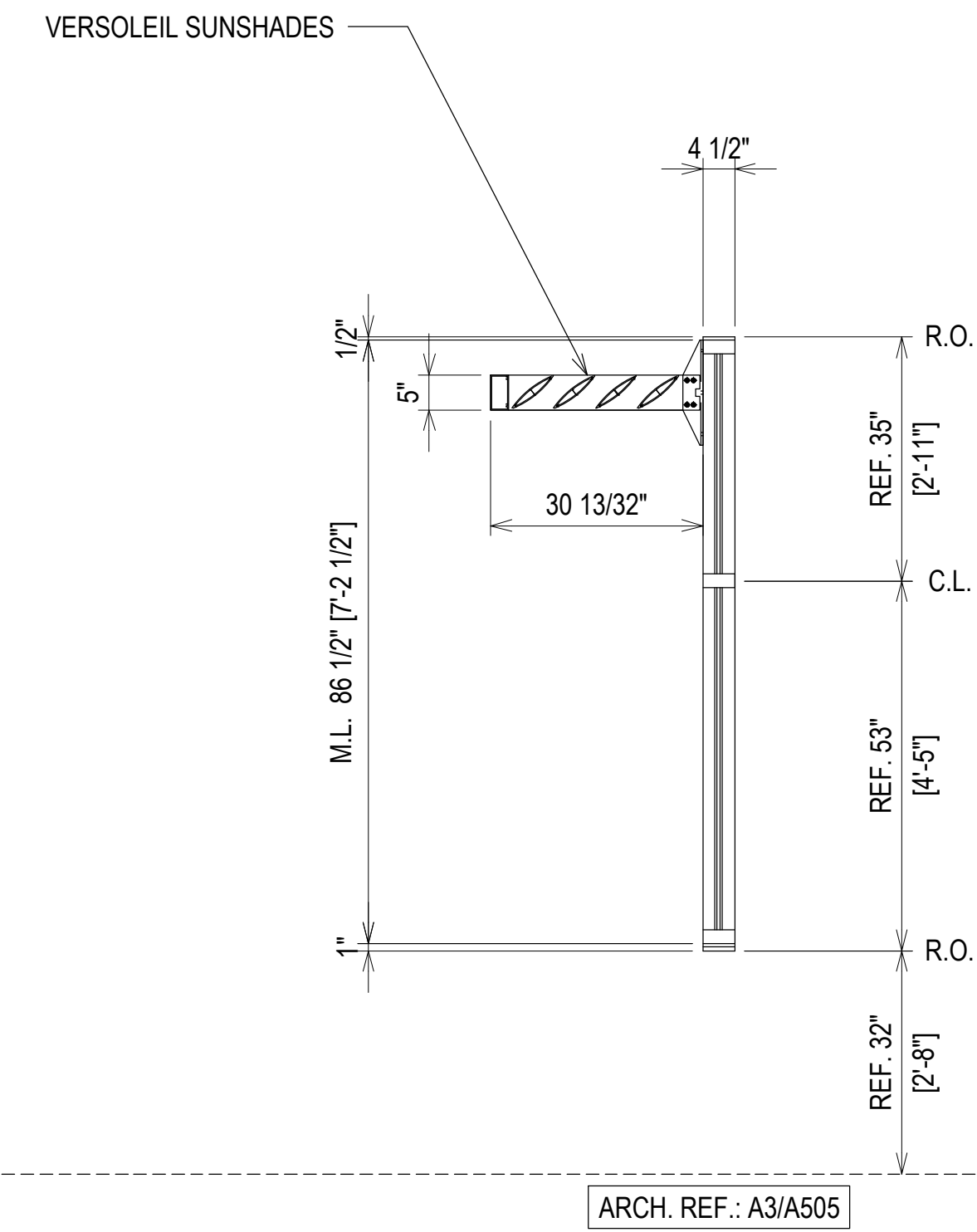
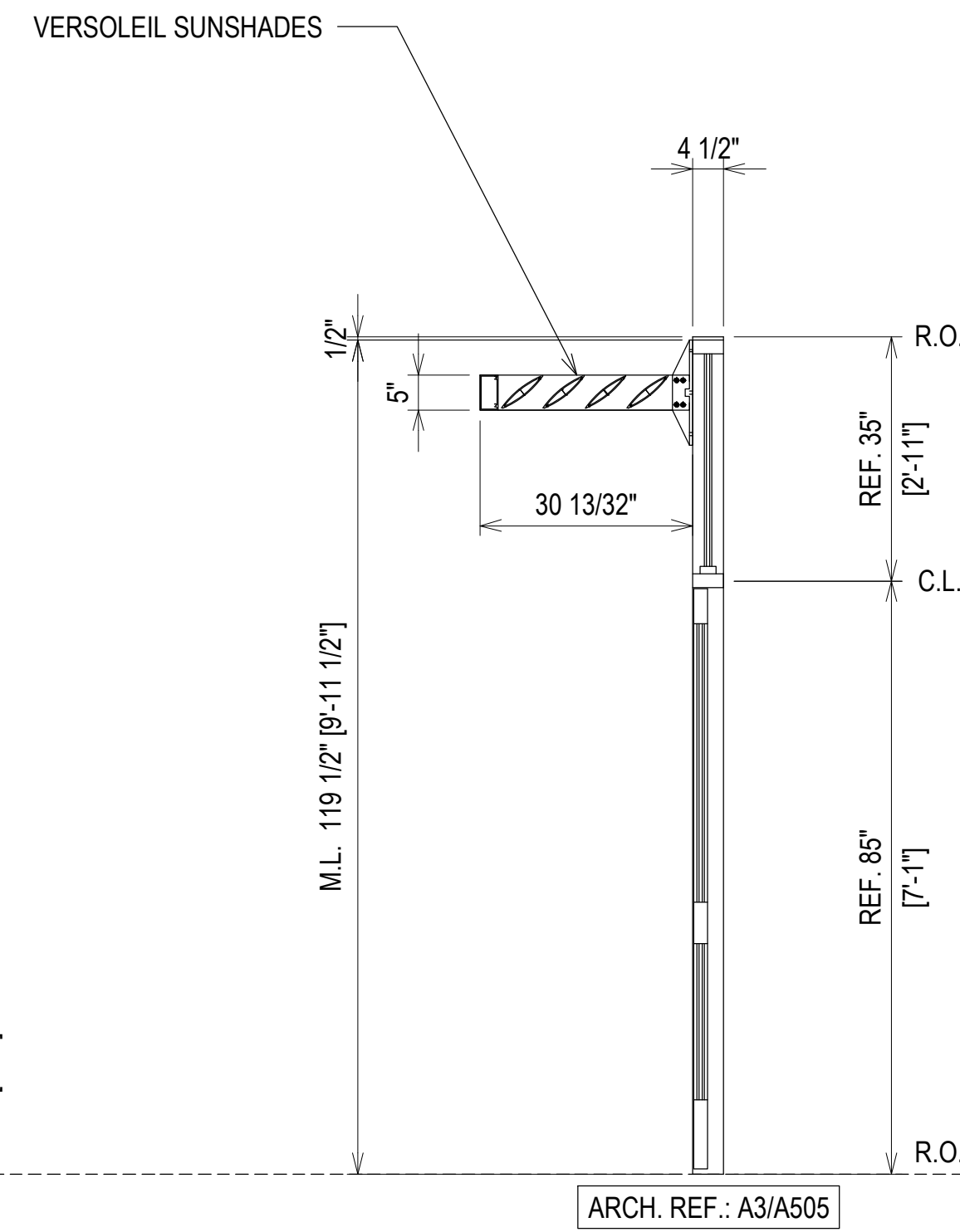
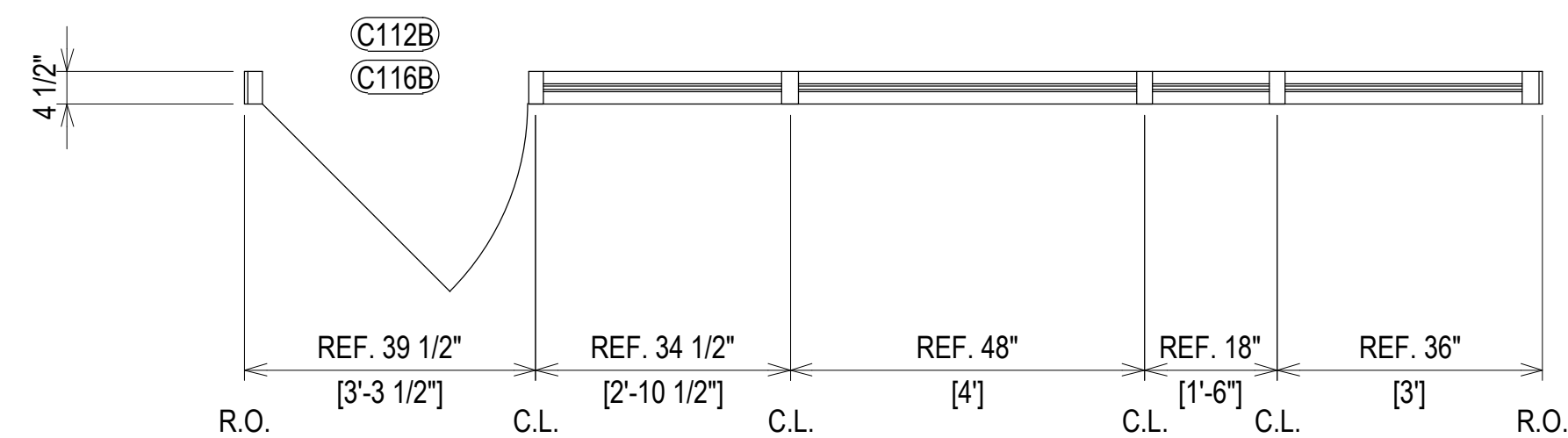
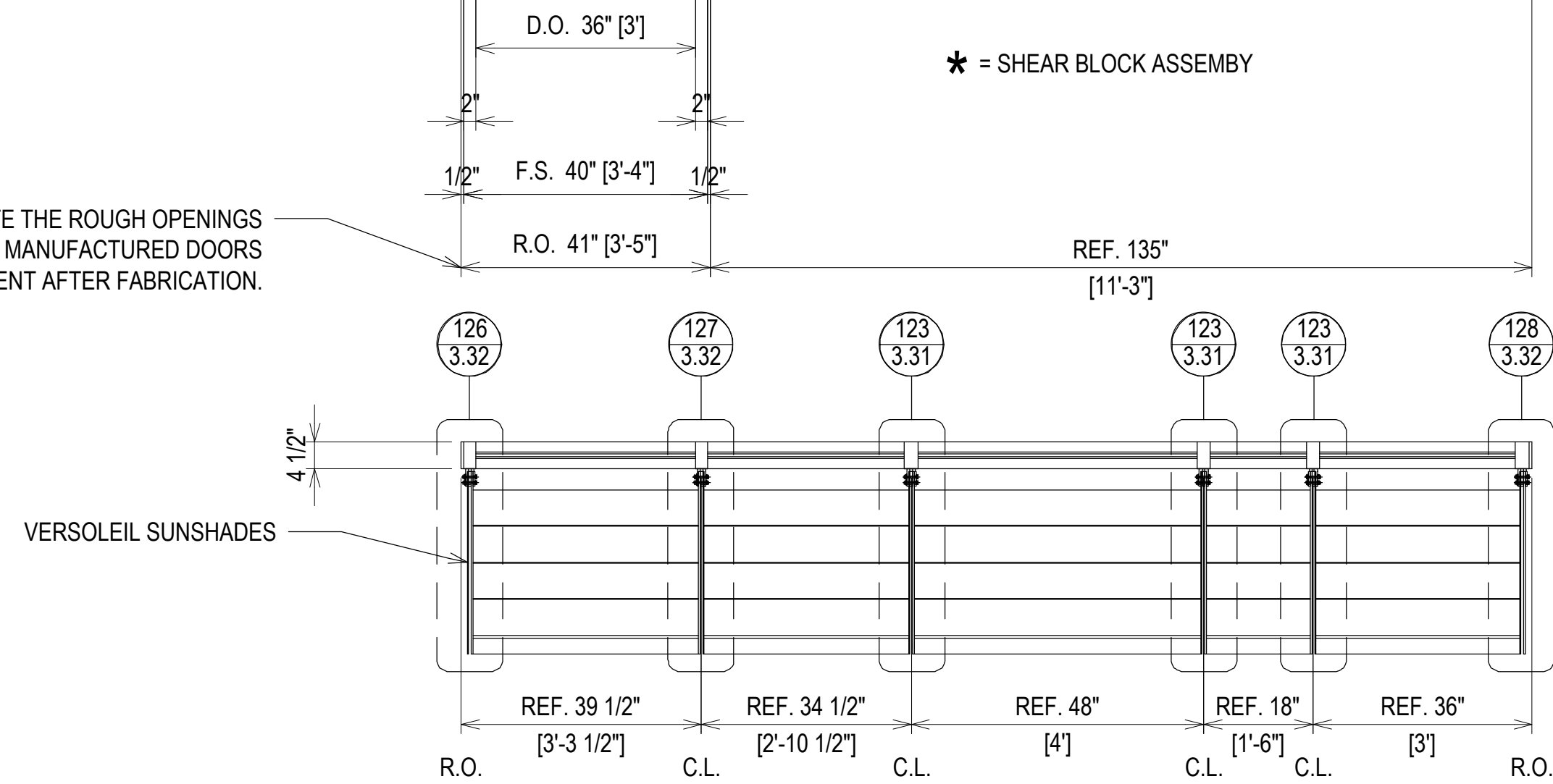
DRAWN BY: RA	DATE: 04.23.21
CHECKED BY: EW	DATE: 04.23.21

ERECTOR / G.C. NOTE:
PLEASE FIELD VERIFY ALL DIMENSIONS

2.40



GC: PLEASE COORDINATE THE ROUGH OPENINGS TO THESE SHOP DRAWINGS. PRE MANUFACTURED DOORS DO NOT ALLOW FOR ADJUSTMENT AFTER FABRICATION.

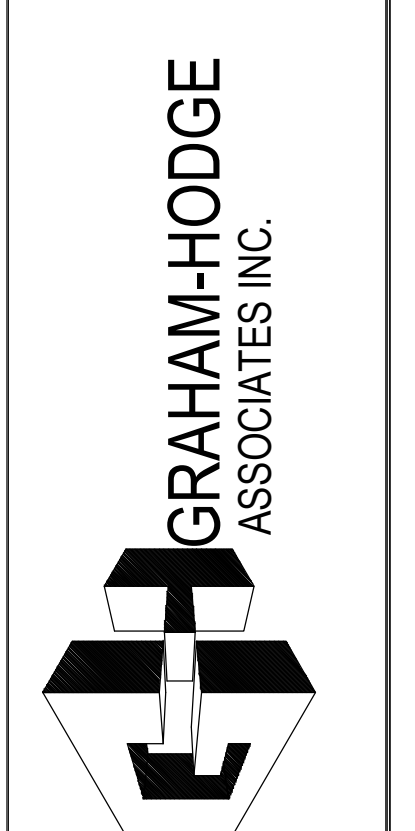


ELEVATION **SF22** S.S.
 SCALE: 1/2" = 1'-0"
 KAWNEER TRIFAB VG 451T - 2" (2 1/4") X 4 1/2"
 EXTERIOR STOREFRONT
 1" INSULATED GLASS (CENTER SET)
 QUANTITY: 2

ERECTOR / G.C. NOTE:
 PLEASE FIELD VERIFY ALL DIMENSIONS

REV.	DESCRIPTION	DATE
1	1ST REVISION (RA)	06.19.21
2	2ND REVISION (ENGINEERING)	08.03.21
3	3RD REVISION (BULLET RESISTANT)	08.03.21
NO	DESCRIPTION	

BETHEL HANBERRY ELEMENTARY SCHOOL
 EXTERIOR SUBMITTAL
 125 BONEY ROAD, BLYTHEWOOD, SC 29016



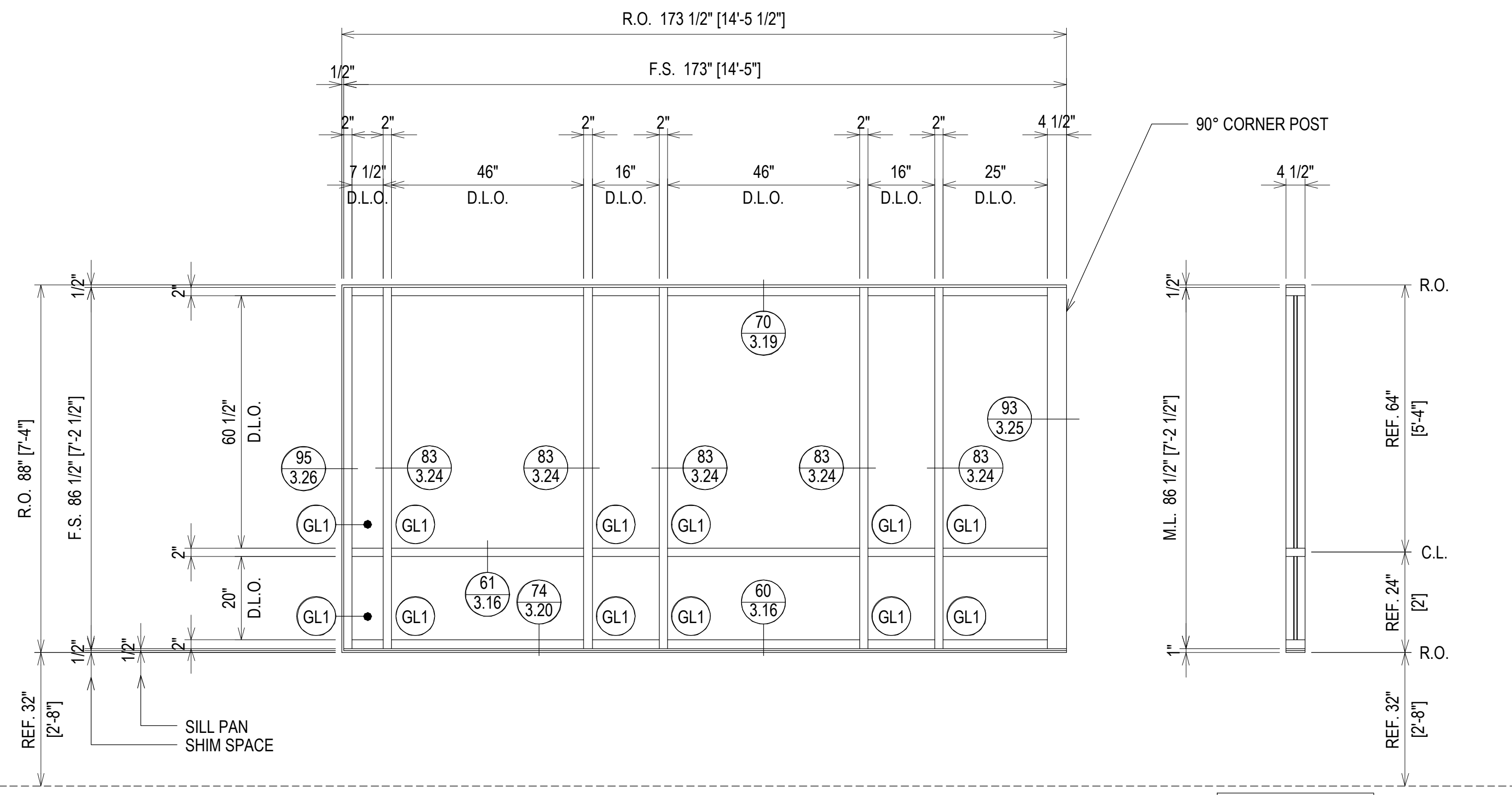
JOB #
 20-018

DRAWN BY:	DATE:
RA	04.23.21
CHECKED BY:	DATE:
EW	04.23.21

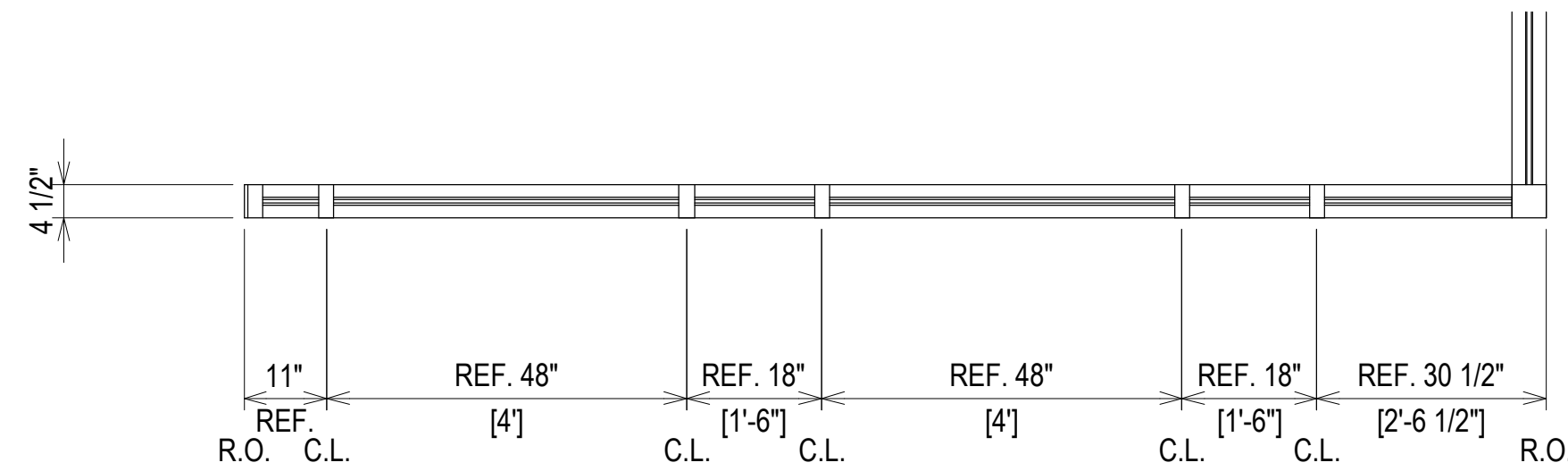
2.41

DRAWING SUBMISSION

FIRST & SECOND FLOOR
0' - 0" & 15' - 4"

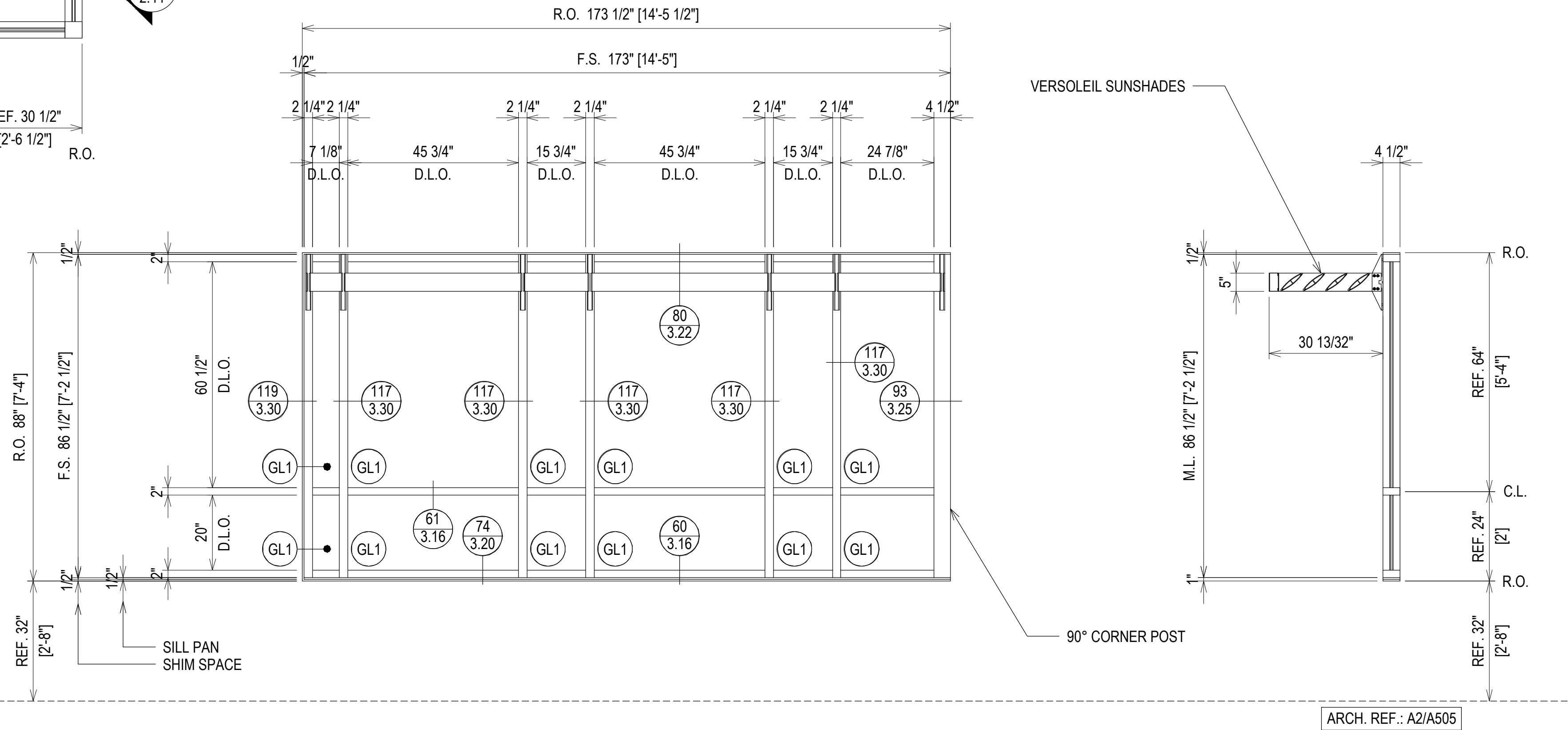


ELEVATION SF23
SCALE: 1/2" = 1'-0"
KAWNEER TRIFAB VG 451T - 2" X 4 1/2"
EXTERIOR STOREFRONT
1" INSULATED GLASS (CENTER SET)
QUANTITY: 10

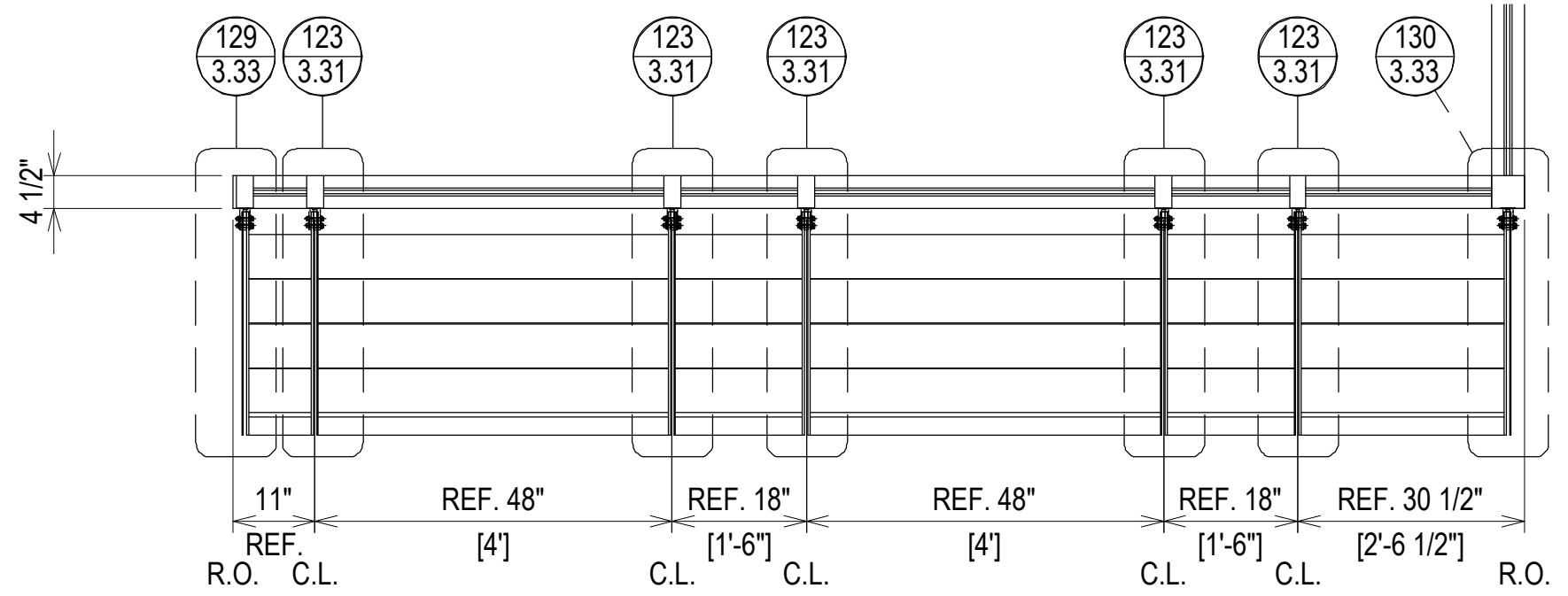


SF24
2.44

FIRST & SECOND FLOOR
0' - 0" & 15' - 4"



ELEVATION SF23 S.S.
SCALE: 1/2" = 1'-0"
KAWNEER TRIFAB VG 451T - 2 1/4" X 4 1/2"
EXTERIOR STOREFRONT
1" INSULATED GLASS (CENTER SET)
QUANTITY: 2



SF24
2.44

ERECTOR / G.C. NOTE:
PLEASE FIELD VERIFY ALL DIMENSIONS

REV.	DESCRIPTION	DATE
1	1ST REVISION (RA)	06.19.21
2	2ND REVISION (ENGINEERING)	08.03.21
3	3RD REVISION (BULLET RESISTANT)	08.03.21
NO	DESCRIPTION	

BETHEL HANBERRY ELEMENTARY SCHOOL
EXTERIOR SUBMITTAL
125 BONEY ROAD, BLYTHEWOOD, SC 29016

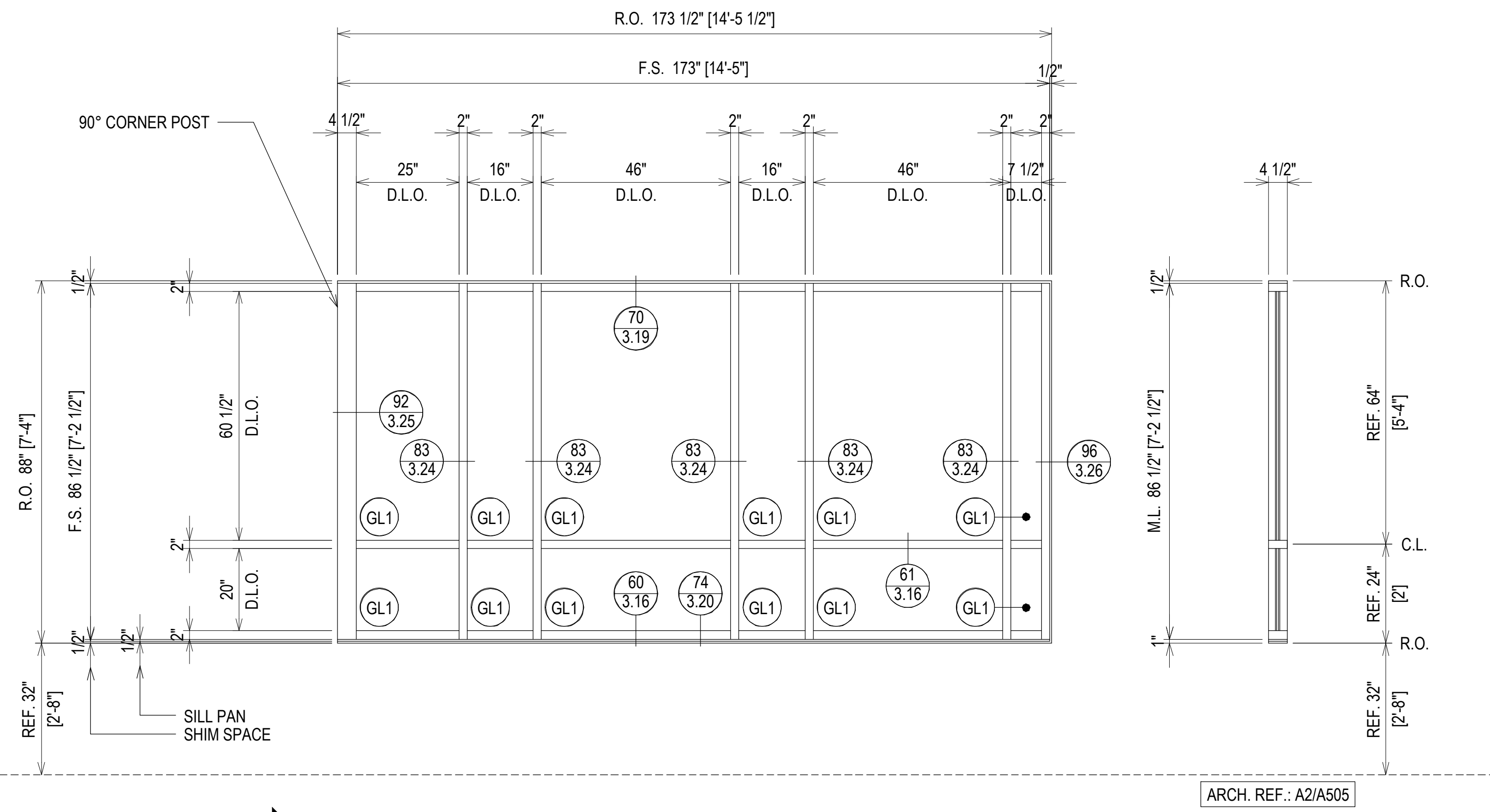


JOB #
20-018

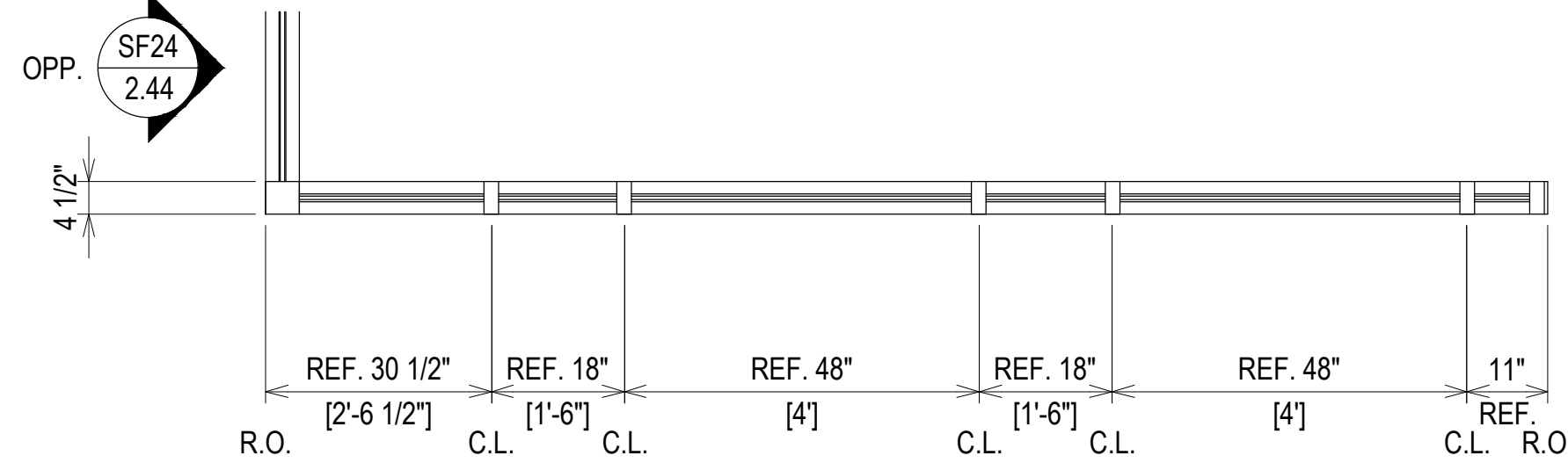
DRAWN BY:	DATE:
RA	04.23.21
CHECKED BY:	DATE:
EW	04.23.21

2.42

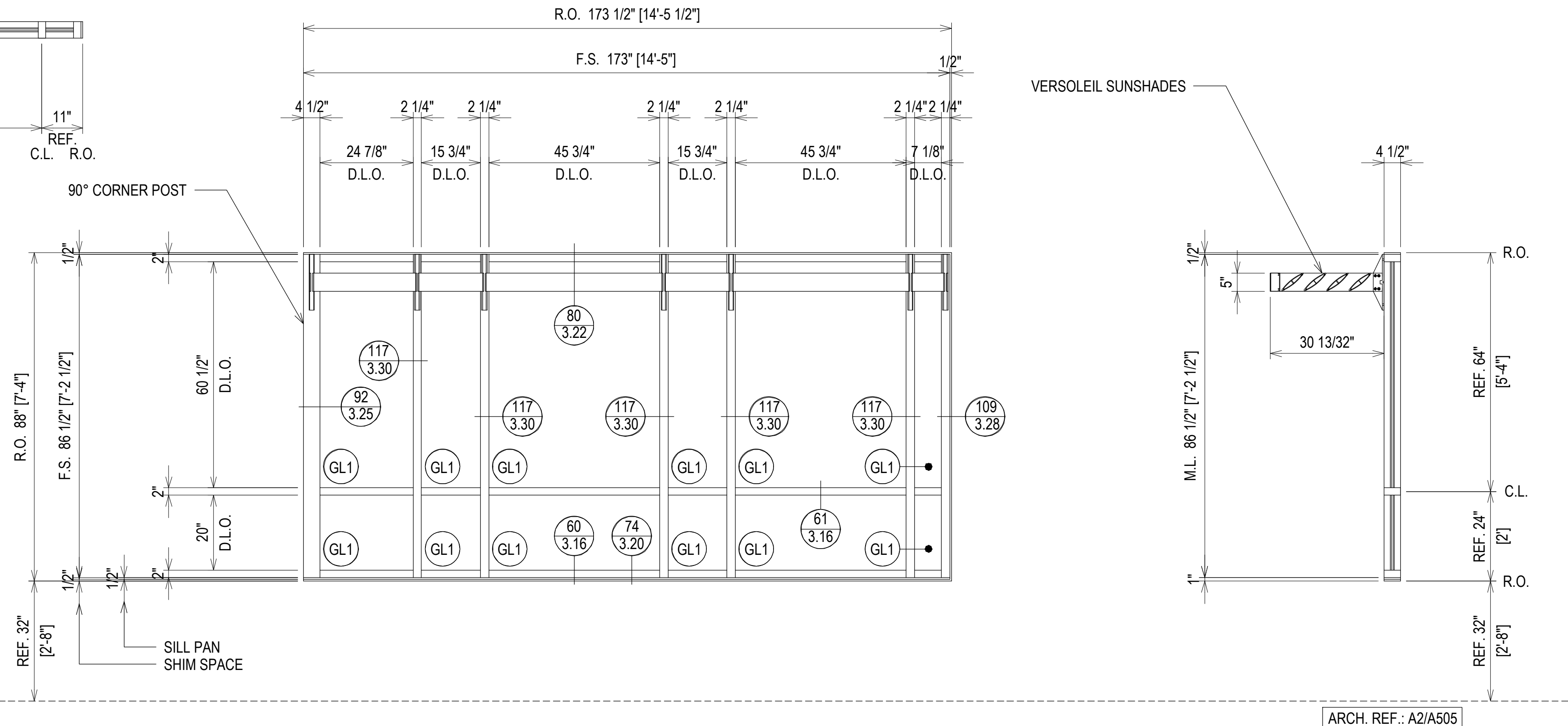
FIRST & SECOND FLOOR
0' - 0" & 15' - 4"



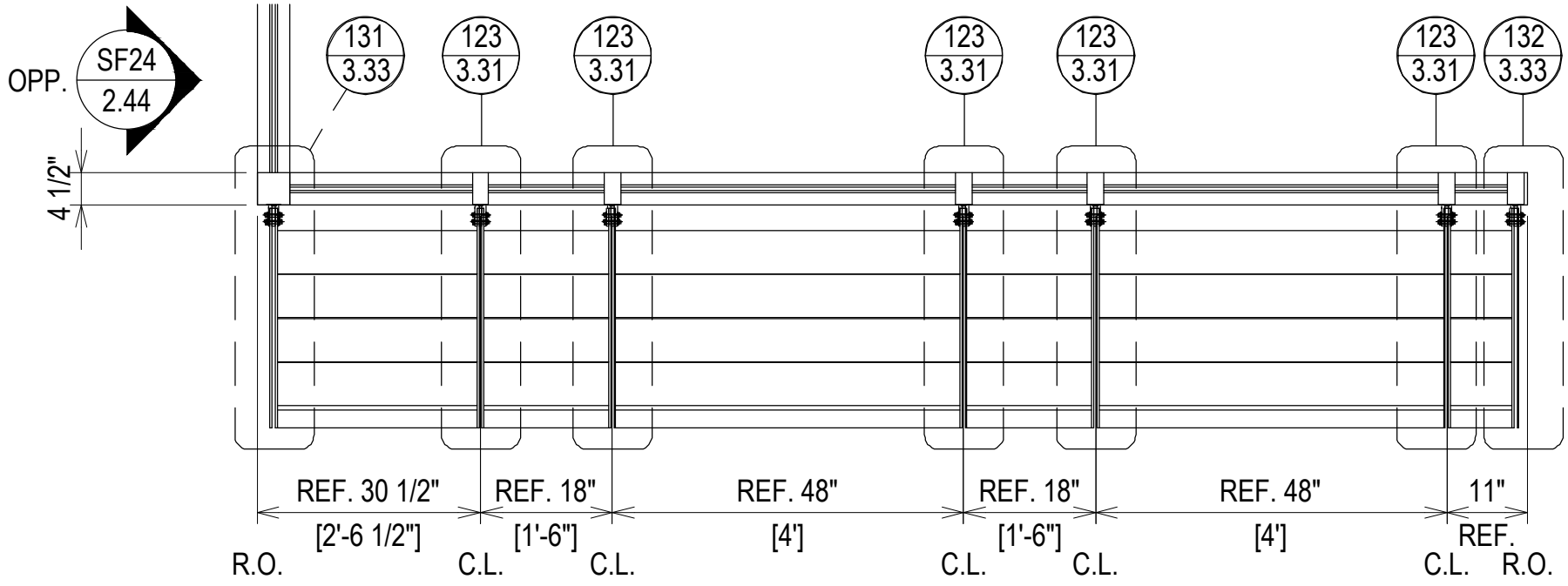
ELEVATION SF23 OPP.
SCALE: 1/2" = 1'-0"
KAWNEER TRIFAB VG 451T - 2" X 4 1/2"
EXTERIOR STOREFRONT
1" INSULATED GLASS (CENTER SET)
QUANTITY: 10



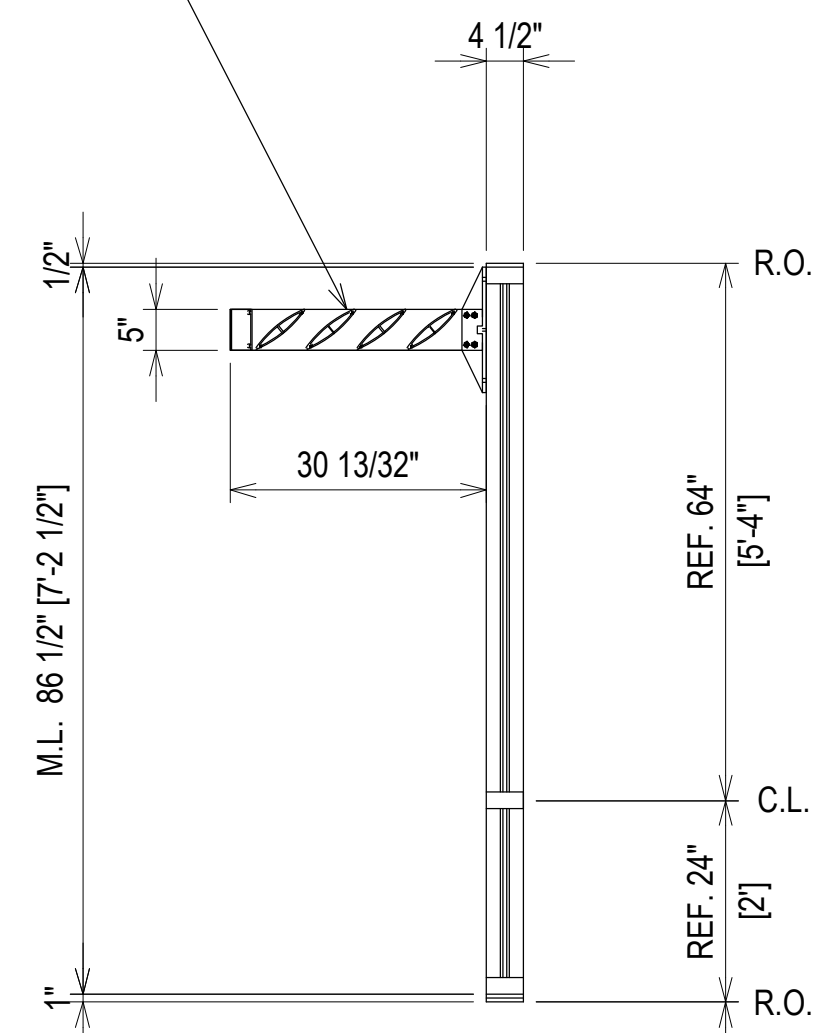
FIRST & SECOND FLOOR
0' - 0" & 15' - 4"



ELEVATION SF23 OPP. S.S.
SCALE: 1/2" = 1'-0"
KAWNEER TRIFAB VG 451T - 2 1/4" X 4 1/2"
EXTERIOR STOREFRONT
1" INSULATED GLASS (CENTER SET)
QUANTITY: 2



VERSOLEIL SUNSHADES



ERECTOR / G.C. NOTE:
PLEASE FIELD VERIFY ALL DIMENSIONS

REV.	DESCRIPTION	DATE
1	1ST REVISION (RA)	06.19.21
2	2ND REVISION (ENGINEERING)	08.03.21
3	3RD REVISION (BULLET RESISTANT)	08.03.21
NO	DESCRIPTION	
	DRAWING SUBMISSION	

BETHEL HANBERRY ELEMENTARY SCHOOL
EXTERIOR SUBMITTAL
125 BONEY ROAD, BLYTHEWOOD, SC 29016

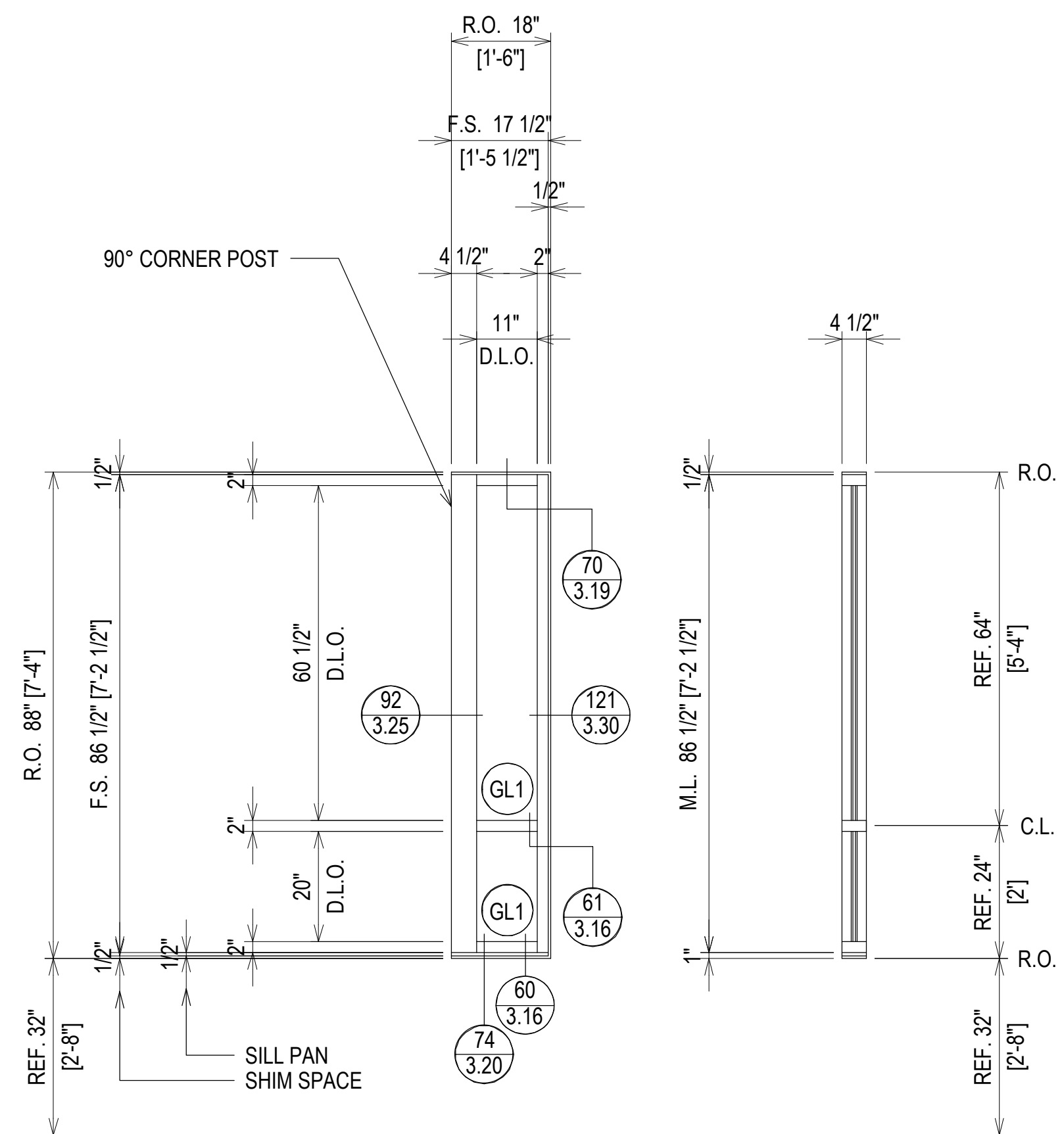


JOB #
20-018

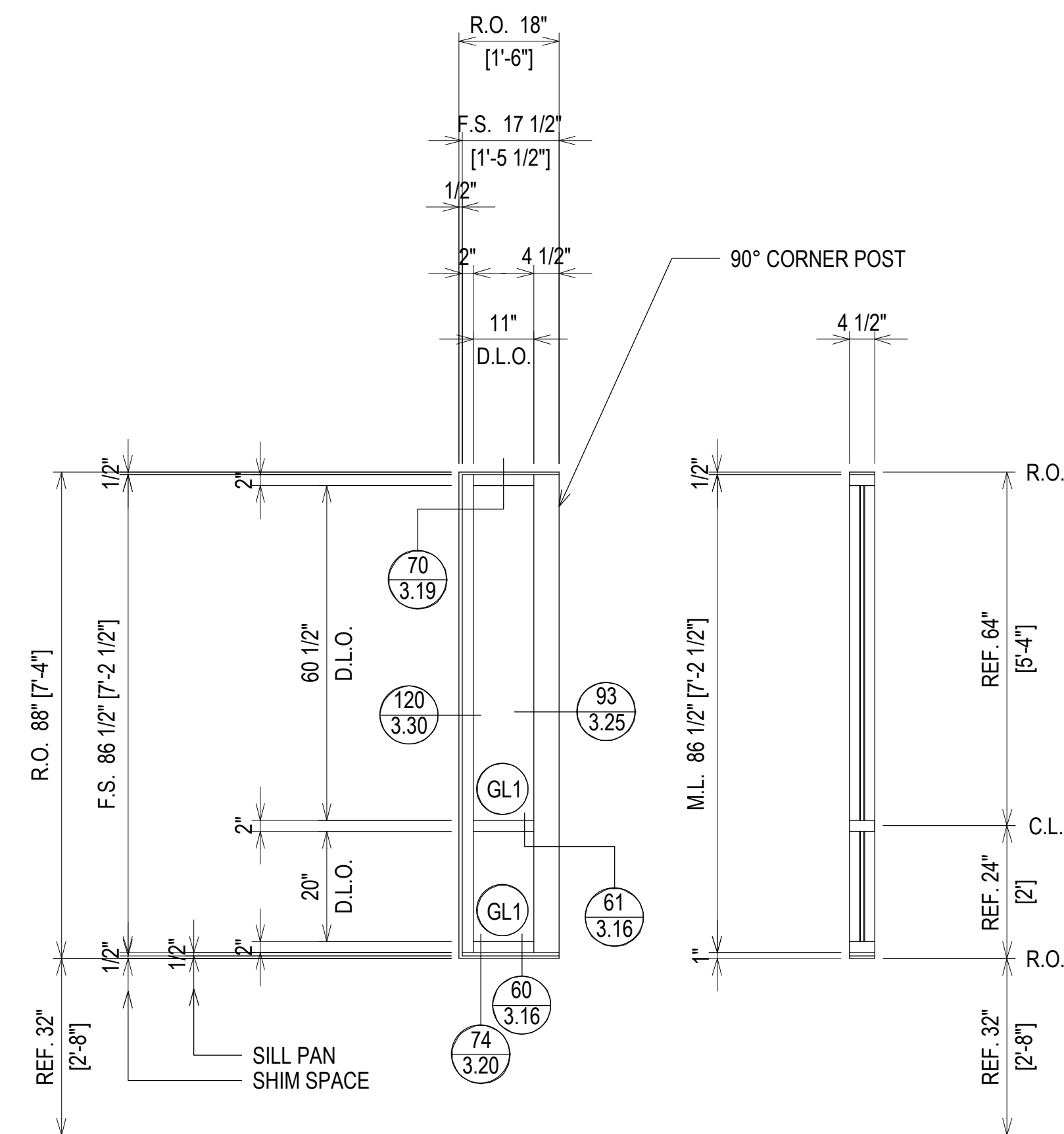
DRAWN BY:	DATE:
RA	04.23.21
CHECKED BY:	DATE:
EW	04.23.21

2.43

FIRST & SECOND FLOOR
0'-0" & 15'-4"

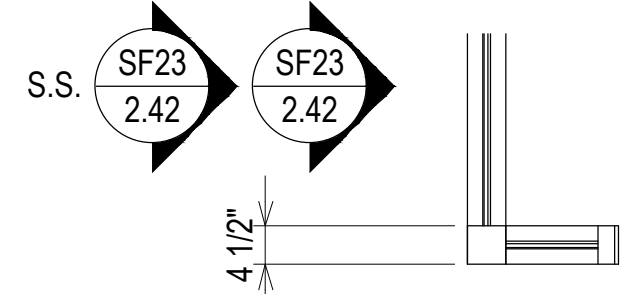


ARCH. REF.: A2/A505



ARCH. REF.: A2/A505

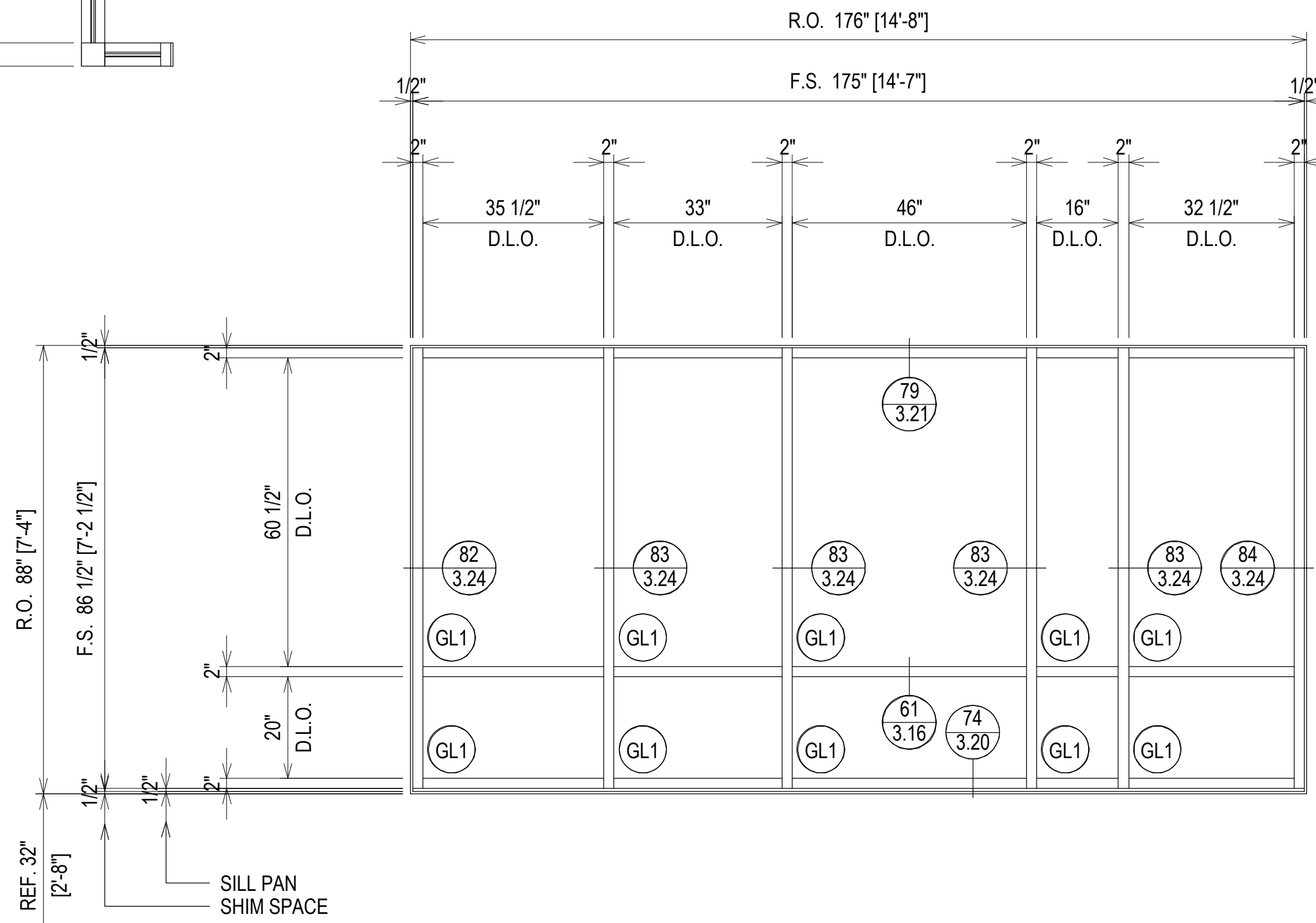
ELEVATION SF24
SCALE: 1/2" = 1'-0"
KAWNEER TRIFAB VG 451T - 2" X 4 1/2"
EXTERIOR STOREFRONT
1" INSULATED GLASS (CENTER SET)
QUANTITY: 12



ELEVATION SF24 OPP.
SCALE: 1/2" = 1'-0"
KAWNEER TRIFAB VG 451T - 2" X 4 1/2"
EXTERIOR STOREFRONT
1" INSULATED GLASS (CENTER SET)
QUANTITY: 12

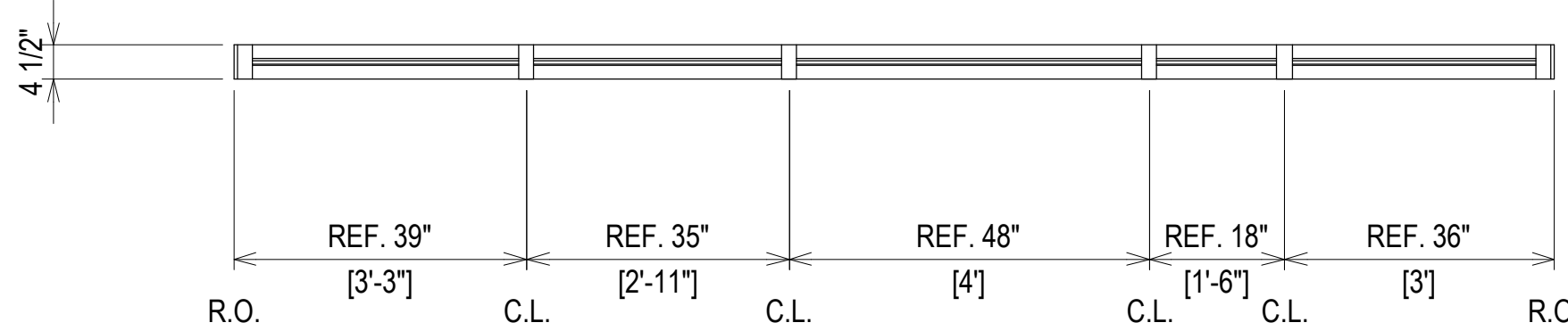


SECOND FLOOR
15'-4"



ARCH. REF.: A3/A505

ELEVATION SF25
SCALE: 1/2" = 1'-0"
KAWNEER TRIFAB VG 451T - 2" X 4 1/2"
EXTERIOR STOREFRONT
1" INSULATED GLASS (CENTER SET)
QUANTITY: 2



REV.	DESCRIPTION	DATE
1	1ST REVISION (RA)	06.19.21
2	2ND REVISION (ENGINEERING)	08.03.21
3	3RD REVISION (BULLET RESISTANT)	08.03.21
NO	DESCRIPTION	

BETHEL HANBERRY ELEMENTARY SCHOOL
EXTERIOR SUBMITTAL
125 BONEY ROAD, BLYTHEWOOD, SC 29016



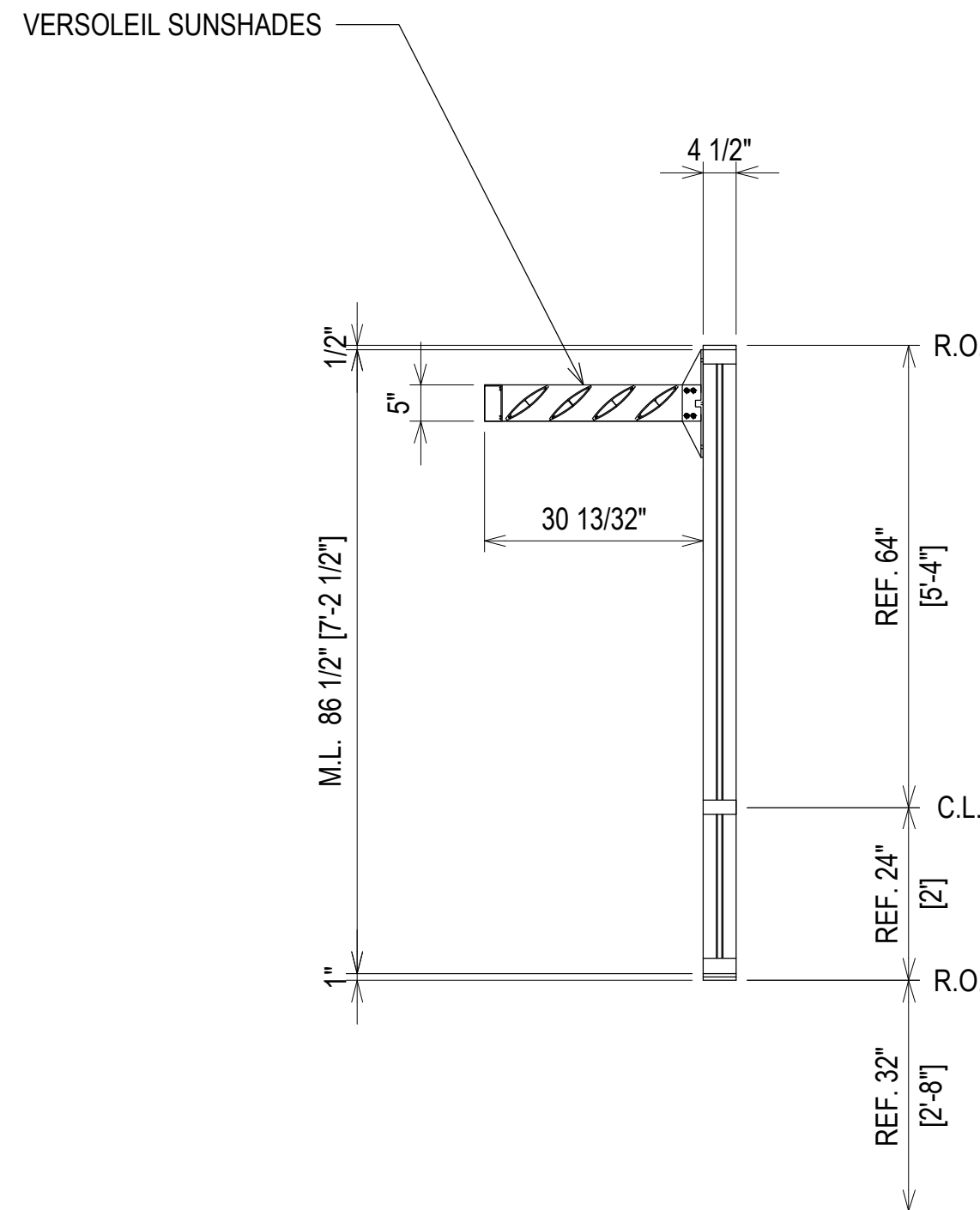
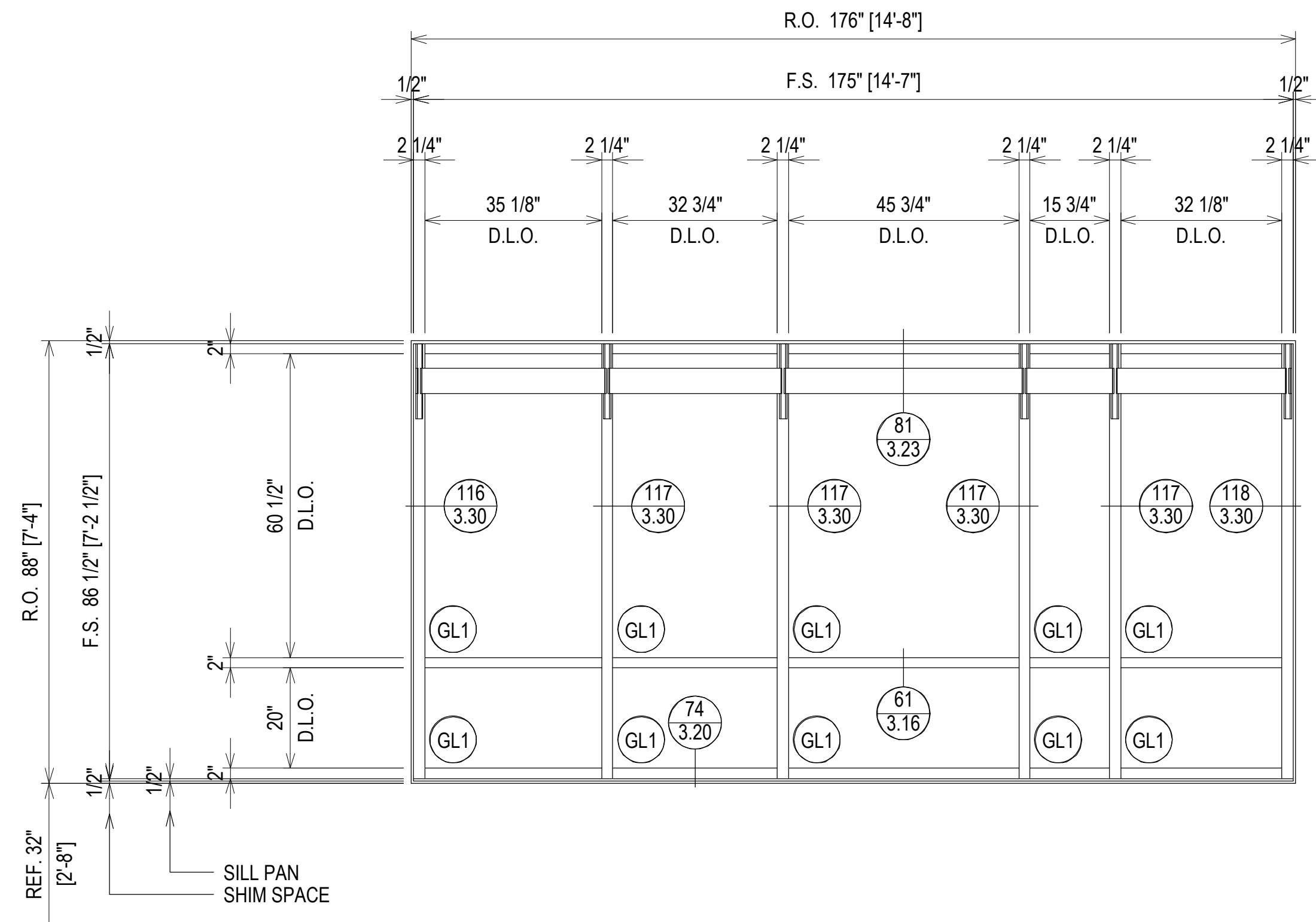
JOB #
20-018

DRAWN BY:	DATE:
RA	04.23.21
CHECKED BY:	DATE:
EW	04.23.21

ERECTOR / G.C. NOTE:
PLEASE FIELD VERIFY ALL DIMENSIONS

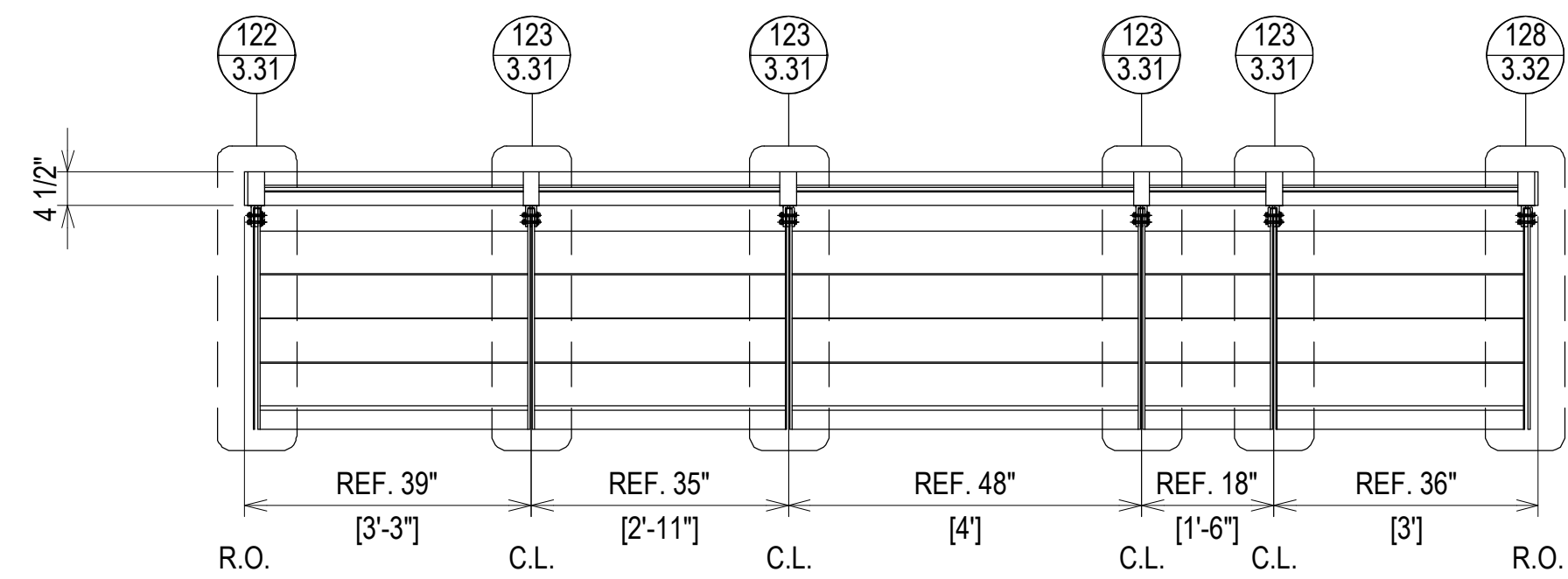
2.44

SECOND FLOOR
15' - 4"

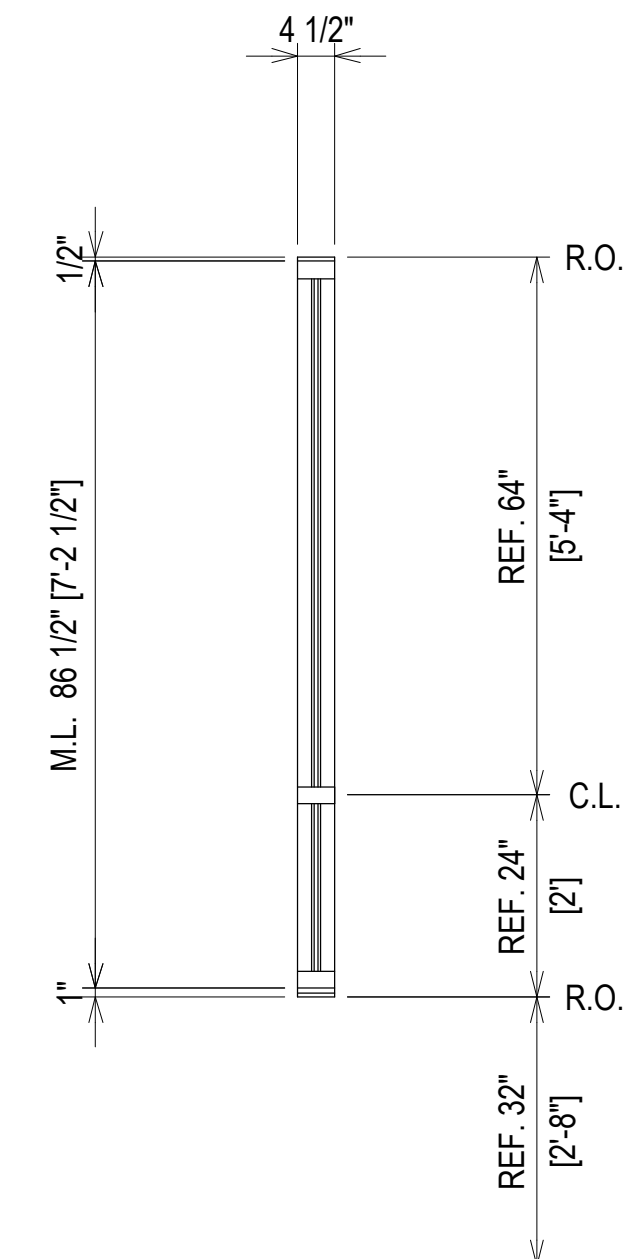
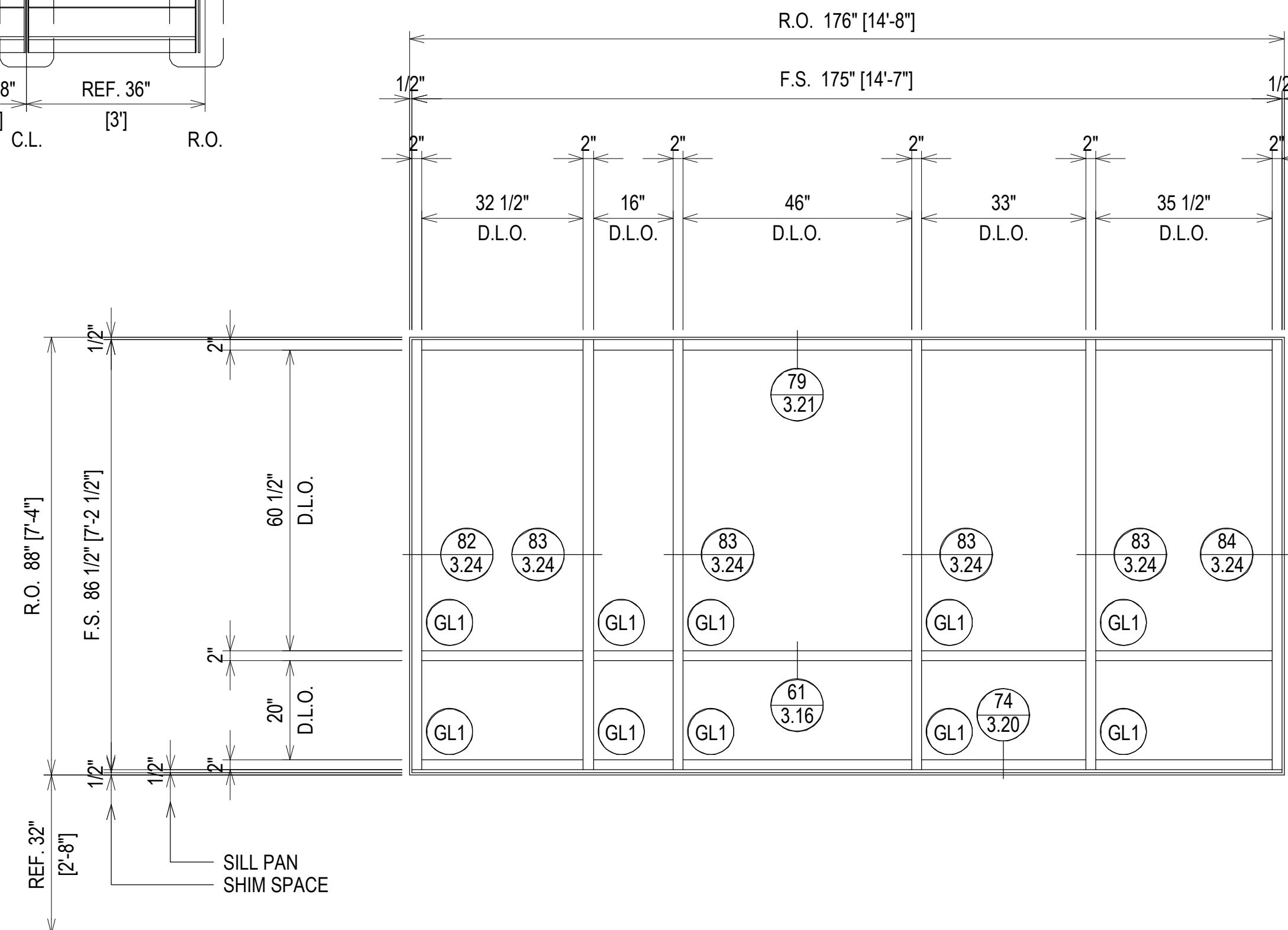


ARCH. REF.: A3/A505

ELEVATION **SF25** S.S.
SCALE: 1/2" = 1'-0"
KAWNEER TRIFAB VG 451T - 2 1/4" X 4 1/2"
EXTERIOR STOREFRONT
1" INSULATED GLASS (CENTER SET)
QUANTITY: 2

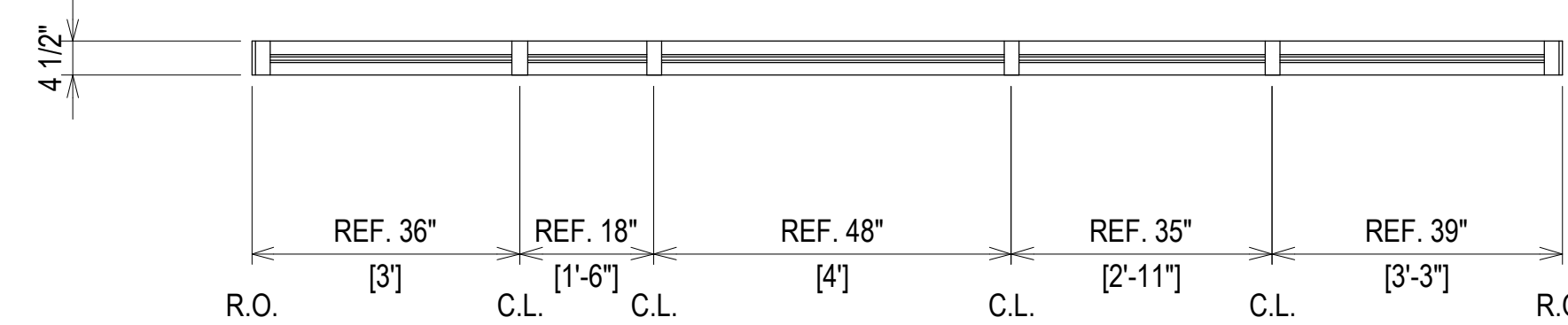


SECOND FLOOR
15' - 4"



ARCH. REF.: A3/A505

ELEVATION **SF26**
SCALE: 1/2" = 1'-0"
KAWNEER TRIFAB VG 451T - 2" X 4 1/2"
EXTERIOR STOREFRONT
1" INSULATED GLASS (CENTER SET)
QUANTITY: 2



ERECTOR / G.C. NOTE:
PLEASE FIELD VERIFY ALL DIMENSIONS

REV.	DESCRIPTION	DATE
1	1ST REVISION (RA)	06.19.21
2	2ND REVISION (ENGINEERING)	08.03.21
3	3RD REVISION (ALLET REVISION)	08.03.21
NO	DESCRIPTION	

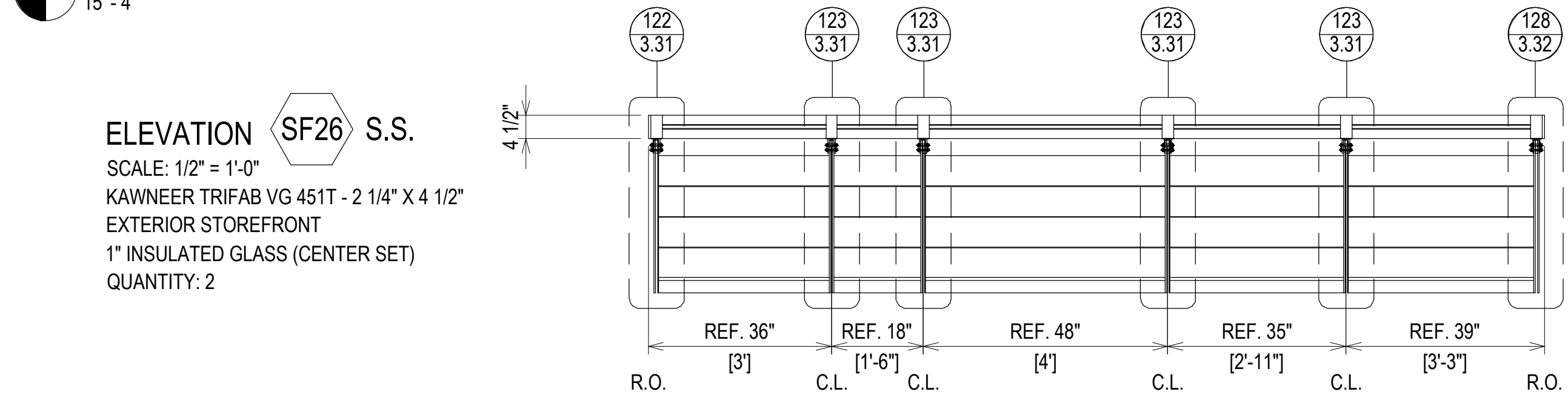
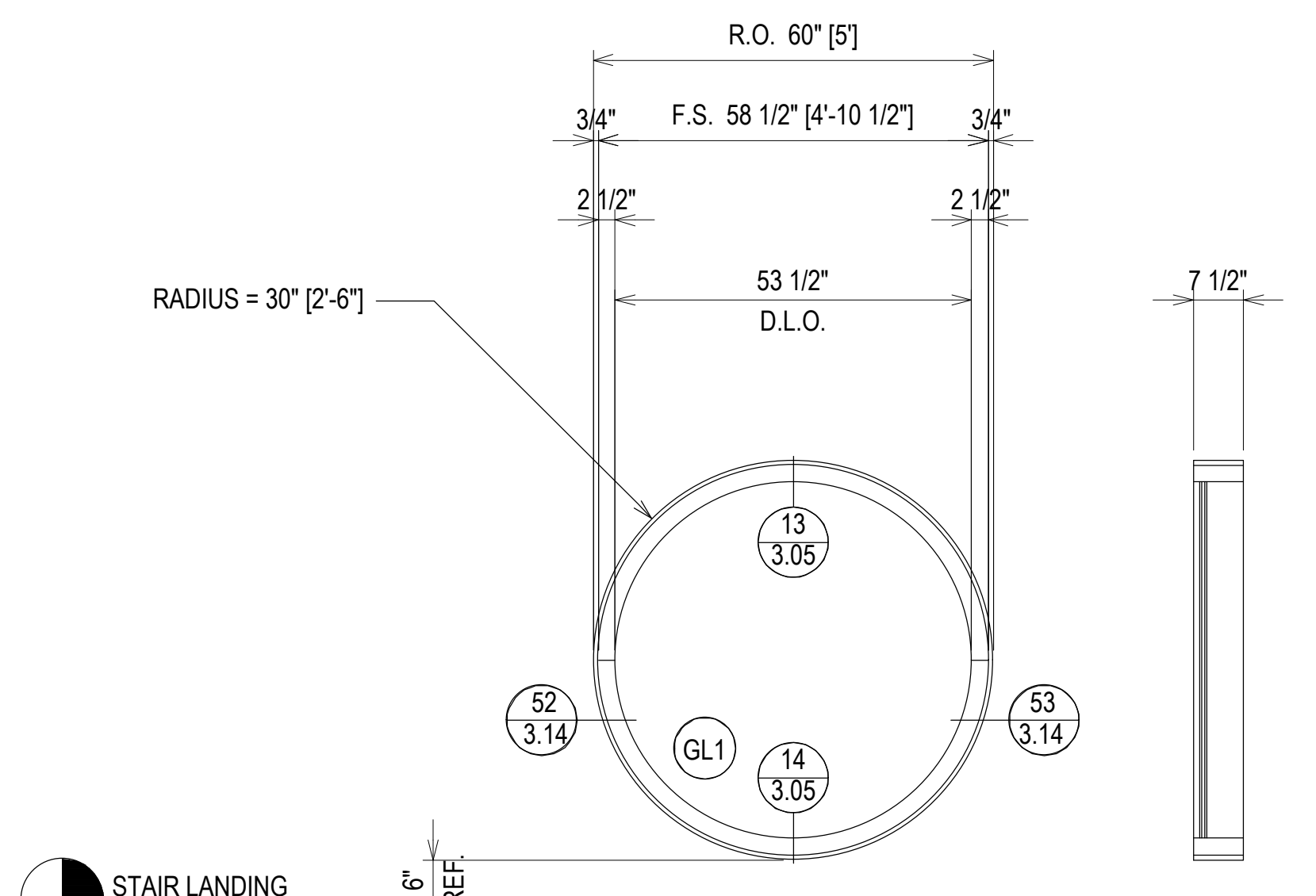
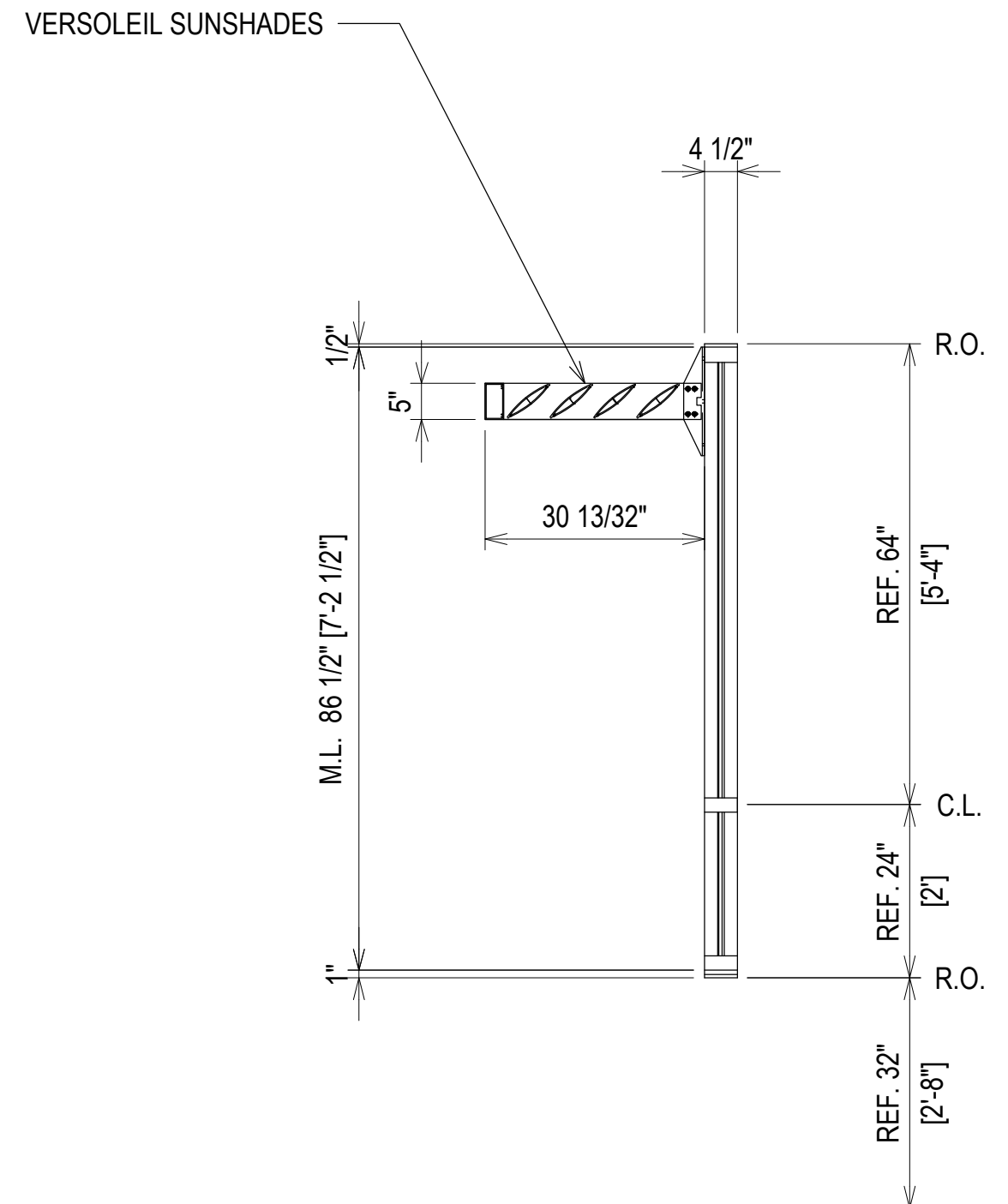
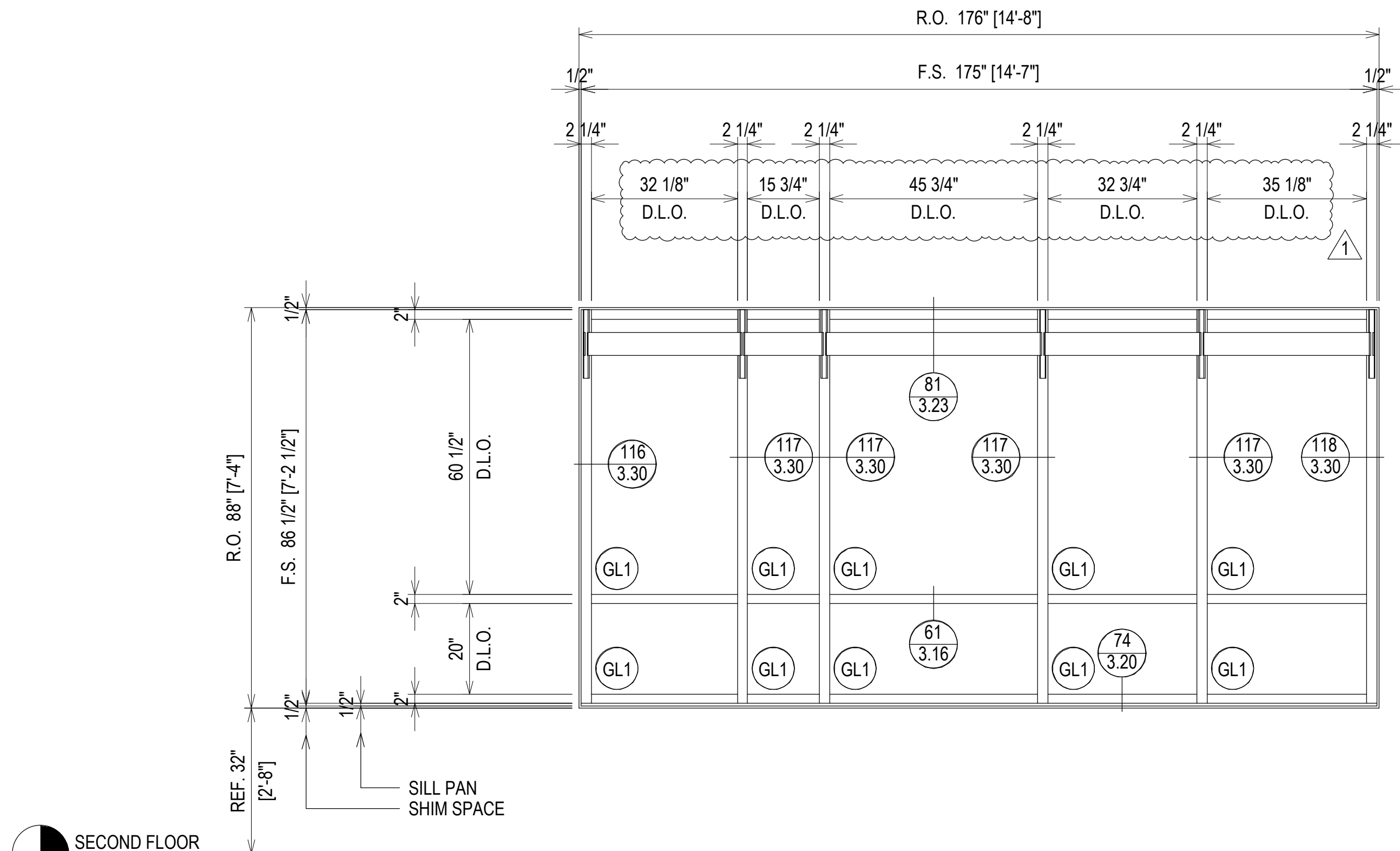
BETHEL HANBERRY ELEMENTARY SCHOOL
EXTERIOR SUBMITTAL
125 BONEY ROAD, BLYTHEWOOD, SC 29016



JOB #
20-018

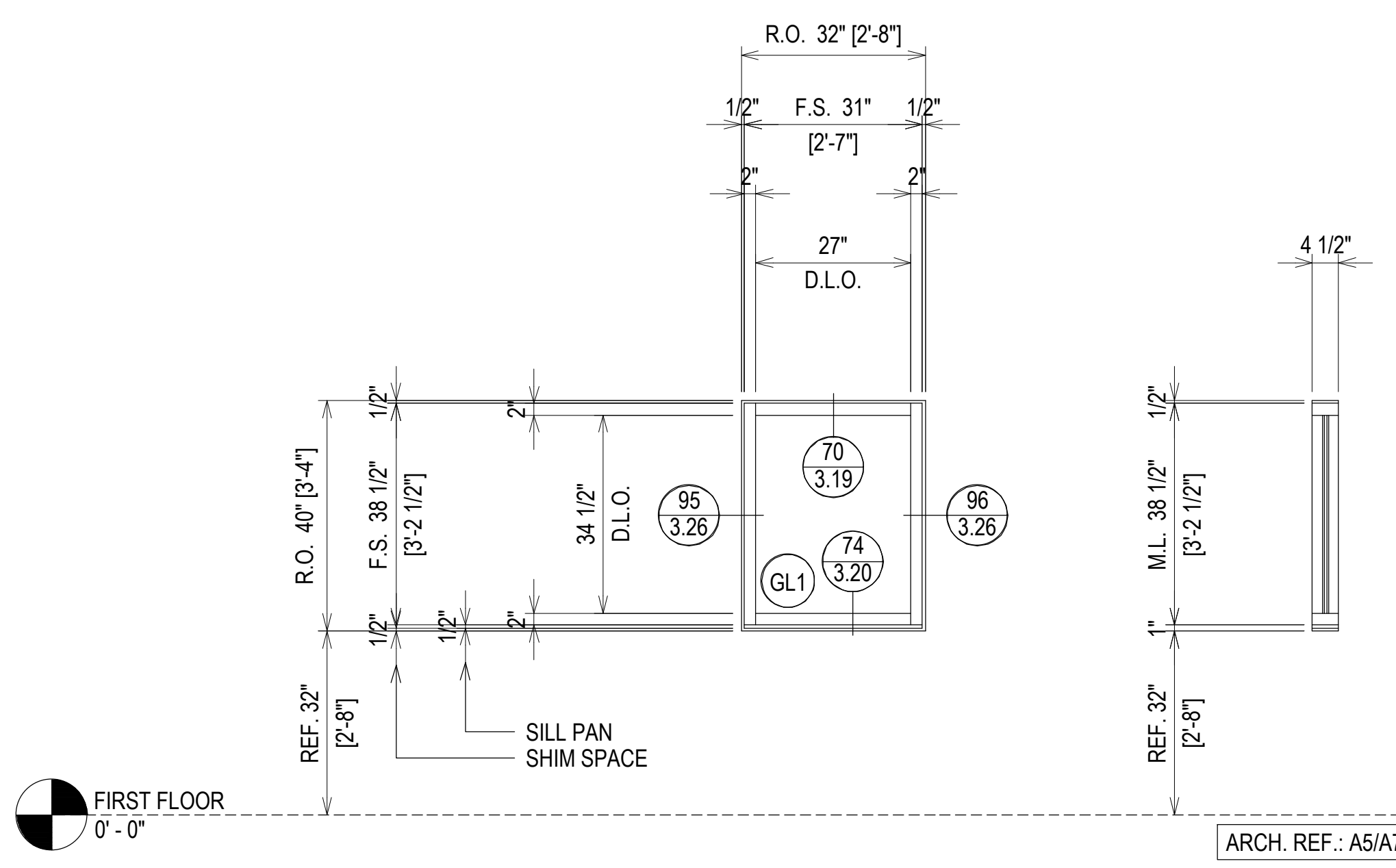
DRAWN BY:	DATE:
RA	04.23.21
CHECKED BY:	DATE:
EW	04.23.21

2.45



ELEVATION SF26 S.S.
 SCALE: 1/2" = 1'-0"
 KAWNEER TRIFAB VG 451T - 2 1/4" X 4 1/2"
 EXTERIOR STOREFRONT
 1" INSULATED GLASS (CENTER SET)
 QUANTITY: 2

ELEVATION SF27
 SCALE: 1/2" = 1'-0"
 KAWNEER 1600 SYS. 1 - 2 1/2" X 7 1/2"
 EXTERIOR CURTAIN WALL
 1" INSULATED GLASS (FRONT SET)
 QUANTITY: 4



ELEVATION SF28
 SCALE: 1/2" = 1'-0"
 KAWNEER TRIFAB VG 451T - 2" X 4 1/2"
 EXTERIOR STOREFRONT
 1" INSULATED GLASS (CENTER SET)
 QUANTITY: 7

REV.	DESCRIPTION	DATE
1	1ST REVISION (RA)	06.19.21
2	2ND REVISION (ENGINEERING)	08.03.21
3	3RD REVISION (ALLET RESISTANT)	08.03.21
NO	DESCRIPTION	
	DRAWING SUBMISSION	

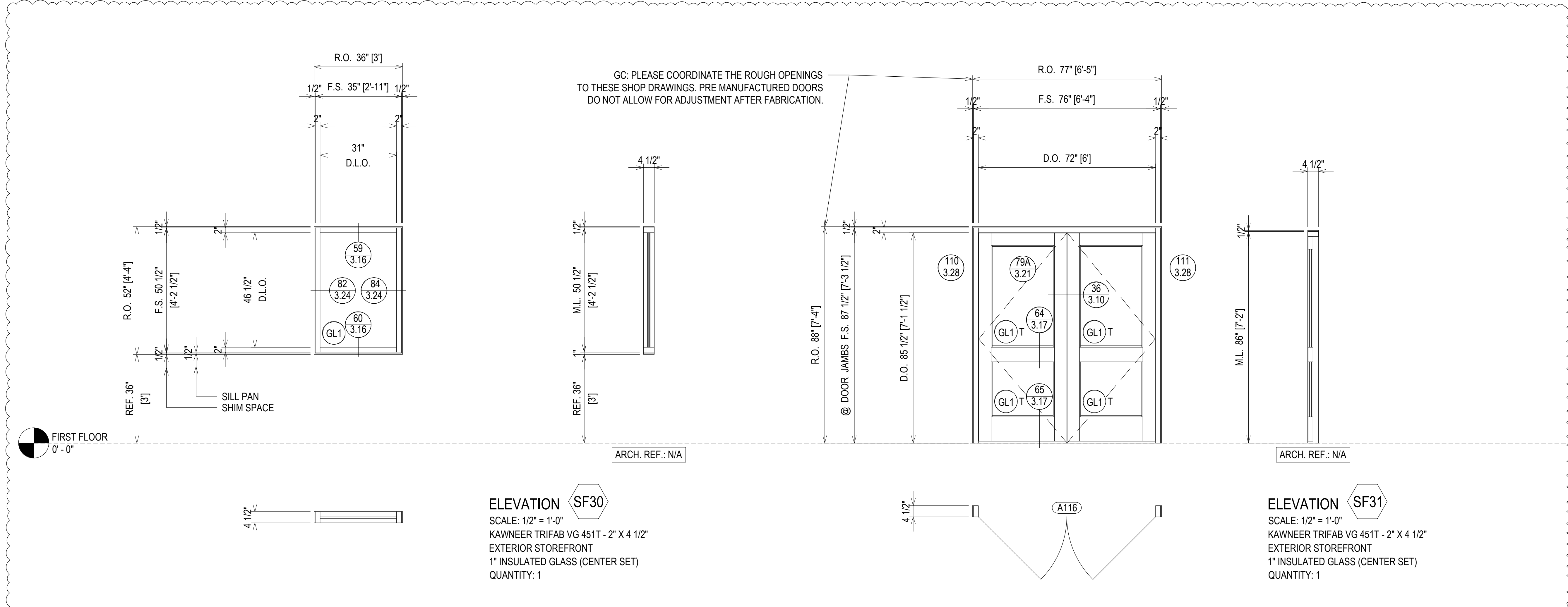
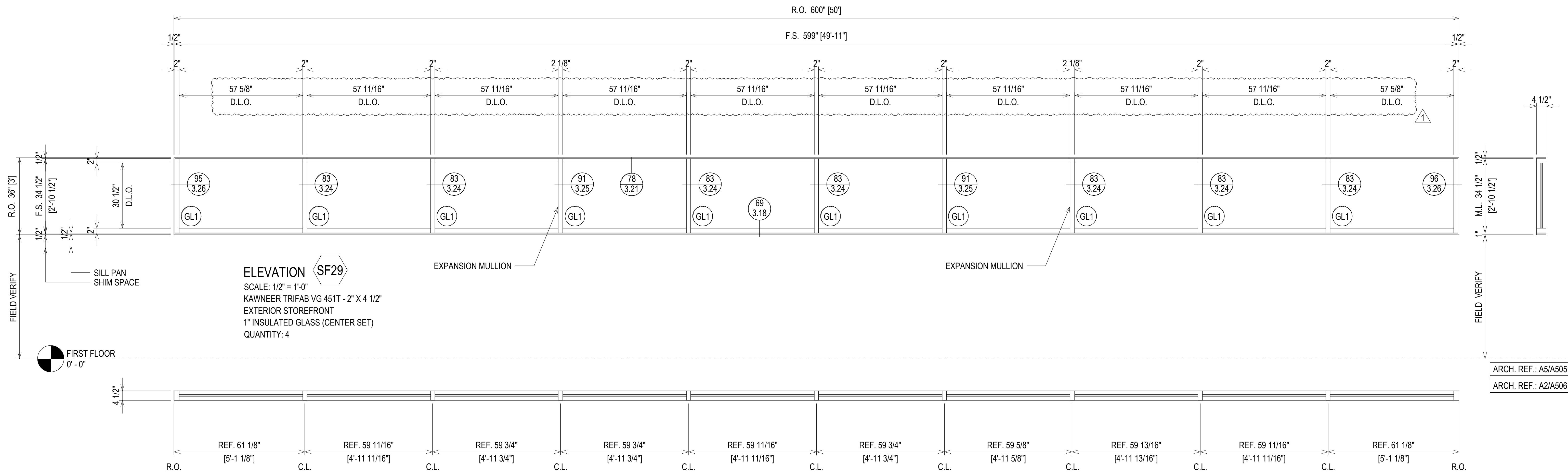
BETHEL HANBERRY ELEMENTARY SCHOOL
 EXTERIOR SUBMITTAL
 125 BONEY ROAD, BLYTHEWOOD, SC 29016



JOB #
20-018

DRAWN BY:	DATE:
RA	04.23.21
CHECKED BY:	DATE:
EW	04.23.21

ERECTOR / G.C. NOTE:
PLEASE FIELD VERIFY ALL DIMENSIONS



REV.	DESCRIPTION	DATE
1	1ST REVISION (RA)	06.19.21
2	2ND REVISION (ENGINEERING)	08.03.21
3	3RD REVISION (MILLER RESISTANT)	08.03.21
NO	DESCRIPTION	

DRAWING SUBMISSION	
--------------------	--

BETHEL HANBERRY ELEMENTARY SCHOOL
 EXTERIOR SUBMITTAL
 125 BONEY ROAD, BLYTHEWOOD, SC 29016

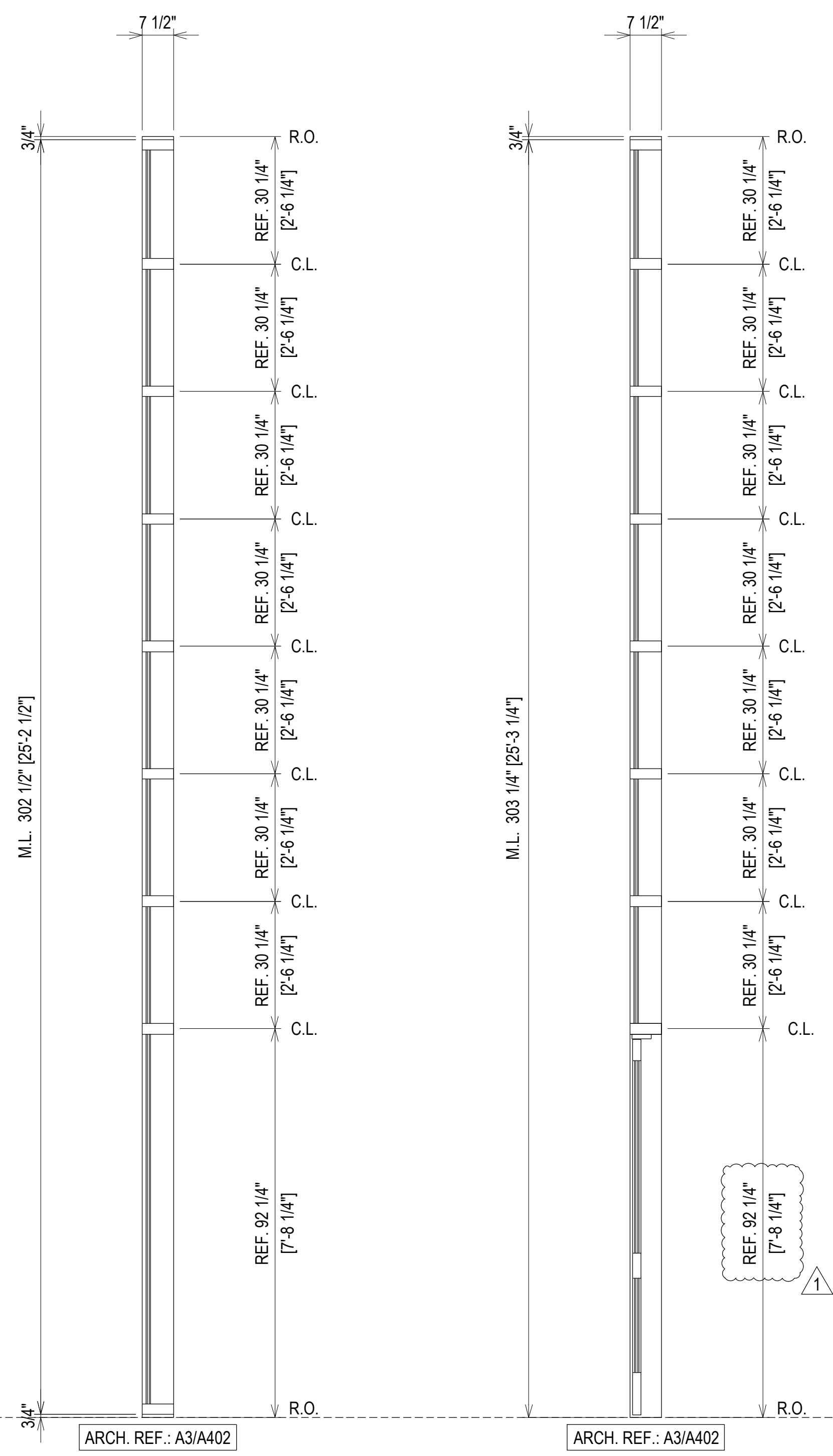
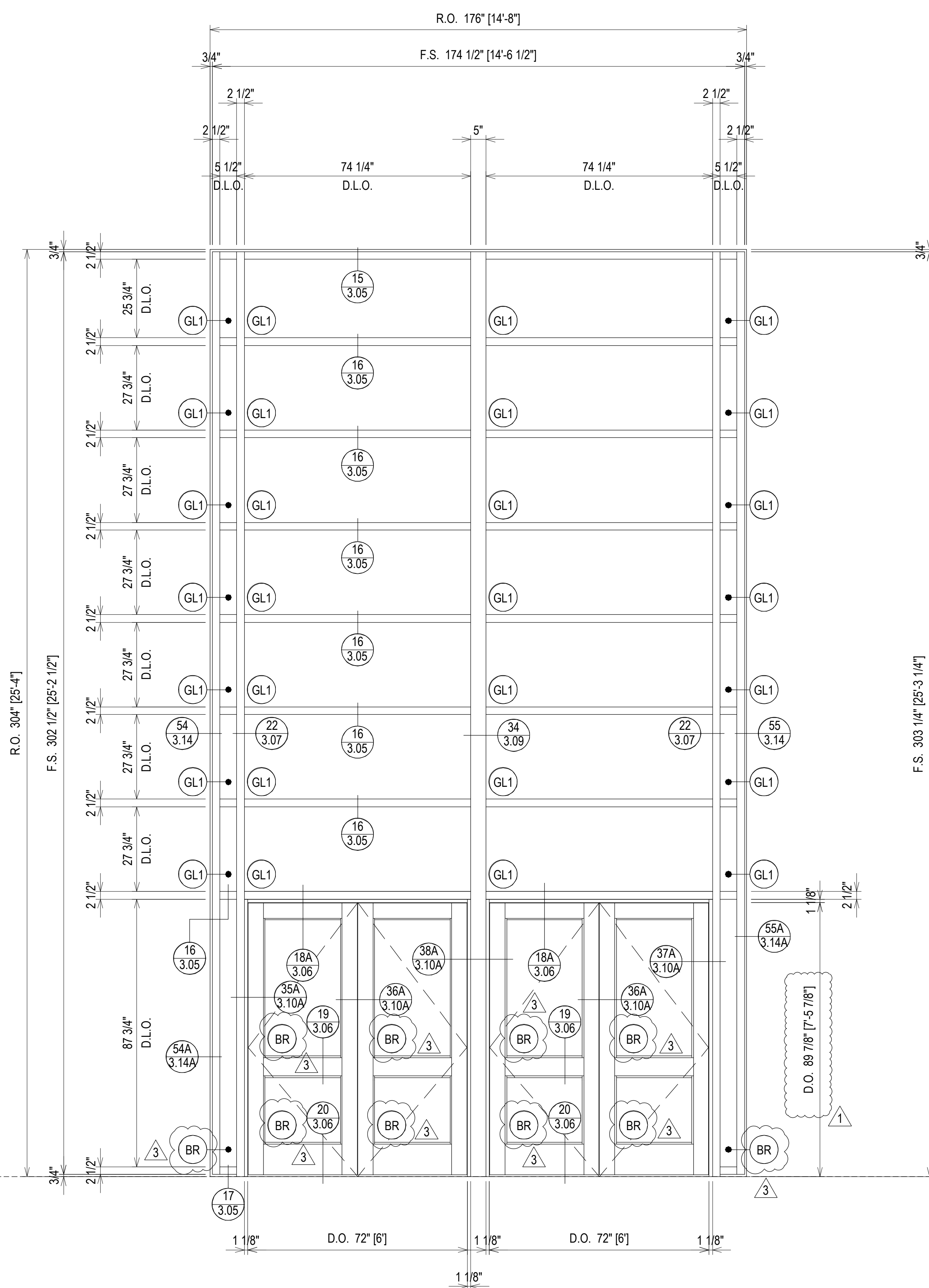
GRAHAM-HODGE ASSOCIATES INC.

JOB # 20-018

DRAWN BY:	DATE:
RA	04.23.21
CHECKED BY:	DATE:
EW	04.23.21

ERECTOR / G.C. NOTE:
PLEASE FIELD VERIFY ALL DIMENSIONS

2.47



ELEVATION W109
 SCALE: 1/2" = 1'-0"
 KAWNEER 1600 SYS. 1 - 2 1/2" X 7 1/2"
 EXTERIOR CURTAIN WALL
 1" INSULATED GLASS (FRONT SET)
 QUANTITY: 1

INTERIOR FRAME

ERECTOR / G.C. NOTE:
 PLEASE FIELD VERIFY ALL DIMENSIONS

REV.	DESCRIPTION	DATE
1	1ST REVISION (RA)	06.19.21
2	2ND REVISION (ENGINEERING)	08.03.21
3	3RD REVISION (ALLET REVISION)	08.03.21
NO	DESCRIPTION	

BETHEL HANBERRY ELEMENTARY SCHOOL
 EXTERIOR SUBMITTAL
 125 BONEY ROAD, BLYTHEWOOD, SC 29016

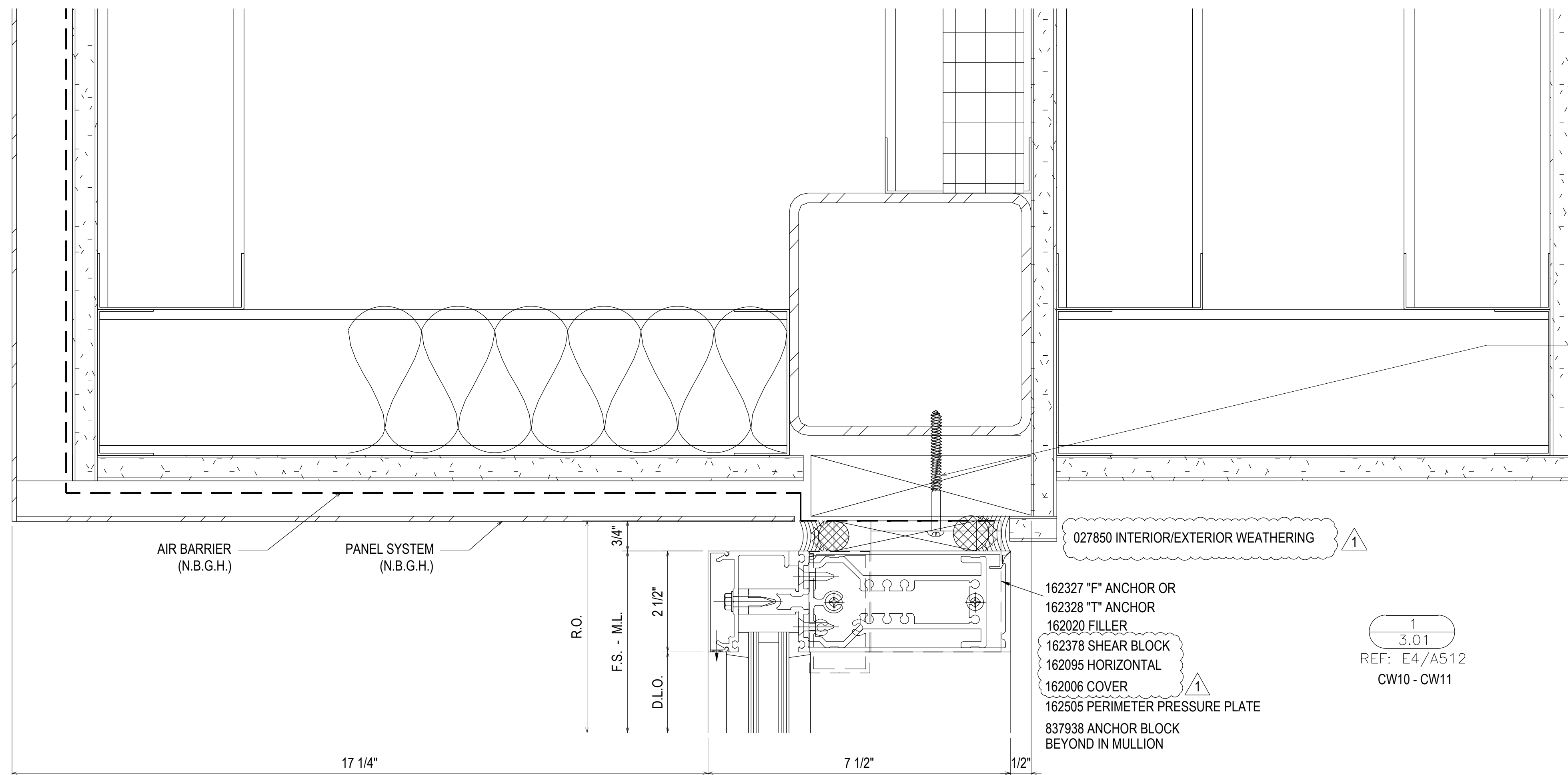


JOB #
 20-018

DRAWN BY:	DATE:
RA	04.23.21
CHECKED BY:	DATE:
EW	04.23.21

2.48

DRAWING SUBMISSION



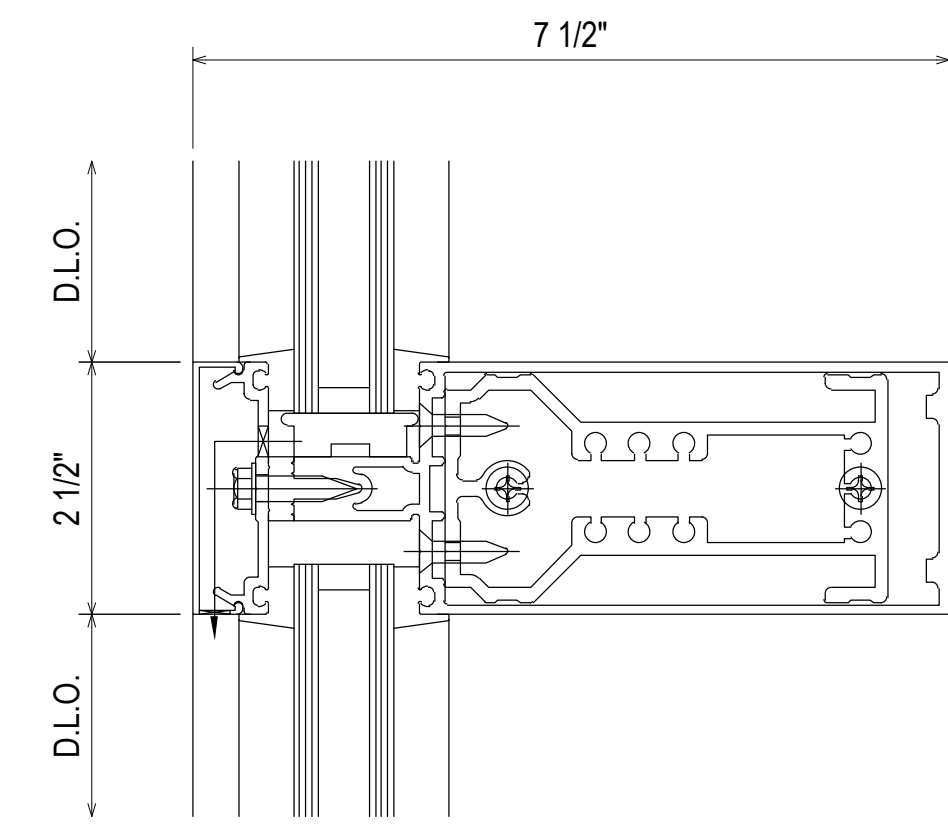
F-CLIP SECURED USING TWO 1/4-20 GRADE 5 SMS
 MINIMUM FULL PENETRATION + 1/2"
 MINIMUM 3/4" EDGE DISTANCE
 MINIMUM 1" ANCHOR SPACING

T-CLIP SECURED USING FOUR 1/4-20 GRADE 5 SMS
 MINIMUM FULL PENETRATION + 1/2"
 MINIMUM 3/4" EDGE DISTANCE
 MINIMUM 1" ANCHOR SPACING
 TWO ANCHORS ON EACH SIDE OF MULLION

027850 INTERIOR/EXTERIOR WEATHERING

162327 "F" ANCHOR OR
 162328 "T" ANCHOR
 162020 FILLER
 162378 SHEAR BLOCK
 162095 HORIZONTAL
 162006 COVER
 162505 PERIMETER PRESSURE PLATE
 837938 ANCHOR BLOCK
 BEYOND IN MULLION

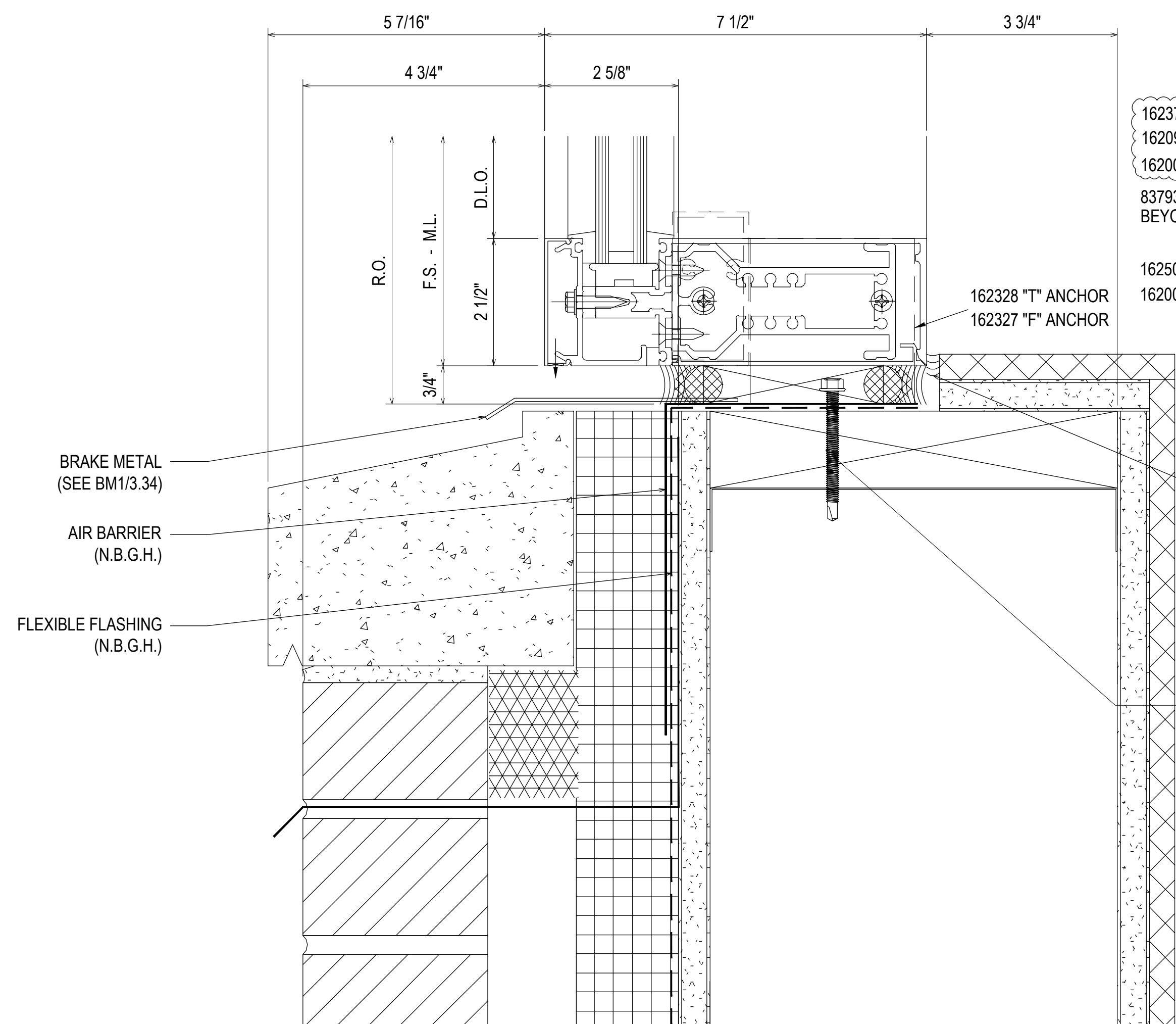
1
 3.01
 REF: E4/A512
 CW10 - CW11



162378 SHEAR BLOCK
 162006 COVER
 162335 PRESSURE PLATE
 162003 HORIZONTAL

3
 3.01
 REF: N/A
 TYPICAL

027853 SETTING BLOCK
 027850 INTERIOR/EXTERIOR WEATHERING



162378 SHEAR BLOCK
 162095 HORIZONTAL
 162006 COVER
 837938 ANCHOR BLOCK
 BEYOND IN MULLION

2
 3.01
 REF: A3/A211
 CW01 - CW02 - CW03 - CW04
 CW05 - CW06

162505 PERIMETER PRESSURE PLATE
 162006 COVER

162328 "T" ANCHOR
 162327 "F" ANCHOR

027853 SETTING BLOCK
 027850 INTERIOR/EXTERIOR WEATHERING

FINISH CAULKING
 (N.B.G.H.)

F-CLIP SECURED USING TWO 1/4-20 GRADE 5 SMS
 MINIMUM FULL PENETRATION + 1/2"
 MINIMUM 3/4" EDGE DISTANCE
 MINIMUM 1" ANCHOR SPACING

T-CLIP SECURED USING FOUR 1/4-20 GRADE 5 SMS
 MINIMUM FULL PENETRATION + 1/2"
 MINIMUM 3/4" EDGE DISTANCE
 MINIMUM 1" ANCHOR SPACING
 TWO ANCHORS ON EACH SIDE OF MULLION

REV.	DESCRIPTION	DATE
1	1ST REVISION (RA)	06.19.21
2	2ND REVISION (ENGINEERING)	06.08.21
3	3RD REVISION (BULLET RESISTANT)	08.03.21
NO	DESCRIPTION	

BETHEL HANBERRY ELEMENTARY SCHOOL
 EXTERIOR SUBMITTAL
 125 BONEY ROAD, BLYTHEWOOD, SC 29016

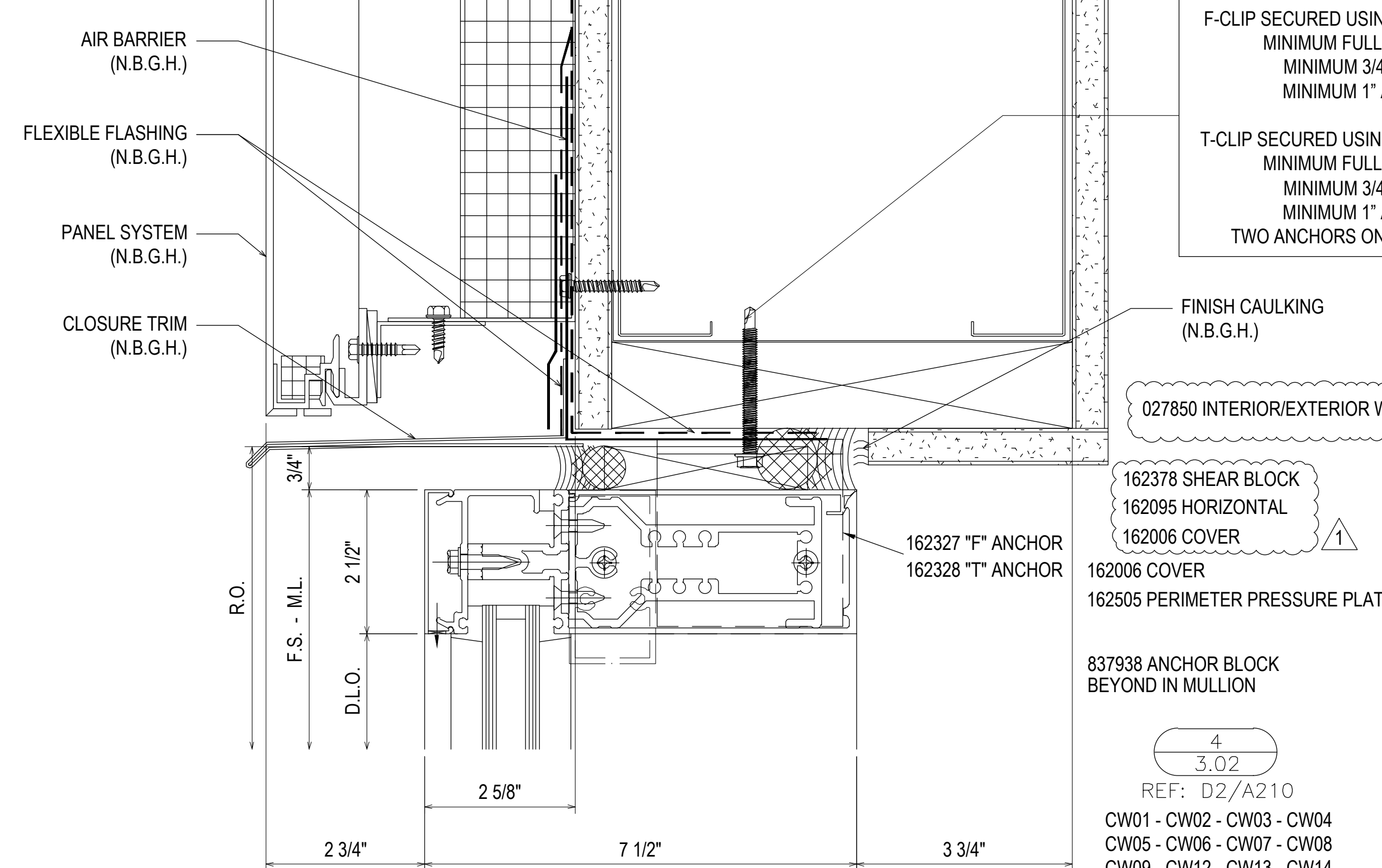


JOB #
20-018

DRAWN BY:	DATE:
RA	04.23.21
CHECKED BY:	DATE:
EW	04.23.21

3.01

DRAWING SUBMISSION



F-CLIP SECURED USING TWO 1/4-20 GRADE 5 SMS
MINIMUM FULL PENETRATION + 1/2"
MINIMUM 3/4" EDGE DISTANCE
MINIMUM 1" ANCHOR SPACING

T-CLIP SECURED USING FOUR 1/4-20 GRADE 5 SMS
MINIMUM FULL PENETRATION + 1/2"
MINIMUM 3/4" EDGE DISTANCE
MINIMUM 1" ANCHOR SPACING
TWO ANCHORS ON EACH SIDE OF MULLION

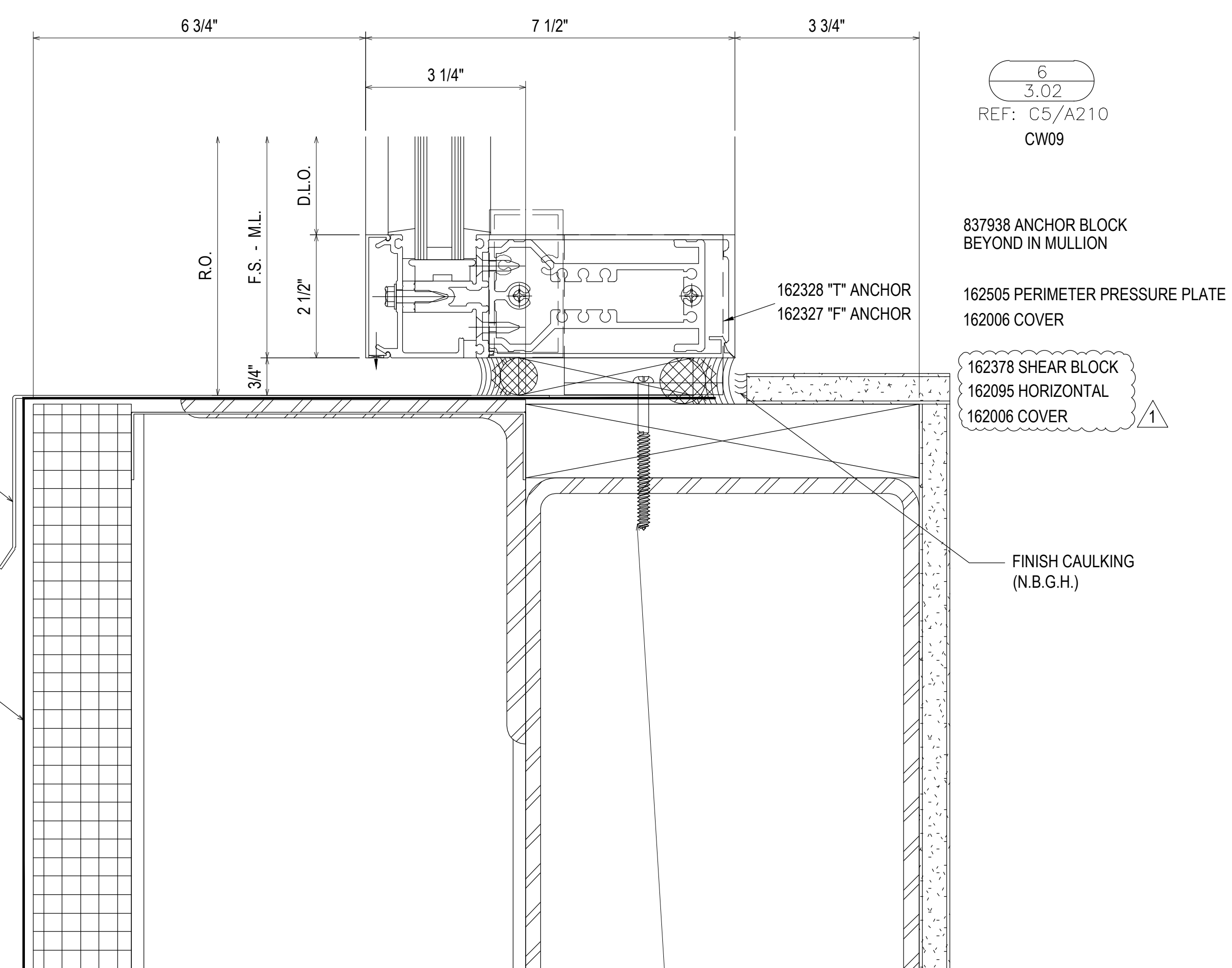
027850 INTERIOR/EXTERIOR WEATHERING

162378 SHEAR BLOCK
162095 HORIZONTAL
162006 COVER

162327 "F" ANCHOR
162328 "T" ANCHOR
162006 COVER
162505 PERIMETER PRESSURE PLATE

837938 ANCHOR BLOCK
BEYOND IN MULLION

4
3.02
REF: D2/A210
CW01 - CW02 - CW03 - CW04
CW05 - CW06 - CW07 - CW08
CW09 - CW12 - CW13 - CW14



027853 SETTING BLOCK
027850 INTERIOR/EXTERIOR WEATHERING

6
3.02
REF: C5/A210
CW09

837938 ANCHOR BLOCK
BEYOND IN MULLION

162328 "T" ANCHOR
162327 "F" ANCHOR
162505 PERIMETER PRESSURE PLATE
162006 COVER

162378 SHEAR BLOCK
162095 HORIZONTAL
162006 COVER

BRAKE METAL
(SEE BM2/3.34)

ROOFING MEMBRANE
(N.B.G.H.)

5
3.02
REF: A2/A210
CW07 - CW08

837938 ANCHOR BLOCK
BEYOND IN MULLION

162505 PERIMETER PRESSURE PLATE
162006 COVER

162378 SHEAR BLOCK
162095 HORIZONTAL
162006 COVER

162328 "T" ANCHOR
162327 "F" ANCHOR

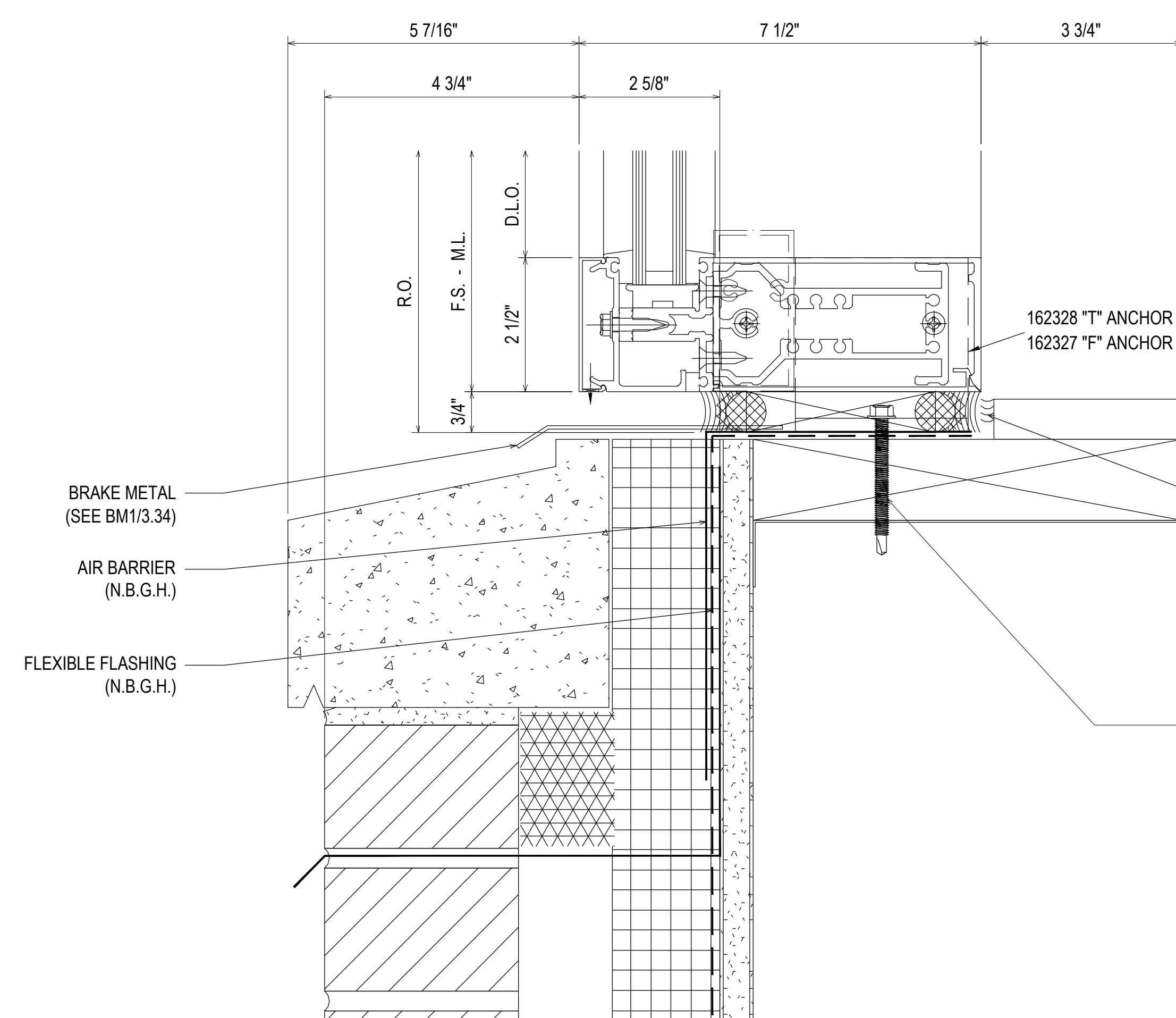
027853 SETTING BLOCK
027850 INTERIOR/EXTERIOR WEATHERING

F-CLIP SECURED USING TWO 1/4-20 GRADE 5 SMS
MINIMUM FULL PENETRATION + 1/2"
MINIMUM 3/4" EDGE DISTANCE
MINIMUM 1" ANCHOR SPACING

T-CLIP SECURED USING FOUR 1/4-20 GRADE 5 SMS
MINIMUM FULL PENETRATION + 1/2"
MINIMUM 3/4" EDGE DISTANCE
MINIMUM 1" ANCHOR SPACING
TWO ANCHORS ON EACH SIDE OF MULLION

F-CLIP SECURED USING TWO 1/4-20 GRADE 5 SMS
MINIMUM FULL PENETRATION + 1/2"
MINIMUM 3/4" EDGE DISTANCE
MINIMUM 1" ANCHOR SPACING

T-CLIP SECURED USING FOUR 1/4-20 GRADE 5 SMS
MINIMUM FULL PENETRATION + 1/2"
MINIMUM 3/4" EDGE DISTANCE
MINIMUM 1" ANCHOR SPACING
TWO ANCHORS ON EACH SIDE OF MULLION



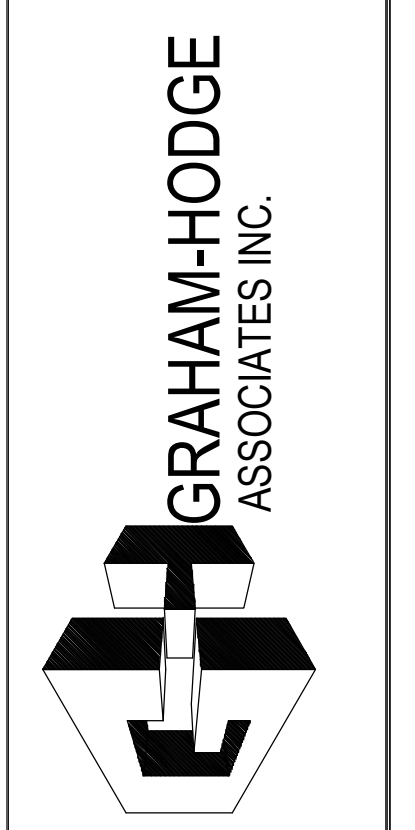
027853 SETTING BLOCK
027850 INTERIOR/EXTERIOR WEATHERING

F-CLIP SECURED USING TWO 1/4-20 GRADE 5 SMS
MINIMUM FULL PENETRATION + 1/2"
MINIMUM 3/4" EDGE DISTANCE
MINIMUM 1" ANCHOR SPACING

T-CLIP SECURED USING FOUR 1/4-20 GRADE 5 SMS
MINIMUM FULL PENETRATION + 1/2"
MINIMUM 3/4" EDGE DISTANCE
MINIMUM 1" ANCHOR SPACING
TWO ANCHORS ON EACH SIDE OF MULLION

REV.	DESCRIPTION	DATE
1	1ST REVISION (RA)	06.19.21
2	2ND REVISION (ENGINEERING)	06.08.21
3	3RD REVISION (BULLET RESISTANT)	08.03.21
NO	DESCRIPTION	

BETHEL HANBERRY ELEMENTARY SCHOOL
EXTERIOR SUBMITTAL
125 BONEY ROAD, BLYTHEWOOD, SC 29016

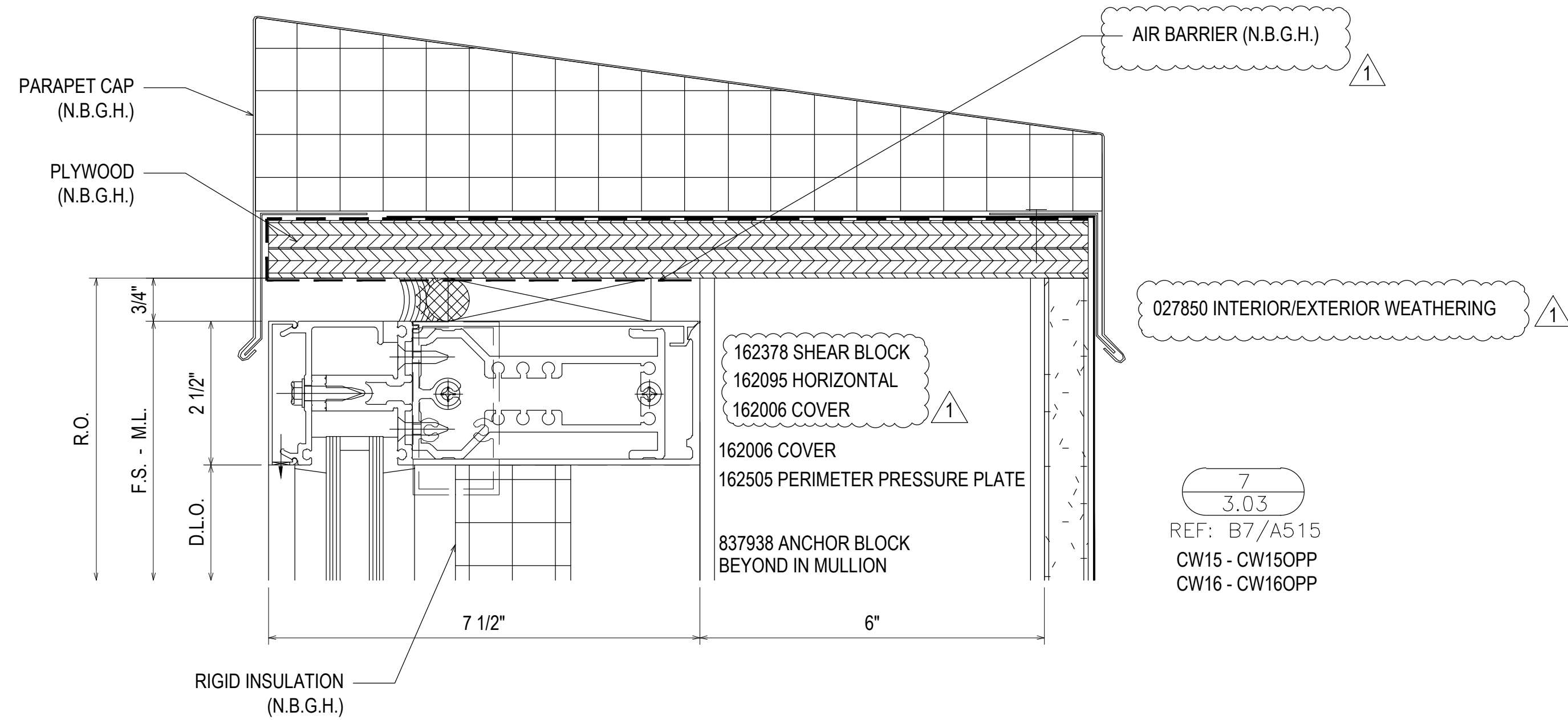


JOB #
20-018

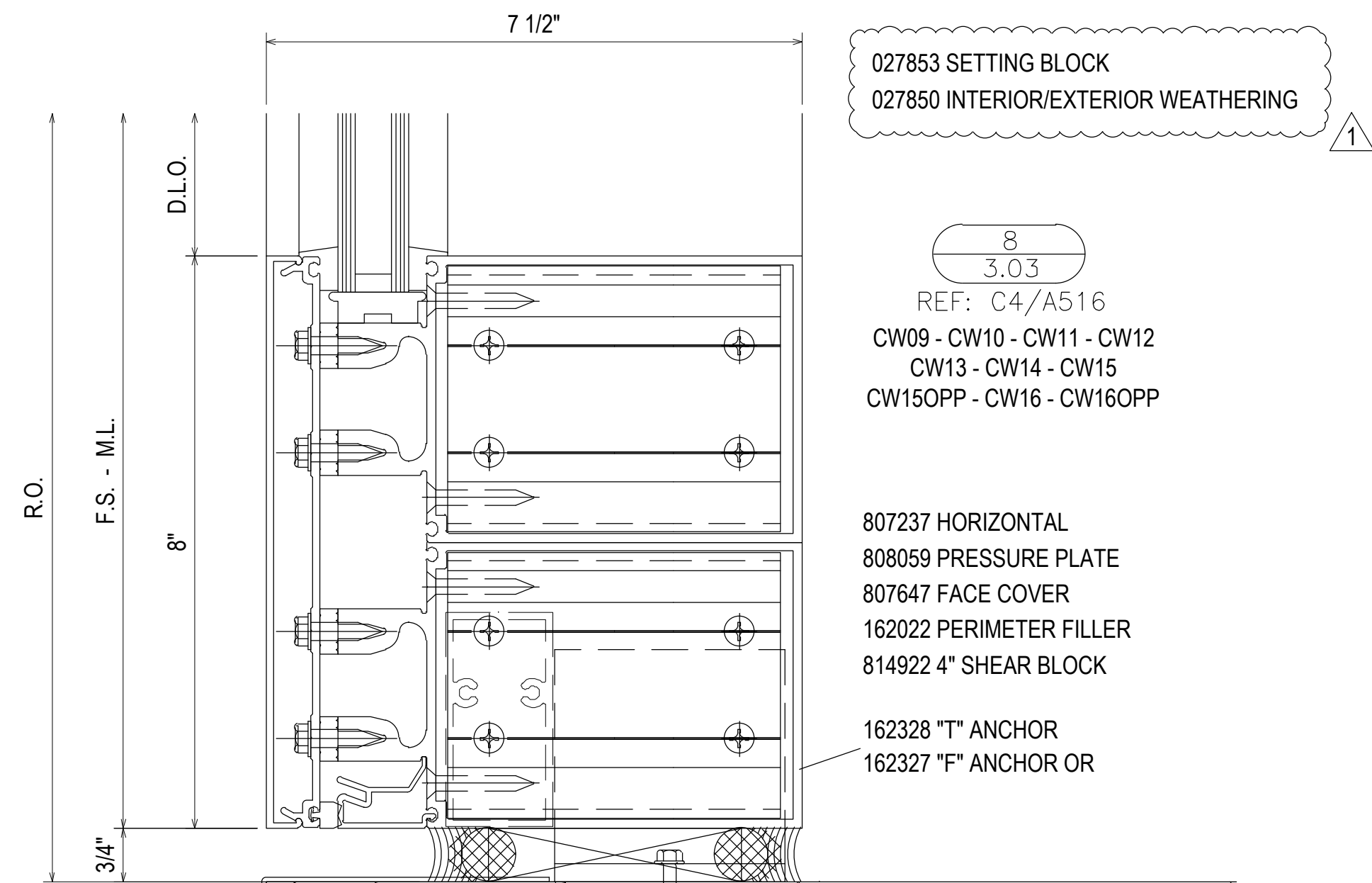
DRAWN BY:	DATE:
RA	04.23.21
CHECKED BY:	DATE:
EW	04.23.21

3.02

DRAWING SUBMISSION



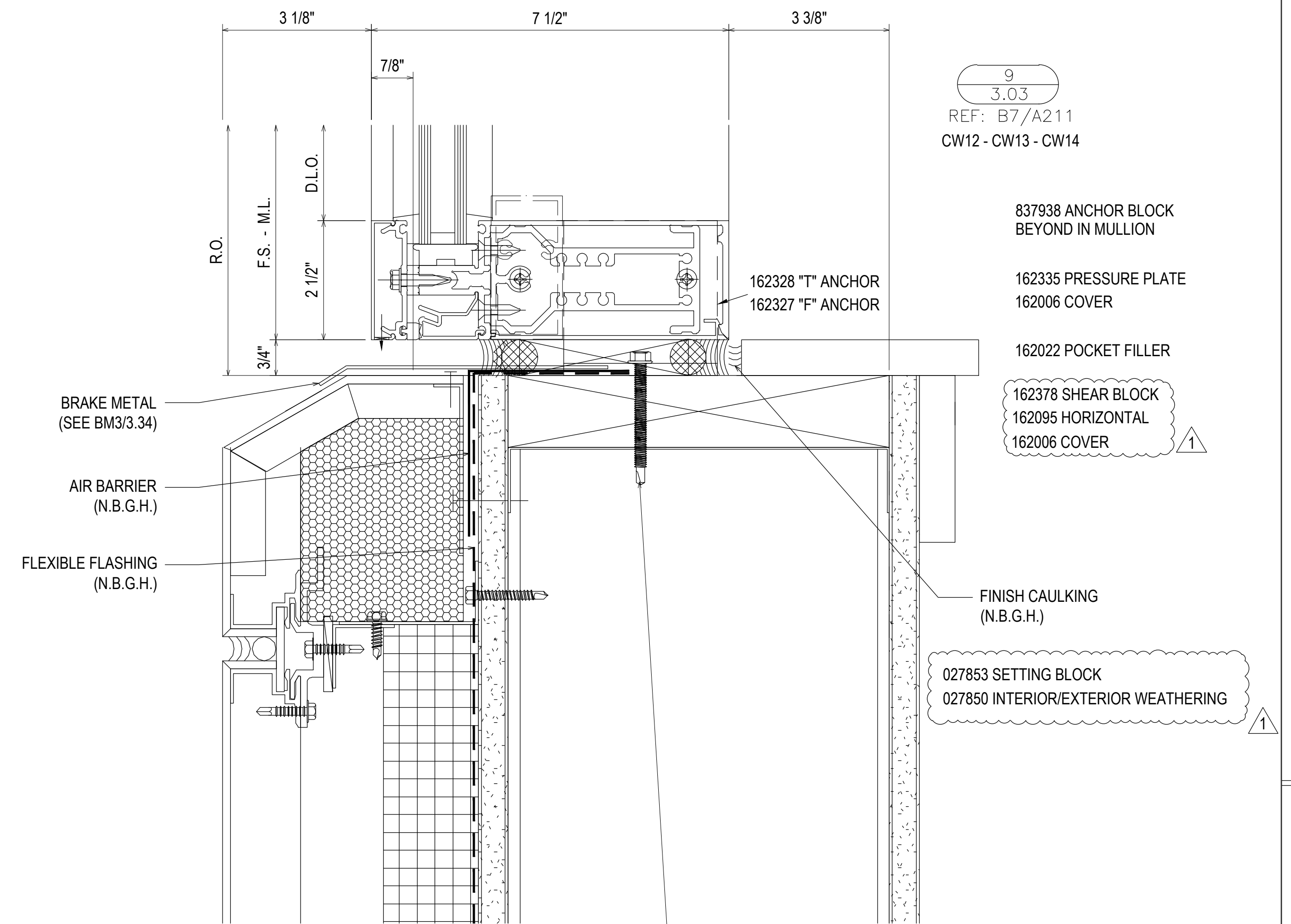
NOTE: ANCHORING TO BE BELOW @ WIND/DEAD LOAD ANCHORS ATTACHED @ STRUCTURAL STEEL (N.B.G.H.)



BRAKE METAL (SEE BM17/3.34)

F-/U-CLIP SECURED USING TWO 3/8\"/>

T-CLIP SECURED USING TWO 3/8\"/>



F-CLIP SECURED USING TWO 1/4-20 GRADE 5 SMS MINIMUM FULL PENETRATION + 1/2\"/>

T-CLIP SECURED USING FOUR 1/4-20 GRADE 5 SMS MINIMUM FULL PENETRATION + 1/2\"/>

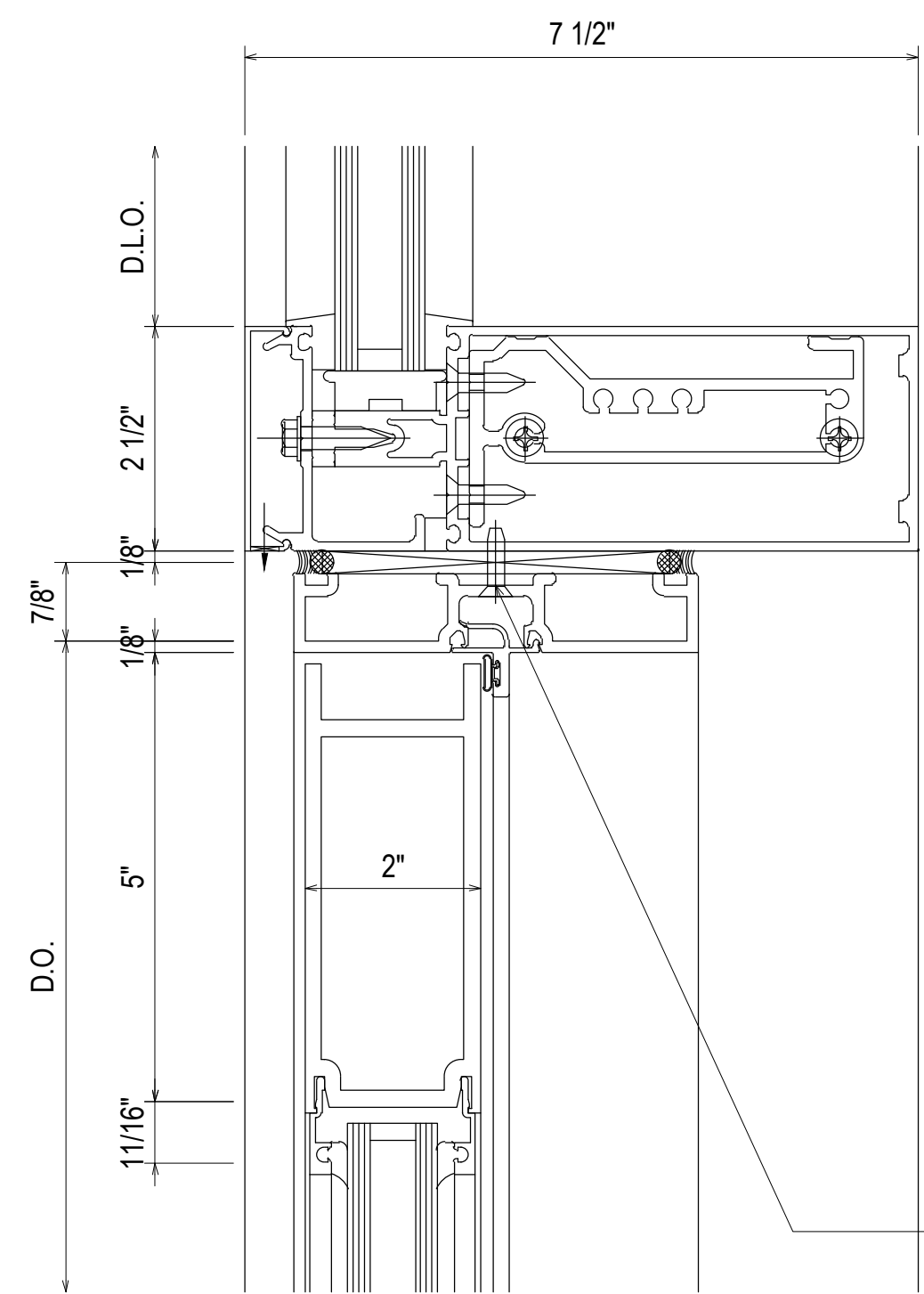
REV.	DESCRIPTION	DATE
1	1ST REVISION (RA)	06.19.21
2	2ND REVISION (ENGINEERING)	06.08.21
3	3RD REVISION (MULLION RESISTANT)	08.03.21
NO	DESCRIPTION	

BETHEL HANBERRY ELEMENTARY SCHOOL
EXTERIOR SUBMITTAL
125 BONEY ROAD, BLYTHEWOOD, SC 29016



JOB # 20-018

DRAWN BY:	DATE:
RA	04.23.21
CHECKED BY:	DATE:
EW	04.23.21



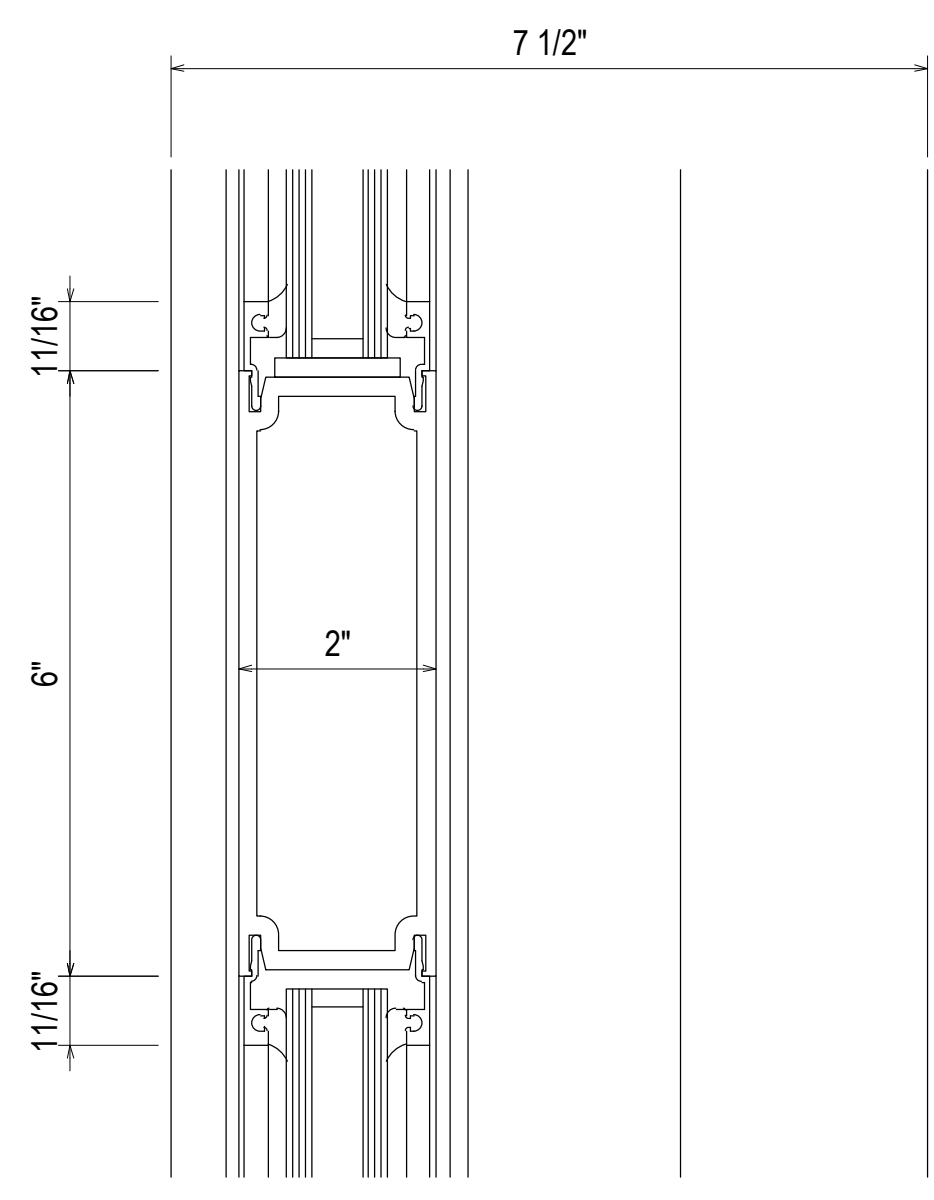
027853 SETTING BLOCK
027850 INTERIOR/EXTERIOR WEATHERING

162003 HORIZONTAL
162505 PERIMETER PRESSURE PLATE
162006 COVER
162332 SHEAR BLOCK

163036 DOOR SUBFRAME
400520 DOOR STOP
200180 500 HW TOP RAIL

10
3.04
REF: N/A
CW10 - CW12 - CW14 - CW15
CW15OPP

#12-24 GRADE 5 SMS WITH A MINIMUM FULL PENETRATION + 1/2"
MINIMUM 3/8" EDGE DISTANCE
SPACED 3" FROM END AND 24" O.C. THEREAFTER

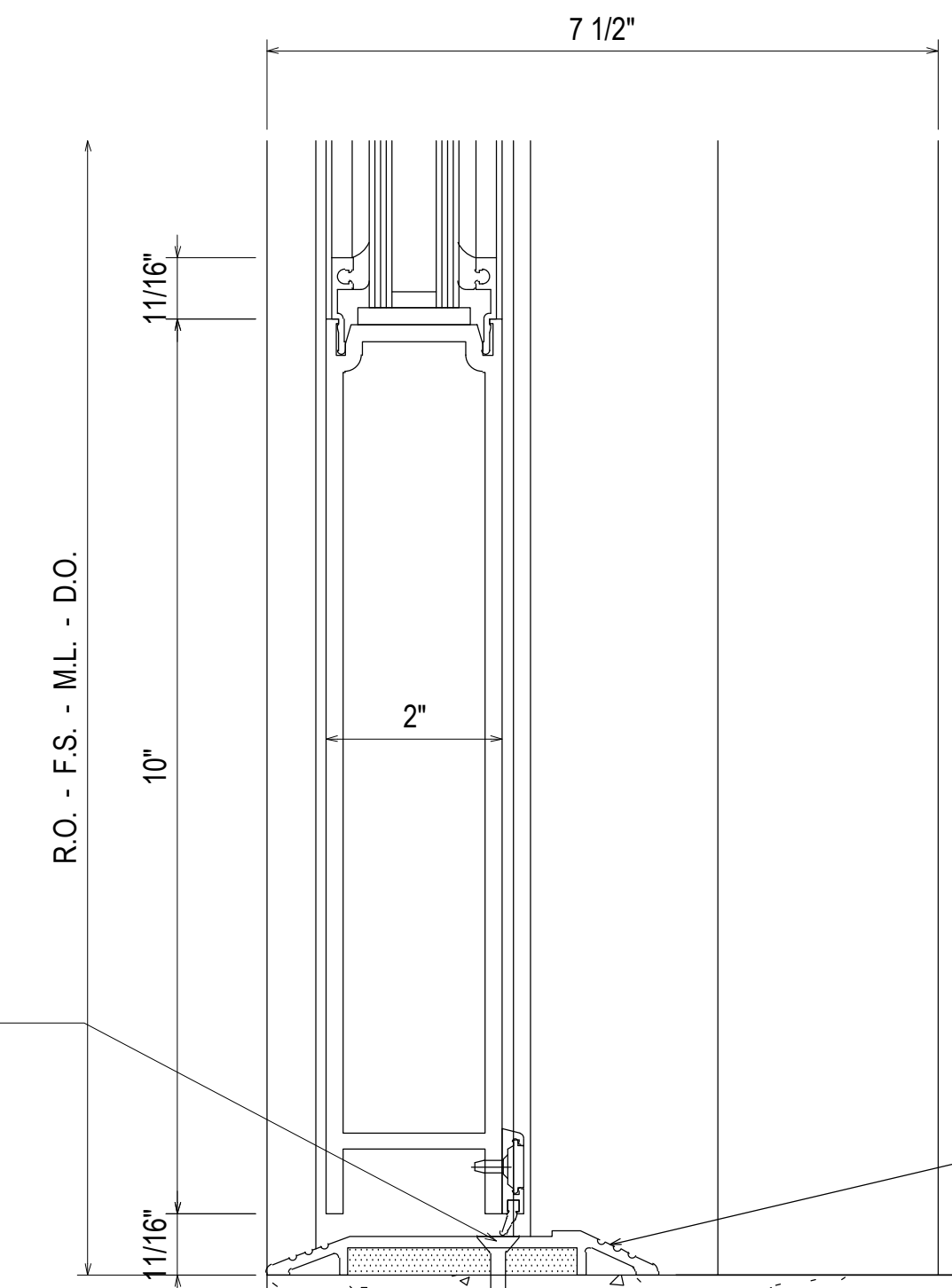


027-563 WEATHERING
027-081 SETTING BLOCK

200184 6" CROSS RAIL

11
3.04
REF: N/A
CW10 - CW12 - CW14 - CW15
CW15OPP

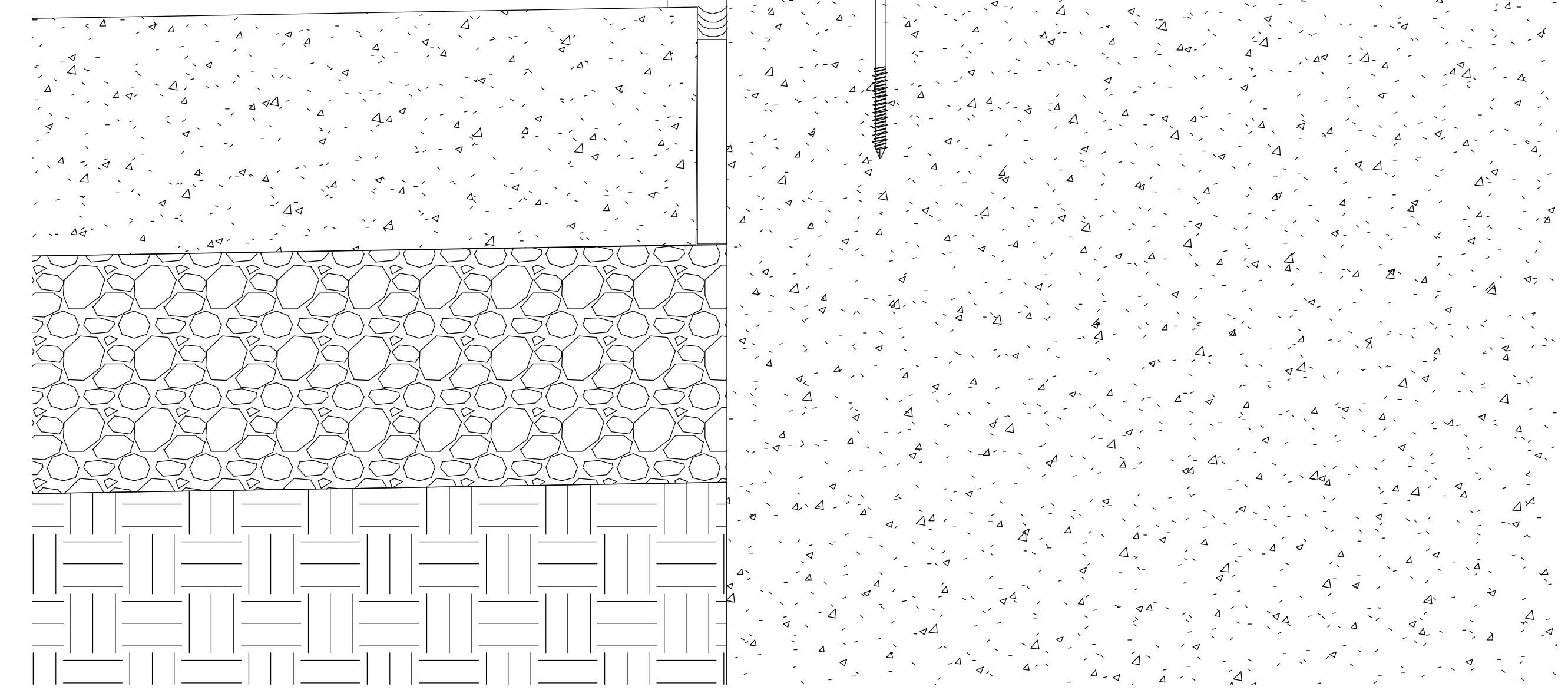
1/4" COUNTERSUNK HILTI KWIK CON II + WITH MINIMUM 1-3/4" EMBEDMENT
MINIMUM 3" EDGE DISTANCE
SPACED 3" FROM END AND 18" O.C. THEREAFTER



027-563 WEATHERING
027-081 SETTING BLOCK

12
3.04
REF: B4/A202
CW10 - CW12 - CW14 - CW15
CW15OPP

200188 10" BOTTOM RAIL



REV.	DESCRIPTION	DATE
1	1ST REVISION (RA)	06.19.21
2	2ND REVISION (ENGINEERING)	06.08.21
3	3RD REVISION (BULLET RESISTANT)	08.03.21
NO	DESCRIPTION	

BETHEL HANBERRY ELEMENTARY SCHOOL
EXTERIOR SUBMITTAL
125 BONEY ROAD, BLYTHEWOOD, SC 29016

GRAHAM-HODGE ASSOCIATES INC.
JOB # 20-018

DRAWN BY:	DATE:
RA	04.23.21
CHECKED BY:	DATE:
EW	04.23.21

3.04

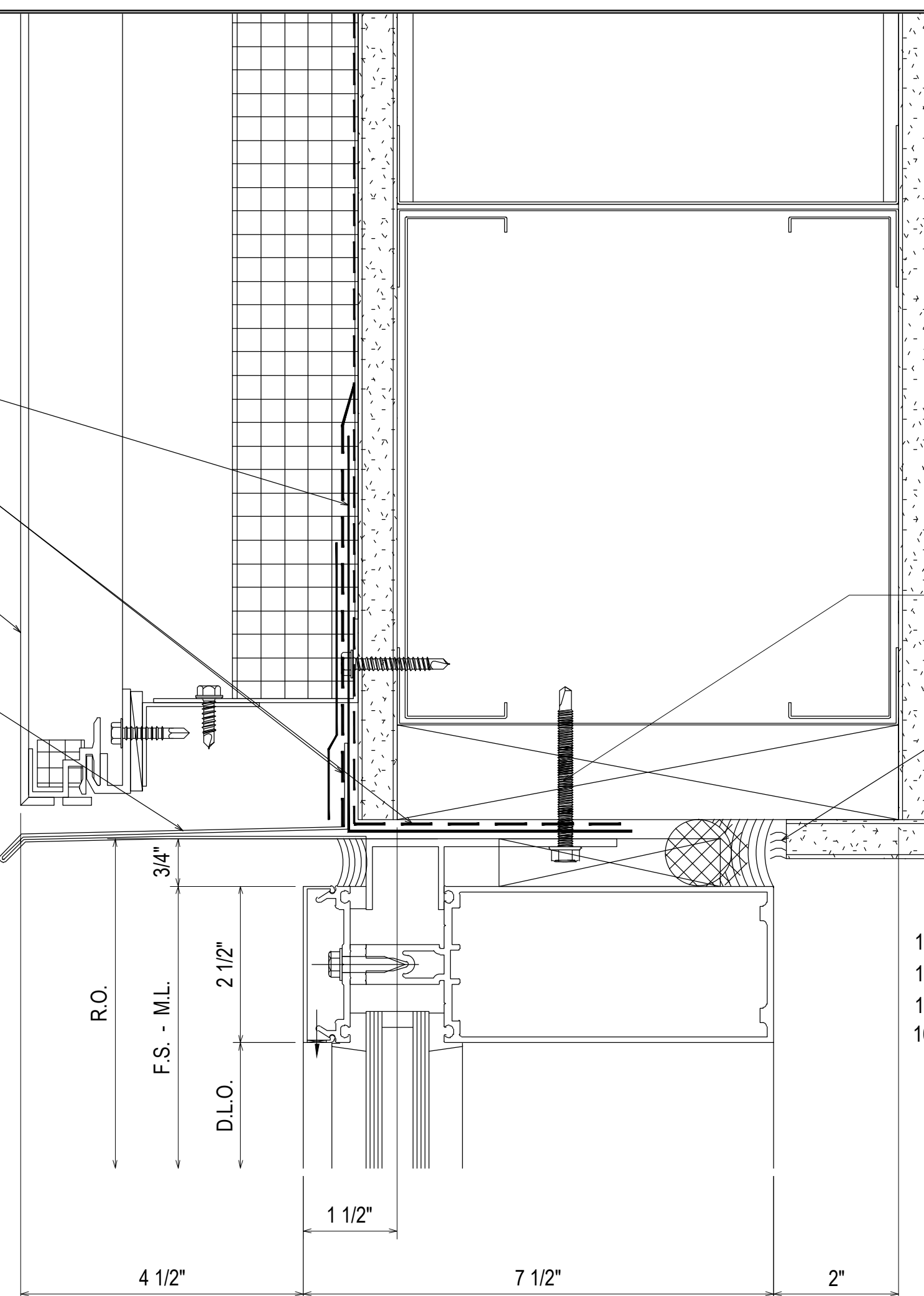
DRAWING SUBMISSION

AIR BARRIER
(N.B.G.H.)

FLEXIBLE FLASHING
(N.B.G.H.)

PANEL SYSTEM
(N.B.G.H.)

CLOSURE TRIM
(N.B.G.H.)



GLAZING CLIP SECURED USING 1/4-20 GRADE 5 SMS
MINIMUM FULL PENETRATION + 1/2"
MINIMUM 3/8" EDGE DISTANCE
ANCHORS SPACED 24" O.C.

FINISH CAULKING
(N.B.G.H.)

027850 INTERIOR/EXTERIOR WEATHERING

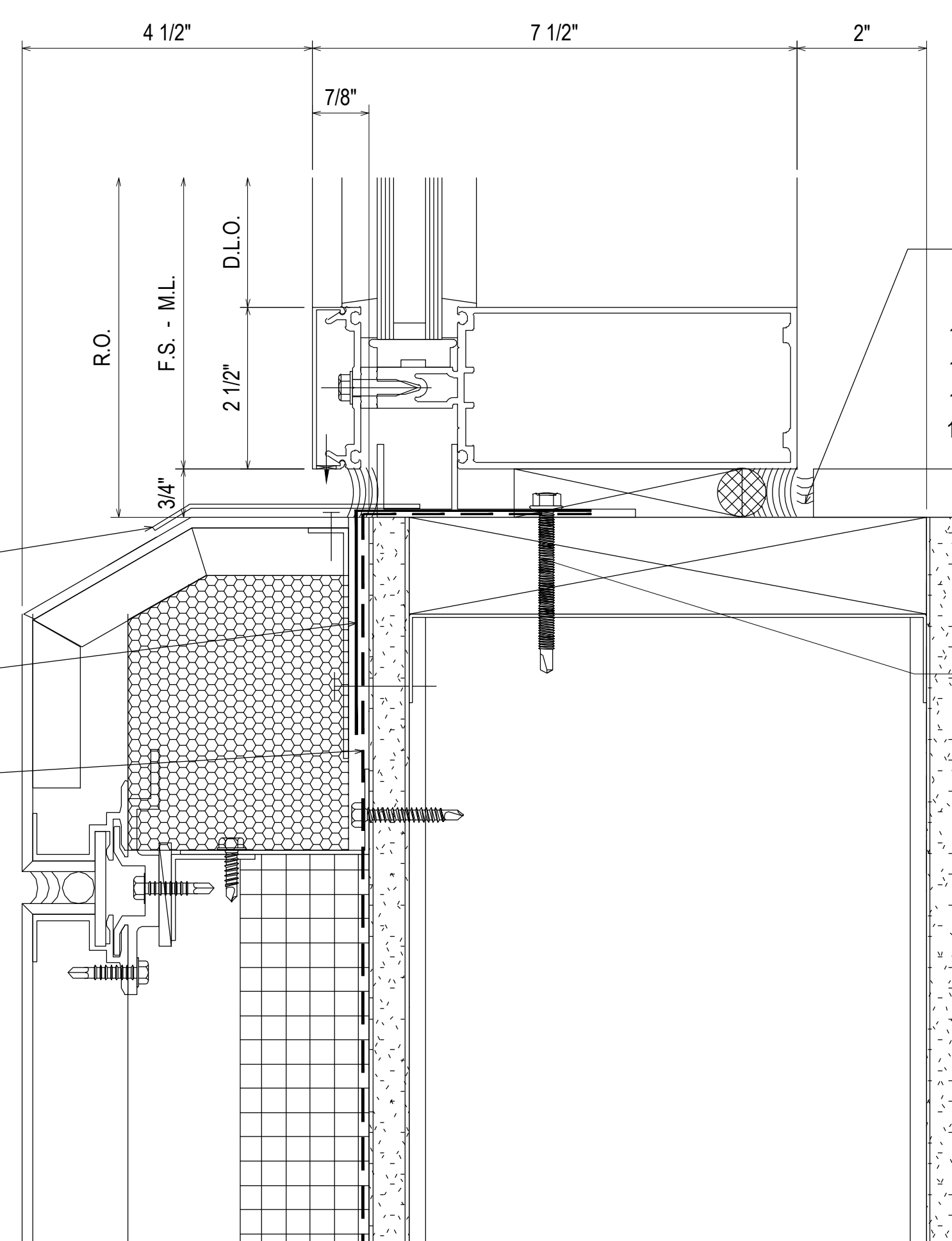
162017 F PERIMETER
162006 COVER
162335 PRESSURE PLATE
162003 HORIZONTAL

13
3.05
REF: D2/A210
SF27

BRAKE METAL
(SEE BM3/3.34)

AIR BARRIER
(N.B.G.H.)

FLEXIBLE FLASHING
(N.B.G.H.)



FINISH CAULKING
(N.B.G.H.)

162017 F PERIMETER
162006 COVER
162335 PRESSURE PLATE
162003 HORIZONTAL

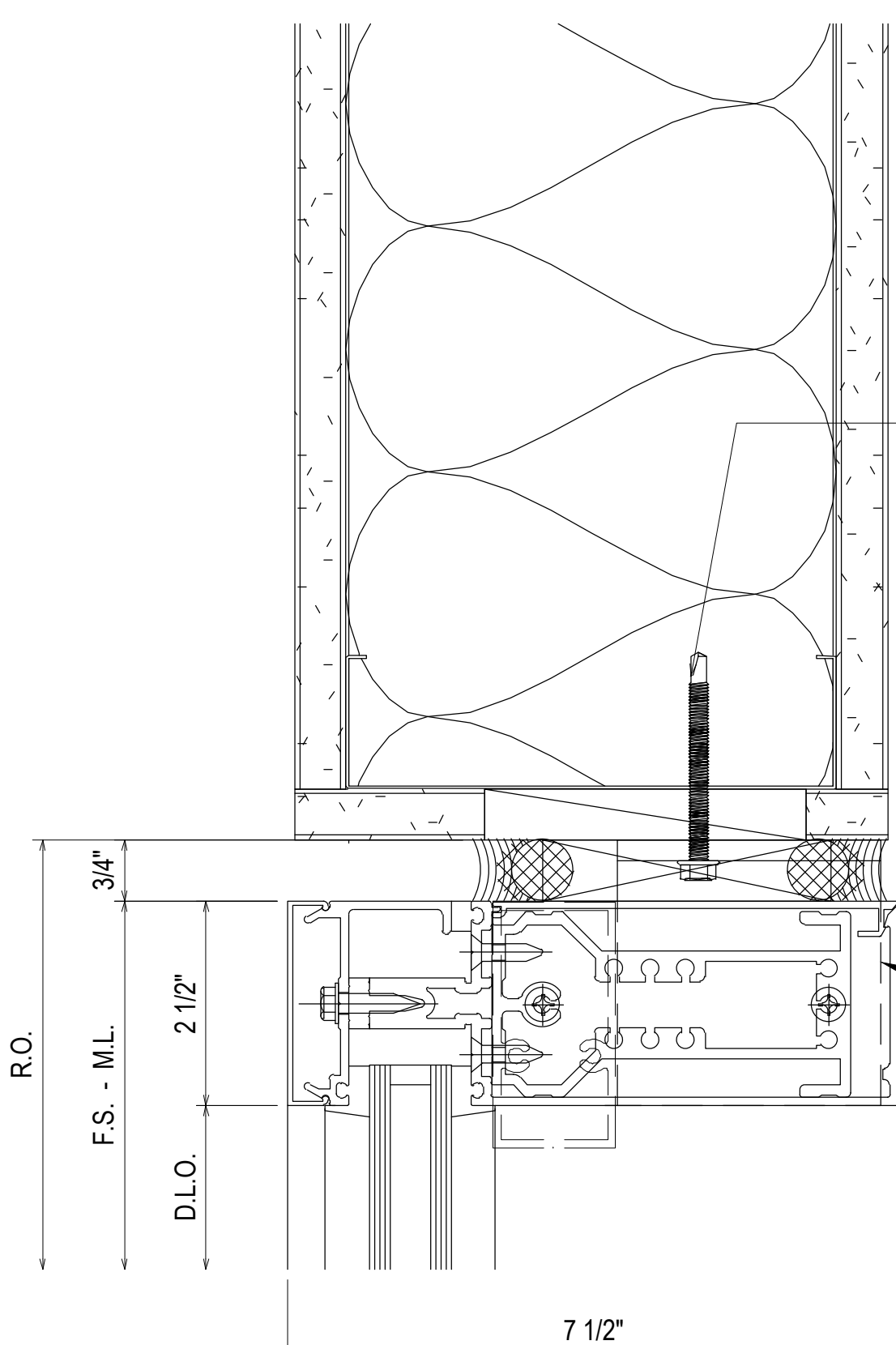
14
3.05
REF: B7/A211
SF27

027853 SETTING BLOCK
027850 INTERIOR/EXTERIOR WEATHERING

GLAZING CLIP SECURED USING 1/4-20 GRADE 5 SMS
MINIMUM FULL PENETRATION + 1/2"
MINIMUM 3/8" EDGE DISTANCE
ANCHORS SPACED 24" O.C.

F-U-CLIP SECURED USING TWO 3/8" HILTI KWIK HUS EZ ANCHORS
MINIMUM 2-1/2" EMBEDMENT
MINIMUM 3" EDGE DISTANCE
MINIMUM 3" ANCHOR SPACING

T-CLIP SECURED USING TWO 3/8" HILTI KWIK HUS EZ ANCHORS
MINIMUM 2-1/2" EMBEDMENT
MINIMUM 3" EDGE DISTANCE
MINIMUM 3" ANCHOR SPACING
ONE ANCHOR ON EACH SIDE OF MULLION



F-CLIP SECURED USING TWO 1/4-20 GRADE 5 SMS
MINIMUM FULL PENETRATION + 1/2"
MINIMUM 3/4" EDGE DISTANCE
MINIMUM 1" ANCHOR SPACING

T-CLIP SECURED USING FOUR 1/4-20 GRADE 5 SMS
MINIMUM FULL PENETRATION + 1/2"
MINIMUM 3/4" EDGE DISTANCE
MINIMUM 1" ANCHOR SPACING
TWO ANCHORS ON EACH SIDE OF MULLION

027850 INTERIOR/EXTERIOR WEATHERING

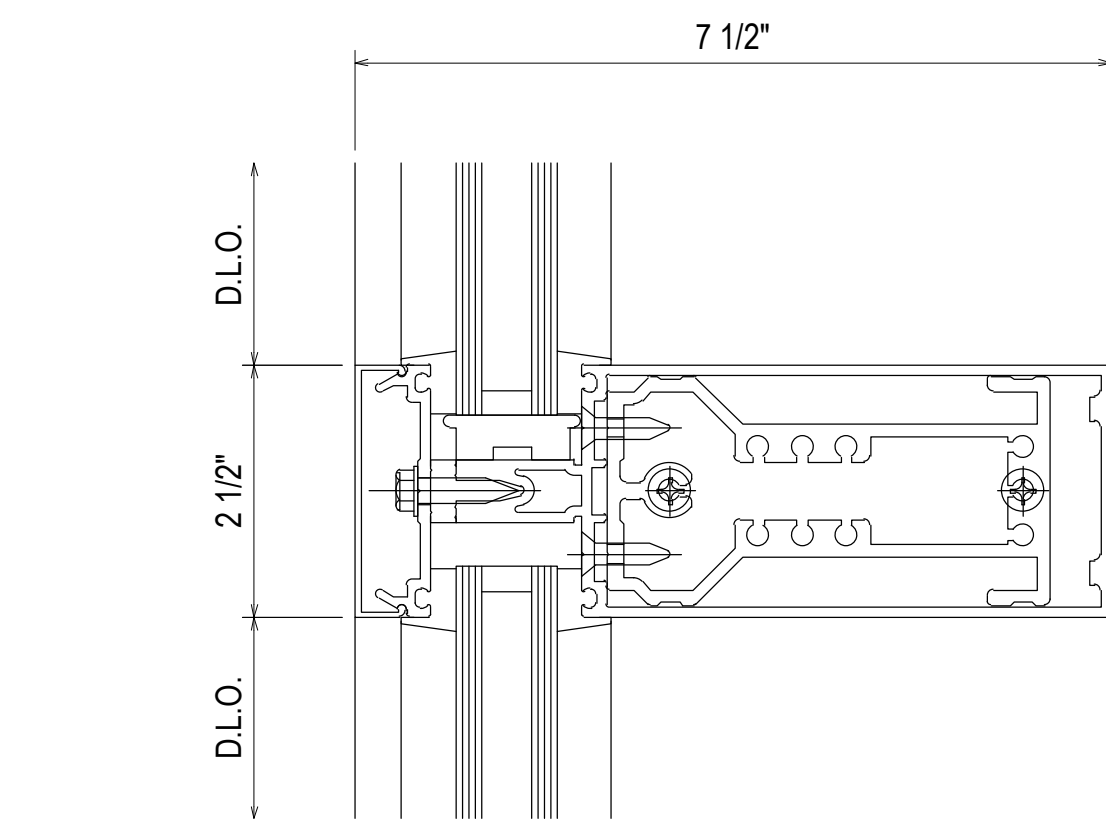
162378 SHEAR BLOCK
162095 HORIZONTAL
162006 COVER

162327 "F" ANCHOR OR
162328 "T" ANCHOR

162006 COVER
162505 PERIMETER PRESSURE PLATE

837938 ANCHOR BLOCK
BEYOND IN MULLION

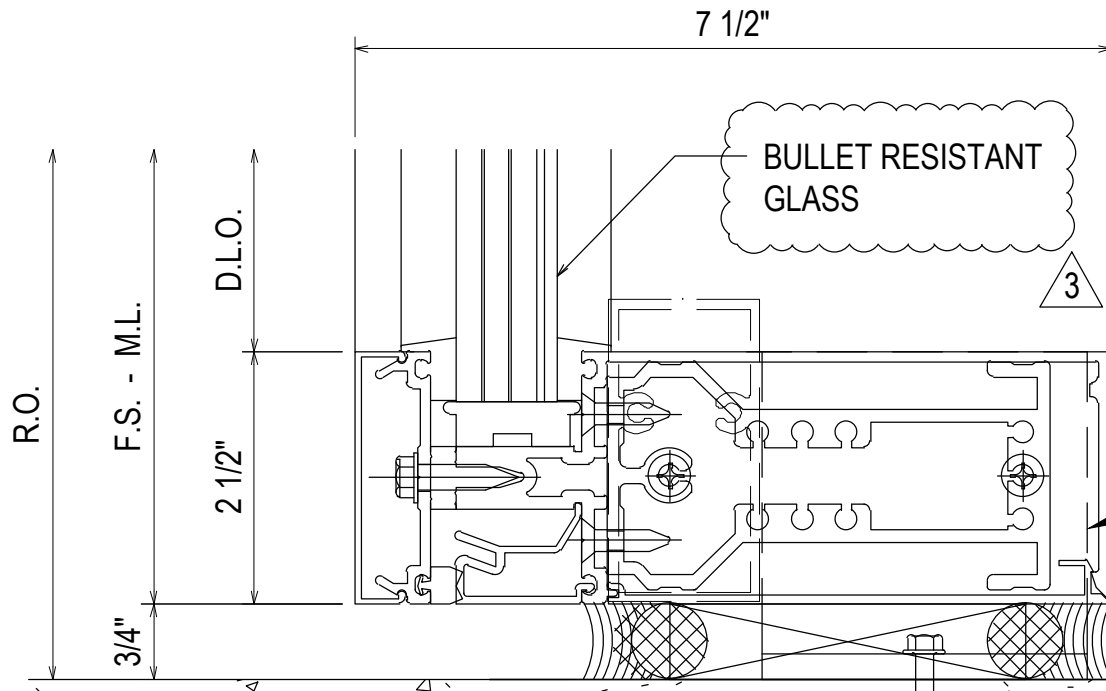
15
3.05
REF: F5/A202B
WI09



027853 SETTING BLOCK
027850 INTERIOR/EXTERIOR WEATHERING

162378 SHEAR BLOCK
162006 COVER
162335 PRESSURE PLATE
162003 HORIZONTAL

16
3.05
REF: N/A
WI09



BULLET RESISTANT
GLASS

837938 ANCHOR BLOCK
BEYOND IN MULLION

162335 PRESSURE PLATE
162006 COVER

162022 POCKET FILLER

162378 SHEAR BLOCK
162095 HORIZONTAL
162006 COVER

027853 SETTING BLOCK
027850 INTERIOR/EXTERIOR WEATHERING

REV.	DESCRIPTION	DATE
1	1ST REVISION (RA)	06.19.21
2	2ND REVISION (ENGINEERING)	06.08.21
3	3RD REVISION (BULLET RESISTANT)	08.03.21
NO	DESCRIPTION	

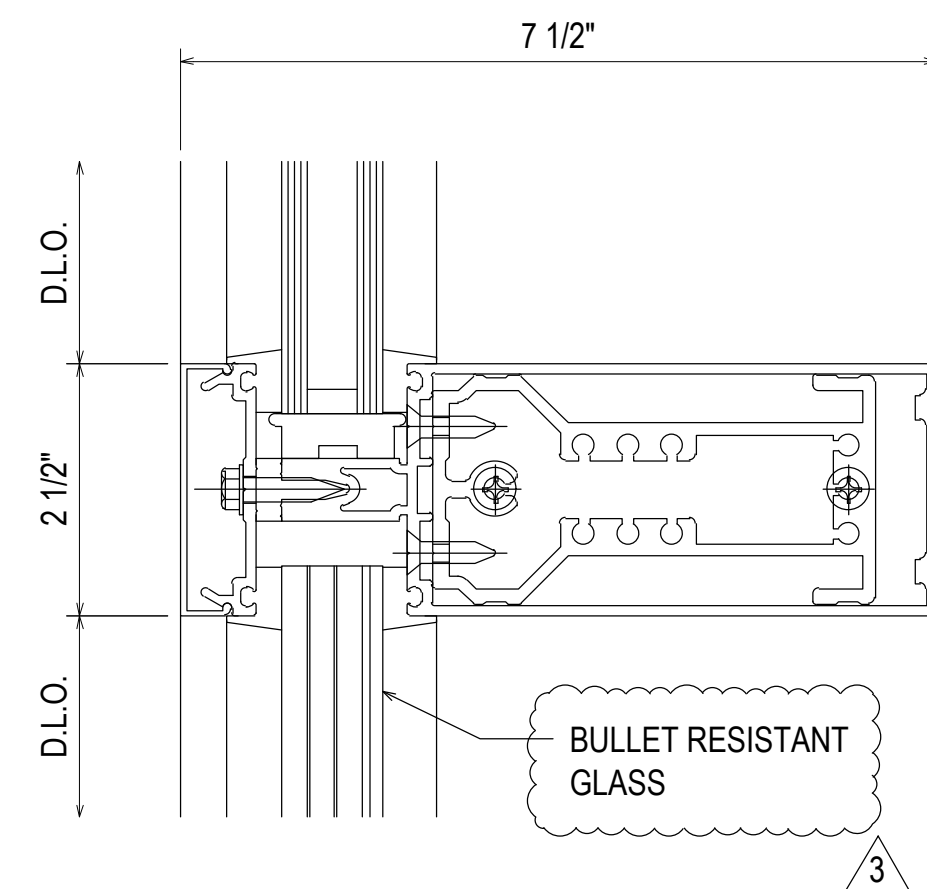
BETHEL HANBERRY ELEMENTARY SCHOOL
EXTERIOR SUBMITTAL
125 BONEY ROAD, BLYTHEWOOD, SC 29016

GRAHAM-HODGE ASSOCIATES INC.

JOB # 20-018

DRAWN BY:	DATE:
RA	04.23.21
CHECKED BY:	DATE:
EW	04.23.21

3.05

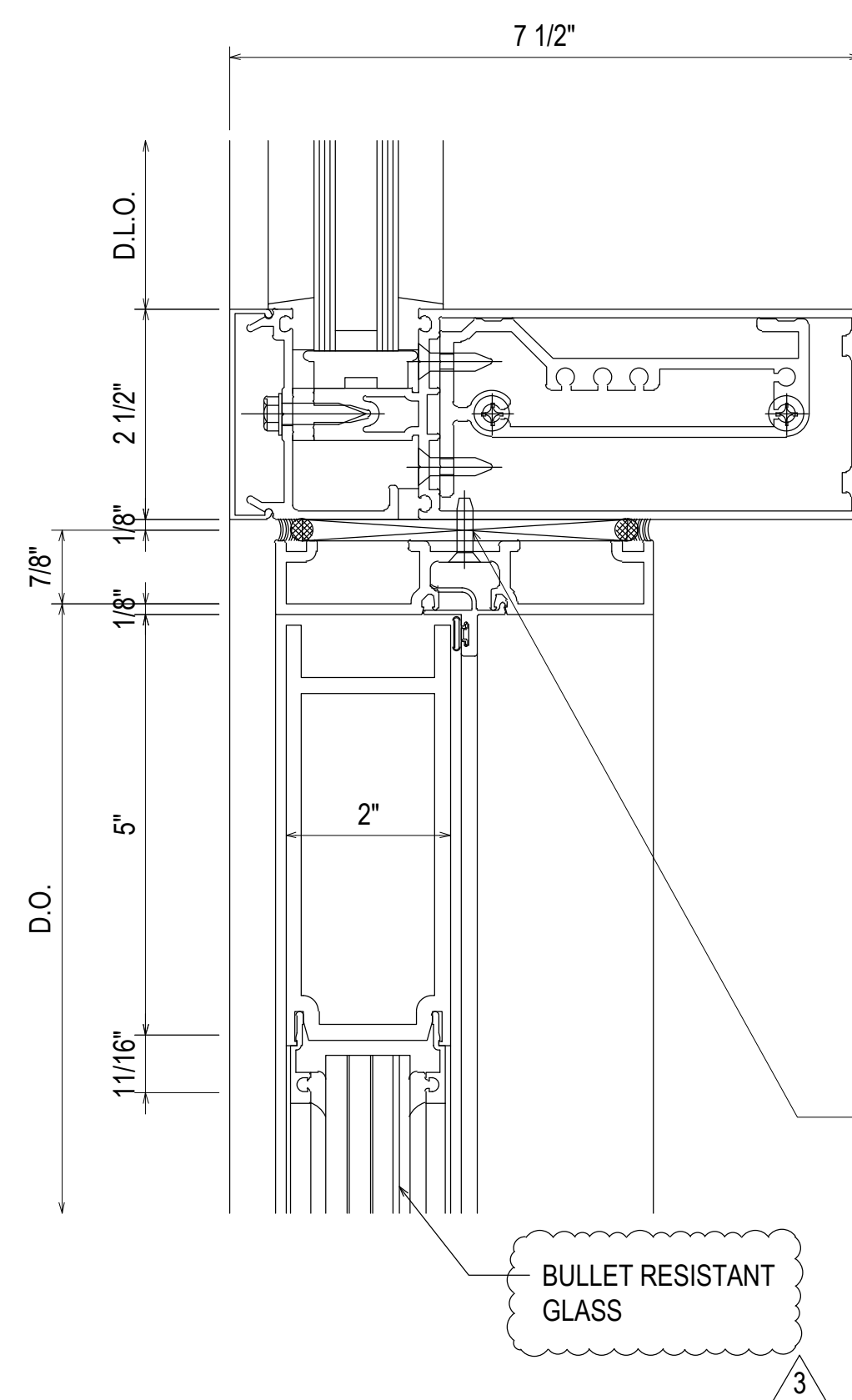


027853 SETTING BLOCK
027850 INTERIOR/EXTERIOR WEATHERING

162378 SHEAR BLOCK
162006 COVER
162335 PRESSURE PLATE
162003 HORIZONTAL

18
3.06
REF: N/A
W109

BULLET RESISTANT GLASS



027853 SETTING BLOCK
027850 INTERIOR/EXTERIOR WEATHERING

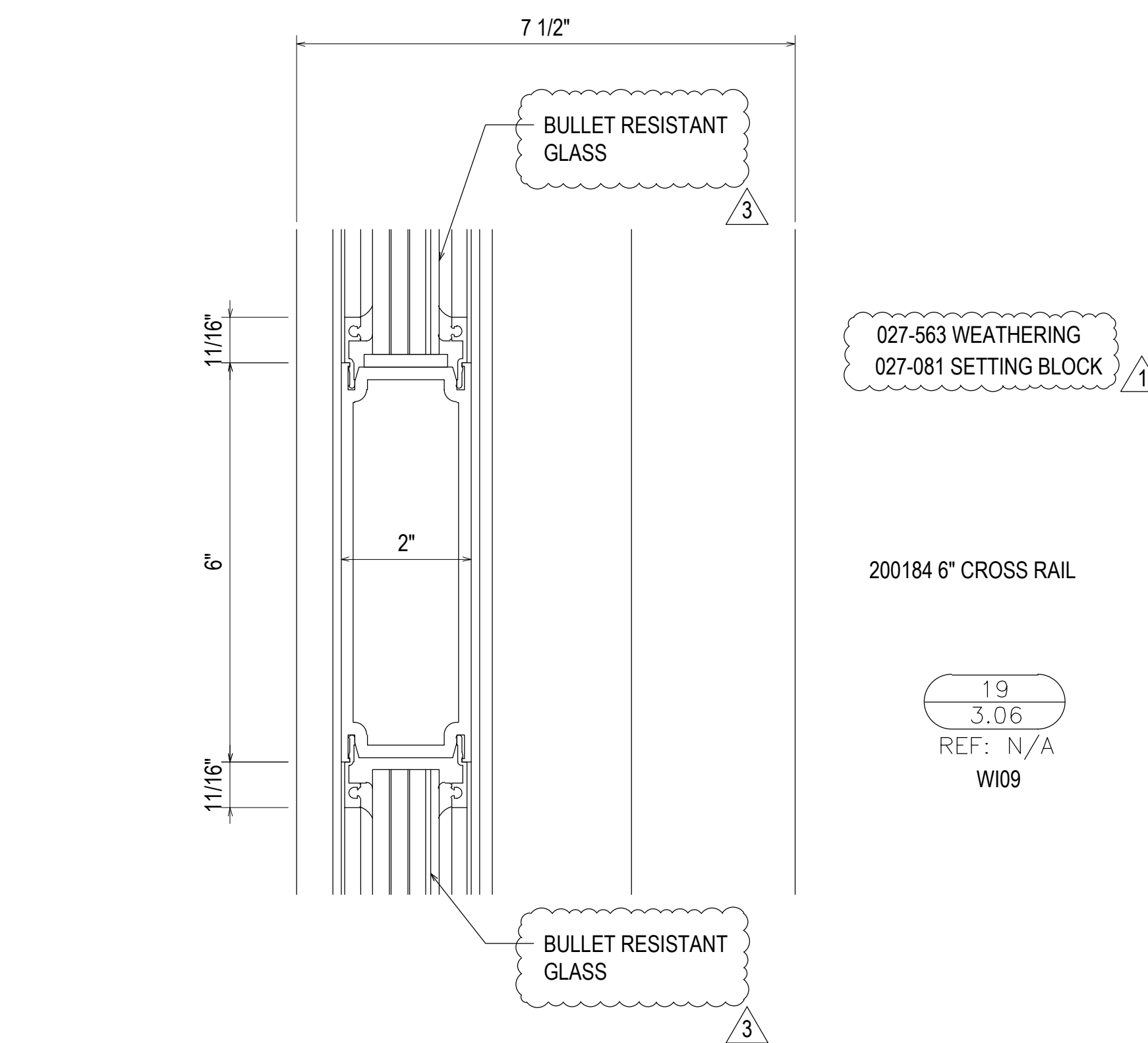
162003 HORIZONTAL
162505 PERIMETER PRESSURE PLATE
162006 COVER
162332 SHEAR BLOCK

163036 DOOR SUBFRAME
400520 DOOR STOP
200180 500 HW TOP RAIL

18A
3.06
REF: N/A
W109

#12-24 GRADE 5 SMS WITH A MINIMUM FULL PENETRATION + 1/2"
MINIMUM 3/8" EDGE DISTANCE
SPACED 3" FROM END AND 24" O.C. THEREAFTER

BULLET RESISTANT GLASS

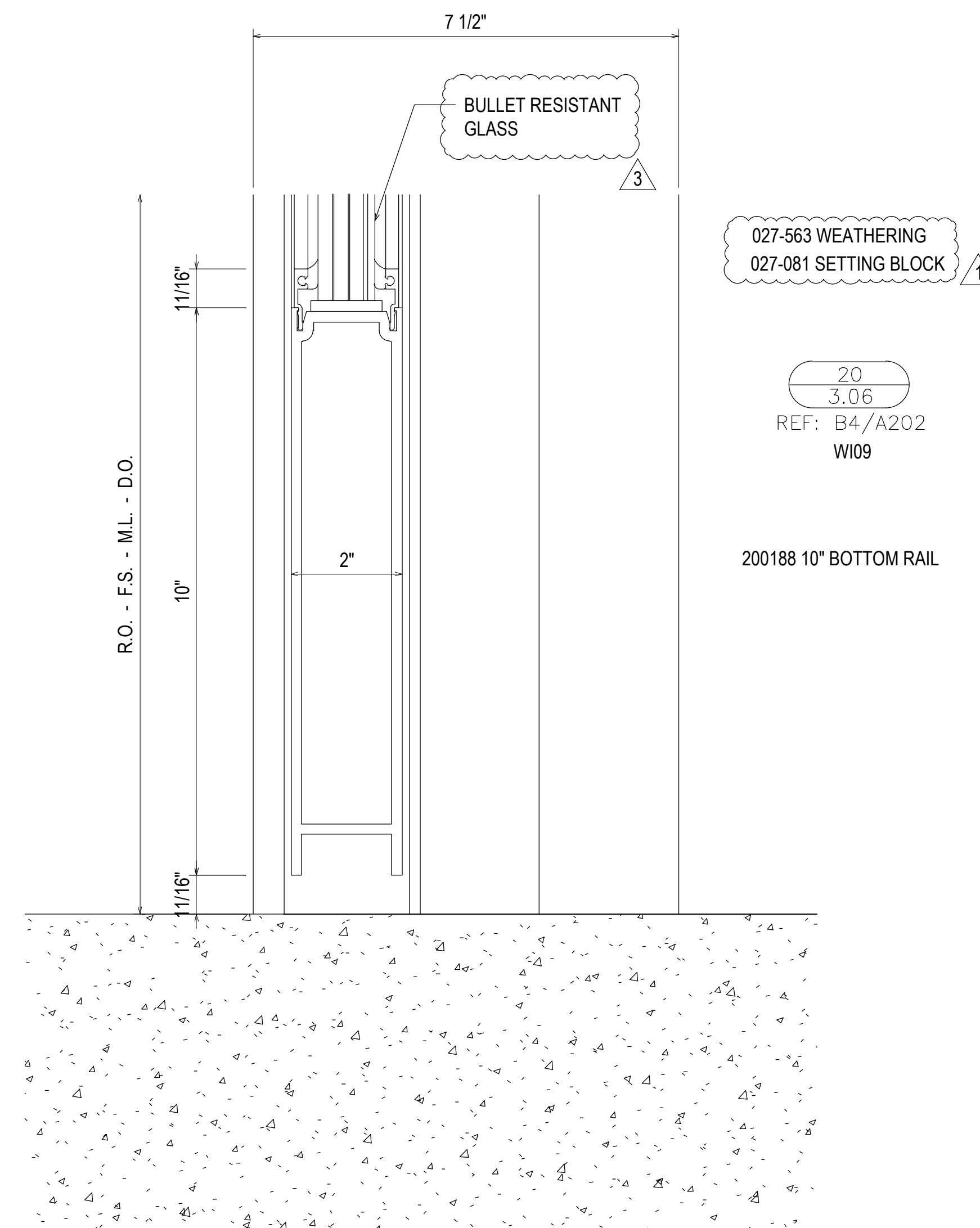


027-563 WEATHERING
027-081 SETTING BLOCK

200184 6" CROSS RAIL

19
3.06
REF: N/A
W109

BULLET RESISTANT GLASS



027-563 WEATHERING
027-081 SETTING BLOCK

20
3.06
REF: B4/A202
W109

200188 10" BOTTOM RAIL

BULLET RESISTANT GLASS

REV.	DESCRIPTION	DATE
1	1ST REVISION (RA)	06.19.21
2	2ND REVISION (ENGINEERING)	06.08.21
3	3RD REVISION (BULLET RESISTANT)	08.03.21
NO	DESCRIPTION	

BETHEL HANBERRY ELEMENTARY SCHOOL
EXTERIOR SUBMITTAL
125 BONEY ROAD, BLYTHEWOOD, SC 29016

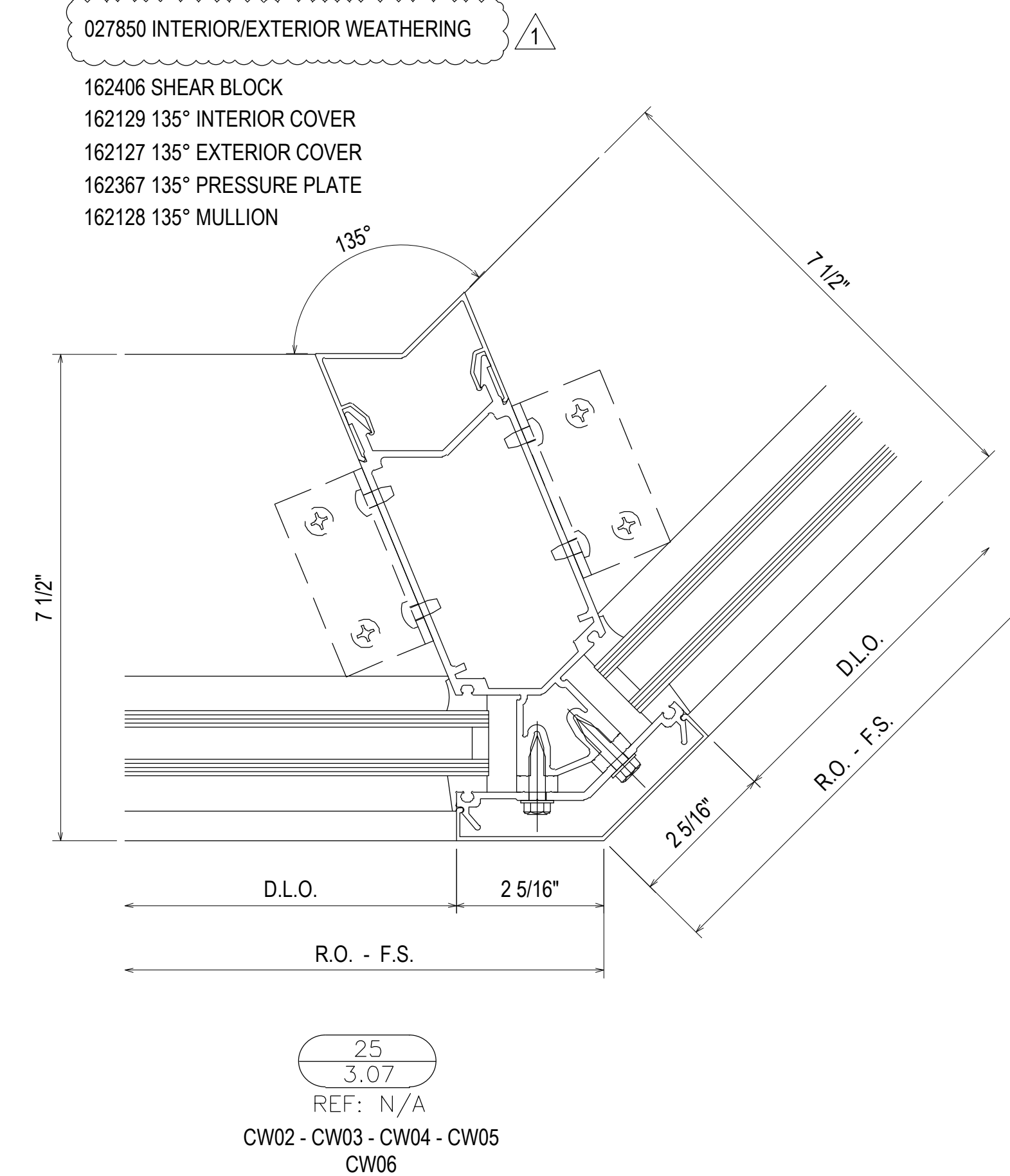
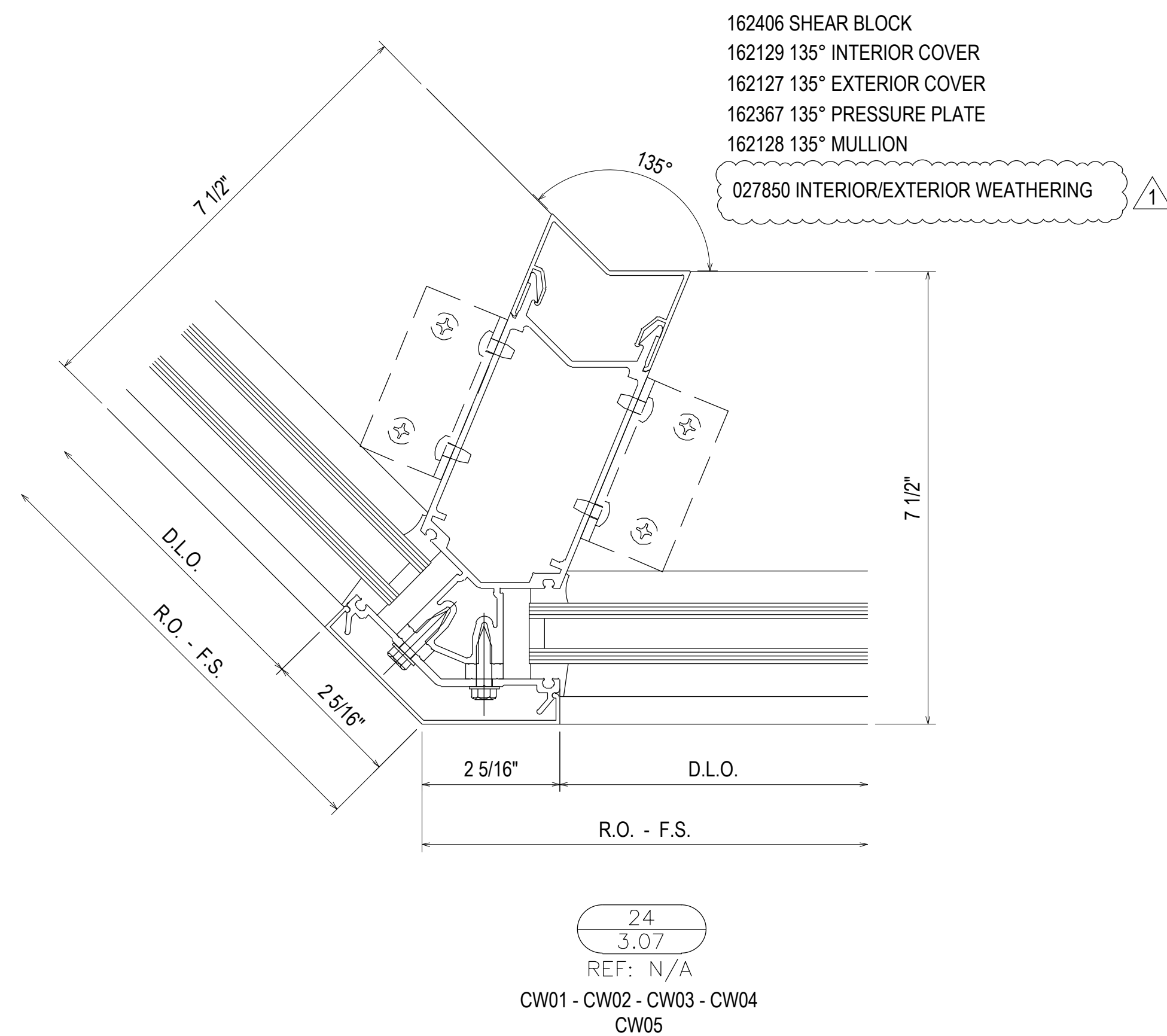
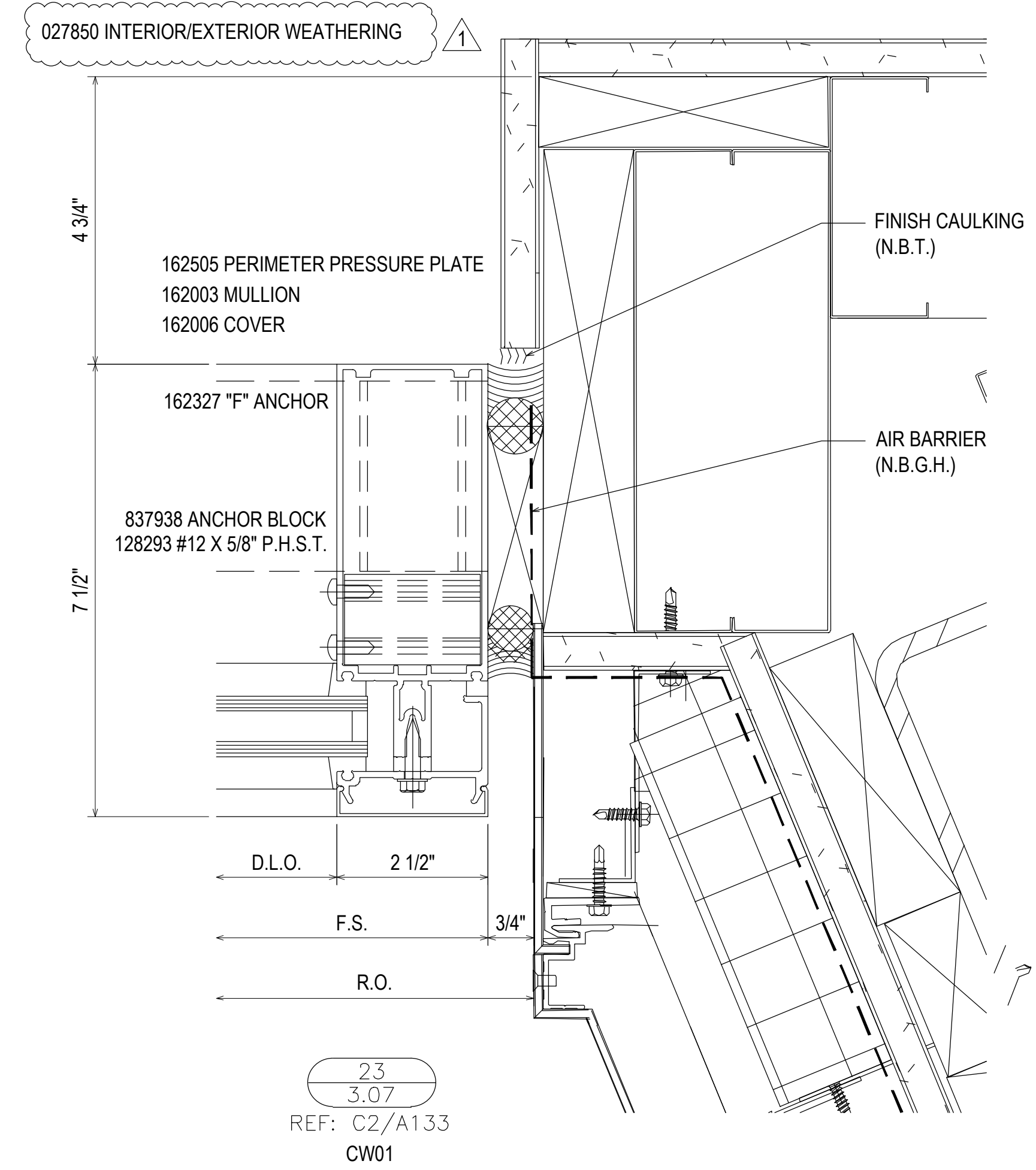
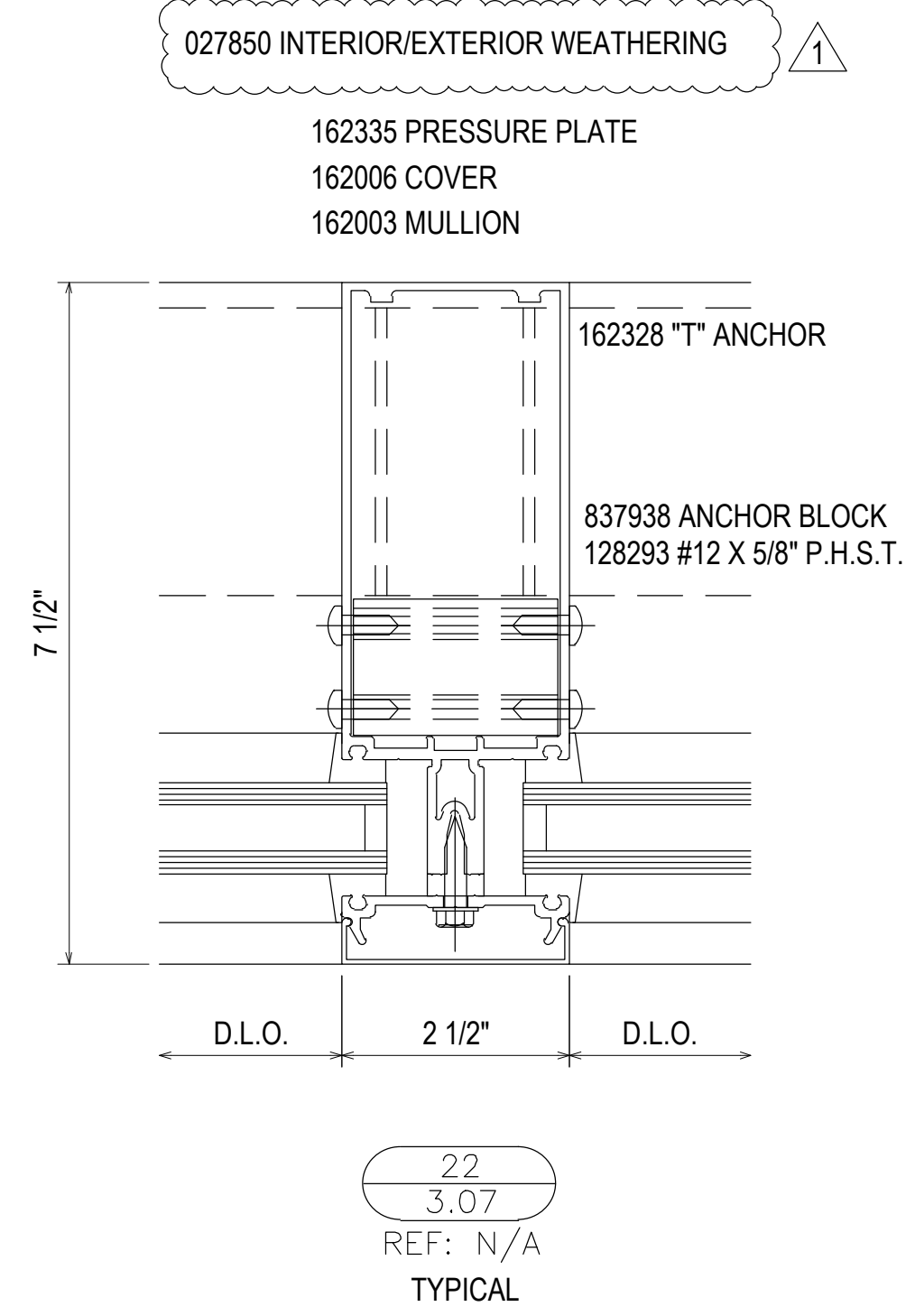
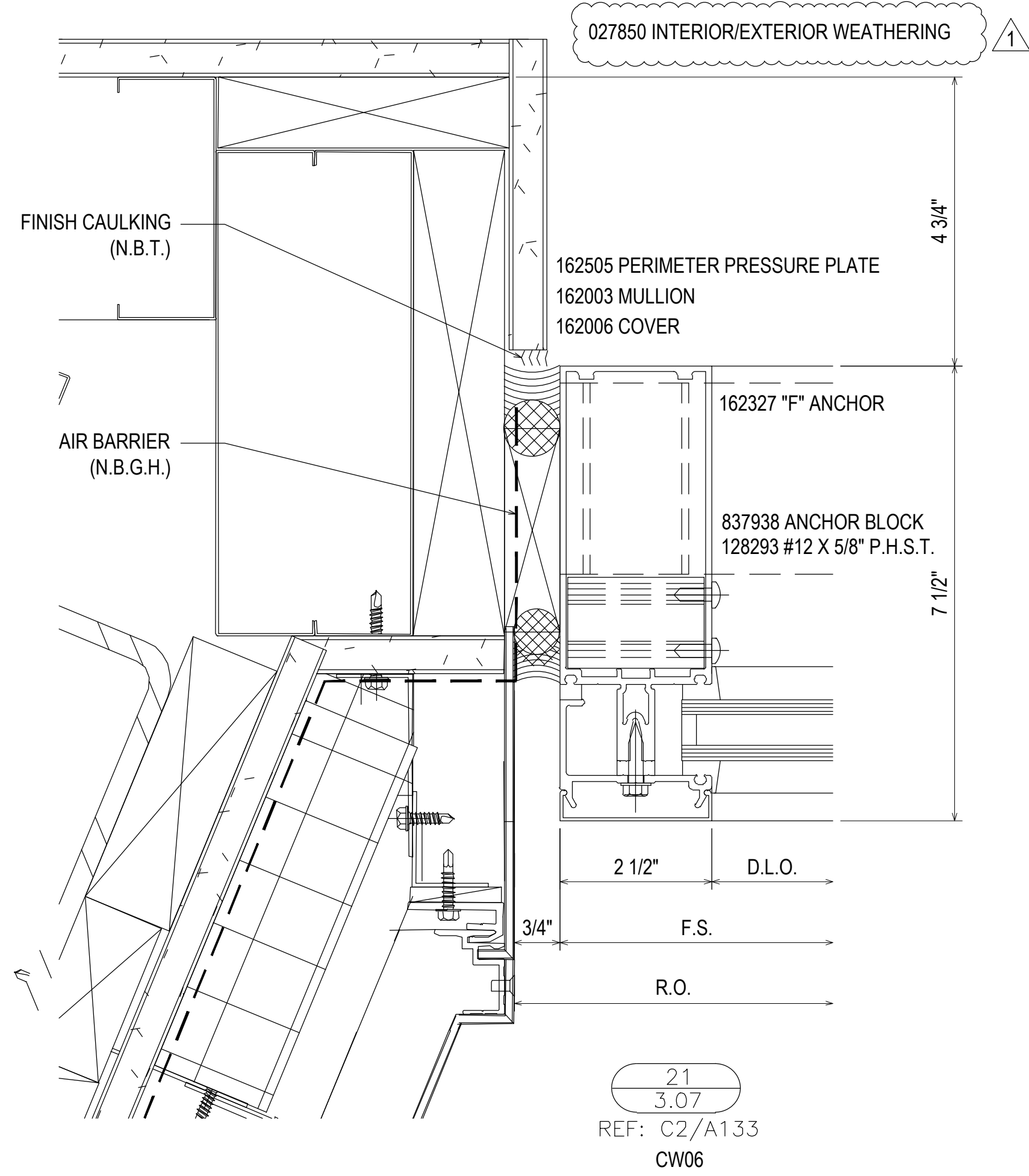
GRAHAM-HODGE ASSOCIATES INC.

JOB #
20-018

DRAWN BY:	DATE:
RA	04.23.21
CHECKED BY:	DATE:
EW	04.23.21

3.06

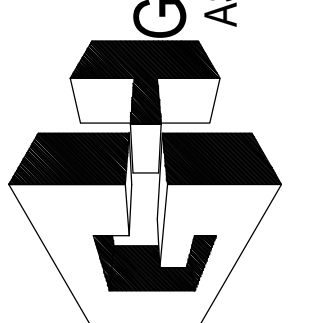
DRAWING SUBMISSION



REV.	DESCRIPTION	DATE
1	1ST REVISION (RA)	06.18.21
2	2ND REVISION (ENGINEERING)	08.03.21
3	3RD REVISION (MULLION RESISTANT)	08.03.21
NO	DESCRIPTION	

BETHEL HANBERRY ELEMENTARY SCHOOL
EXTERIOR SUBMITTAL
 125 BONEY ROAD, BLYTHEWOOD, SC 29016

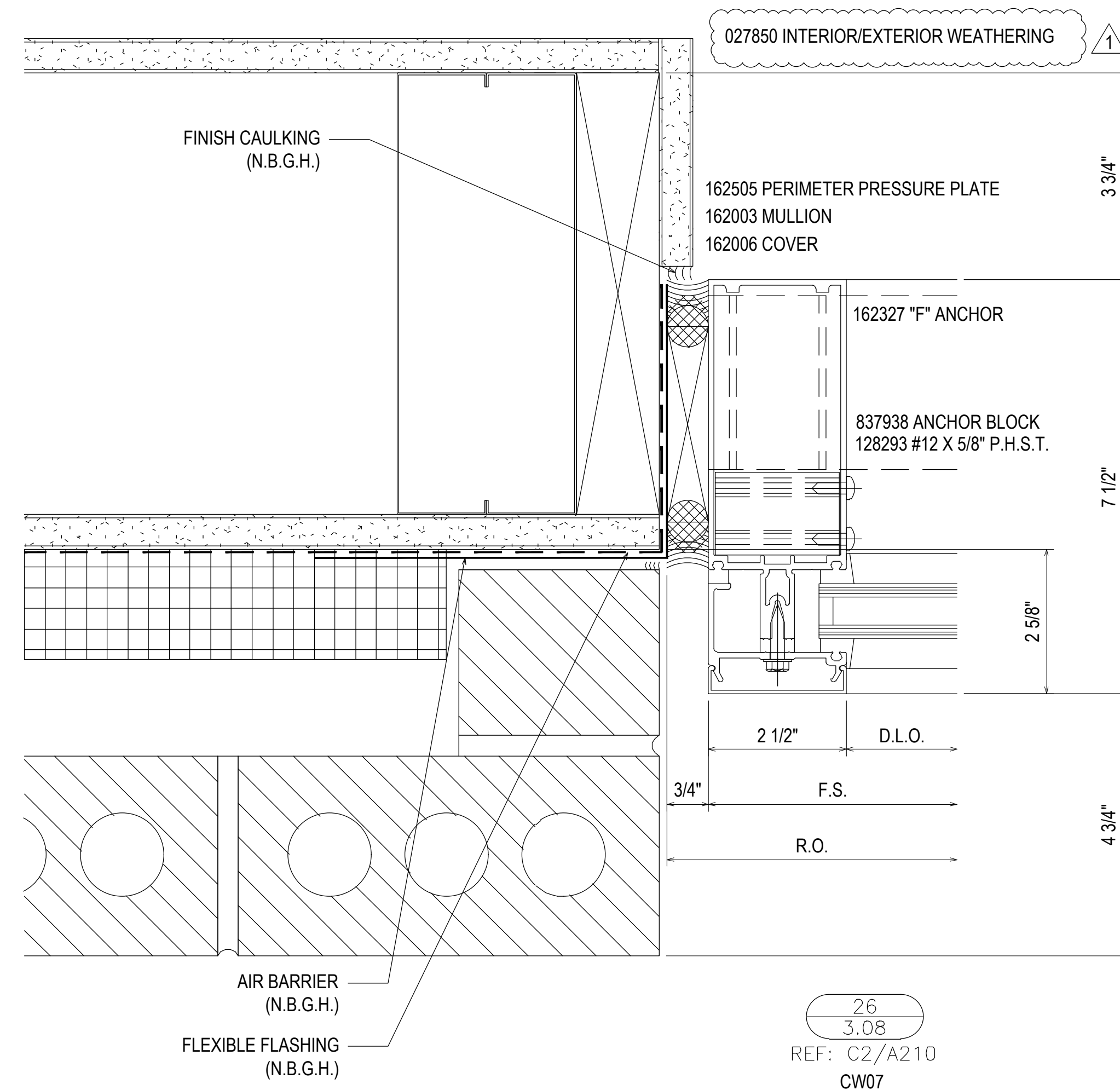
GRAHAM-HODGE ASSOCIATES INC.



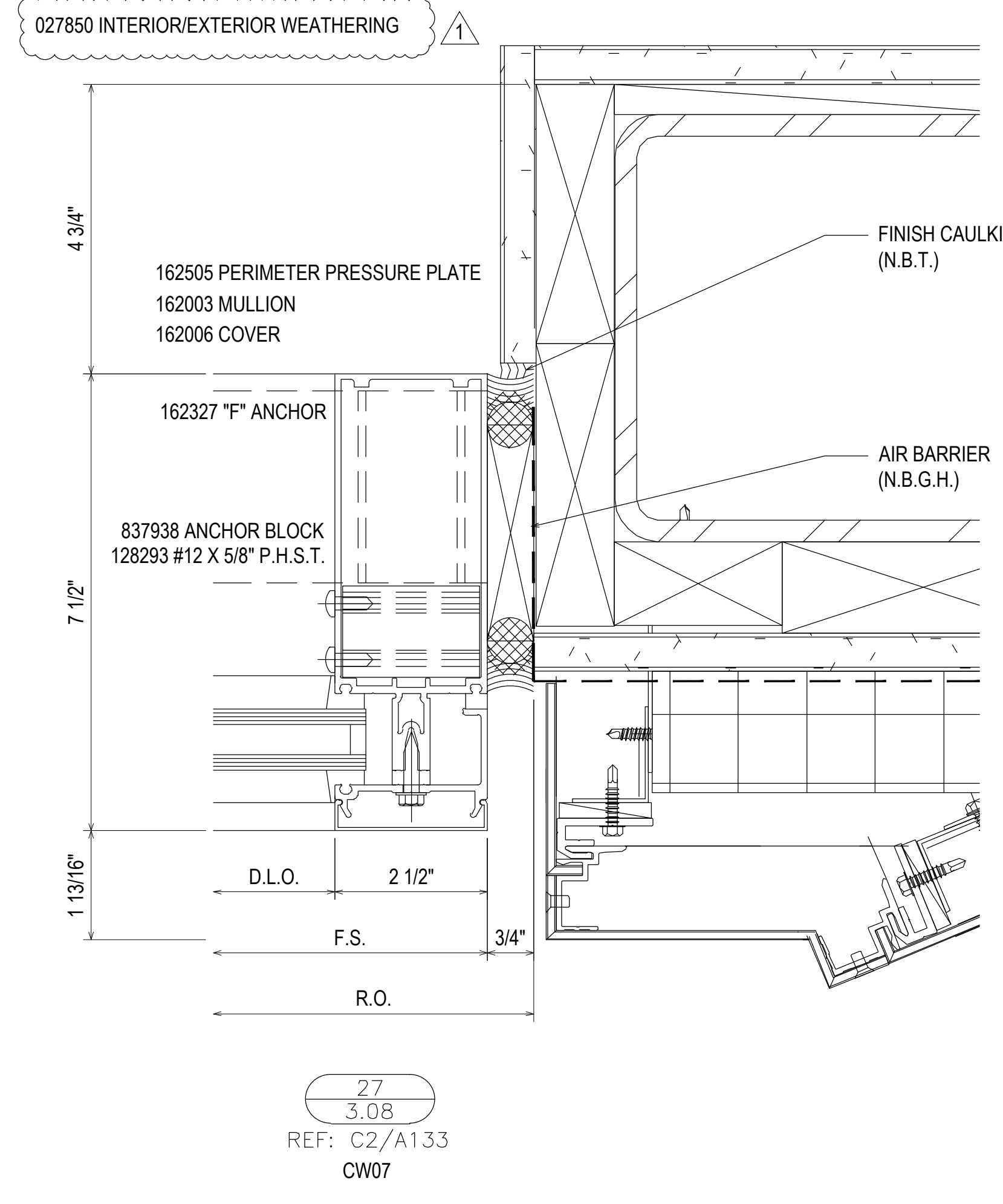
JOB #
20-018

DRAWN BY:	DATE:
RA	04.23.21
CHECKED BY:	DATE:
EW	04.23.21

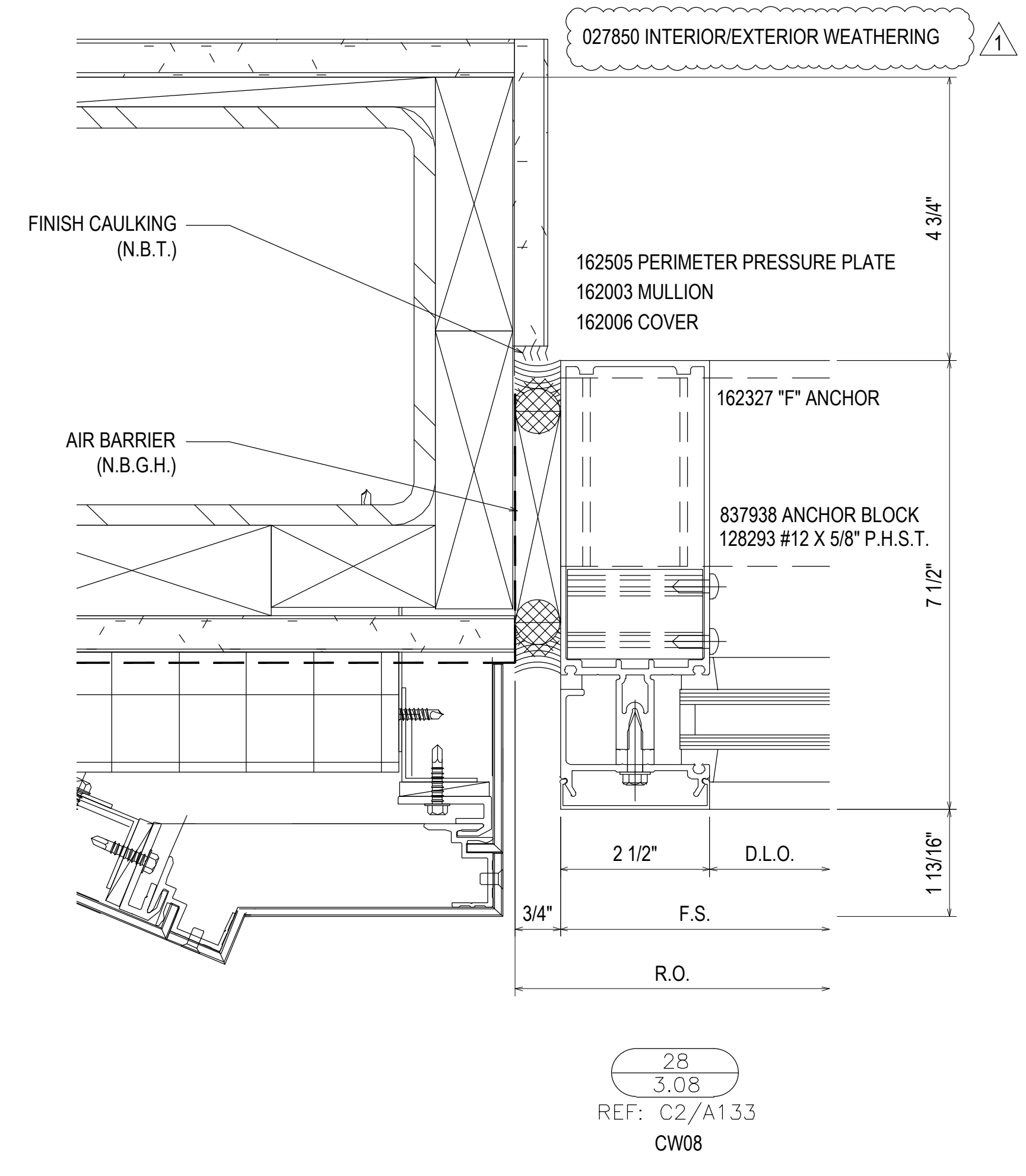
3.07



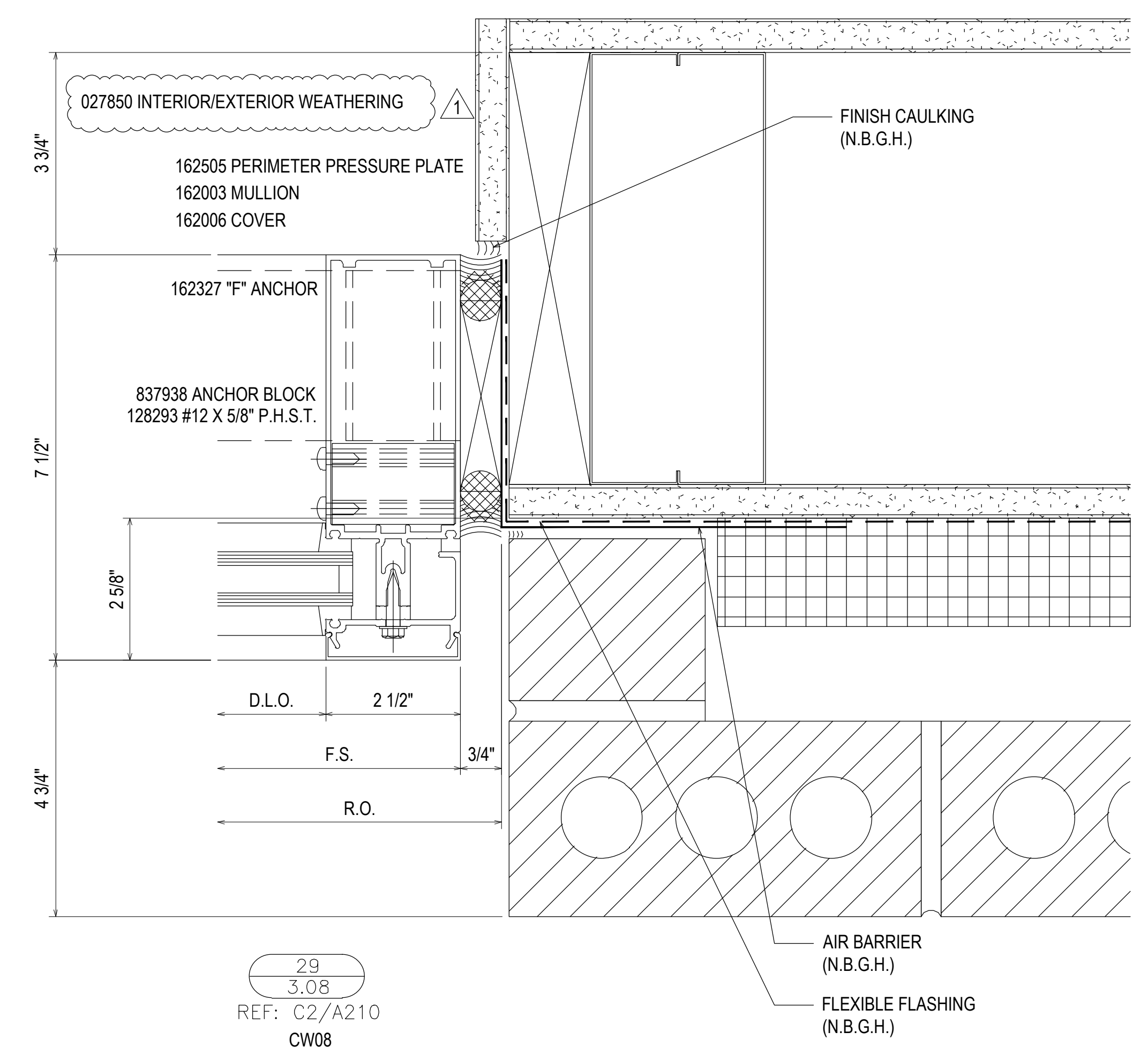
26
3.08
REF: C2/A210
CW07



27
3.08
REF: C2/A133
CW07



28
3.08
REF: C2/A133
CW08



29
3.08
REF: C2/A210
CW08

REV.	DESCRIPTION	DATE
1	1ST REVISION (RA)	06.19.21
2	2ND REVISION (ENGINEERING)	06.08.21
3	3RD REVISION (BULLET RESISTANT)	08.03.21
NO	DESCRIPTION	

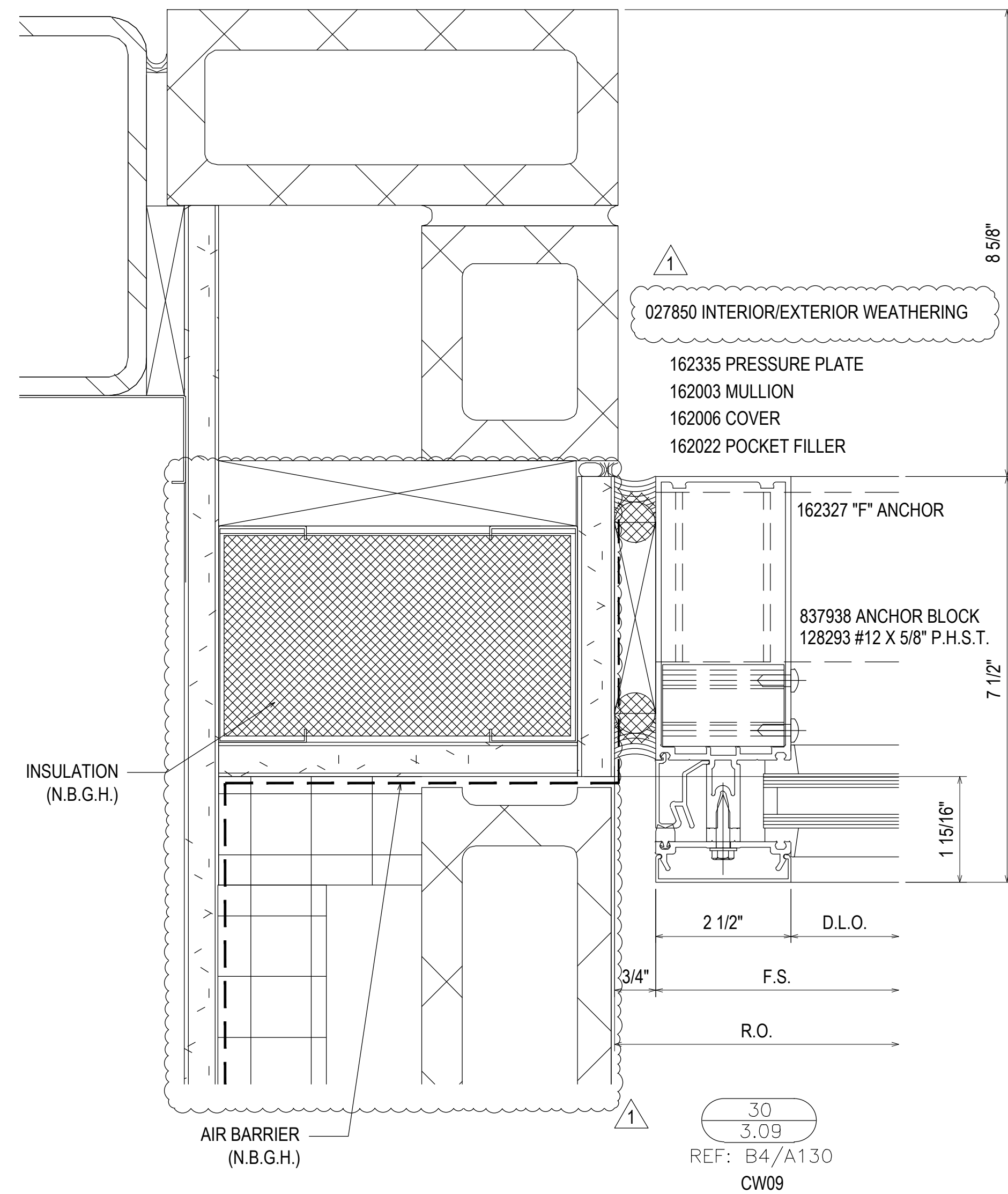
BETHEL HANBERRY ELEMENTARY SCHOOL
EXTERIOR SUBMITTAL
 125 BONEY ROAD, BLYTHEWOOD, SC 29016

GRAHAM-HODGE ASSOCIATES INC.

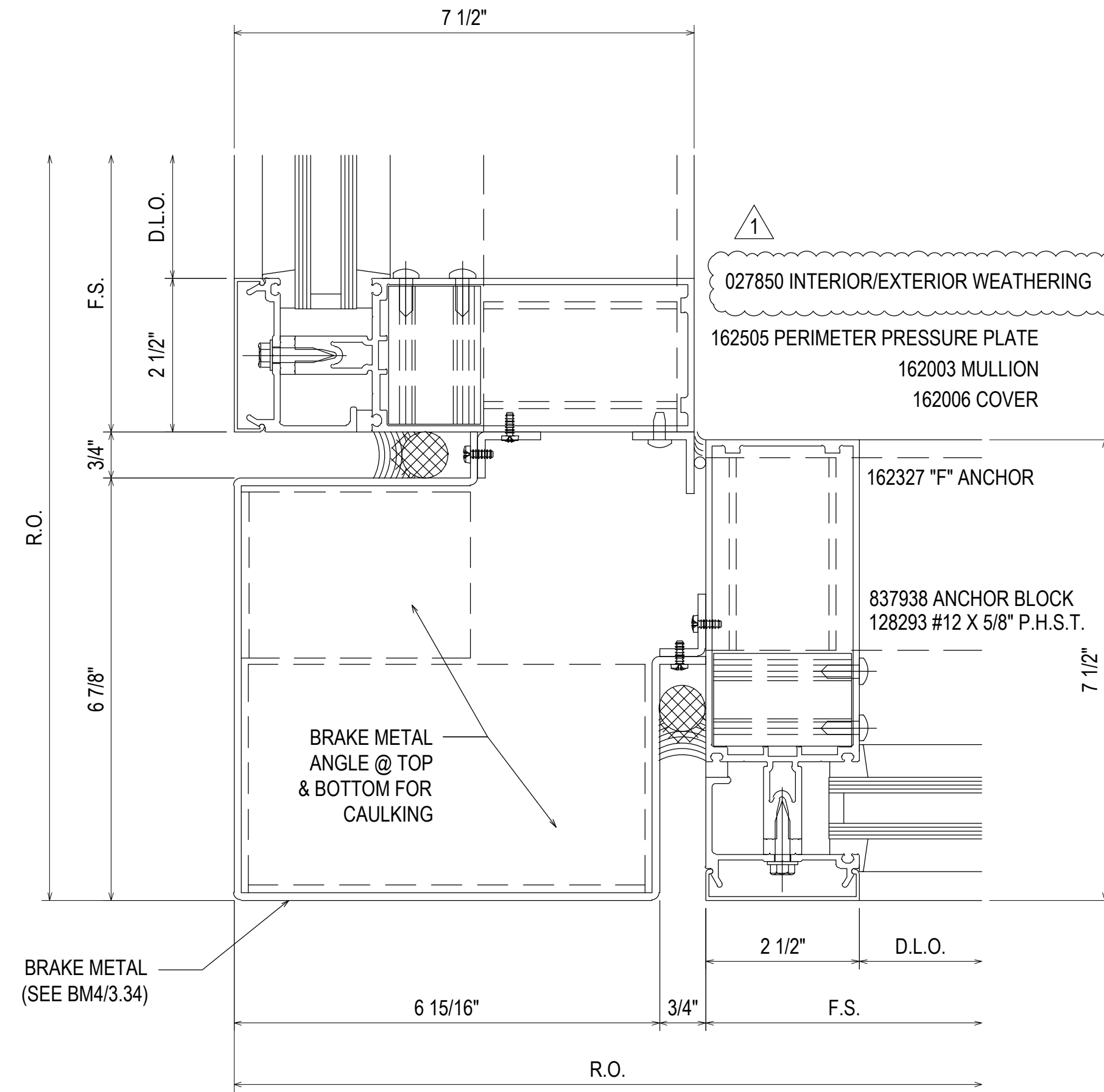
JOB #
20-018

DRAWN BY:	DATE:
RA	04.23.21
CHECKED BY:	DATE:
EW	04.23.21

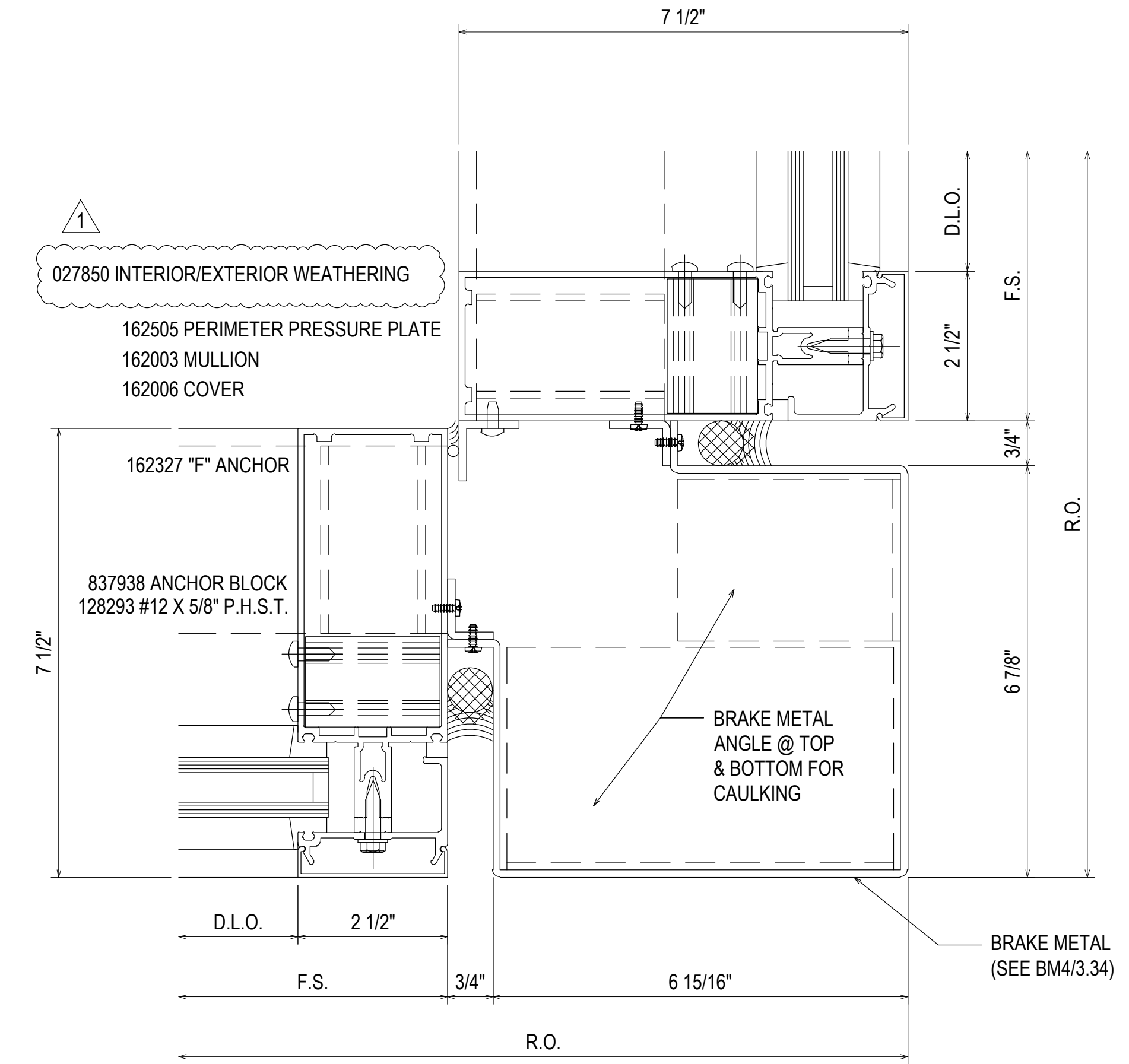
3.08



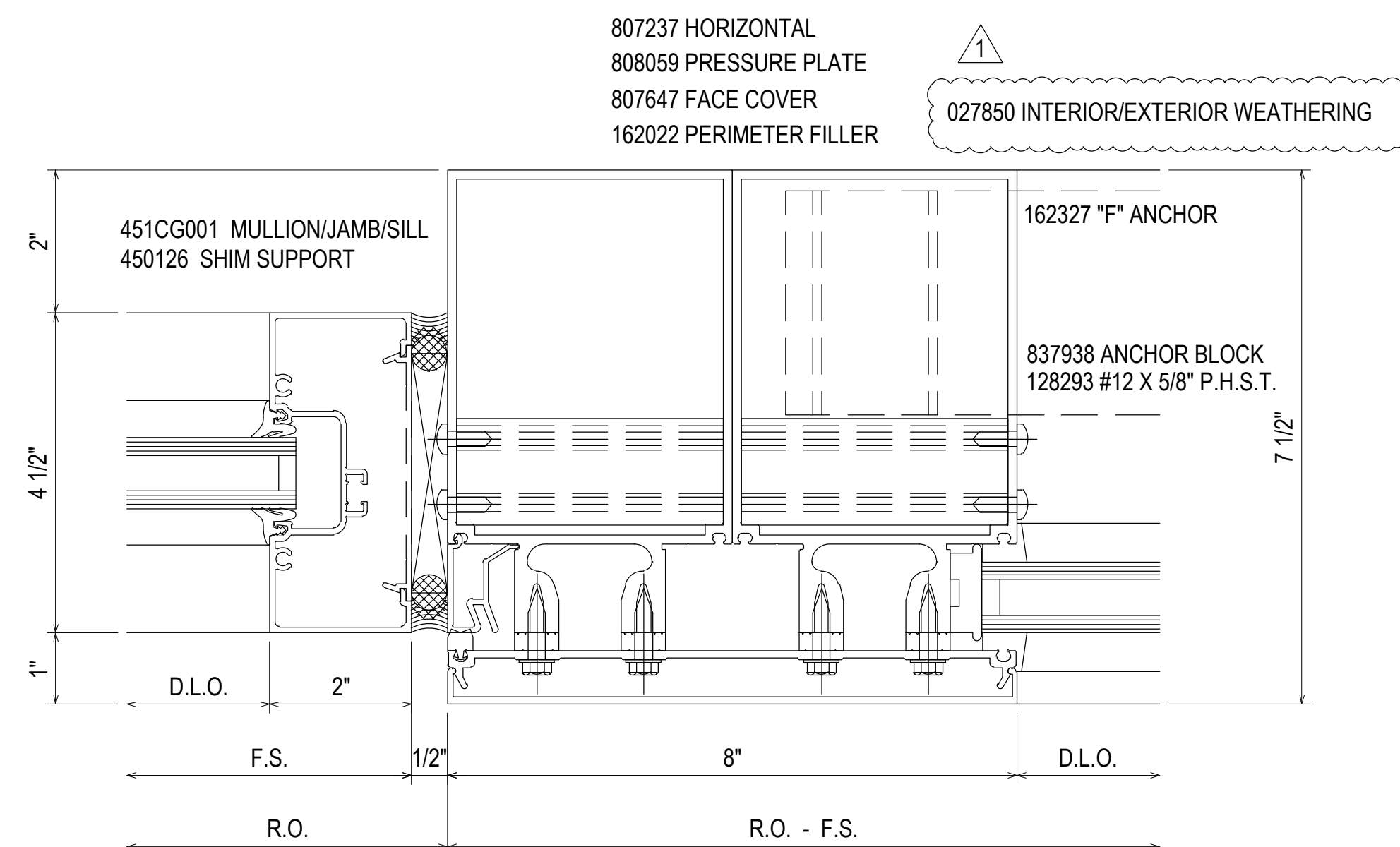
30
3.09
REF: B4/A130
CW09



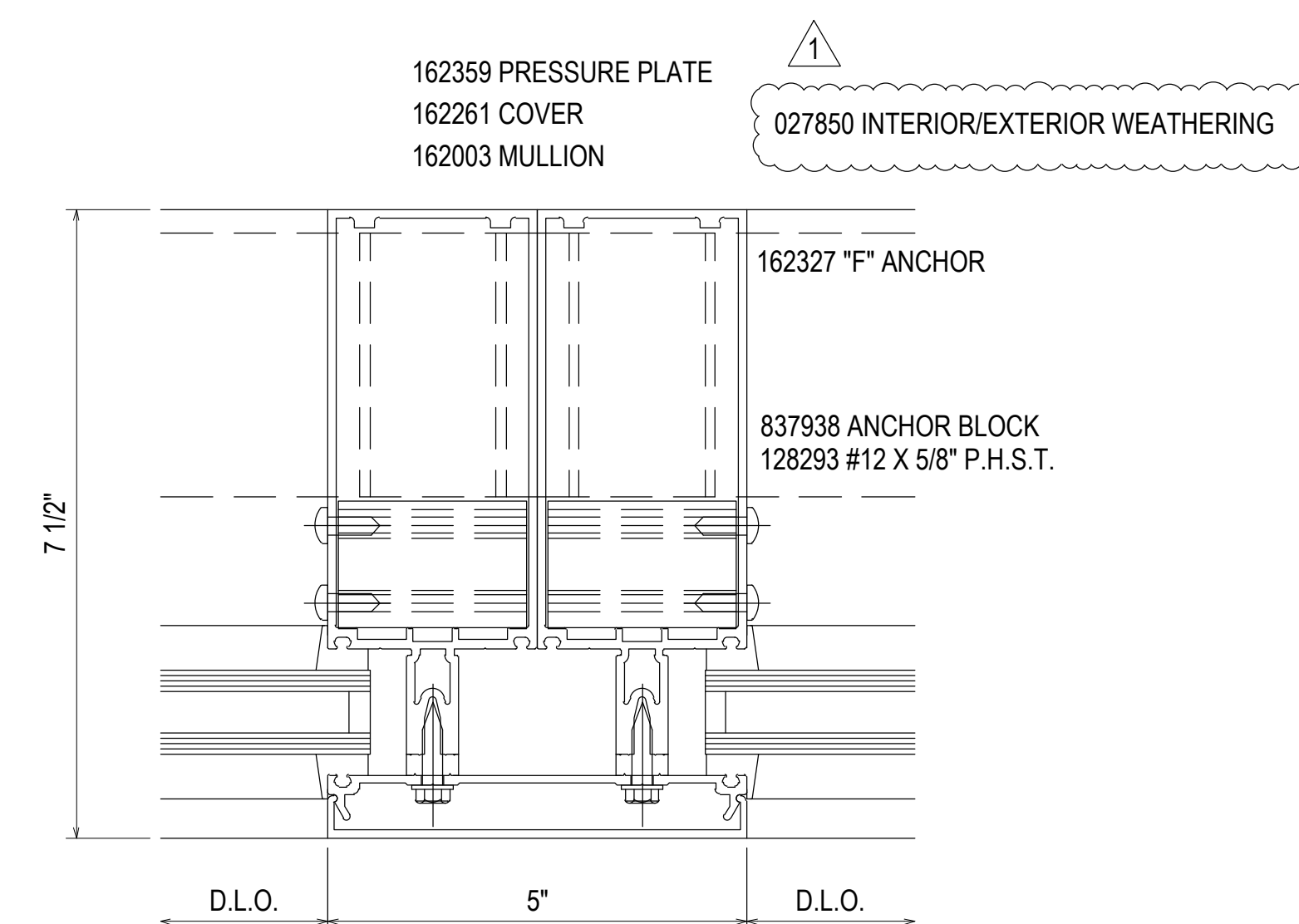
31
3.09
REF: N/A
CW10 - CW11 - CW15OPP - CW16



32
3.09
REF: N/A
CW09 - CW10 - CW15 - CW16OPP



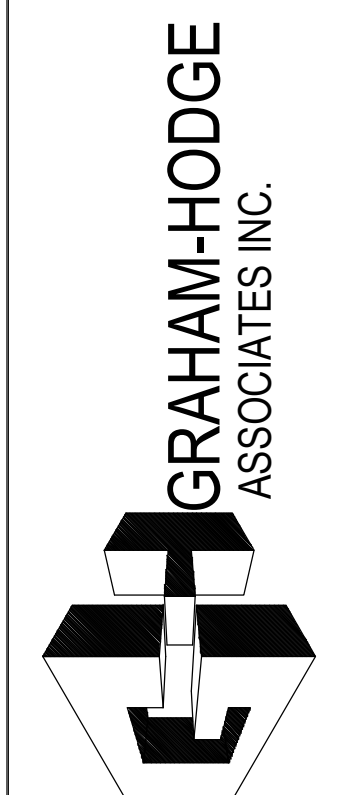
33
3.09
REF: N/A
CW09 - SF07



34
3.09
REF: N/A
CW10 - CW13 - W109

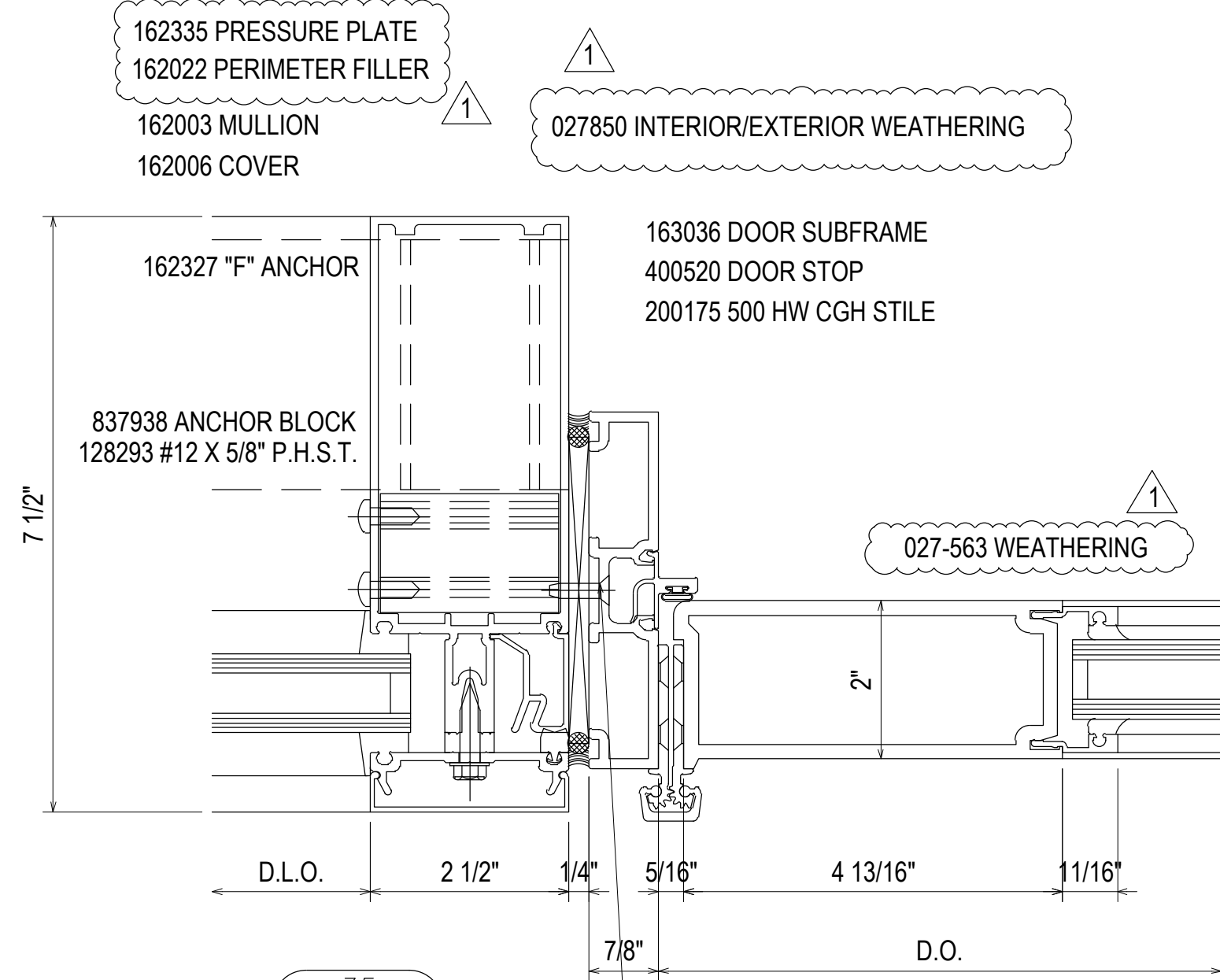
REV.	DESCRIPTION	DATE
1	1ST REVISION (RA)	06.19.21
2	2ND REVISION (ENGINEERING)	06.08.21
3	3RD REVISION (MULLION RESISTANT)	08.03.21
NO	DESCRIPTION	

BETHEL HANBERRY ELEMENTARY SCHOOL
EXTERIOR SUBMITTAL
 125 BONEY ROAD, BLYTHEWOOD, SC 29016



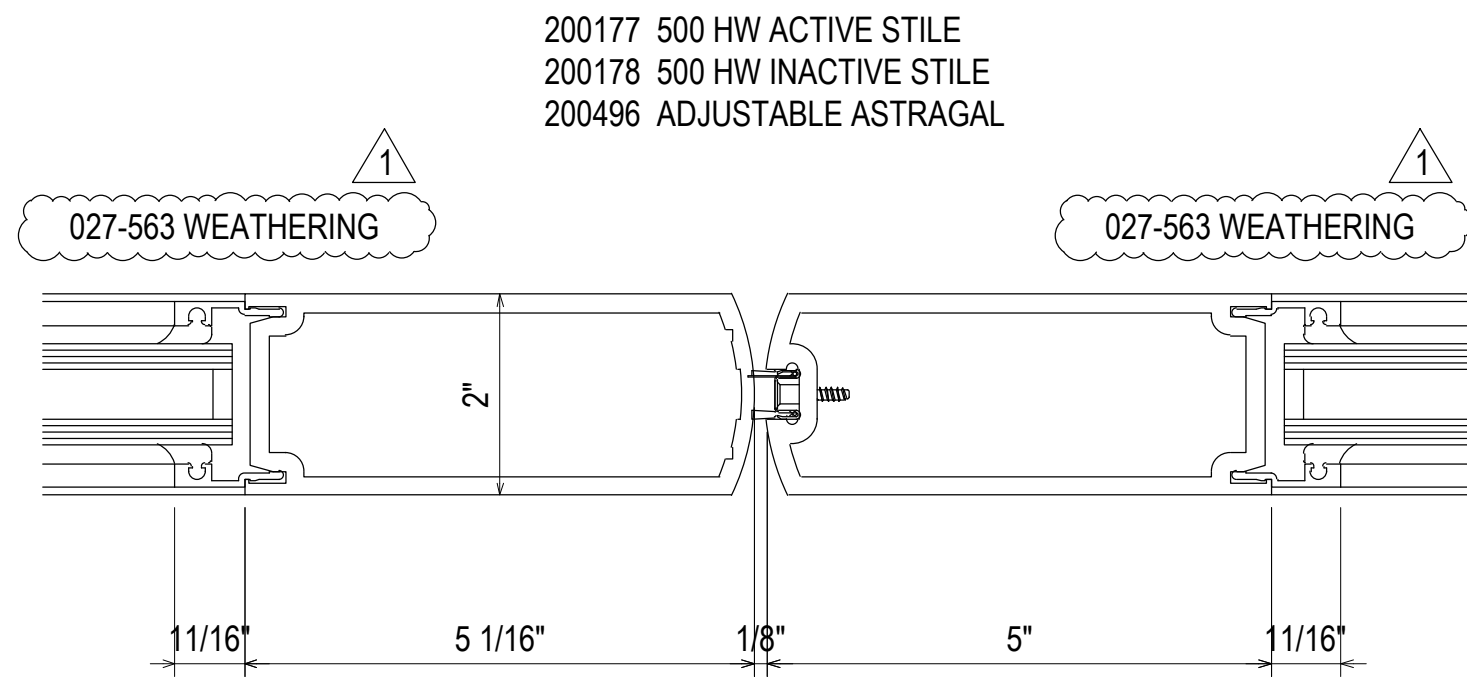
JOB #
20-018

DRAWN BY:	DATE:
RA	04.23.21
CHECKED BY:	DATE:
EW	04.23.21

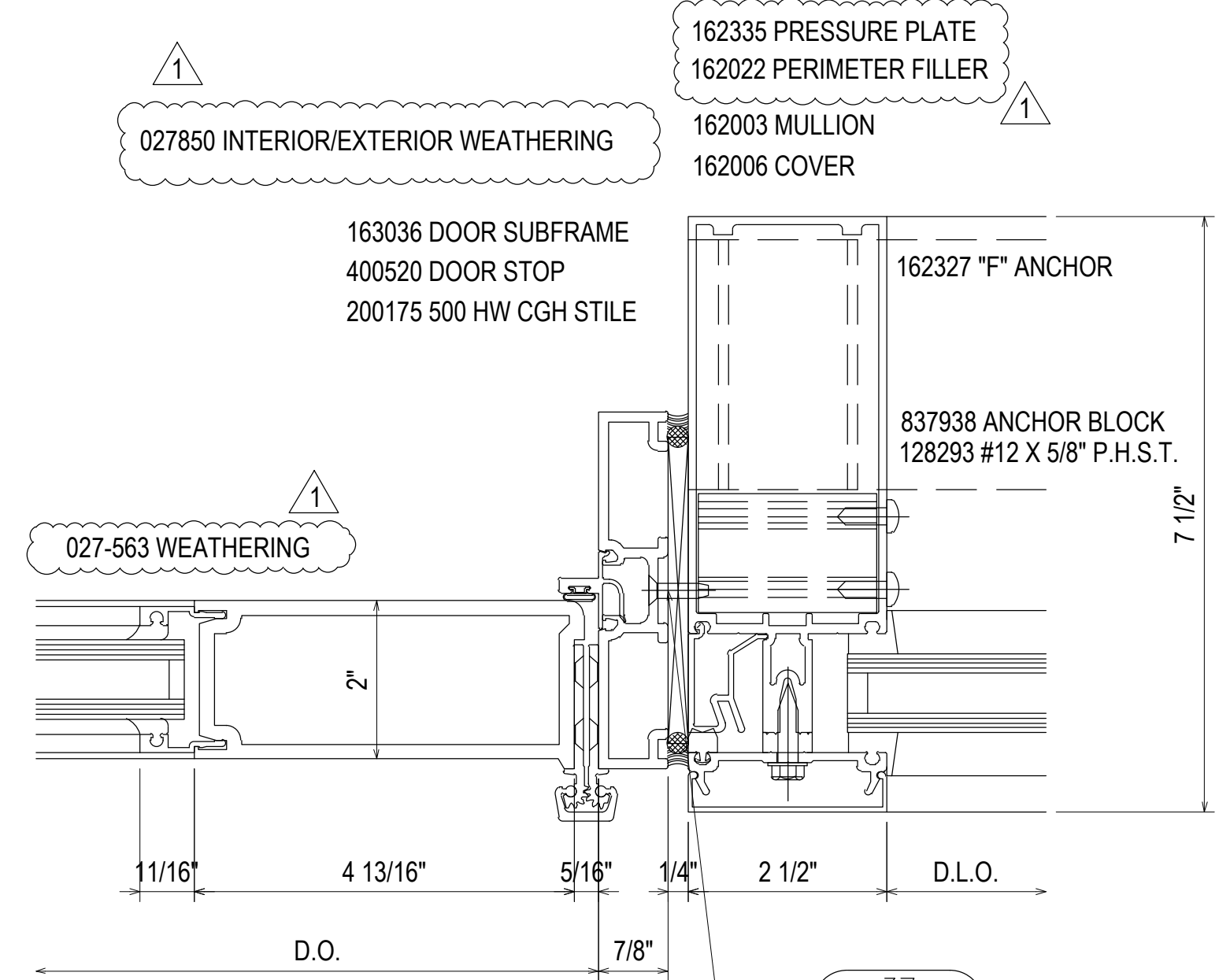


35
3.10
REF: N/A
CW10 - CW12 - CW14 - CW15OPP

#12-24 GRADE 5 SMS WITH A MINIMUM FULL PENETRATION + 1/2\"/>

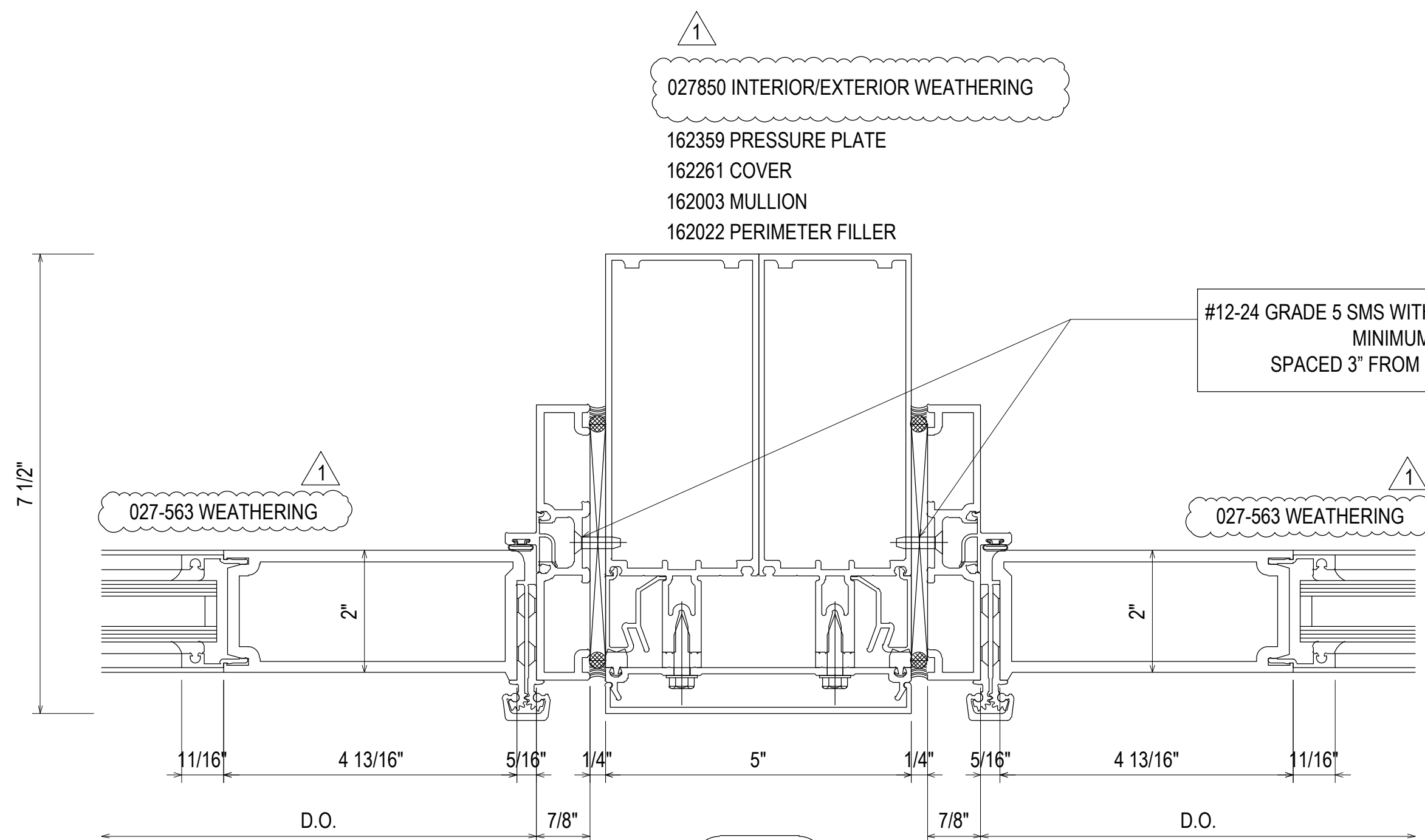


36
3.10
REF: N/A
CW10 - CW12 - CW14 - CW15
CW15OPP - SF10-SF31

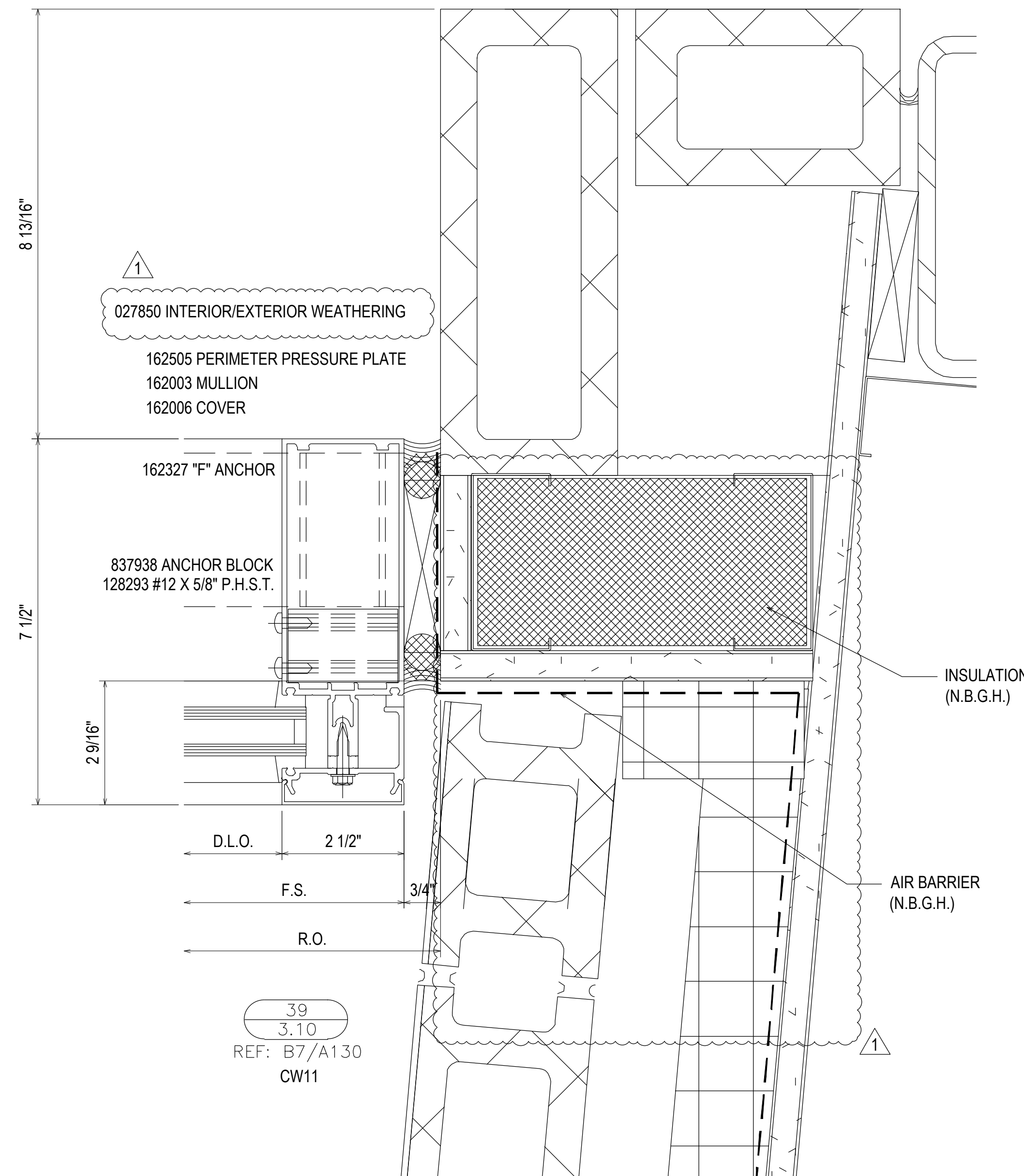


37
3.10
REF: N/A
CW10 - CW15

#12-24 GRADE 5 SMS WITH A MINIMUM FULL PENETRATION + 1/2\"/>



38
3.10
REF: N/A
CW10 - W109



39
3.10
REF: B7/A130
CW11

REV	DESCRIPTION	DATE
1	1ST REVISION (RA)	06.19.21
2	2ND REVISION (ENGINEERING)	06.03.21
3	3RD REVISION (BULLET RESISTANT)	08.03.21
NO	DESCRIPTION	

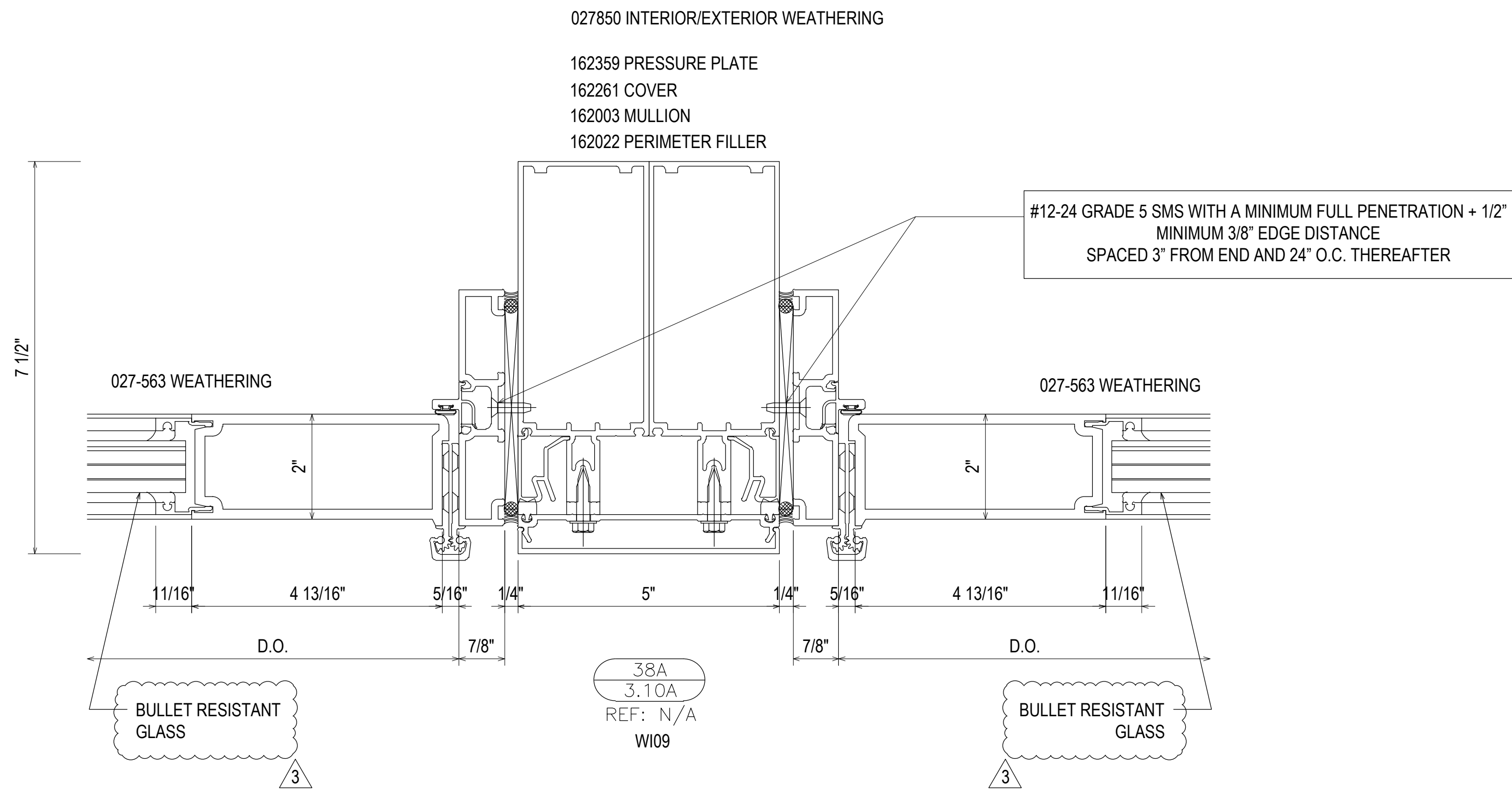
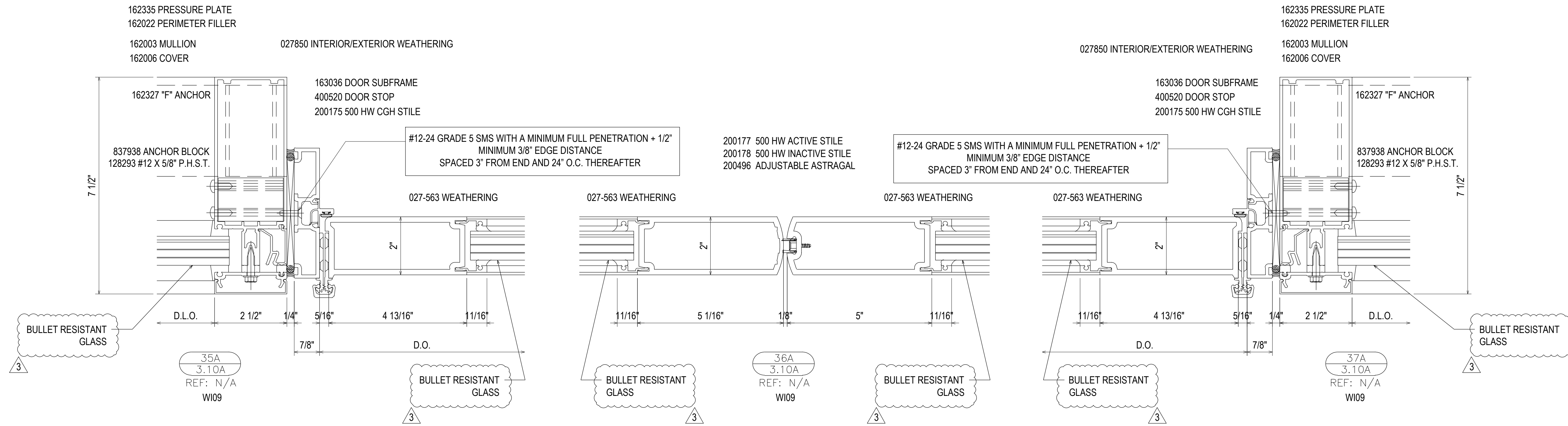
BETHEL HANBERRY ELEMENTARY SCHOOL
EXTERIOR SUBMITTAL
125 BONEY ROAD, BLYTHEWOOD, SC 29016

GRAHAM-HODGE ASSOCIATES INC.

JOB #
20-018

DRAWN BY:	DATE:
RA	04.23.21
CHECKED BY:	DATE:
EW	04.23.21

3.10



REV	DESCRIPTION	DATE
1	1ST REVISION (RA)	06.19.21
2	2ND REVISION (ENGINEERING)	06.08.21
3	3RD REVISION (BULLET RESISTANT)	08.03.21

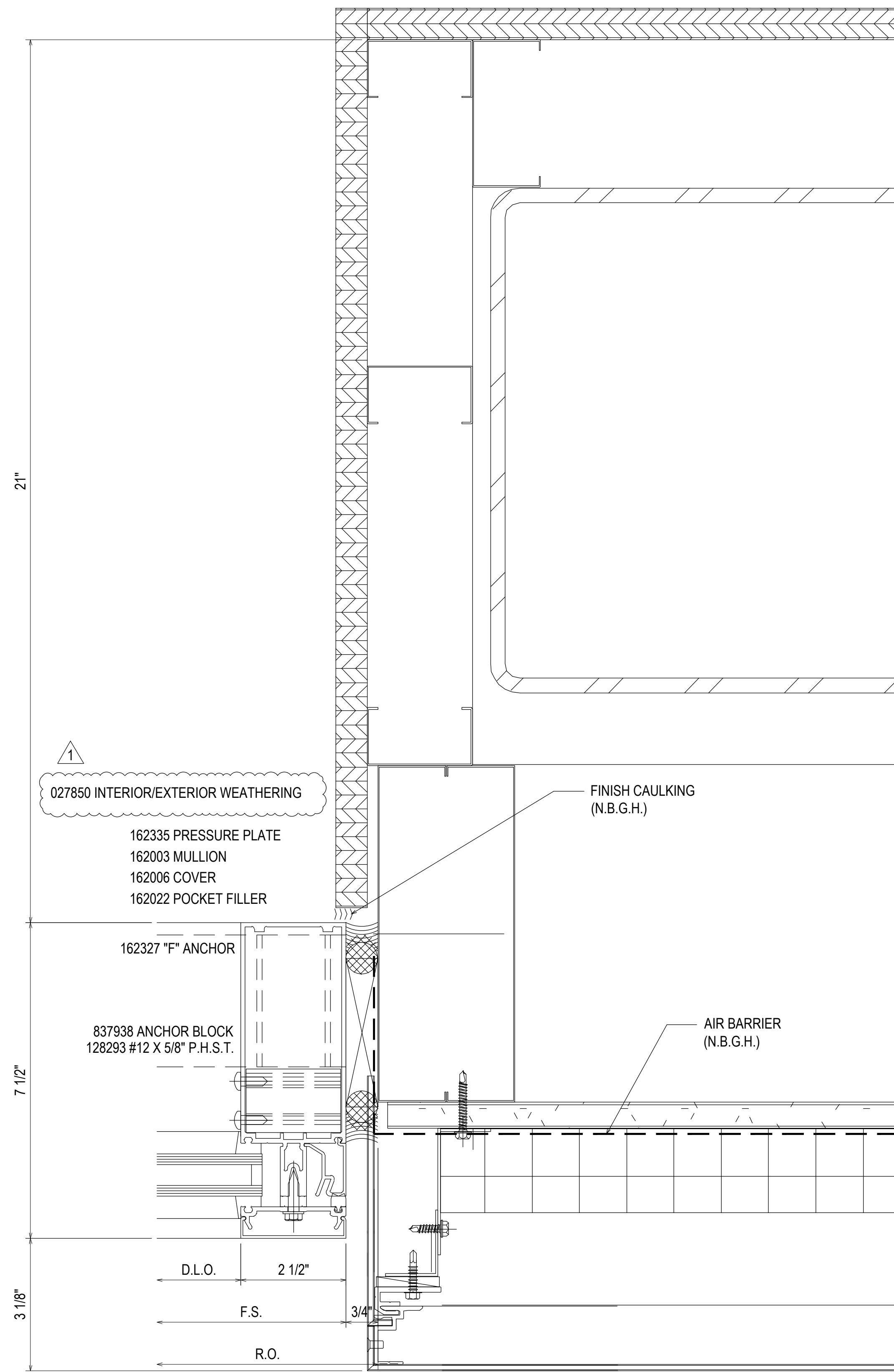
BETHEL HANBERRY ELEMENTARY SCHOOL
 EXTERIOR SUBMITTAL
 125 BONEY ROAD, BLYTHEWOOD, SC 29016



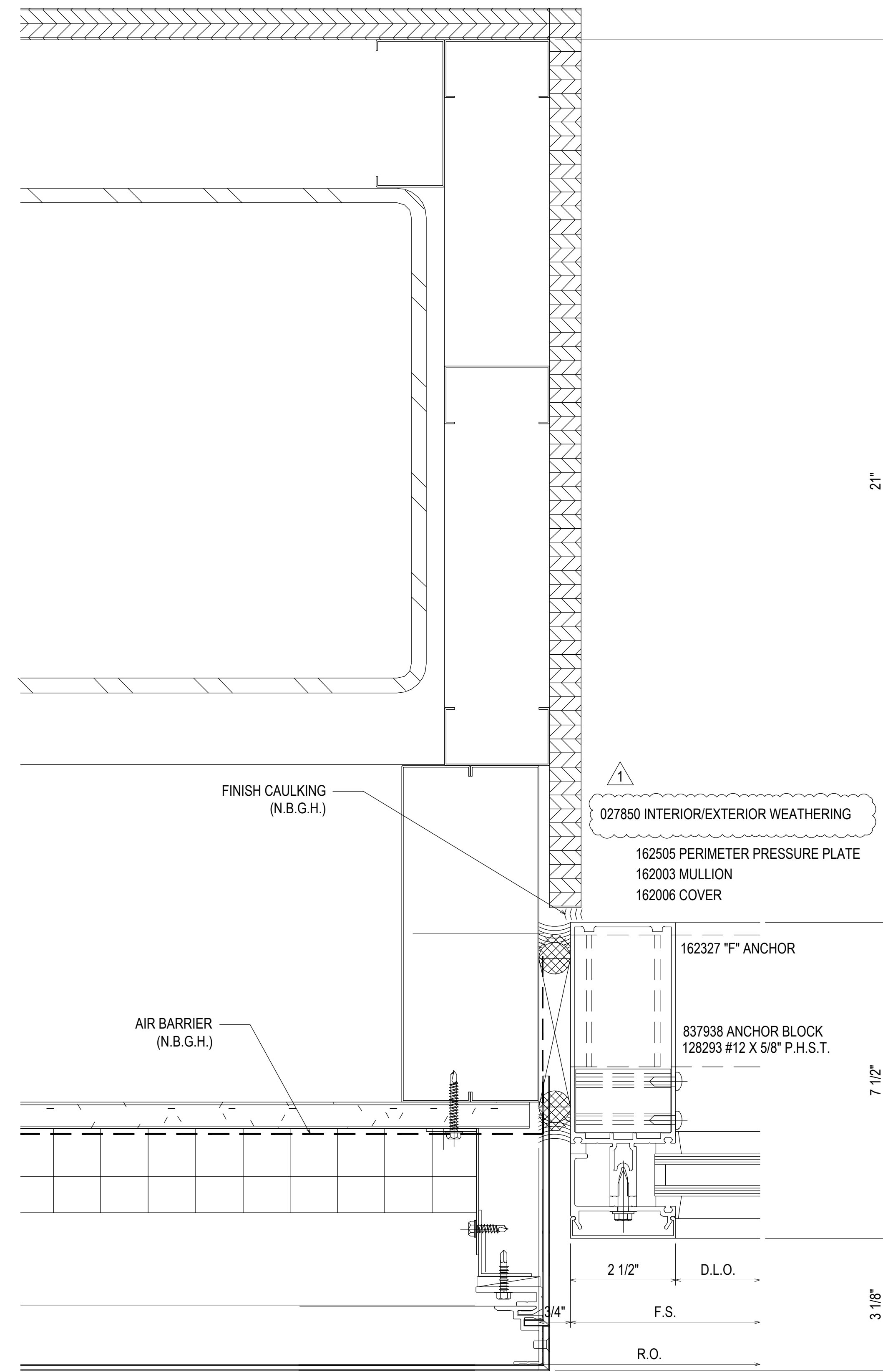
JOB #
20-018

DRAWN BY:	DATE:
RA	04.23.21
CHECKED BY:	DATE:
EW	04.23.21

3.10A



40
3.11
REF: A6/A133
CW12 - CW13 - CW14



41
3.11
REF: A6/A133
CW12 - CW13 - CW14

REV.	DESCRIPTION	DATE
1	1ST REVISION (RA)	06.19.21
2	2ND REVISION (ENGINEERING)	06.08.21
3	3RD REVISION (WULF RESISTANT)	08.03.21
NO	DESCRIPTION	

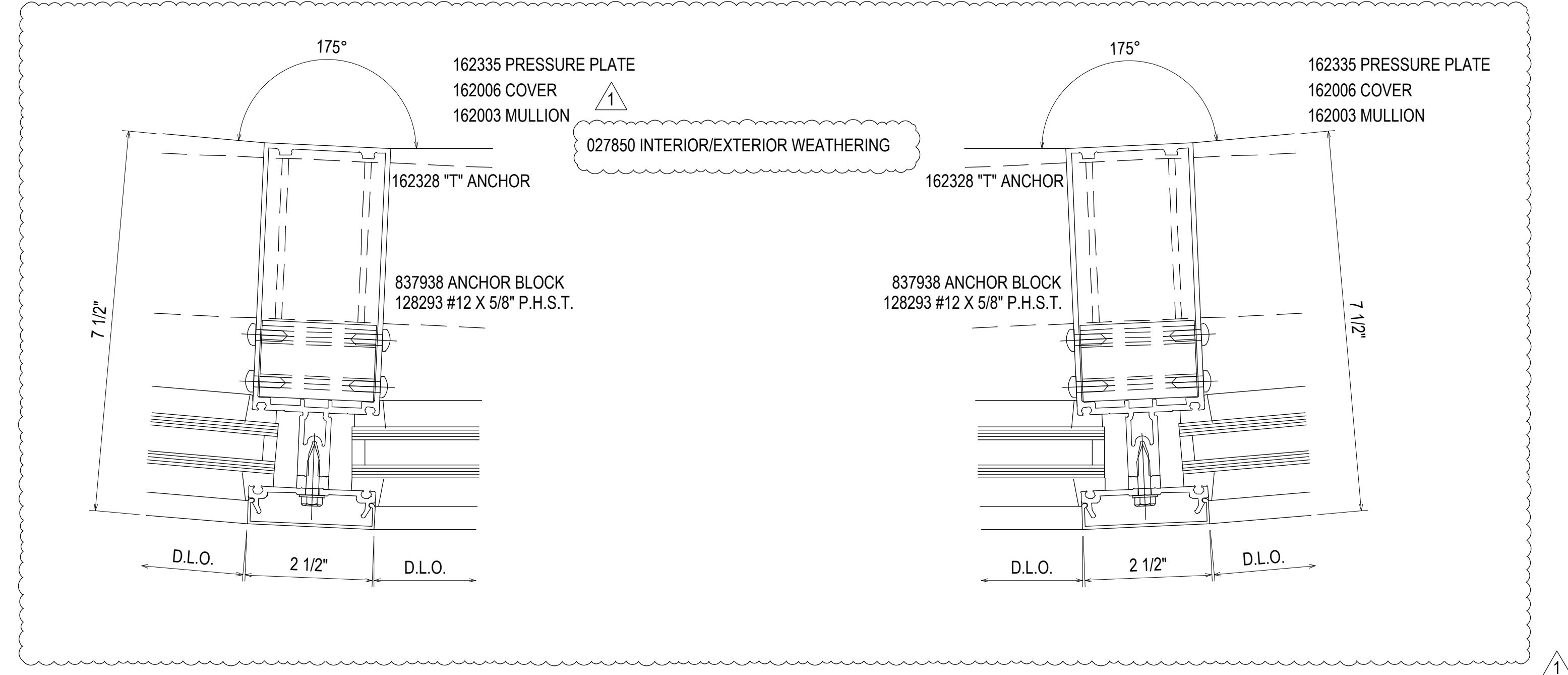
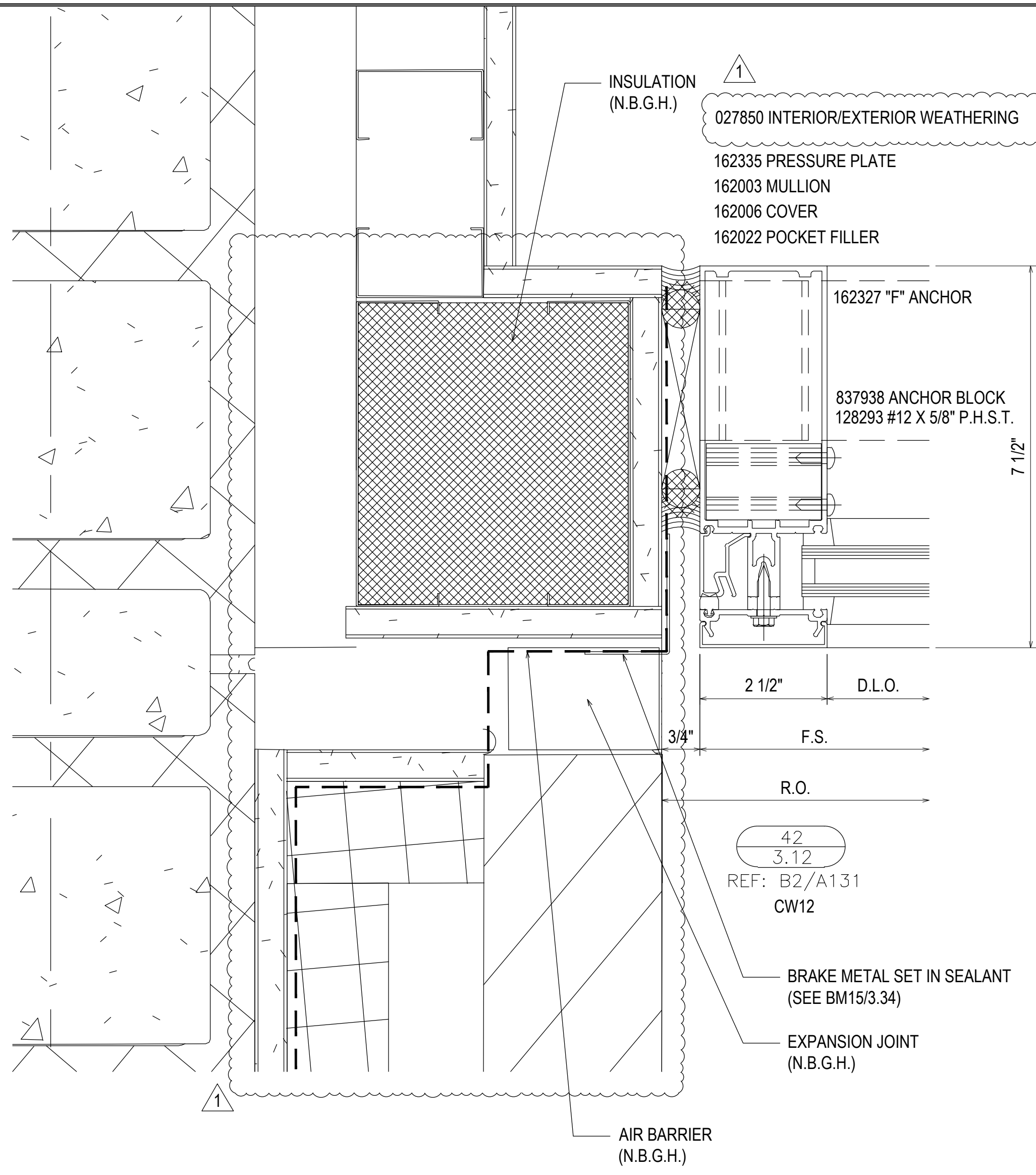
BETHEL HANBERRY ELEMENTARY SCHOOL
EXTERIOR SUBMITTAL
 125 BONEY ROAD, BLYTHEWOOD, SC 29016



JOB #
20-018
 DRAWN BY: RA DATE: 04.23.21
 CHECKED BY: EW DATE: 04.23.21

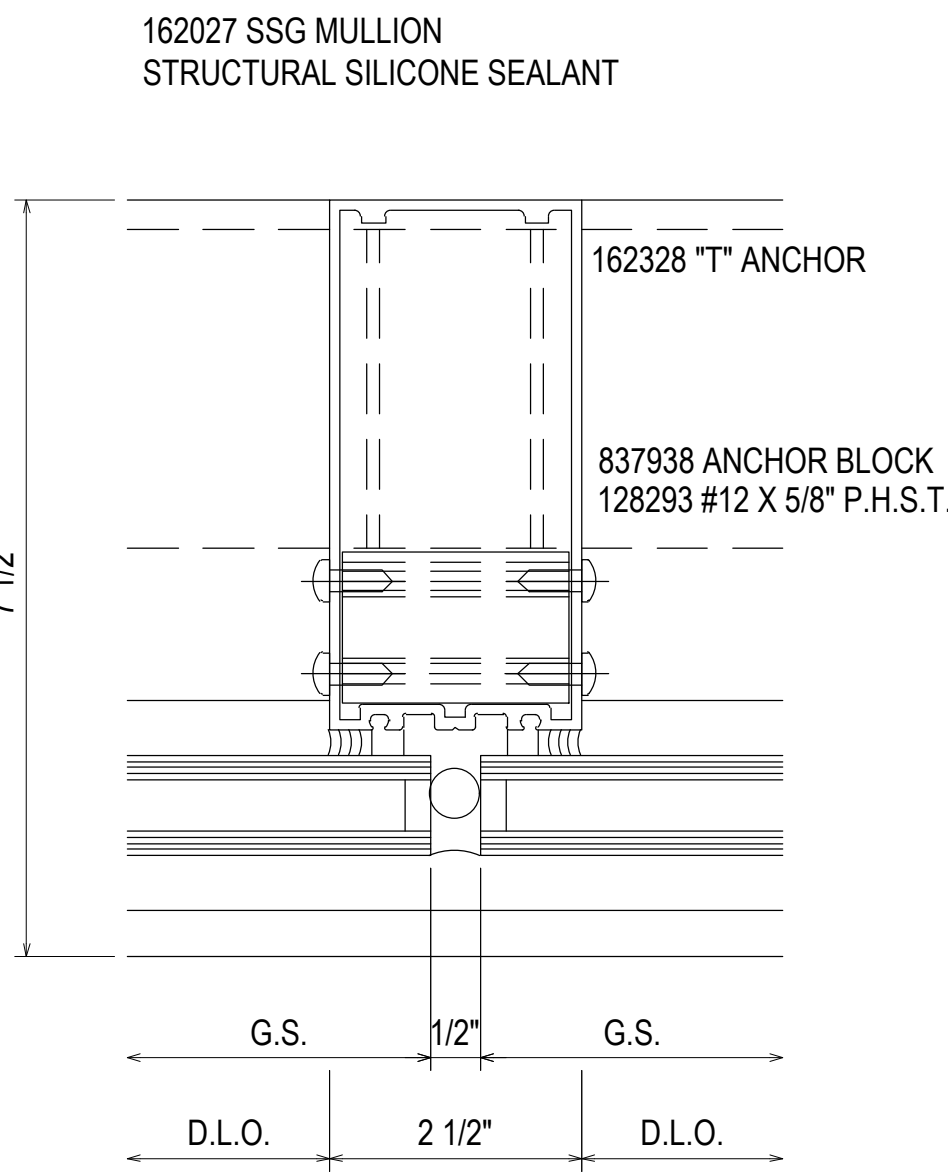
3.11

DRAWING SUBMISSION

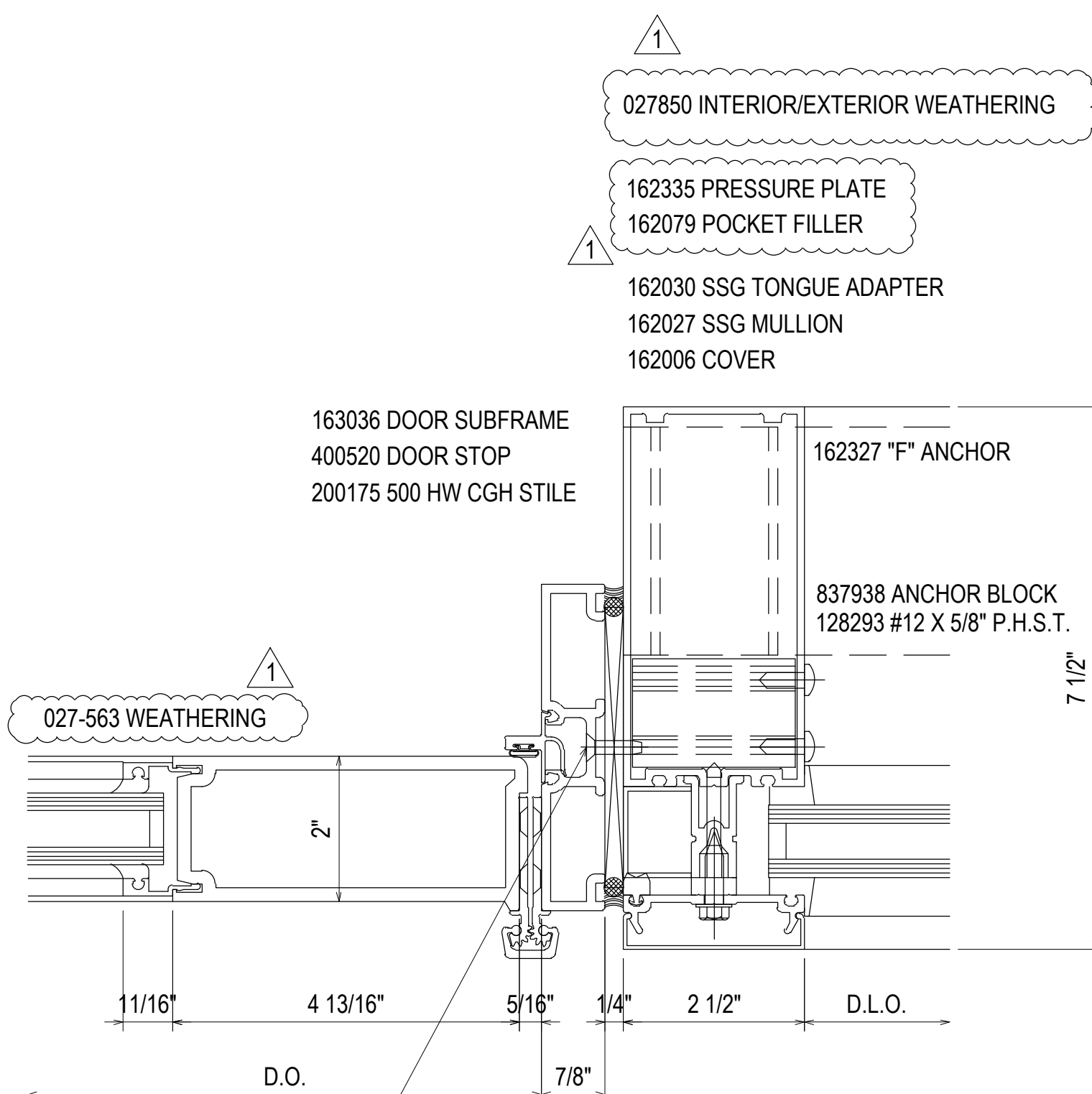


43
3.12
REF: N/A
CW13 - CW14

44
3.12
REF: N/A
CW12 - CW13

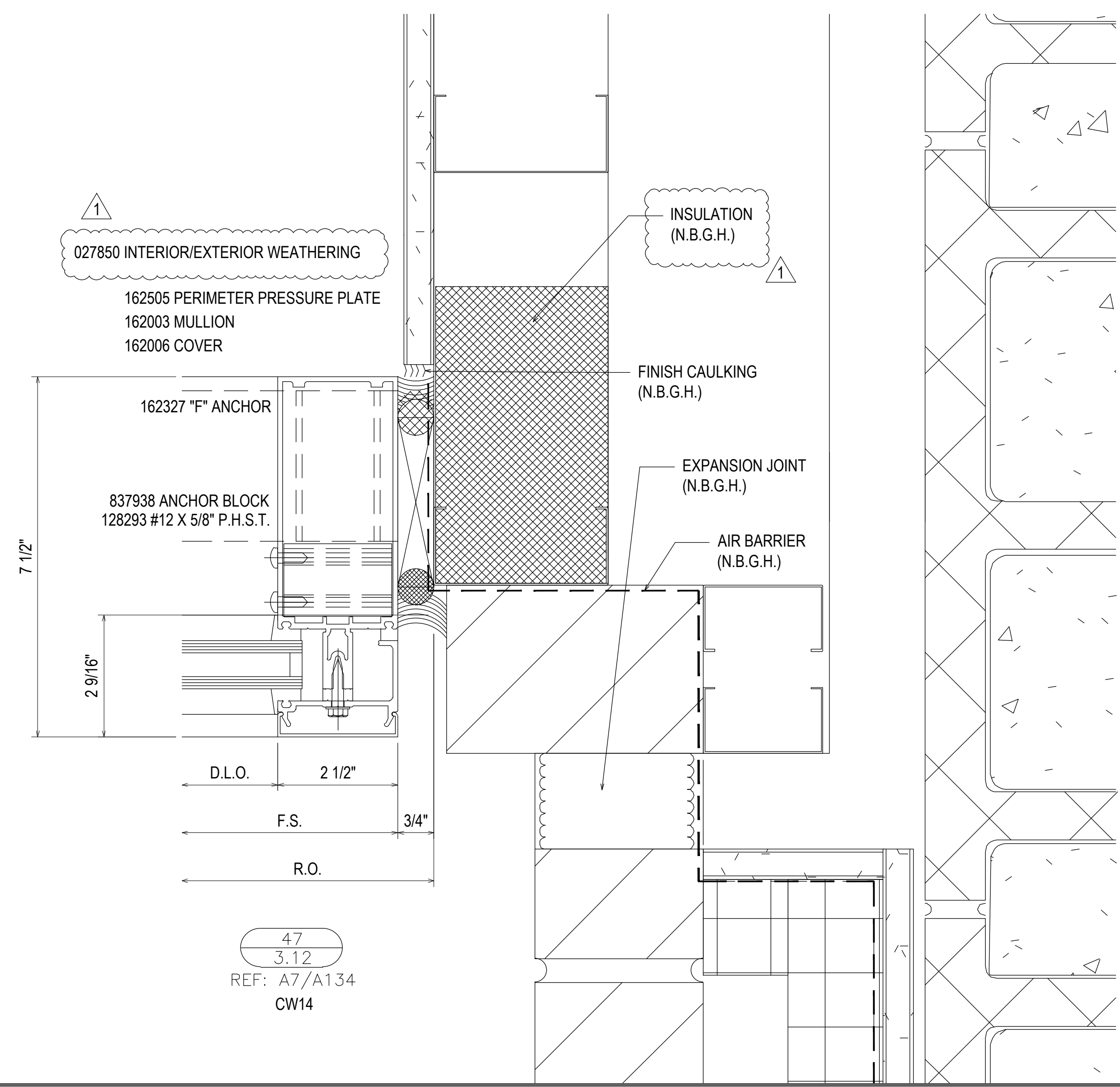


45
3.12
REF: N/A
CW12 - CW13 - CW14



46
3.12
REF: N/A
CW12 - CW14

#12-24 GRADE 5 SMS WITH A MINIMUM FULL PENETRATION + 1/2"
MINIMUM 3/8" EDGE DISTANCE
SPACED 3" FROM END AND 24" O.C. THEREAFTER



47
3.12
REF: A7/A134
CW14

REV.	DESCRIPTION	DATE
1	1ST REVISION (RA)	06.19.21
2	2ND REVISION (ENGINEERING)	06.08.21
3	3RD REVISION (MULLION RESISTANT)	08.03.21
NO	DESCRIPTION	

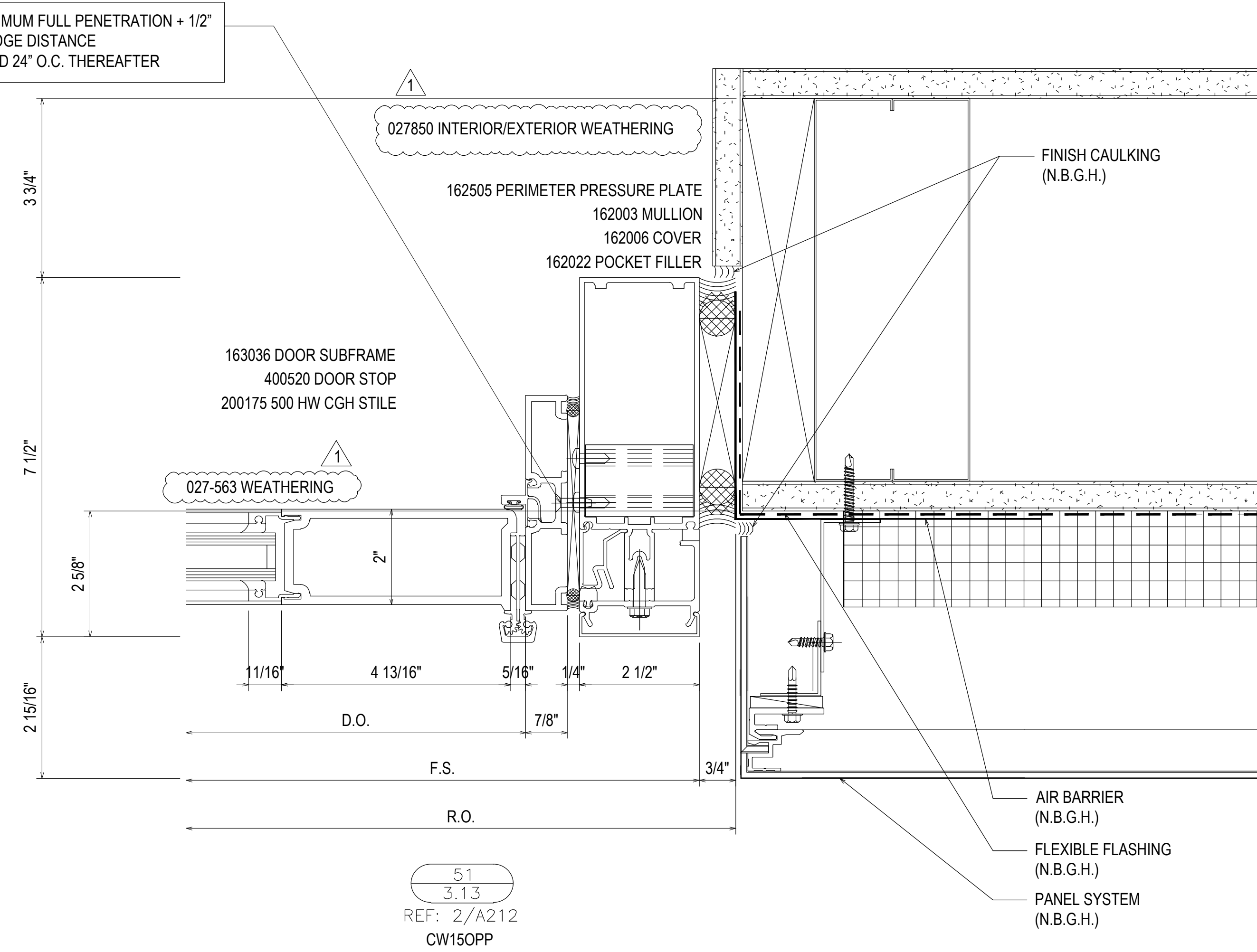
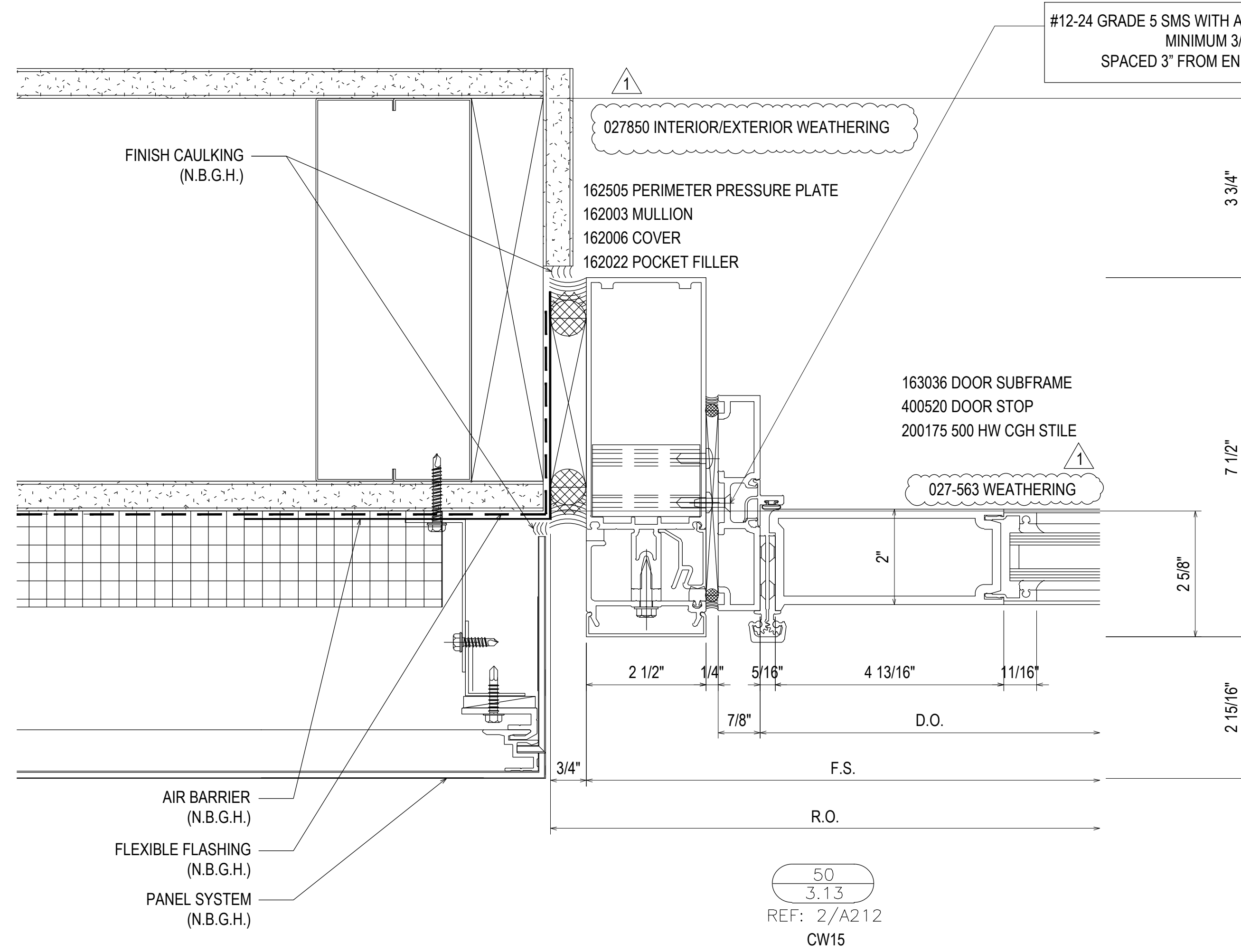
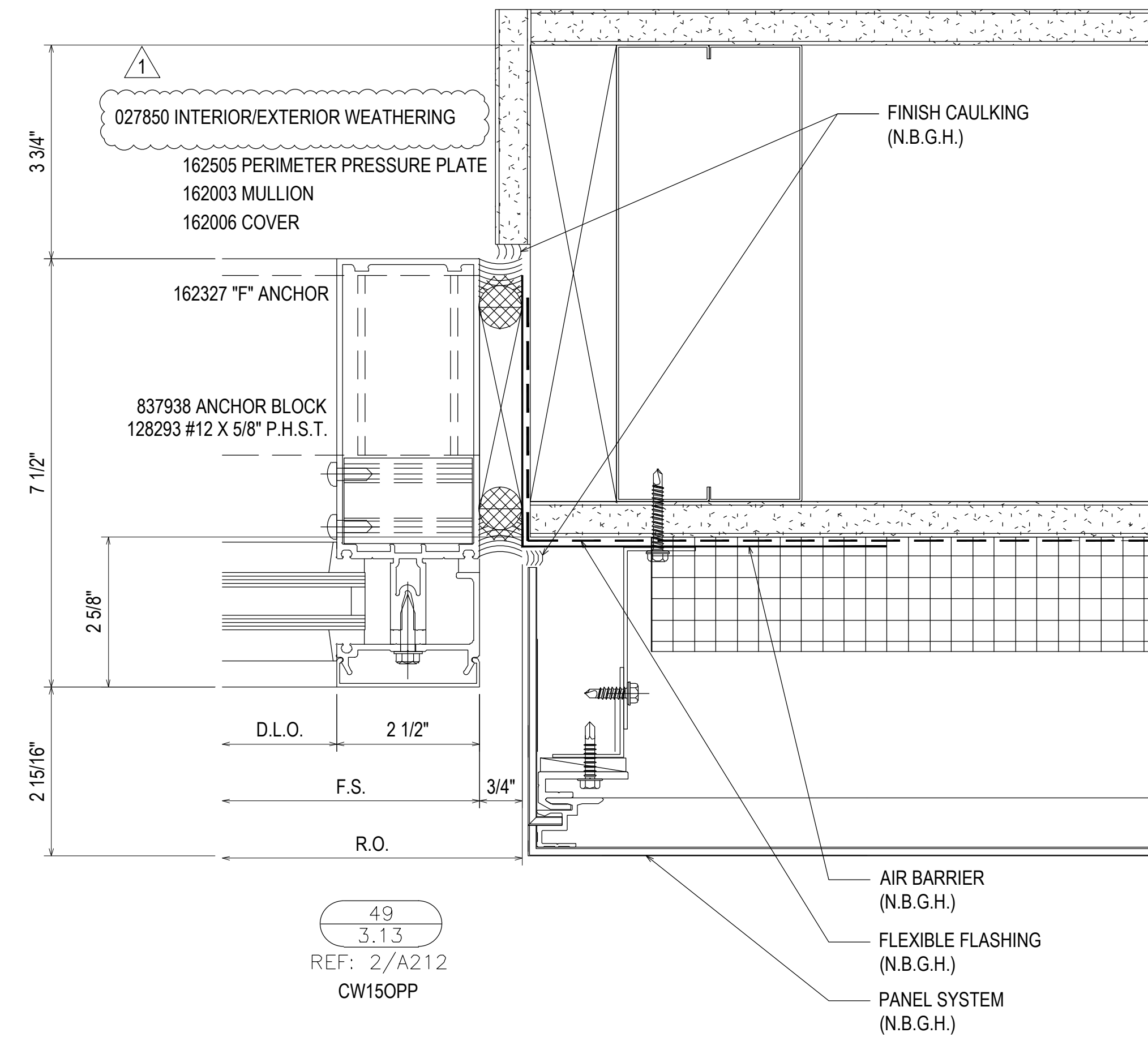
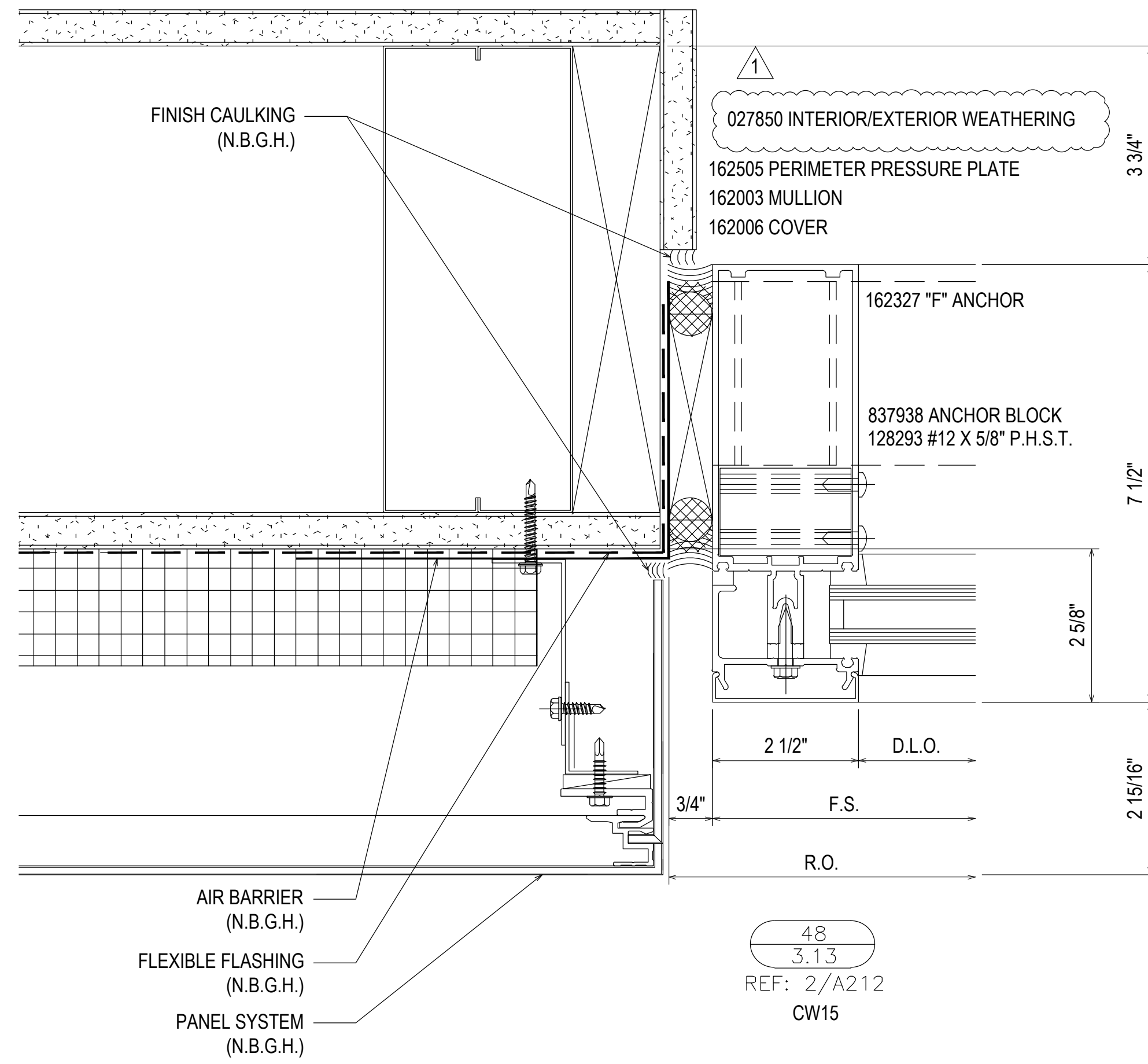
BETHEL HANBERRY ELEMENTARY SCHOOL
EXTERIOR SUBMITTAL
125 BONEY ROAD, BLYTHEWOOD, SC 29016



JOB #
20-018

DRAWN BY:	DATE:
RA	04.23.21
CHECKED BY:	DATE:
EW	04.23.21

3.12



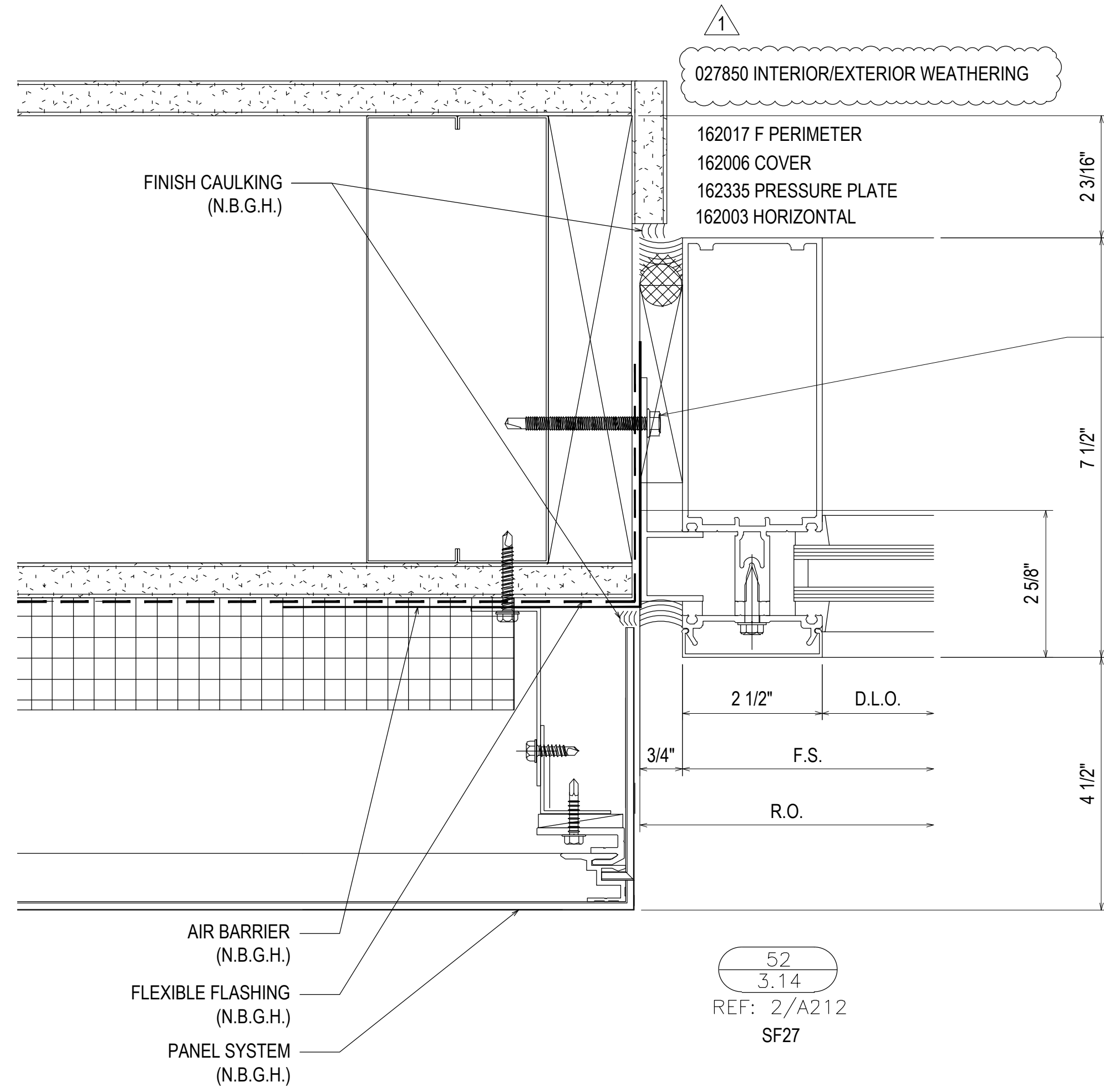
REV.	DESCRIPTION	DATE
1	1ST REVISION (RA)	06.19.21
2	2ND REVISION (ENGINEERING)	06.08.21
3	3RD REVISION (BULLET RESISTANT)	08.03.21
NO	DESCRIPTION	

BETHEL HANBERRY ELEMENTARY SCHOOL
 EXTERIOR SUBMITTAL
 125 BONEY ROAD, BLYTHEWOOD, SC 29016

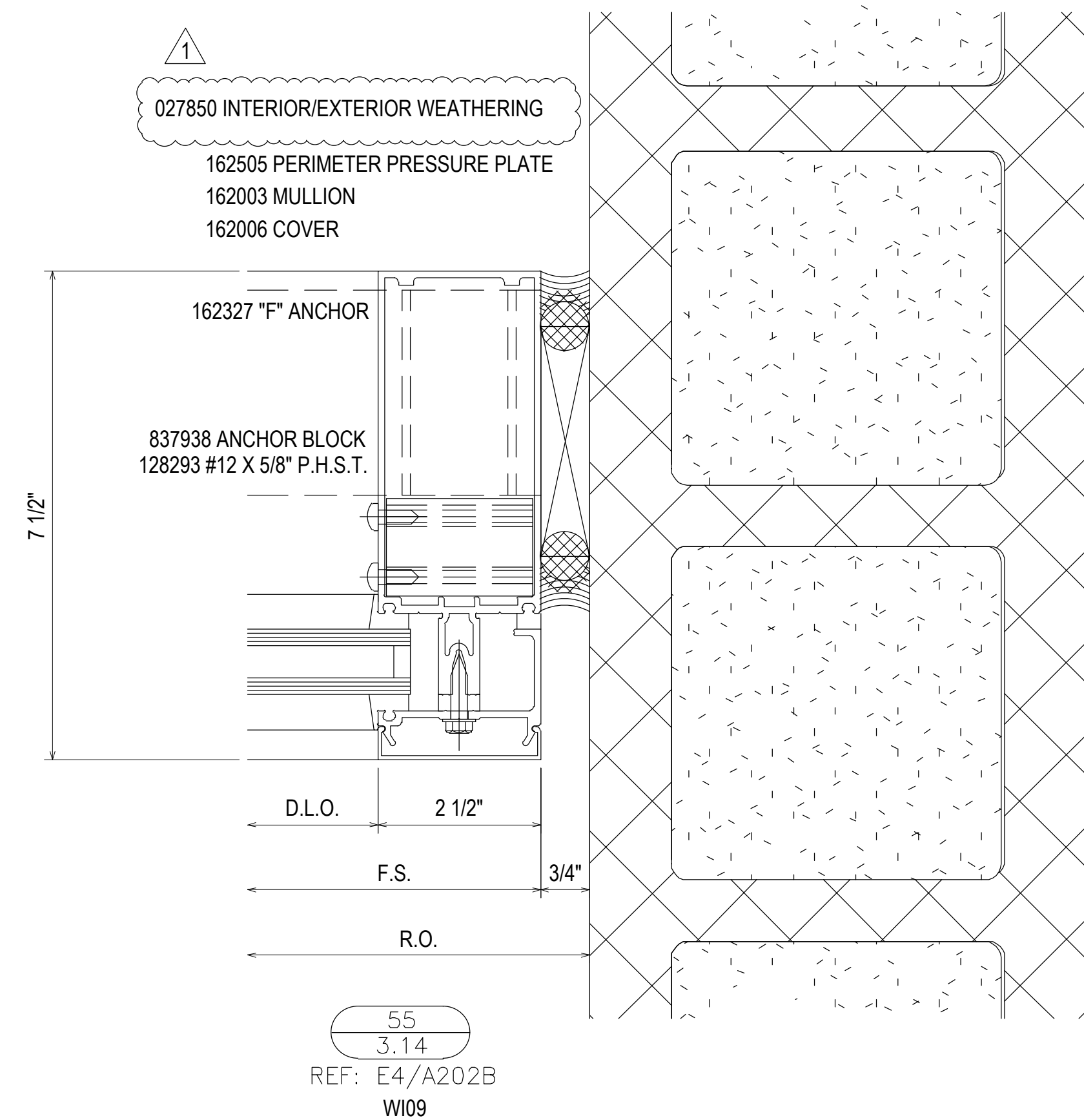
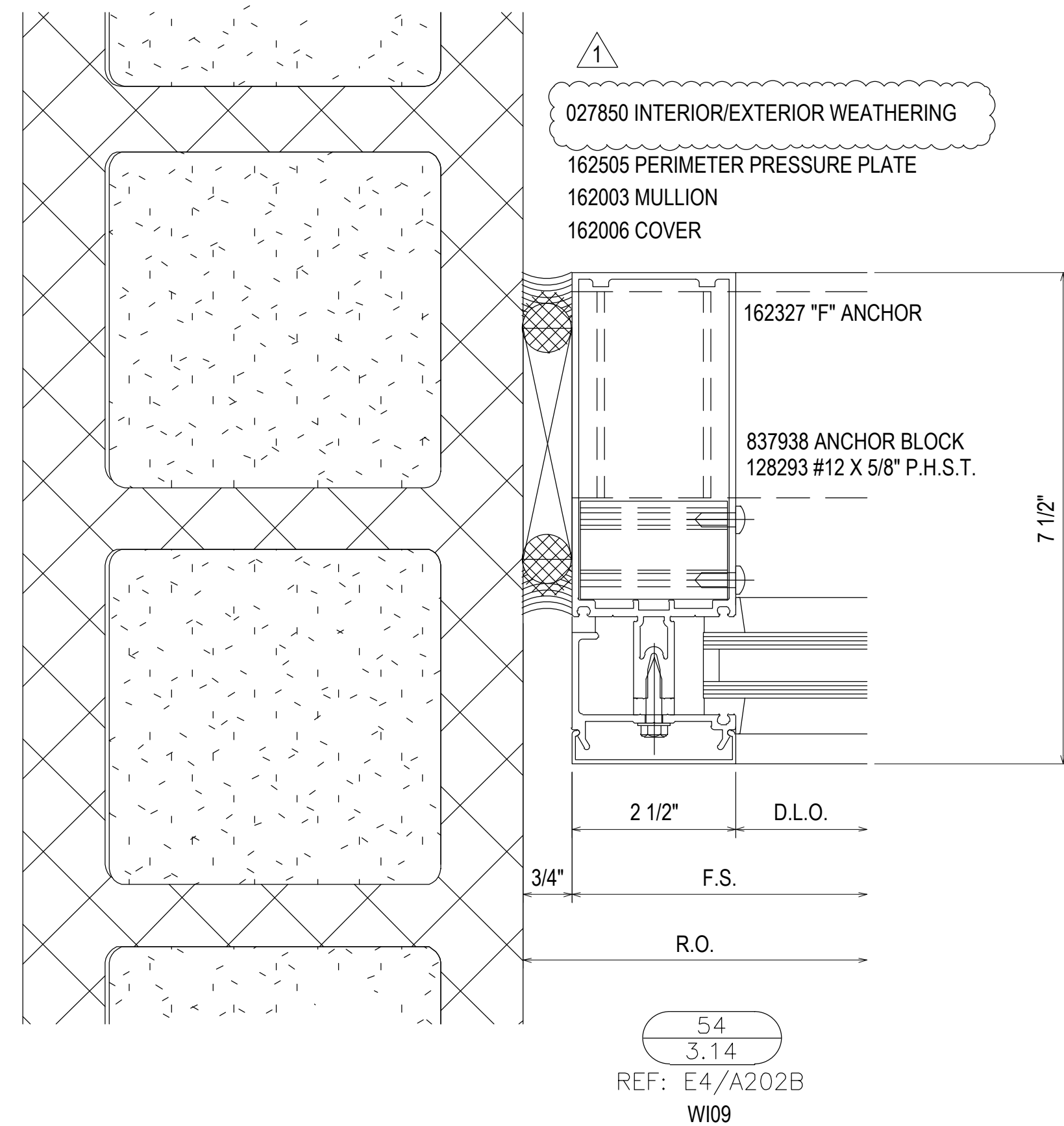
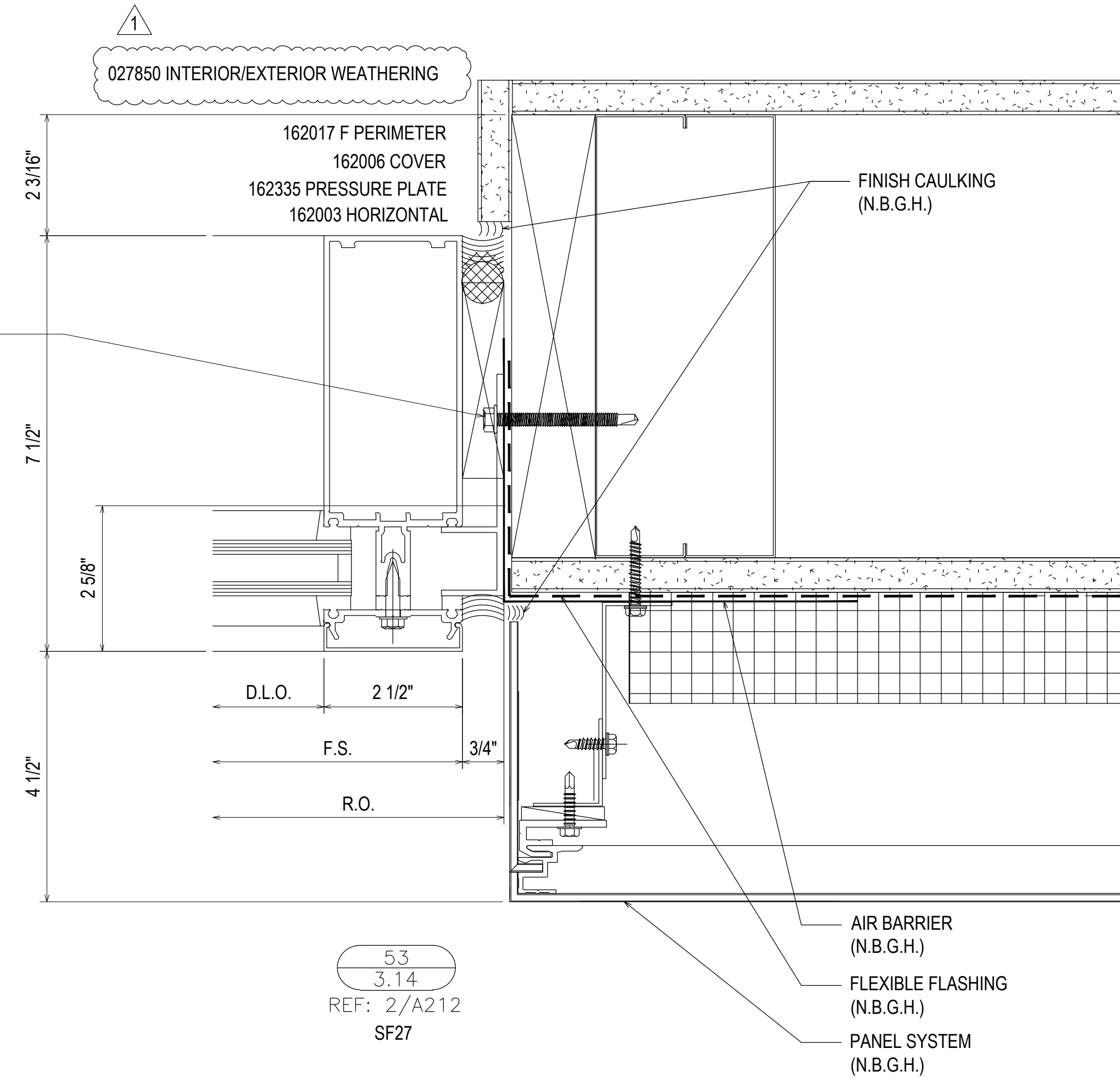
GRAHAM-HODGE ASSOCIATES INC.

JOB # 20-018

DRAWN BY:	DATE:
RA	04.23.21
CHECKED BY:	DATE:
EW	04.23.21



GLAZING CLIP SECURED USING 1/4-20 GRADE 5 SMS
MINIMUM FULL PENETRATION + 1/2"
MINIMUM 3/8" EDGE DISTANCE
ANCHORS SPACED 24" O.C.



REV.	DESCRIPTION	DATE
1	1ST REVISION (RA)	06.19.21
2	2ND REVISION (ENGINEERING)	06.08.21
3	3RD REVISION (MULLION RESISTANT)	08.03.21
NO	DESCRIPTION	

BETHEL HANBERRY ELEMENTARY SCHOOL
EXTERIOR SUBMITTAL
125 BONEY ROAD, BLYTHEWOOD, SC 29016

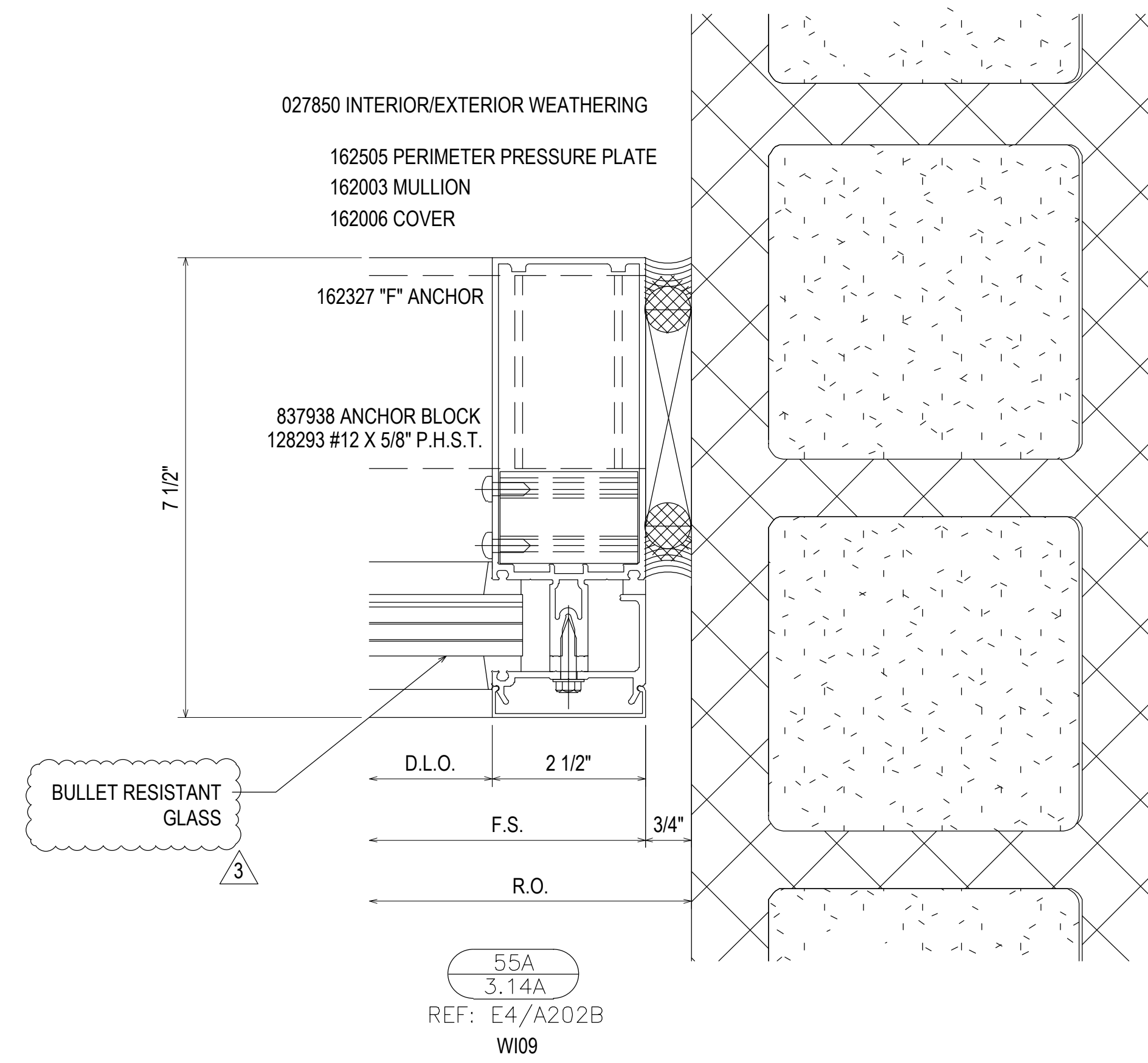
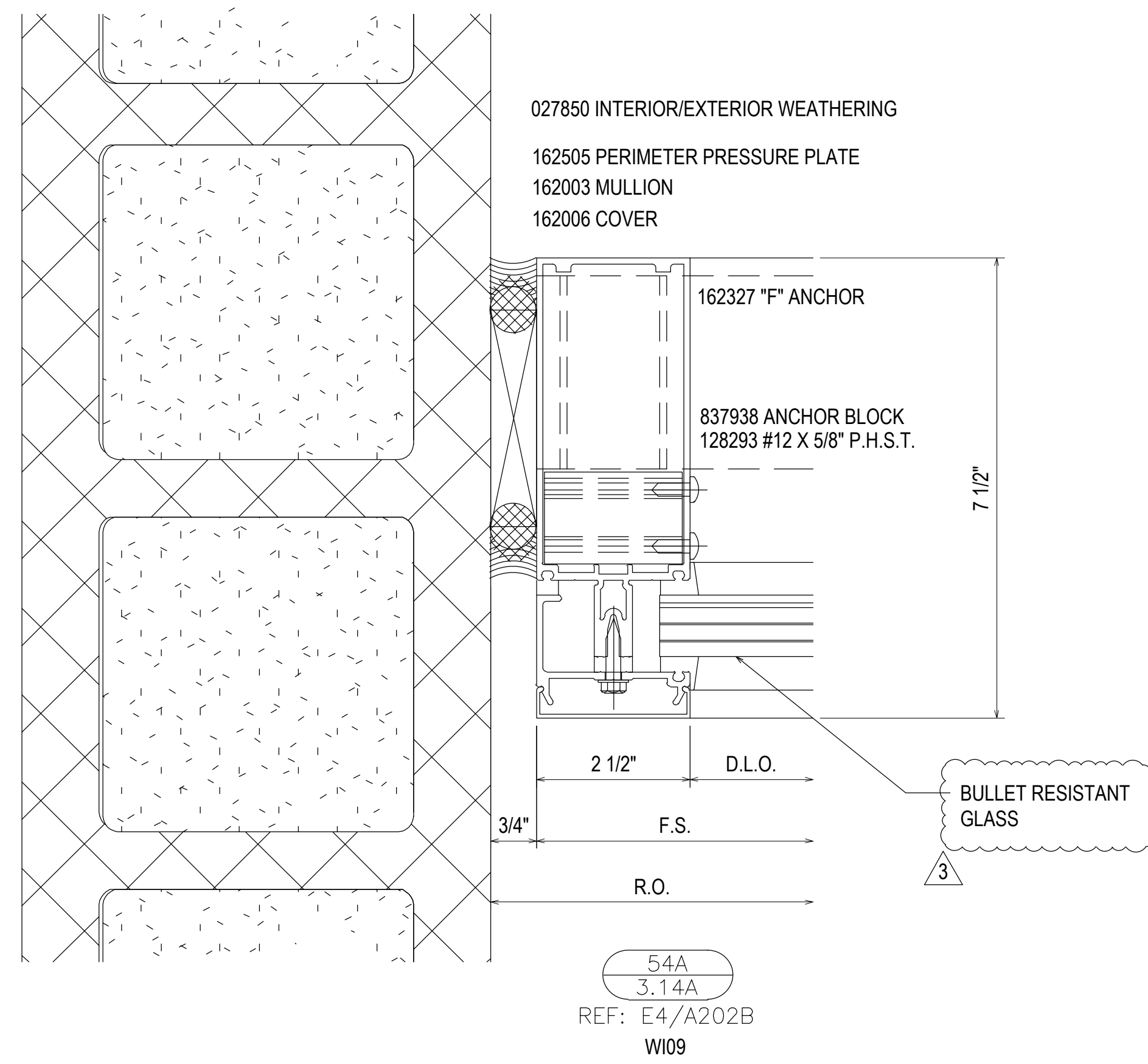
GRAHAM-HODGE ASSOCIATES INC.

JOB # 20-018

DRAWN BY:	DATE:
RA	04.23.21
CHECKED BY:	DATE:
EW	04.23.21

3.14

DRAWING SUBMISSION



BETHEL HANBERRY ELEMENTARY SCHOOL
EXTERIOR SUBMITTAL
 125 BONEY ROAD, BLYTHEWOOD, SC 29016



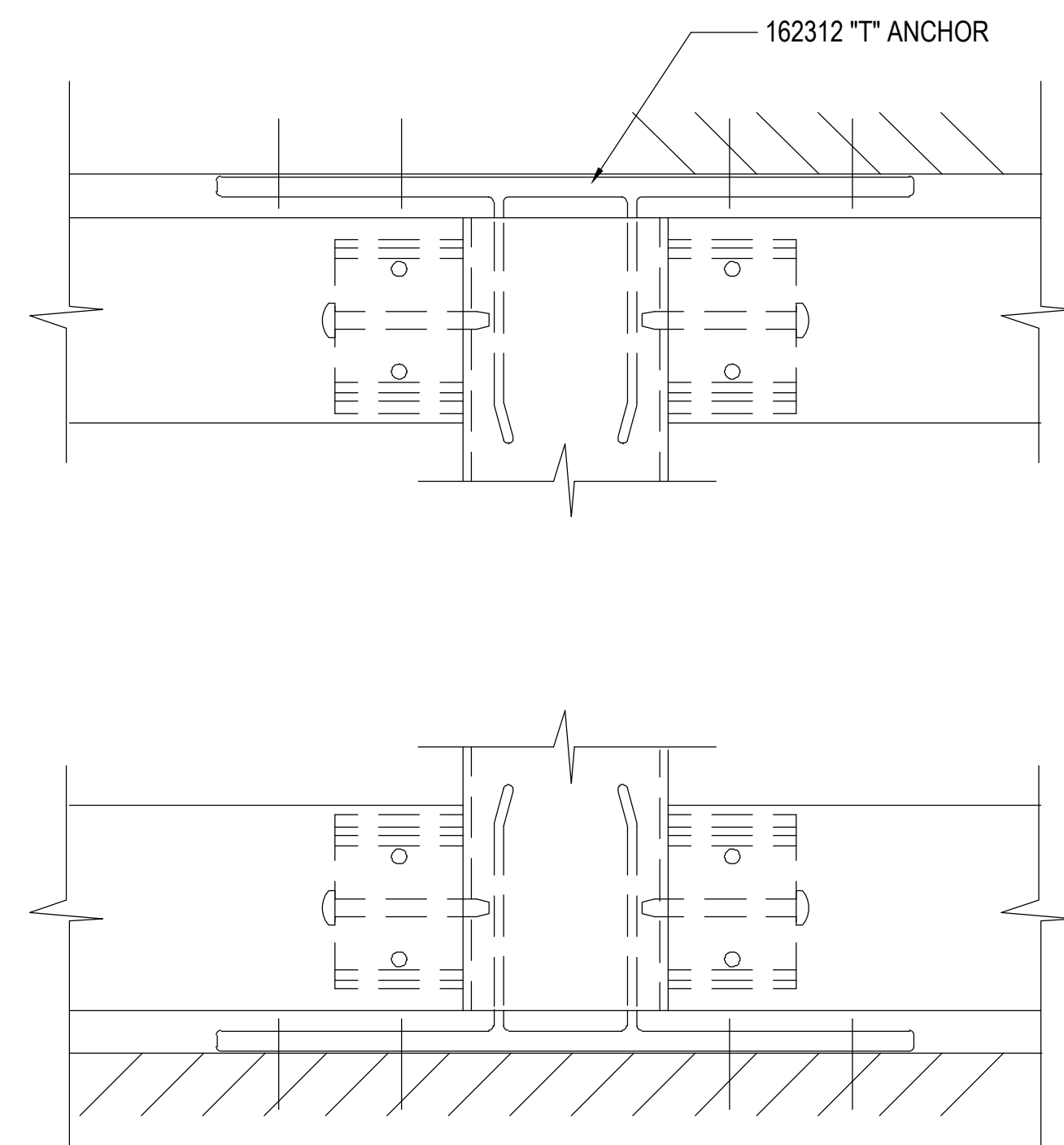
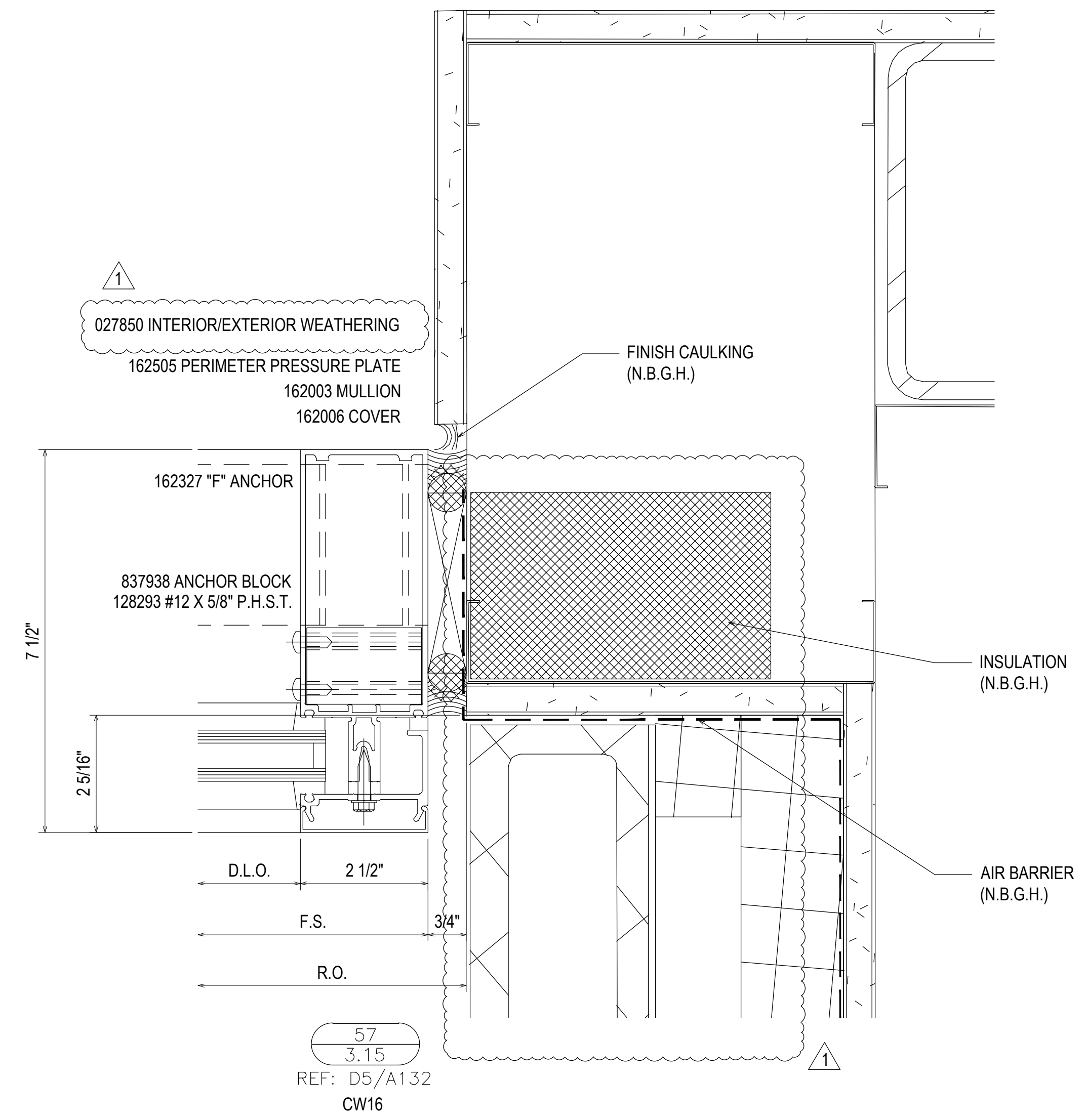
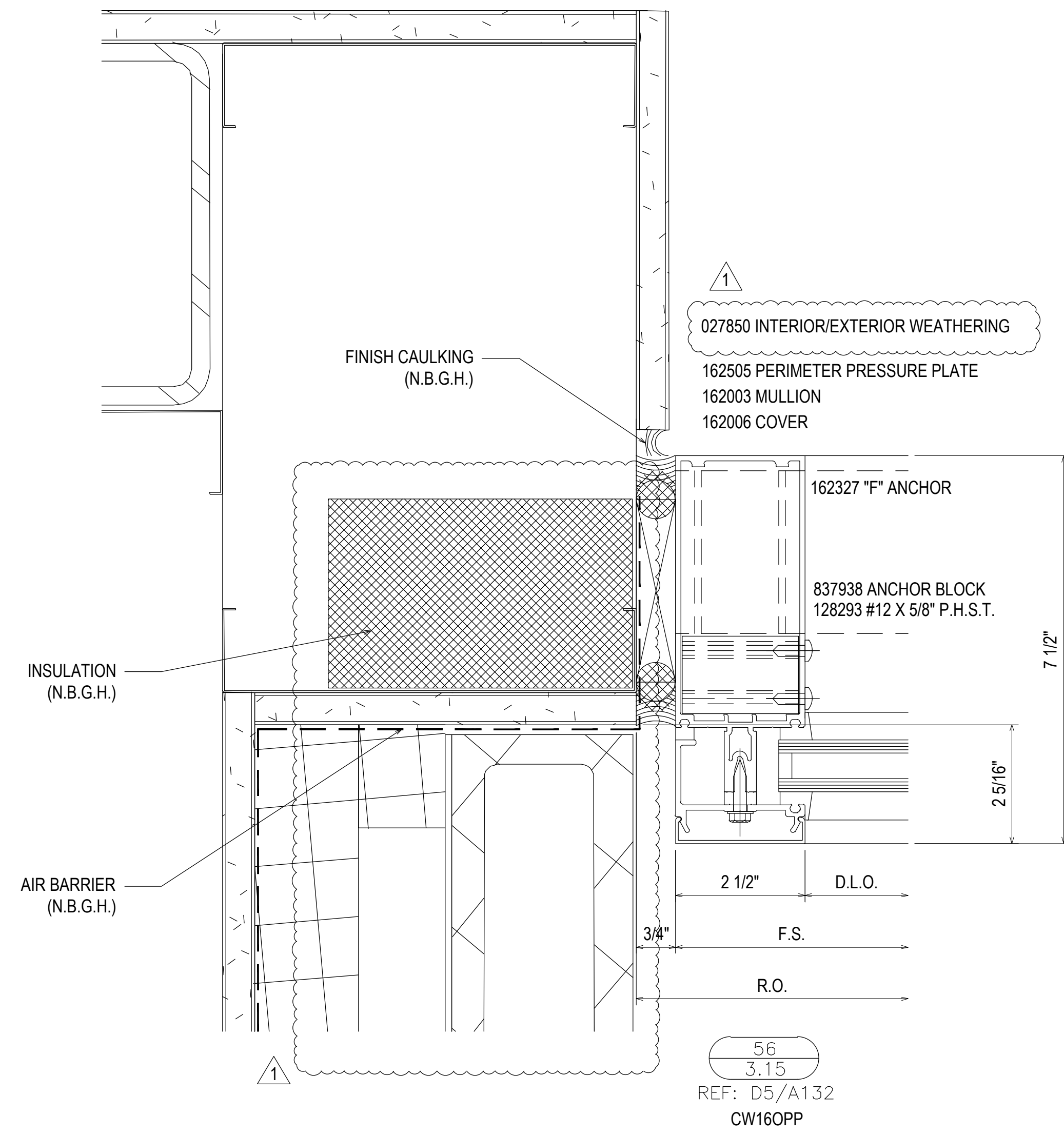
JOB #
 20-018

DRAWN BY: RA DATE: 04.23.21
 CHECKED BY: EW DATE: 04.23.21

3.14A

REV.	DESCRIPTION	DATE
1	1ST REVISION (RA)	06.19.21
2	2ND REVISION (ENGINEERING)	06.08.21
3	3RD REVISION (BULLET RESISTANT)	08.03.21
NO	DESCRIPTION	

DRAWING SUBMISSION



58
3.15
REF: N/A
TYPICAL T & F ANCHORS

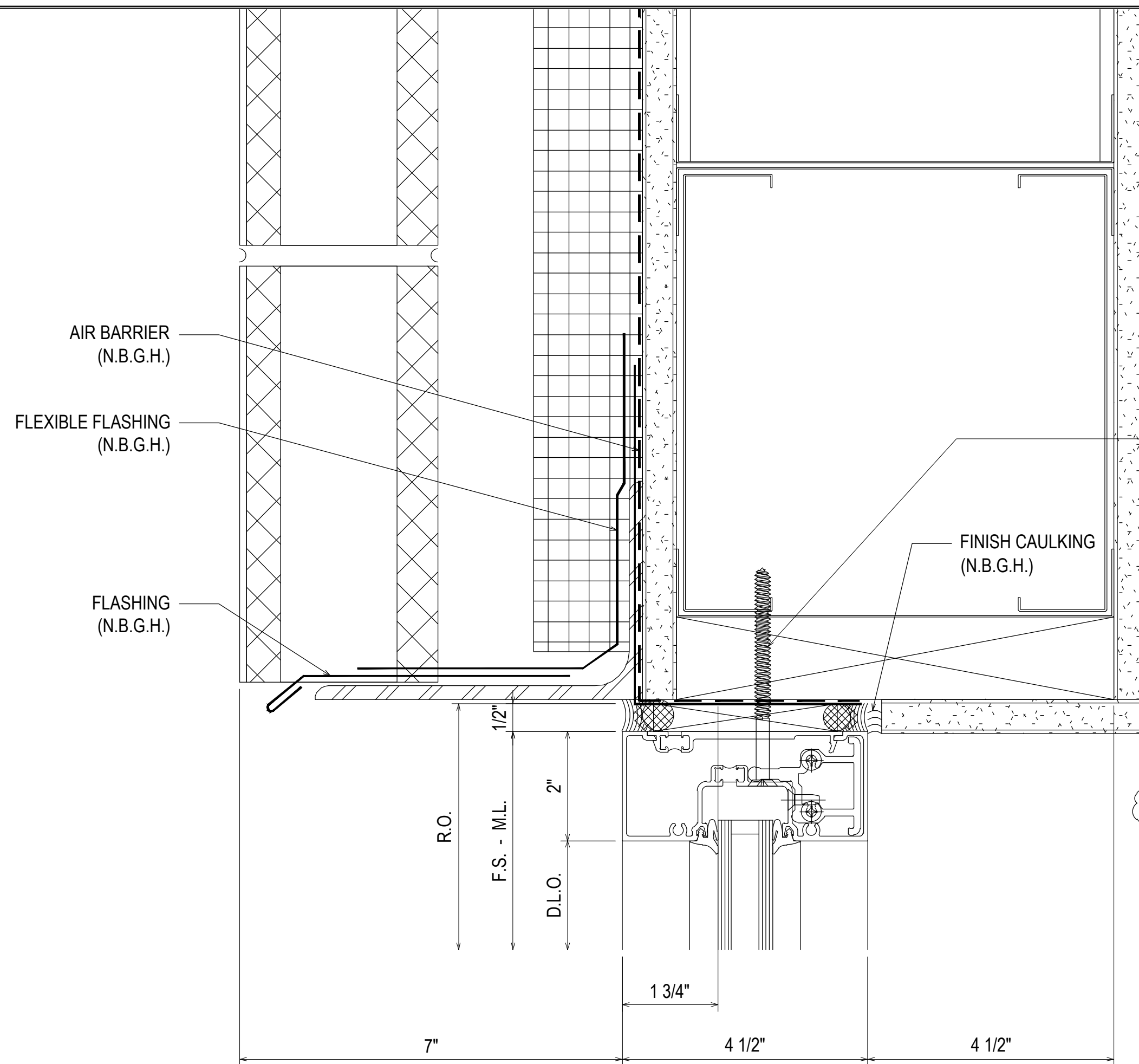
REV.	DESCRIPTION	DATE
1	1ST REVISION (RA)	06.19.21
2	2ND REVISION (ENGINEERING)	06.08.21
3	3RD REVISION (MULLION RESISTANT)	08.03.21
NO	DESCRIPTION	

BETHEL HANBERRY ELEMENTARY SCHOOL
EXTERIOR SUBMITTAL
 125 BONEY ROAD, BLYTHEWOOD, SC 29016



JOB #
20-018

DRAWN BY:	DATE:
RA	04.23.21
CHECKED BY:	DATE:
EW	04.23.21



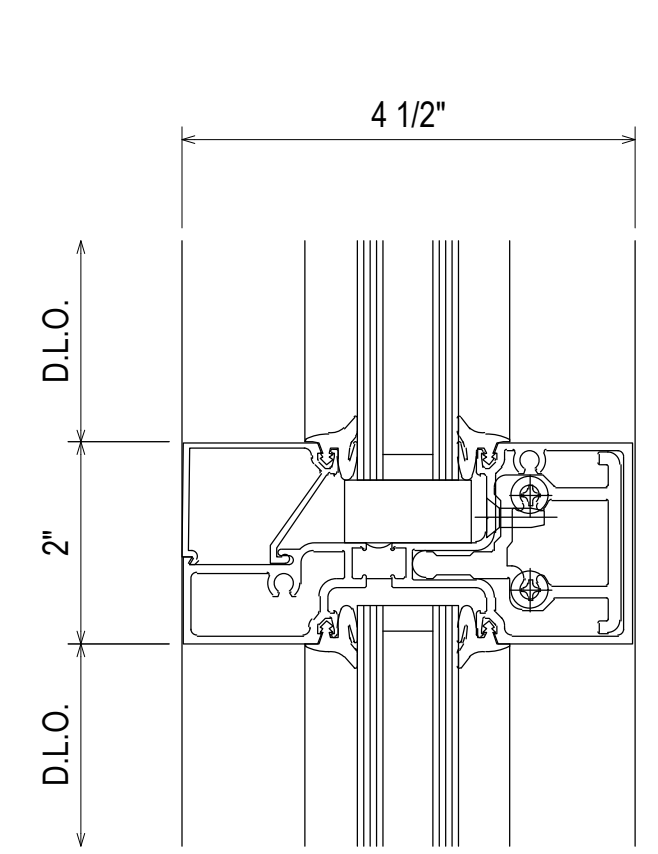
1/4-20 GRADE 5 SMS WITH A MINIMUM FULL PENETRATION + 1/2"
MINIMUM 3/8" EDGE DISTANCE
SPACED 3" FROM END AND 24" O.C. THEREAFTER

027-074 GASKET

451TCG001 MULLION/JAMB/SILL
451TCG163 THERMAL FLAT FILLER

451CG525 SHEAR BLOCK PACKAGE
(SHEAR BLOCK ONLY USED
AT DOOR SIDELITES ONLY)

59
3.16
REF: C7/A210
SF01 - SF01OPP - SF02 - SF30

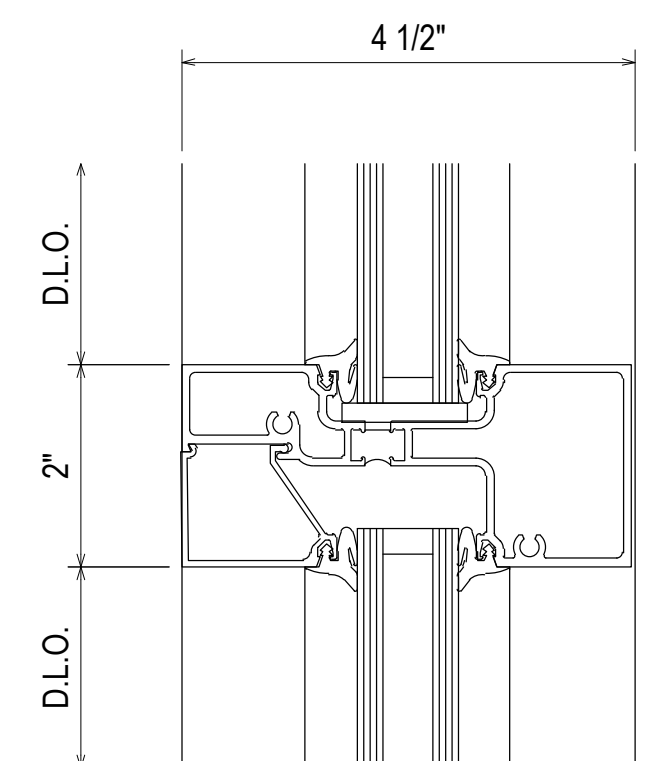


027-074 GASKET
027-073 SETTING BLOCK

451CG525 SHEAR BLOCK PACKAGE
(SHEAR BLOCK ONLY USED AT DOOR
SIDELITES ONLY)

451TCG011 TUBULAR HORIZONTAL
451CG004 GLASS STOP

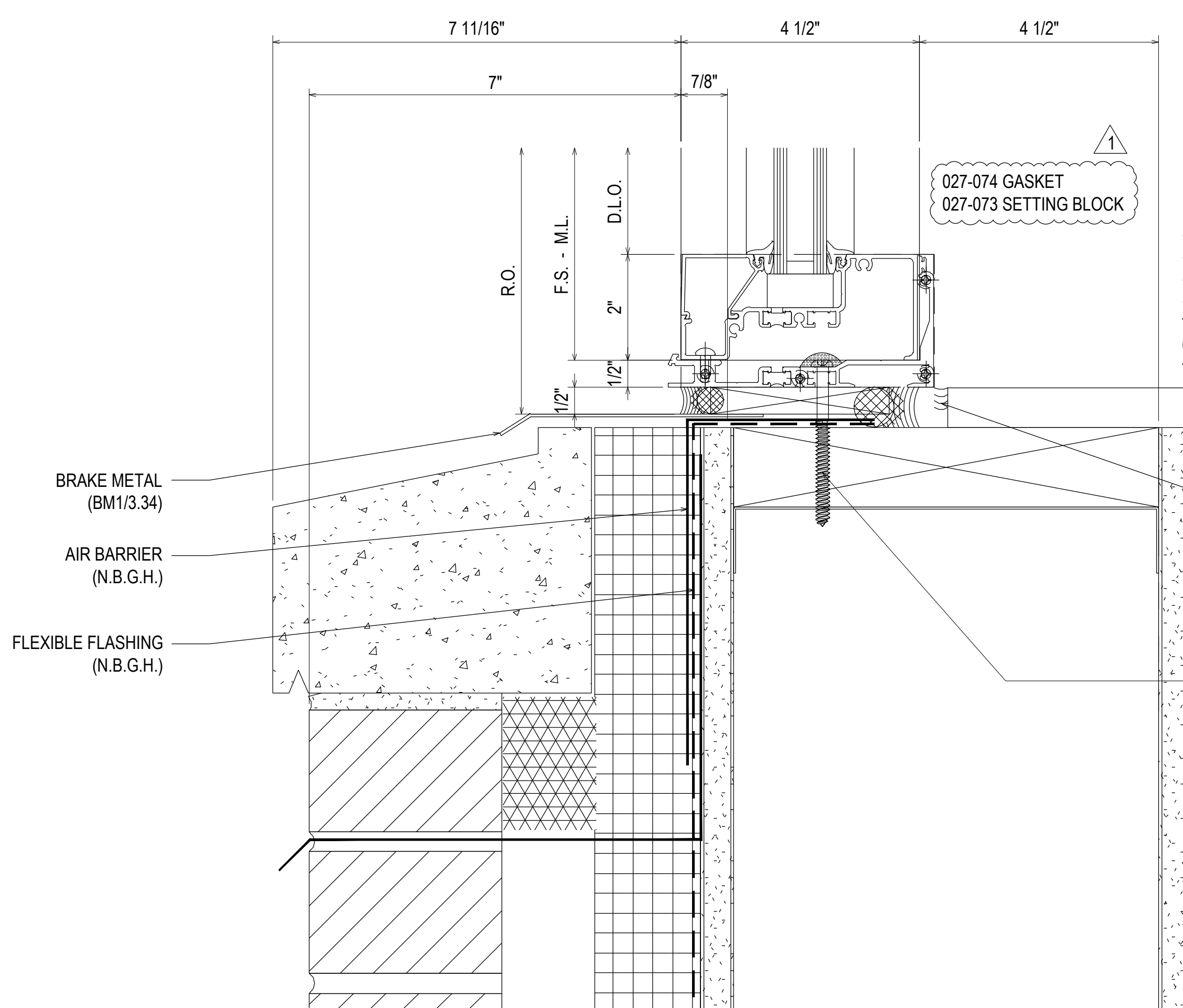
61
3.16
REF: N/A
TYPICAL



027-074 GASKET
027-081 SETTING BLOCK

451TCG011 TUBULAR HORIZONTAL
451CG004 GLASS STOP

61A
3.16
REF: N/A
SF03B

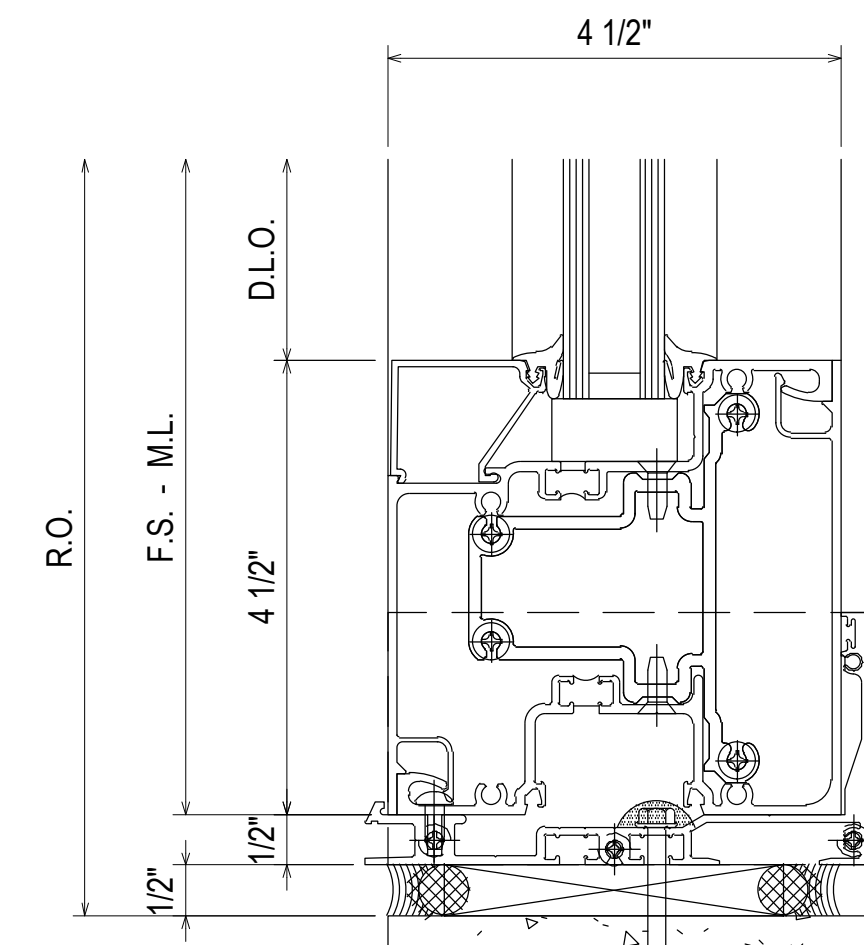


60
3.16
REF: B6/A211
SF01 - SF01OPP - SF09 - SF12
SF13 - SF14 - SF19 - SF19OPP
SF20 - SF20OPP - SF21 - SF21SS
SF22 - SF22SS - SF23 - SF23SS
SF23OPP - SF23OPSS - SF24
SF24OPP - SF30

451TCG014 SILL
451CG004 GLASS STOP
451TVG316 END DAM
451TVG037 HP SILL FLASHING
128407 10 x 7/16" TYPE I CRPHTFS "B"
028808 #8 x 1/2" PHTF "AB"
127043 WEATHERING

FINISH CAULKING
(N.B.G.H.)

1/4-20 GRADE 5 SMS WITH A MINIMUM FULL PENETRATION + 1/2"
MINIMUM 3/8" EDGE DISTANCE
SPACED 3" FROM END AND 24" O.C. THEREAFTER

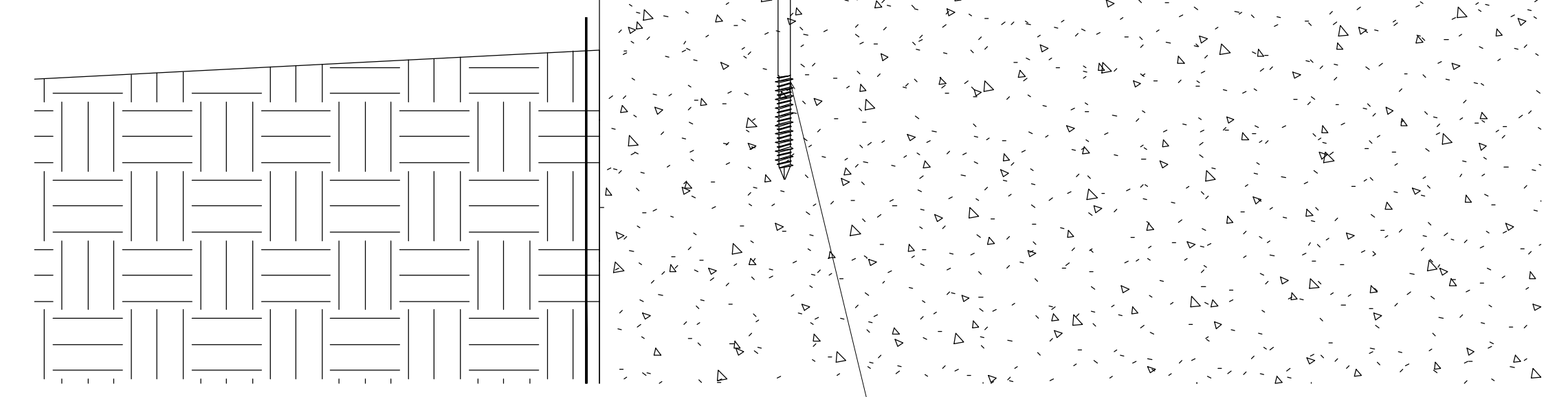


027-074 GASKET
027-073 SETTING BLOCK

451TCG035 ONE POCKET CORNER HALF
451TCG115 4-1/2" HORIZONTAL HALF
451CG004 GLASS STOP
451TVG316 END DAM
451TVG037 FLASHING
451CG366 SILL REGLET CLIP
028808 #8 x 1/2" PHTF "AB"
127043 WEATHERING

451CG617 SHEAR BLOCK PACKAGE
(SHEAR BLOCK ONLY USED AT DOOR
SIDELITES ONLY)

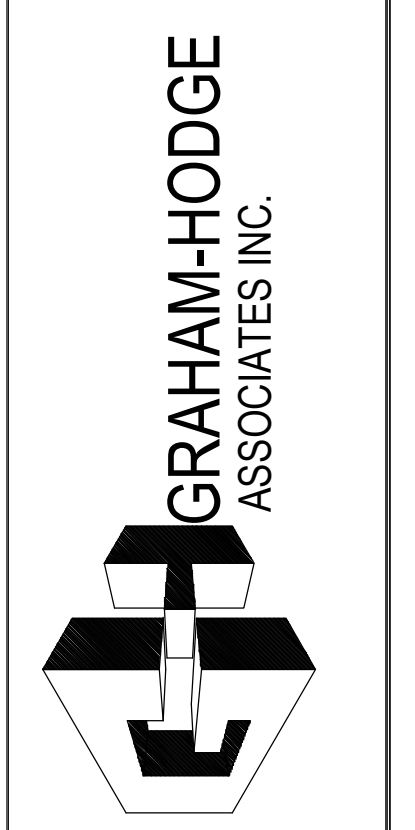
62
3.16
REF: C4/A516
SF02 - SF10



1/4" HILTI KWIK CON II + WITH MINIMUM 1-3/4" EMBEDMENT
MINIMUM 3" EDGE DISTANCE
SPACED 3" FROM END AND 24" O.C. THEREAFTER

REV.	DESCRIPTION	DATE
1	1ST REVISION (RA)	06.19.21
2	2ND REVISION (ENGINEERING)	06.08.21
3	3RD REVISION (BULLET RESISTANT)	08.03.21
NO	DESCRIPTION	

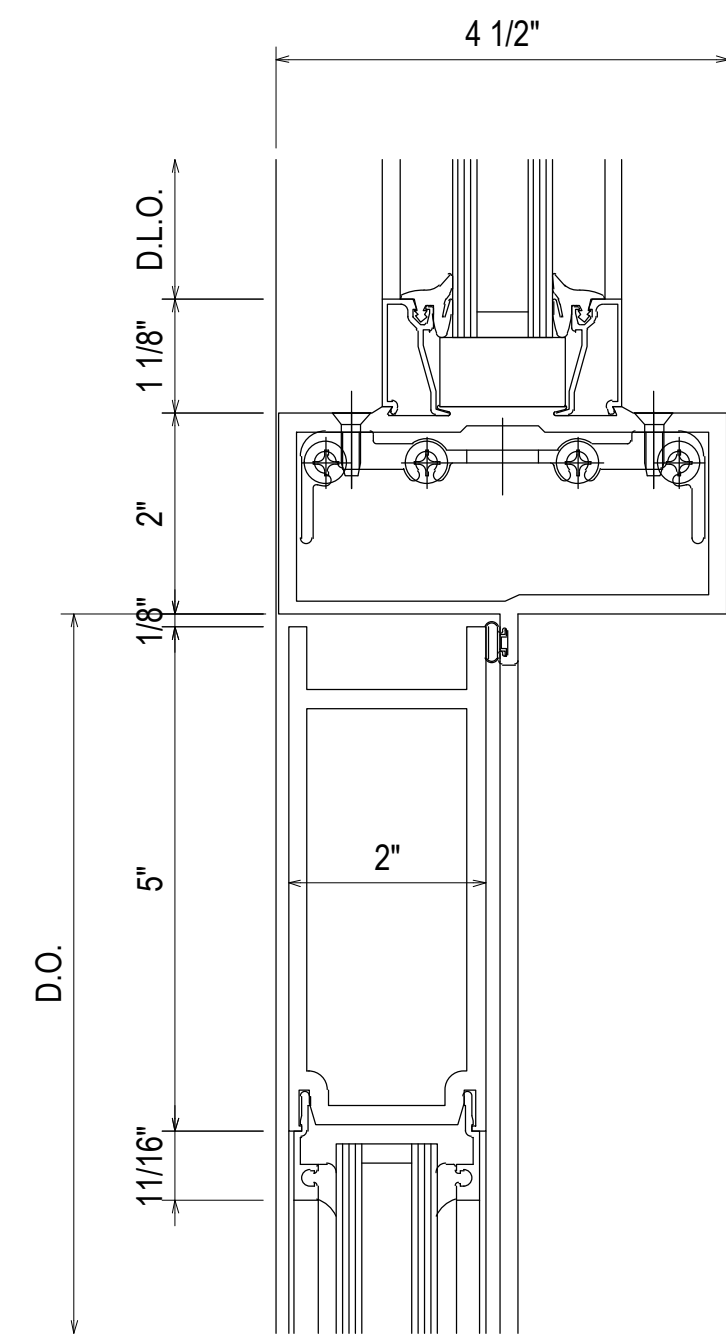
BETHEL HANBERRY ELEMENTARY SCHOOL
EXTERIOR SUBMITTAL
125 BONEY ROAD, BLYTHEWOOD, SC 29016



JOB #
20-018

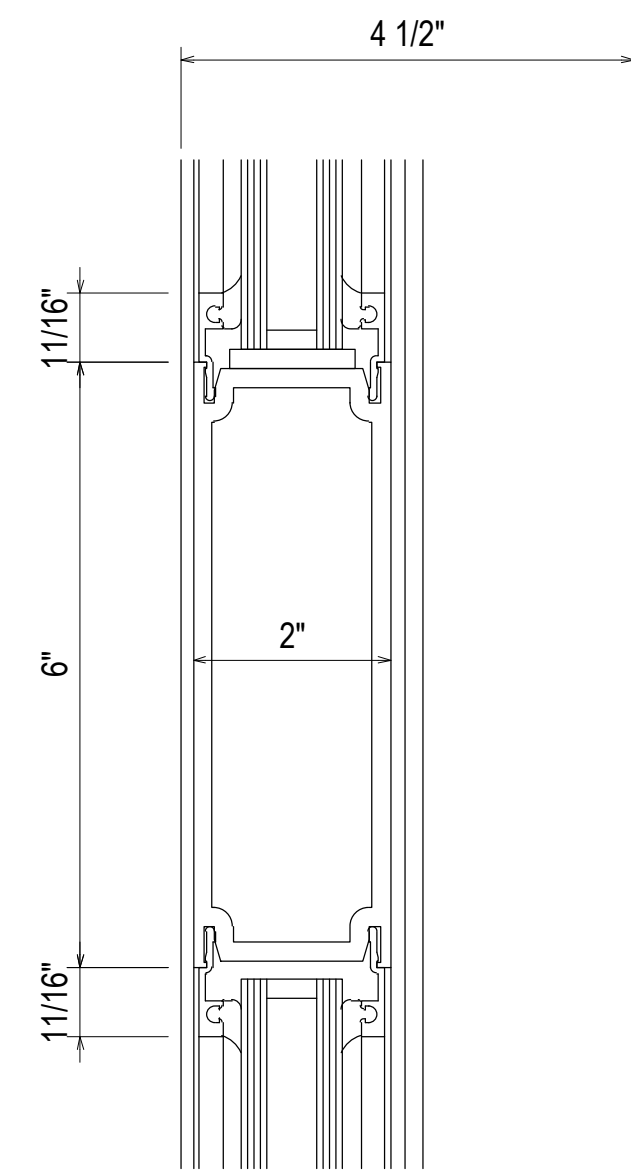
DRAWN BY:	DATE:
RA	04.23.21
CHECKED BY:	DATE:
EW	04.23.21

3.16



- 027-080 SETTING BLOCK
027-074 GASKET
- 200180 500 HW TOP RAIL
451498 S/A HEAVY T-BAR/HEADER
W/ WEATHERING
450136 HEADER/T-BAR
SHEAR BLOCK
450022 T-BAR GLASS STOP
028578 #10 x 5/8" FHST
128394 #12 x 1-7/8" PHST

63
3.17
REF: N/A
SF02 - SF10 - SF21 - SF21SS
SF22 - SF22SS

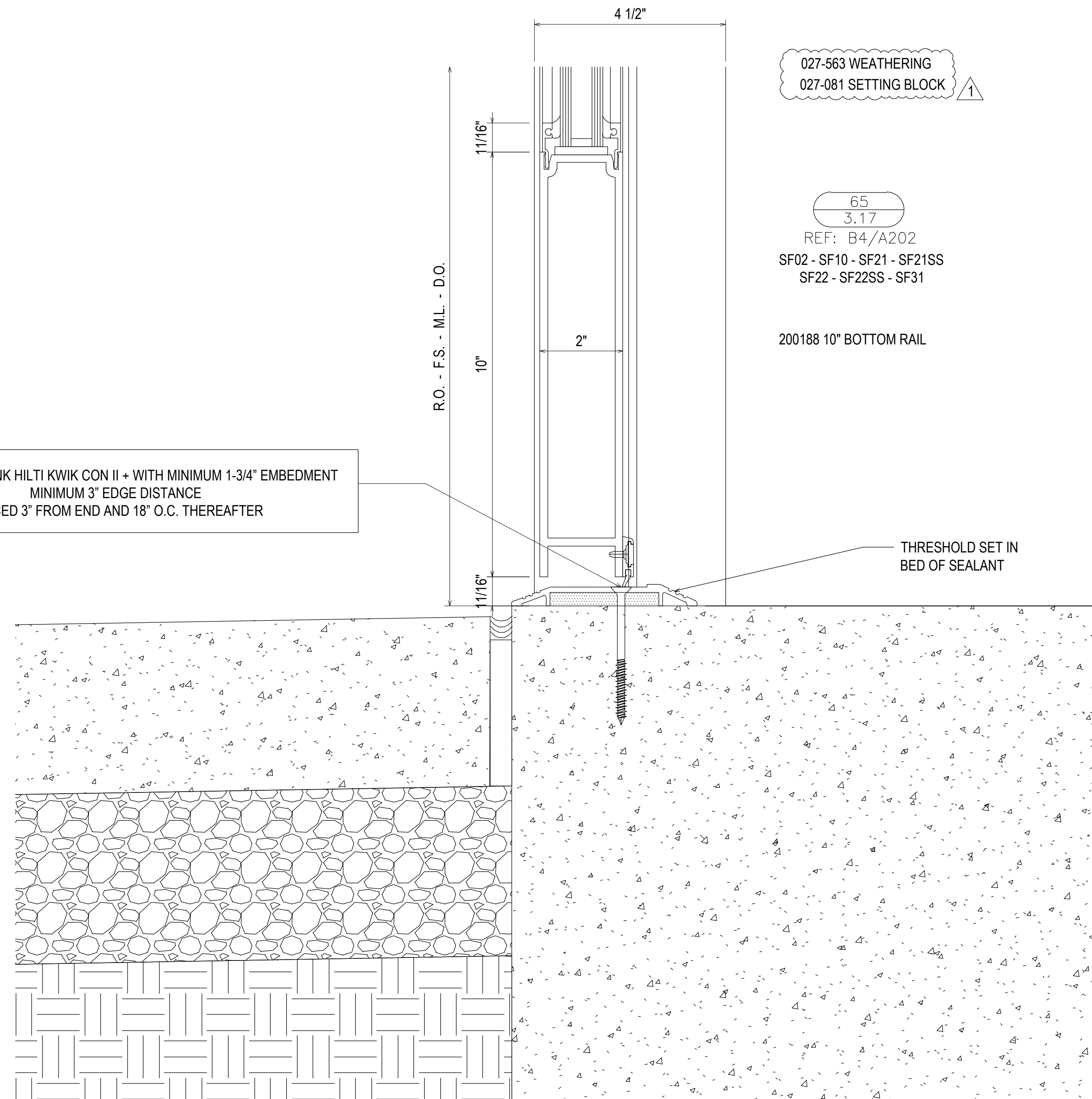


- 027-563 WEATHERING
027-081 SETTING BLOCK

200184 6" CROSS RAIL

64
3.17
REF: N/A
SF02 - SF10 - SF21 - SF21SS
SF22 - SF22SS - SF31

1/4" COUNTERSUNK HILTI KWIK CON II + WITH MINIMUM 1-3/4" EMBEDMENT
MINIMUM 3" EDGE DISTANCE
SPACED 3" FROM END AND 18" O.C. THEREAFTER



- 027-563 WEATHERING
027-081 SETTING BLOCK

65
3.17
REF: B4/A202
SF02 - SF10 - SF21 - SF21SS
SF22 - SF22SS - SF31

200188 10" BOTTOM RAIL

THRESHOLD SET IN
BED OF SEALANT

REV.	DESCRIPTION	DATE
1	1ST REVISION (RA)	06.19.21
2	2ND REVISION (ENGINEERING)	06.08.21
3	3RD REVISION (BULLET RESISTANT)	08.03.21
NO	DESCRIPTION	

BETHEL HANBERRY ELEMENTARY SCHOOL
EXTERIOR SUBMITTAL
125 BONEY ROAD, BLYTHEWOOD, SC 29016

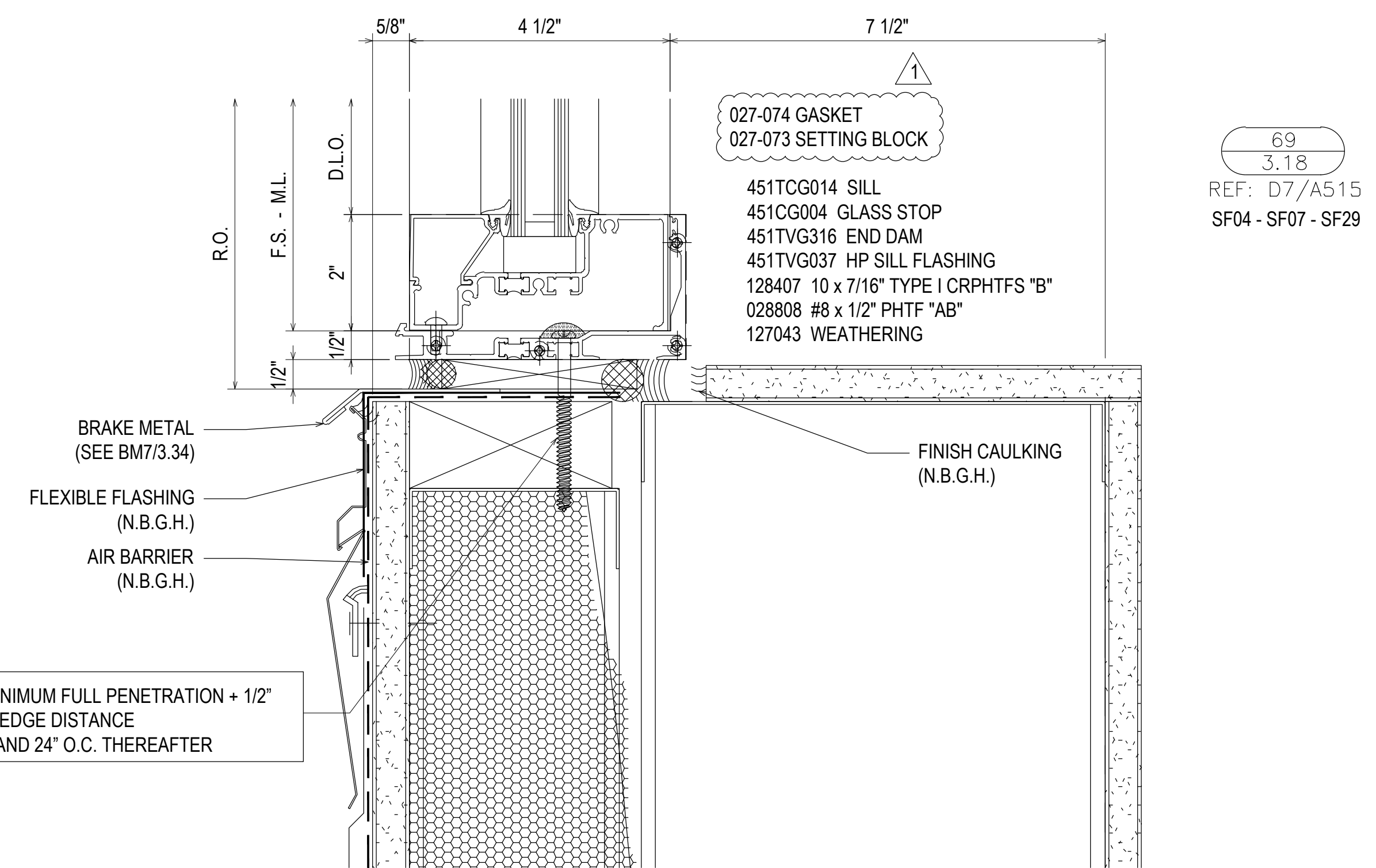
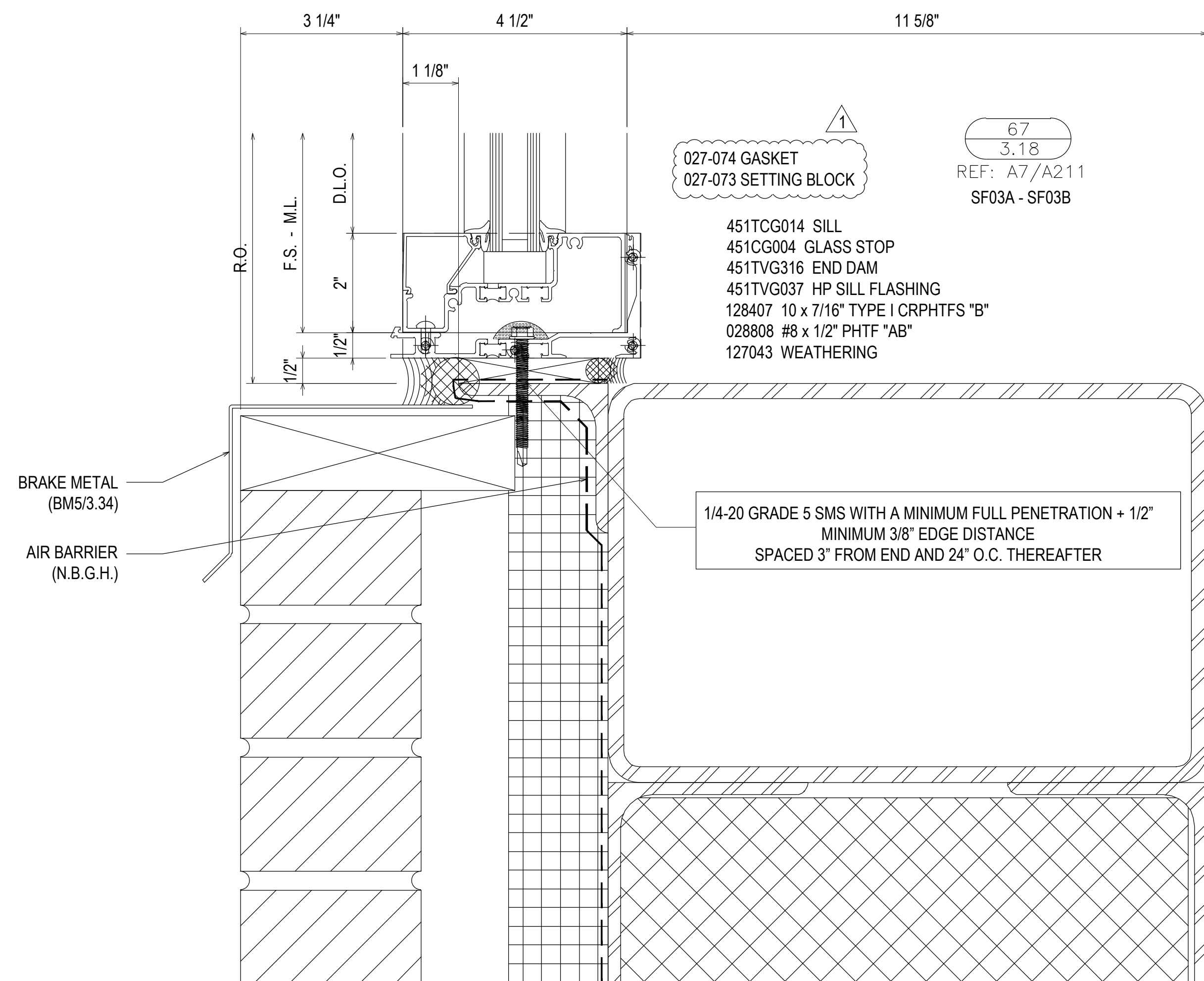
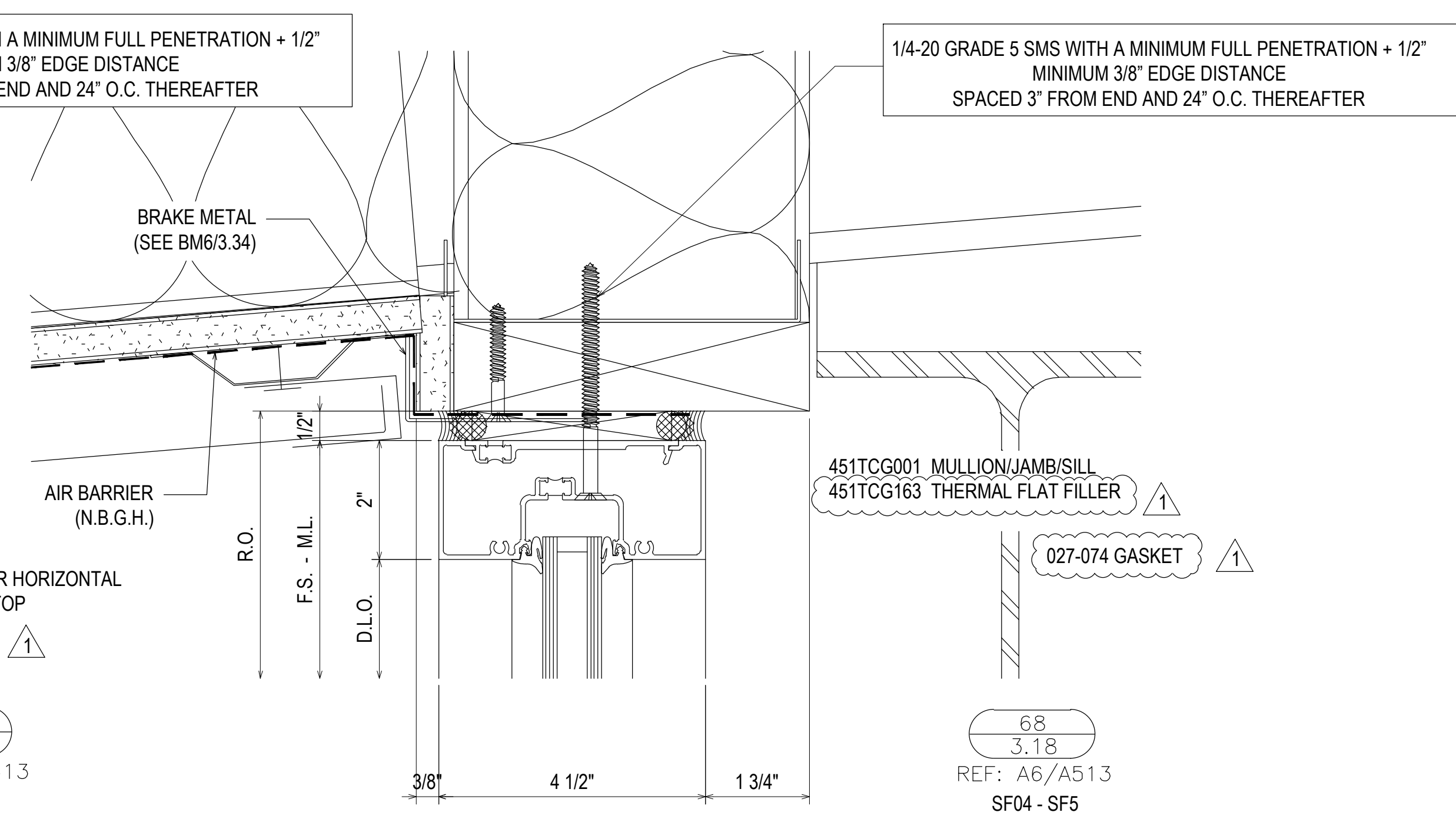
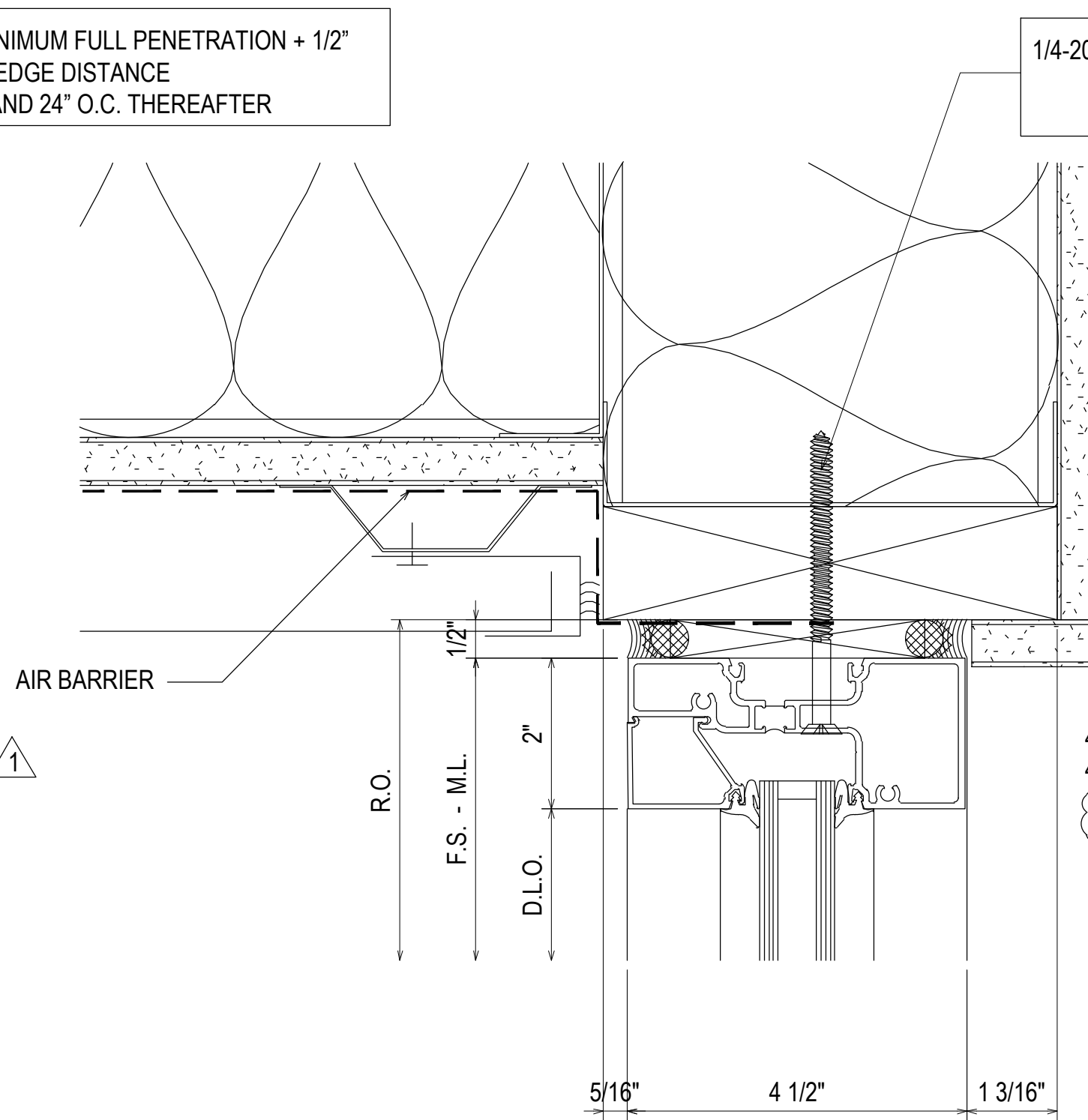
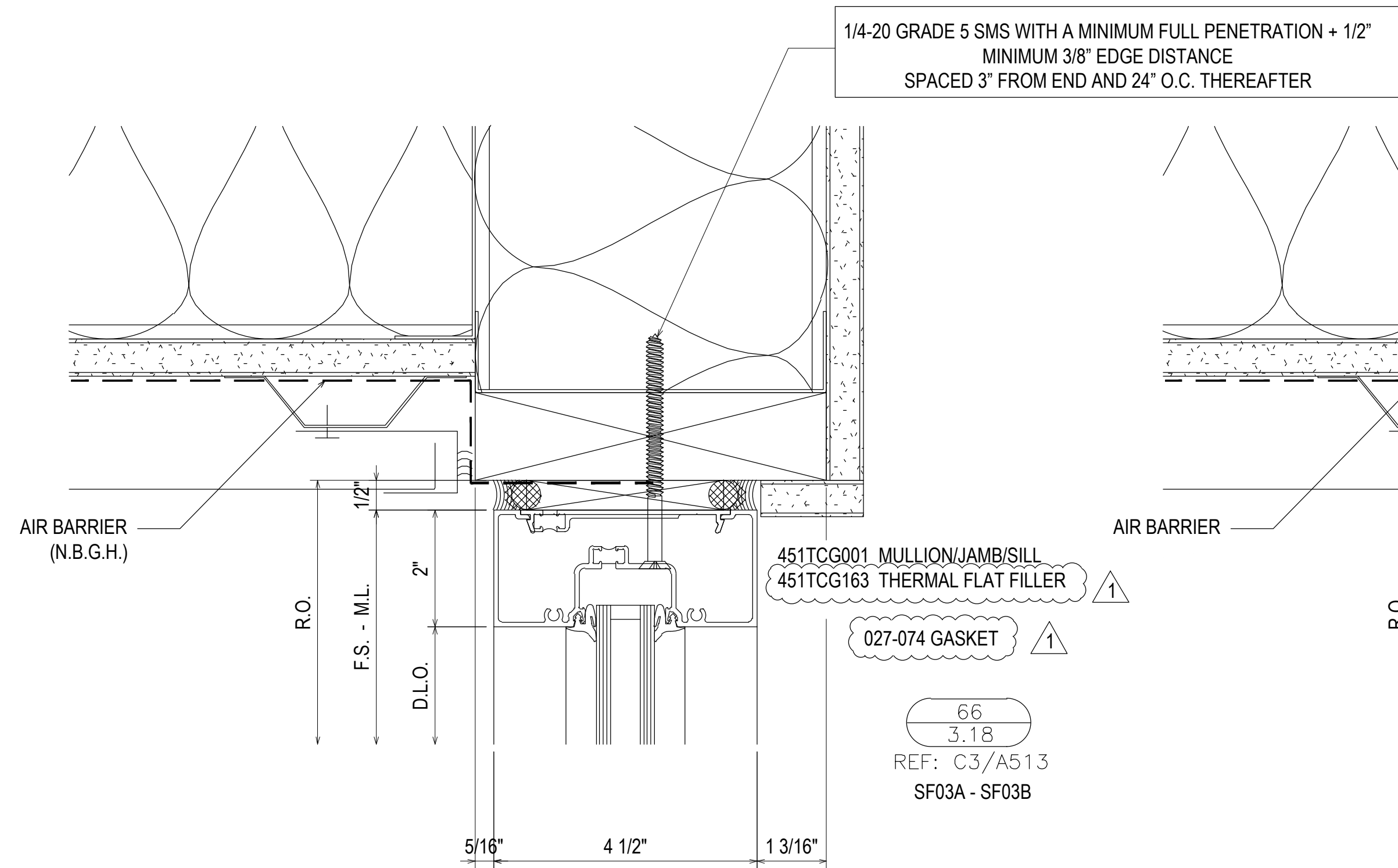


JOB #
20-018

DRAWN BY:	DATE:
RA	04.23.21
CHECKED BY:	DATE:
EW	04.23.21

3.17

DRAWING SUBMISSION

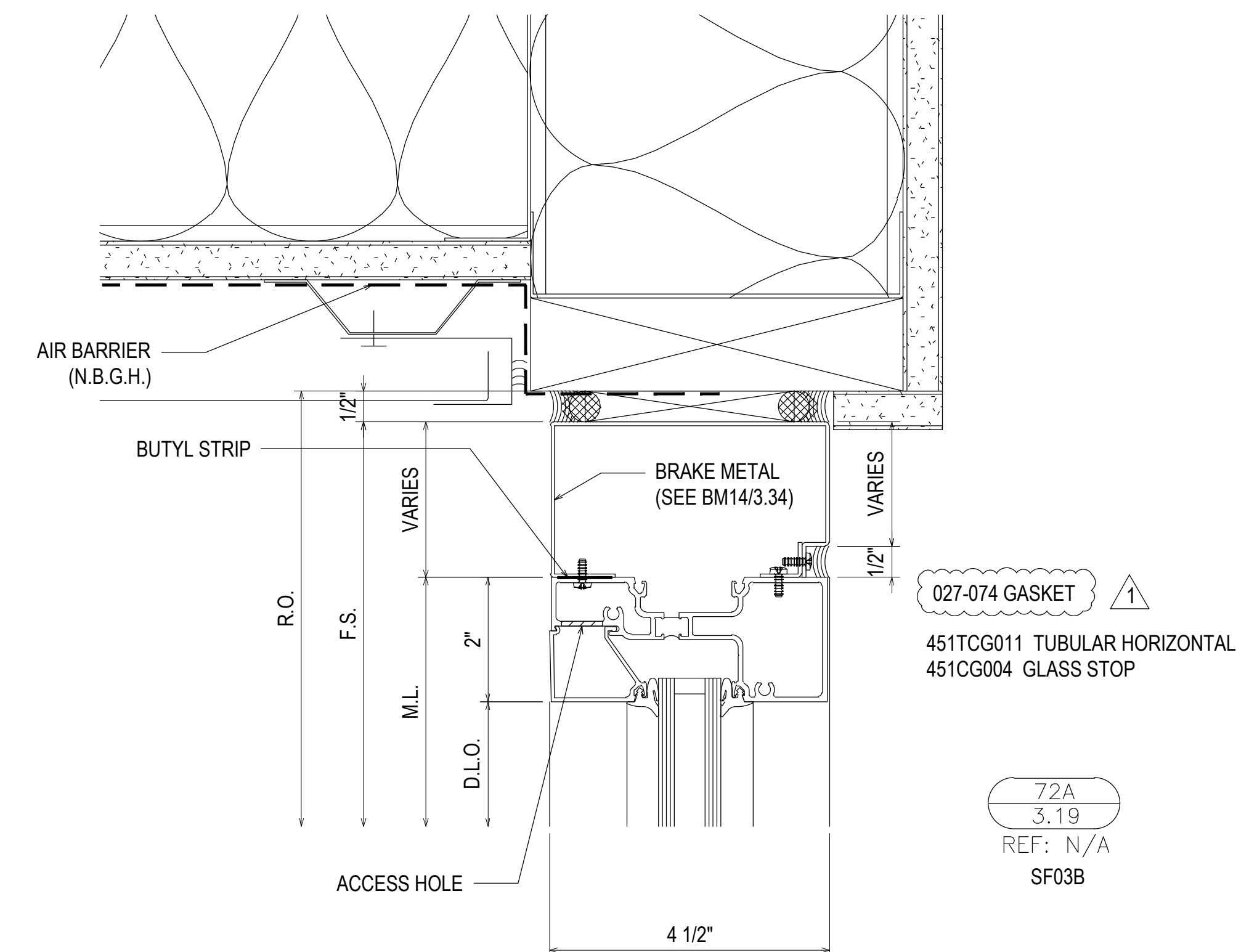
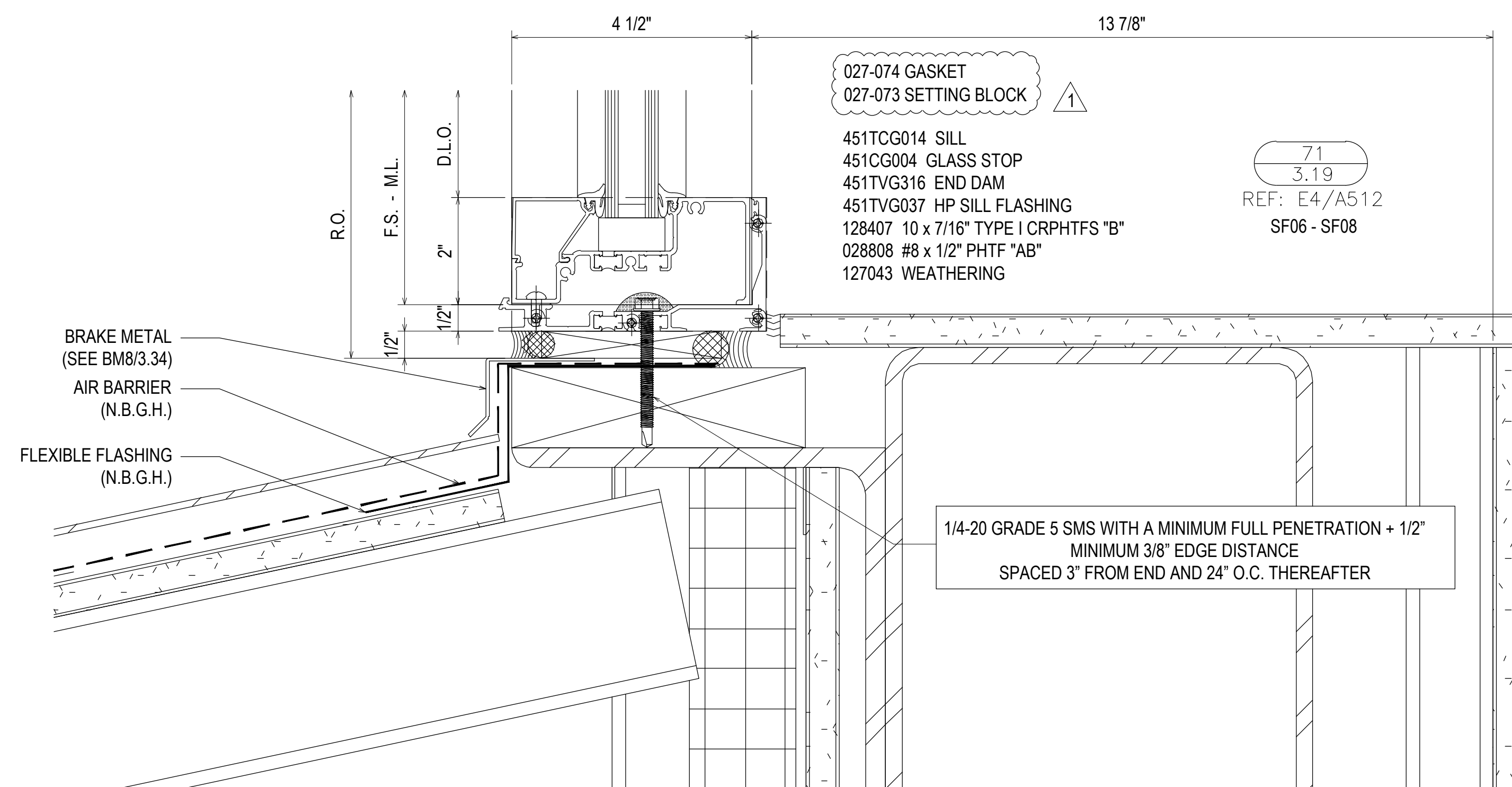
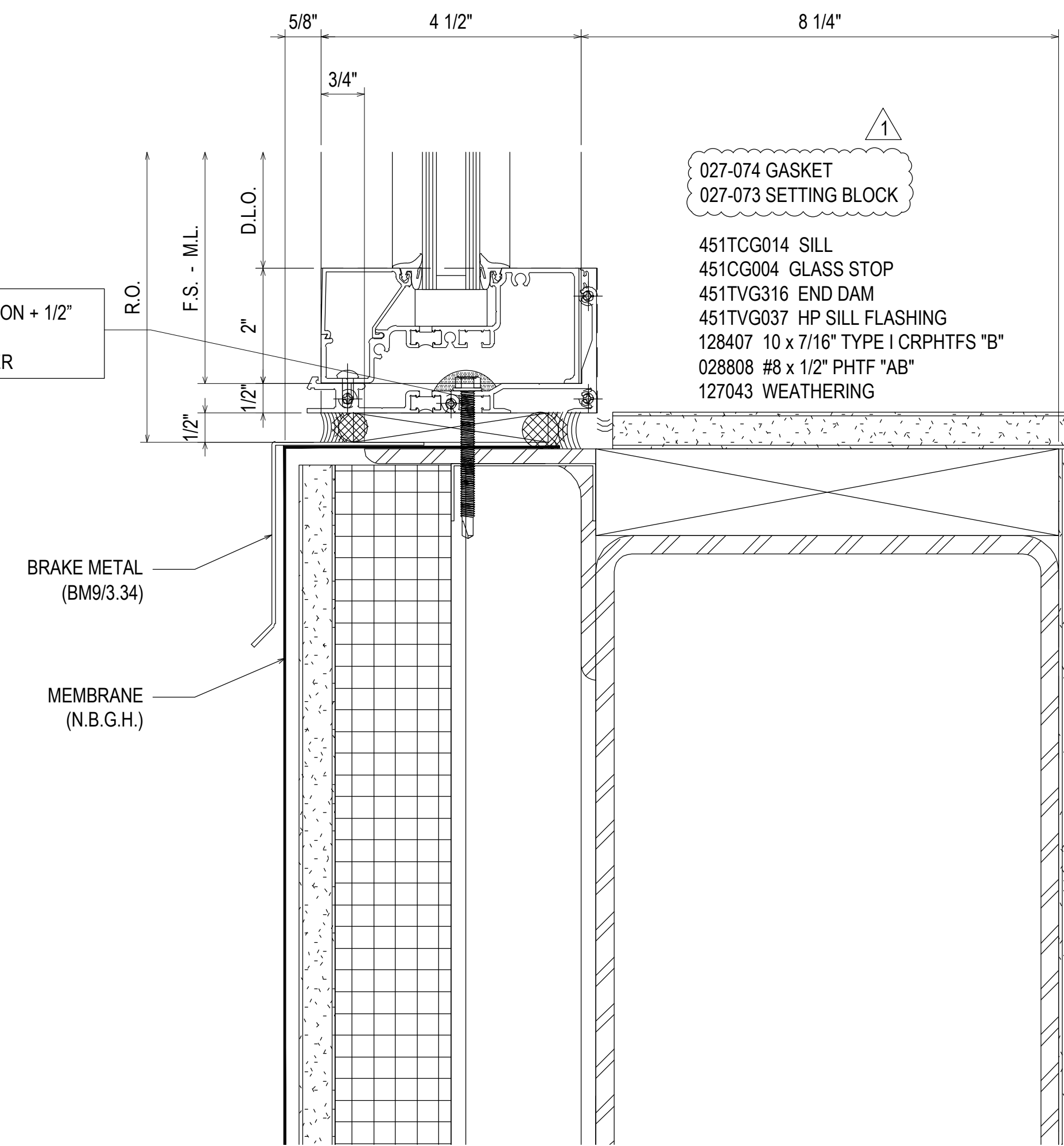
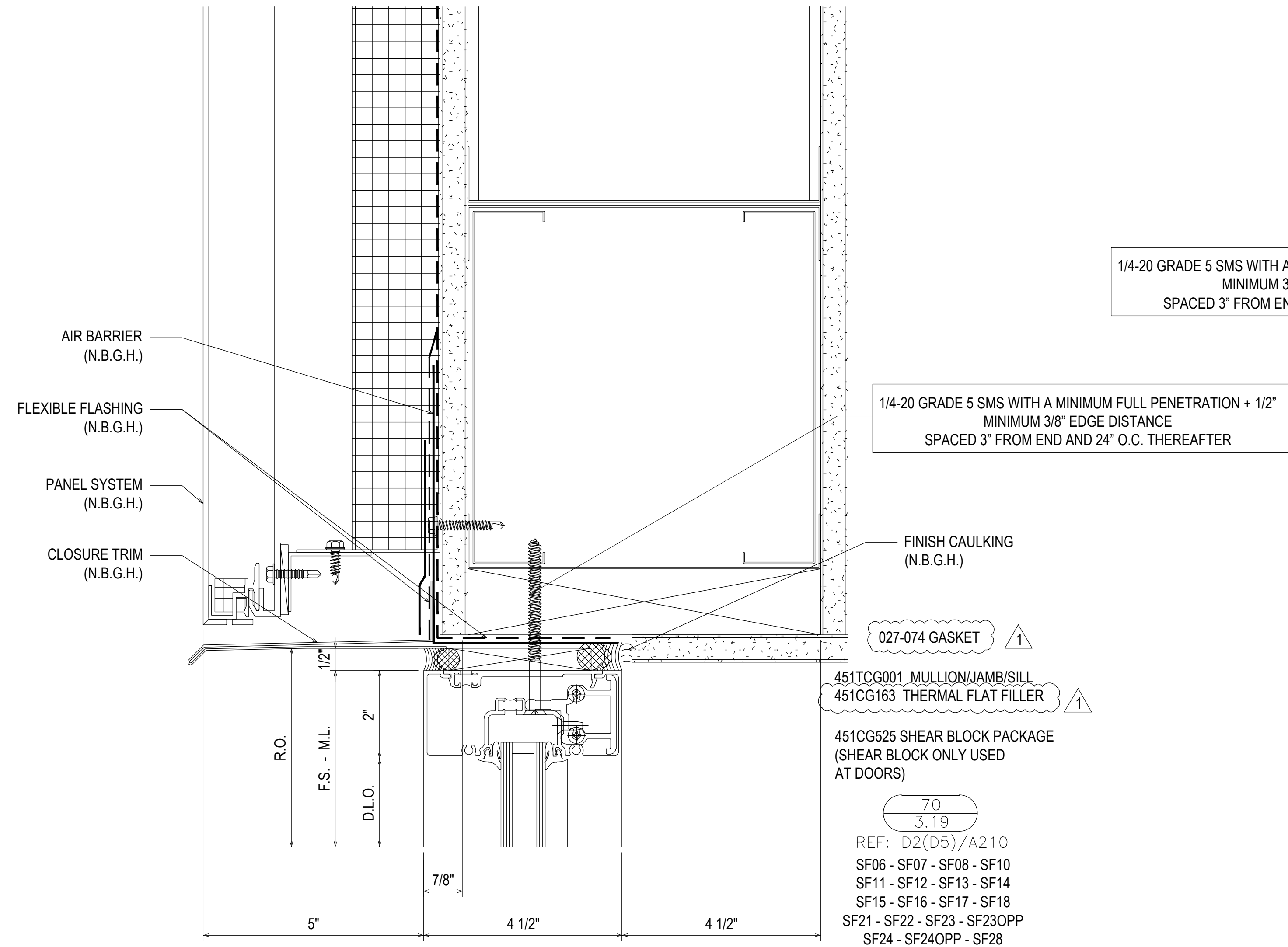


REV.	DESCRIPTION	DATE
1	1ST REVISION (RA)	06.19.21
2	2ND REVISION (ENGINEERING)	06.08.21
3	3RD REVISION (MULLION RESISTANT)	08.03.21
NO	DESCRIPTION	

BETHEL HANBERRY ELEMENTARY SCHOOL
EXTERIOR SUBMITTAL
 125 BONEY ROAD, BLYTHEWOOD, SC 29016

GRAHAM-HODGE
 ASSOCIATES INC.

JOB #	
20-018	
DRAWN BY:	DATE:
RA	04.23.21
CHECKED BY:	DATE:
EW	04.23.21



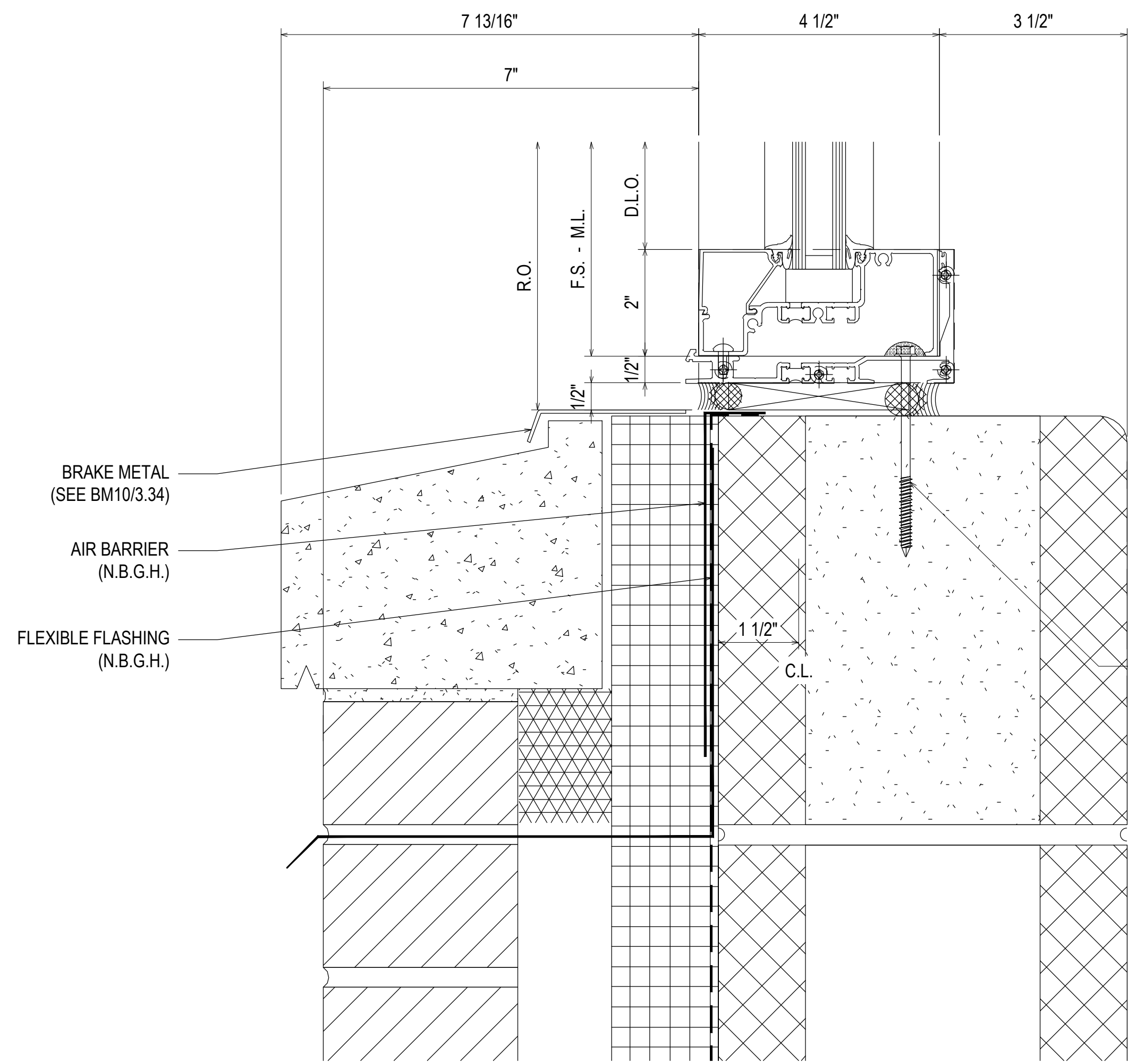
REV	DESCRIPTION	DATE
1	1ST REVISION (RA)	06.19.21
2	2ND REVISION (ENGINEERING)	06.08.21
3	3RD REVISION (BULLET RESISTANT)	08.03.21
NO	DESCRIPTION	

BETHEL HANBERRY ELEMENTARY SCHOOL
 EXTERIOR SUBMITTAL
 125 BONEY ROAD, BLYTHEWOOD, SC 29016

GRAHAM-HODGE
 ASSOCIATES INC.

JOB #
 20-018

DRAWN BY:	DATE:
RA	04.23.21
CHECKED BY:	DATE:
EW	04.23.21



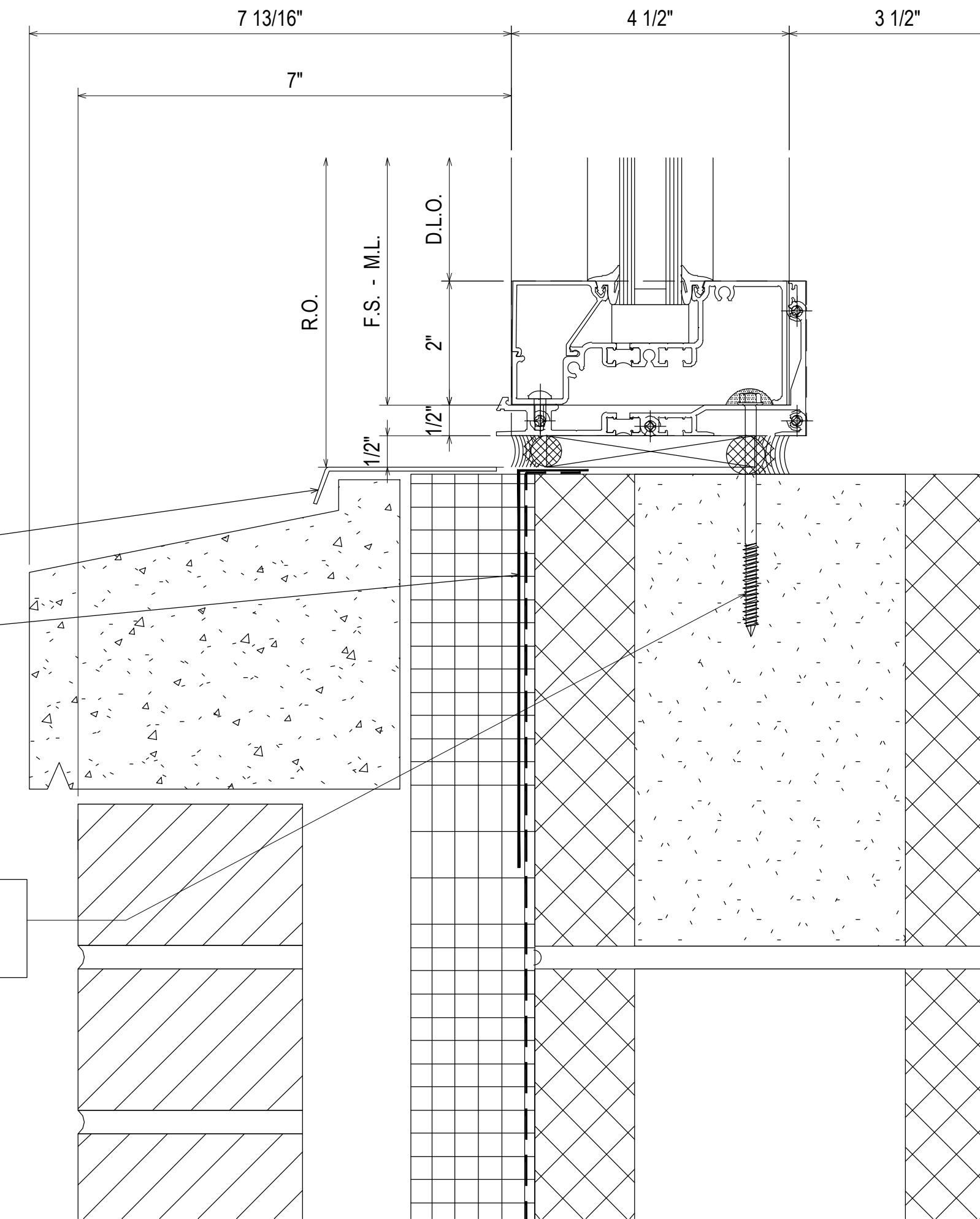
73
3.20
REF: A4/A210
SF11

- 451TCG014 SILL
- 451CG004 GLASS STOP
- 451TVG316 END DAM
- 451TVG037 HP SILL FLASHING
- 128407 10 x 7/16" TYPE I CRPHTFS "B"
- 028808 #8 x 1/2" PHTF "AB"
- 127043 WEATHERING

027-074 GASKET
027-073 SETTING BLOCK

1/4" HILTI KWIK CON II + WITH MINIMUM 1-3/4" EMBEDMENT
MINIMUM 3" EDGE DISTANCE
SPACED 3" FROM END AND 24" O.C. THEREAFTER

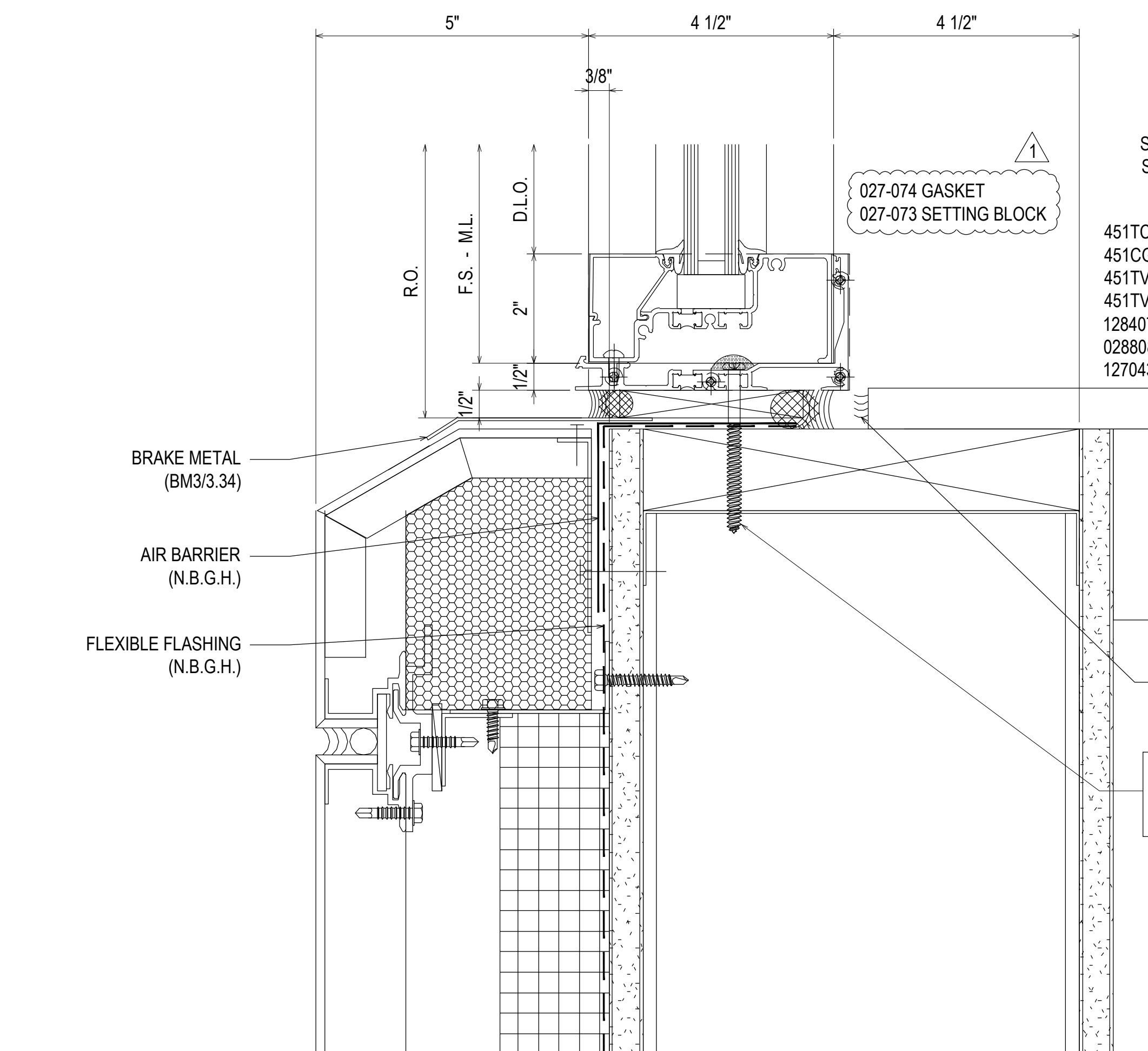
1/4" HILTI KWIK CON II + WITH MINIMUM 1-3/4" EMBEDMENT
MINIMUM 3" EDGE DISTANCE
SPACED 3" FROM END AND 24" O.C. THEREAFTER



75
3.20
REF: C5/A511
SF15

- 451TCG014 SILL
- 451CG004 GLASS STOP
- 451TVG316 END DAM
- 451TVG037 HP SILL FLASHING
- 128407 10 x 7/16" TYPE I CRPHTFS "B"
- 028808 #8 x 1/2" PHTF "AB"
- 127043 WEATHERING

027-074 GASKET
027-073 SETTING BLOCK



74
3.20
REF: B7/A211

- SF12 - SF13 - SF14 - SF23
- SF23SS - SF23OPP - SF23OPPPS
- SF24 - SF24OPP - SF25 - SF25SS
- SF26 - SF26SS - SF28

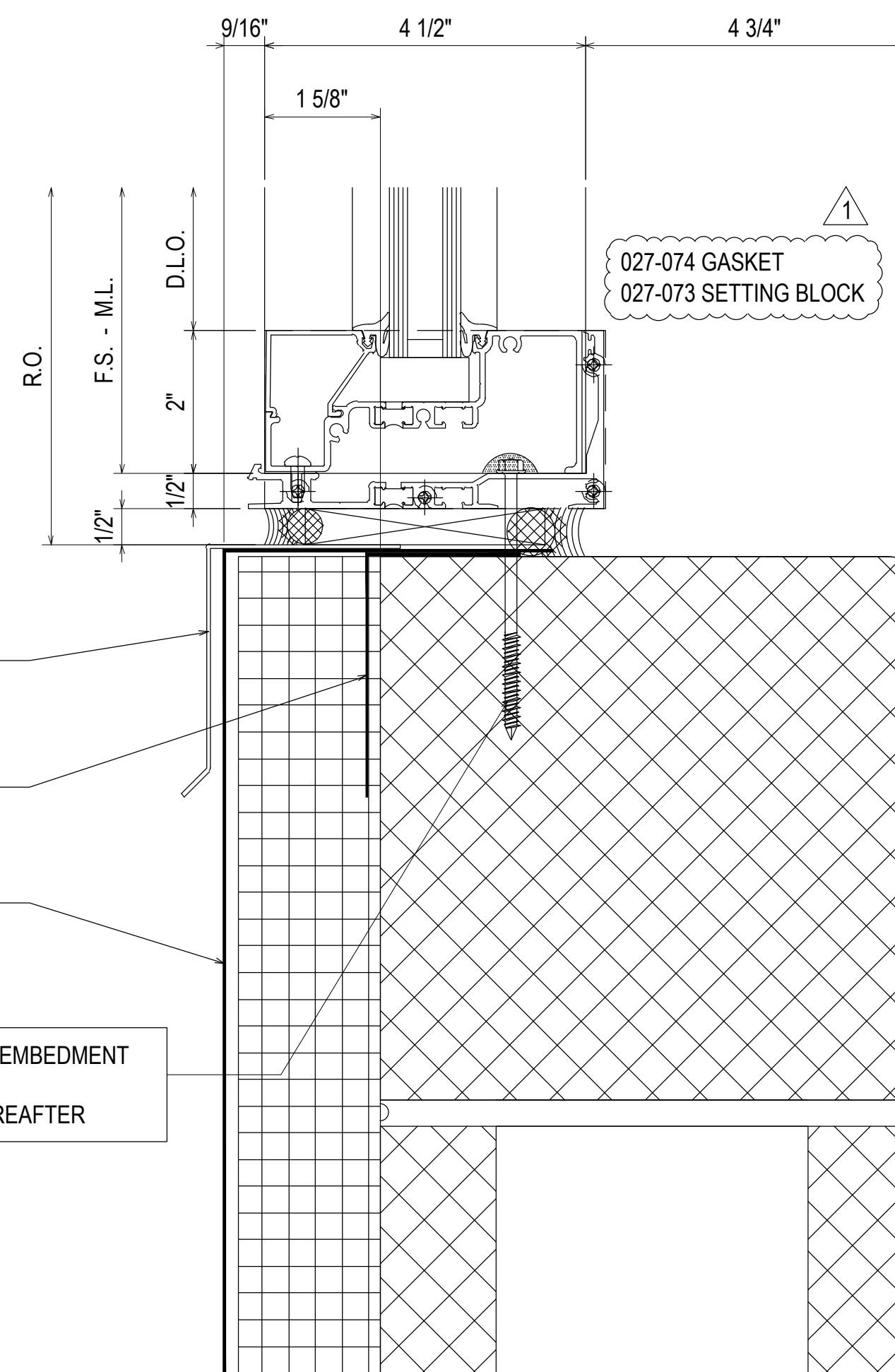
- 451TCG014 SILL
- 451CG004 GLASS STOP
- 451TVG316 END DAM
- 451TVG037 HP SILL FLASHING
- 128407 10 x 7/16" TYPE I CRPHTFS "B"
- 028808 #8 x 1/2" PHTF "AB"
- 127043 WEATHERING

027-074 GASKET
027-073 SETTING BLOCK

FINISH CAULKING
(N.B.G.H.)

1/4-20 GRADE 5 SMS WITH A MINIMUM FULL PENETRATION + 1/2"
MINIMUM 3/8" EDGE DISTANCE
SPACED 3" FROM END AND 24" O.C. THEREAFTER

1/4" HILTI KWIK CON II + WITH MINIMUM 1-3/4" EMBEDMENT
MINIMUM 3" EDGE DISTANCE
SPACED 3" FROM END AND 24" O.C. THEREAFTER



76
3.20
REF: D3/A211
SF16 - SF17 - SF18

- 451TCG014 SILL
- 451CG004 GLASS STOP
- 451TVG316 END DAM
- 451TVG037 HP SILL FLASHING
- 128407 10 x 7/16" TYPE I CRPHTFS "B"
- 028808 #8 x 1/2" PHTF "AB"
- 127043 WEATHERING

027-074 GASKET
027-073 SETTING BLOCK

BETHEL HANBERRY ELEMENTARY SCHOOL
EXTERIOR SUBMITTAL
125 BONEY ROAD, BLYTHEWOOD, SC 29016



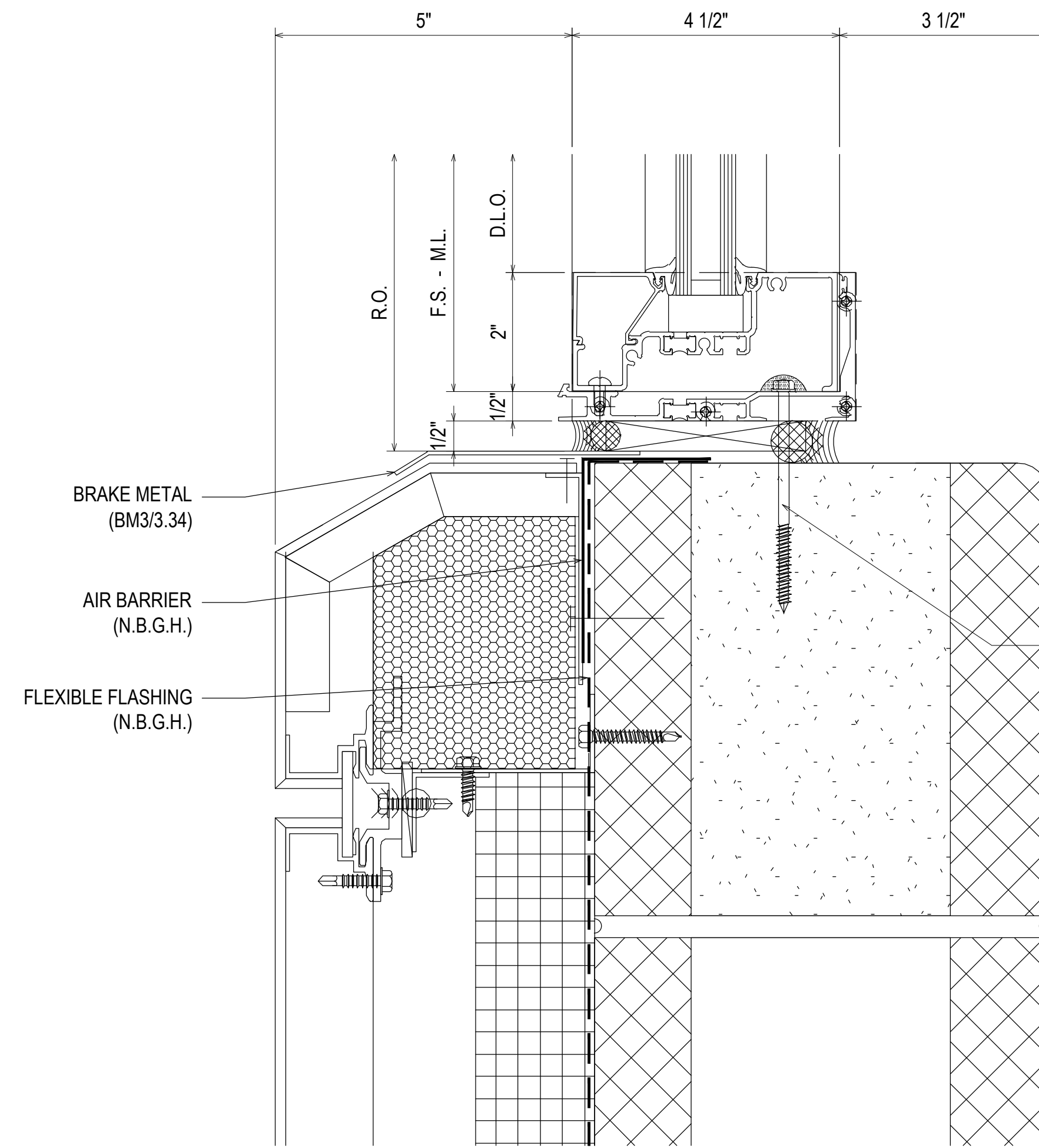
JOB #
20-018

DRAWN BY:	DATE:
RA	04.23.21
CHECKED BY:	DATE:
EW	04.23.21

3.20

REV	DESCRIPTION	DATE
1	1ST REVISION (RA)	06.19.21
2	2ND REVISION (ENGINEERING)	06.08.21
3	3RD REVISION (MILET RESISTANT)	08.03.21
NO	DESCRIPTION	

DRAWING SUBMISSION

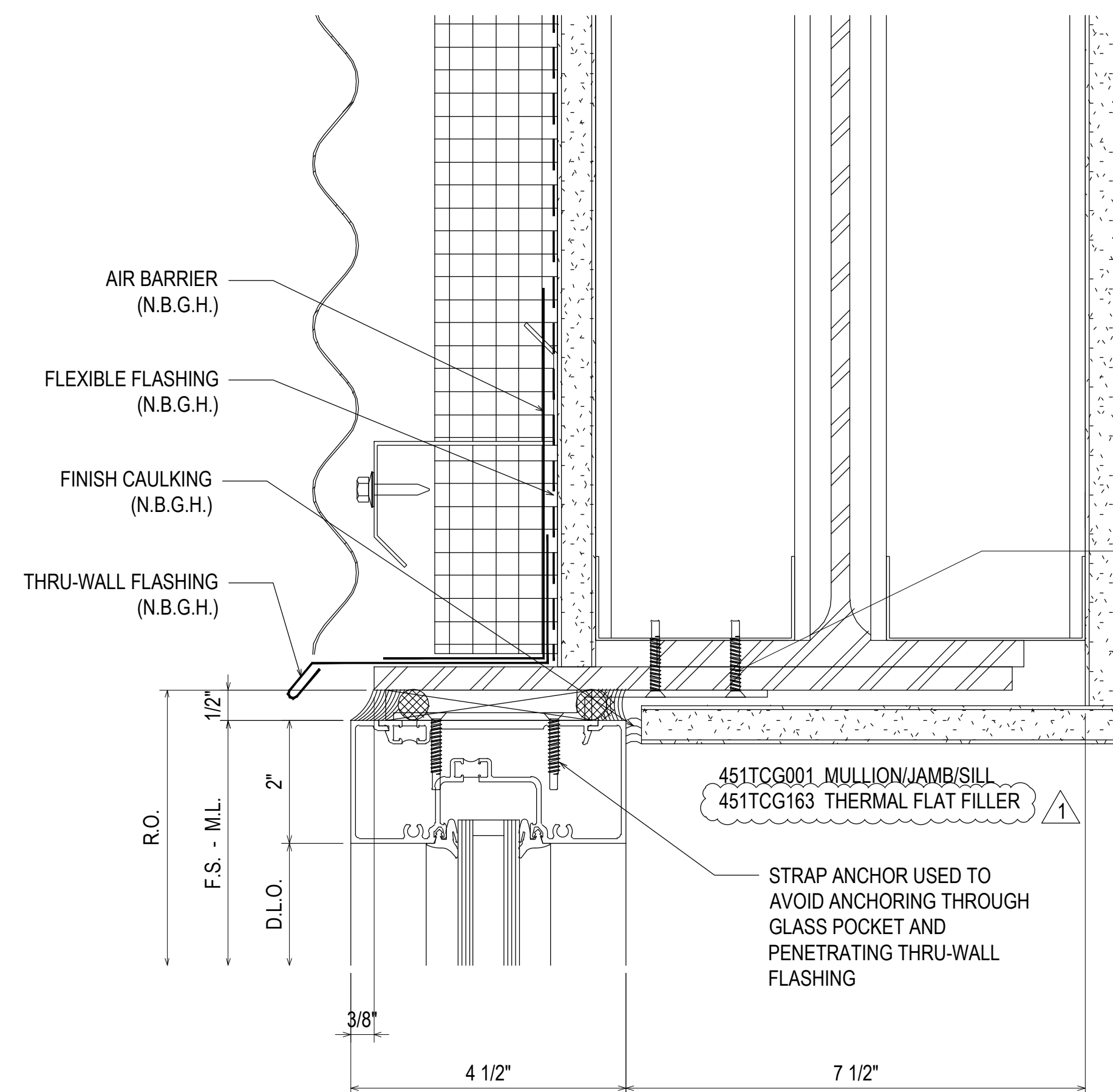


77
3.21
REF: E7/A211
NOT USED (USED TO BE SF17)

- 451TCG014 SILL
- 451CG004 GLASS STOP
- 451TVG316 END DAM
- 451TVG037 HP SILL FLASHING
- 128407 10 x 7/16" TYPE I CRPHFTS "B"
- 028808 #8 x 1/2" PHTF "AB"
- 127043 WEATHERING

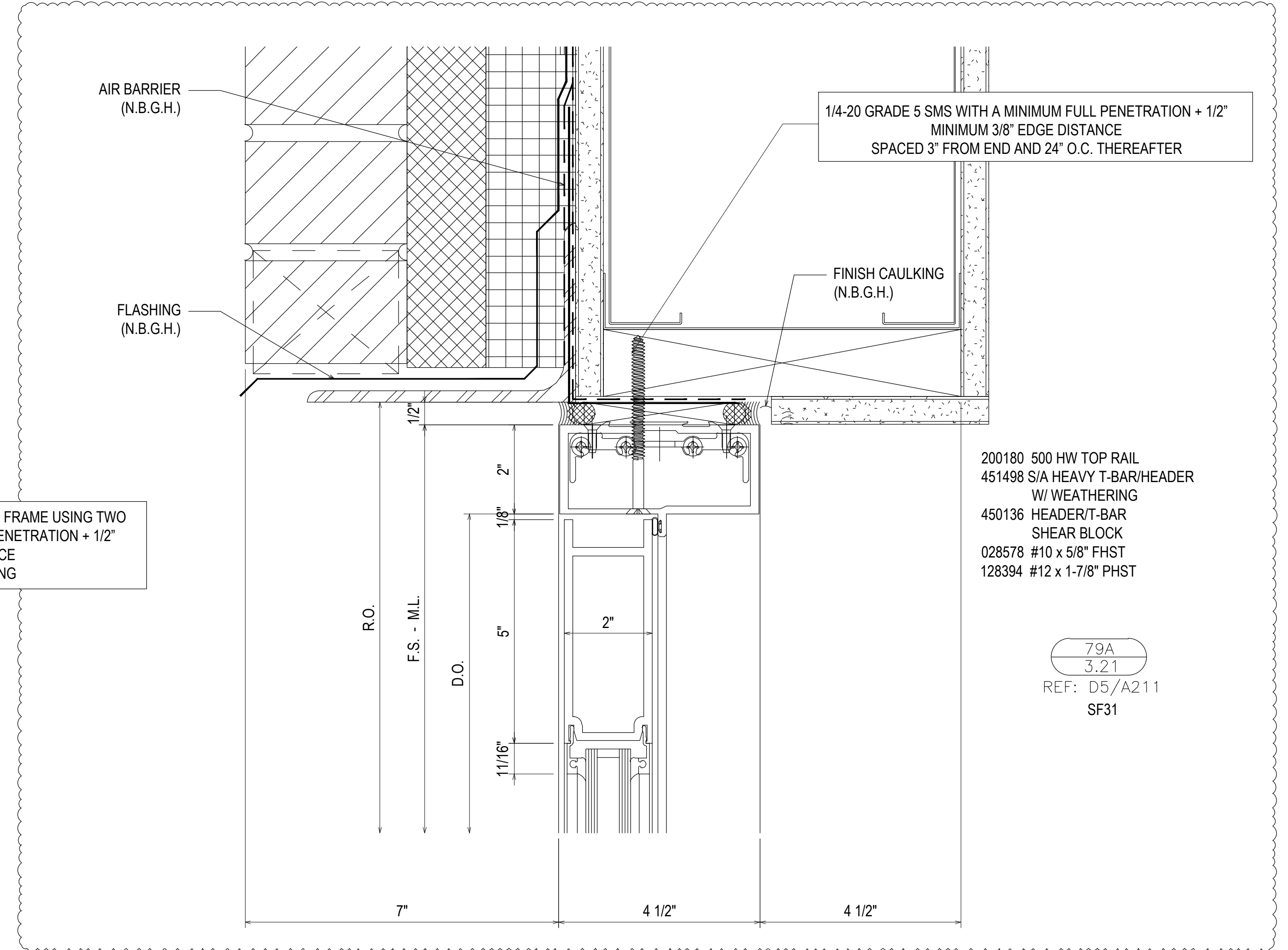
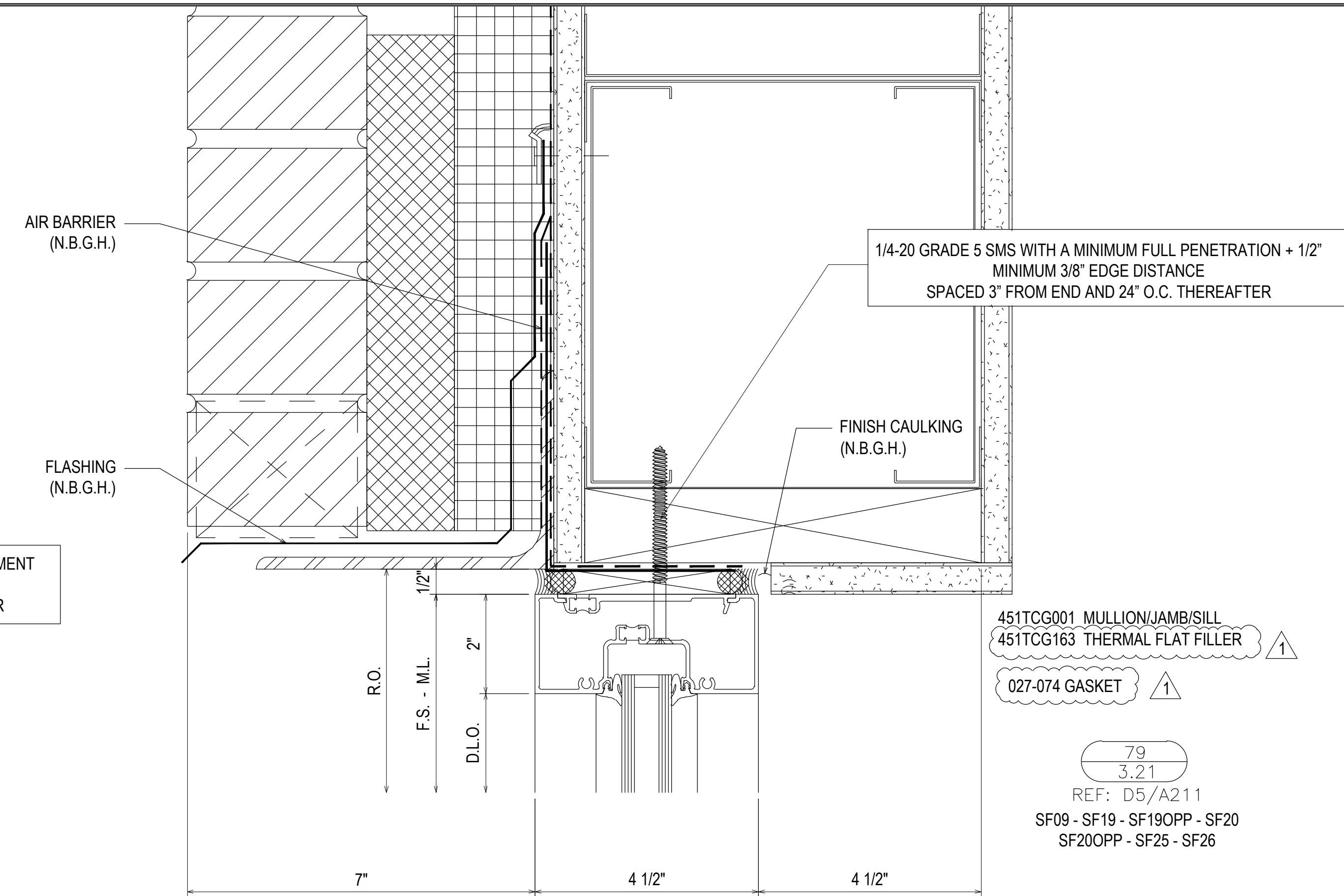
027-074 GASKET
027-073 SETTING BLOCK

1/4" HILTI KWIK CON II + WITH MINIMUM 1-3/4" EMBEDMENT
MINIMUM 3" EDGE DISTANCE
SPACED 3" FROM END AND 24" O.C. THEREAFTER



GLAZING CLIP SECURED TO SUBSTRATE AND FRAME USING TWO
1/4-20 GRADE 5 SMS WITH MINIMUM FULL PENETRATION + 1/2"
MINIMUM 3/8" EDGE DISTANCE
MINIMUM 1" ANCHOR SPACING

78
3.21
REF: B4/A211
SF29



REV.	DESCRIPTION	DATE
1	1ST REVISION (RA)	06.19.21
2	2ND REVISION (ENGINEERING)	06.03.21
3	3RD REVISION (MATERIAL RESISTANT)	06.03.21
NO	DESCRIPTION	

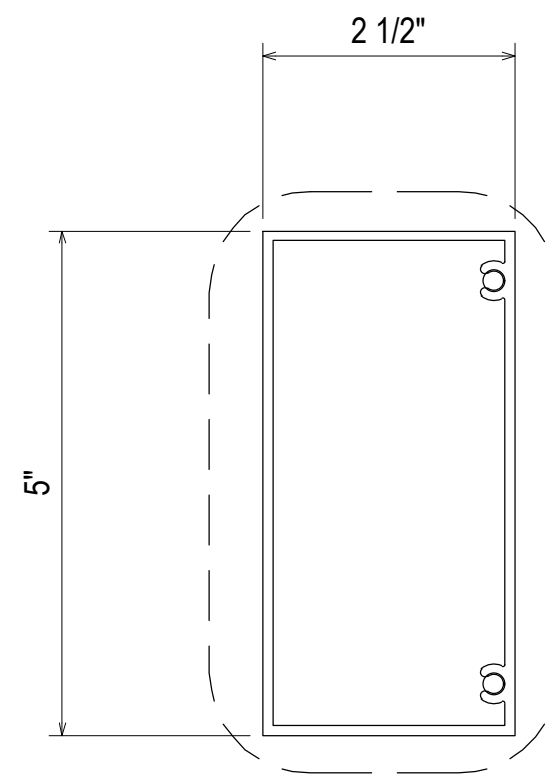
BETHEL HANBERRY ELEMENTARY SCHOOL
EXTERIOR SUBMITTAL
125 BONEY ROAD, BLYTHEWOOD, SC 29016



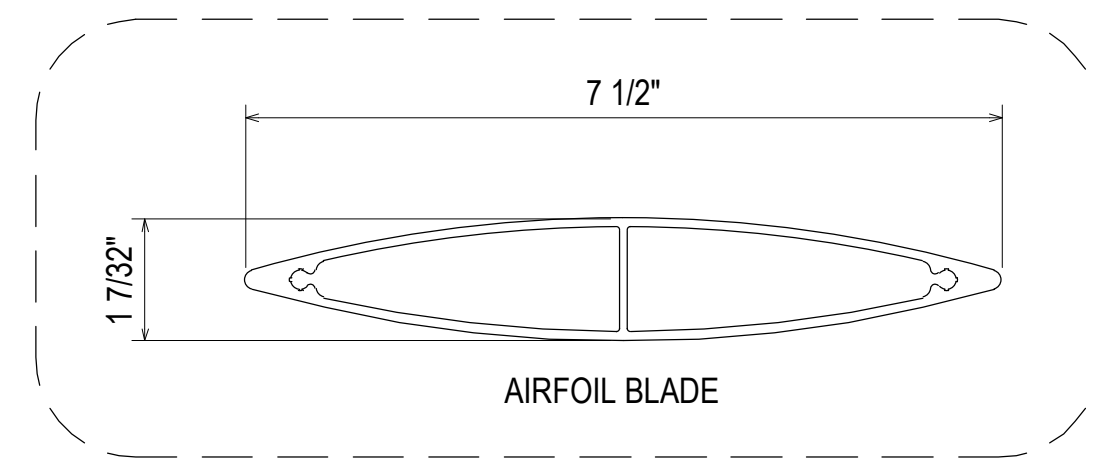
JOB #
20-018

DRAWN BY:	DATE:
RA	04.23.21
CHECKED BY:	DATE:
EW	04.23.21

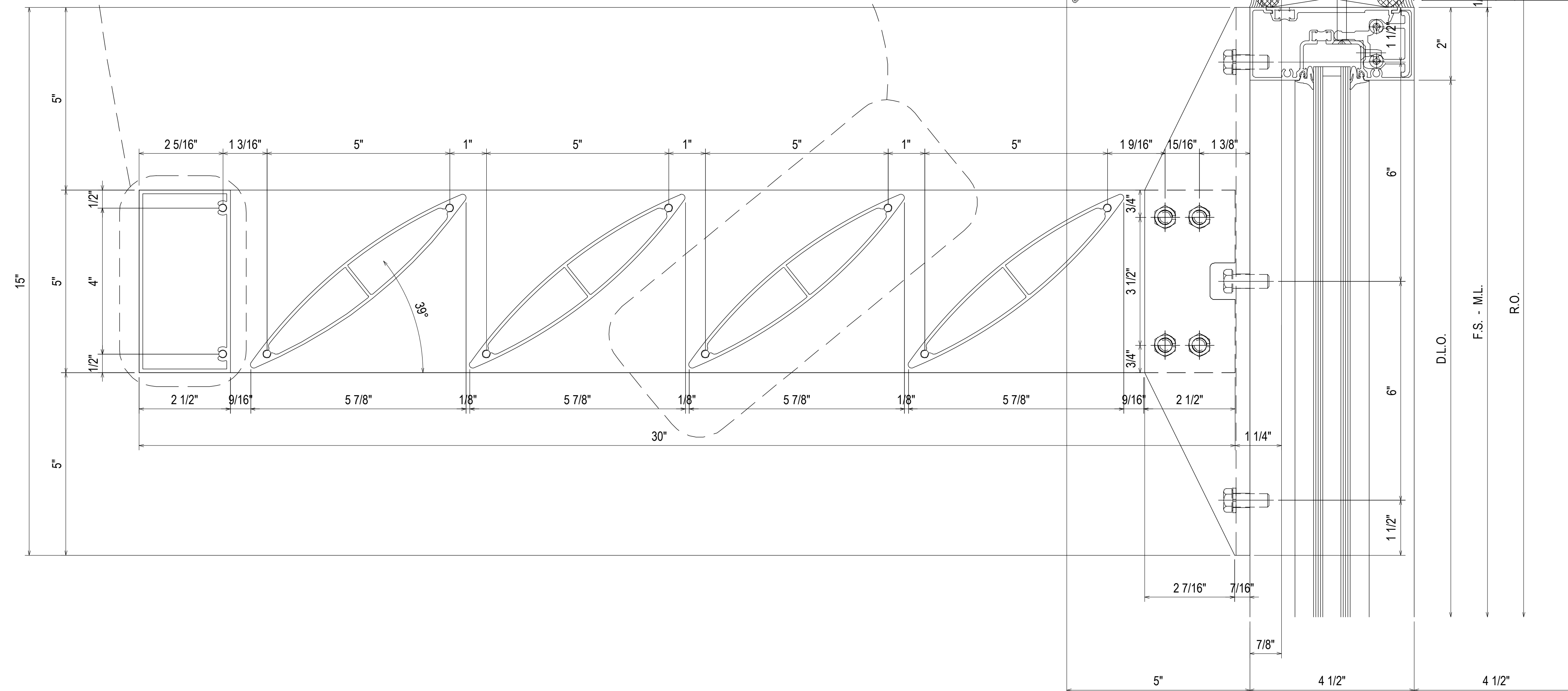
3.21



482064 RECTANGULAR FASCIA



AIRFOIL BLADE



- AIR BARRIER (N.B.G.H.)
- FLEXIBLE FLASHING (N.B.G.H.)
- PANEL SYSTEM (N.B.G.H.)
- CLOSURE TRIM (N.B.G.H.)

1/4-20 GRADE 5 SMS WITH A MINIMUM FULL PENETRATION + 1/2" MINIMUM 3/8" EDGE DISTANCE SPACED 3" FROM END AND 24" O.C. THEREAFTER

FINISH CAULKING (N.B.G.H.)

027-074 GASKET
 451TCG001 MULLION/JAMB/SILL
 451TCG163 THERMAL FLAT FILLER

451CG525 SHEAR BLOCK PACKAGE (SHEAR BLOCK ONLY USED AT DOORS)

- 128539 3/8-16 X 2" HHMS
- 028780 3/8-16 NUT
- 128963 3/8-24 X 1" HHMS
- 028596 3/8 NARROW WASHER
- 028779 3/8 LOCK WASHER
- 482251 LONG ANCHOR
- 494201 ANCHOR CLIP FILLER
- 494390 ANCHOR CLIP
- 128207 1/4-20 X 5/8" FHMS

482064 RECTANGULAR FASCIA

80
 3.22
 REF: D2(D5)/A210
 SF21SS - SF22SS - SF23SS - SF23OPSS

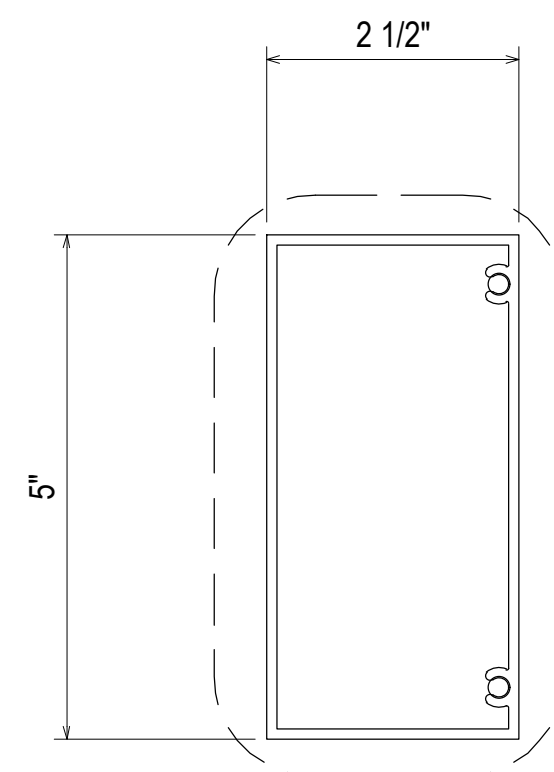
REV.	DESCRIPTION	DATE
1	1ST REVISION (RA)	06.19.21
2	2ND REVISION (ENGINEERING)	06.08.21
3	3RD REVISION (BULLET RESISTANT)	08.03.21
NO	DESCRIPTION	

BETHEL HANBERRY ELEMENTARY SCHOOL
 EXTERIOR SUBMITTAL
 125 BONEY ROAD, BLYTHEWOOD, SC 29016

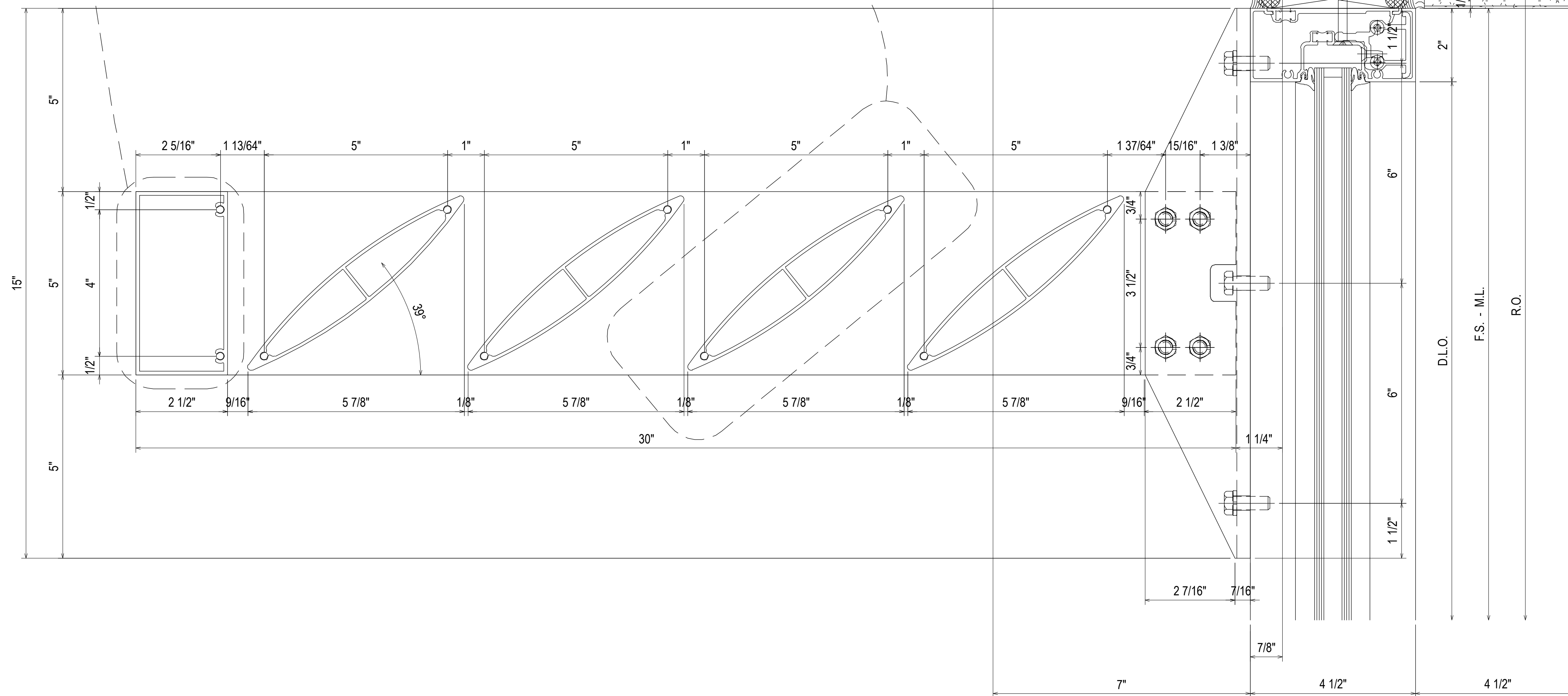
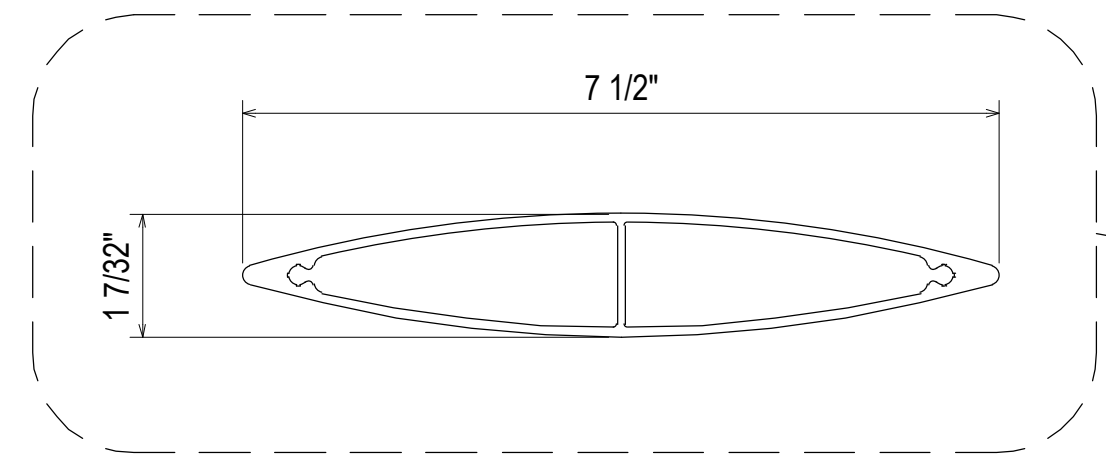


JOB #
 20-018

DRAWN BY:	DATE:
RA	04.23.21
CHECKED BY:	DATE:
EW	04.23.21



482064 RECTANGULAR FASCIA



AIR BARRIER (N.B.G.H.)

FLASHING (N.B.G.H.)

FINISH CAULKING (N.B.G.H.)

1/4-20 GRADE 5 SMS WITH A MINIMUM FULL PENETRATION + 1/2" MINIMUM 3/8" EDGE DISTANCE SPACED 3" FROM END AND 24" O.C. THEREAFTER

451TCG001 MULLION/JAMB/SILL
451TCG163 THERMAL FLAT FILLER

027-074 GASKET

- 128539 3/8-16 X 2" HHMS
- 028780 3/8-16 NUT
- 128963 3/8-24 X 1" HHMS
- 028596 3/8 NARROW WASHER
- 028779 3/8 LOCK WASHER
- 482251 LONG ANCHOR
- 494201 ANCHOR CLIP FILLER
- 494390 ANCHOR CLIP
- 128207 1/4-20 X 5/8" FHMS

81
3.23

REF: D5/A211
SF25SS - SF26SS

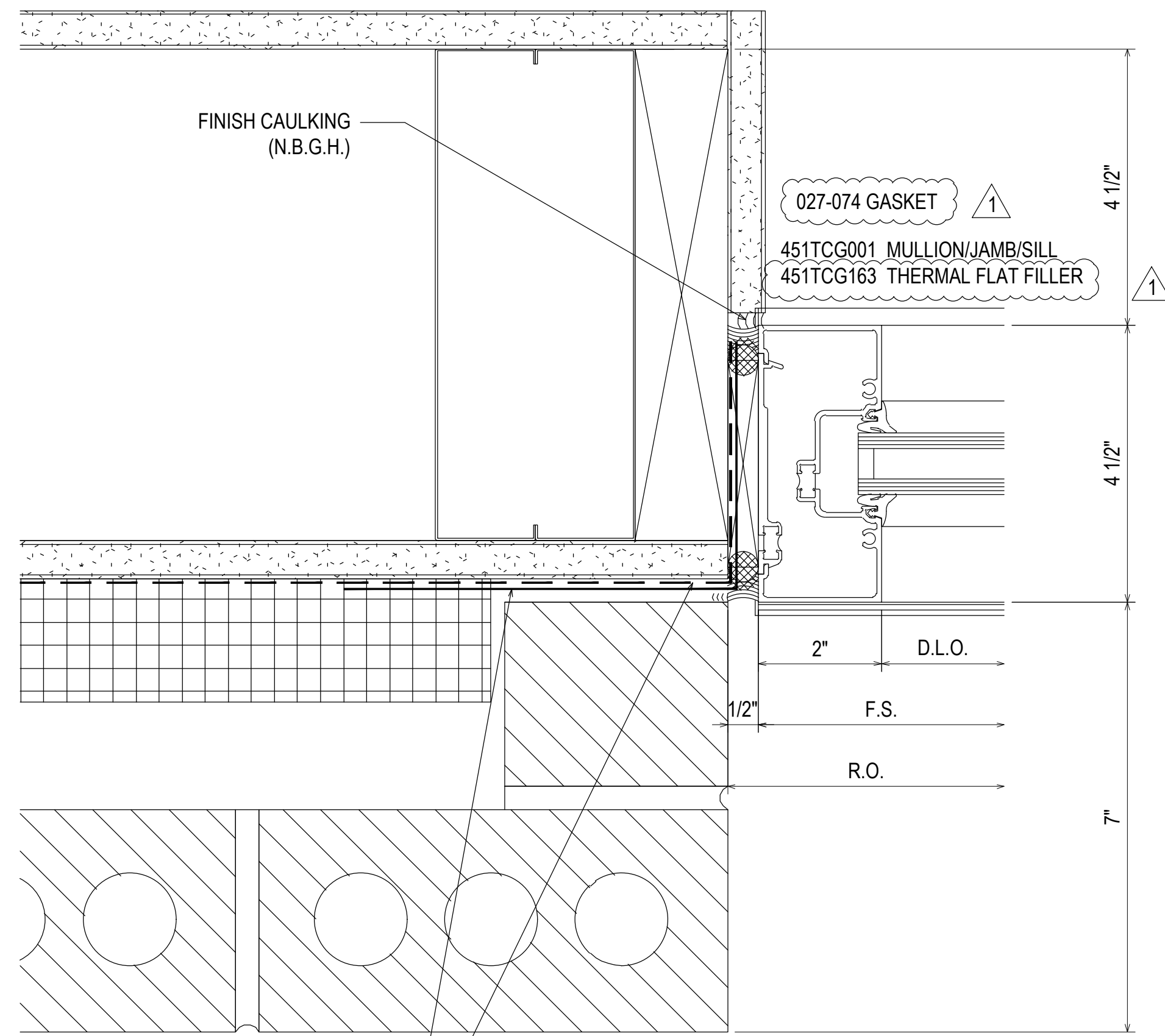
REV.	DESCRIPTION	DATE
1	1ST REVISION (RA)	06.18.21
2	2ND REVISION (ENGINEERING)	06.08.21
3	3RD REVISION (BULLET RESISTANT)	08.03.21
NO	DESCRIPTION	

BETHEL HANBERRY ELEMENTARY SCHOOL
EXTERIOR SUBMITTAL
125 BONEY ROAD, BLYTHEWOOD, SC 29016



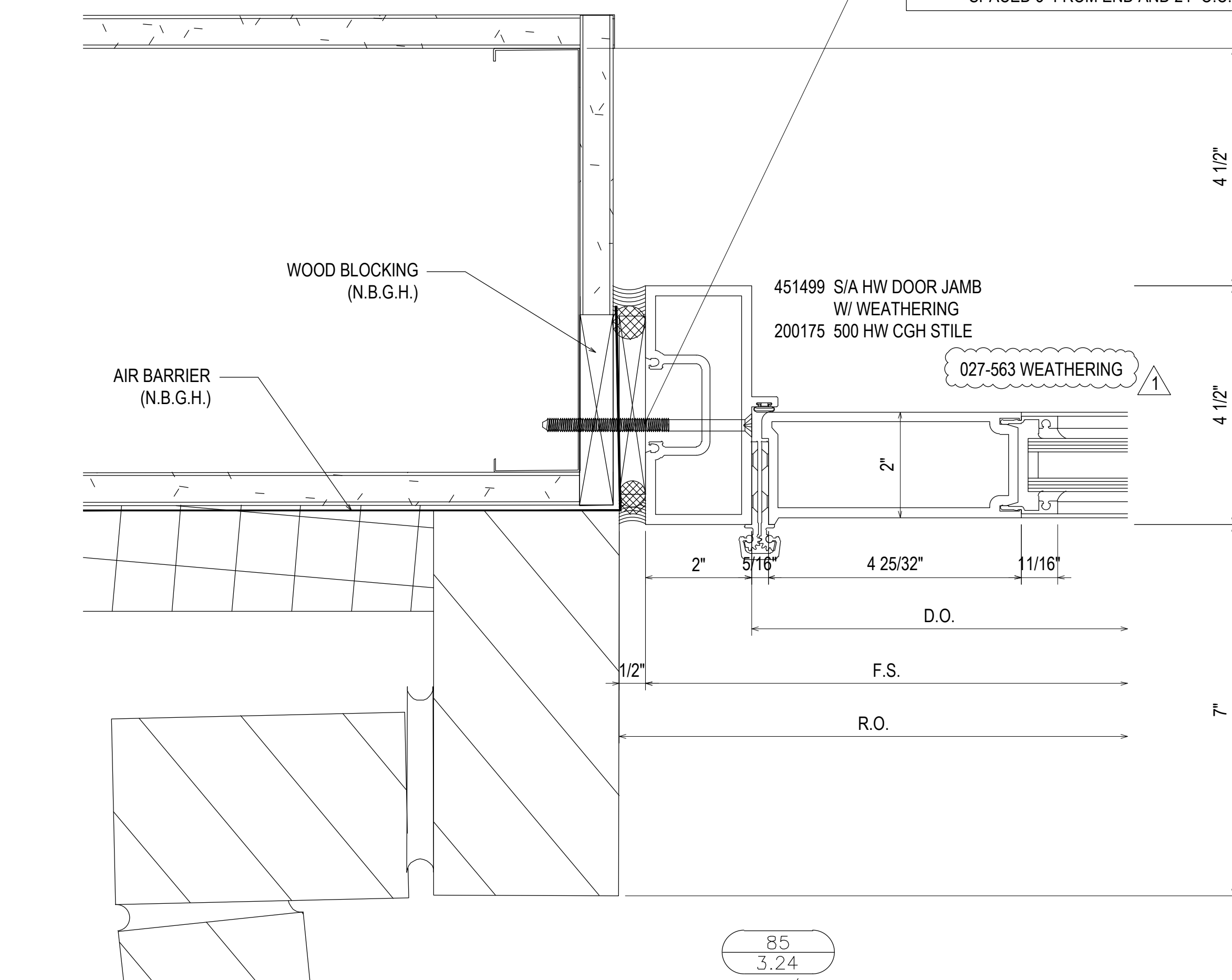
JOB #
20-018

DRAWN BY:	DATE:
RA	04.23.21
CHECKED BY:	DATE:
EW	04.23.21

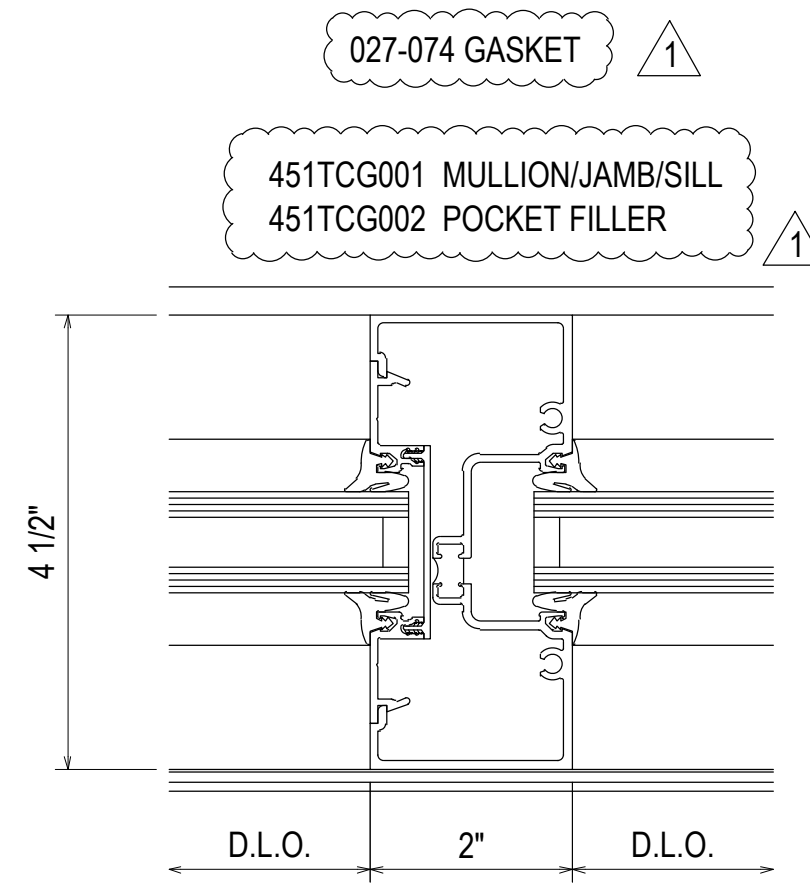


82
3.24
REF: D7/A210
SF01 - SF01OPP - SF09 - SF10
SF19 - SF20OPP - SF21 - SF25
SF26 - SF30

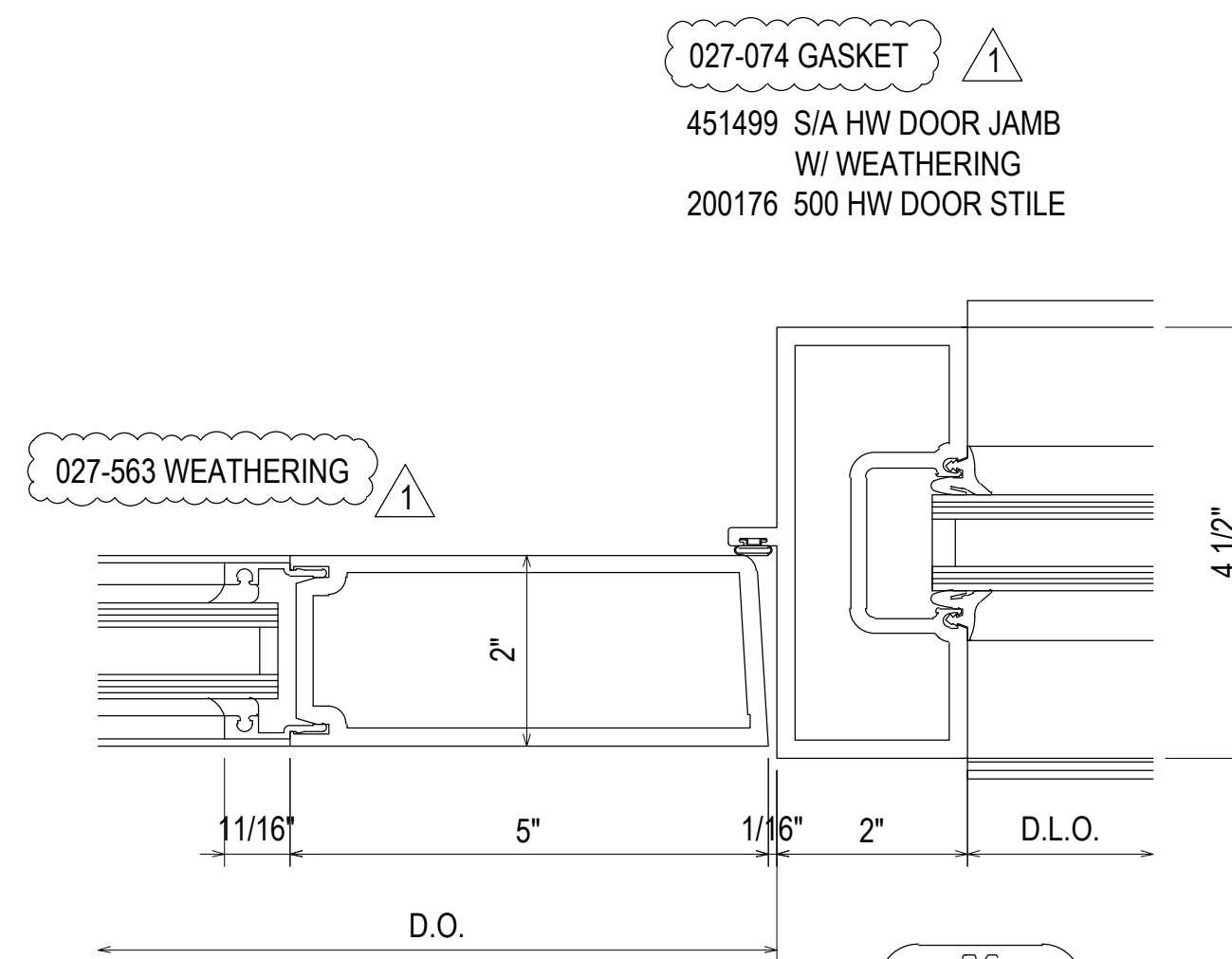
1/4-20 GRADE 5 SMS WITH A MINIMUM FULL PENETRATION + 1/2"
MINIMUM 3/8" EDGE DISTANCE
SPACED 3" FROM END AND 24" O.C. THEREAFTER



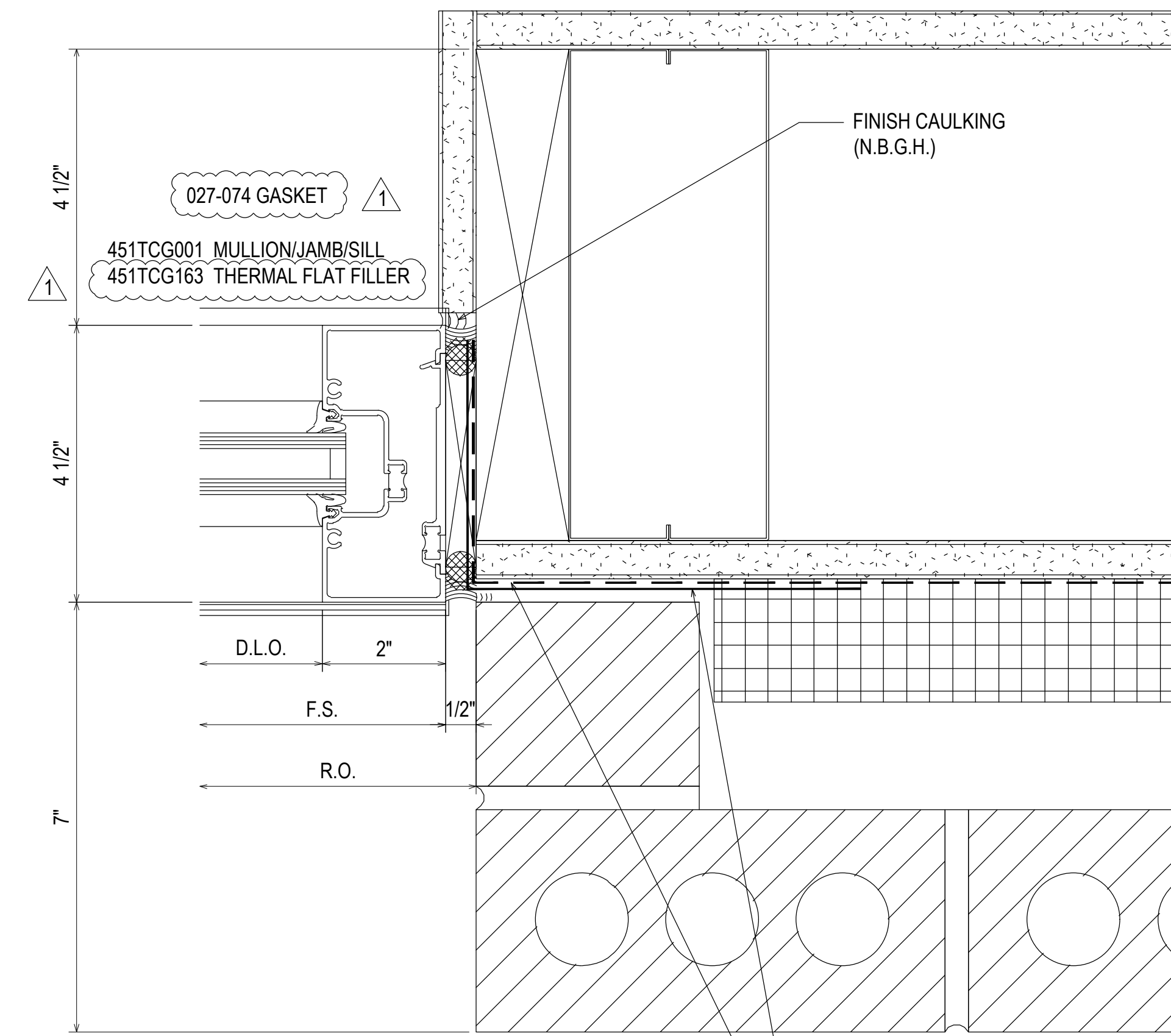
85
3.24
REF: C7/A133
SF02



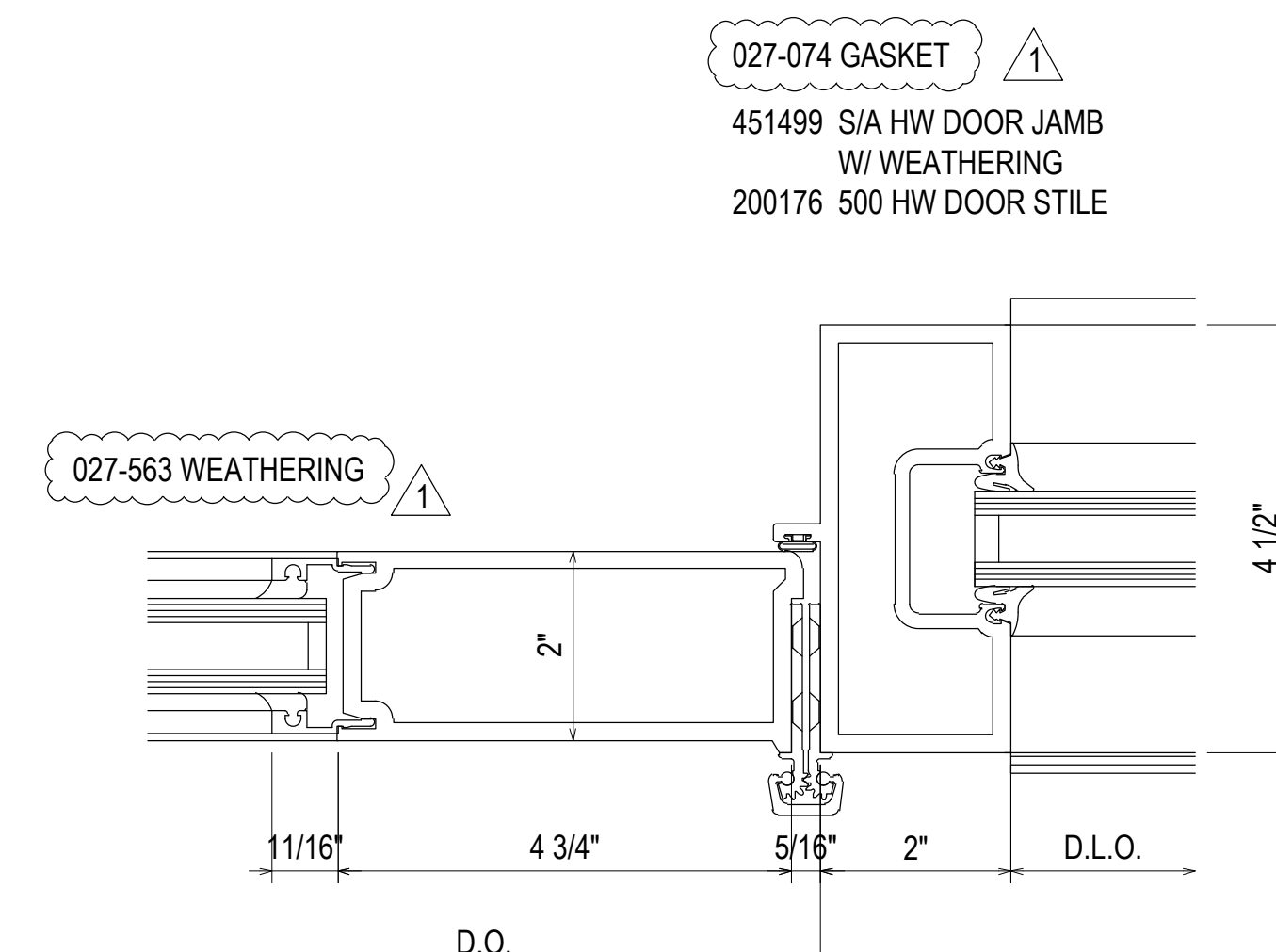
83
3.24
REF: N/A
TYPICAL



86
3.24
REF: N/A
SF02 - SF22 - SF22SS



84
3.24
REF: D7/A210
SF01 - SF01OPP - SF09 - SF10
SF19OPP - SF20 - SF22 - SF25
SF26 - SF30



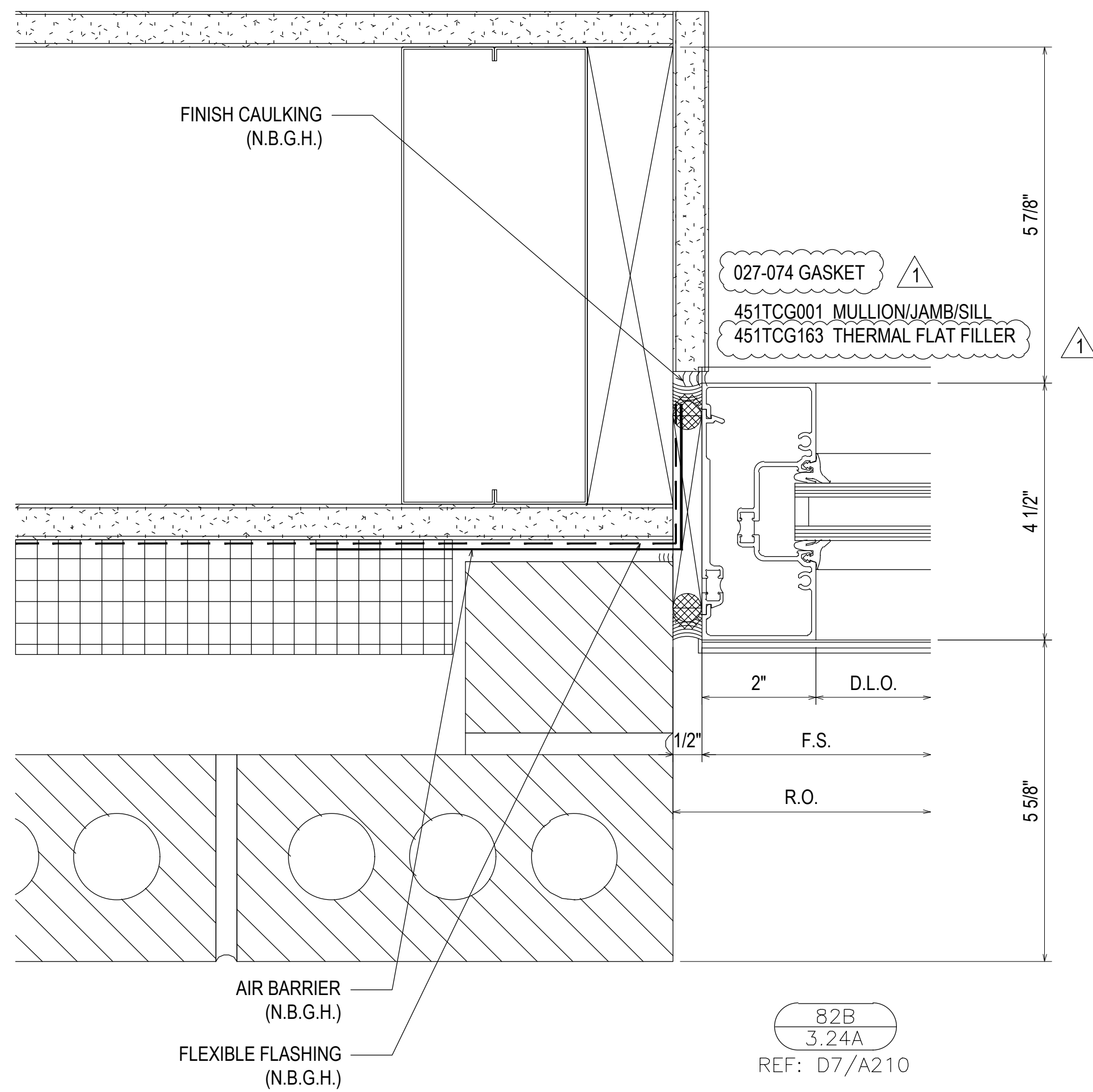
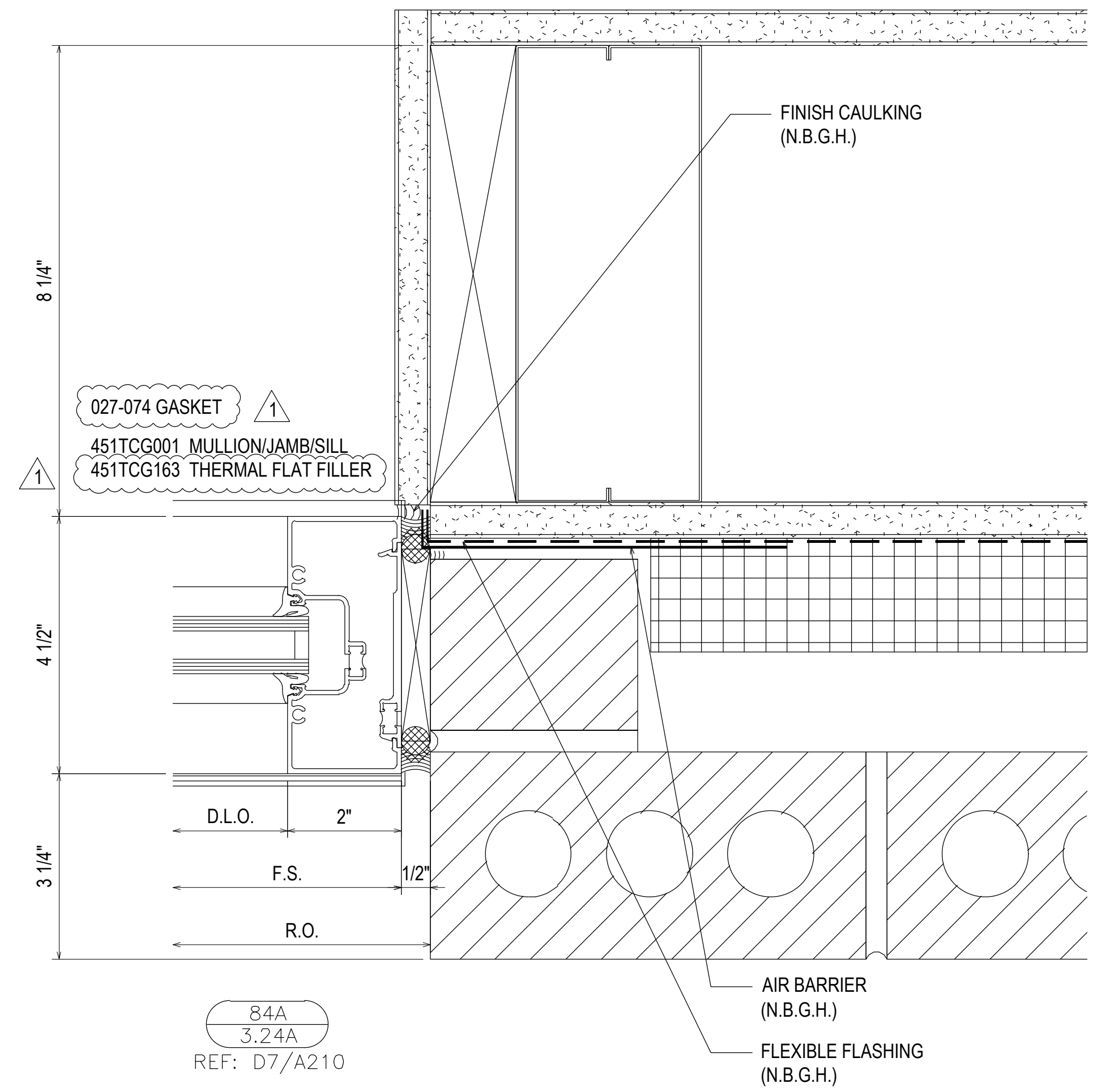
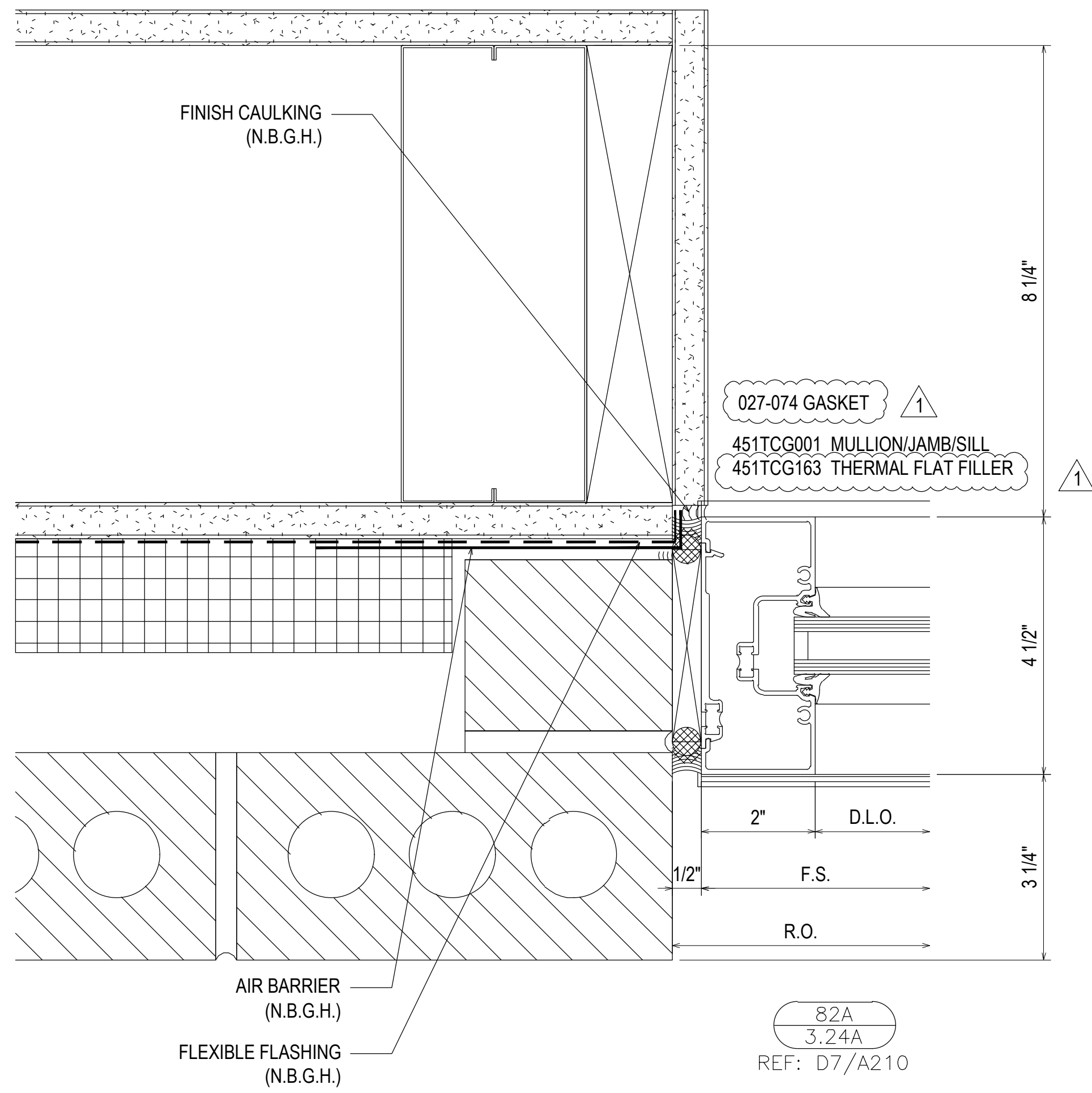
87
3.24
REF: N/A
SF10

REV.	DESCRIPTION	DATE
1	1ST REVISION (RA)	06.19.21
2	2ND REVISION (ENGINEERING)	06.08.21
3	3RD REVISION (MILLER RESISTANT)	08.03.21
NO	DESCRIPTION	

BETHEL HANBERRY ELEMENTARY SCHOOL
EXTERIOR SUBMITTAL
125 BONEY ROAD, BLYTHEWOOD, SC 29016

GRAHAM-HODGE ASSOCIATES INC.
JOB # 20-018

DRAWN BY:	DATE:
RA	04.23.21
CHECKED BY:	DATE:
EW	04.23.21



REV.	DESCRIPTION	DATE
1	1ST REVISION (RA)	06.19.21
2	2ND REVISION (ENGINEERING)	06.08.21
3	3RD REVISION (BULLET RESISTANT)	08.03.21
NO	DESCRIPTION	

BETHEL HANBERRY ELEMENTARY SCHOOL
 EXTERIOR SUBMITTAL
 125 BONEY ROAD, BLYTHEWOOD, SC 29016

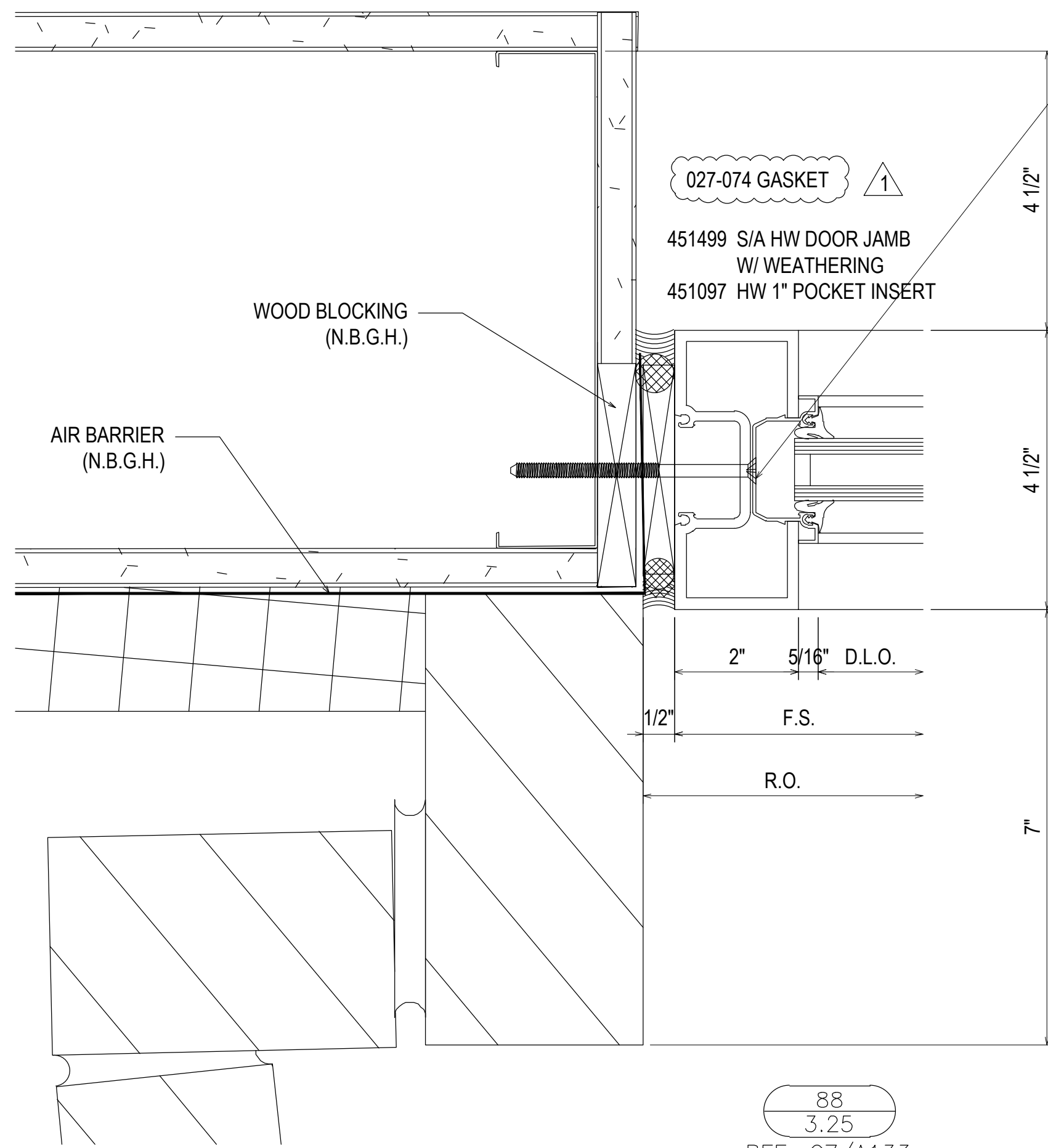


JOB # 20-018

DRAWN BY:	DATE:
RA	04.23.21
CHECKED BY:	DATE:
EW	04.23.21

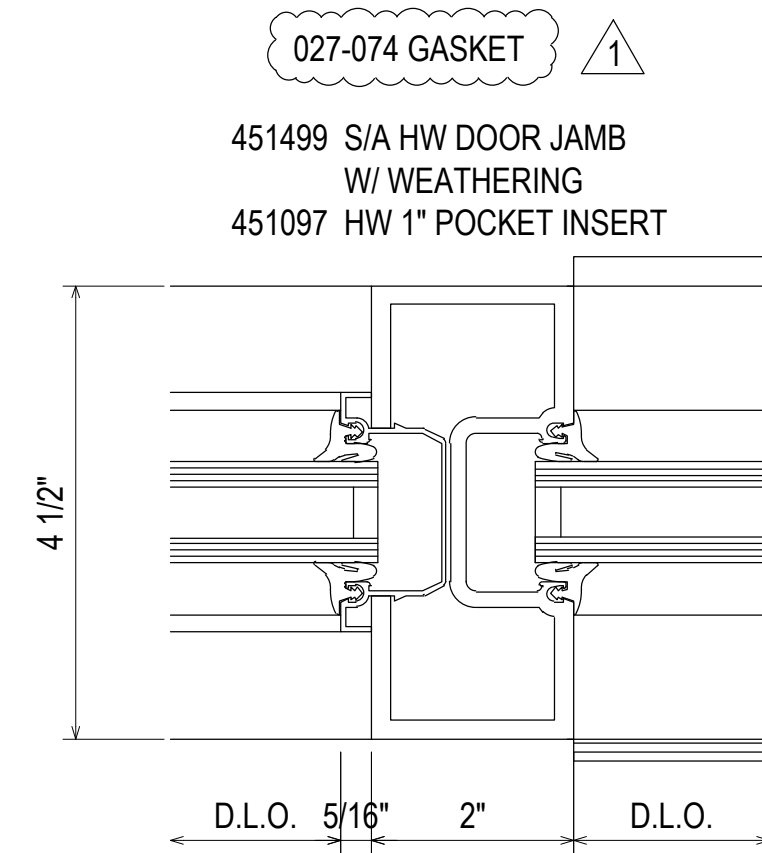
3.24A

DRAWING SUBMISSION

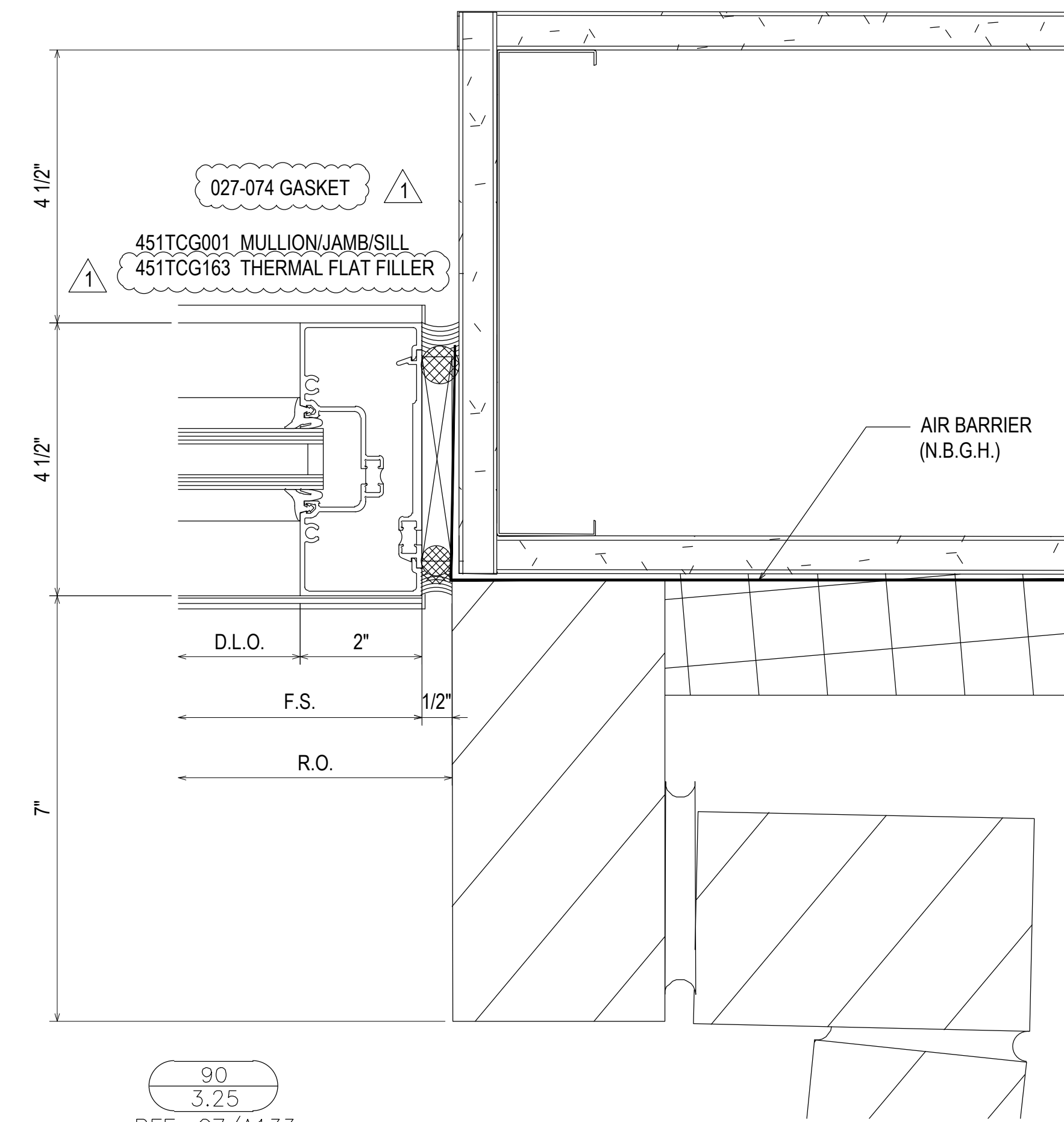


88
3.25
REF: C7/A133
SF02

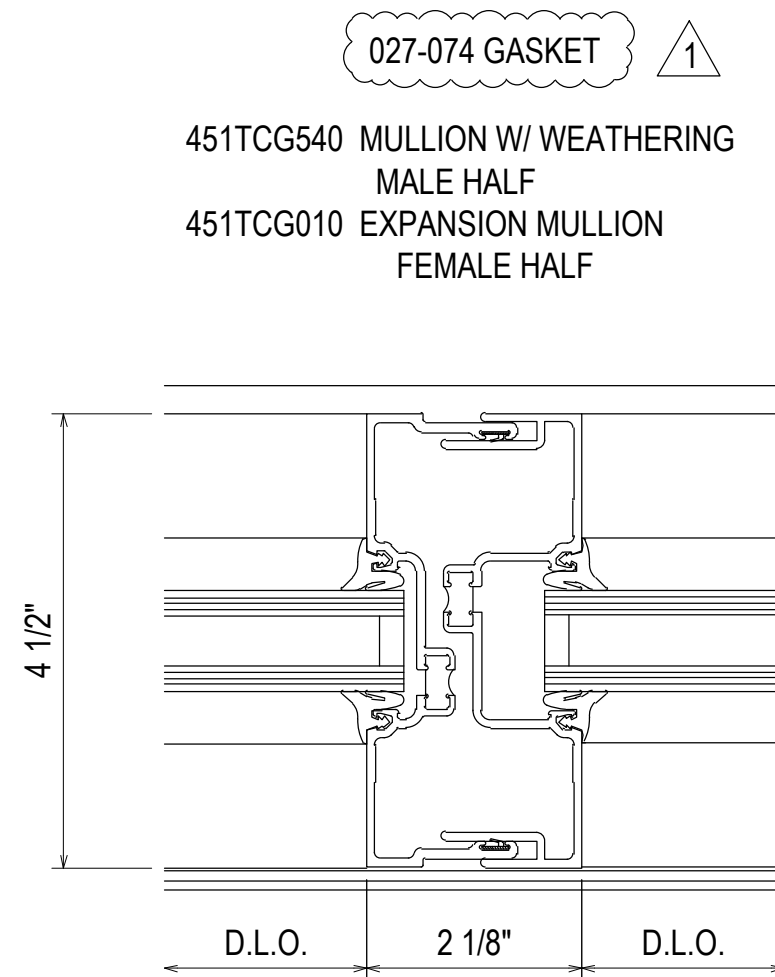
1/4-20 GRADE 5 SMS WITH A MINIMUM FULL PENETRATION + 1/2"
MINIMUM 3/8" EDGE DISTANCE
SPACED 3" FROM END AND 24" O.C. THEREAFTER



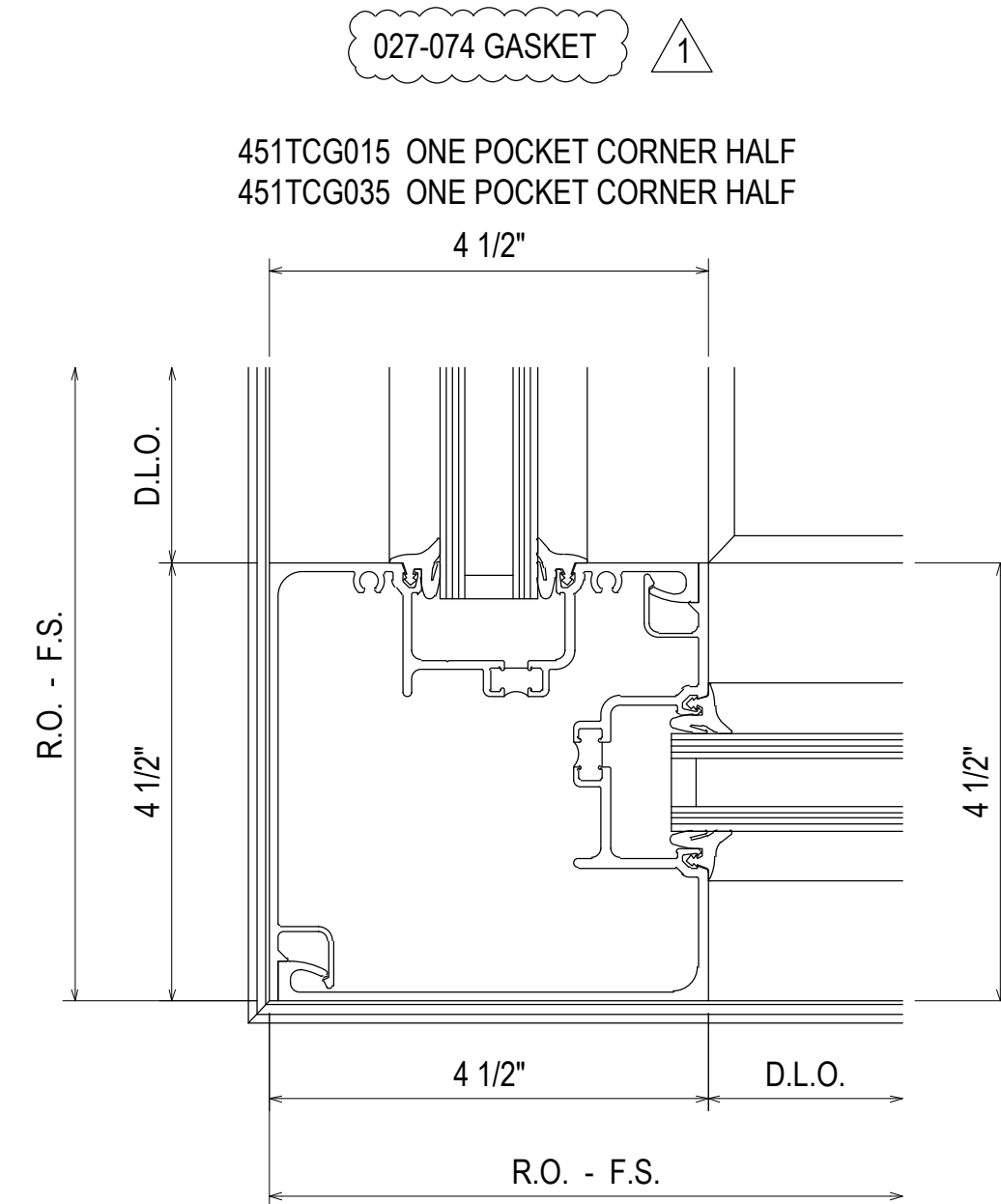
89
3.25
REF: N/A
SF02 - SF10 - SF22 - SF22SS



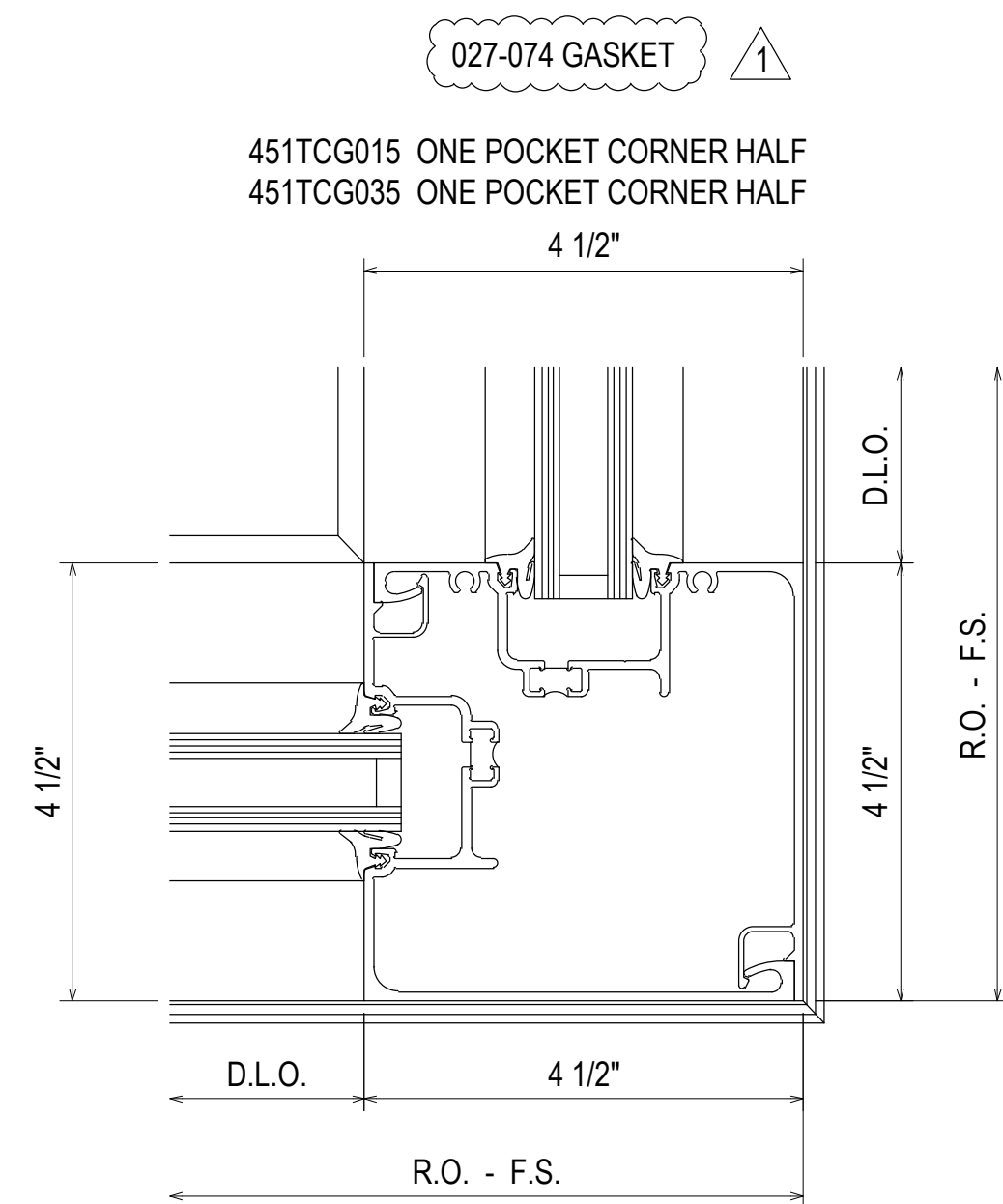
90
3.25
REF: C7/A133
SF02



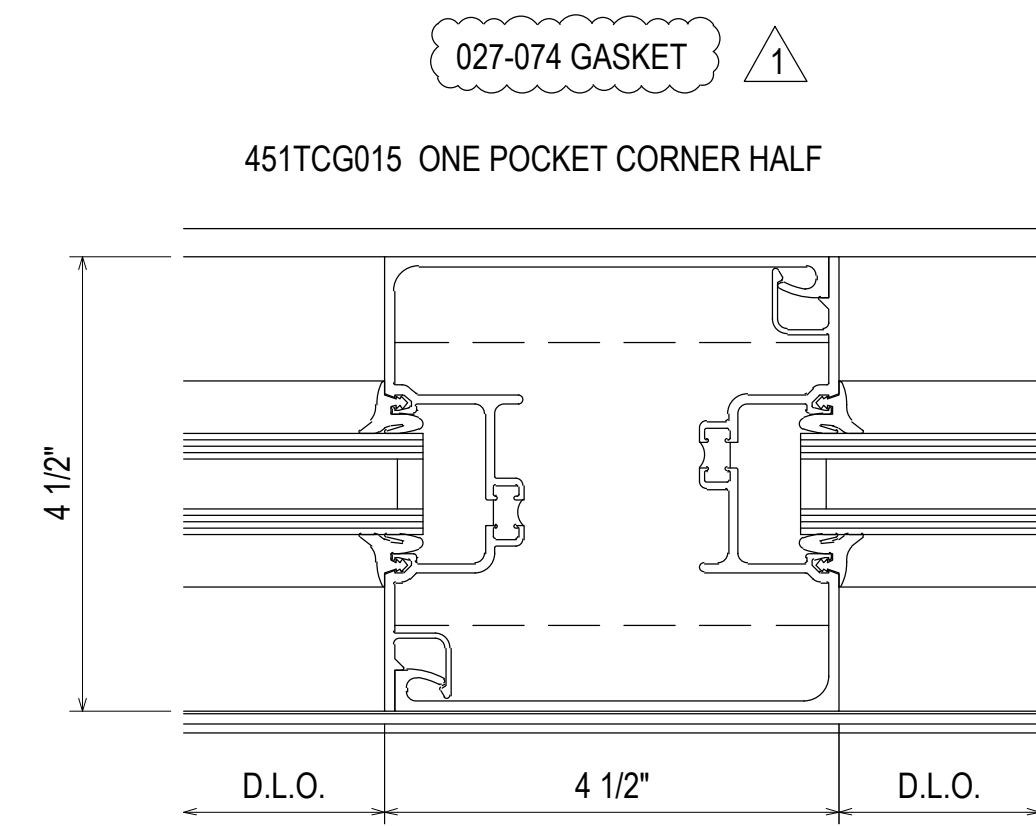
91
3.25
REF: N/A
SF03A - SF05 - SF06 - SF07
SF13 - SF15 - SF16 - SF17
SF18 - SF29



92
3.25
REF: N/A
SF03A - SF04 - SF06 - SF12
SF19OPP - SF20 - SF23OPP
SF23OPPSS - SF24



93
3.25
REF: N/A
SF03B - SF05 - SF08 - SF13
SF19 - SF20OPP - SF23
SF23SS - SF24OPP



94
3.25
REF: N/A
SF06

REV.	DESCRIPTION	DATE
1	1ST REVISION (RA)	06.19.21
2	2ND REVISION (ENGINEERING)	06.08.21
3	3RD REVISION (BULLET RESISTANT)	08.03.21
NO	DESCRIPTION	

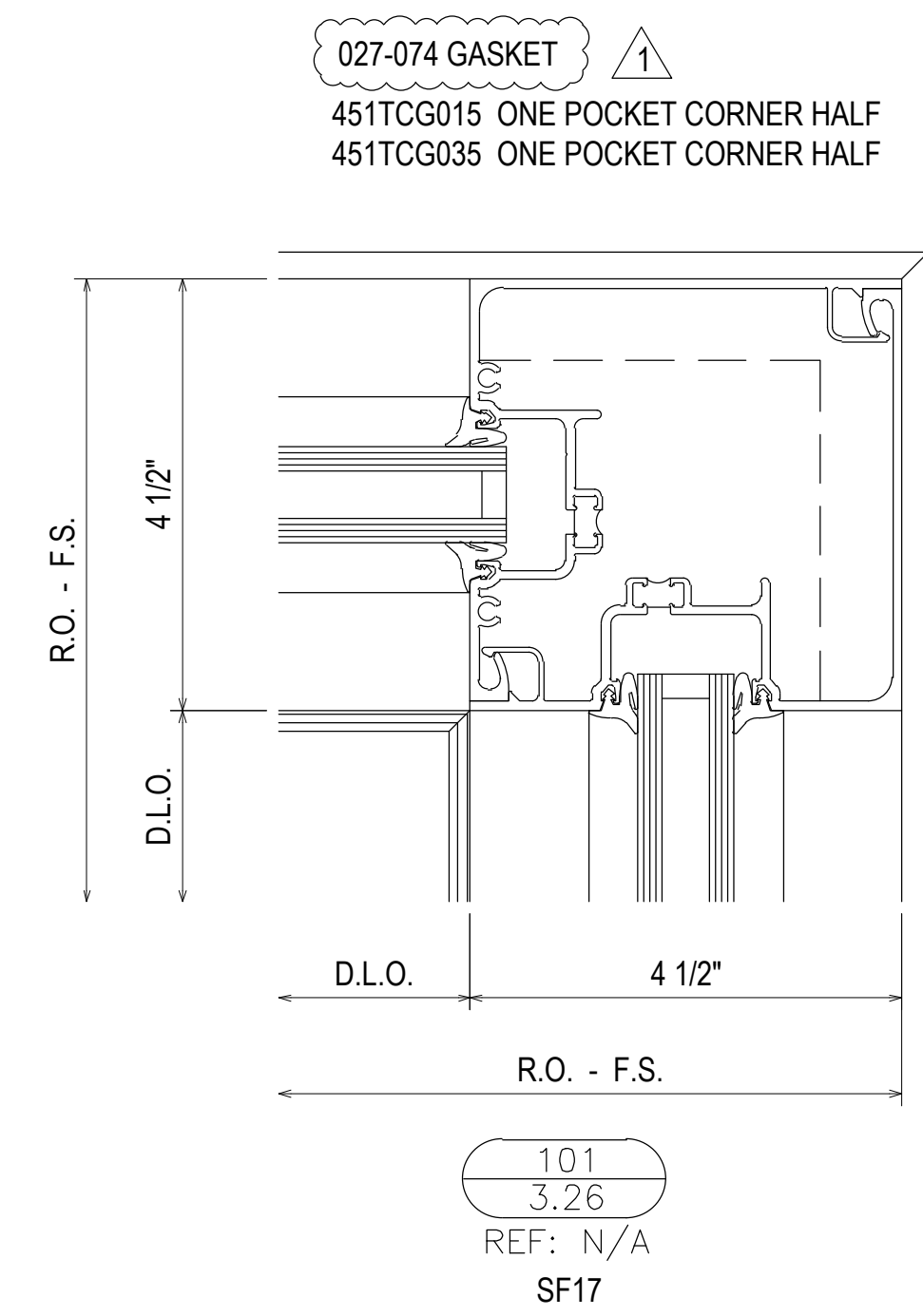
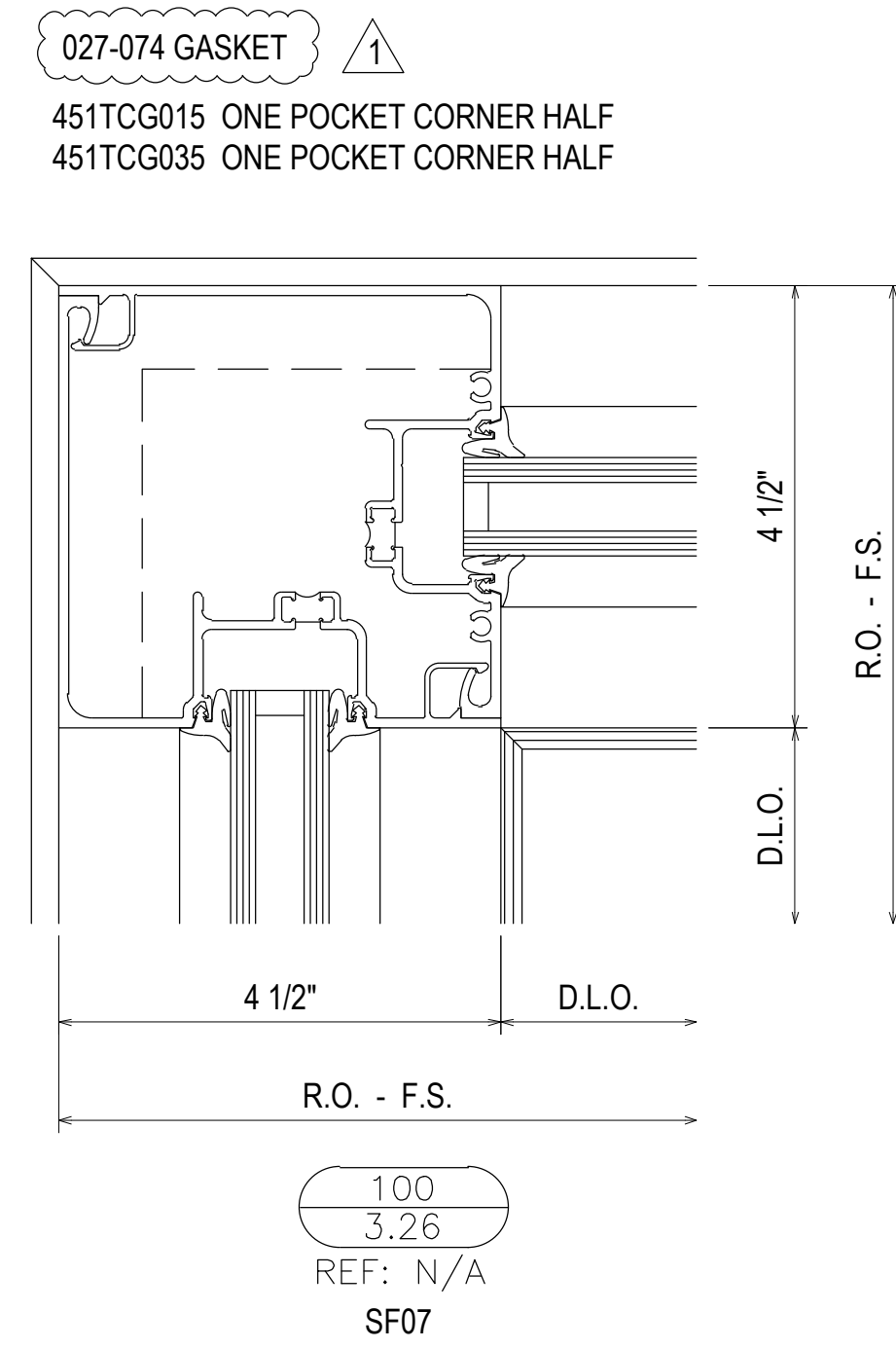
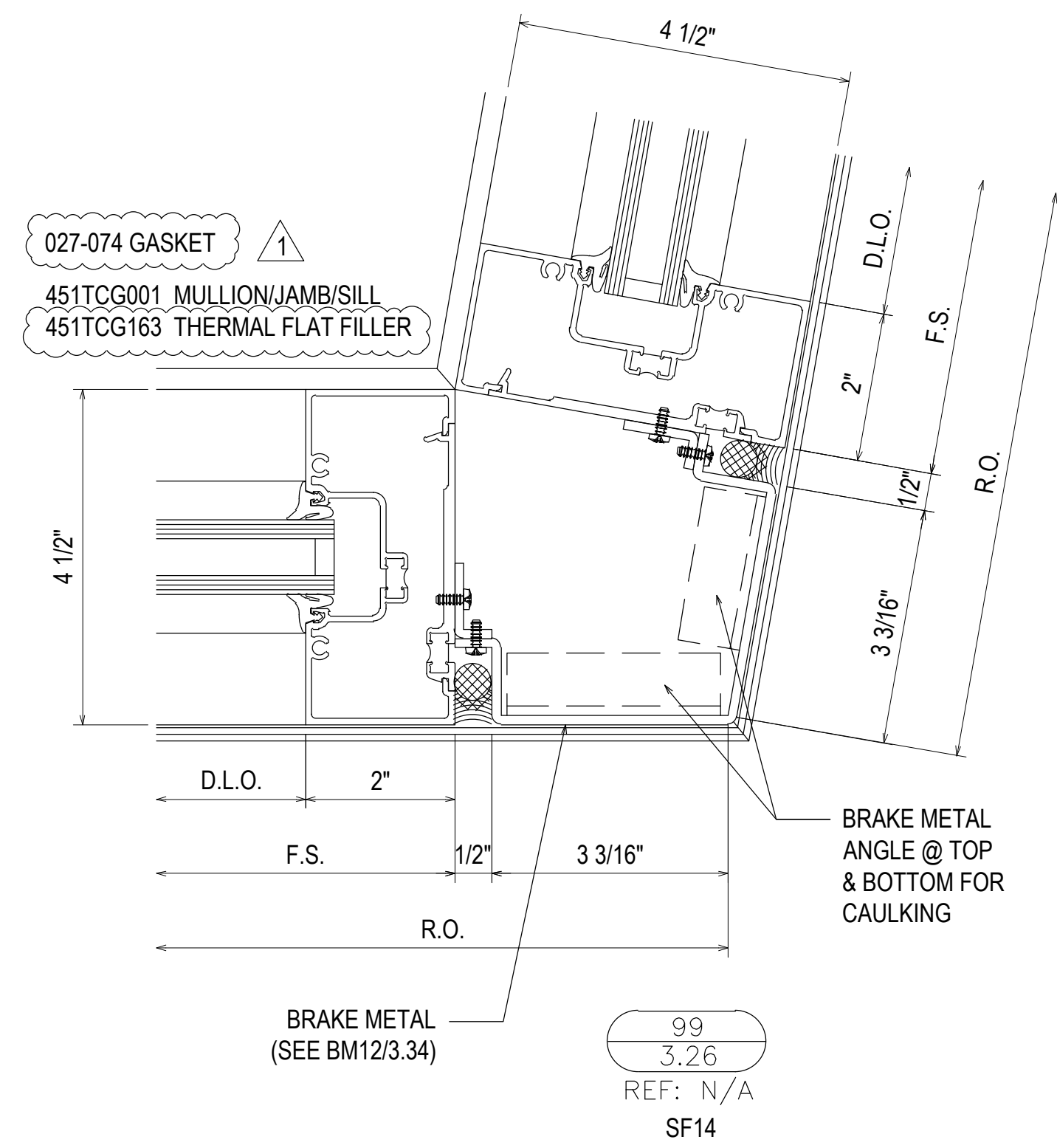
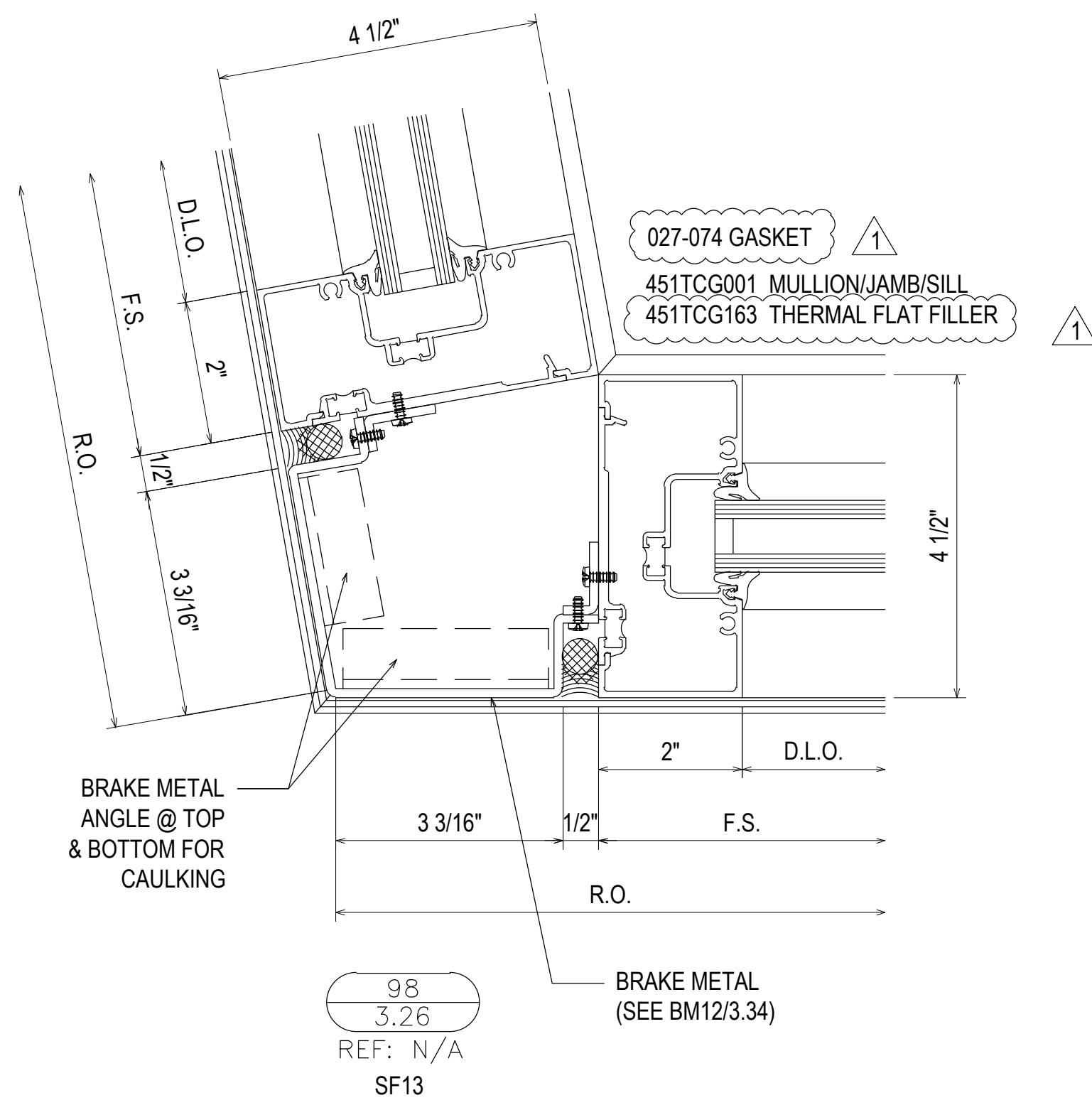
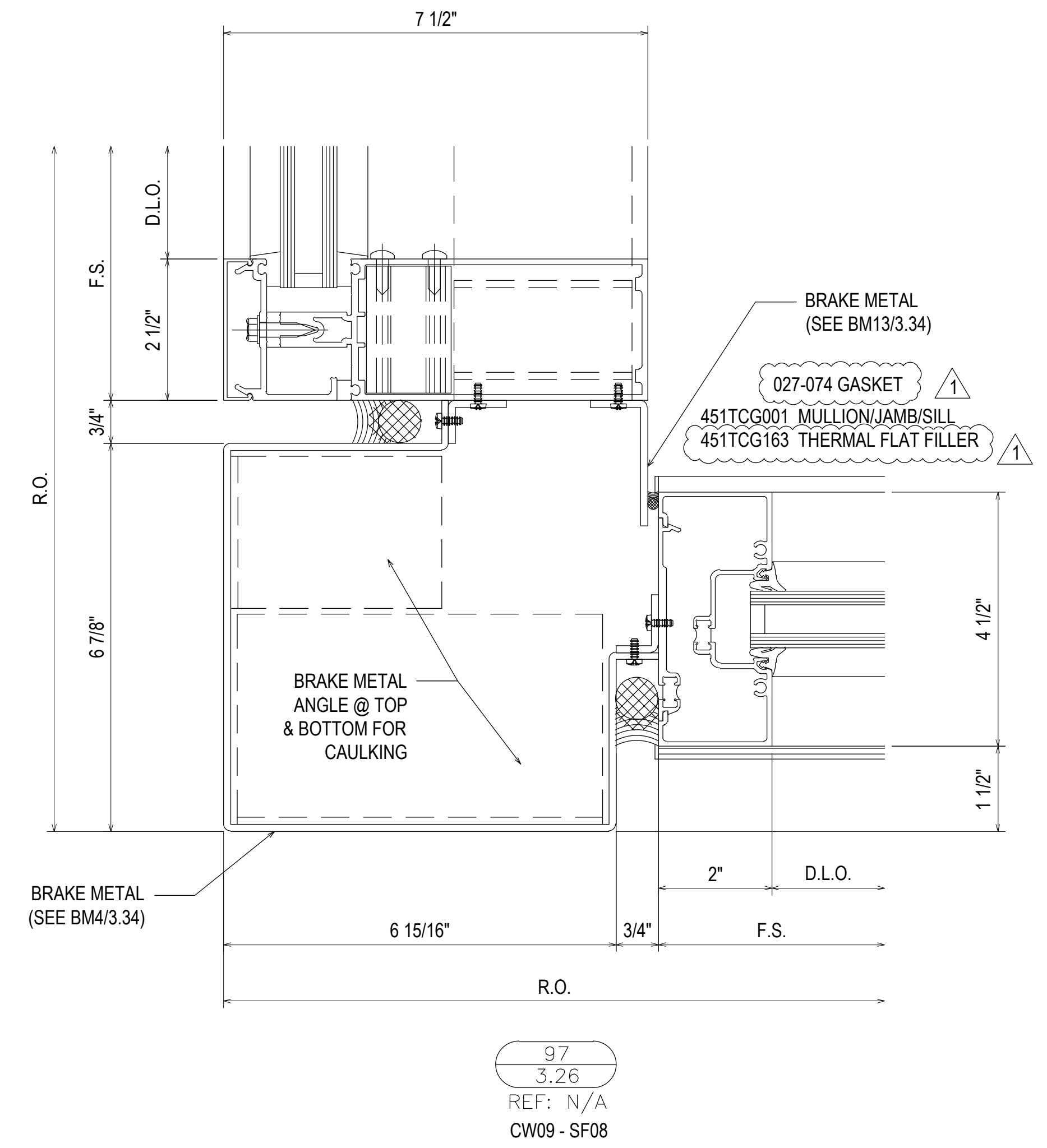
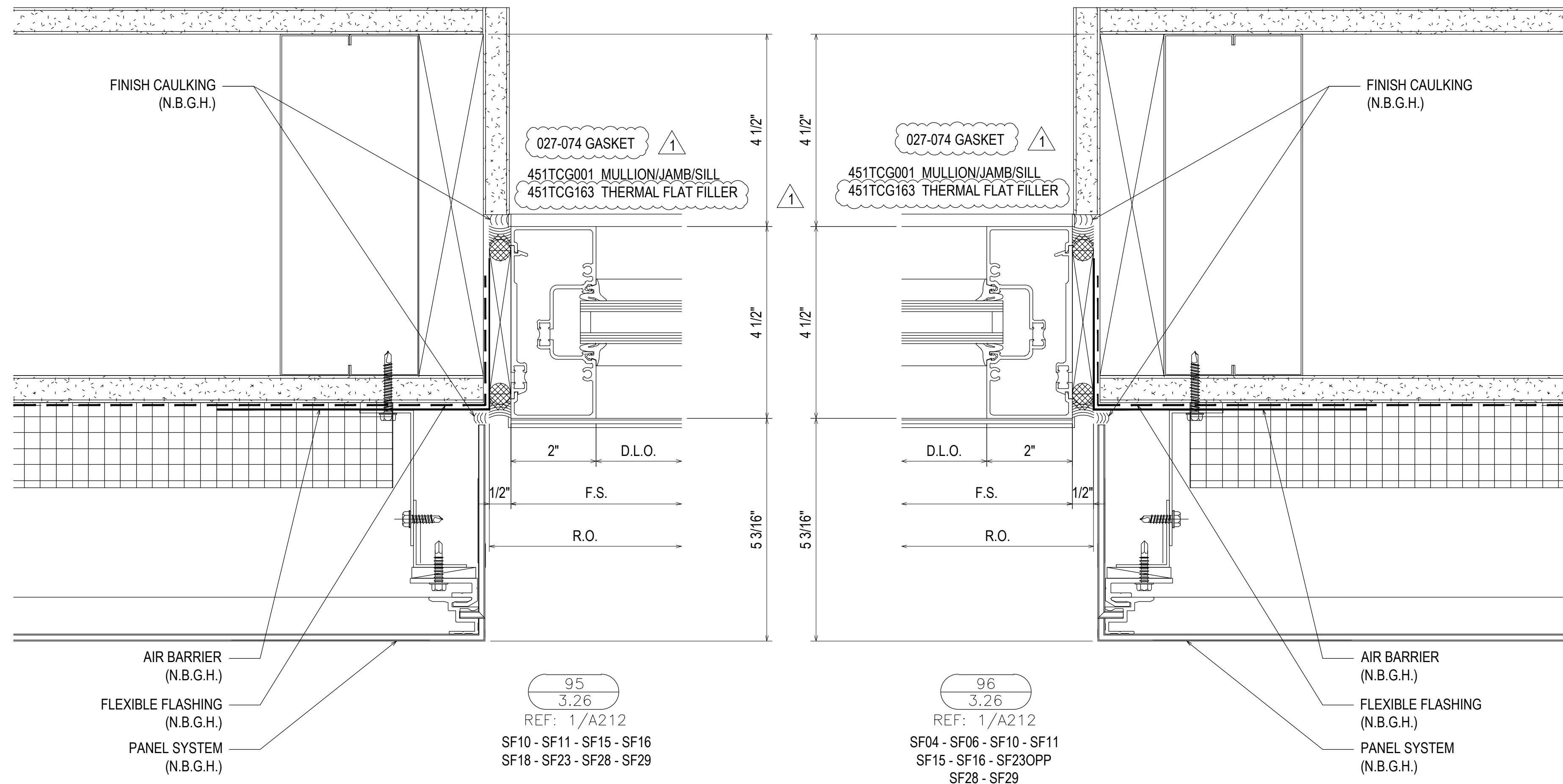
BETHEL HANBERRY ELEMENTARY SCHOOL
EXTERIOR SUBMITTAL
125 BONEY ROAD, BLYTHEWOOD, SC 29016



JOB #
20-018

DRAWN BY:	DATE:
RA	04.23.21
CHECKED BY:	DATE:
EW	04.23.21

3.25



REV	DESCRIPTION	DATE
1	1ST REVISION (RA)	06.19.21
2	2ND REVISION (ENGINEERING)	06.08.21
3	3RD REVISION (MATERIAL RESISTANT)	08.03.21
NO	DESCRIPTION	

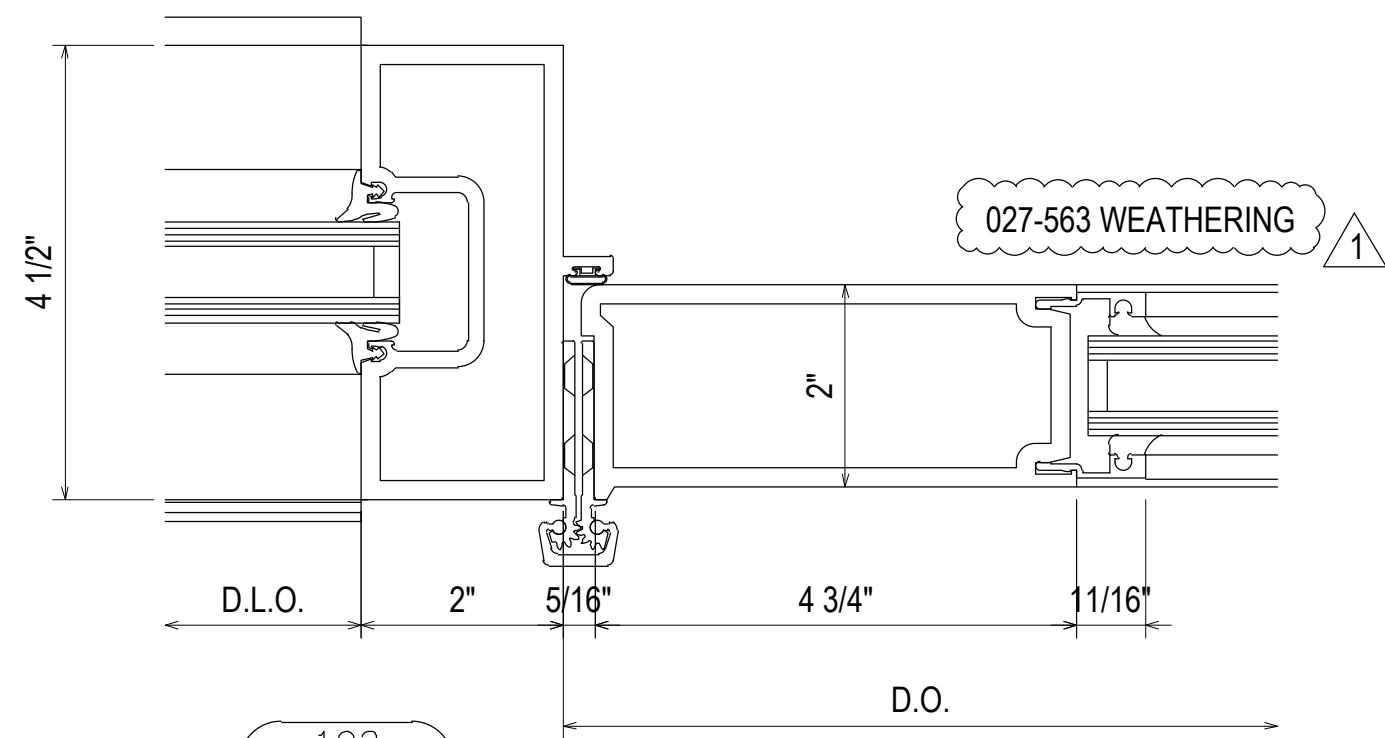
BETHEL HANBERRY ELEMENTARY SCHOOL
EXTERIOR SUBMITTAL
 125 BONEY ROAD, BLYTHEWOOD, SC 29016



JOB #
20-018

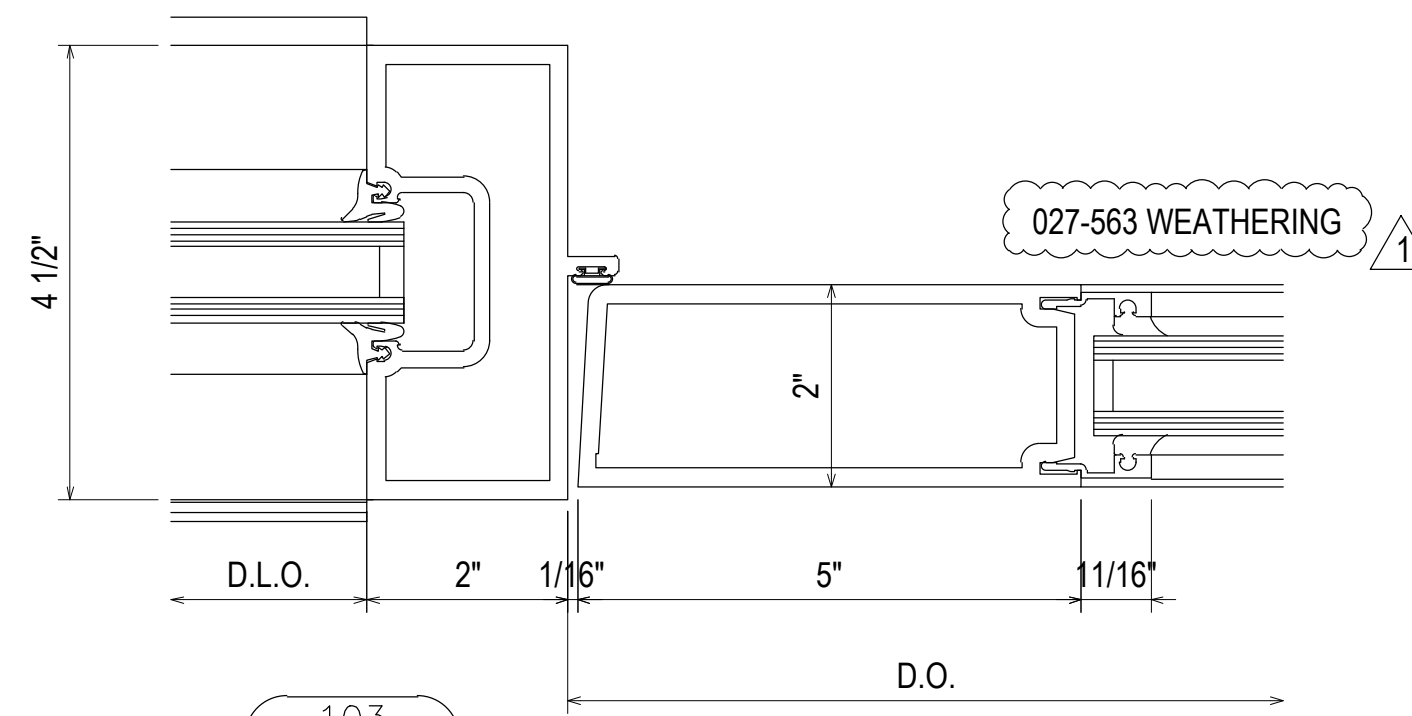
DRAWN BY:	DATE:
RA	04.23.21
CHECKED BY:	DATE:
EW	04.23.21

027-074 GASKET
 451499 S/A HW DOOR JAMB
 W/ WEATHERING
 200176 500 HW DOOR STILE



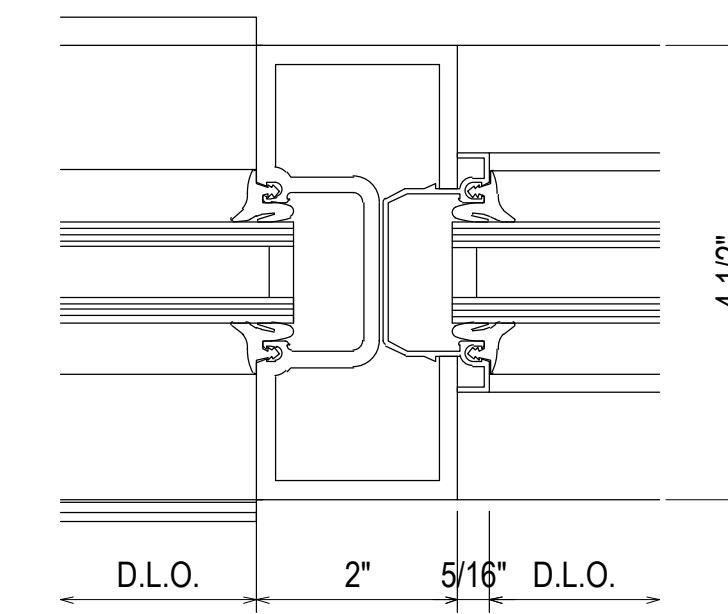
102
 3.27
 REF: N/A
 SF10

027-074 GASKET
 451499 S/A HW DOOR JAMB
 W/ WEATHERING
 200176 500 HW DOOR STILE

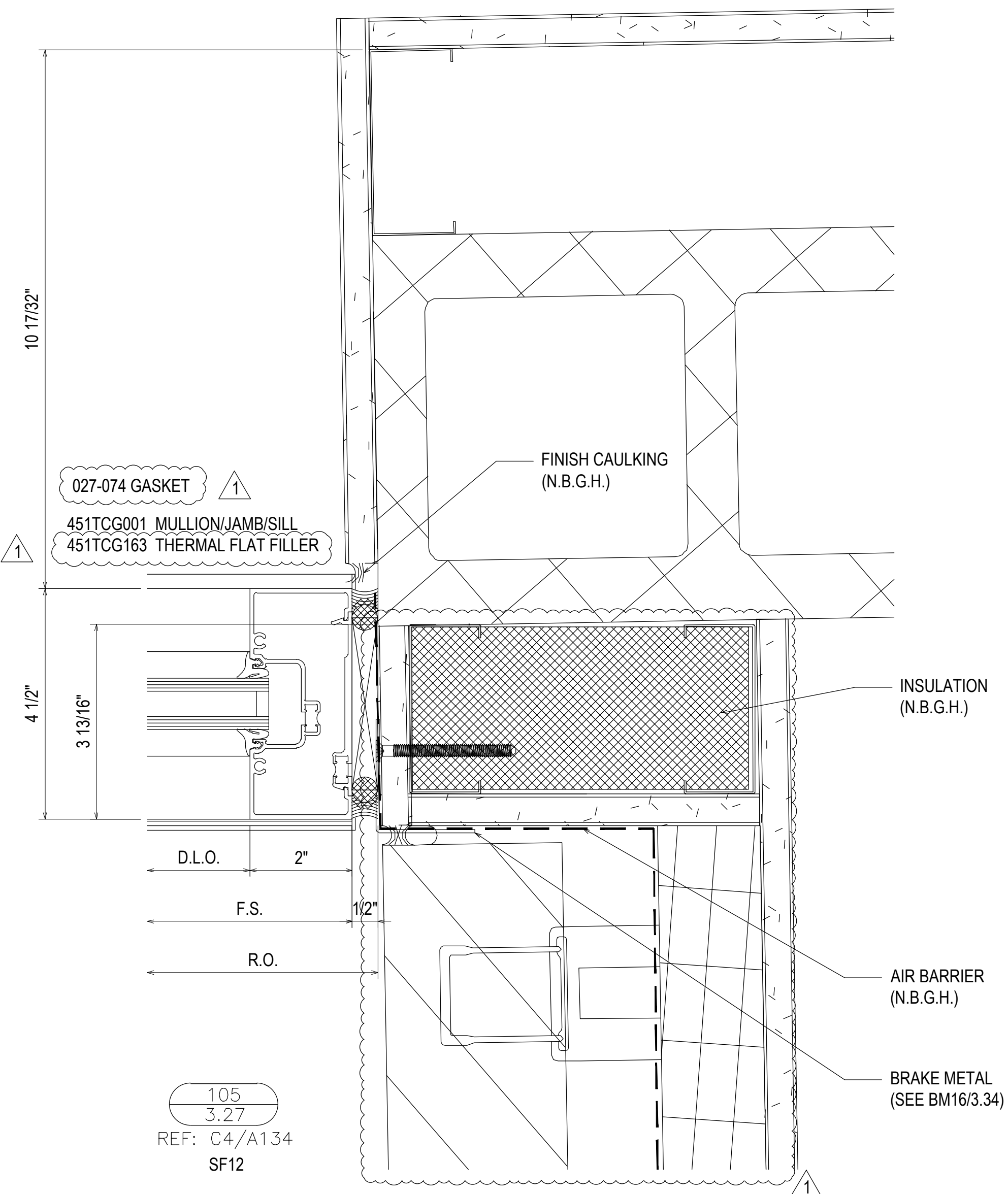


103
 3.27
 REF: N/A
 SF21 - SF21SS

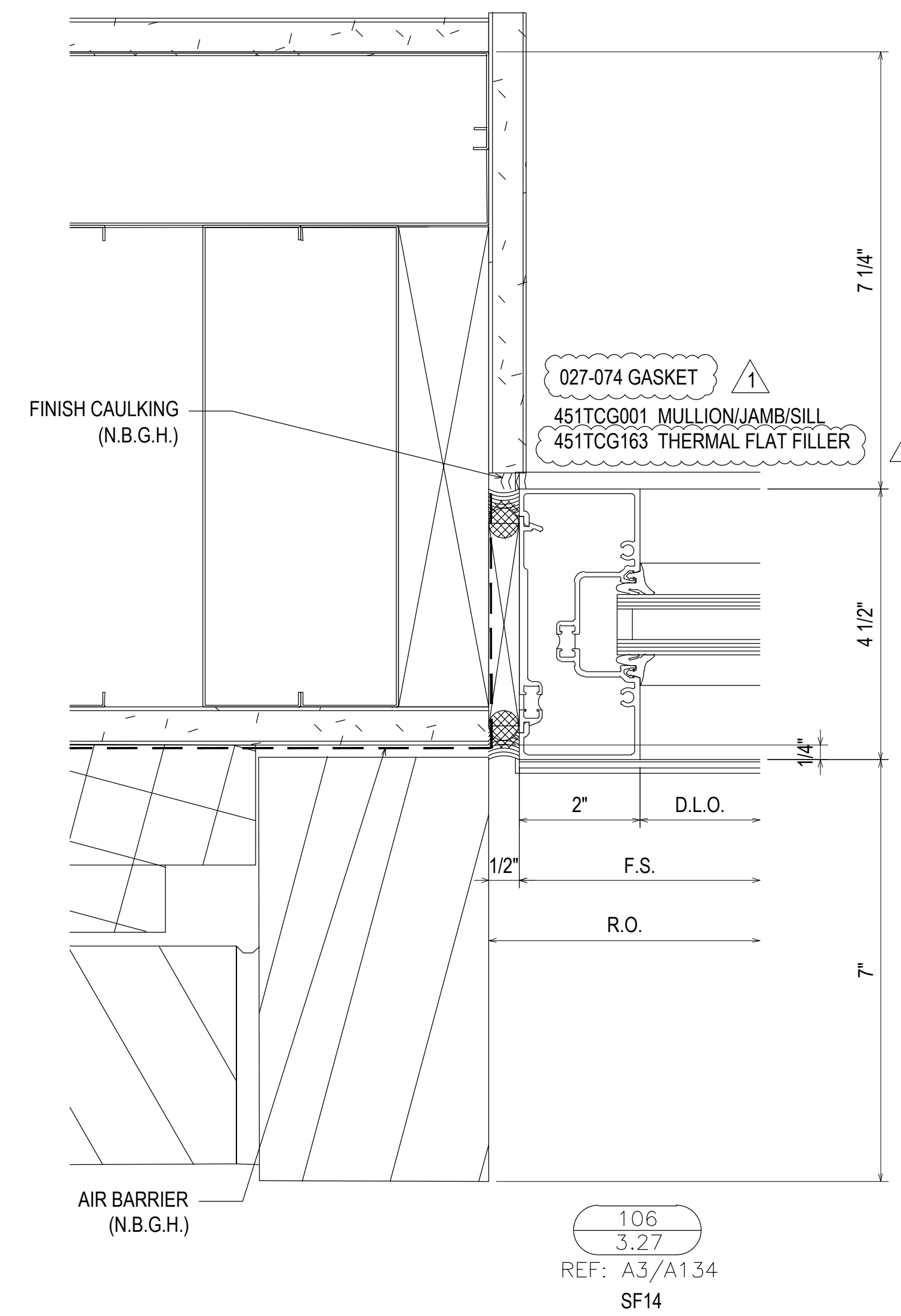
027-074 GASKET
 451499 S/A HW DOOR JAMB
 W/ WEATHERING
 451097 HW 1" POCKET INSERT



104
 3.27
 REF: N/A
 SF10 - SF21 - SF21SS



105
 3.27
 REF: C4/A134
 SF12



106
 3.27
 REF: A3/A134
 SF14

REV.	DESCRIPTION	DATE
1	1ST REVISION (RA)	06.19.21
2	2ND REVISION (ENGINEERING)	06.08.21
3	3RD REVISION (BULLET RESISTANT)	08.03.21
NO	DESCRIPTION	

BETHEL HANBERRY ELEMENTARY SCHOOL
 EXTERIOR SUBMITTAL
 125 BONEY ROAD, BLYTHEWOOD, SC 29016

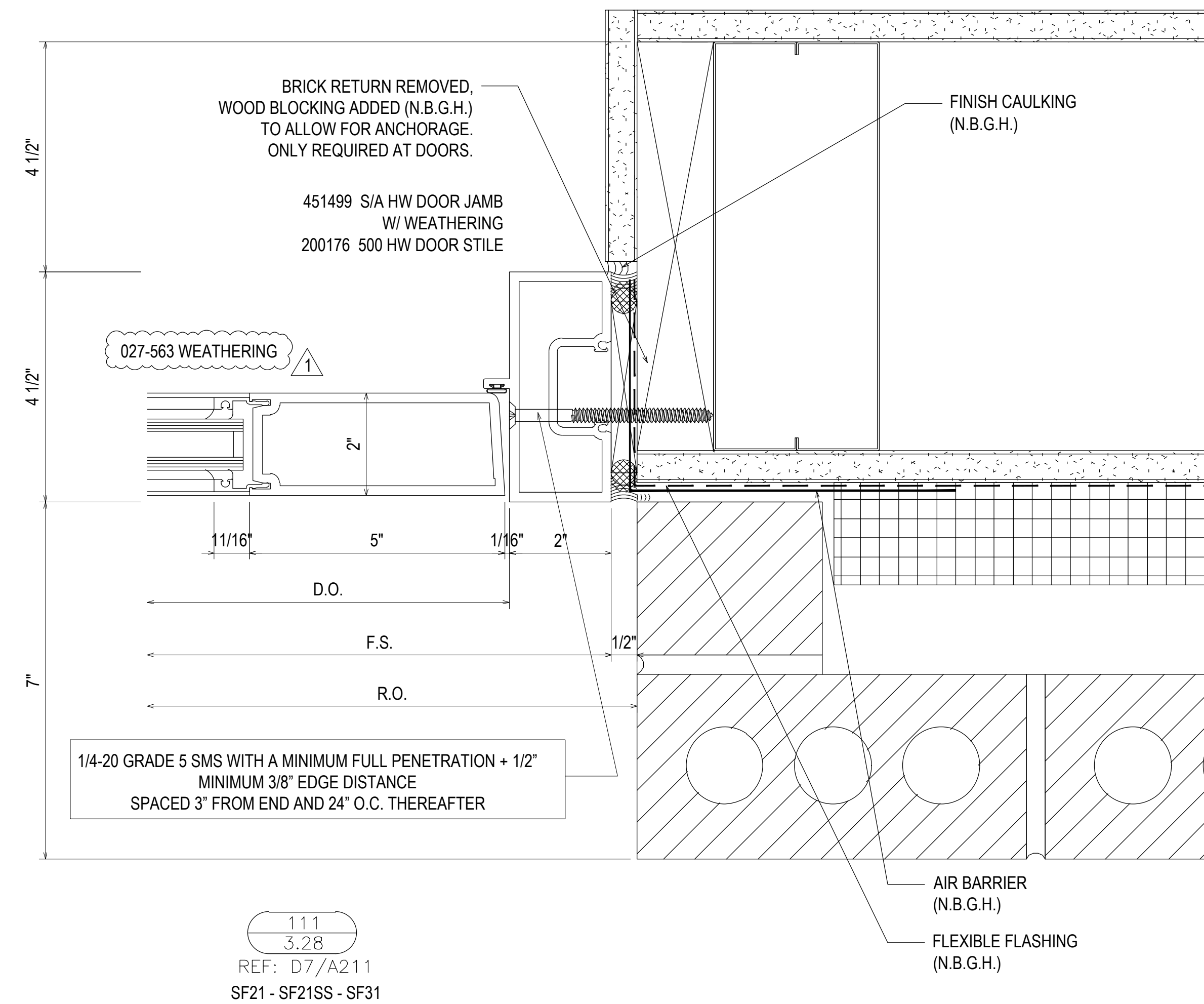
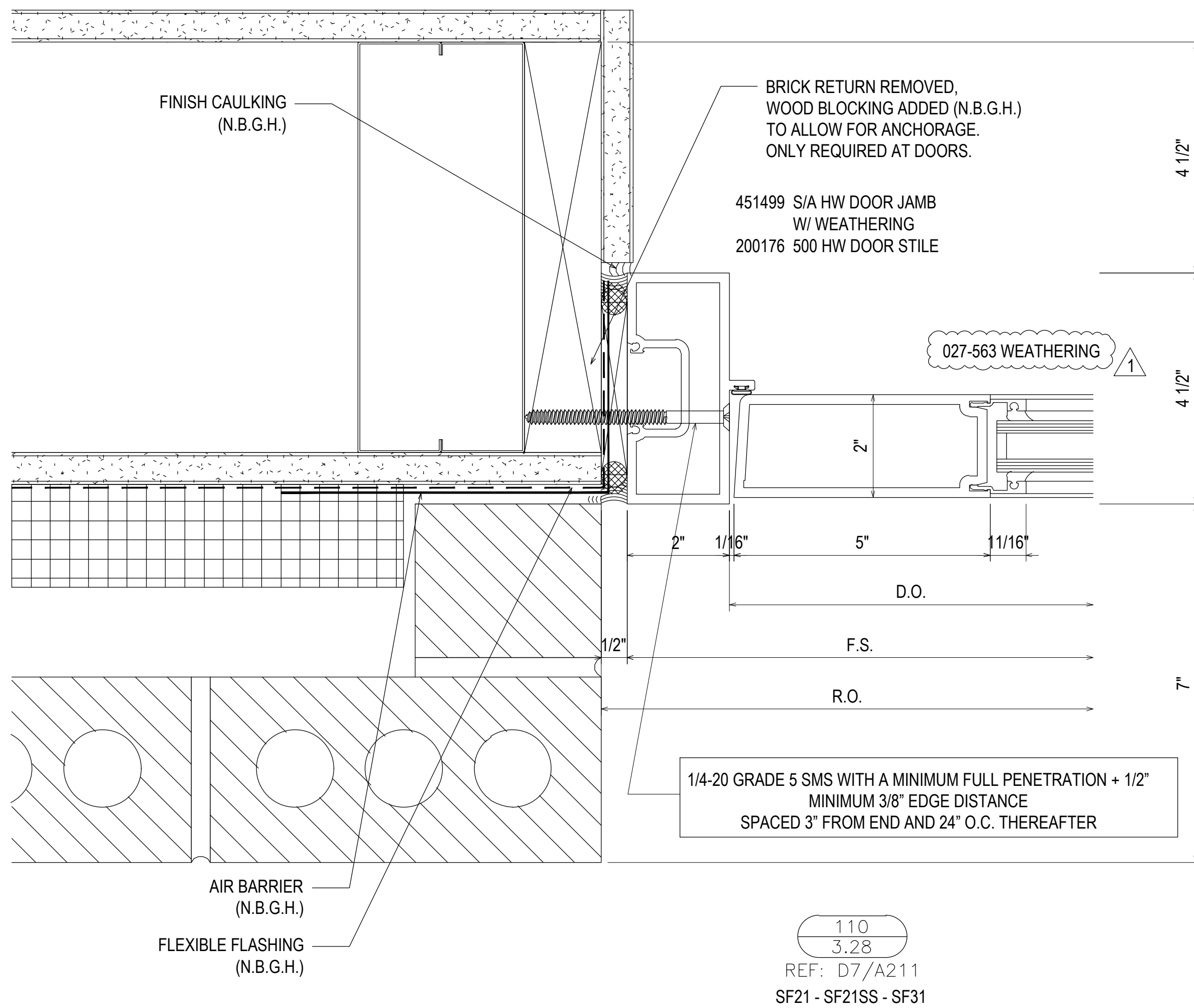
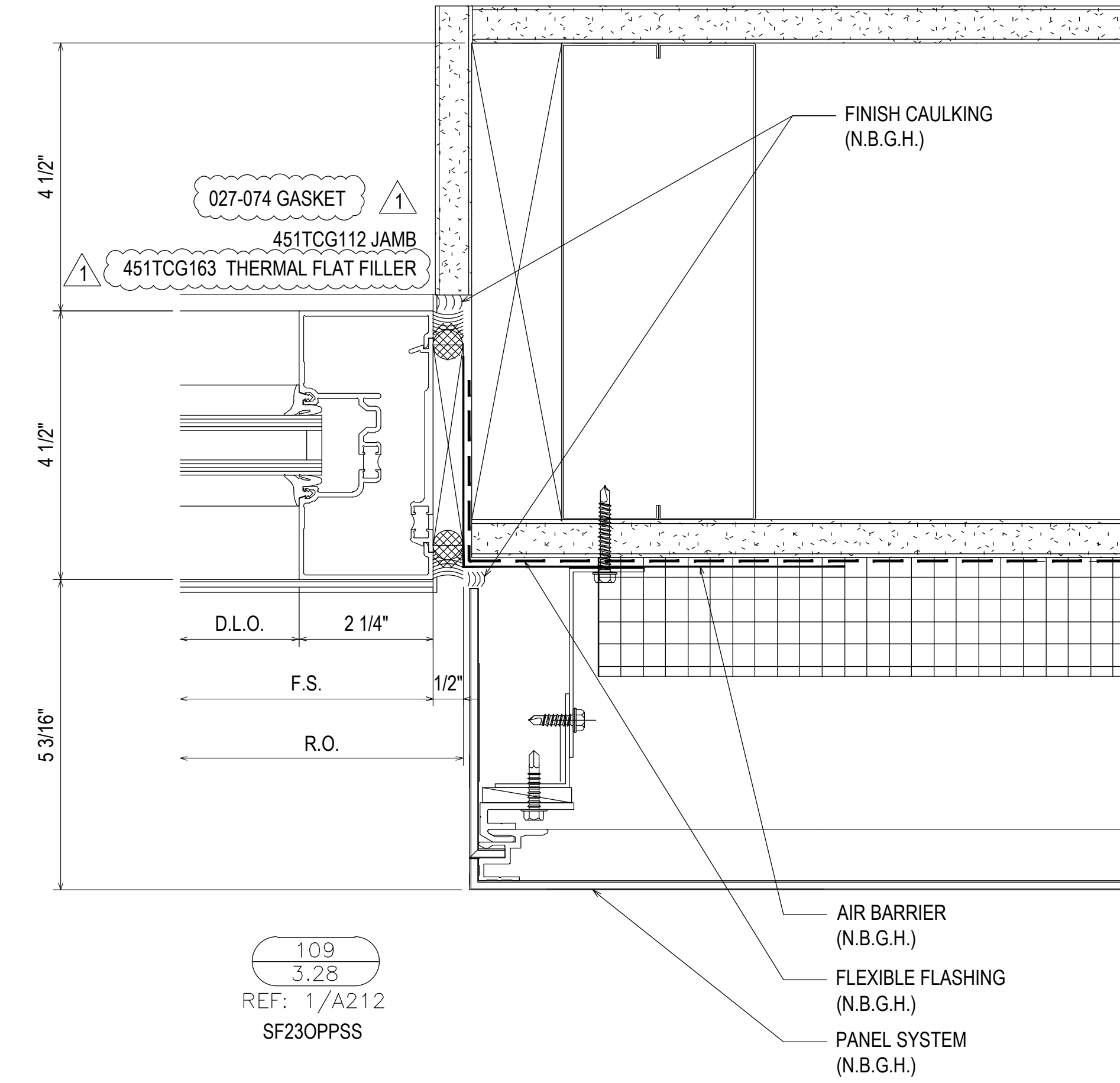
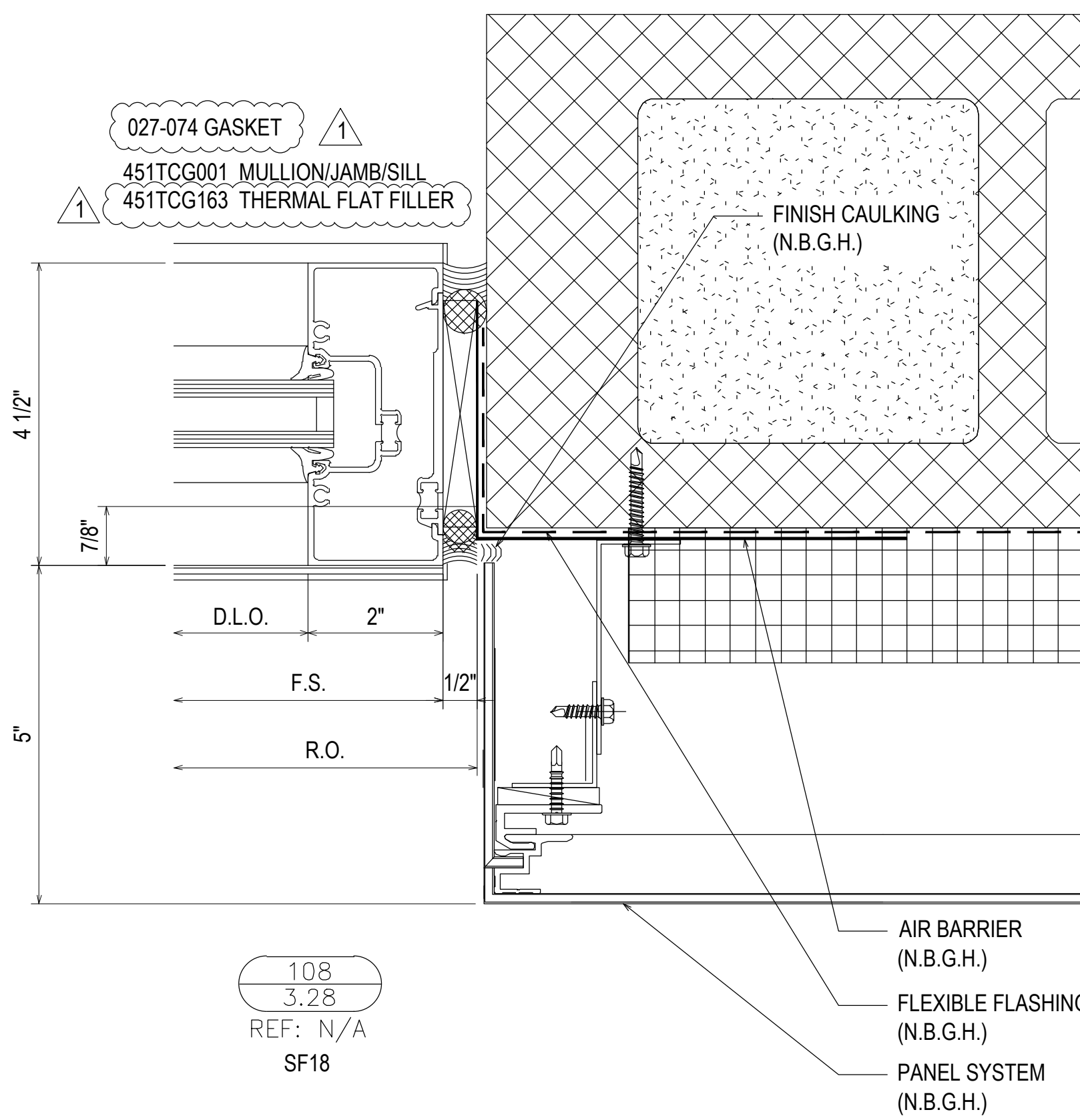
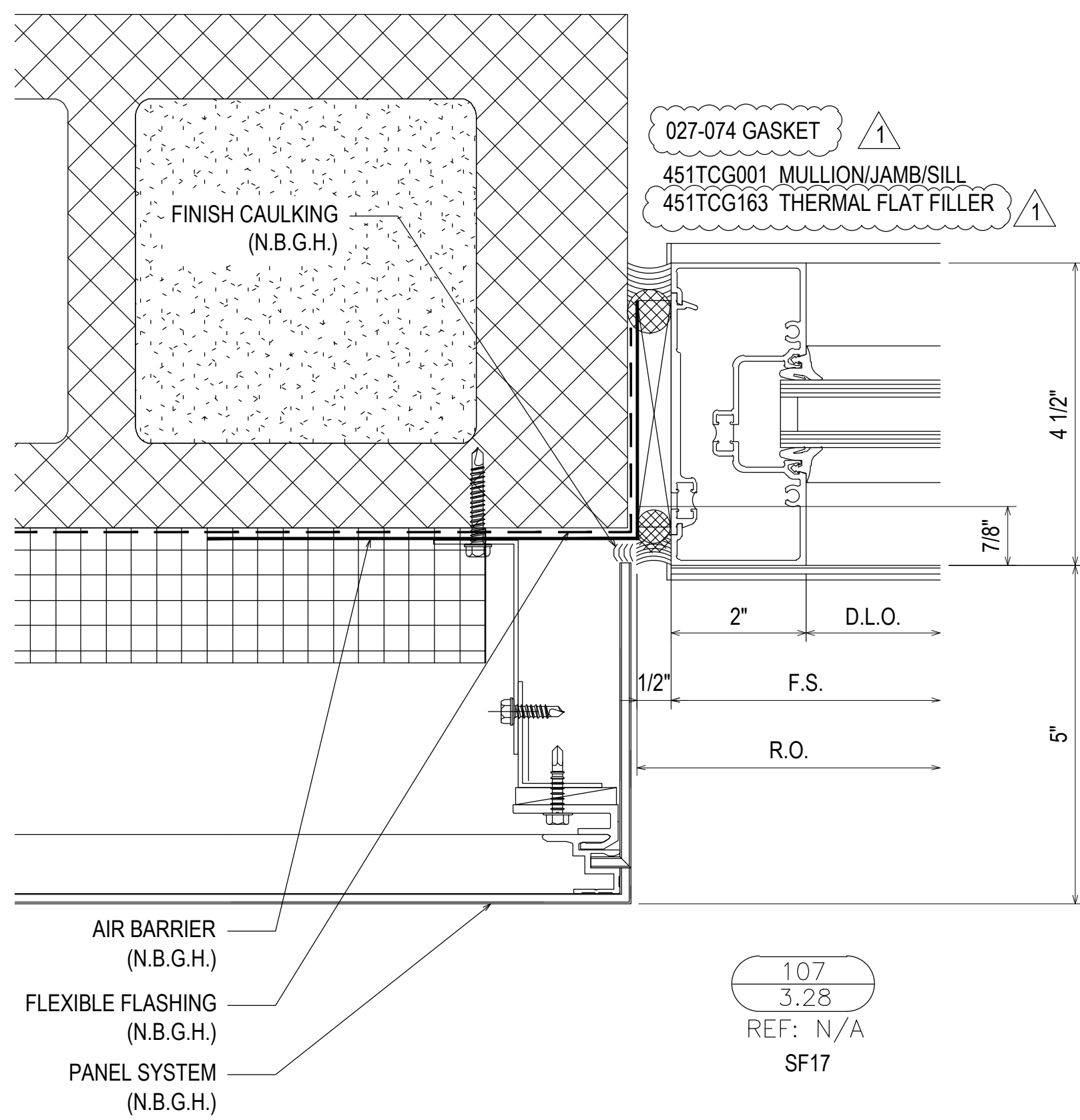
GRAHAM-HODGE ASSOCIATES INC.

JOB # 20-018

DRAWN BY: RA DATE: 04.23.21

CHECKED BY: EW DATE: 04.23.21

3.27



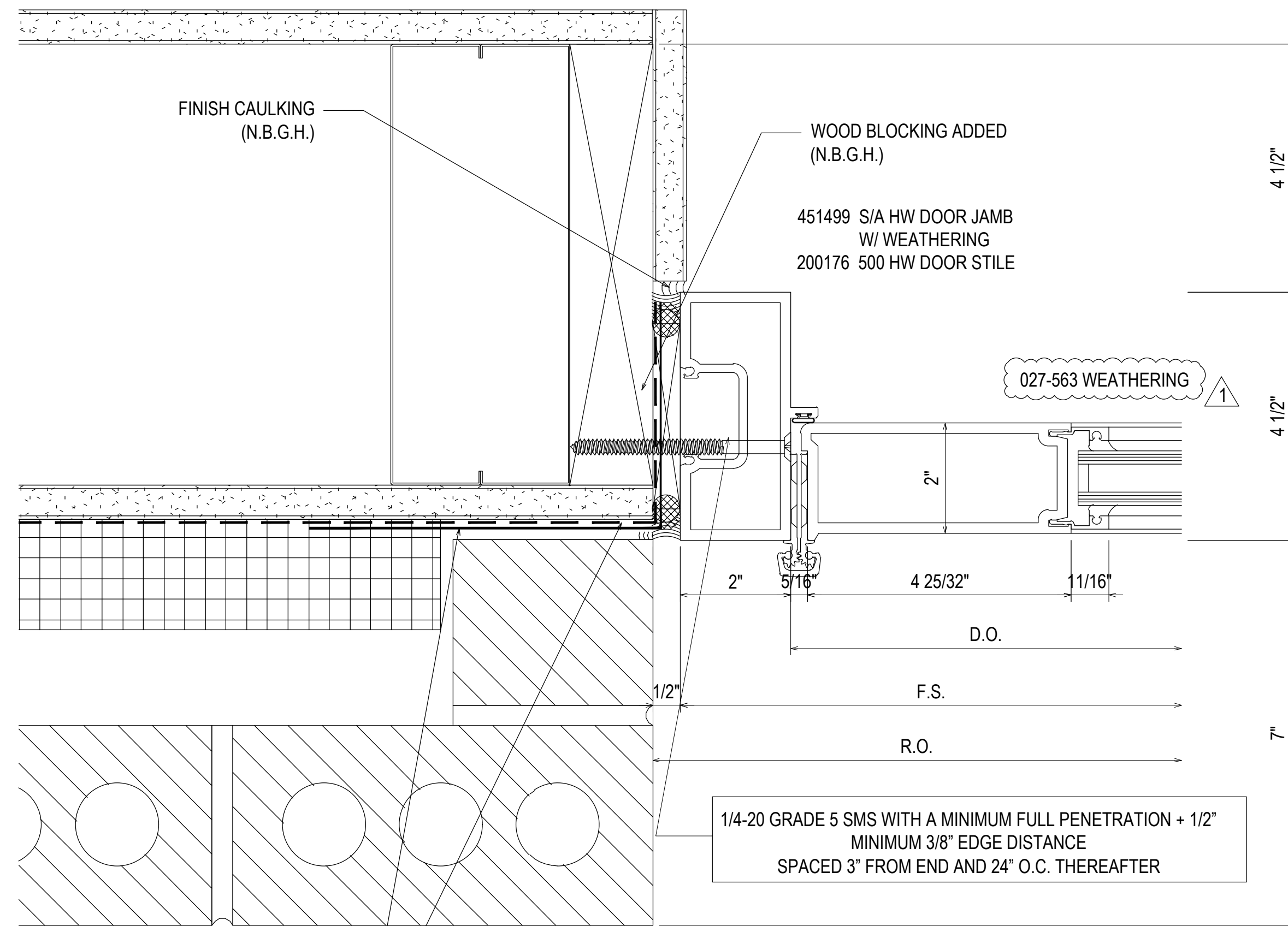
REV	DESCRIPTION	DATE
1	1ST REVISION (RA)	06.19.21
2	2ND REVISION (ENGINEERING)	06.03.21
3	3RD REVISION (MULLION RESISTANT)	06.03.21
NO	DESCRIPTION	

BETHEL HANBERRY ELEMENTARY SCHOOL
EXTERIOR SUBMITTAL
125 BONEY ROAD, BLYTHEWOOD, SC 29016

GRAHAM-HODGE ASSOCIATES INC.

JOB #
20-018

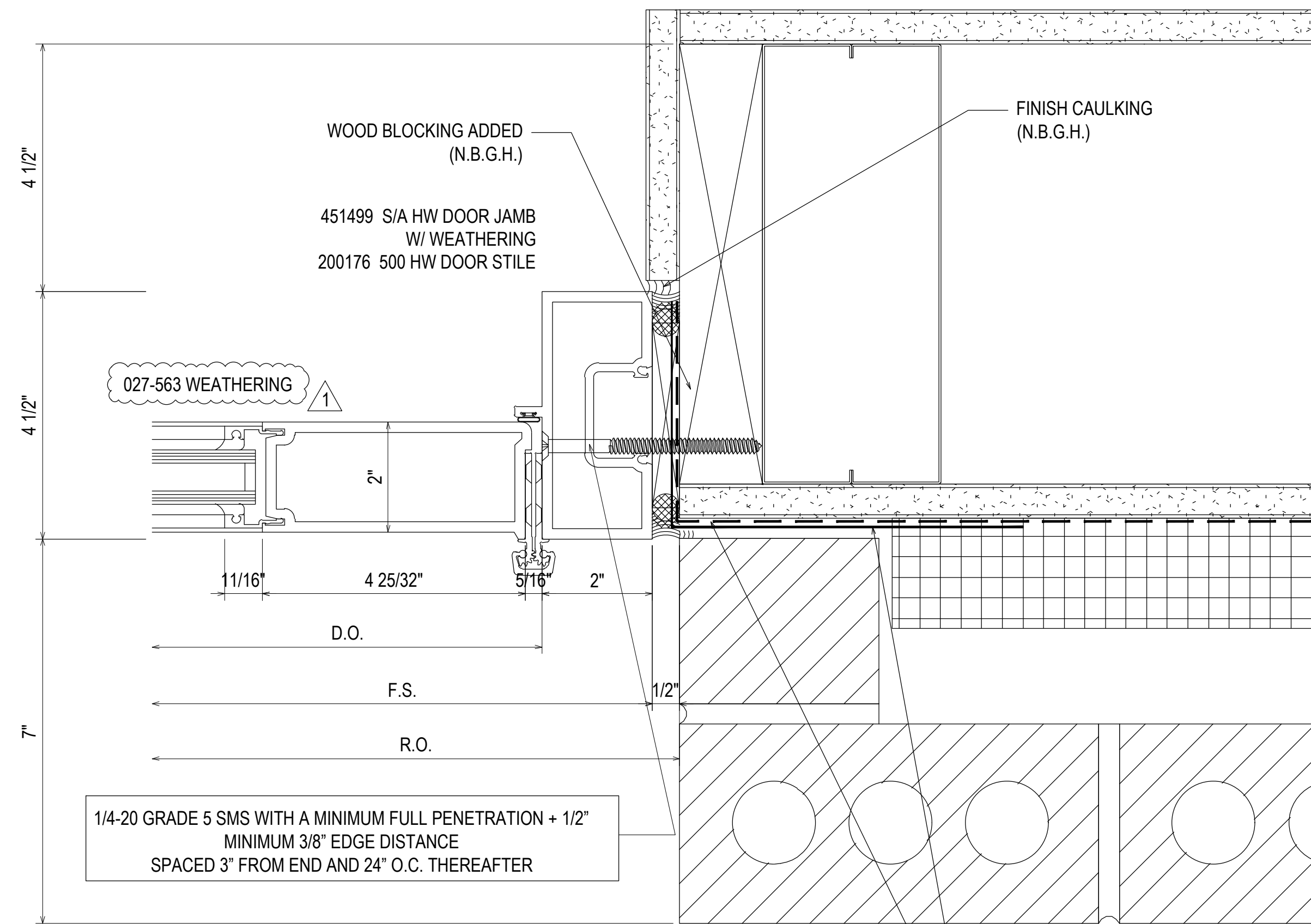
DRAWN BY:	DATE:
RA	04.23.21
CHECKED BY:	DATE:
EW	04.23.21



AIR BARRIER
(N.B.G.H.)
FLEXIBLE FLASHING
(N.B.G.H.)

1/4-20 GRADE 5 SMS WITH A MINIMUM FULL PENETRATION + 1/2"
MINIMUM 3/8" EDGE DISTANCE
SPACED 3" FROM END AND 24" O.C. THEREAFTER

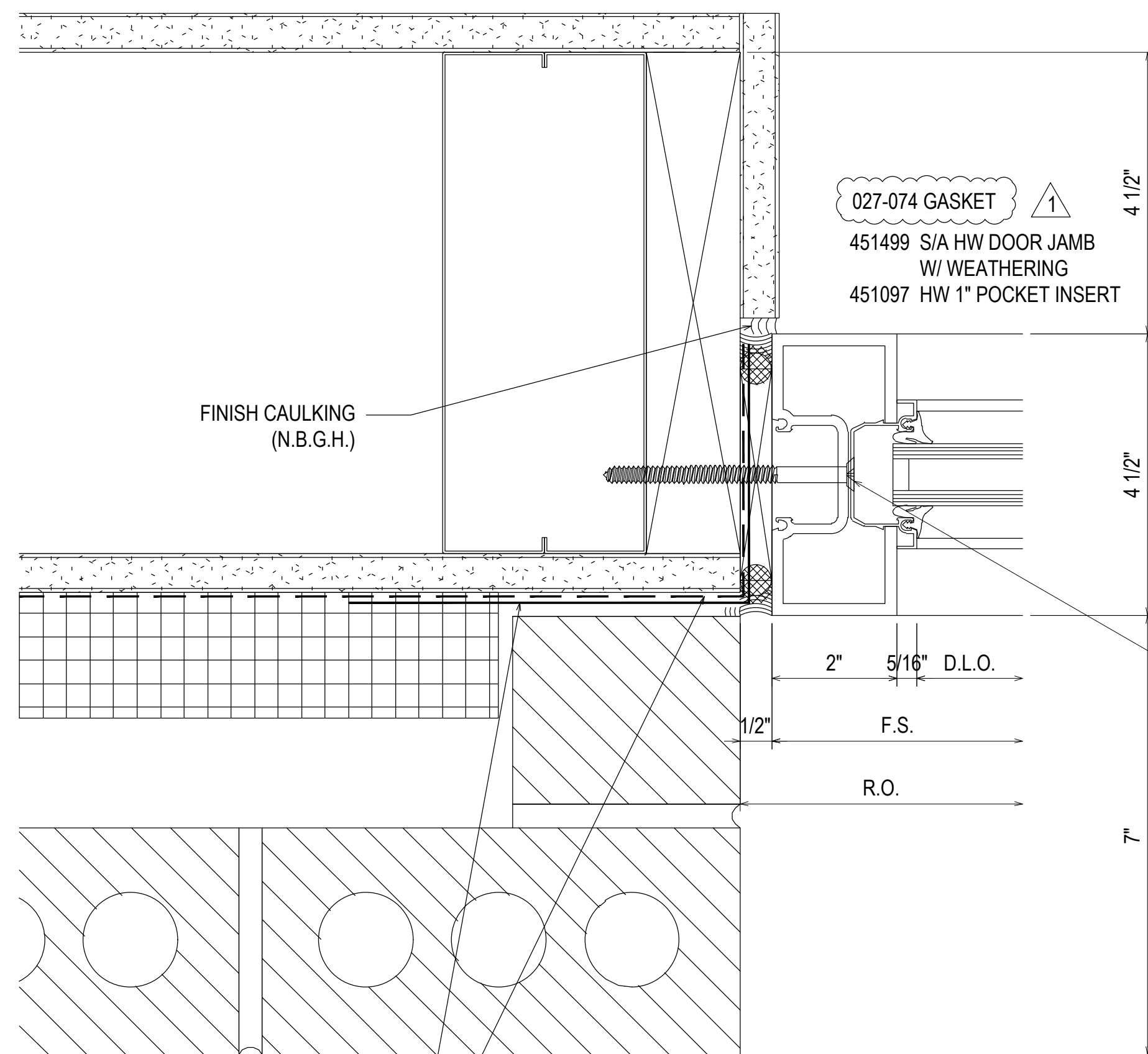
112
3.29
REF: D7/A211
SF22 - SF22SS



AIR BARRIER
(N.B.G.H.)
FLEXIBLE FLASHING
(N.B.G.H.)

1/4-20 GRADE 5 SMS WITH A MINIMUM FULL PENETRATION + 1/2"
MINIMUM 3/8" EDGE DISTANCE
SPACED 3" FROM END AND 24" O.C. THEREAFTER

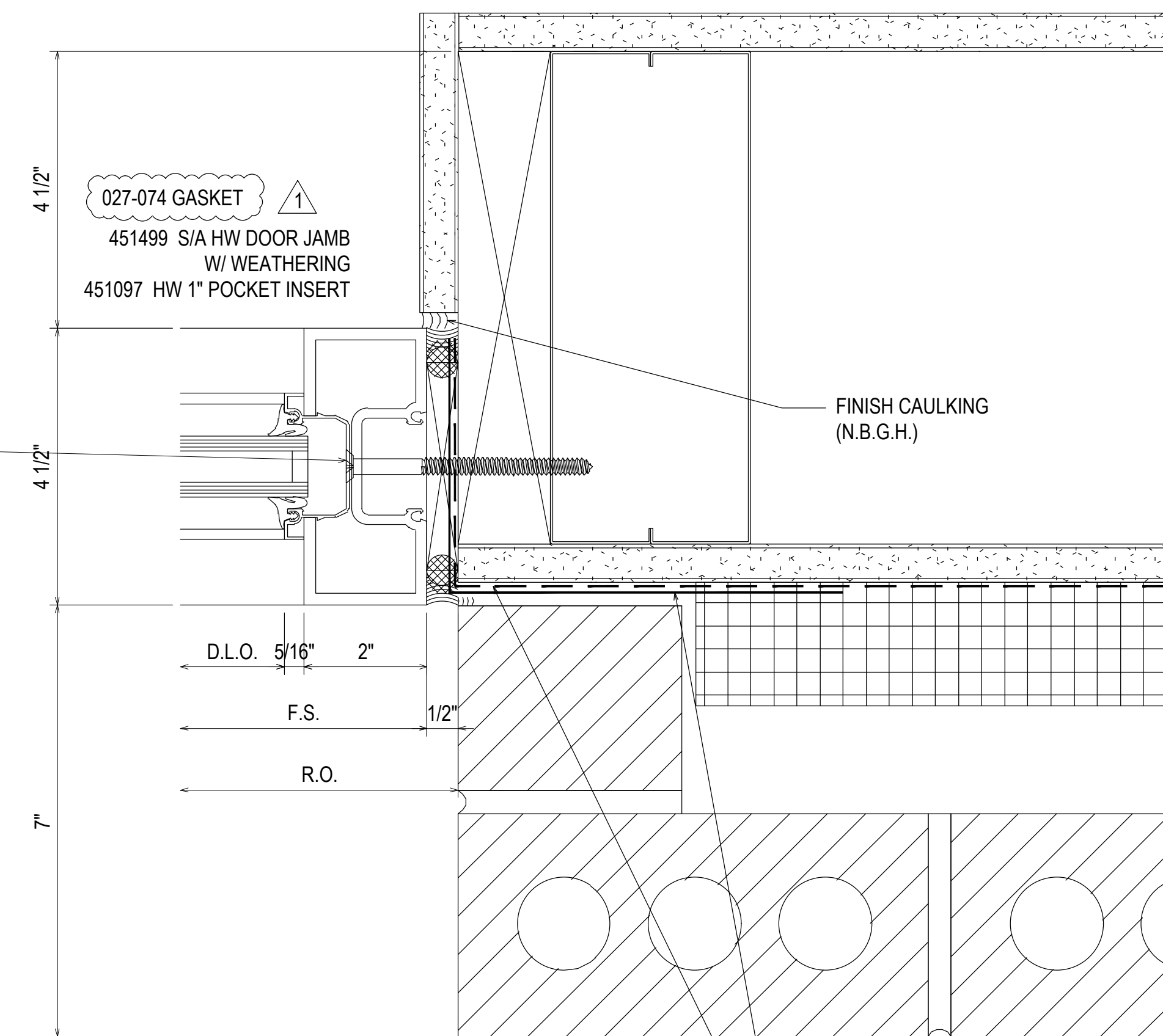
113
3.29
REF: D7/A211
SF22 - SF22SS



AIR BARRIER
(N.B.G.H.)
FLEXIBLE FLASHING
(N.B.G.H.)

1/4-20 GRADE 5 SMS WITH A MINIMUM FULL PENETRATION + 1/2"
MINIMUM 3/8" EDGE DISTANCE
SPACED 3" FROM END AND 24" O.C. THEREAFTER

114
3.29
REF: D7/A211
SF22 - SF22SS



AIR BARRIER
(N.B.G.H.)
FLEXIBLE FLASHING
(N.B.G.H.)

115
3.29
REF: D7/A211
SF21 - SF21SS

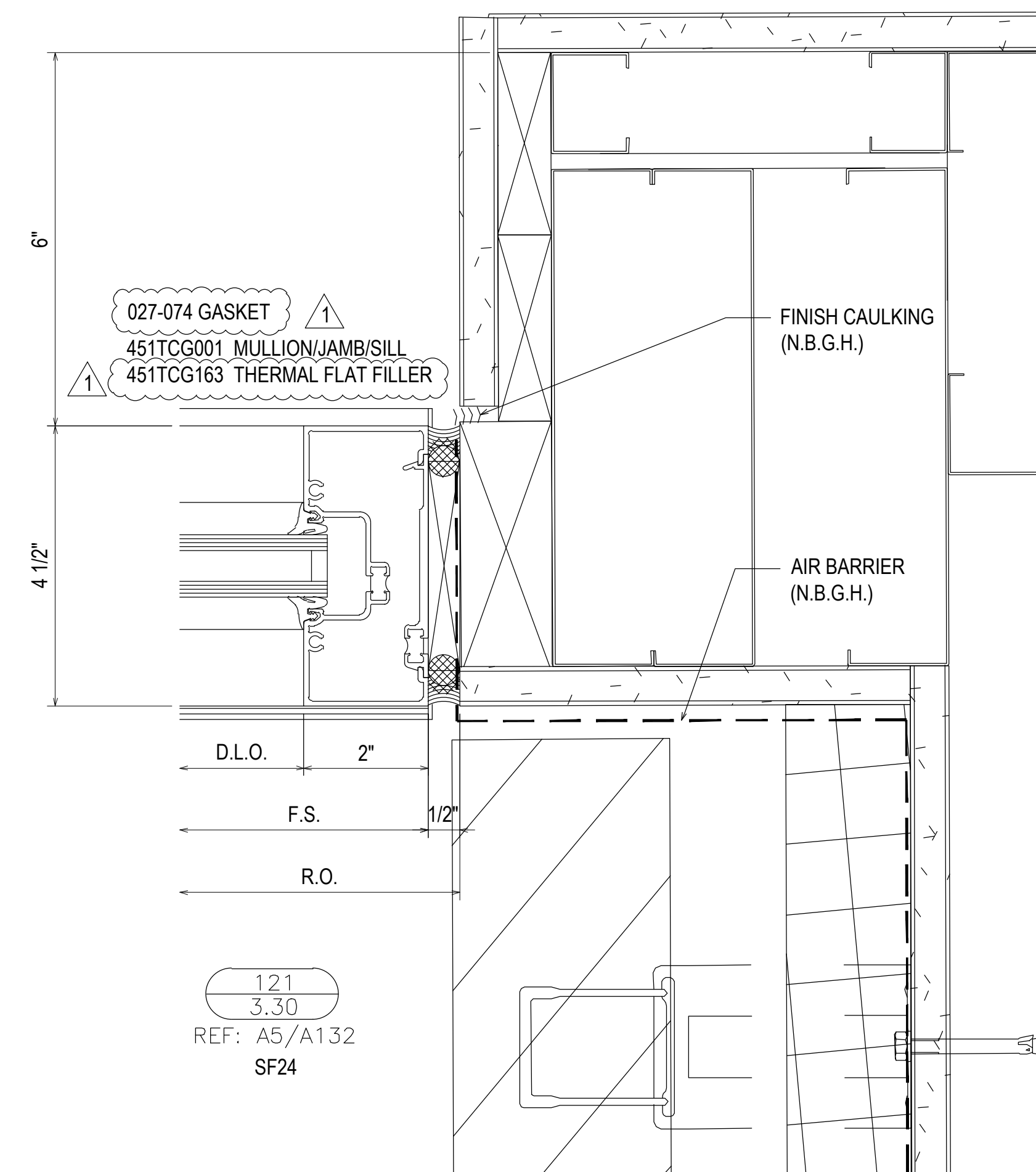
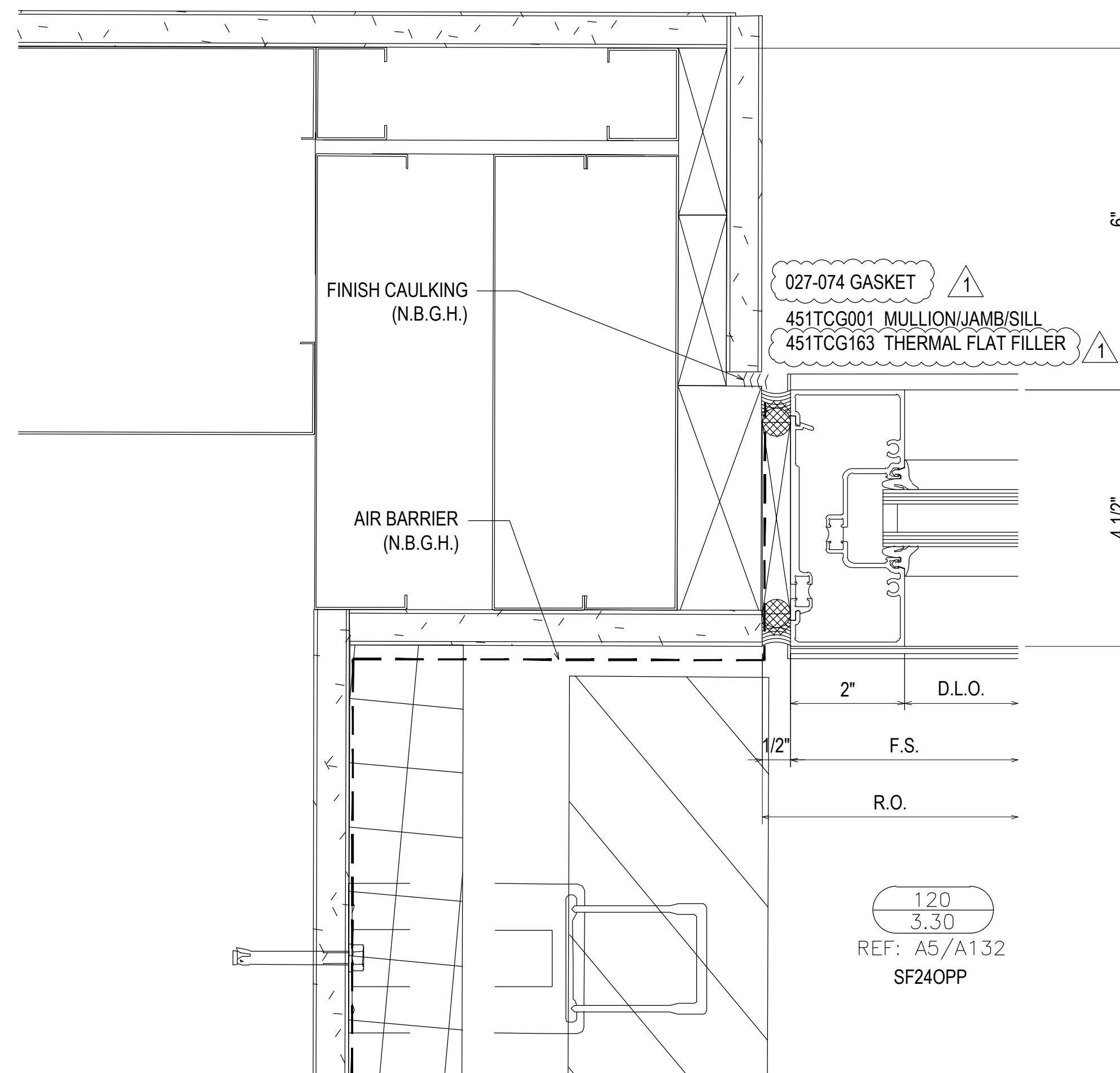
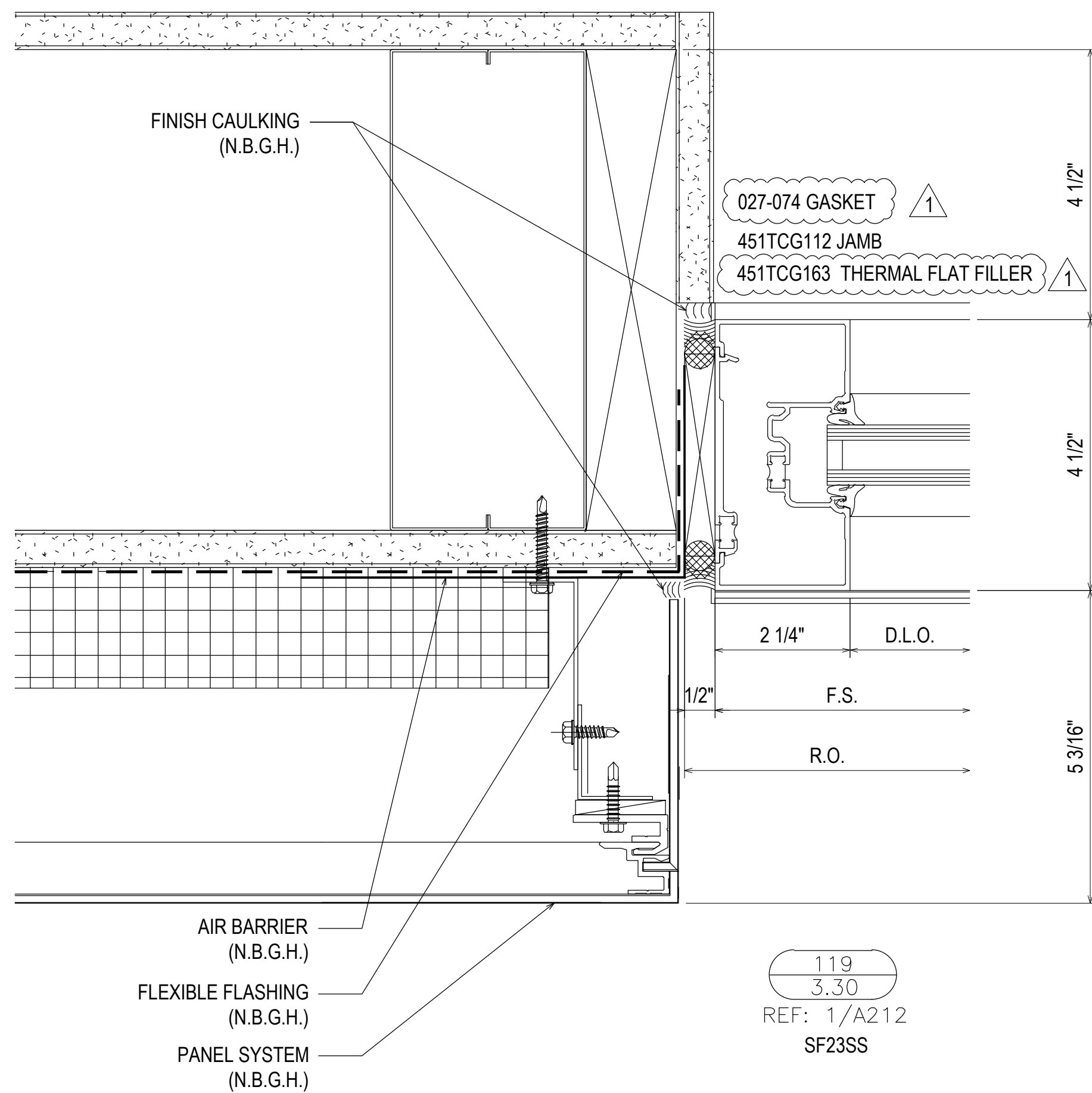
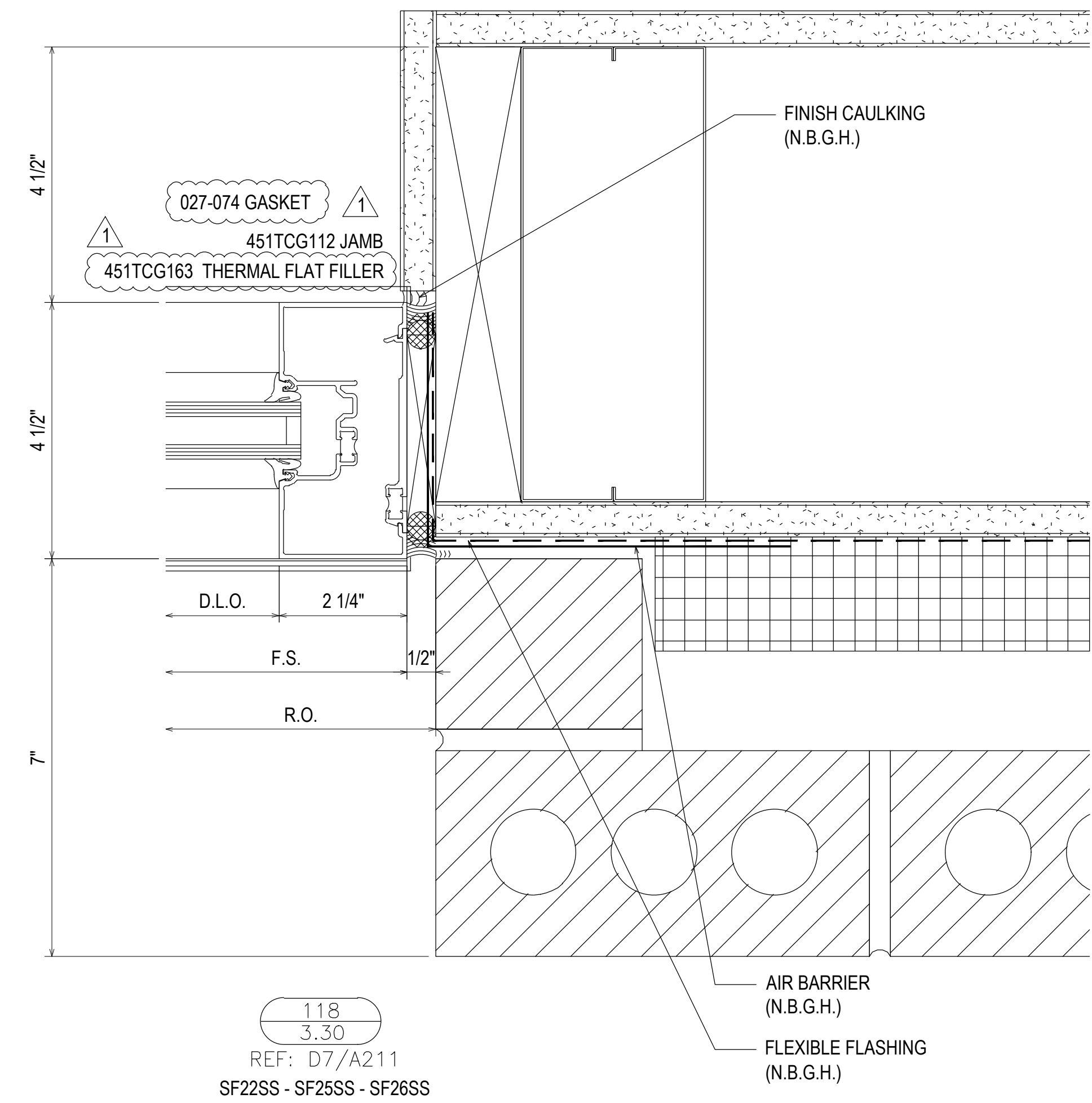
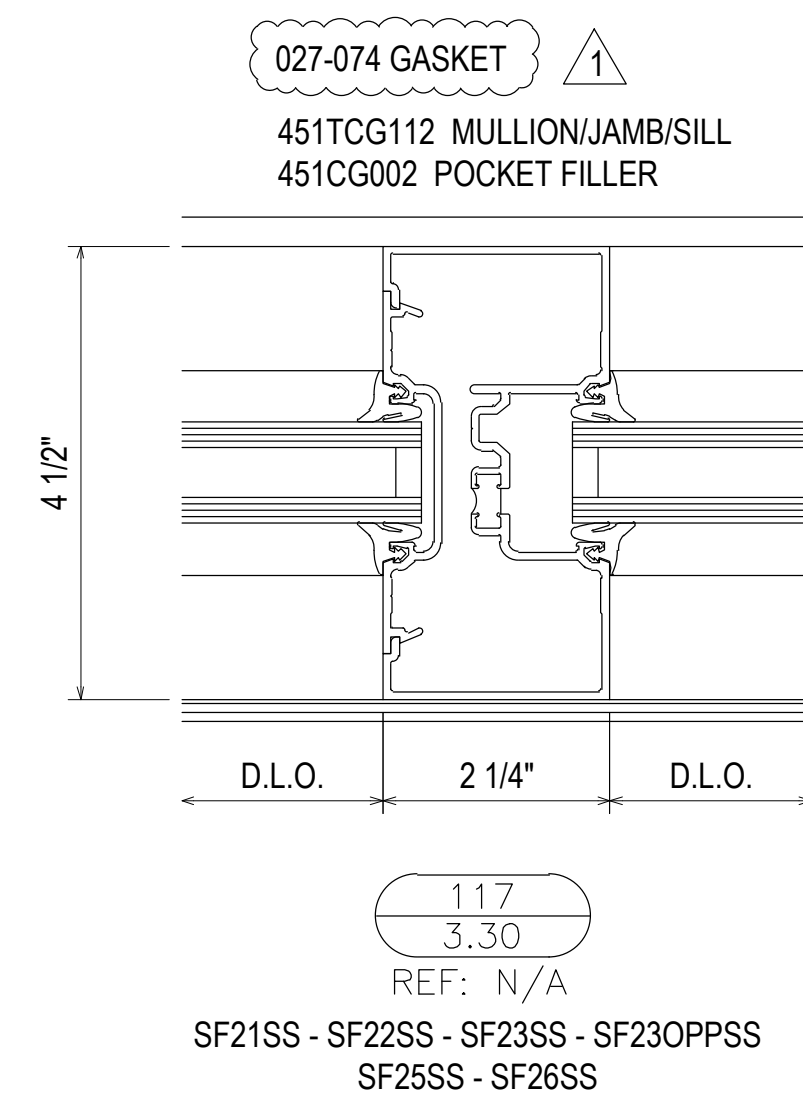
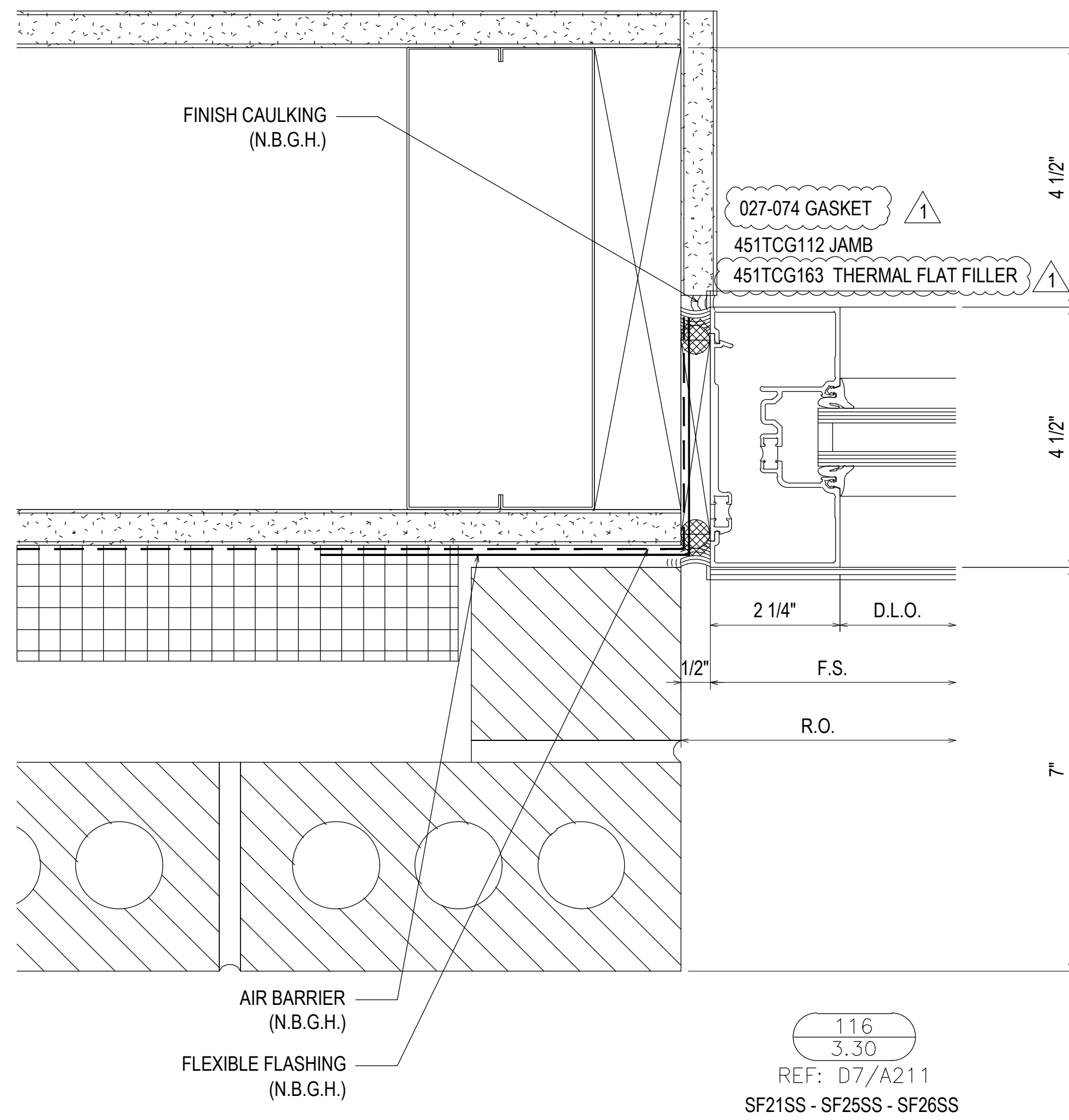
REV.	DESCRIPTION	DATE
1	1ST REVISION (RA)	06.19.21
2	2ND REVISION (ENGINEERING)	06.08.21
3	3RD REVISION (BULLET RESISTANT)	08.03.21
NO	DESCRIPTION	

BETHEL HANBERRY ELEMENTARY SCHOOL
EXTERIOR SUBMITTAL
125 BONEY ROAD, BLYTHEWOOD, SC 29016

GRAHAM-HODGE
ASSOCIATES INC.
JOB #
20-018

DRAWN BY:	DATE:
RA	04.23.21
CHECKED BY:	DATE:
EW	04.23.21

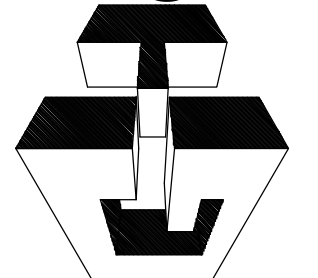
3.29



REV.	DESCRIPTION	DATE
1	1ST REVISION (RA)	06.19.21
2	2ND REVISION (ENGINEERING)	06.08.21
3	3RD REVISION (MULLION RESISTANT)	08.03.21
NO	DESCRIPTION	

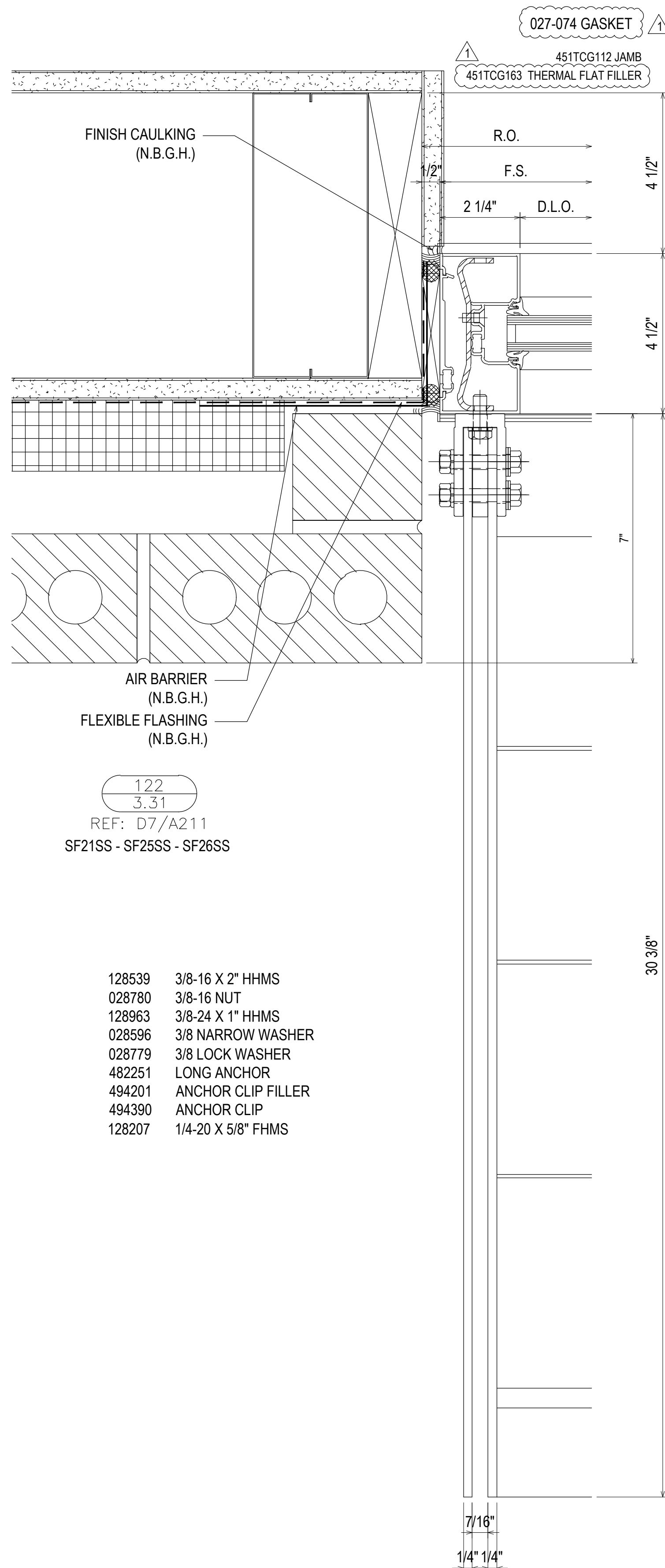
BETHEL HANBERRY ELEMENTARY SCHOOL
EXTERIOR SUBMITTAL
 125 BONEY ROAD, BLYTHEWOOD, SC 29016

GRAHAM-HODGE
 ASSOCIATES INC.



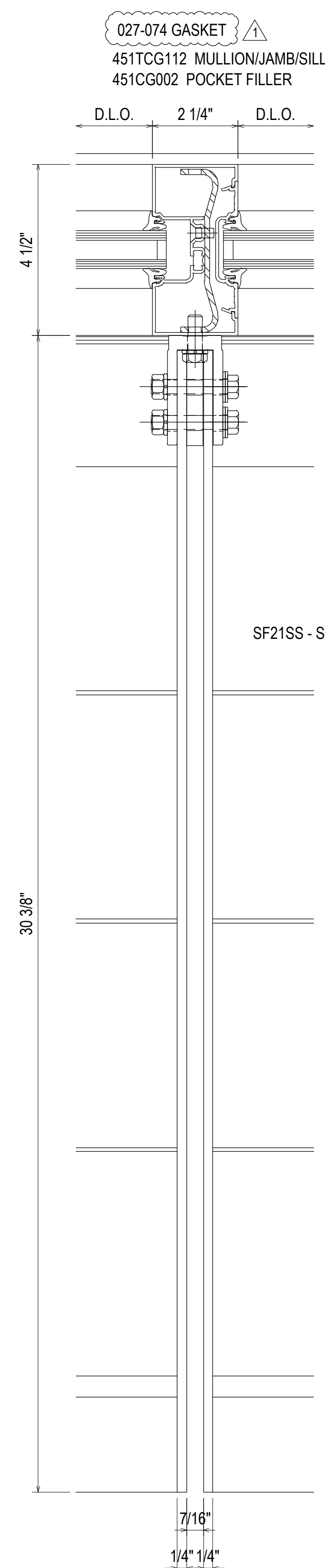
JOB #
20-018

DRAWN BY:	DATE:
RA	04.23.21
CHECKED BY:	DATE:
EW	04.23.21



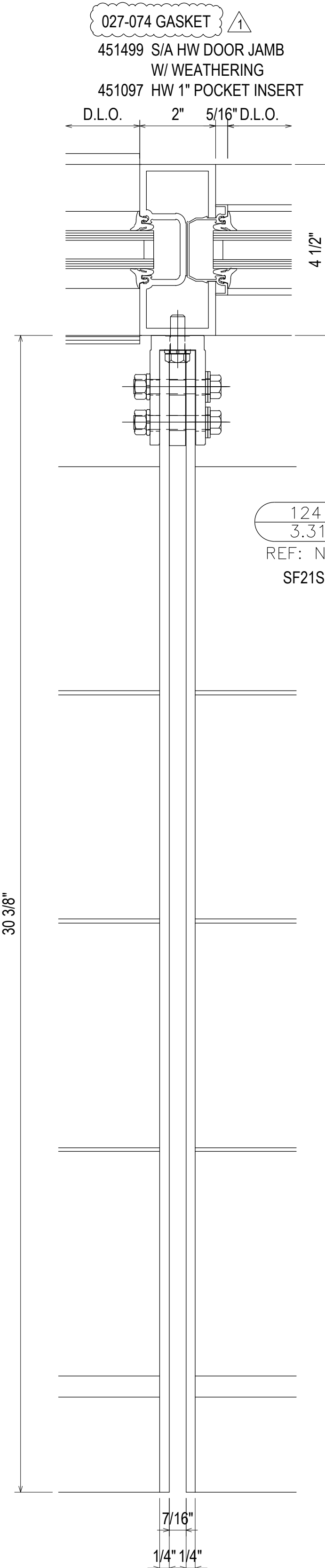
- 128539 3/8-16 X 2" HHMS
- 028780 3/8-16 NUT
- 128963 3/8-24 X 1" HHMS
- 028596 3/8 NARROW WASHER
- 028779 3/8 LOCK WASHER
- 482251 LONG ANCHOR
- 494201 ANCHOR CLIP FILLER
- 494390 ANCHOR CLIP
- 128207 1/4-20 X 5/8" FHMS

122
3.31
REF: D7/A211
SF21SS - SF25SS - SF26SS



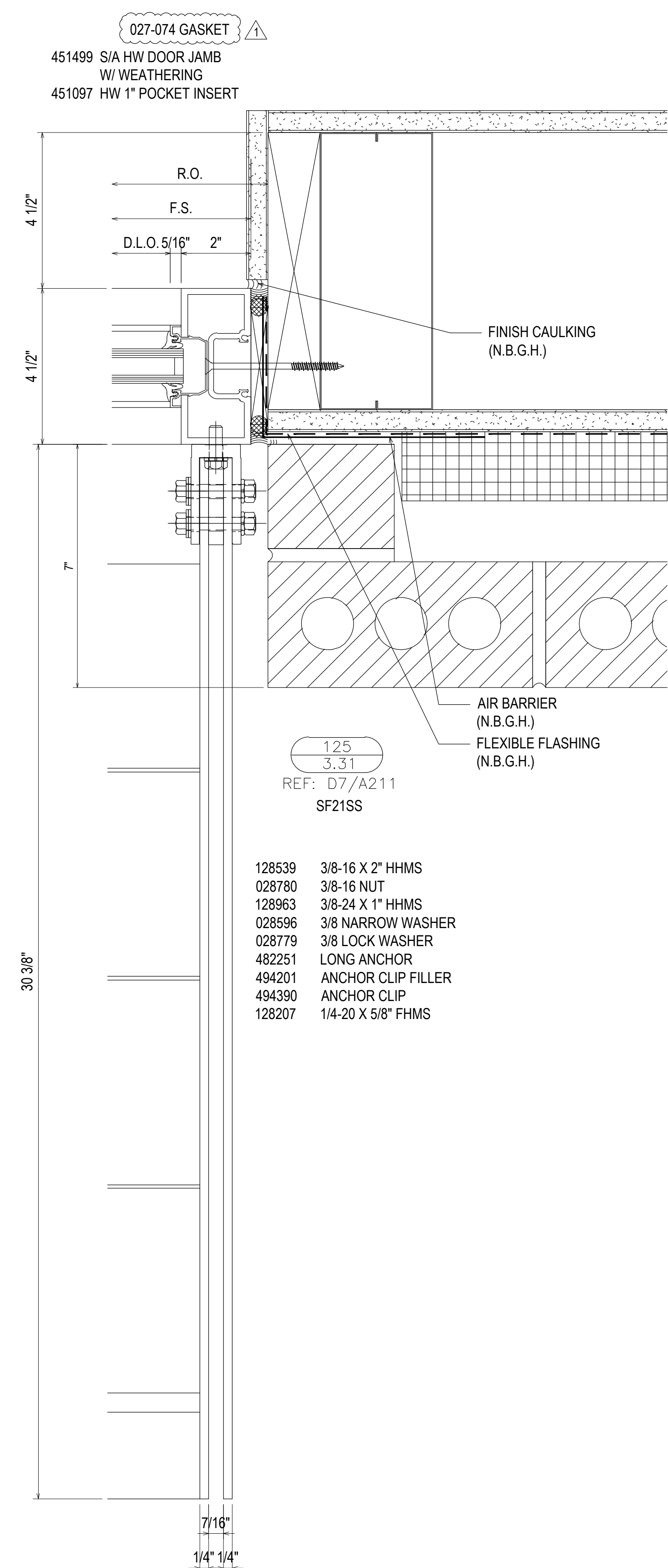
123
3.31
REF: N/A
SF21SS - SF22SS - SF23SS - SF23OPSS
SF25SS - SF26SS

- 128539 3/8-16 X 2" HHMS
- 028780 3/8-16 NUT
- 128963 3/8-24 X 1" HHMS
- 028596 3/8 NARROW WASHER
- 028779 3/8 LOCK WASHER
- 482251 LONG ANCHOR
- 494201 ANCHOR CLIP FILLER
- 494390 ANCHOR CLIP
- 128207 1/4-20 X 5/8" FHMS



124
3.31
REF: N/A
SF21SS

NOTE: ENGINEER TO DETERMINE IF HEAVY WALL DOOR JAMBS CAN BARE WEIGHT OF SUNSHADE WITHOUT STEEL REINFORCING

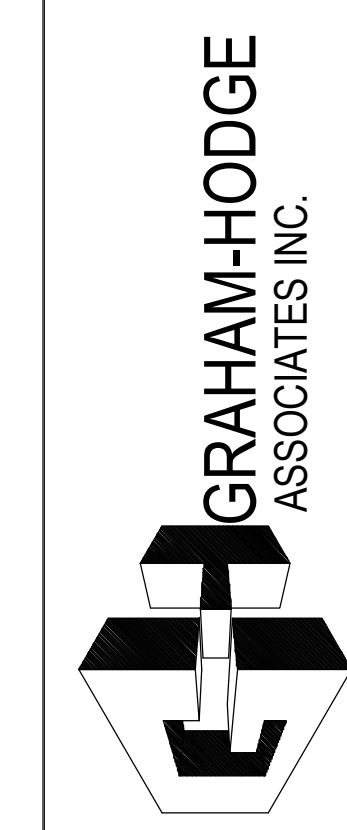


125
3.31
REF: D7/A211
SF21SS

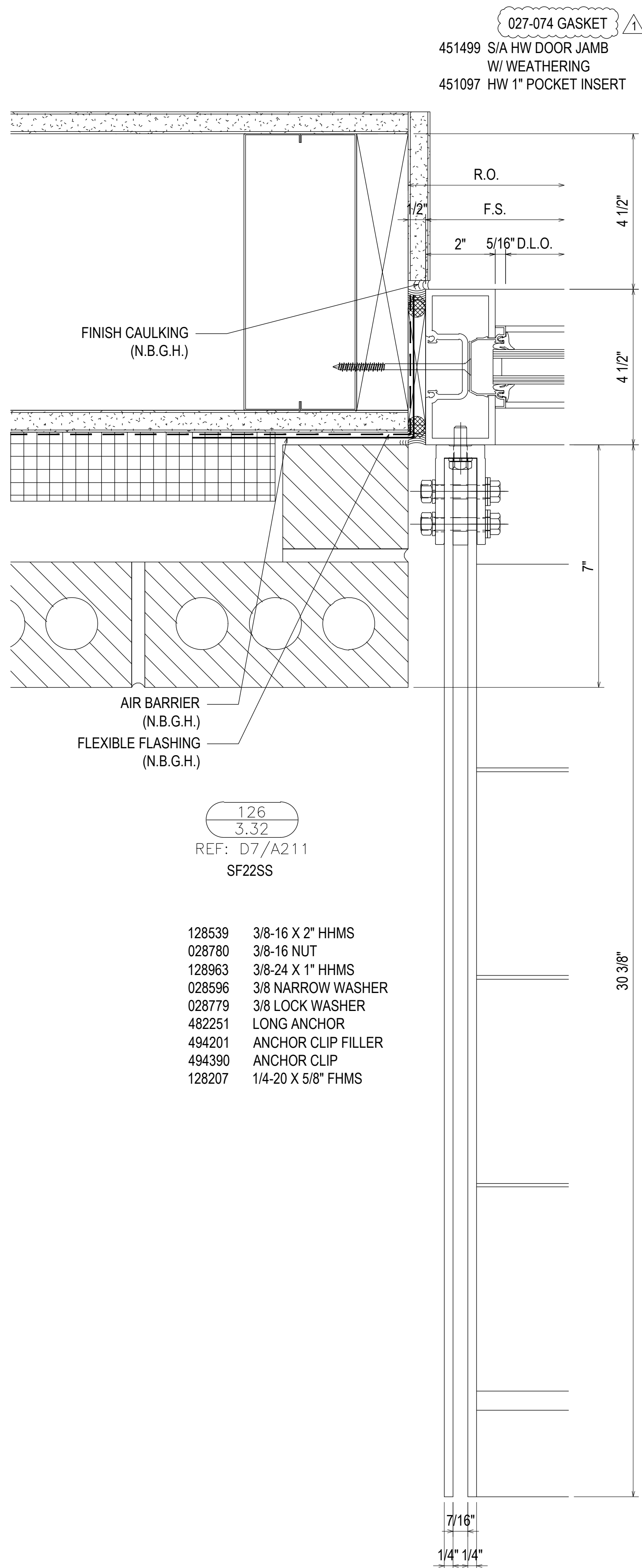
- 128539 3/8-16 X 2" HHMS
- 028780 3/8-16 NUT
- 128963 3/8-24 X 1" HHMS
- 028596 3/8 NARROW WASHER
- 028779 3/8 LOCK WASHER
- 482251 LONG ANCHOR
- 494201 ANCHOR CLIP FILLER
- 494390 ANCHOR CLIP
- 128207 1/4-20 X 5/8" FHMS

REV	DESCRIPTION	DATE
1	1ST REVISION (RA)	06.19.21
2	2ND REVISION (ENGINEERING)	06.08.21
3	3RD REVISION (BULLET RESISTANT)	08.03.21
NO	DESCRIPTION	

BETHEL HANBERRY ELEMENTARY SCHOOL
EXTERIOR SUBMITTAL
125 BONEY ROAD, BLYTHEWOOD, SC 29016



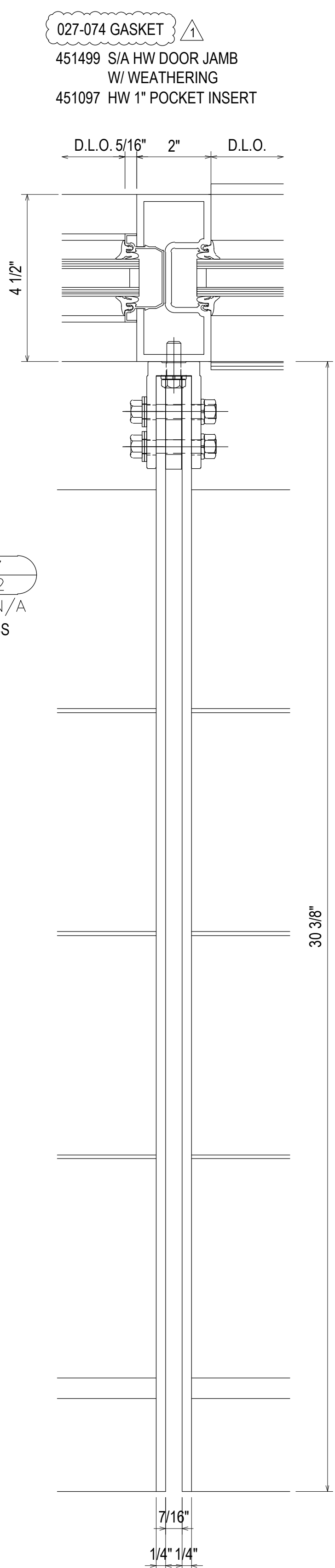
JOB #
20-018
DRAWN BY: RA DATE: 04.23.21
CHECKED BY: DATE: 04.23.21
EW DATE: 04.23.21



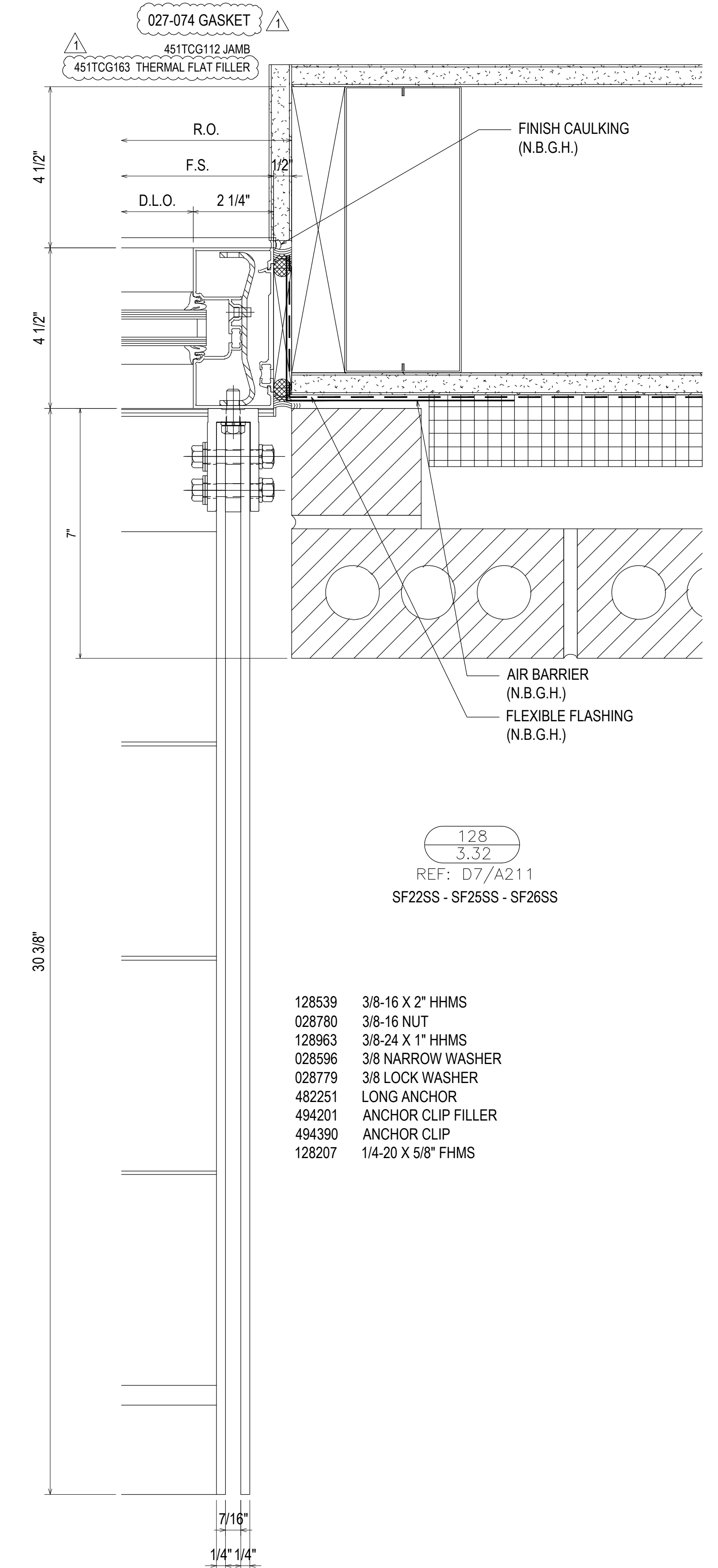
- 128539 3/8-16 X 2" HHMS
- 028780 3/8-16 NUT
- 128963 3/8-24 X 1" HHMS
- 028596 3/8 NARROW WASHER
- 028779 3/8 LOCK WASHER
- 482251 LONG ANCHOR
- 494201 ANCHOR CLIP FILLER
- 494390 ANCHOR CLIP
- 128207 1/4-20 X 5/8" FHMS

NOTE: ENGINEER TO DETERMINE IF HEAVY WALL DOOR JAMBS CAN BARE WEIGHT OF SUNSHADE WITHOUT STEEL REINFORCING

127
3.32
REF: N/A
SF22SS



- 128539 3/8-16 X 2" HHMS
- 028780 3/8-16 NUT
- 128963 3/8-24 X 1" HHMS
- 028596 3/8 NARROW WASHER
- 028779 3/8 LOCK WASHER
- 482251 LONG ANCHOR
- 494201 ANCHOR CLIP FILLER
- 494390 ANCHOR CLIP
- 128207 1/4-20 X 5/8" FHMS



- 128539 3/8-16 X 2" HHMS
- 028780 3/8-16 NUT
- 128963 3/8-24 X 1" HHMS
- 028596 3/8 NARROW WASHER
- 028779 3/8 LOCK WASHER
- 482251 LONG ANCHOR
- 494201 ANCHOR CLIP FILLER
- 494390 ANCHOR CLIP
- 128207 1/4-20 X 5/8" FHMS

REV.	DESCRIPTION	DATE
1	1ST REVISION (RA)	06.19.21
2	2ND REVISION (ENGINEERING)	06.08.21
3	3RD REVISION (BULLET RESISTANT)	08.03.21
NO	DESCRIPTION	

BETHEL HANBERRY ELEMENTARY SCHOOL
EXTERIOR SUBMITTAL
125 BONEY ROAD, BLYTHEWOOD, SC 29016



JOB #
20-018

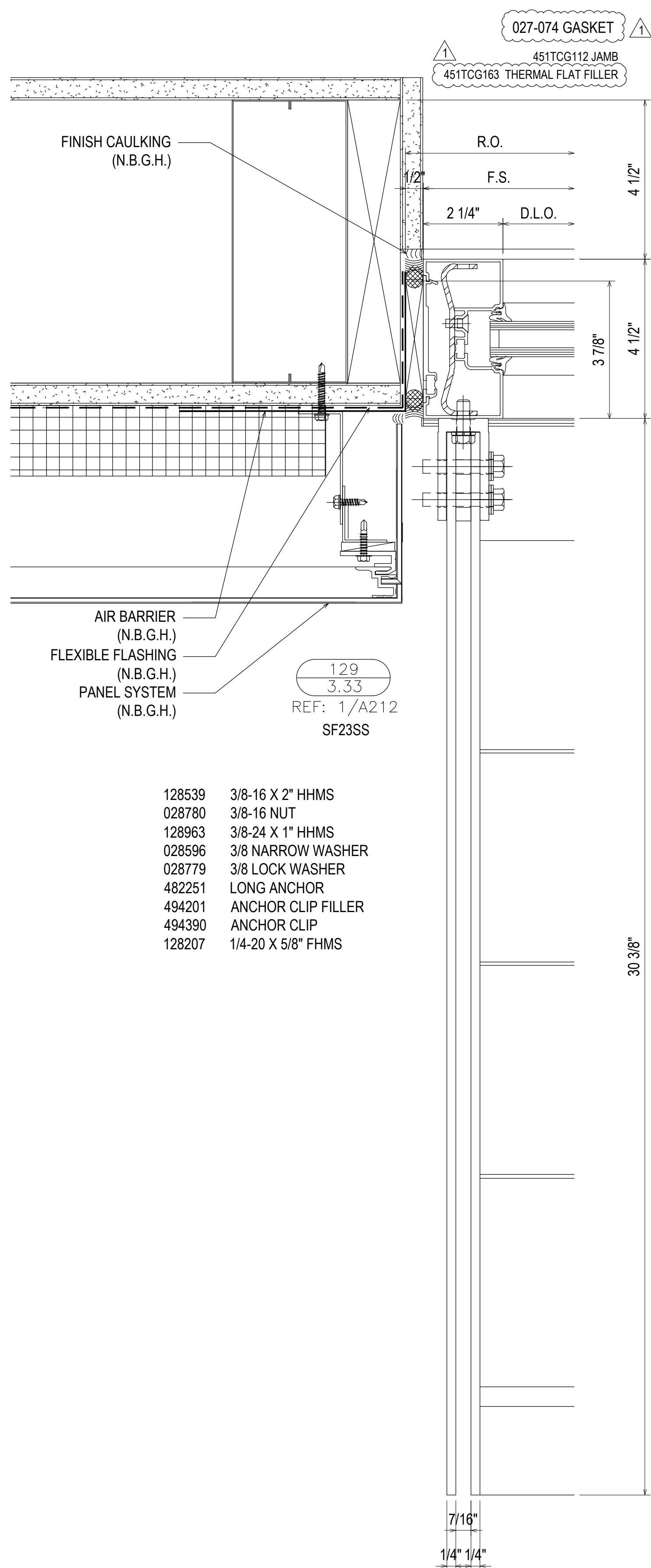
DRAWN BY:	DATE:
RA	04.23.21
CHECKED BY:	DATE:
EW	04.23.21

3.32

DRAWING SUBMISSION

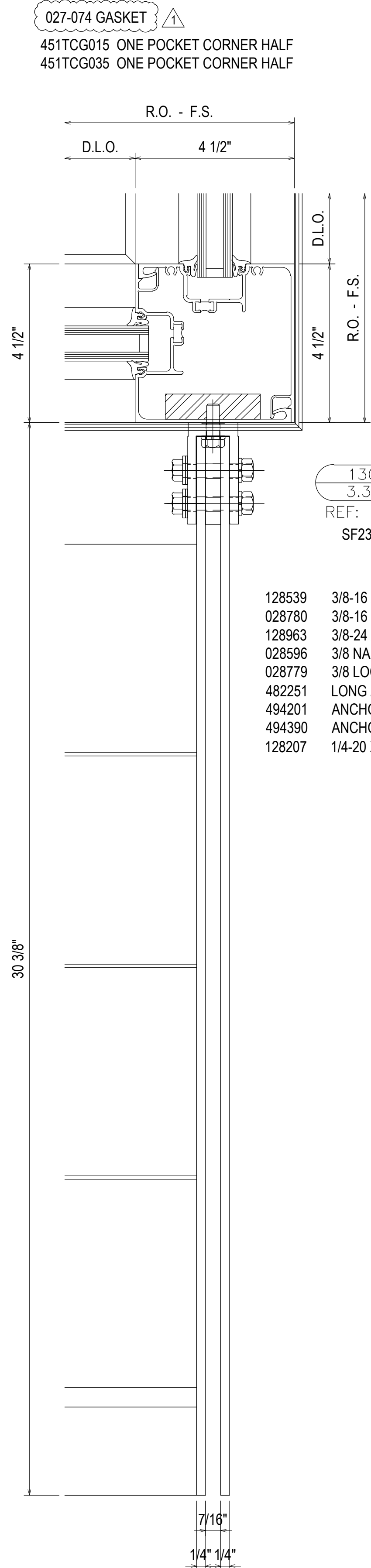
NOTE: ENGINEER TO DETERMINE WHAT STEEL BACKUP PLATE WILL BE REQUIRED @ 90° CORNER TO SUPPORT SUNSHADES

NOTE: ENGINEER TO DETERMINE WHAT STEEL BACKUP PLATE WILL BE REQUIRED @ 90° CORNER TO SUPPORT SUNSHADES



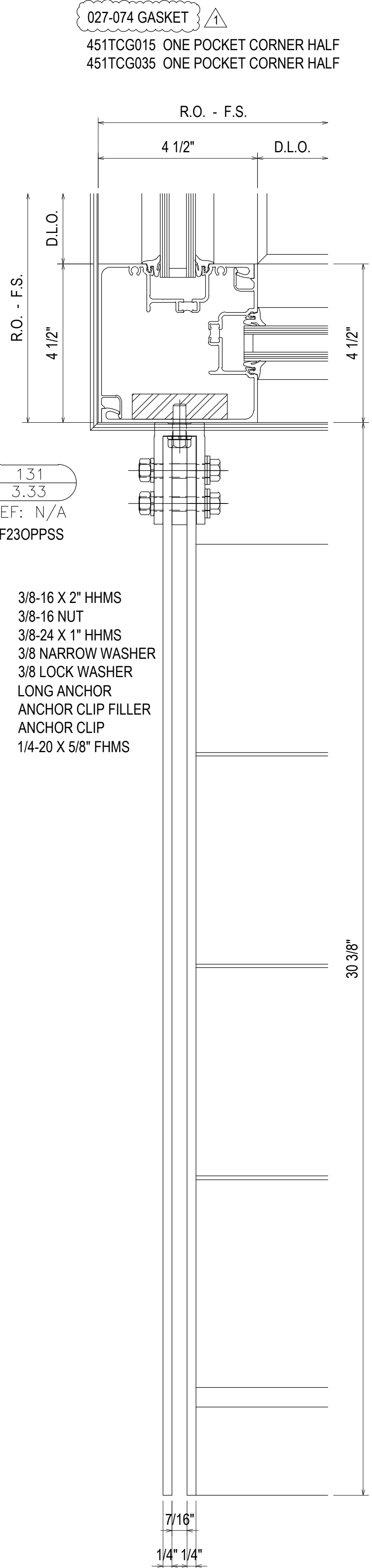
- 128539 3/8-16 X 2" HHMS
- 028780 3/8-16 NUT
- 128963 3/8-24 X 1" HHMS
- 028596 3/8 NARROW WASHER
- 028779 3/8 LOCK WASHER
- 482251 LONG ANCHOR
- 494201 ANCHOR CLIP FILLER
- 494390 ANCHOR CLIP
- 128207 1/4-20 X 5/8" FHMS

129
3.33
REF: 1/A212
SF23SS



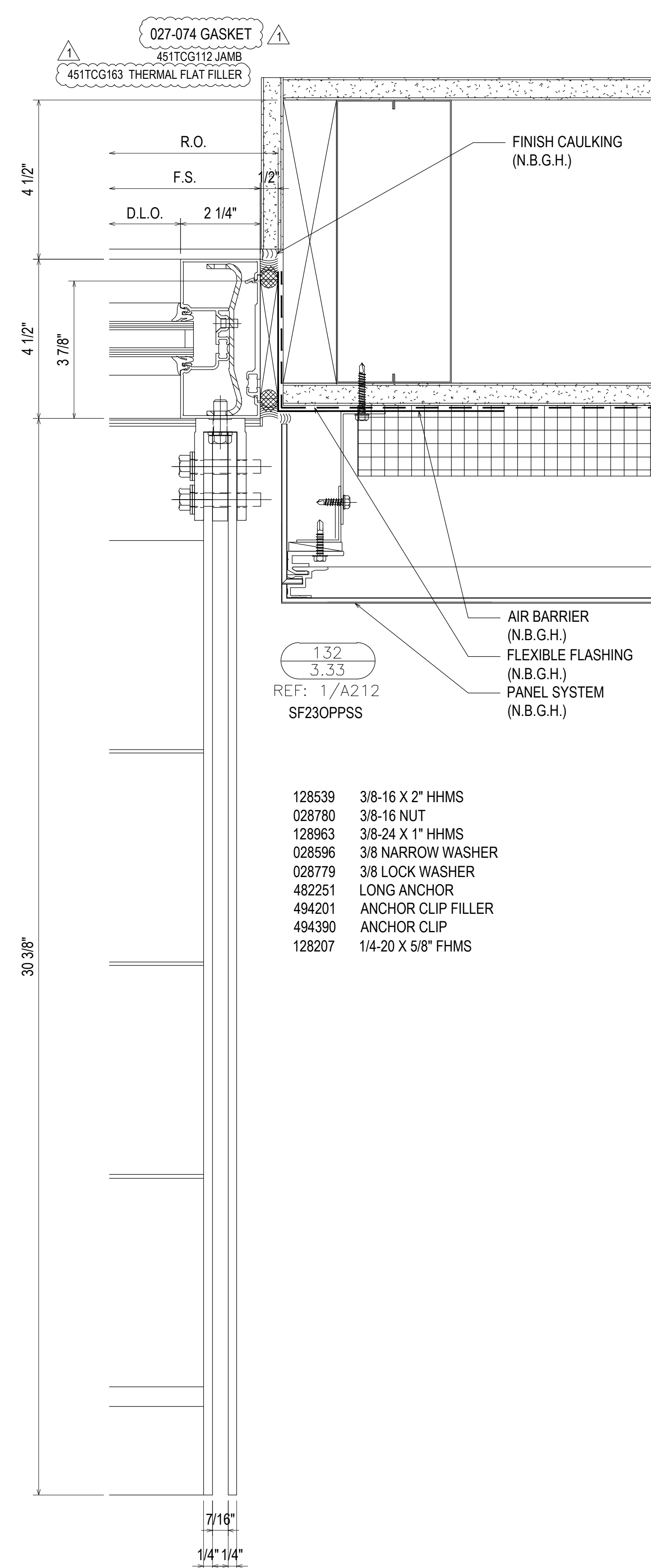
- 128539 3/8-16 X 2" HHMS
- 028780 3/8-16 NUT
- 128963 3/8-24 X 1" HHMS
- 028596 3/8 NARROW WASHER
- 028779 3/8 LOCK WASHER
- 482251 LONG ANCHOR
- 494201 ANCHOR CLIP FILLER
- 494390 ANCHOR CLIP
- 128207 1/4-20 X 5/8" FHMS

130
3.33
REF: N/A
SF23SS



- 128539 3/8-16 X 2" HHMS
- 028780 3/8-16 NUT
- 128963 3/8-24 X 1" HHMS
- 028596 3/8 NARROW WASHER
- 028779 3/8 LOCK WASHER
- 482251 LONG ANCHOR
- 494201 ANCHOR CLIP FILLER
- 494390 ANCHOR CLIP
- 128207 1/4-20 X 5/8" FHMS

131
3.33
REF: N/A
SF23OPPSS



- 128539 3/8-16 X 2" HHMS
- 028780 3/8-16 NUT
- 128963 3/8-24 X 1" HHMS
- 028596 3/8 NARROW WASHER
- 028779 3/8 LOCK WASHER
- 482251 LONG ANCHOR
- 494201 ANCHOR CLIP FILLER
- 494390 ANCHOR CLIP
- 128207 1/4-20 X 5/8" FHMS

132
3.33
REF: 1/A212
SF23OPPSS

REV	DESCRIPTION	DATE
1	1ST REVISION (RA)	06.19.21
2	2ND REVISION (ENGINEERING)	06.08.21
3	3RD REVISION (MATERIAL RESISTANT)	06.03.21
NO	DESCRIPTION	

BETHEL HANBERRY ELEMENTARY SCHOOL
EXTERIOR SUBMITTAL
125 BONEY ROAD, BLYTHEWOOD, SC 29016

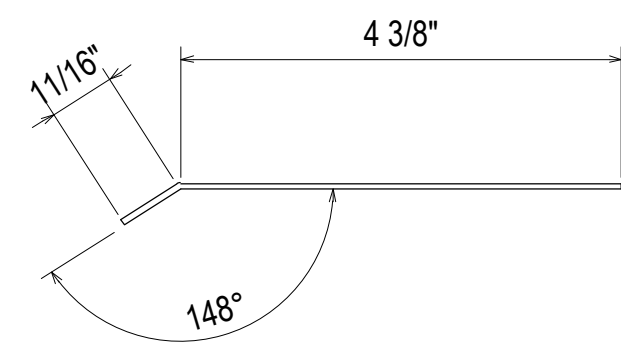
GRAHAM-HODGE
ASSOCIATES INC.

JOB #
20-018

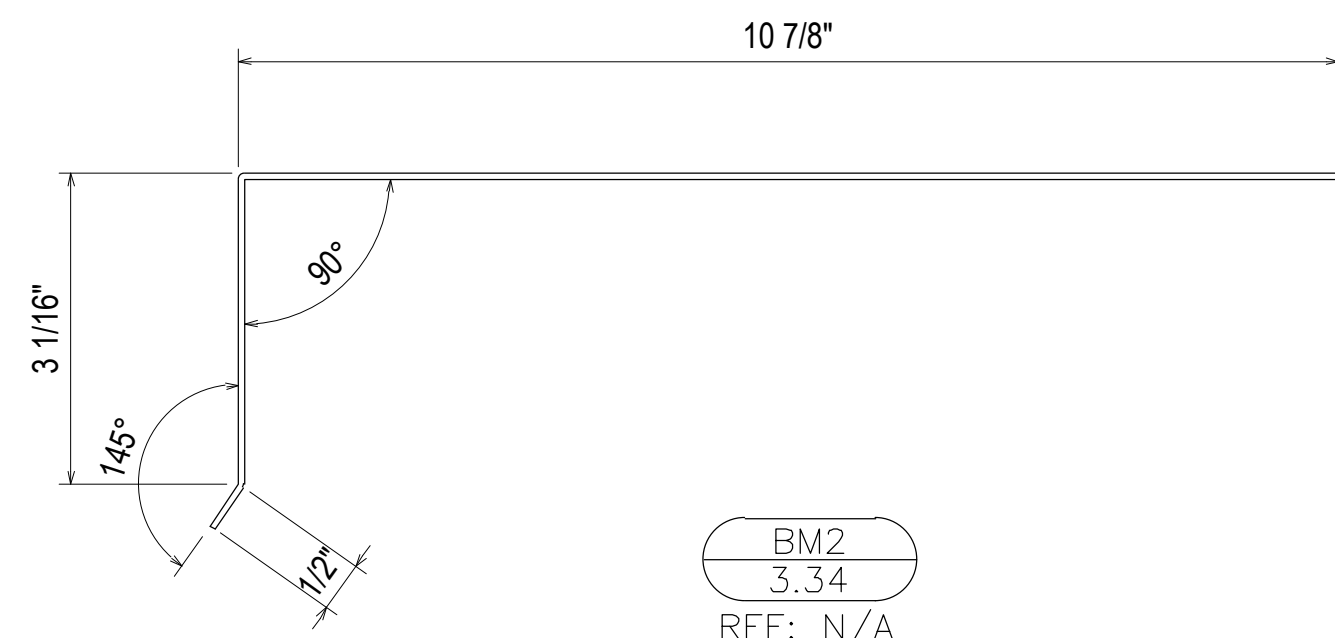
DRAWN BY:	DATE:
RA	04.23.21
CHECKED BY:	DATE:
EW	04.23.21

3.33

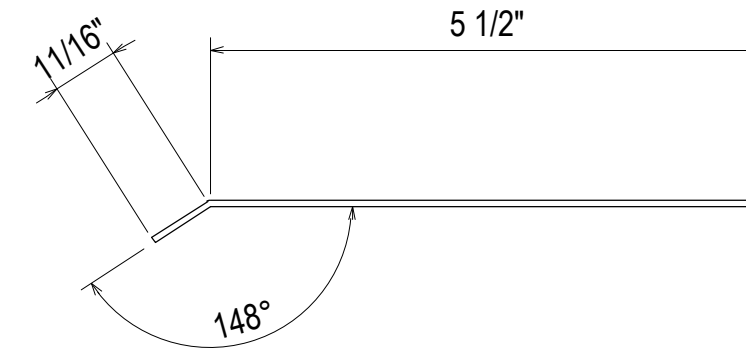
DRAWING SUBMISSION



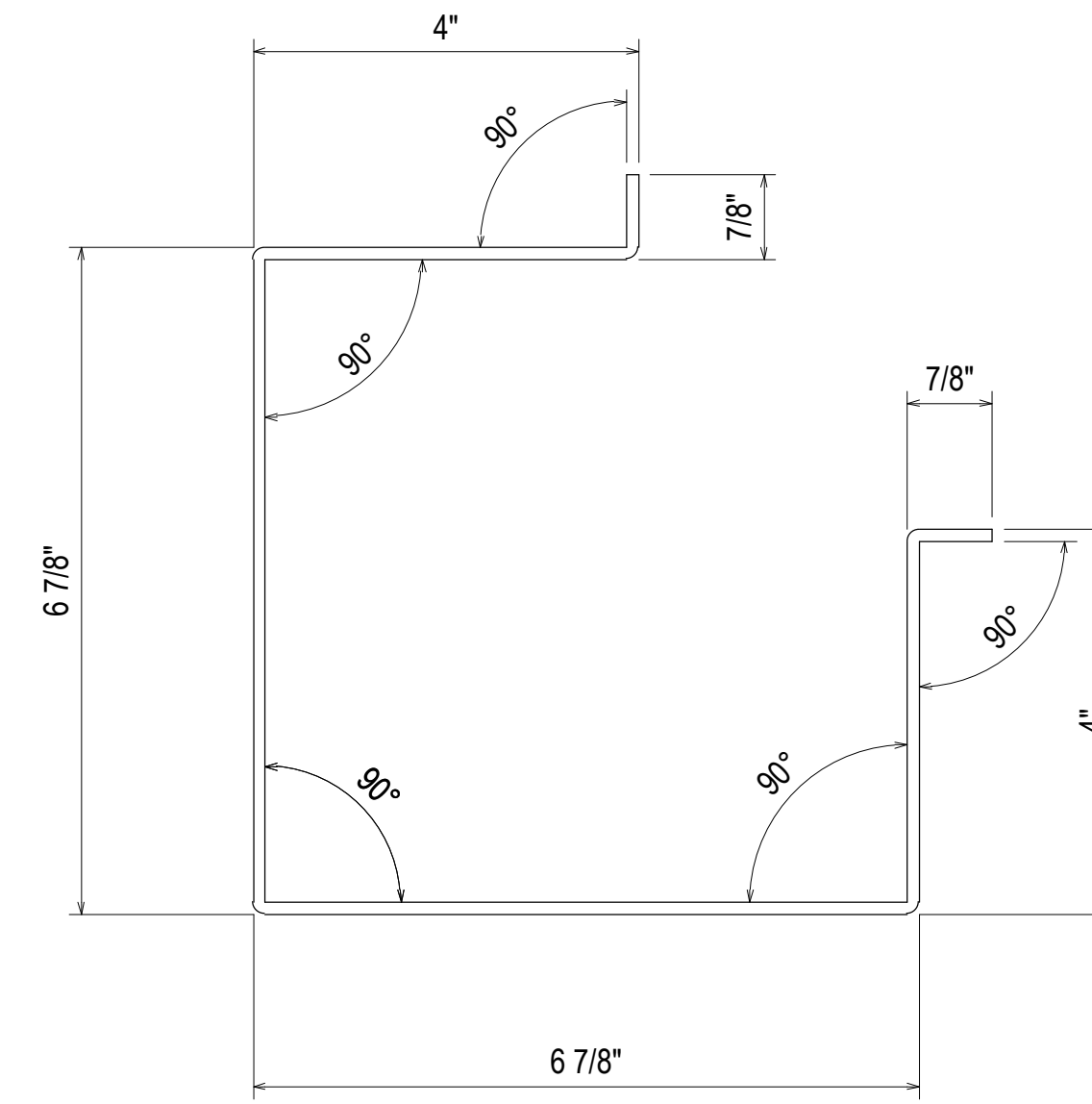
BM1
3.34
REF: N/A
SILL PAN



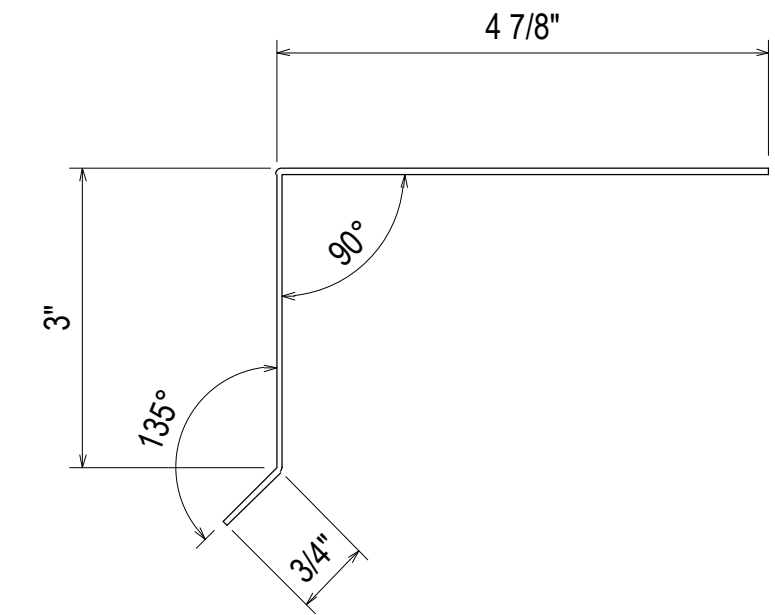
BM2
3.34
REF: N/A
SILL PAN



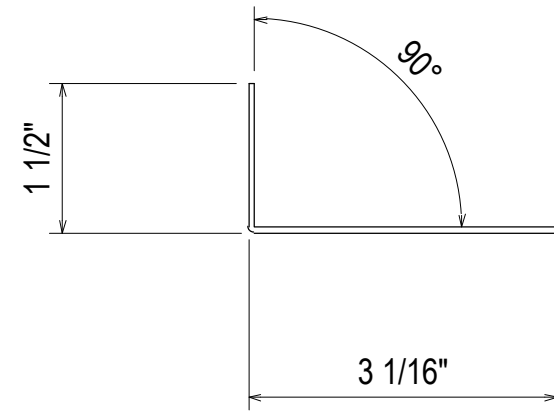
BM3
3.34
REF: N/A
SILL PAN



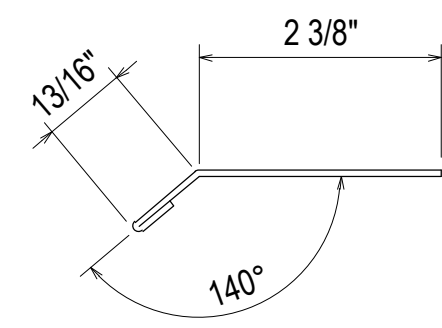
BM4
3.34
REF: N/A
CORNER



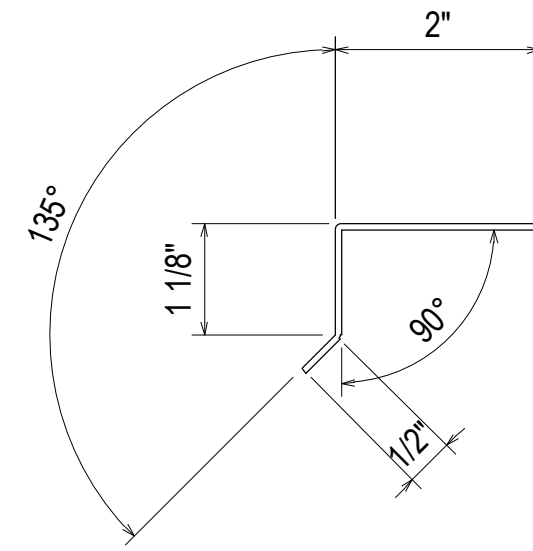
BM5
3.34
REF: N/A
SILL PAN



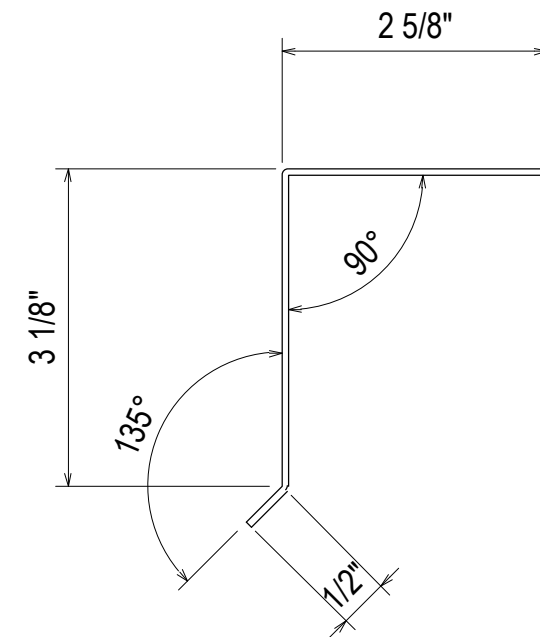
BM6
3.34
REF: N/A
SILL PAN



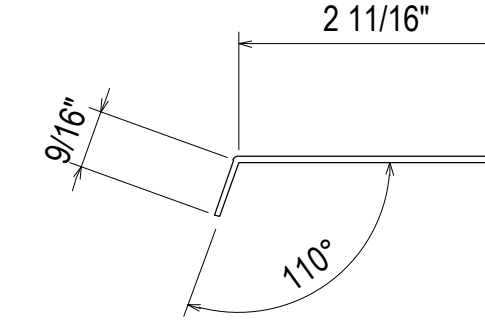
BM7
3.34
REF: N/A
SILL PAN



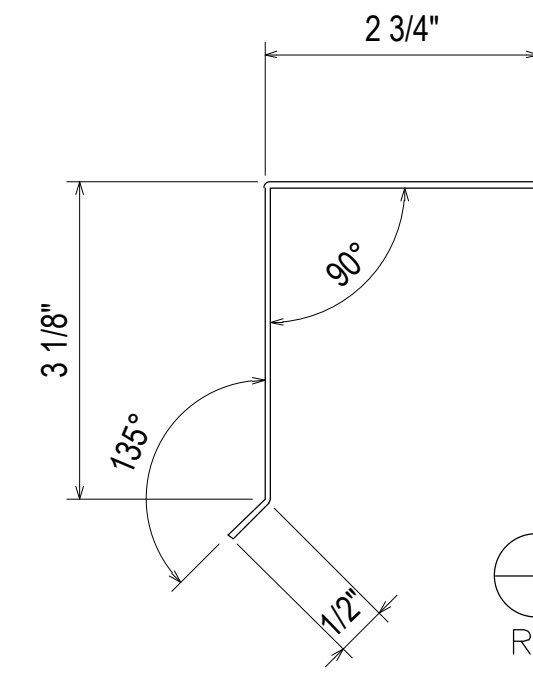
BM8
3.34
REF: N/A
SILL PAN



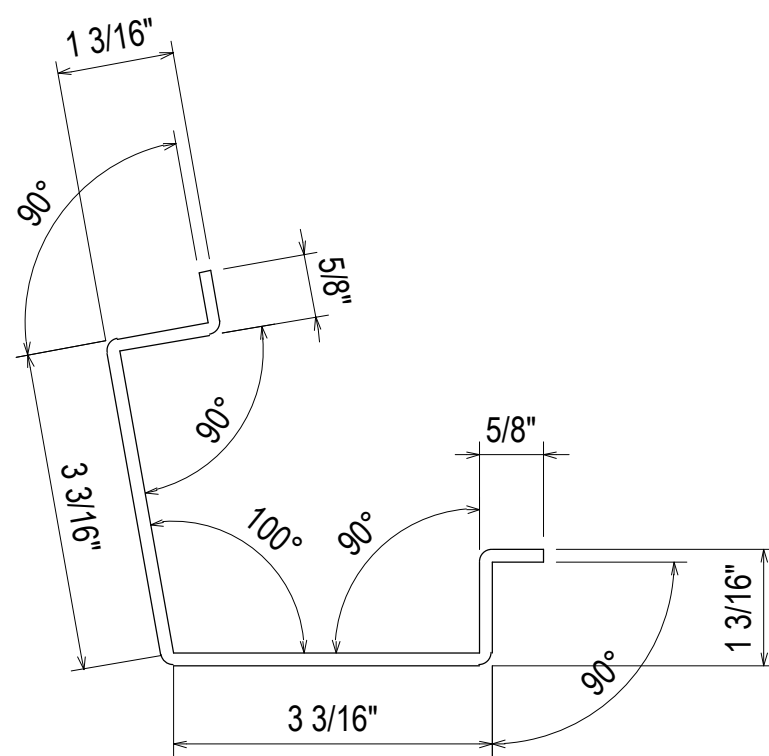
BM9
3.34
REF: N/A
SILL PAN



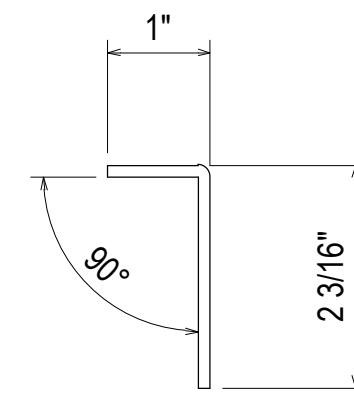
BM10
3.34
REF: N/A
SILL PAN



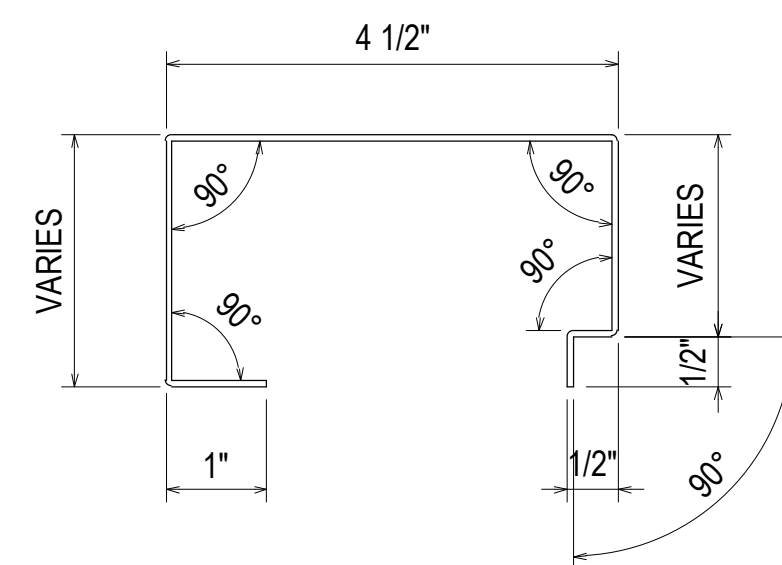
BM11
3.34
REF: N/A
SILL PAN



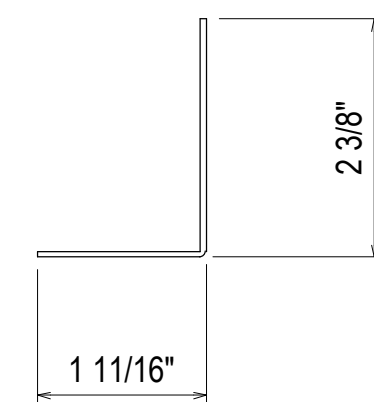
BM12
3.34
REF: N/A
CORNER



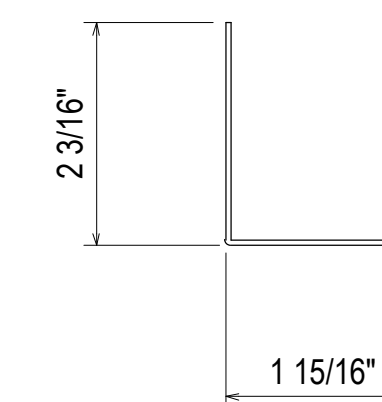
BM13
3.34
REF: N/A
CORNER



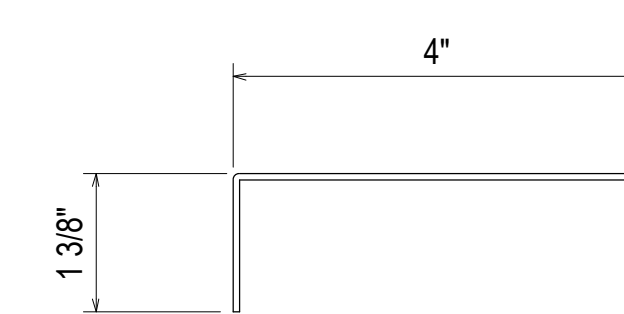
BM14
3.34
REF: N/A
HEAD @ SF03B



BM15
3.34
REF: N/A
JAMB



BM16
3.34
REF: N/A
JAMB



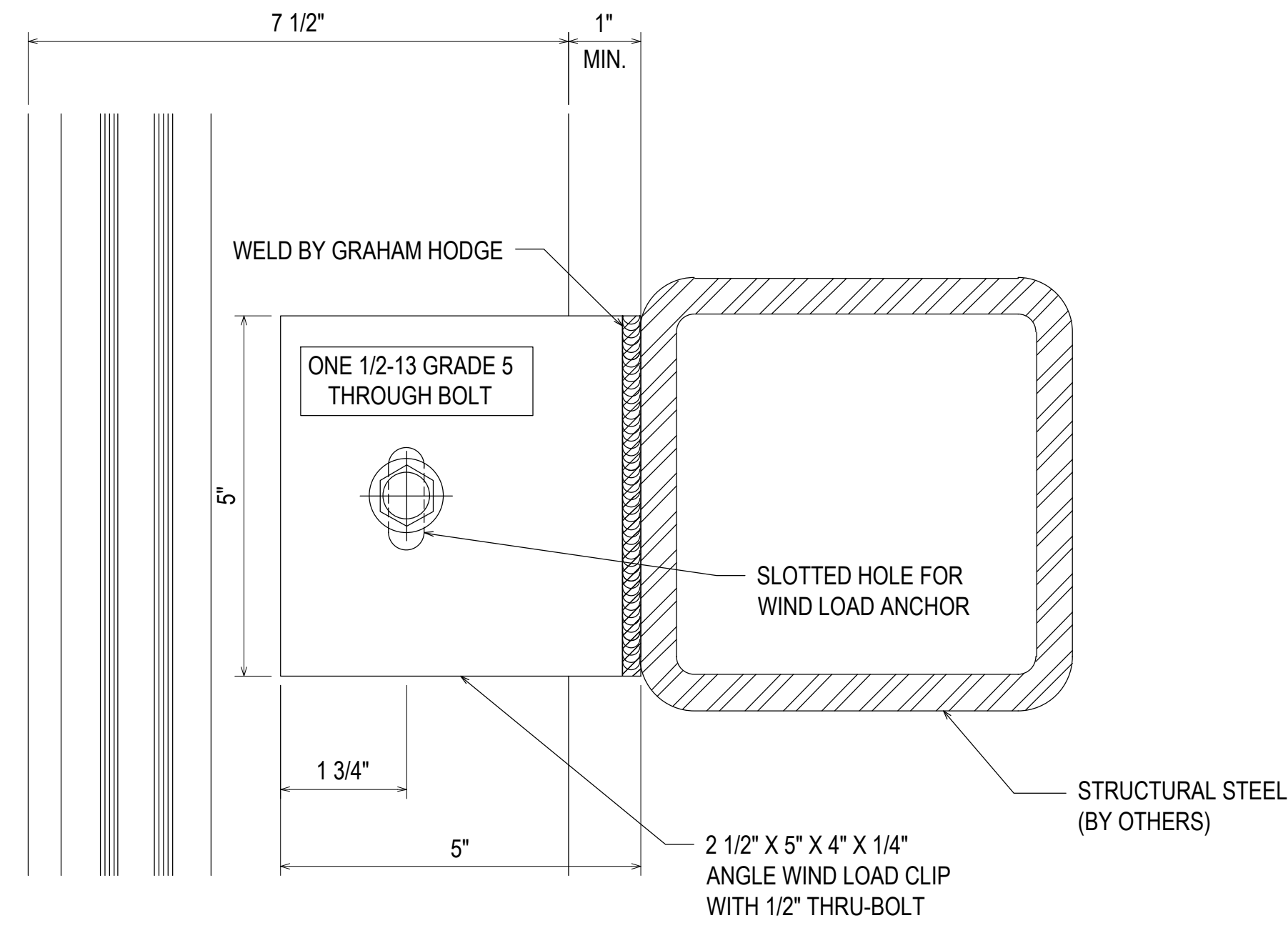
BM17
3.34
REF: N/A
SILL

REV.	DESCRIPTION	DATE
1	1ST REVISION (RA)	06.19.21
2	2ND REVISION (ENGINEERING)	06.08.21
3	3RD REVISION (BULLET RESISTANT)	08.03.21
NO	DESCRIPTION	

BETHEL HANBERRY ELEMENTARY SCHOOL
EXTERIOR SUBMITTAL
 125 BONEY ROAD, BLYTHEWOOD, SC 29016

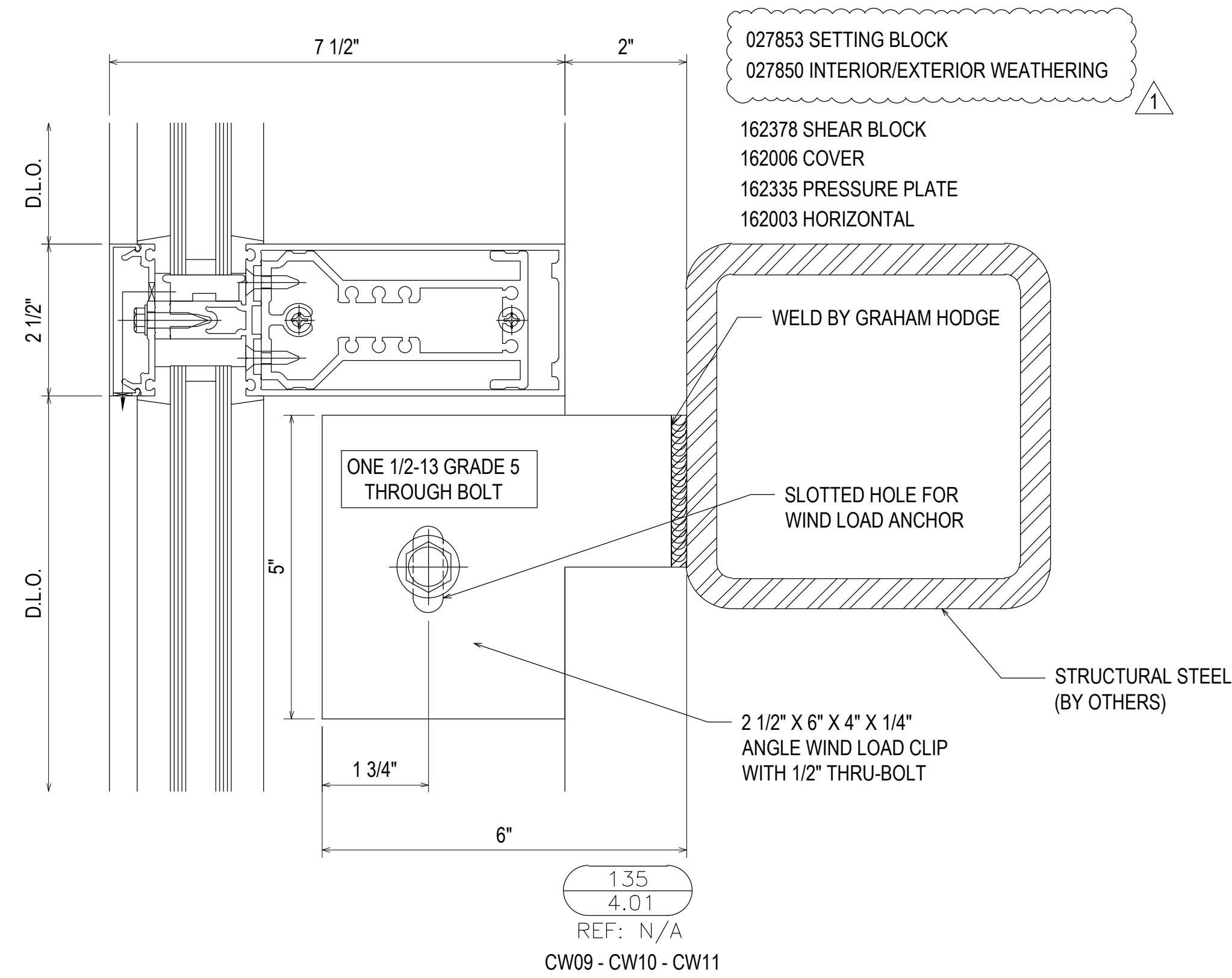
GRAHAM-HODGE ASSOCIATES INC.
 JOB #
 20-018

DRAWN BY:	DATE:
RA	04.23.21
CHECKED BY:	DATE:
EW	04.23.21

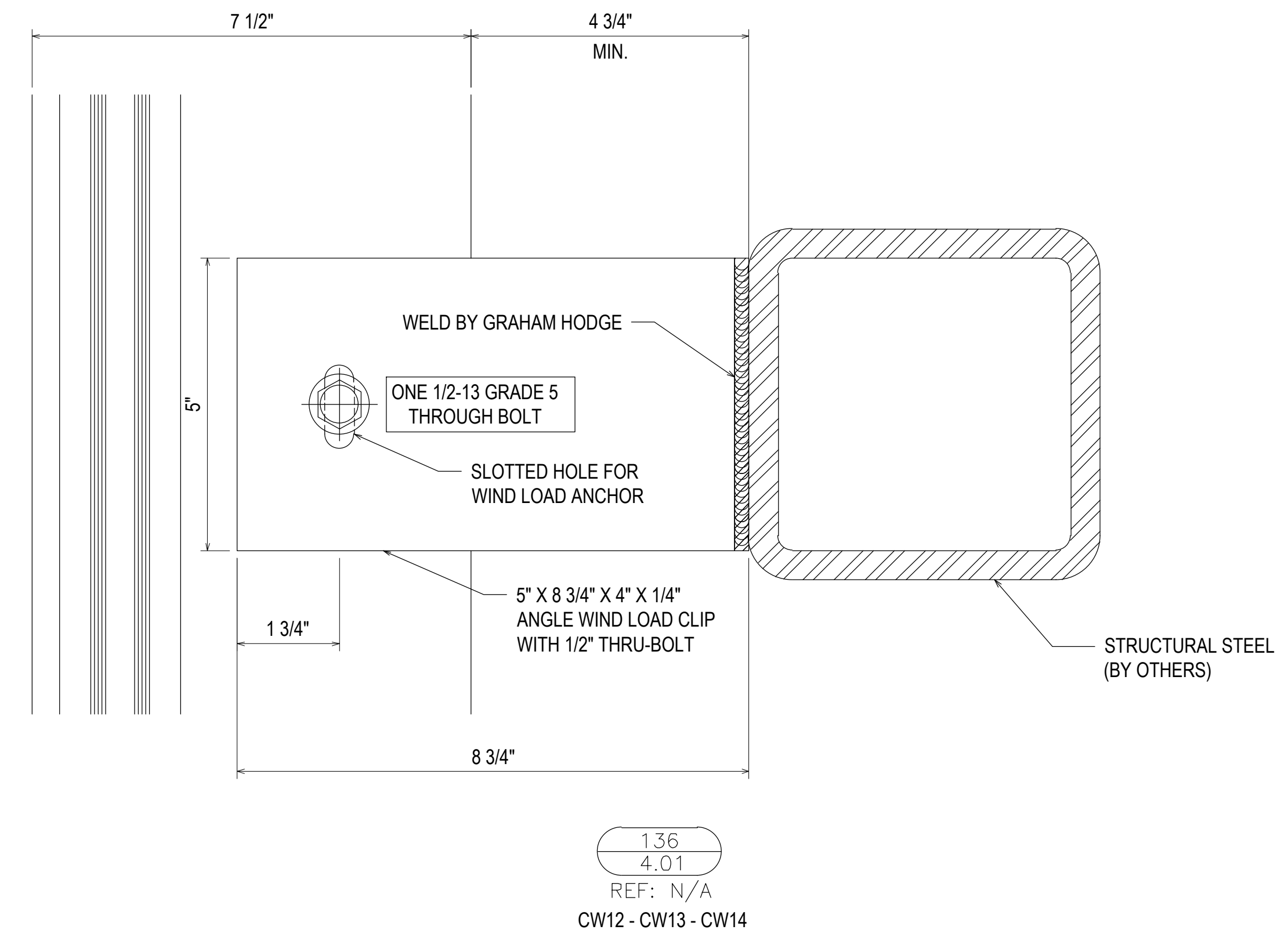


133
4.01
REF: N/A
CW01 - CW02 - CW03 - CW04
CW05 - CW06

134
4.01
REF: N/A
NOT USED



135
4.01
REF: N/A
CW09 - CW10 - CW11



136
4.01
REF: N/A
CW12 - CW13 - CW14

REV.	DESCRIPTION	DATE
1	1ST REVISION (RA)	06.19.21
2	2ND REVISION (ENGINEERING)	06.08.21
3	3RD REVISION (WELT RESISTANT)	08.03.21
NO	DESCRIPTION	

BETHEL HANBERRY ELEMENTARY SCHOOL
EXTERIOR SUBMITTAL
125 BONEY ROAD, BLYTHEWOOD, SC 29016

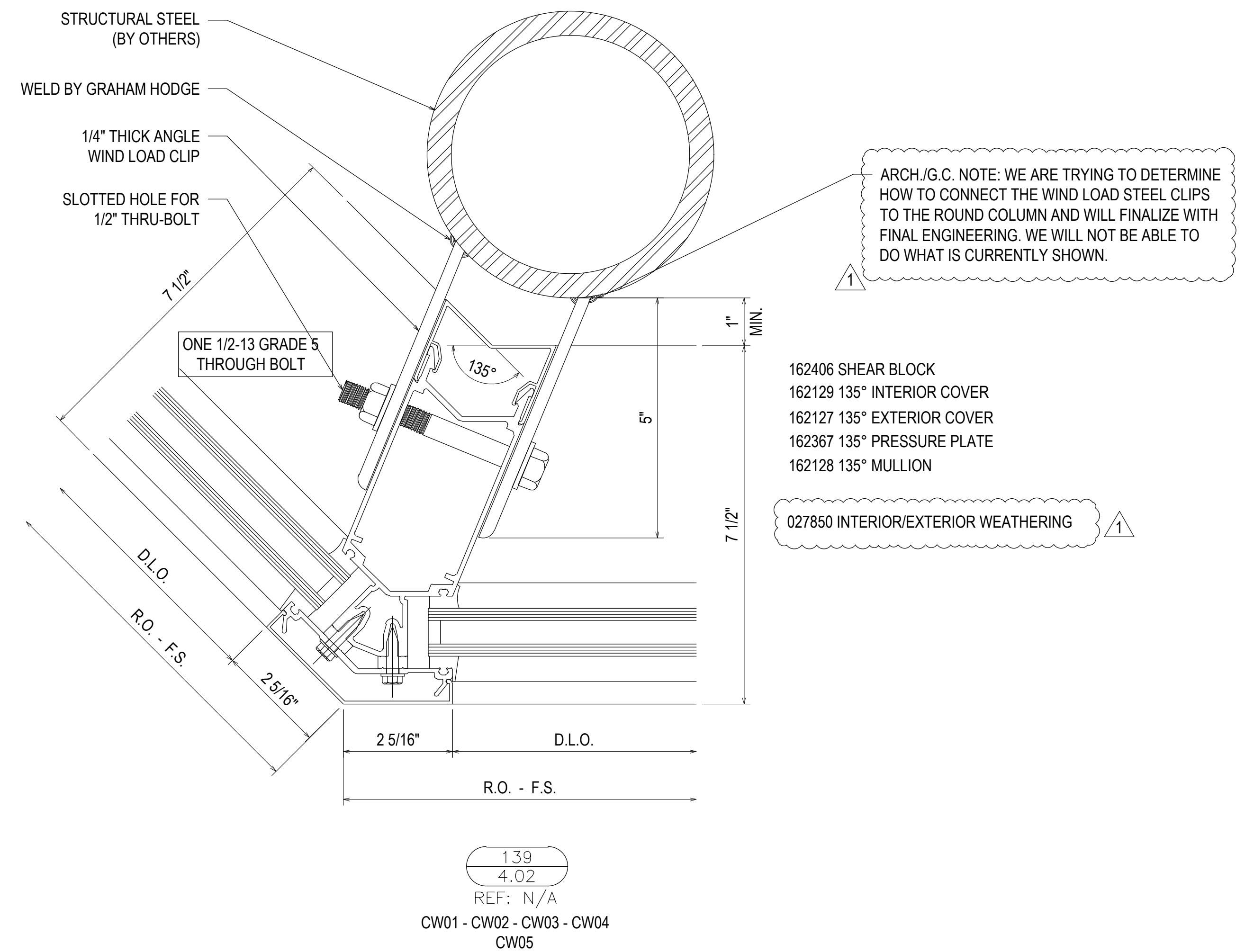
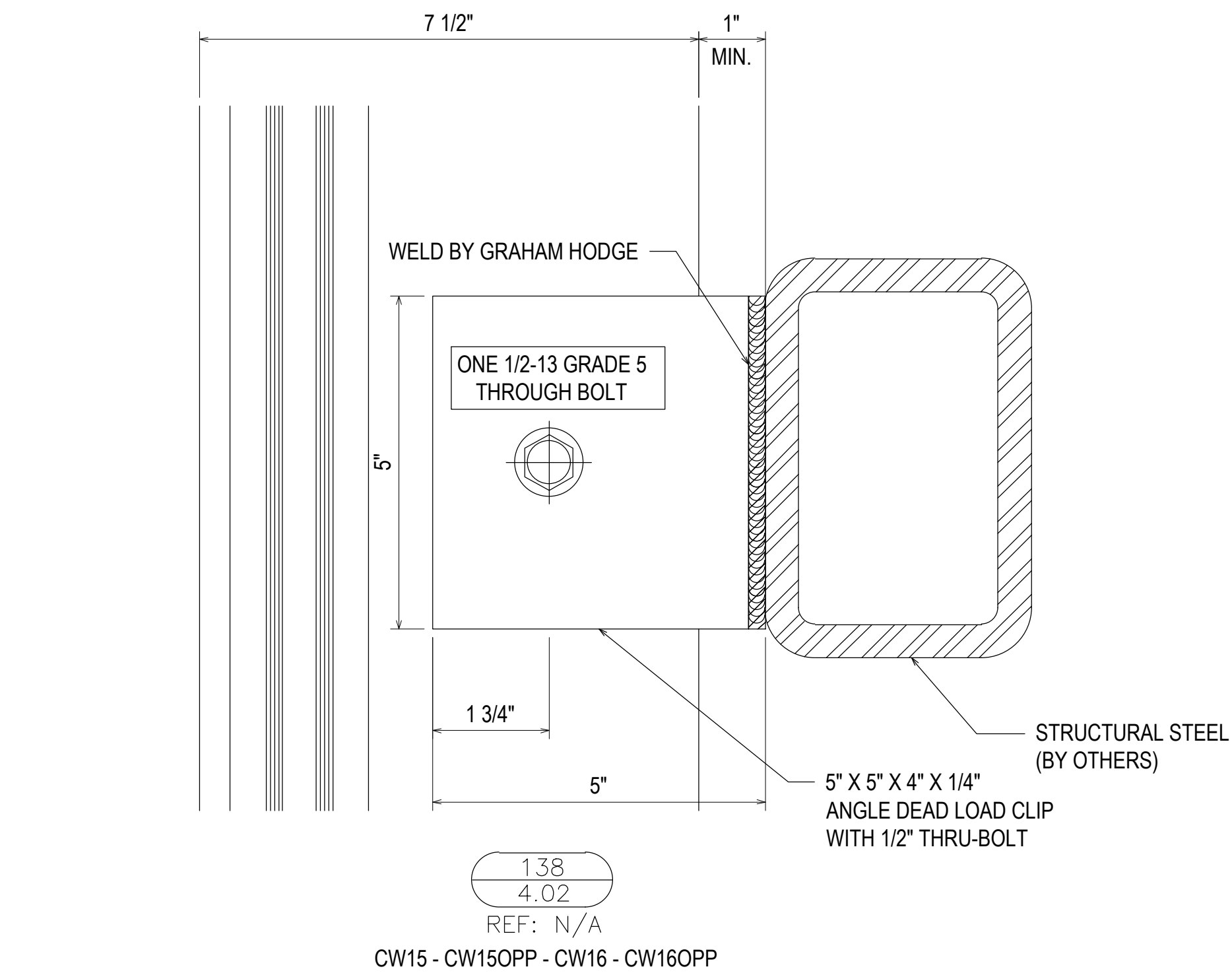
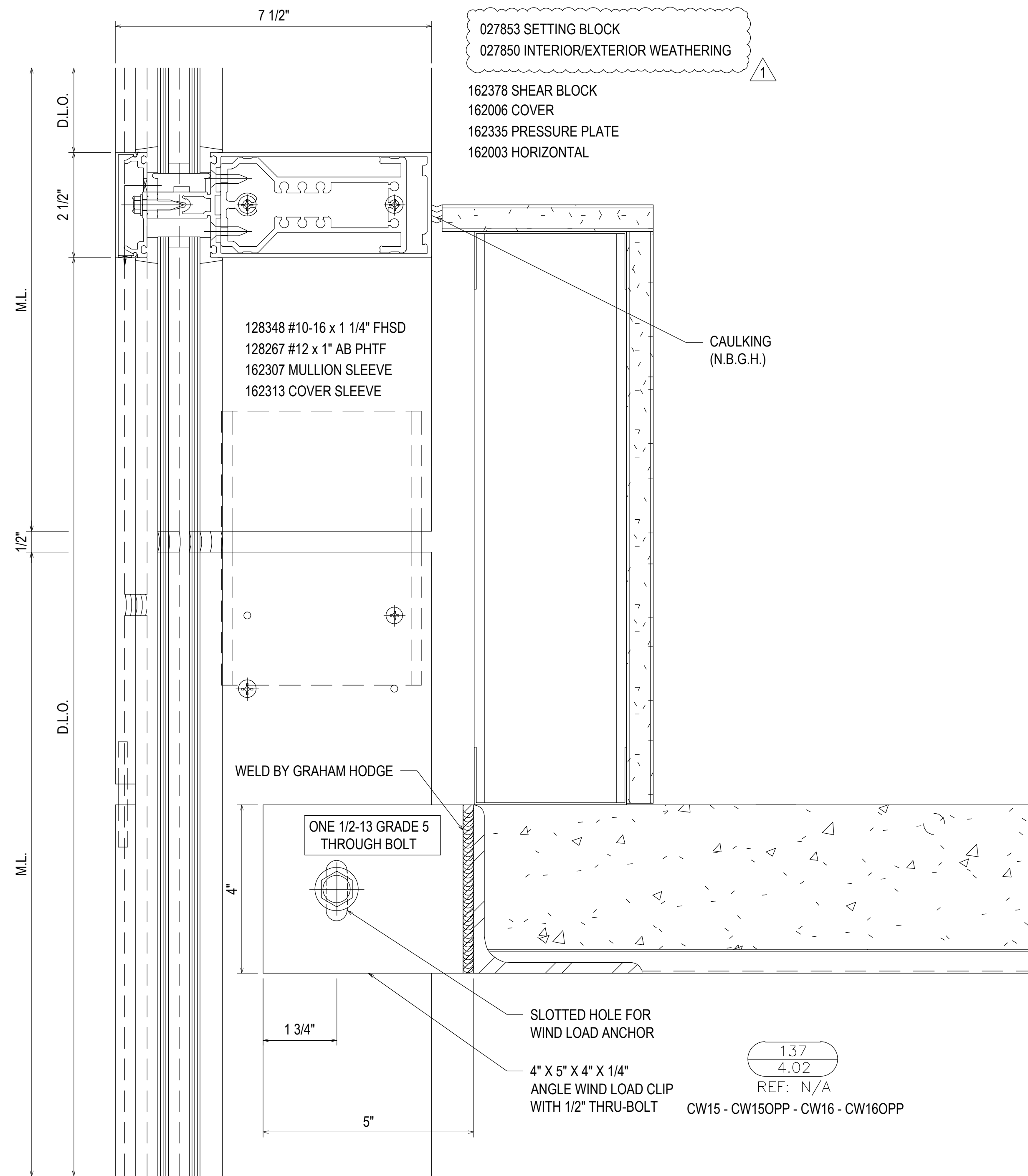


JOB #
20-018

DRAWN BY:	DATE:
RA	04.23.21
CHECKED BY:	DATE:
EW	04.23.21

4.01

DRAWING SUBMISSION



REV.	DESCRIPTION	DATE
1	1ST REVISION (RA)	06.19.21
2	2ND REVISION (ENGINEERING)	06.08.21
3	3RD REVISION (BULLET RESISTANT)	08.03.21
NO	DESCRIPTION	

BETHEL HANBERRY ELEMENTARY SCHOOL
 EXTERIOR SUBMITTAL
 125 BONEY ROAD, BLYTHEWOOD, SC 29016



JOB # 20-018

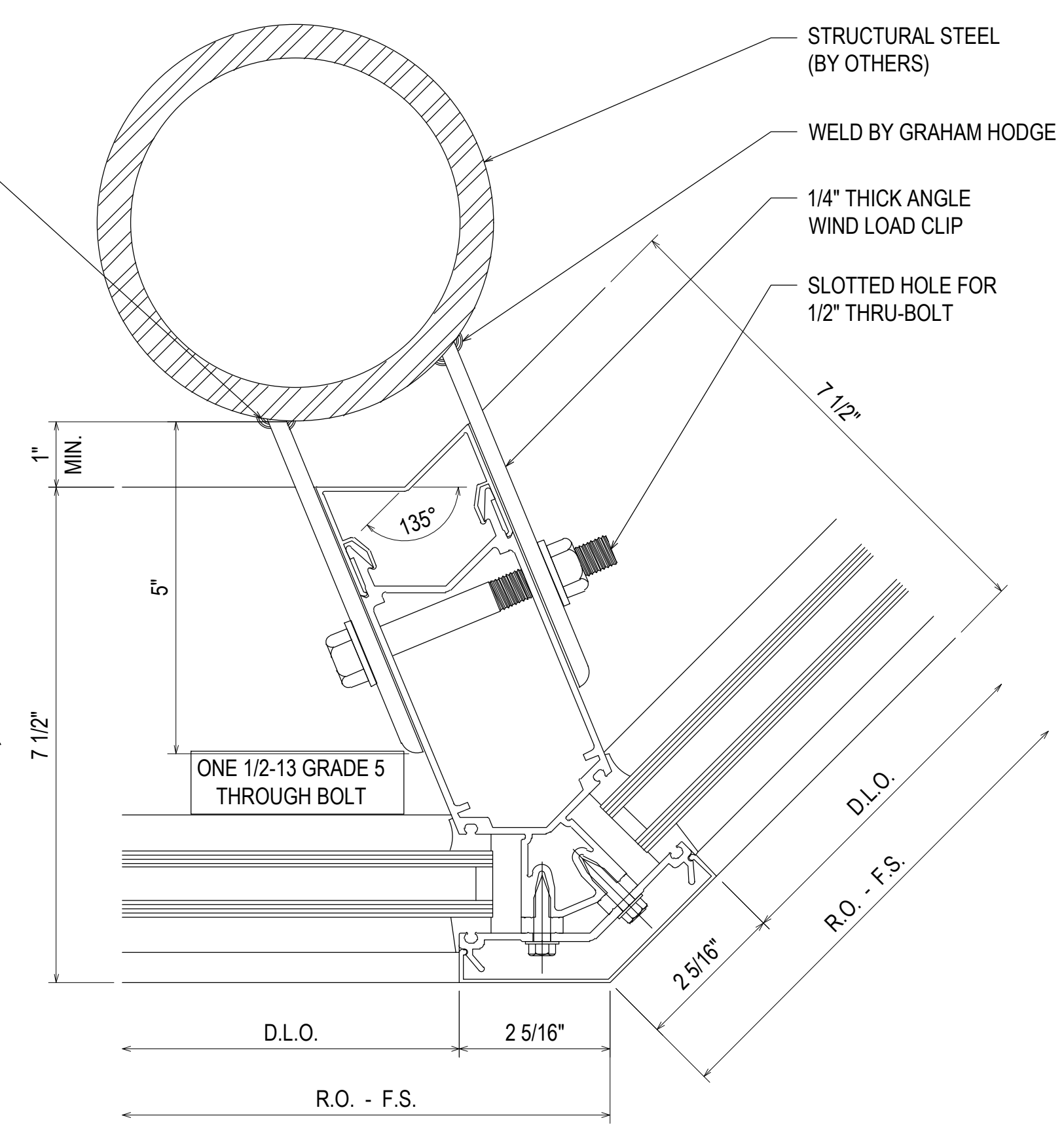
DRAWN BY:	DATE:
RA	04.23.21
CHECKED BY:	DATE:
EW	04.23.21

4.02

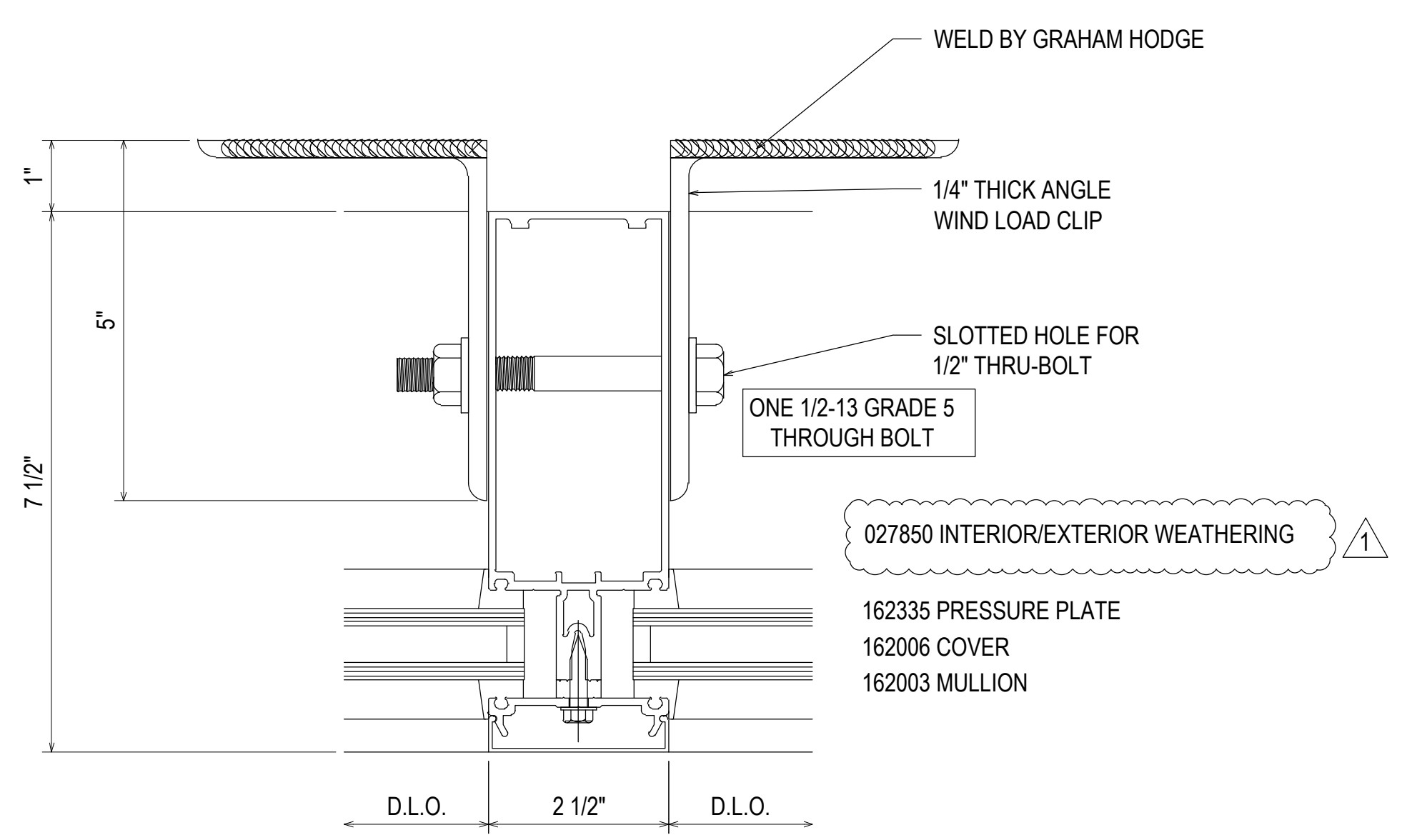
DRAWING SUBMISSION

ARCH./G.C. NOTE: WE ARE TRYING TO DETERMINE HOW TO CONNECT THE WIND LOAD STEEL CLIPS TO THE ROUND COLUMN AND WILL FINALIZE WITH FINAL ENGINEERING. WE WILL NOT BE ABLE TO DO WHAT IS CURRENTLY SHOWN.

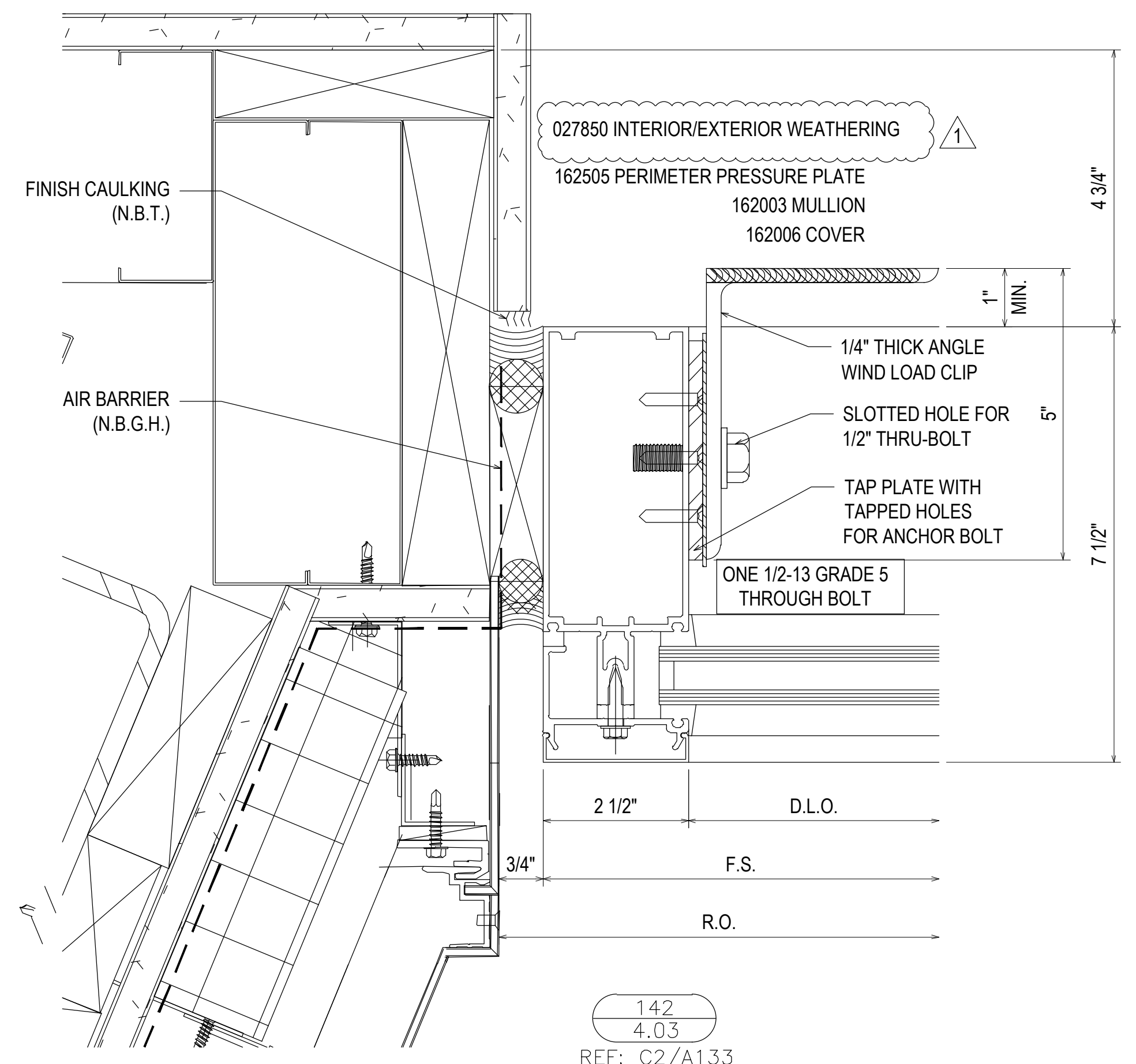
- 162406 SHEAR BLOCK
- 162129 135° INTERIOR COVER
- 162127 135° EXTERIOR COVER
- 162367 135° PRESSURE PLATE
- 162128 135° MULLION



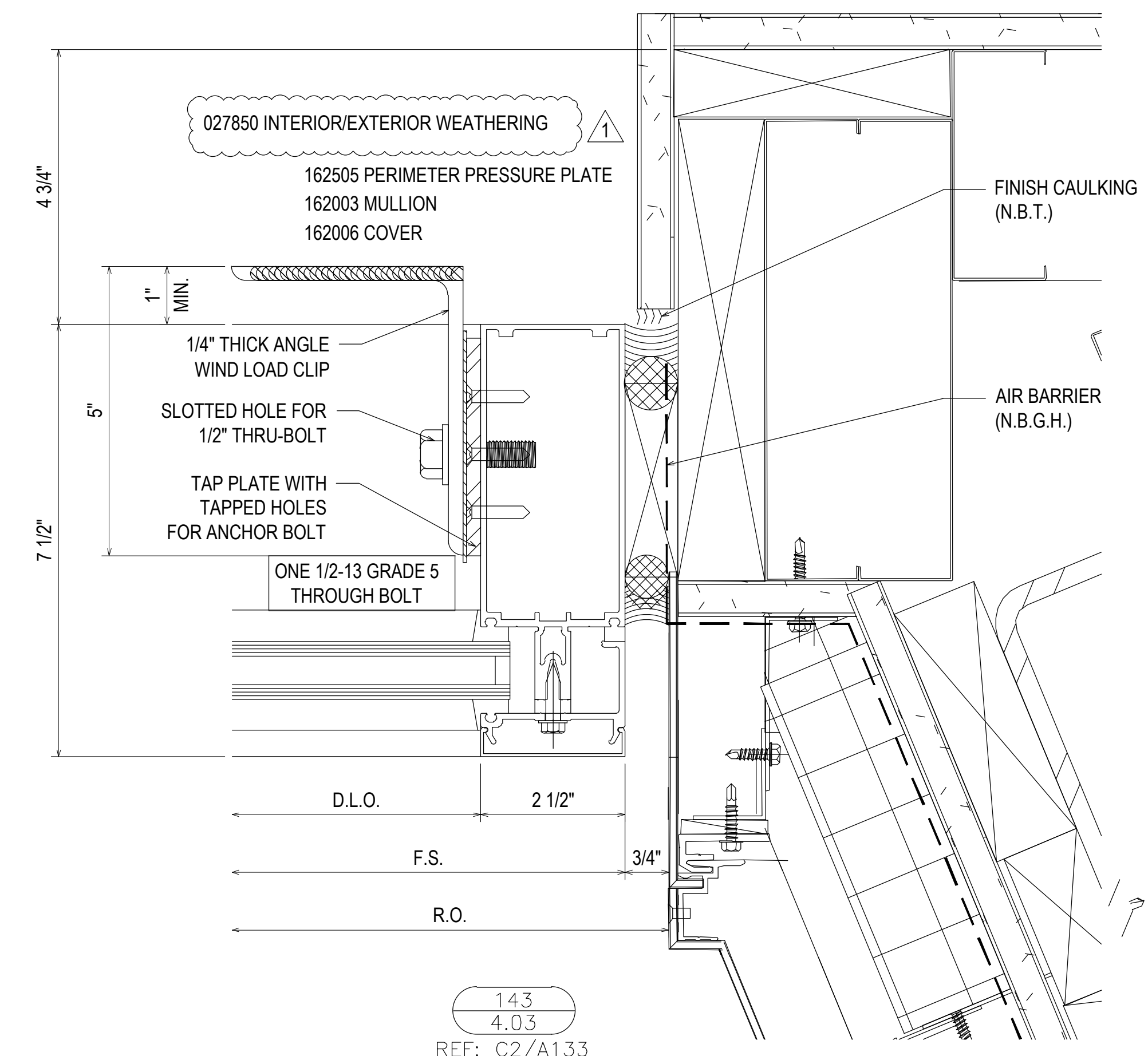
140
4.03
REF: N/A
CW02 - CW03 - CW04 - CW05
CW06



141
4.03
REF: N/A
CW02 - CW03 - CW04 - CW05
CW15 - CW15OPP



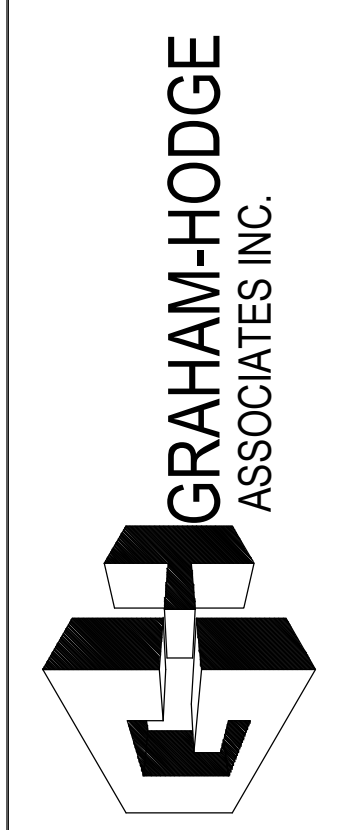
142
4.03
REF: C2/A133
CW06



143
4.03
REF: C2/A133
CW01

REV.	DESCRIPTION	DATE
1	1ST REVISION (RA)	06.19.21
2	2ND REVISION (ENGINEERING)	06.08.21
3	3RD REVISION (MULLION RESISTANT)	08.03.21
NO	DESCRIPTION	

BETHEL HANBERRY ELEMENTARY SCHOOL
EXTERIOR SUBMITTAL
125 BONEY ROAD, BLYTHEWOOD, SC 29016

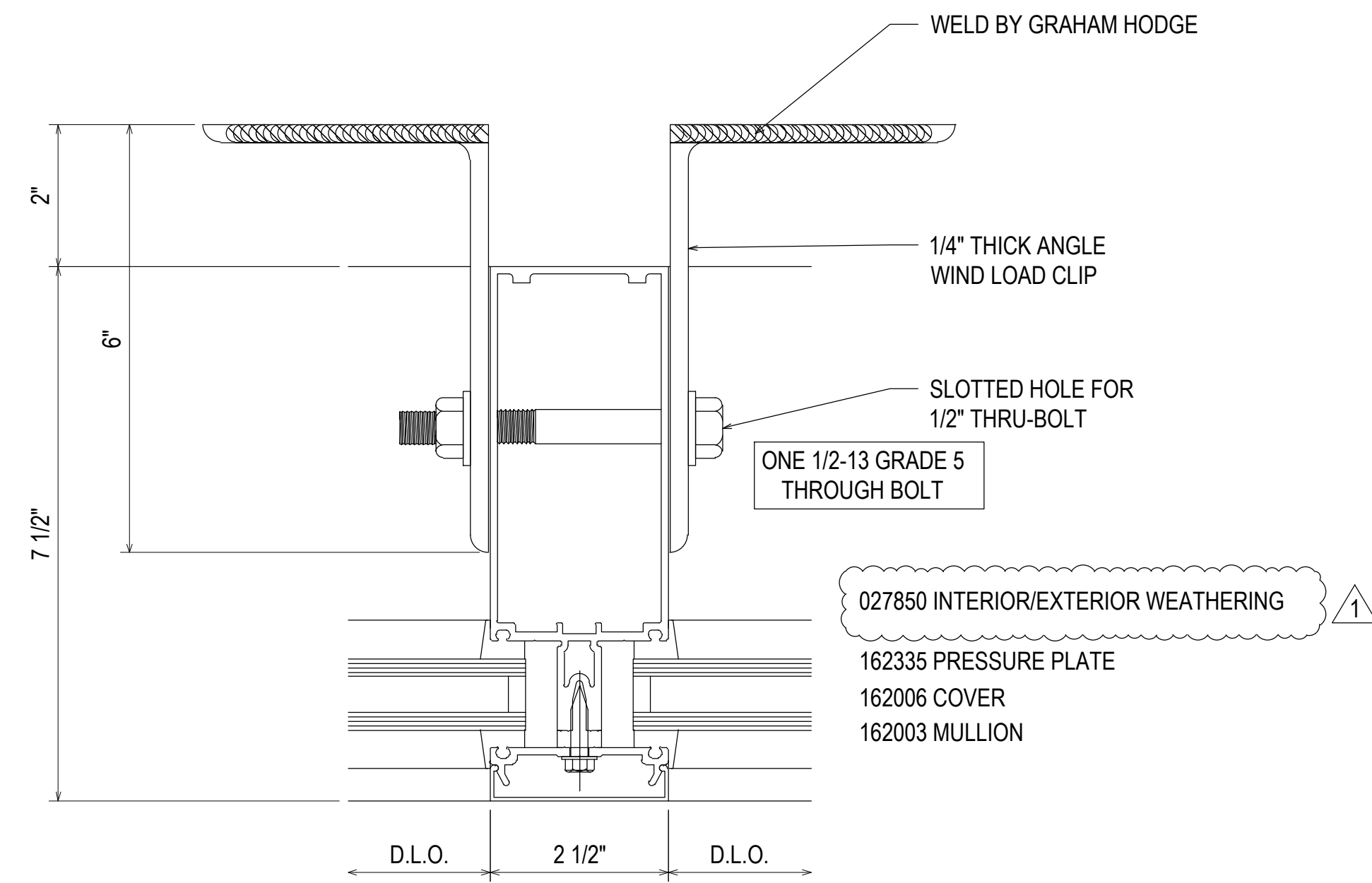


JOB # 20-018

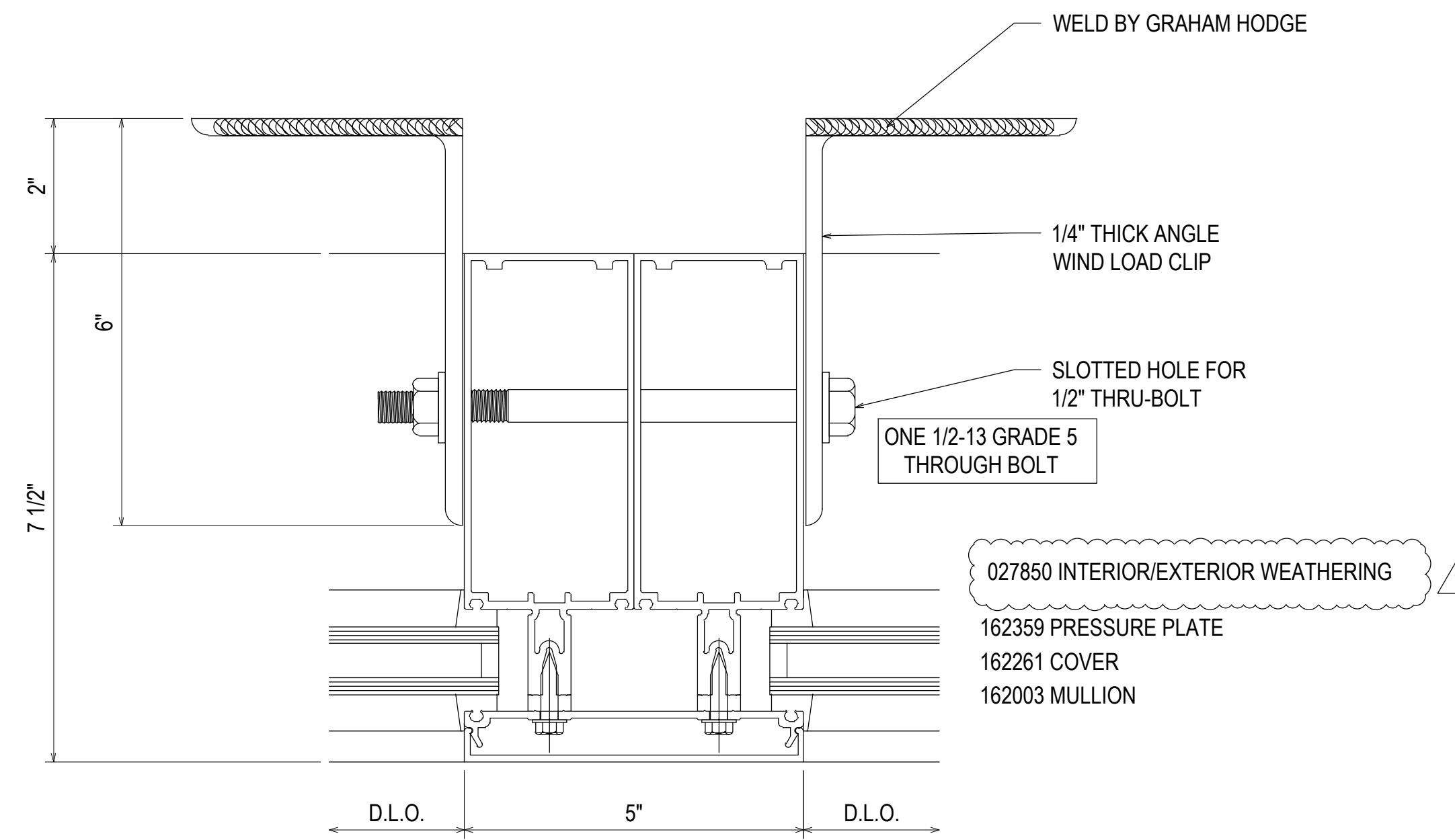
DRAWN BY:	DATE:
RA	04.23.21
CHECKED BY:	DATE:
EW	04.23.21

4.03

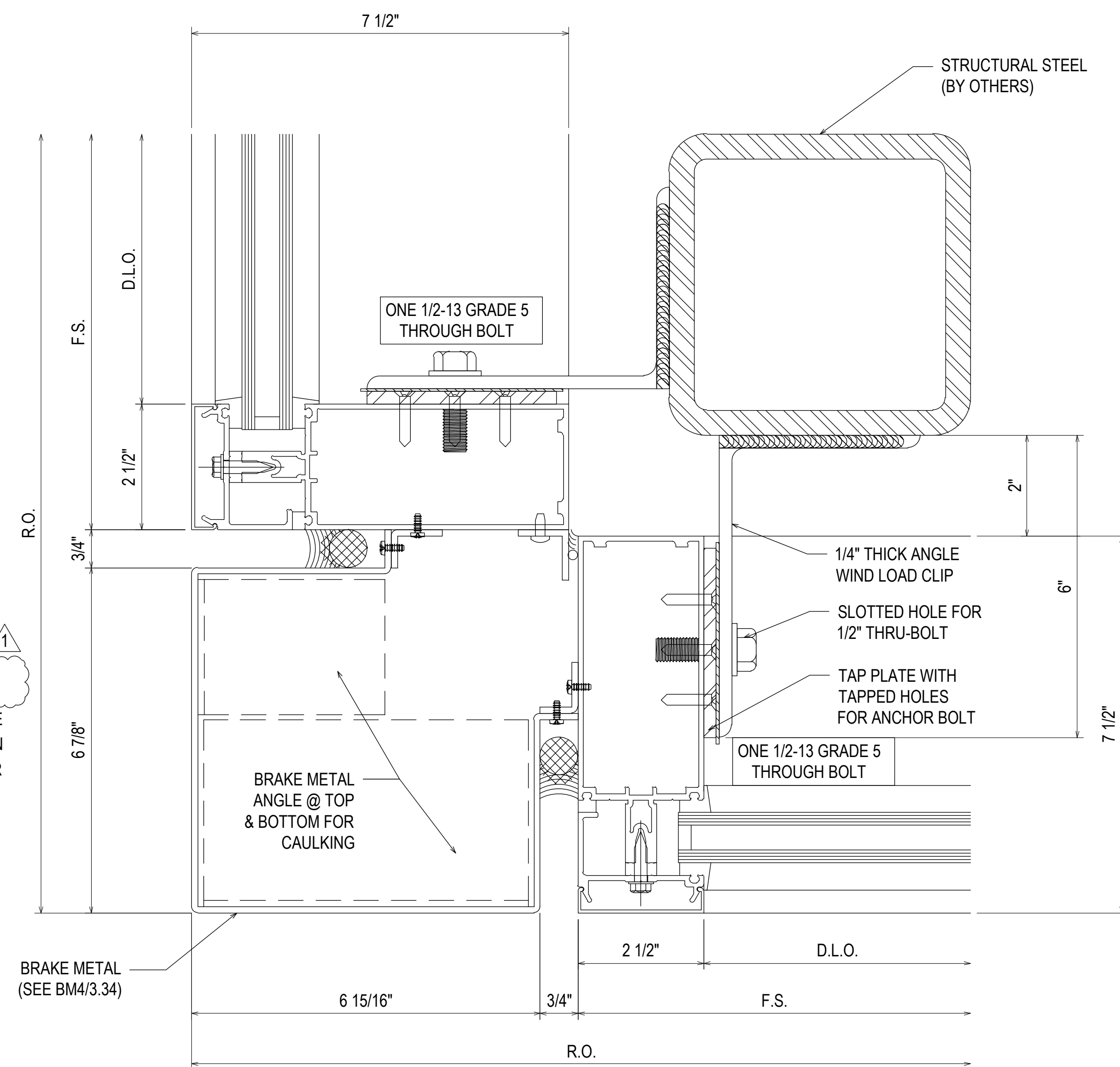
DRAWING SUBMISSION



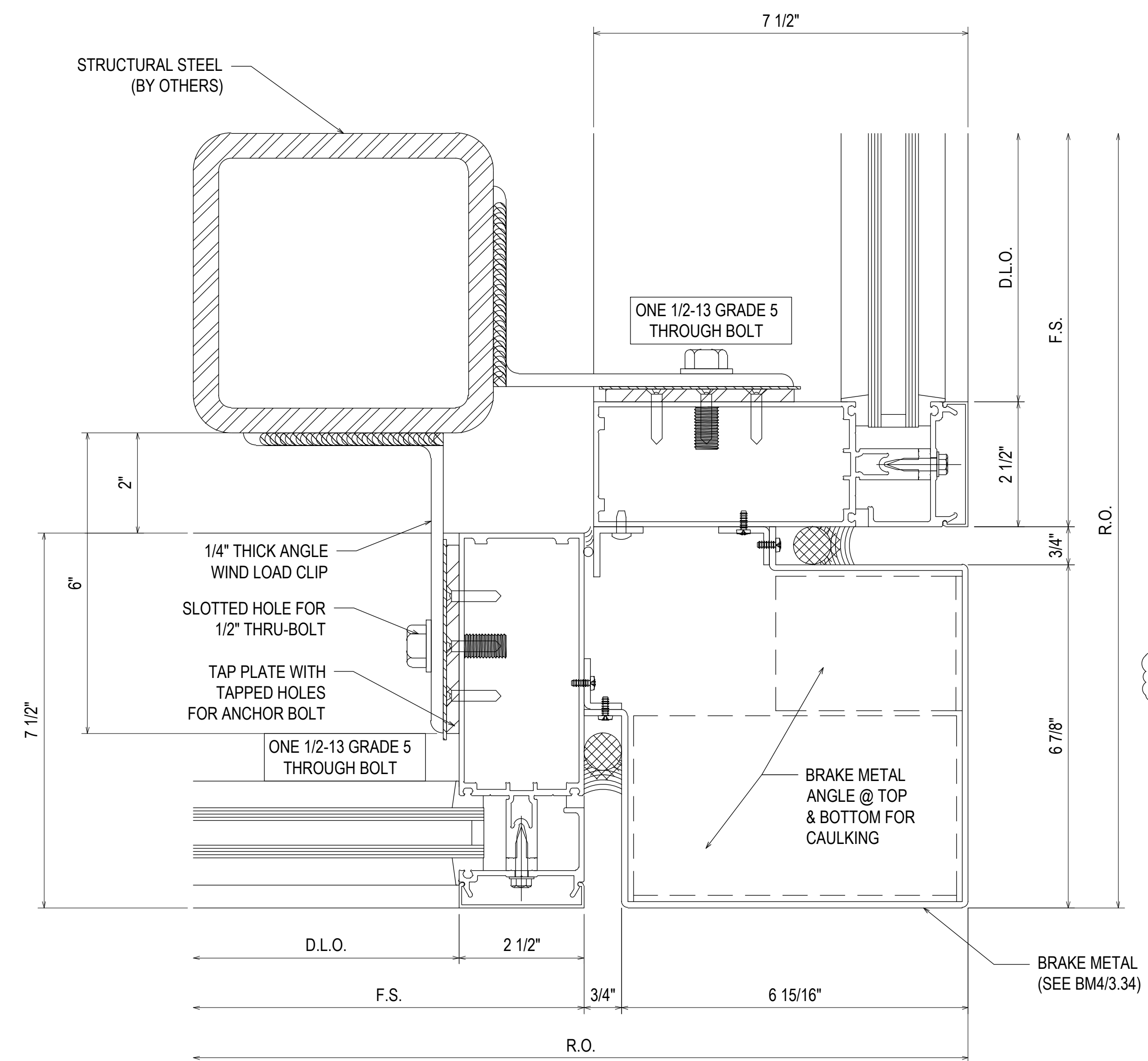
144
4.04
REF: N/A
CW10



145
4.04
REF: N/A
CW10



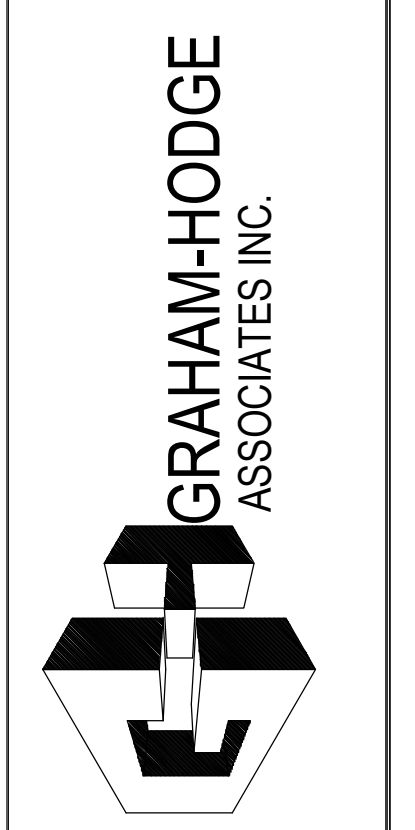
146
4.04
REF: N/A
CW10 - CW11



147
4.04
REF: N/A
CW09 - CW10

REV.	DESCRIPTION	DATE
1	1ST REVISION (RA)	06.19.21
2	2ND REVISION (ENGINEERING)	06.08.21
3	3RD REVISION (MULLION RESISTANT)	08.03.21
NO	DESCRIPTION	

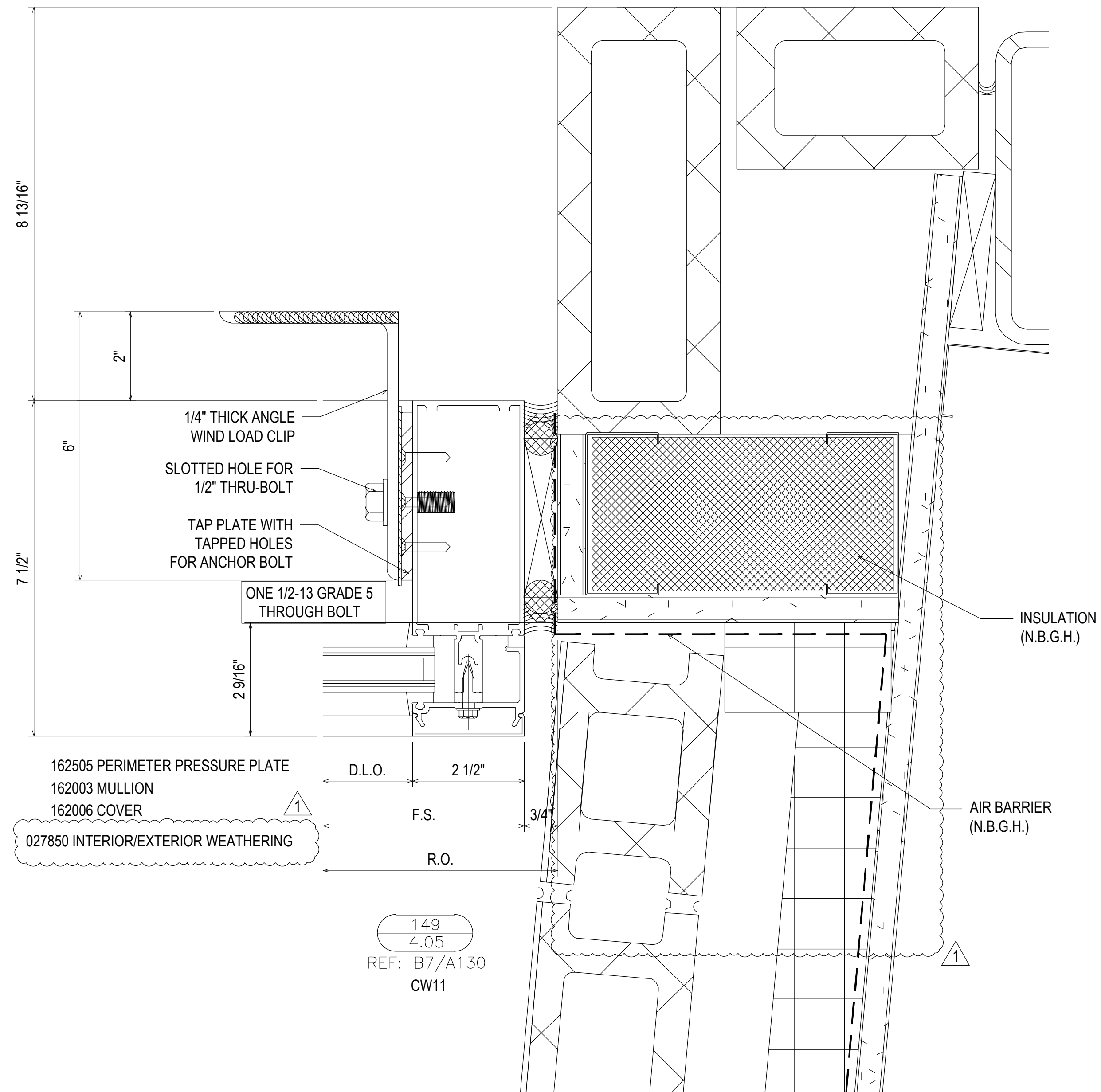
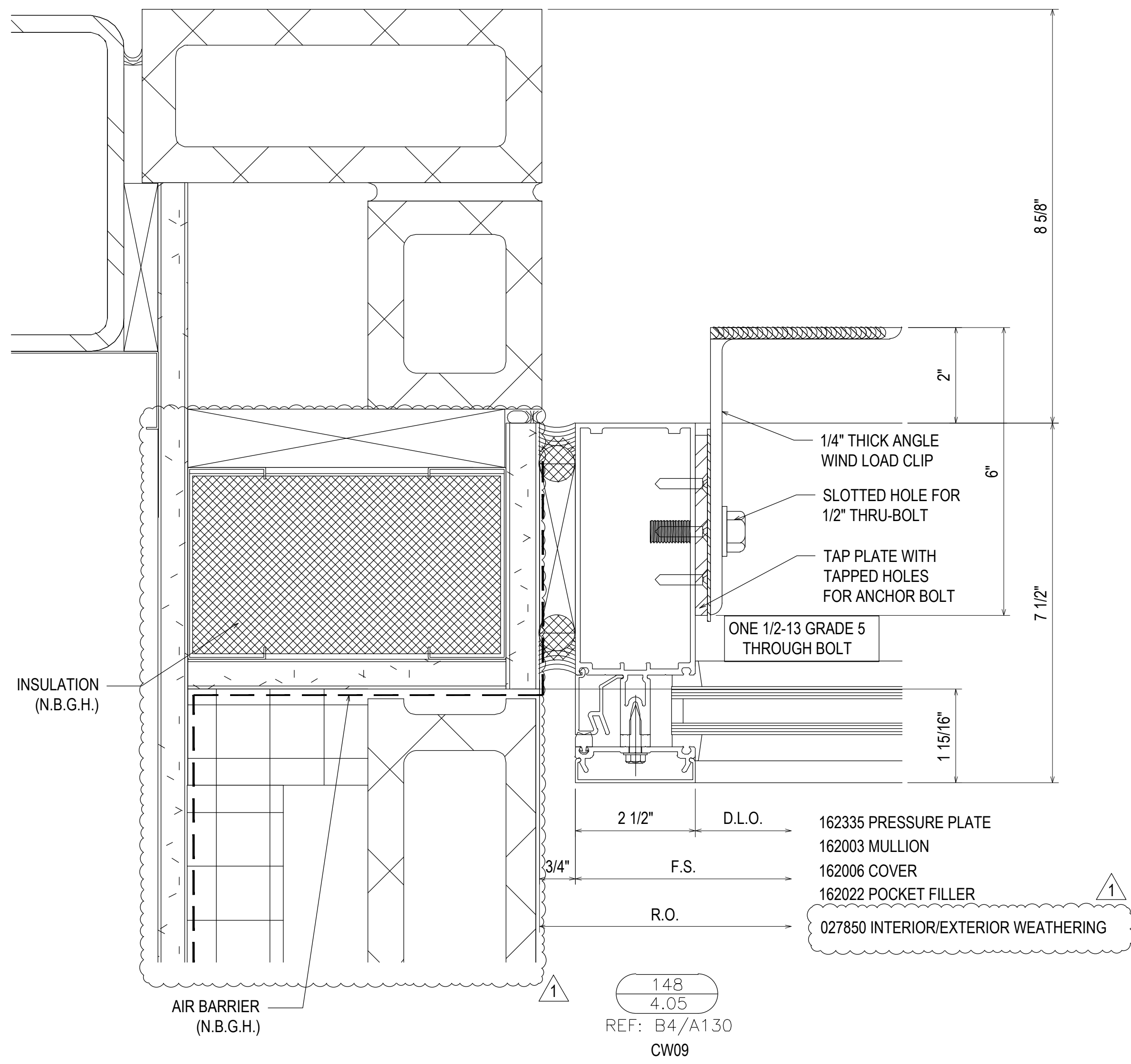
BETHEL HANBERRY ELEMENTARY SCHOOL
EXTERIOR SUBMITTAL
125 BONEY ROAD, BLYTHEWOOD, SC 29016



JOB # 20-018

DRAWN BY:	DATE:
RA	04.23.21
CHECKED BY:	DATE:
EW	04.23.21

4.04



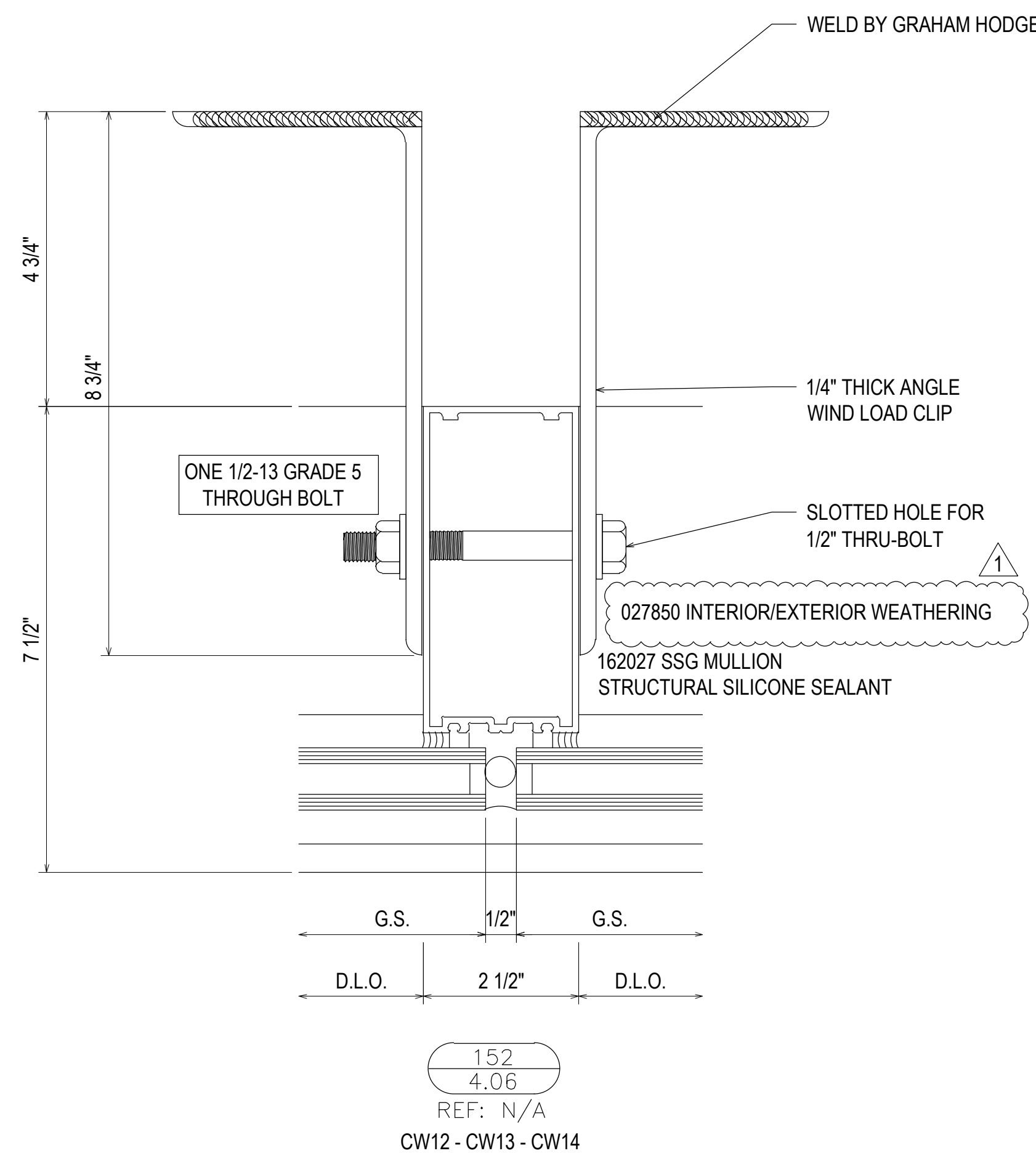
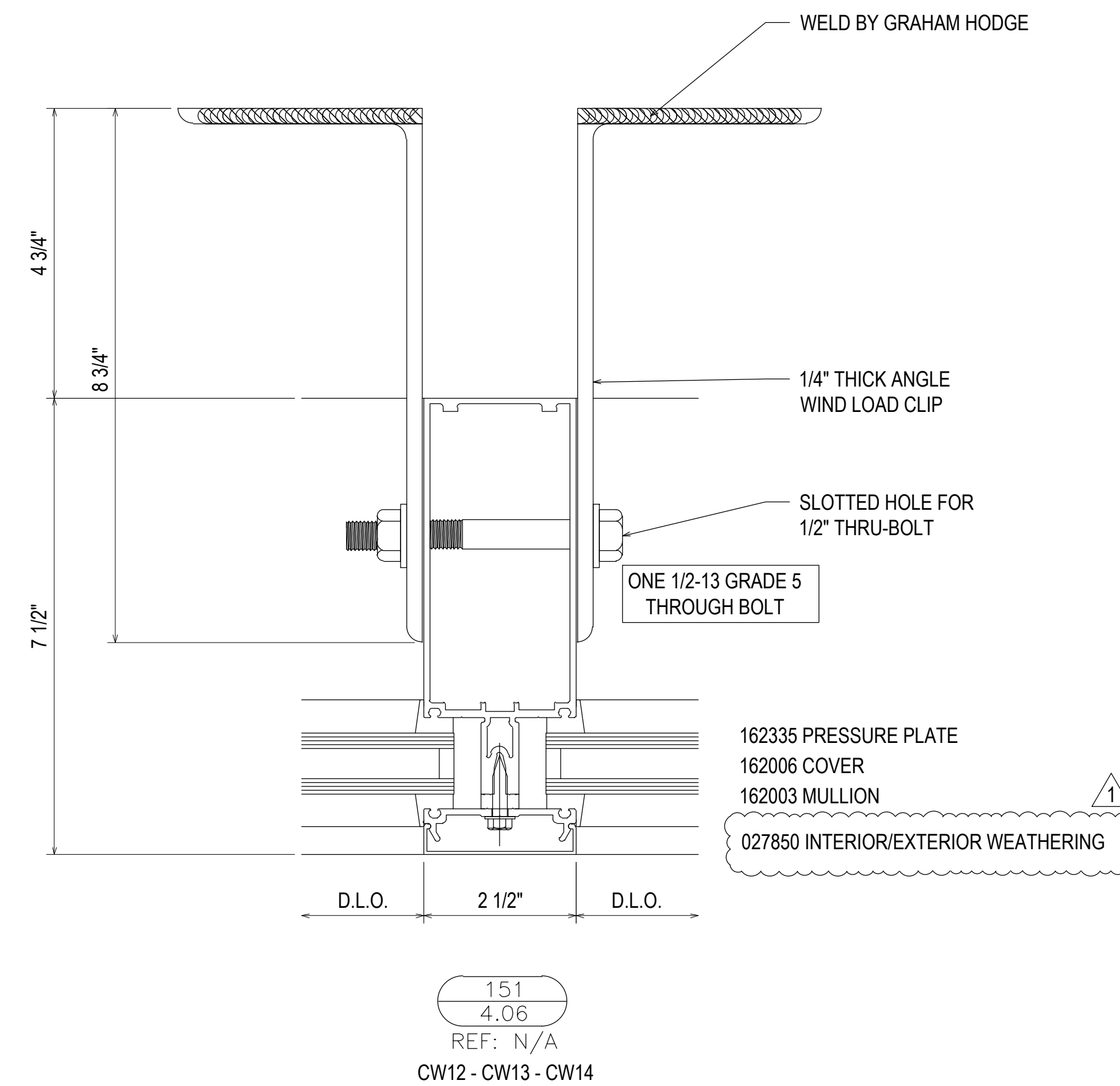
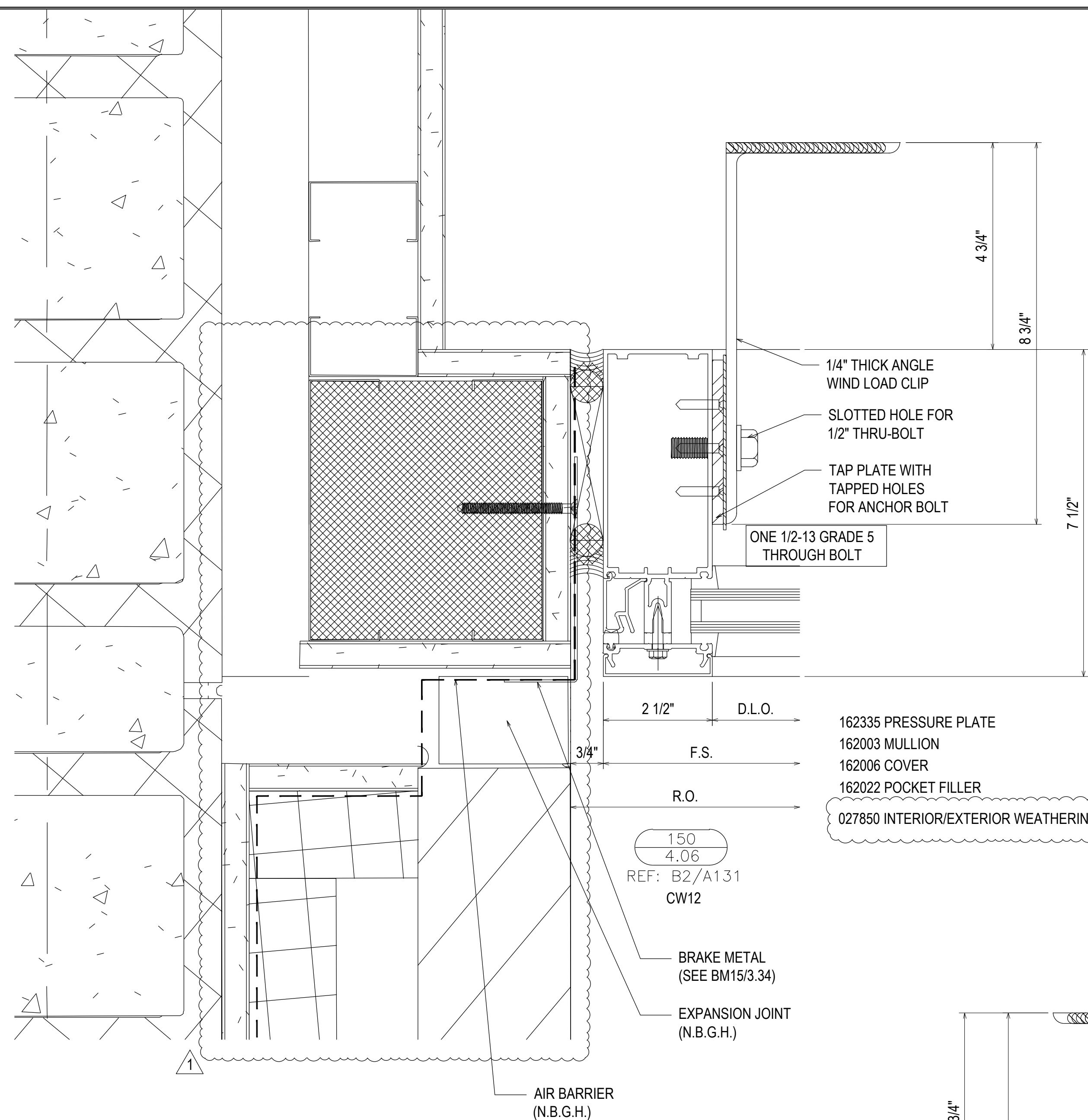
REV.	DESCRIPTION	DATE
1	1ST REVISION (RA)	06.19.21
2	2ND REVISION (ENGINEERING)	06.08.21
3	3RD REVISION (BULLET RESISTANT)	08.03.21
NO	DESCRIPTION	

BETHEL HANBERRY ELEMENTARY SCHOOL
EXTERIOR SUBMITTAL
 125 BONEY ROAD, BLYTHEWOOD, SC 29016

GRAHAM-HODGE ASSOCIATES INC.

JOB #
20-018

DRAWN BY:	DATE:
RA	04.23.21
CHECKED BY:	DATE:
EW	04.23.21



REV.	DESCRIPTION	DATE
1	1ST REVISION (RA)	06.19.21
2	2ND REVISION (ENGINEERING)	06.08.21
3	3RD REVISION (WELT RESISTANT)	08.03.21
NO	DESCRIPTION	

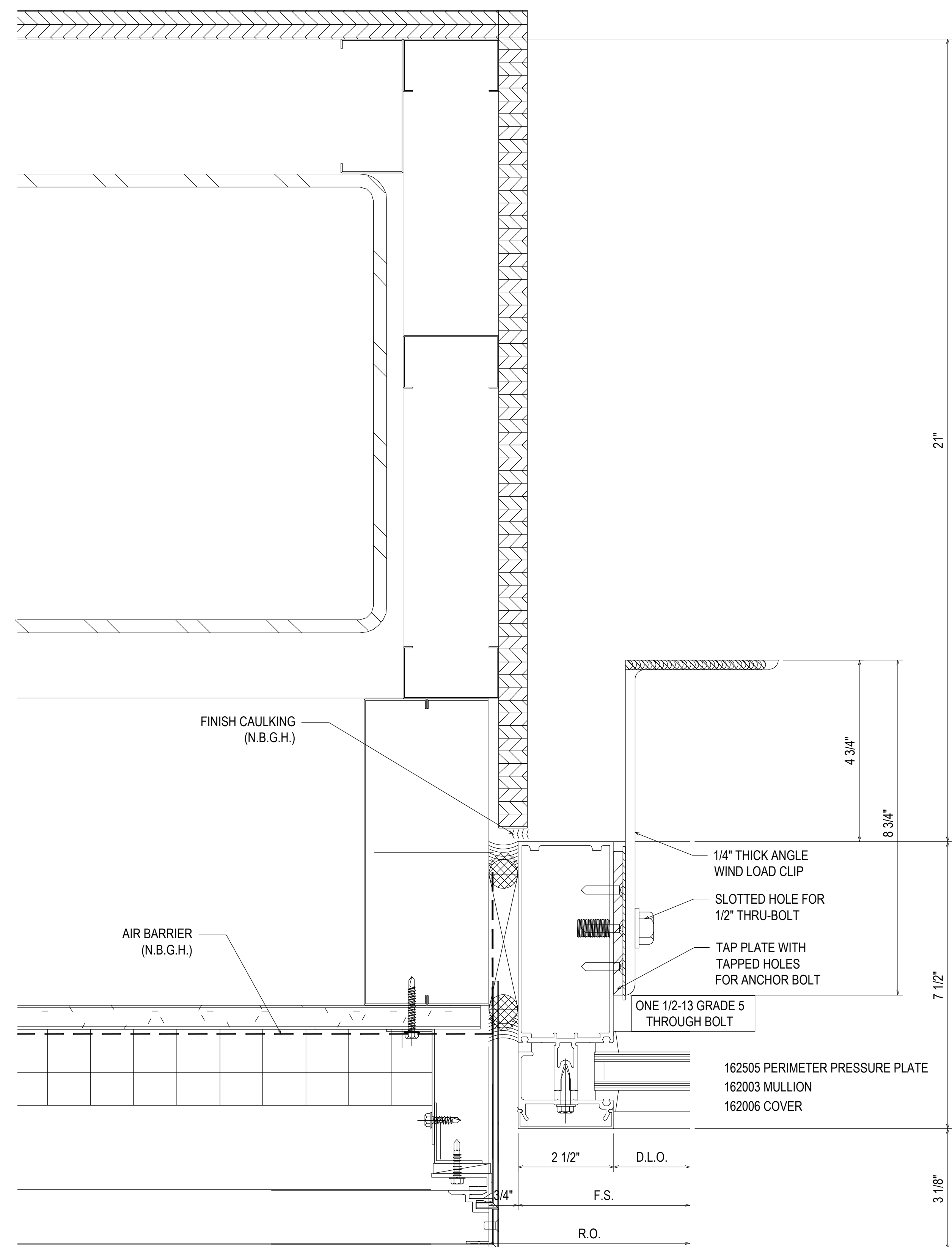
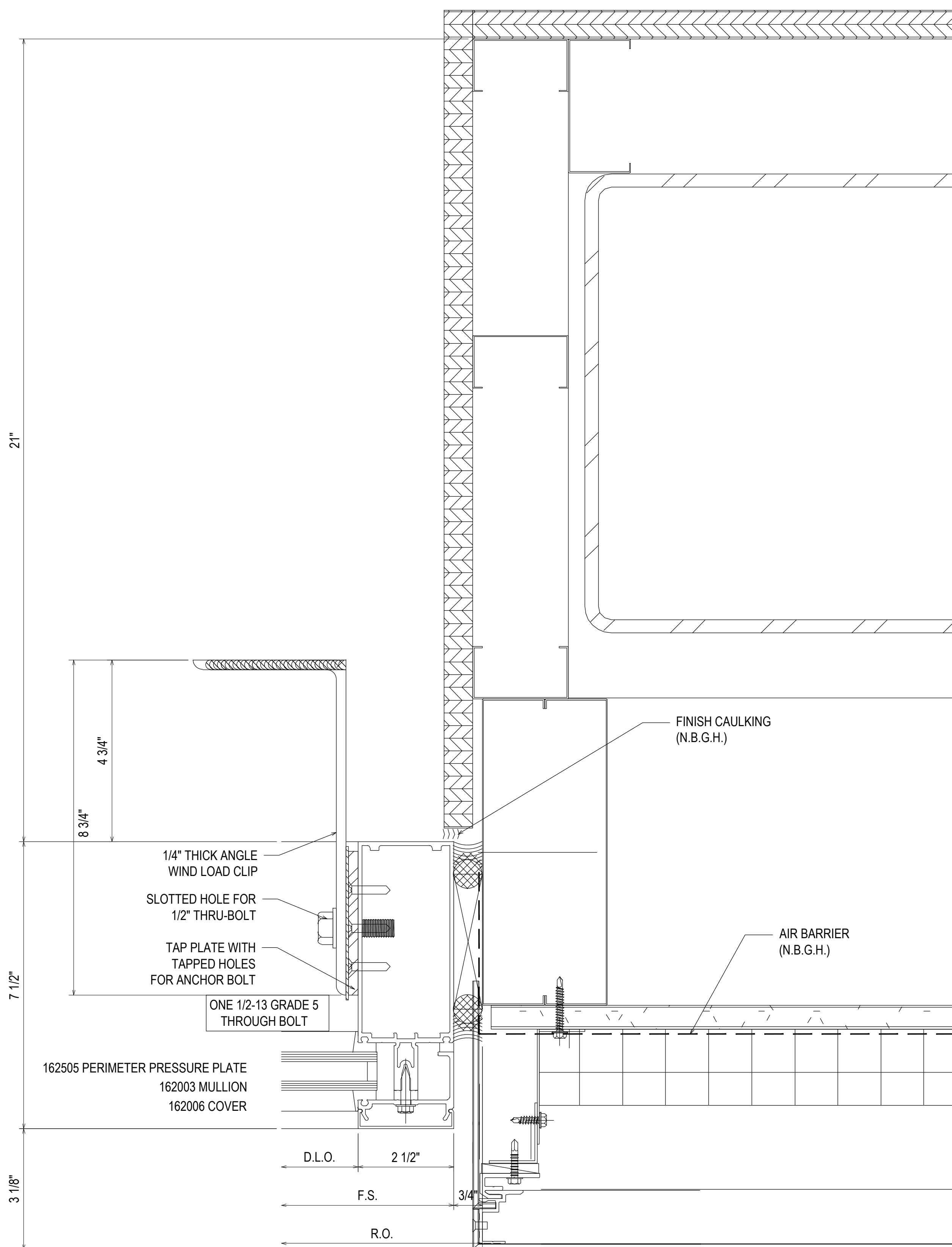
BETHEL HANBERRY ELEMENTARY SCHOOL
 EXTERIOR SUBMITTAL
 125 BONEY ROAD, BLYTHEWOOD, SC 29016

GRAHAM-HODGE ASSOCIATES INC.

JOB #
 20-018

DRAWN BY:	DATE:
RA	04.23.21
CHECKED BY:	DATE:
EW	04.23.21

4.06



027850 INTERIOR/EXTERIOR WEATHERING

153
4.07
REF: A6/A133
CW12 - CW13 - CW14

027850 INTERIOR/EXTERIOR WEATHERING

154
4.07
REF: A6/A133
CW12 - CW13 - CW14

REV.	DESCRIPTION	DATE
1	1ST REVISION (RA)	06.19.21
2	2ND REVISION (ENGINEERING)	06.08.21
3	3RD REVISION (BULLET RESISTANT)	08.03.21
NO	DESCRIPTION	

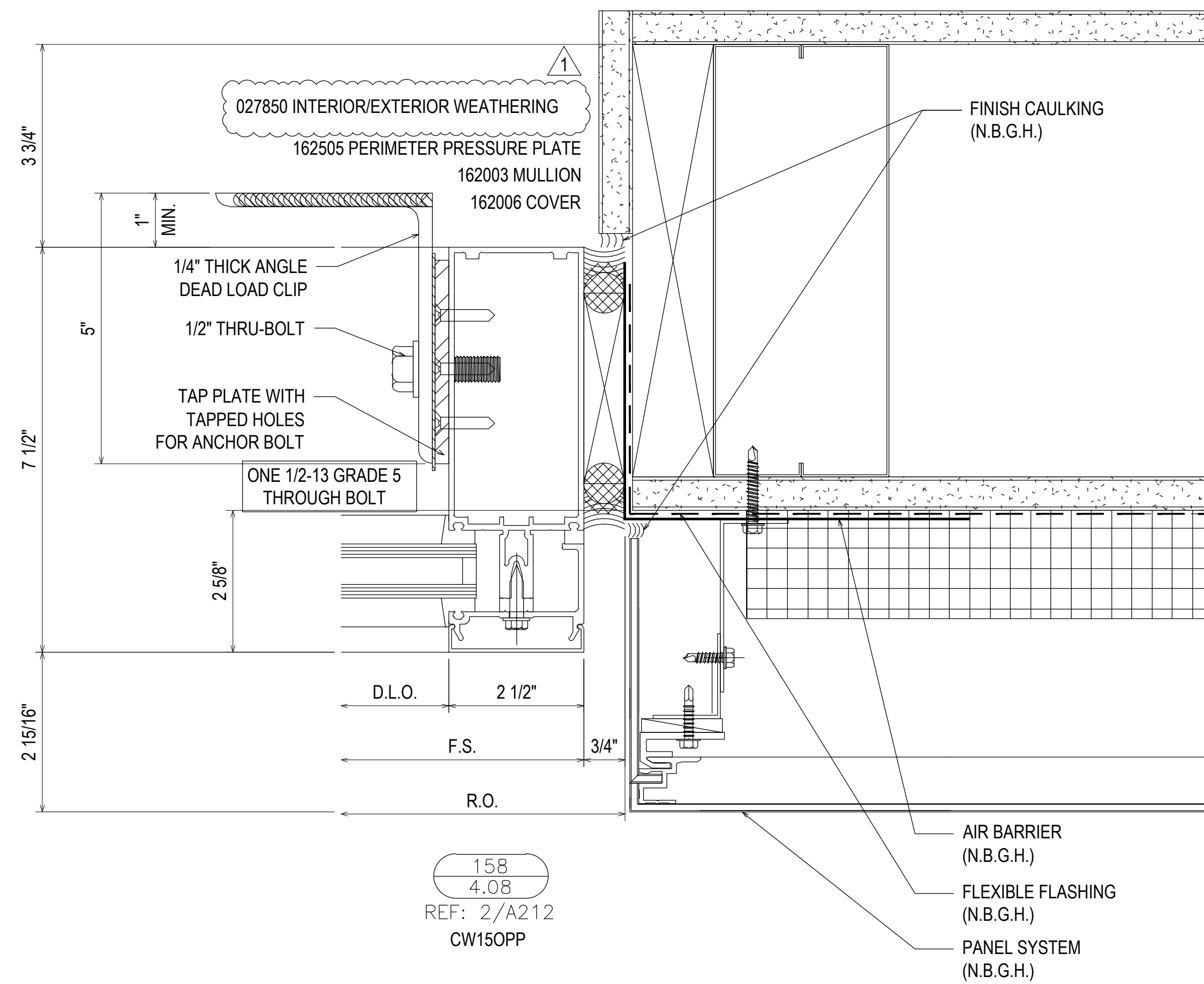
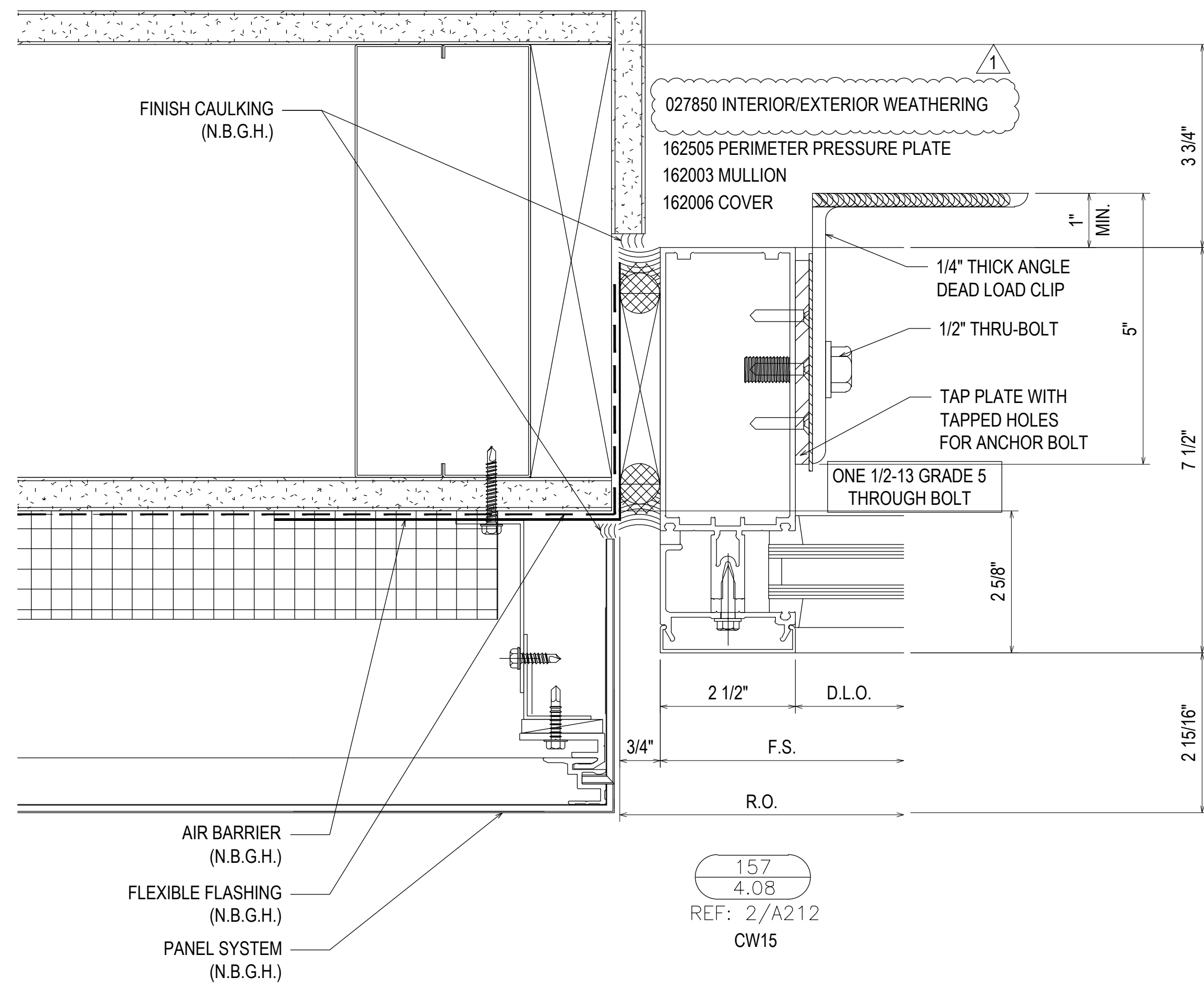
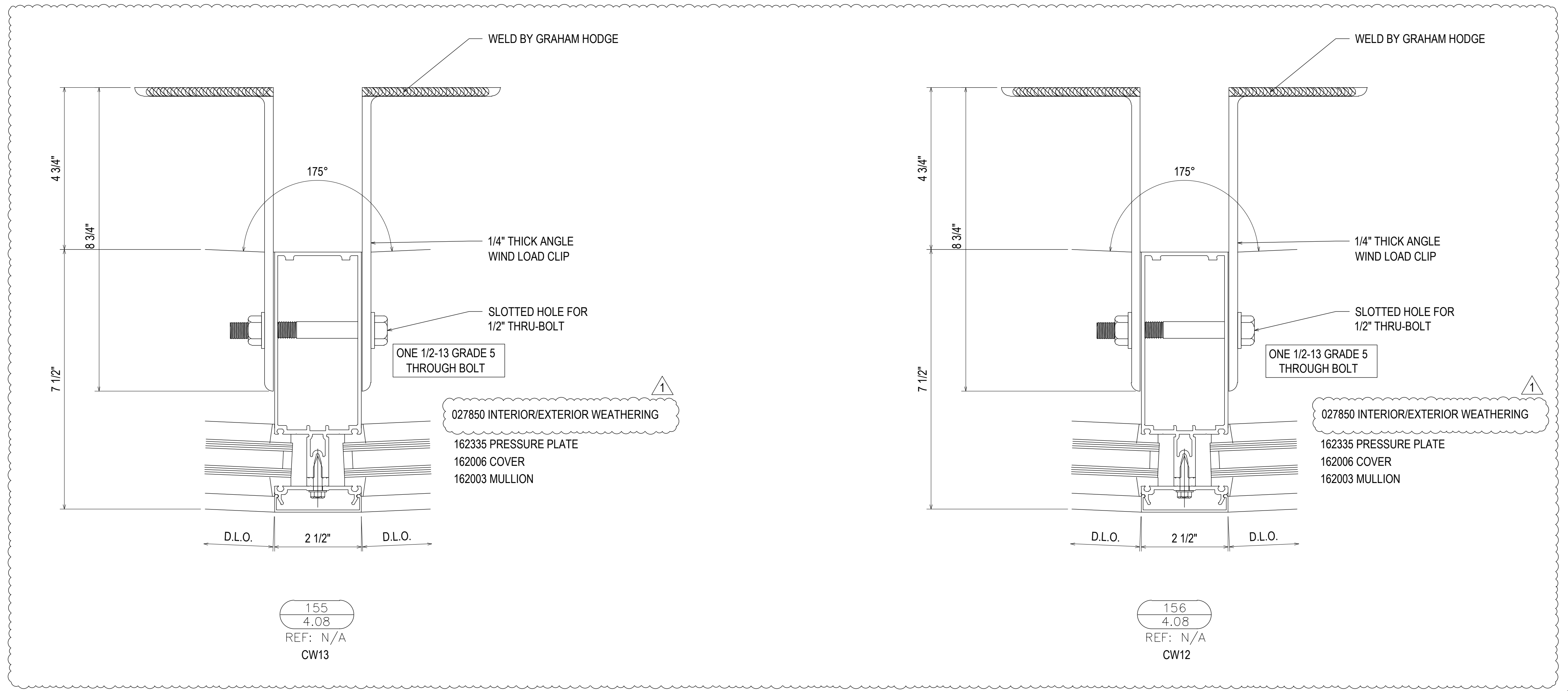
BETHEL HANBERRY ELEMENTARY SCHOOL
EXTERIOR SUBMITTAL
 125 BONEY ROAD, BLYTHEWOOD, SC 29016

GRAHAM-HODGE ASSOCIATES INC.
 JOB #
 20-018

DRAWN BY:	DATE:
RA	04.23.21
CHECKED BY:	DATE:
EW	04.23.21

4.07

DRAWING SUBMISSION



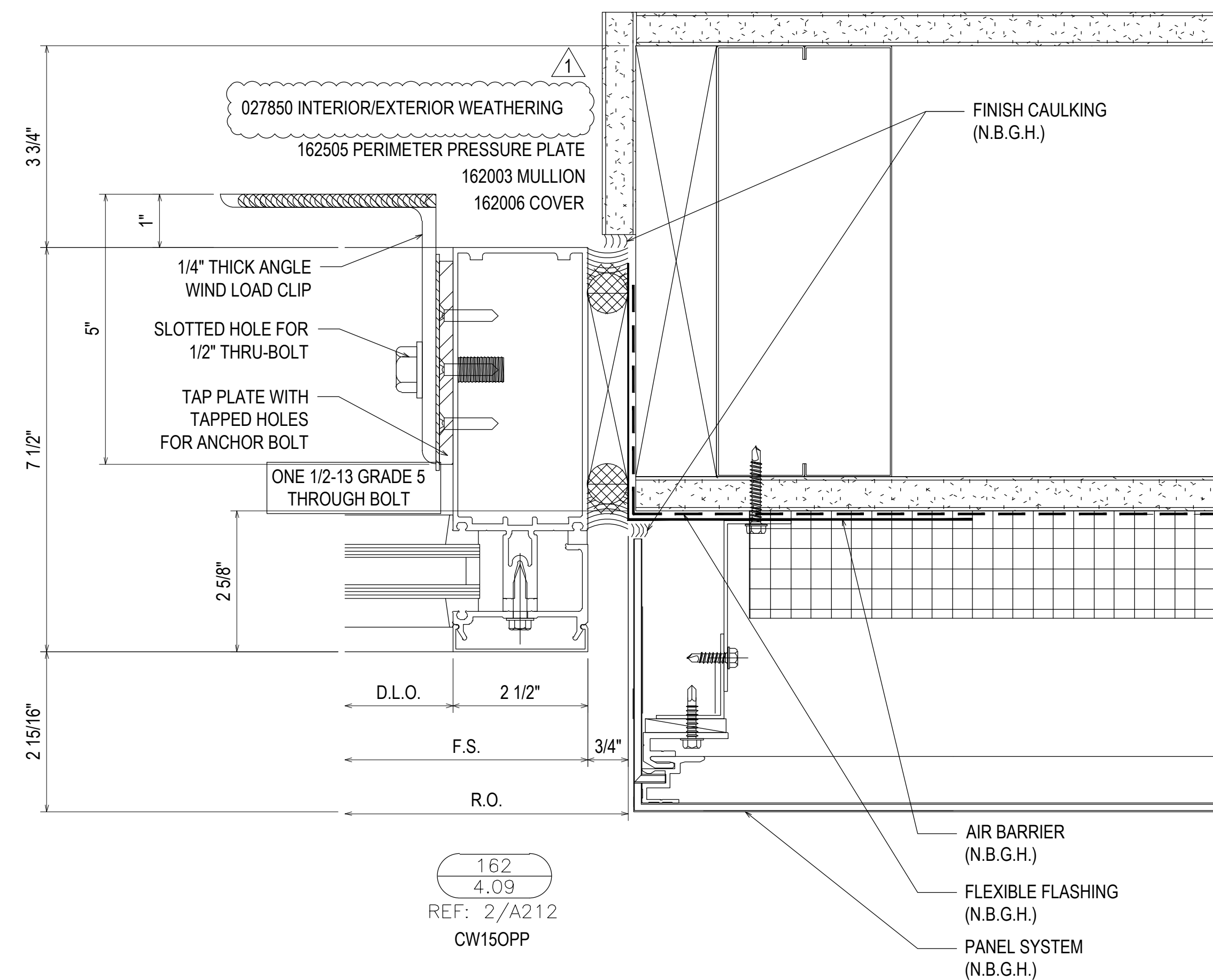
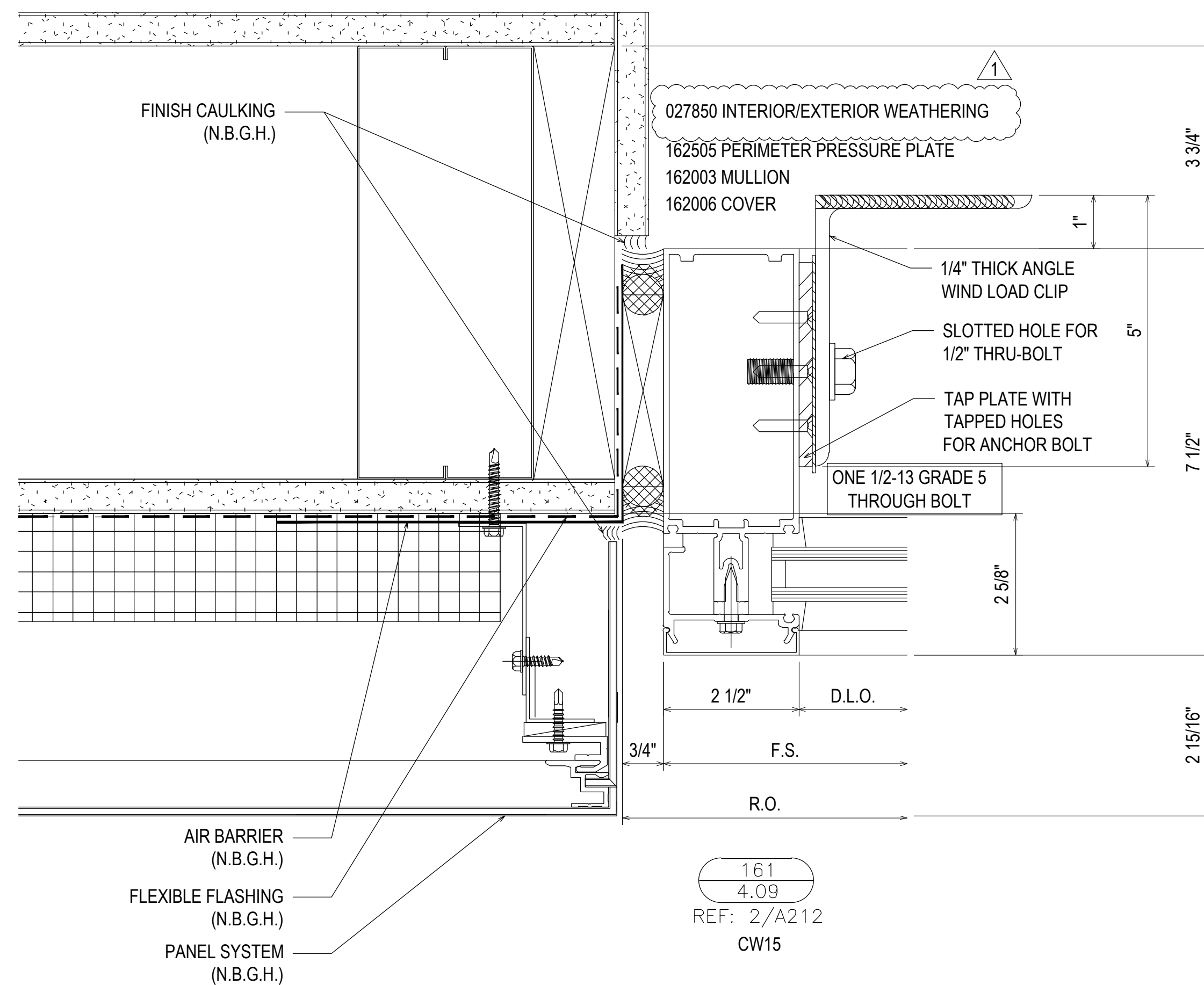
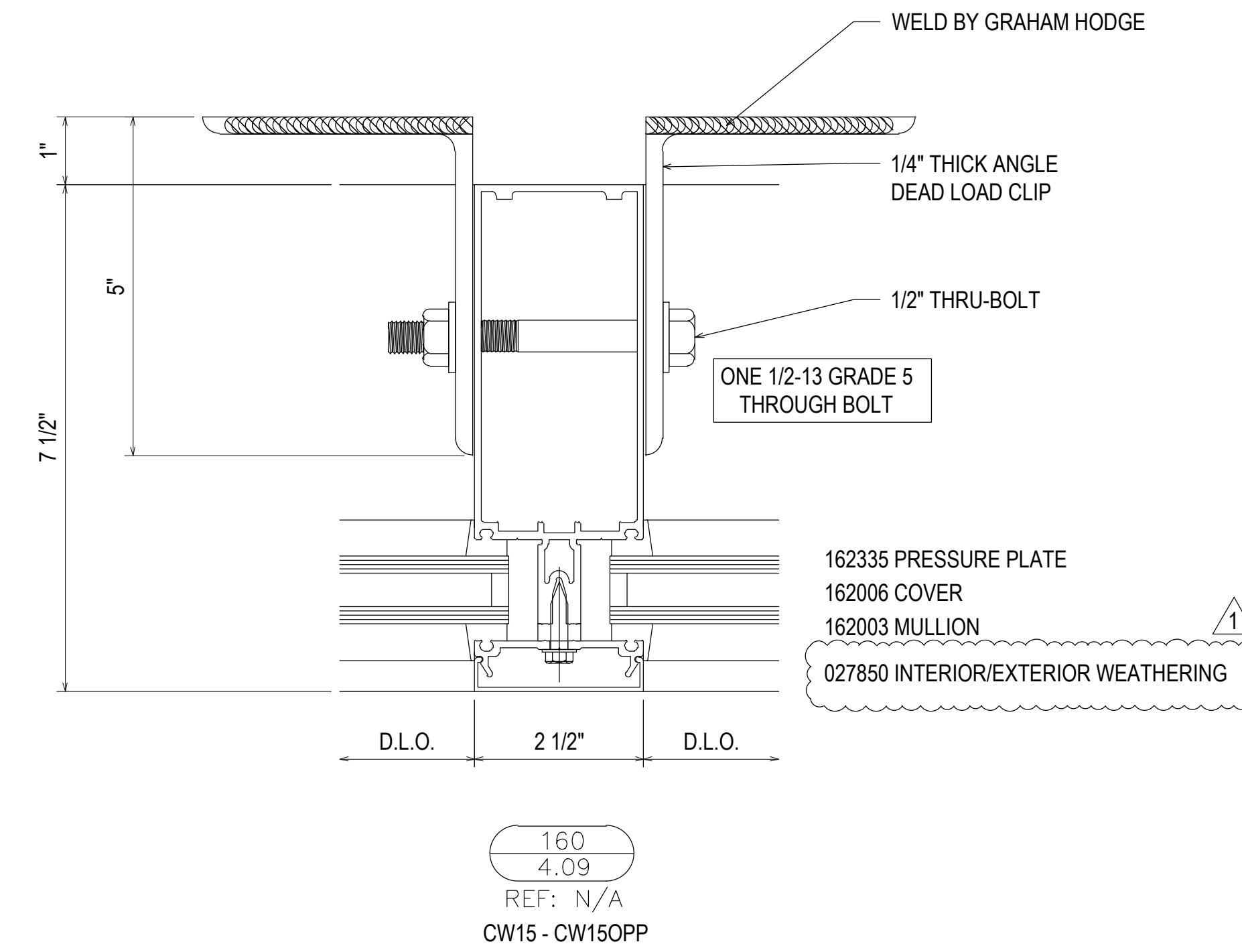
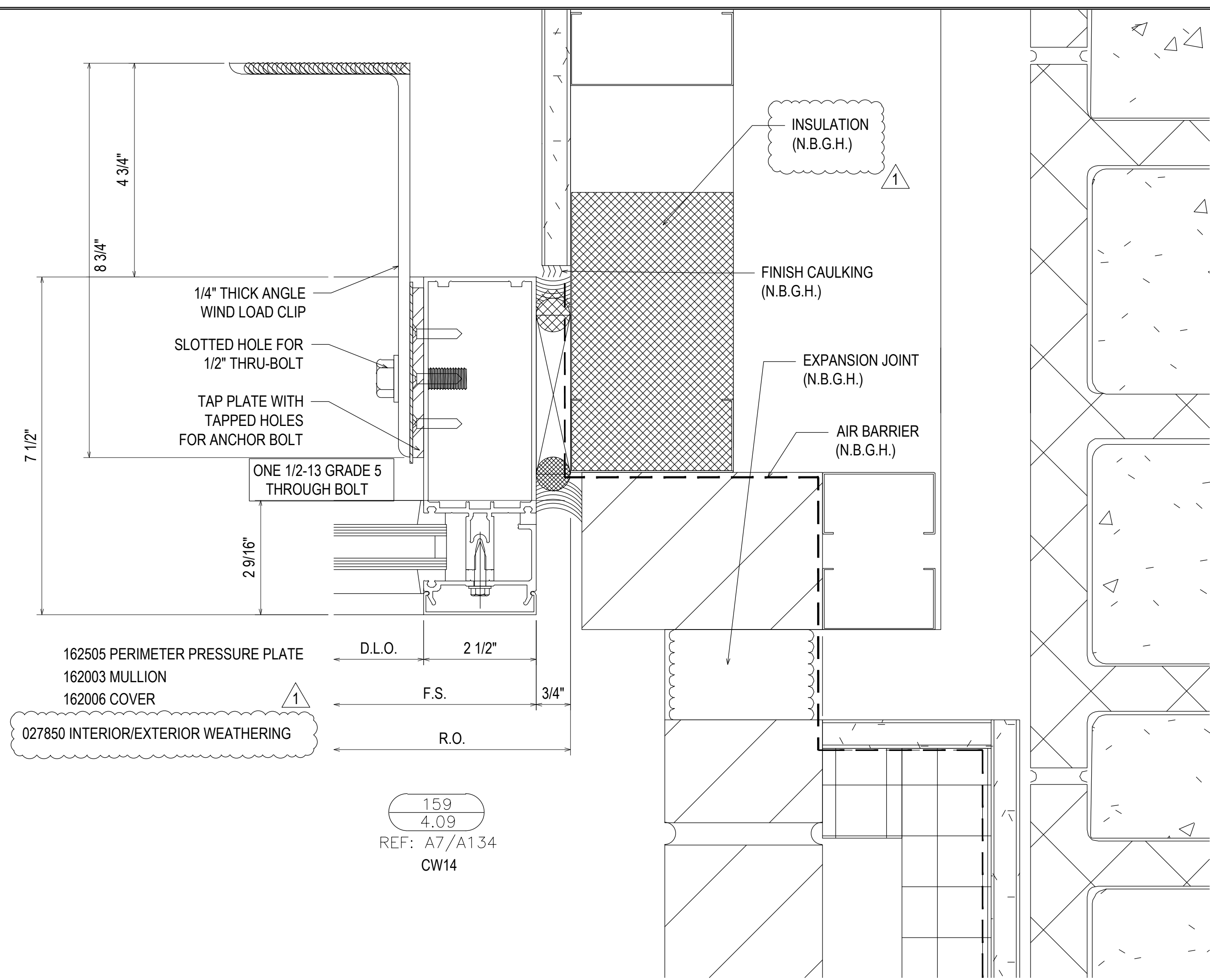
REV.	DESCRIPTION	DATE
1	1ST REVISION (RA)	06.19.21
2	2ND REVISION (ENGINEERING)	06.08.21
3	3RD REVISION (MULLION RESISTANT)	08.03.21
NO	DESCRIPTION	

BETHEL HANBERRY ELEMENTARY SCHOOL
EXTERIOR SUBMITTAL
 125 BONEY ROAD, BLYTHEWOOD, SC 29016

GRAHAM-HODGE ASSOCIATES INC.

JOB #
20-018

DRAWN BY:	DATE:
RA	04.23.21
CHECKED BY:	DATE:
EW	04.23.21



REV.	DESCRIPTION	DATE
1	1ST REVISION (RA)	06.19.21
2	2ND REVISION (ENGINEERING)	06.08.21
3	3RD REVISION (WELT RESISTANT)	08.03.21
NO	DESCRIPTION	

BETHEL HANBERRY ELEMENTARY SCHOOL
EXTERIOR SUBMITTAL
 125 BONEY ROAD, BLYTHEWOOD, SC 29016

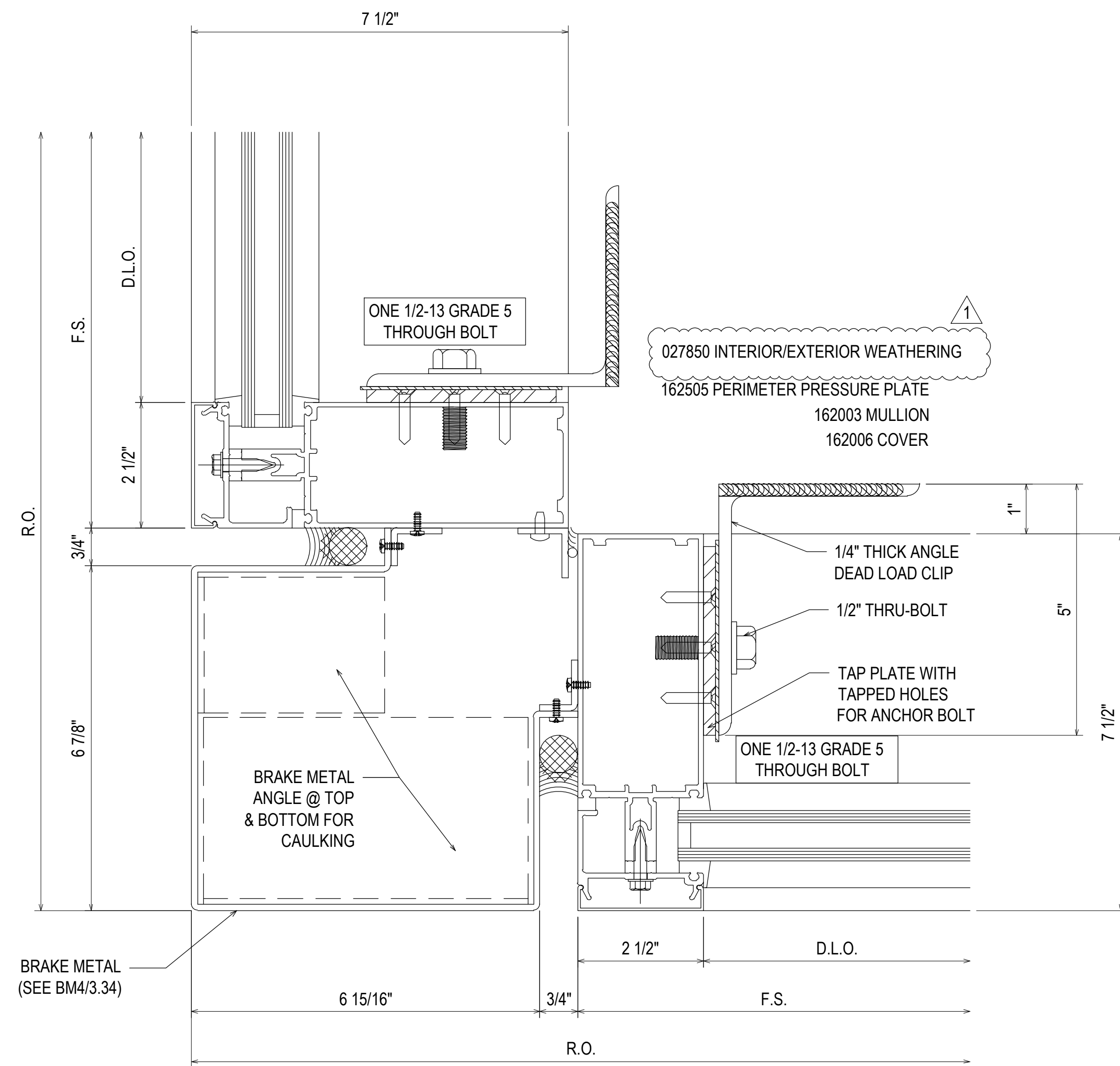
GRAHAM-HODGE
ASSOCIATES INC.

JOB #
20-018

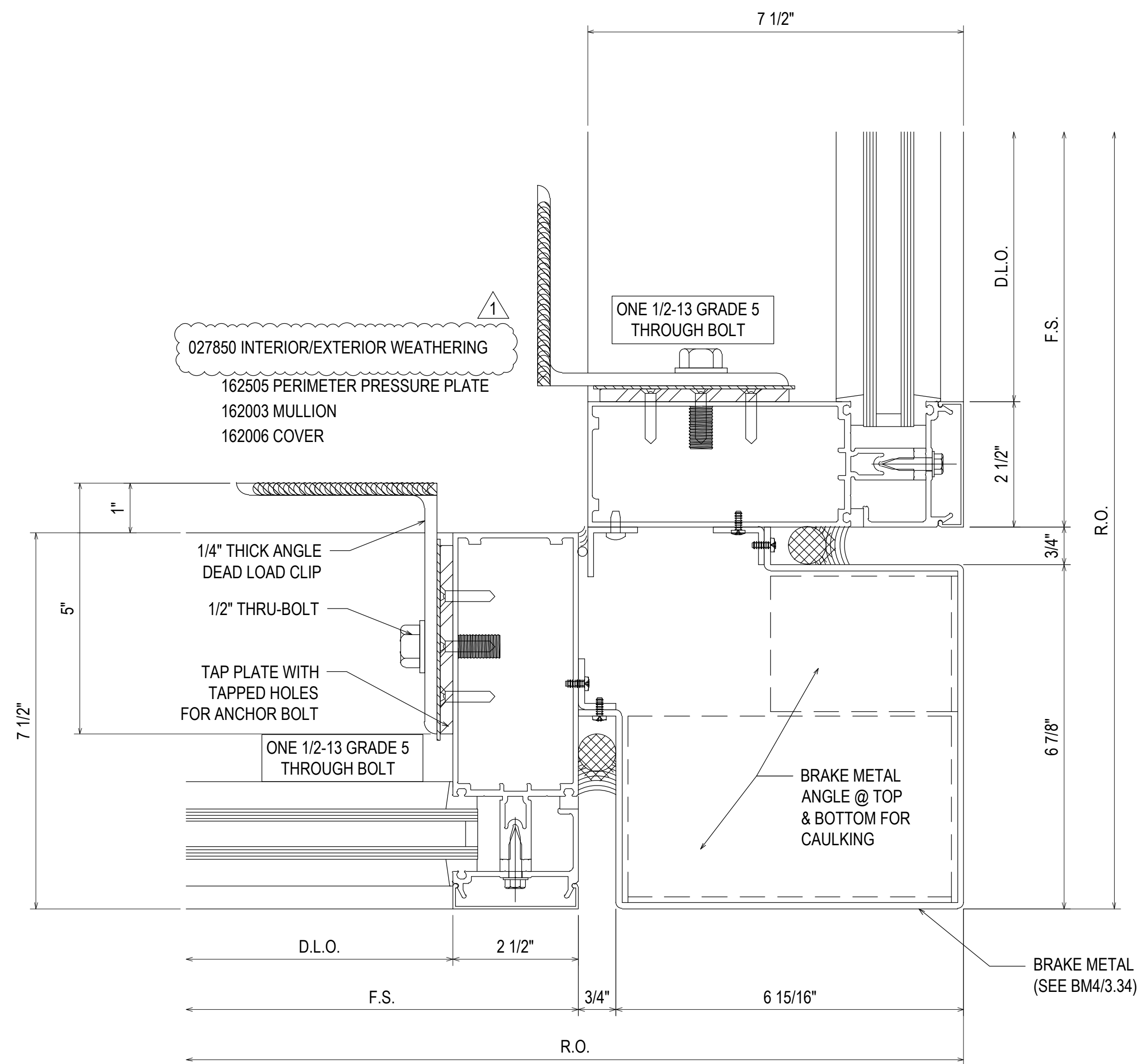
DRAWN BY:	DATE:
RA	04.23.21
CHECKED BY:	DATE:
EW	04.23.21

4.09

DRAWING SUBMISSION



163
4.10
REF: N/A
CW15OPP - CW16



164
4.10
REF: N/A
CW15 - CW160PP

REV.	DESCRIPTION	DATE
1	1ST REVISION (RA)	06.19.21
2	2ND REVISION (ENGINEERING)	06.08.21
3	3RD REVISION (BULLET RESISTANT)	08.03.21
NO	DESCRIPTION	

BETHEL HANBERRY ELEMENTARY SCHOOL
EXTERIOR SUBMITTAL
 125 BONEY ROAD, BLYTHEWOOD, SC 29016

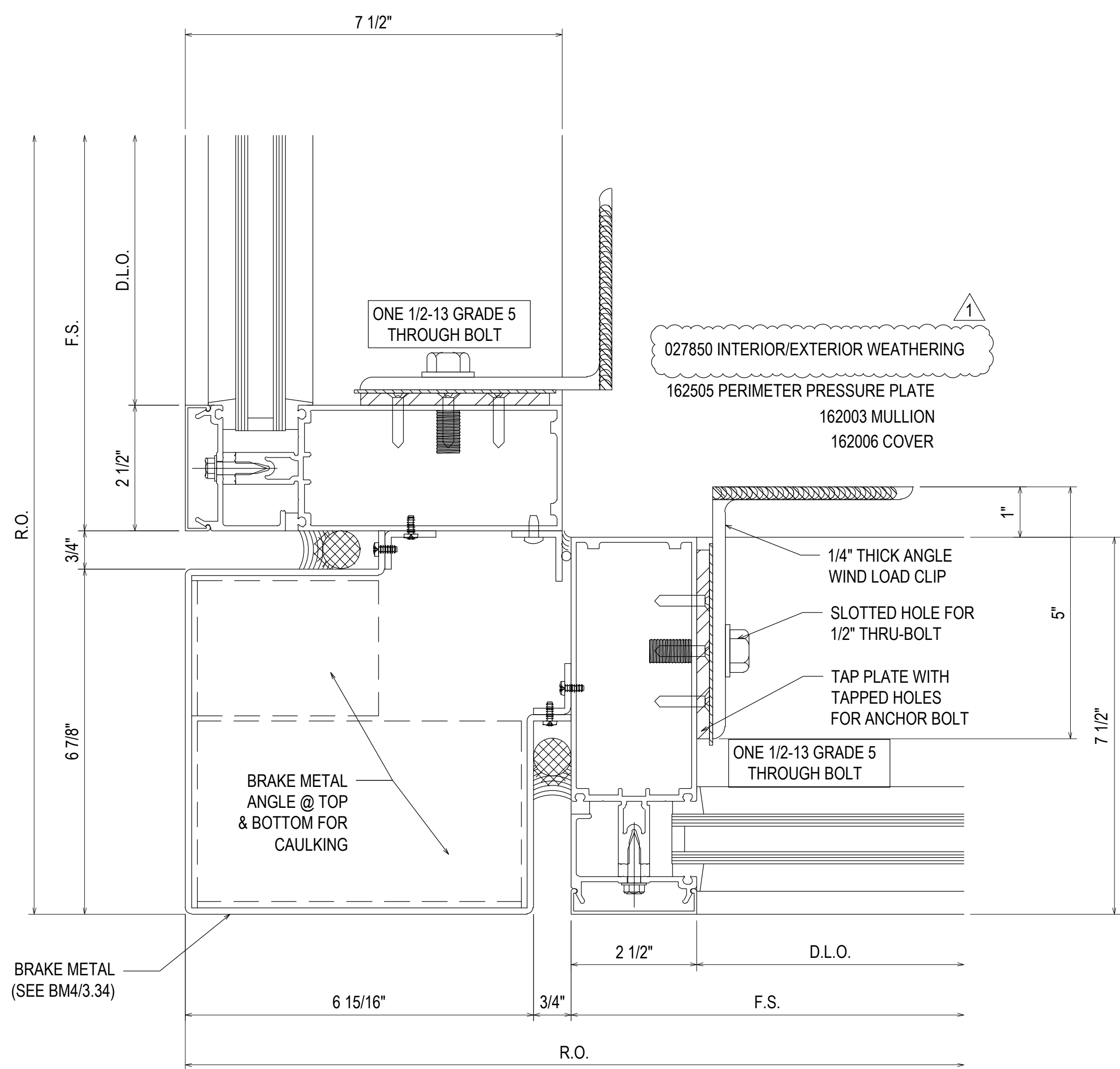


JOB #
20-018

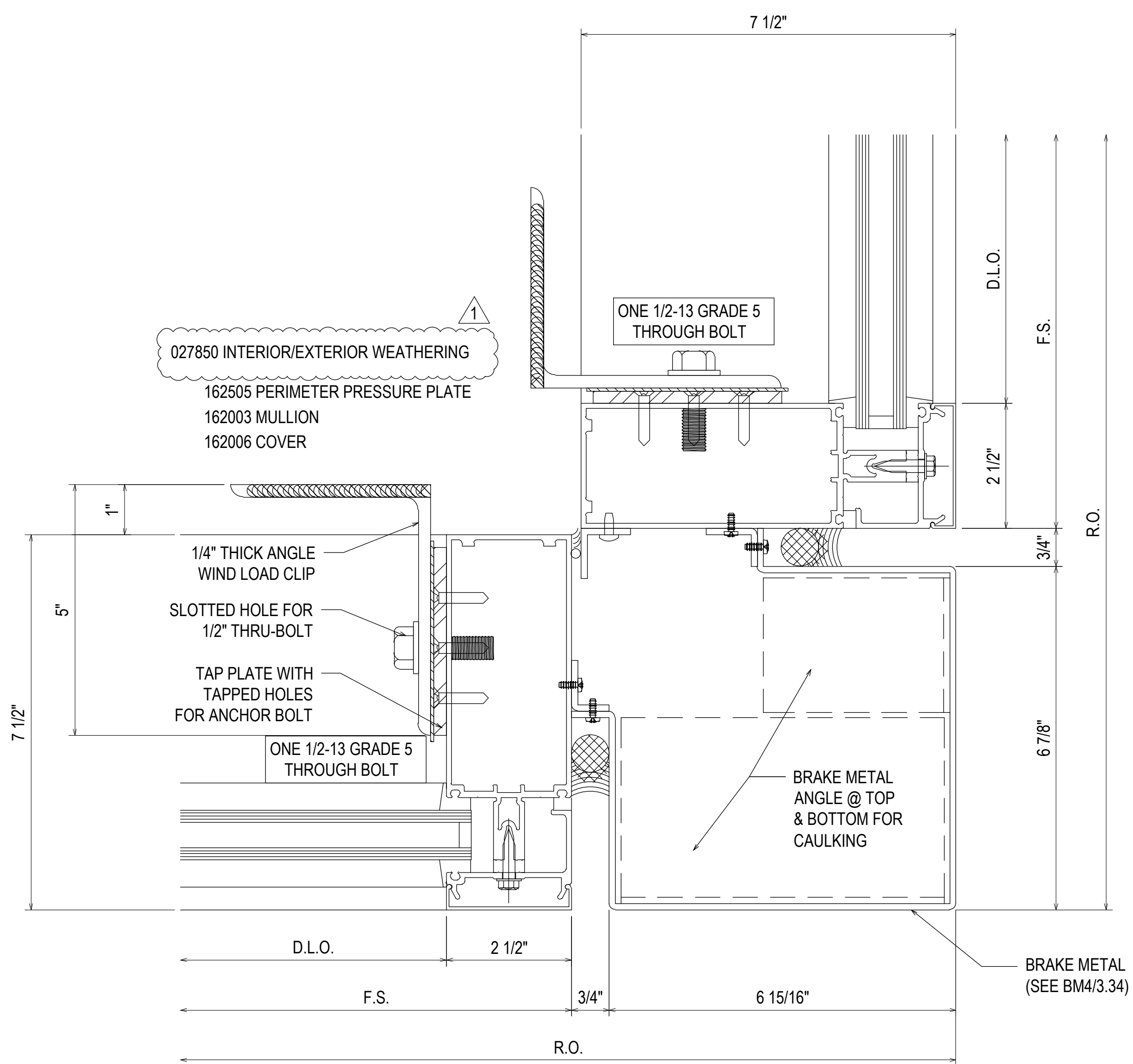
DRAWN BY:	DATE:
RA	04.23.21
CHECKED BY:	DATE:
EW	04.23.21

4.10

DRAWING SUBMISSION



165
4.11
REF: N/A
CW15OPP - CW16



166
4.11
REF: N/A
CW15 - CW16OPP

REV.	DESCRIPTION	DATE
1	1ST REVISION (RA)	06.19.21
2	2ND REVISION (ENGINEERING)	06.08.21
3	3RD REVISION (BULLET RESISTANT)	08.03.21
NO	DESCRIPTION	

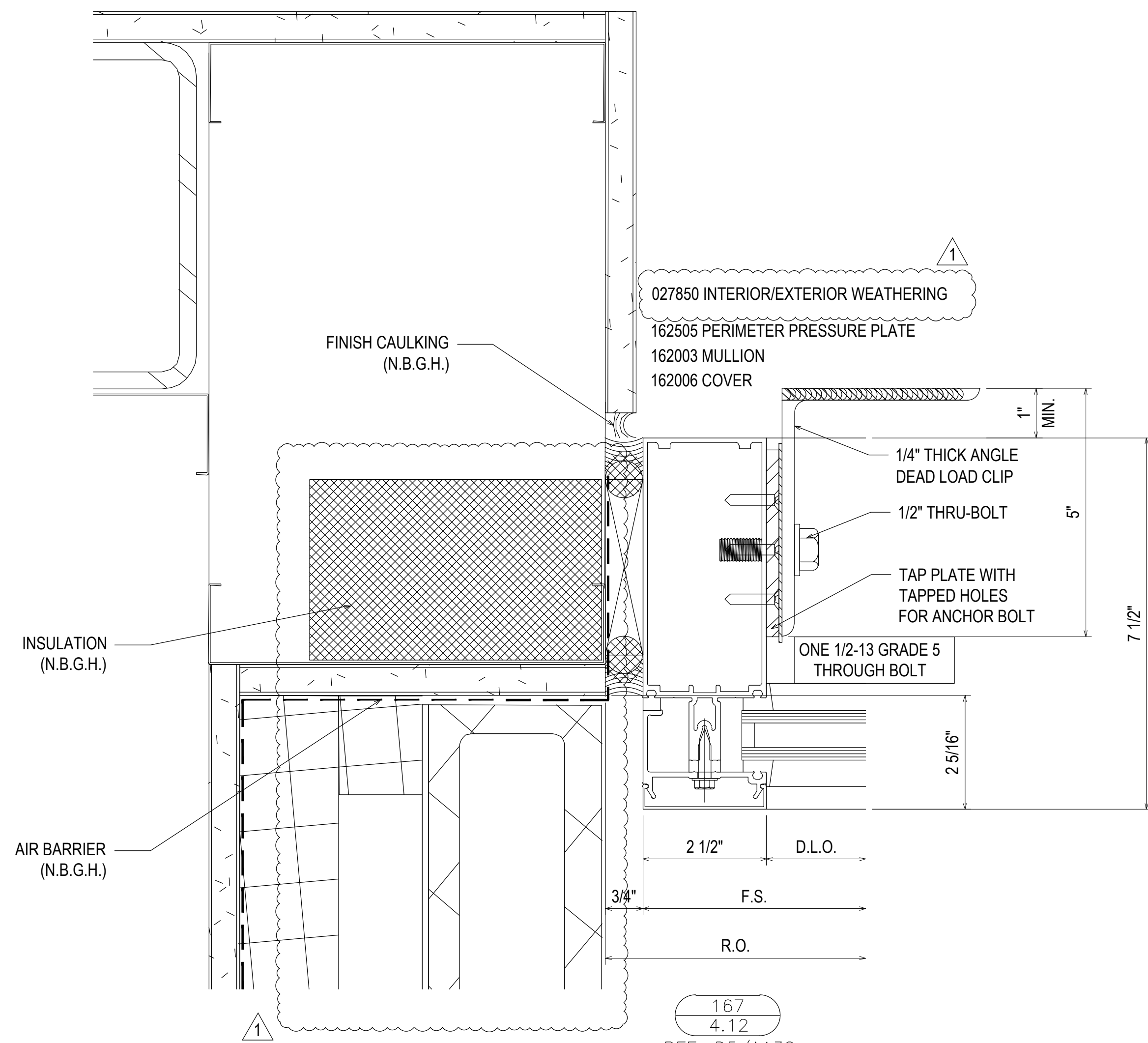
BETHEL HANBERRY ELEMENTARY SCHOOL
EXTERIOR SUBMITTAL
 125 BONEY ROAD, BLYTHEWOOD, SC 29016

GRAHAM-HODGE ASSOCIATES INC.

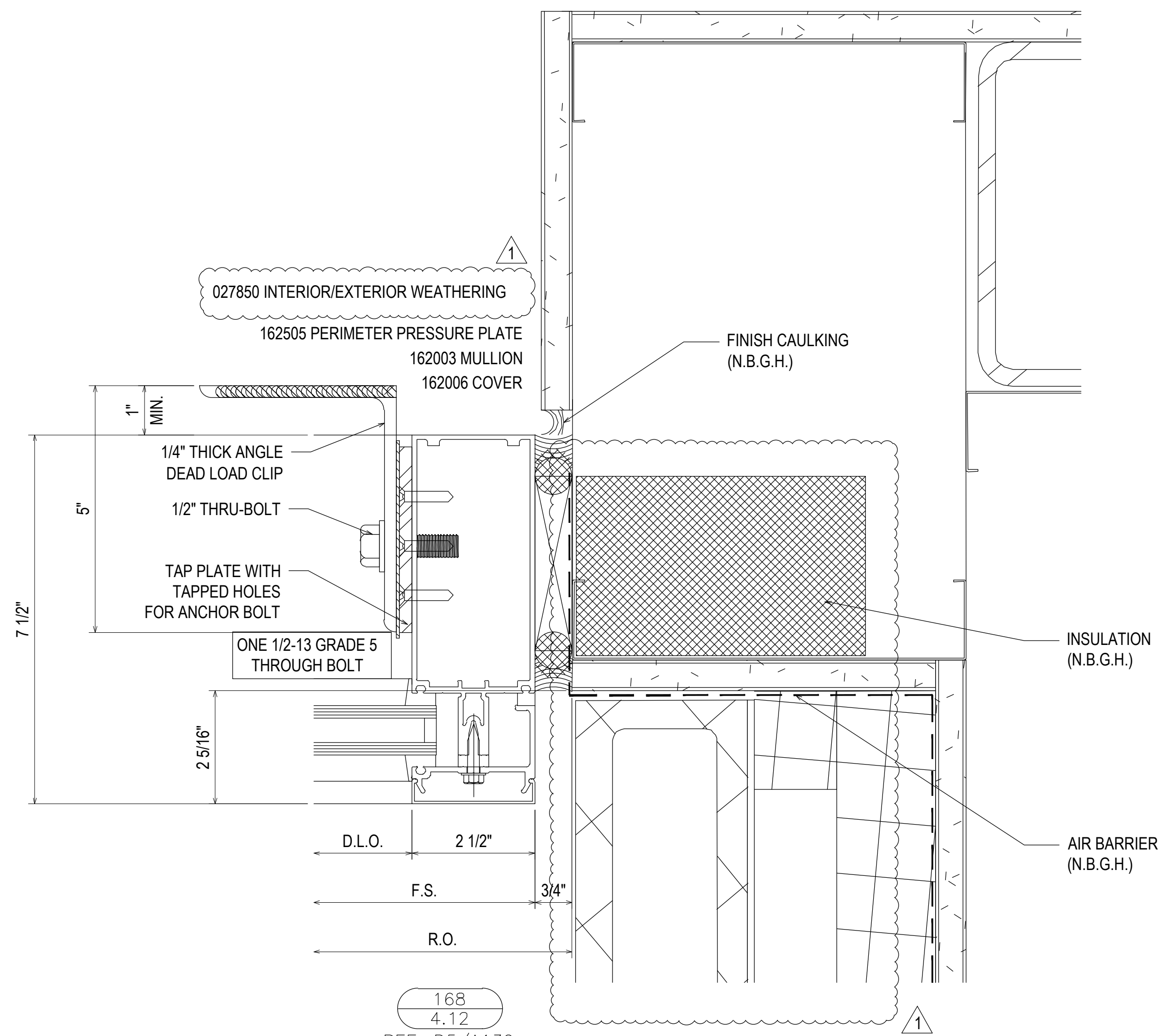
JOB #
20-018

DRAWN BY:	DATE:
RA	04.23.21
CHECKED BY:	DATE:
EW	04.23.21

4.11



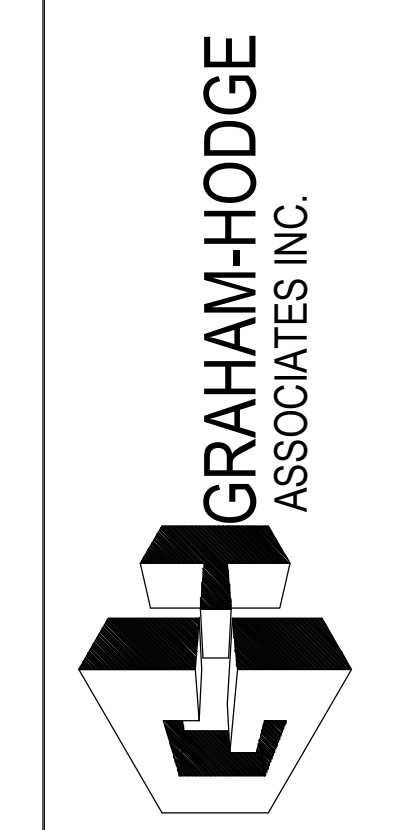
167
4.12
REF: D5/A132
CW16OPP



168
4.12
REF: D5/A132
CW16

REV	DESCRIPTION	DATE
1	1ST REVISION (RA)	06.19.21
2	2ND REVISION (ENGINEERING)	06.08.21
3	3RD REVISION (BULLET RESISTANT)	08.03.21
NO	DESCRIPTION	

BETHEL HANBERRY ELEMENTARY SCHOOL
EXTERIOR SUBMITTAL
 125 BONEY ROAD, BLYTHEWOOD, SC 29016

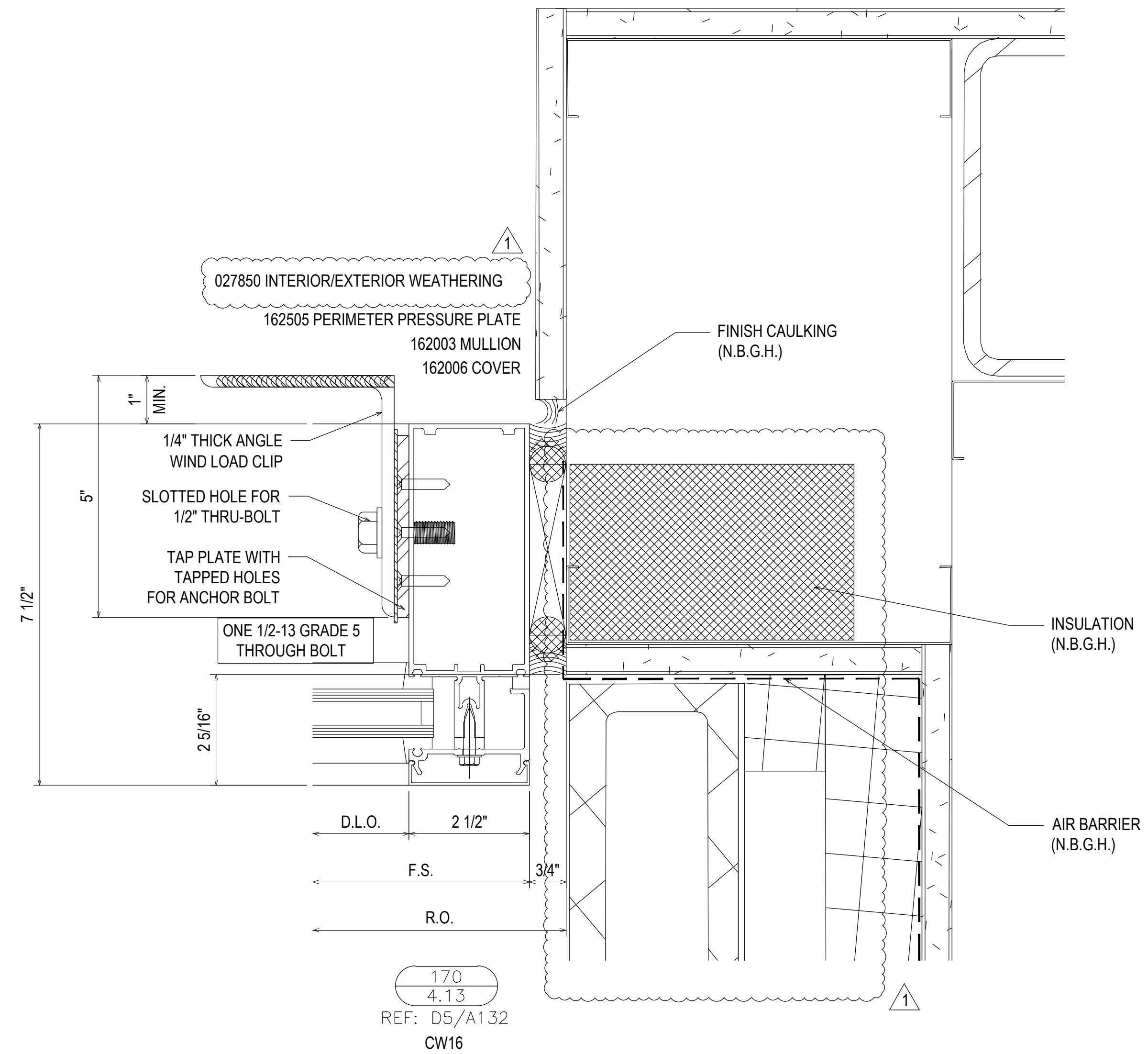
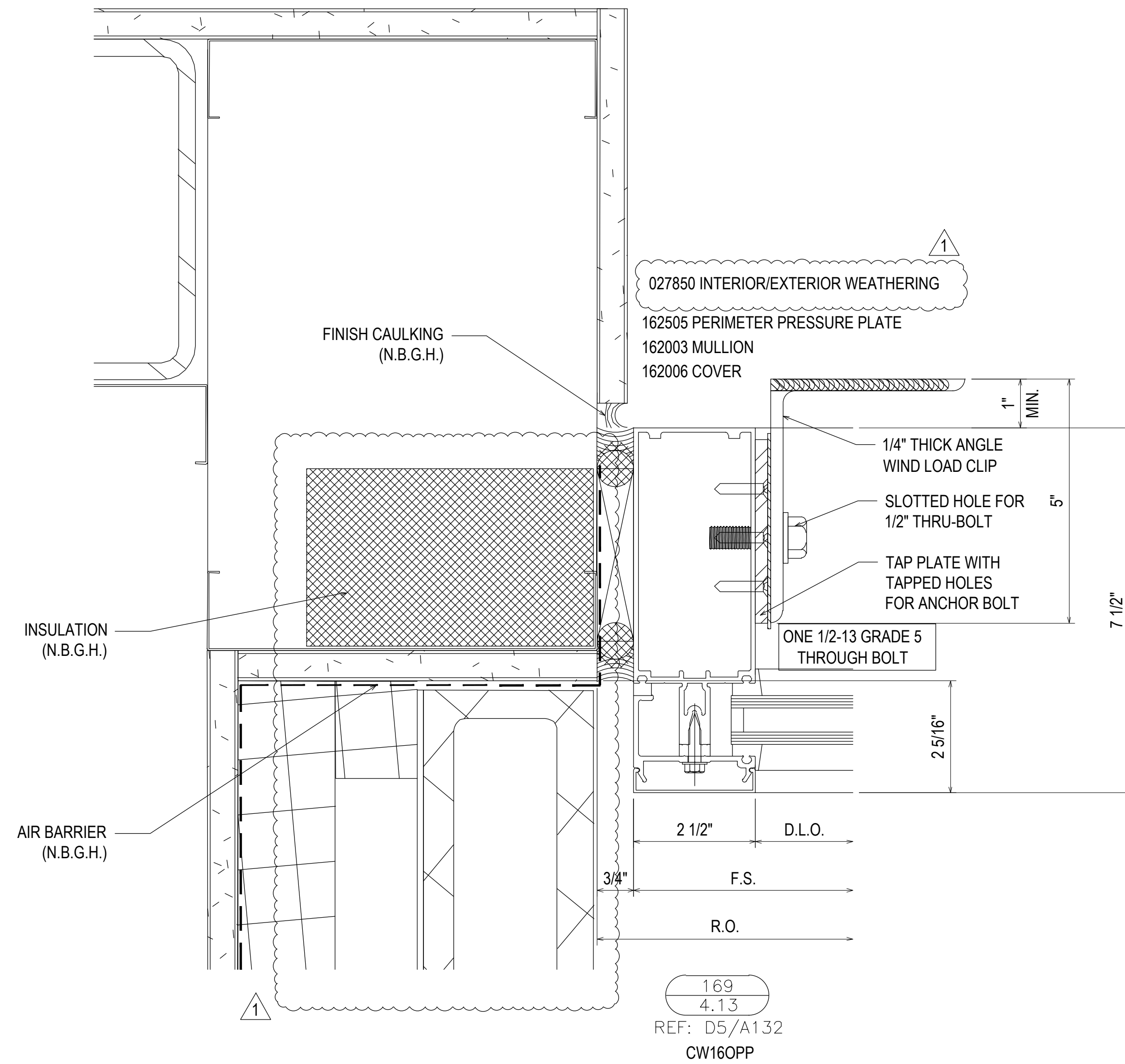


JOB #
20-018

DRAWN BY:	DATE:
RA	04.23.21
CHECKED BY:	DATE:
EW	04.23.21

4.12

DRAWING SUBMISSION



REV.	DESCRIPTION	DATE
1	1ST REVISION (RA)	06.19.21
2	2ND REVISION (ENGINEERING)	06.08.21
3	3RD REVISION (BULLET RESISTANT)	08.03.21
NO	DESCRIPTION	

BETHEL HANBERRY ELEMENTARY SCHOOL
EXTERIOR SUBMITTAL
 125 BONEY ROAD, BLYTHEWOOD, SC 29016



JOB #
20-018

DRAWN BY:	DATE:
RA	04.23.21
CHECKED BY:	DATE:
EW	04.23.21

4.13

DRAWING SUBMISSION